

# P2B918DEM

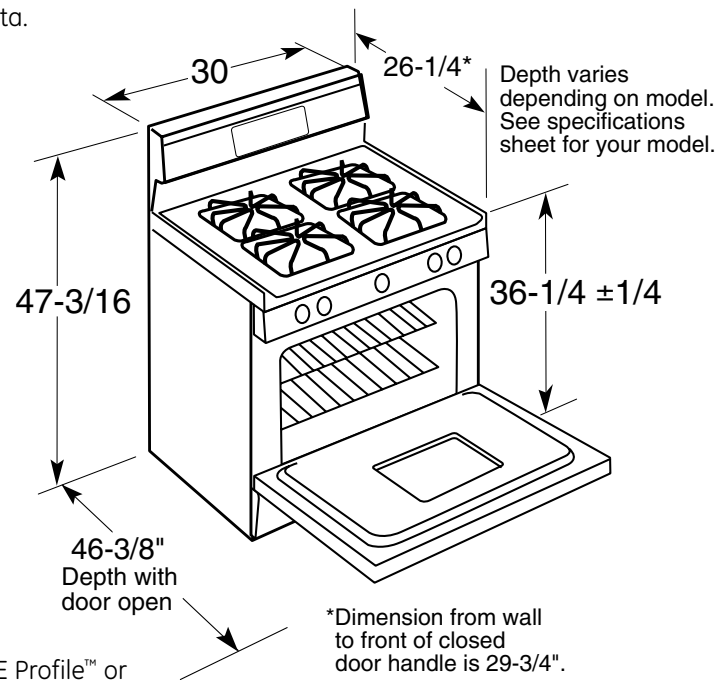
## GE Profile™ 30" Dual-Fuel Range with Baking Drawer

### Dimensions and Installation Information

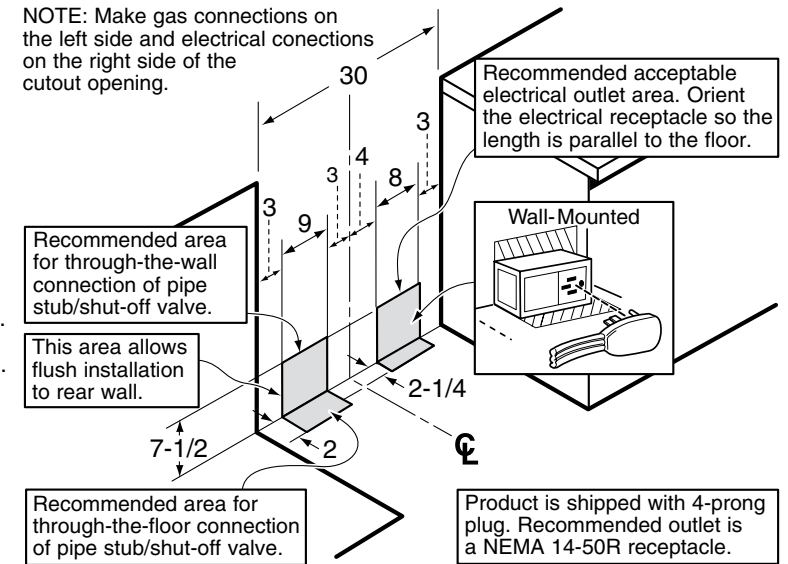
**Note:** Dimension from the wall to the front of the closed door handle is 29". Depth to front edge of cooktop 25-1/4". Factory set for Natural Gas. A set of LP orifices is included with each range for LP conversion.

**Installation Information:** Before installing, consult installation instructions packed with product for current dimensional data.

**Electrical Rating:** 240V; 60Hz; 40A



For answers to your Monogram®, GE Profile™ or GE® appliance questions, visit our website at [geappliances.com](http://geappliances.com) or call GE Answer Center® service, 800.626.2000.



All GE ranges are equipped with an Anti-Tip device. The installation of this device is an important, required step in the installation of the range.

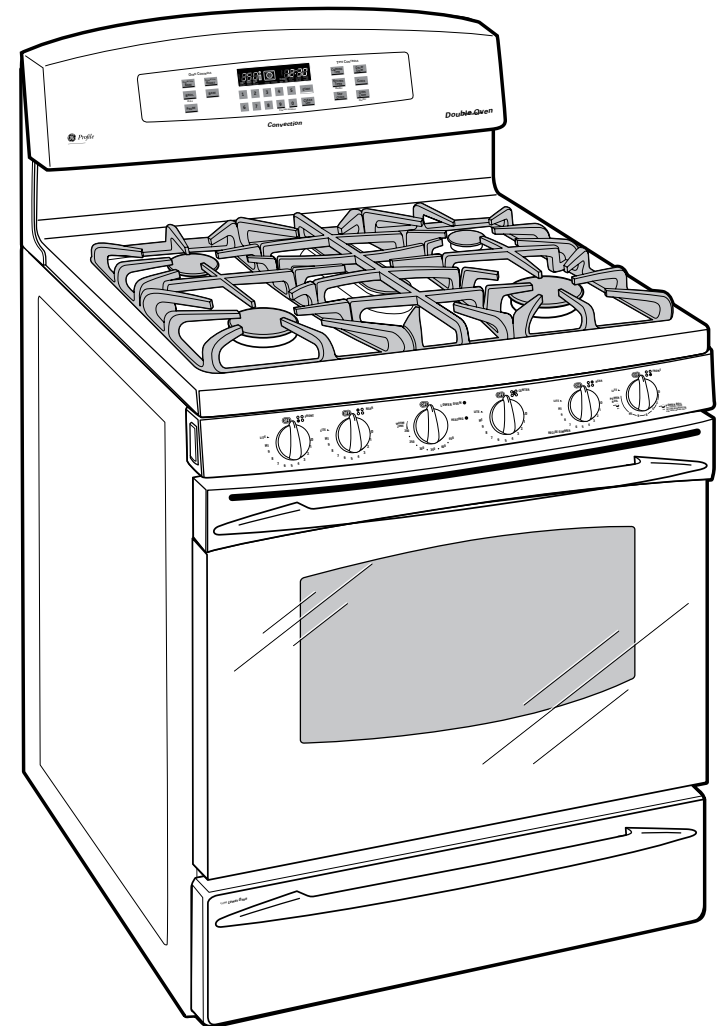


# P2B918DEM

## GE Profile™ 30" Dual-Fuel Range with Baking Drawer

### Features and Benefits

- A reversing fan circulates heat and air for evenly browned and baked foods
- Electric Convection Oven - Features electric heating elements and a fan that circulates air throughout the oven cavity, to deliver uniform and savory cooking results
- Self Clean Oven - Conveniently cleans the oven cavity without need of scrubbing
- Center oval burner - Fifth burner in the center of the cooktop, ideal for griddle or odd-size cookware
- Non-Stick Griddle - Placed over a fifth center burner the griddle provides a flat, non-stick surface for cooking and warming all types of foods
- Super-Large Oven Capacity - Provides an impressively large oven interior for cooking more dishes and large meals at once
- Deep Recessed Cooktop - Designed with a recessed surface to help contain spills and make cleaning easy
- QuickSet VI Glass Touch Oven Controls - A smooth glass design that is easy-to-operate and easy-to-clean
- Precise Simmer Burner - Offers the low setting of 600 BTUs, ensuring more temperature control for simmering
- Sealed Cooktop Burners - Eliminates the space between the burners and the cooktop to help contain spills and boil over liquids, ensuring easy cleanup
- Power Boil™ 17,000 BTU Burner - Delivers 17,000 BTUs of forceful heat for rapid boiling
- Model P2B918DEMWW - White on white
- Model P2B918DEMCC - Bisque on bisque
- Model P2B918DEMBB - Black on black



imagination at work