

PGB900SEM

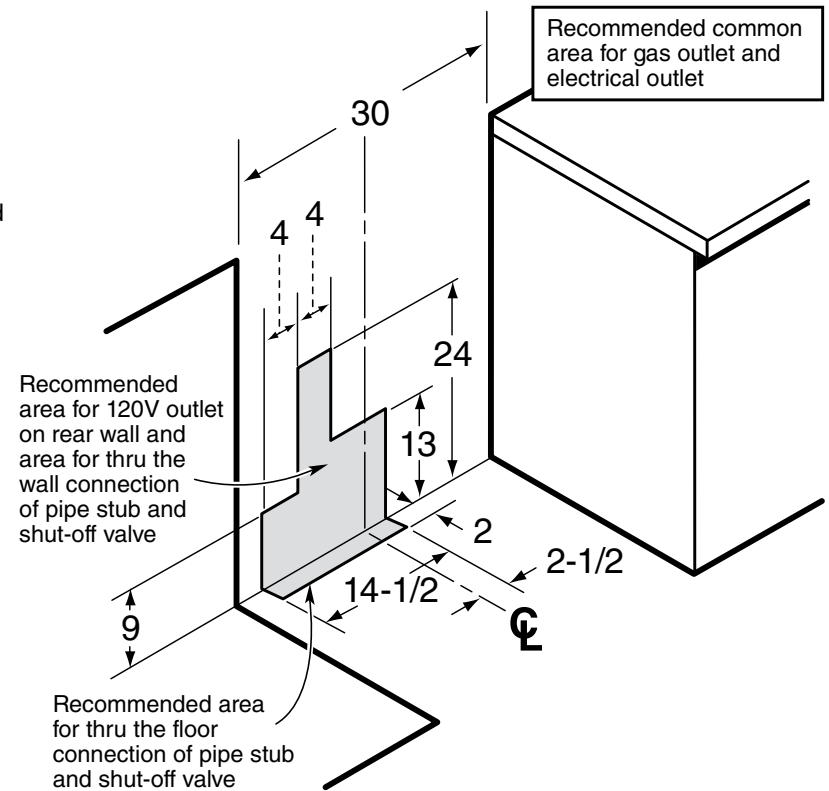
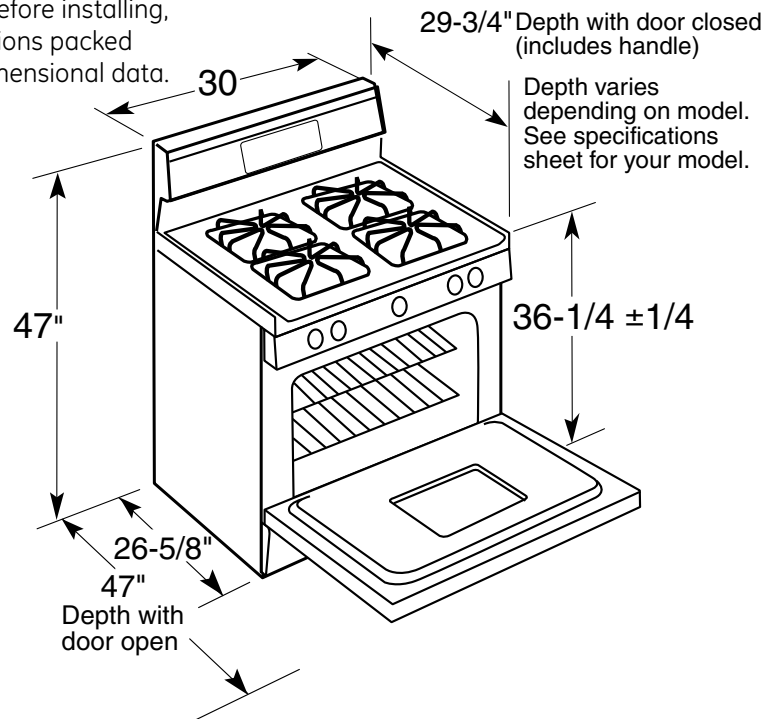
GE Profile™ 30" Free-Standing Gas Range

Dimensions and Installation Information (in inches)

***Note:** Dimension from the wall to the front of the closed door handle is 29". Depth to front edge of cooktop 25-1/4".

Electrical Rating: 120V, 60Hz, 5A

Installation Information: Before installing, consult installation instructions packed with product for current dimensional data.



For answers to your Monogram®, GE Profile™ or GE® appliance questions, visit our website at geappliances.com or call GE Answer Center® service, 800.626.2000.



All GE ranges are equipped with an Anti-Tip device. The installation of this device is an important, required step in the installation of the range.



Specification Revised 12/10

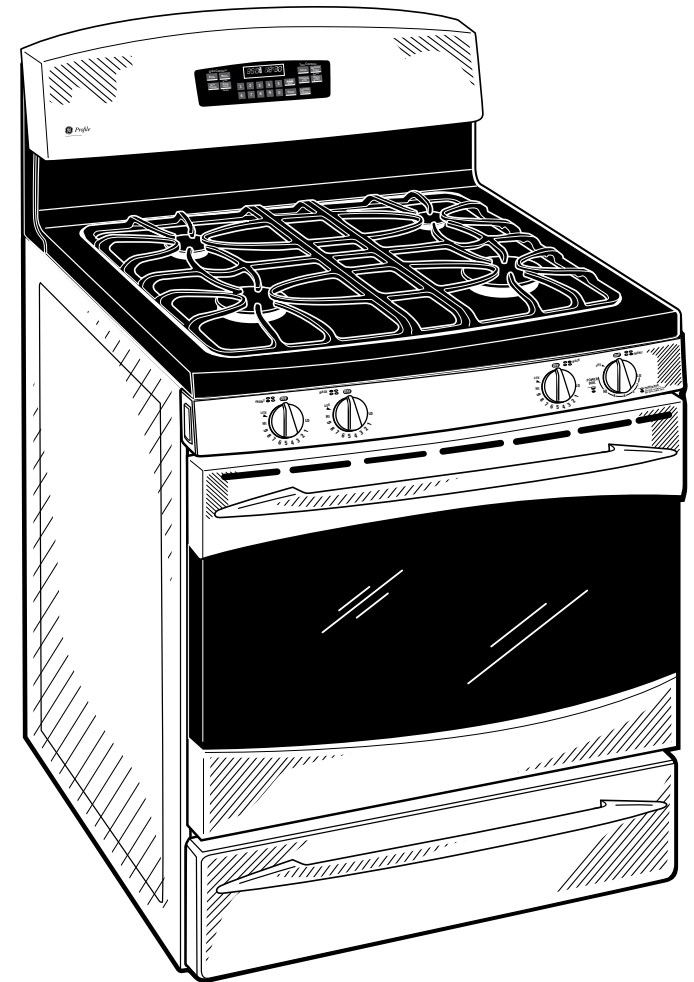
230583

PGB900SEM

GE Profile™ 30" Free-Standing Gas Range

Features and Benefits

- Self-Clean Oven - Conveniently cleans the oven cavity without need of scrubbing
- Extra-Large Oven Capacity - Provides a large oven interior ideal for cooking more items at once
- Deep Recessed Cooktop - Designed with a recessed surface to help contain spills and make cleaning easy
- Stainless Appearance Knobs - Deliver the sleek metallic color of stainless steel for a universally appealing look
- 15K Power Boil Burner - Provides 15,000 BTUs of forceful heat for rapid boiling
- Precise Simmer Burner - Offers a low setting of 600 BTUs, ensuring more temperature control for simmering
- QuickSet V Oven Controls - Feature an easy to use design that allows you to set precise cooking temperatures
- Continuous Grates - Provide a flat, sturdy surface allowing easy movement of pans between burners
- Model PGB900SEMSS - Stainless steel



imagination at work

Specification Revised 12/10

230583