

# Installation Instructions

## Twin Flex Wall Oven

PT9200

If you have questions, call GE Appliances at 800.GE.CARES (800.432.2737) or visit our website at: [GEAppliances.com](http://GEAppliances.com)

### BEFORE YOU BEGIN

Read these instructions carefully and completely.

- **IMPORTANT** – Save these instructions for local inspector's use.
- **IMPORTANT** – Observe all governing codes and ordinances.
- **Note to Installer** – Be sure to leave these instructions with Consumer.
- **Note to Consumer** – Keep these instructions for future reference.
- **Skill level** – Installation of this appliance requires a qualified installer or electrician.
- Proper installation is the responsibility of the installer.
- Product failure due to improper installation is not covered under Warranty.
- Product is for indoor use only.

**ATTENTION INSTALLER:** All electric wall ovens must be hard wired (direct wired) into an approved junction box. A plug and receptacle is NOT permitted on these products.

### FOR YOUR SAFETY:

#### **⚠ WARNING**

Before beginning the installation, switch power off at the service panel and lock the service disconnecting means to prevent power from being switched on accidentally. When the service disconnecting means cannot be locked, securely fasten a prominent warning device, such as a tag, to the service panel.

Be sure the oven is securely installed in a cabinet that is firmly attached to the house structure. Weight on the oven door could cause the oven to tip and result in injury. Never allow anyone to climb, sit, stand or hang on the oven door.

Make sure the wall coverings, counters and cabinets around the oven can withstand the heat (up to 200°F [93.3°C]) generated by the oven.

### MATERIALS YOU MAY NEED

Junction Box  
Wire Nuts  
Strain Relief Clamp for 1/2" Conduit  
String 72"

### TOOLS YOU MAY NEED

1/8" Drill Bit and Electric or Hand Drill  
Nut Driver 7/16"  
Phillips Screwdriver  
Wire Strippers

# Installation Instructions

## 1 REMOVE PACKAGING MATERIALS

Failure to remove packaging materials could result in damage to the appliance. Remove all packing parts from oven, racks and heating elements. Remove protective film and labels on the outer door. Also, remove plastic on trims and panel, all tape around the oven. Open oven door and remove literature pack and oven racks. Be sure to place all literature, Owner's Manual, Installations, etc. in a safe place for future reference. Remove the bottom trim from the top of the oven. It will be installed at the end of the installation process. The trim is wrapped separately and taped to the top of the unit.

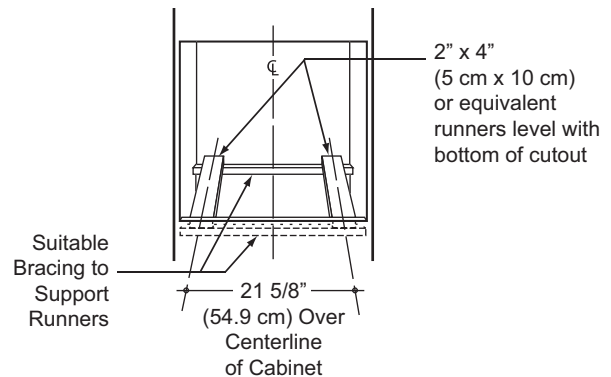
## 2 PREPARE THE OPENING

If the cabinet does not have a solid bottom, two braces or runners must be installed to support the weight of the oven. For Twin Flex Wall Ovens, the runners and braces must support 220 lbs (99 kg).

**NOTE:** If marks, blemishes or the cutout opening are visible above the installed oven, it may be necessary to add wood shims under the runners and front trim until the marks or opening are covered.

**CAUTION** Users may be burned when using an oven mounted too high. The recommended mounting height is based on a 5 ft tall user.

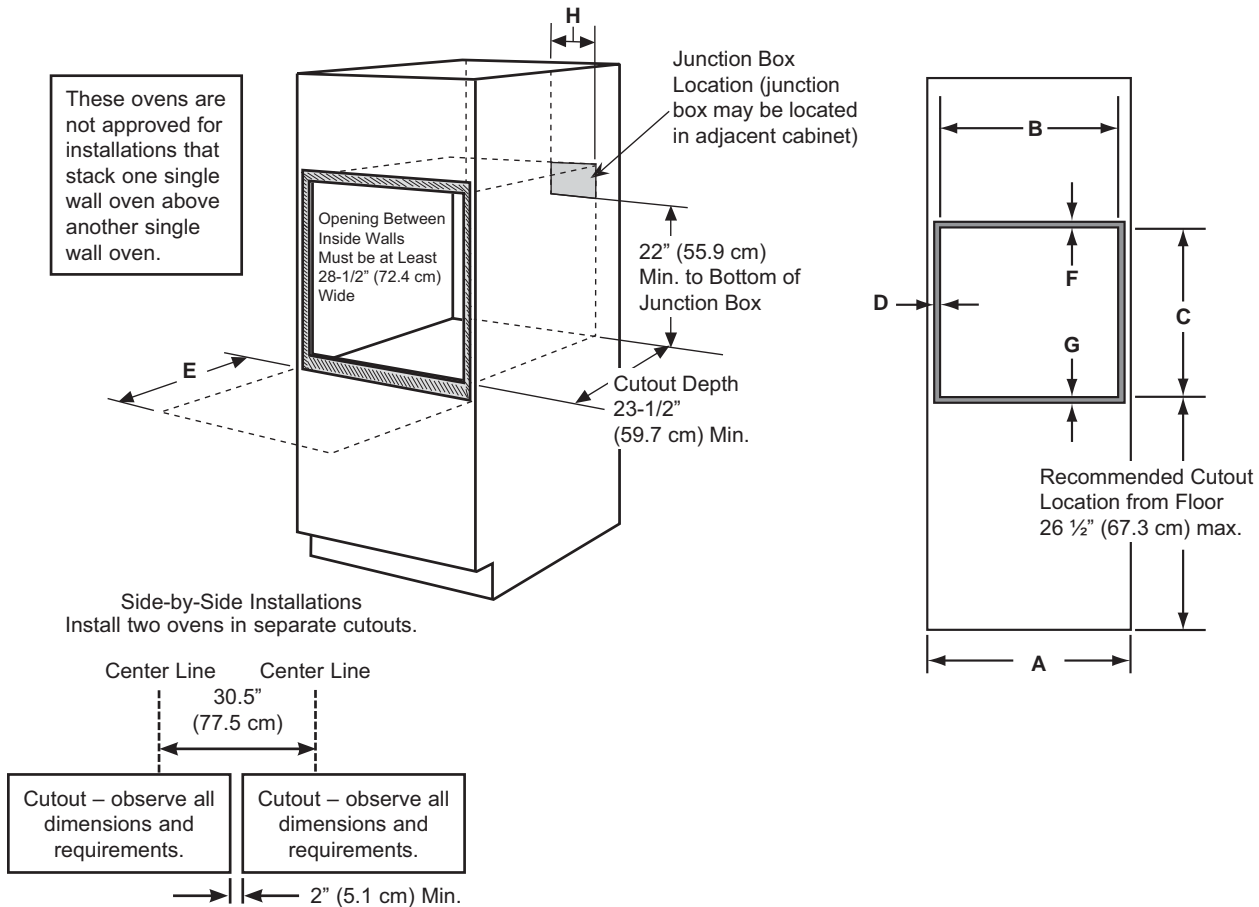
**NOTE:** If the cabinet does not have a front frame and the sides are less than 3/4" (1.9 cm) thick, shim both sides equally to establish the cutout width.



# Installation Instructions

## 2 A CUTOUT FOR TWIN FLEX WALL OVEN IN WALL CABINET

**NOTE:** If the cabinet does not have a front frame and the sides are less than  $\frac{3}{4}$ " (1.9 cm) thick, shim both sides equally to establish the cutout width.



Dimension	Dimension Description	30" Twin Flex Wall Oven
A	Cabinet Width	30" (76.2 cm)
B	Cutout Width	28 1/2" (72.4 cm) min. 28 5/8" (72.7 cm) max.
C	Cutout Height	27 1/4" (69.2 cm) min 27 5/16" (69.4 cm) max.
D	Clearance from cutout - side edges*	11/16" (1.75 cm)
E	Clearance to Adjacent Corners, Drawers, Walls, etc., When Door Is Open	15" (38.1 cm) min.
F	Clearance from cutout - top*	1" (2.5 cm) min.
G	Clearance from cutout - bottom*	1 1/4" (3.2 cm)
H	Junction Box Location	9 1/2" (24.1 cm) max.

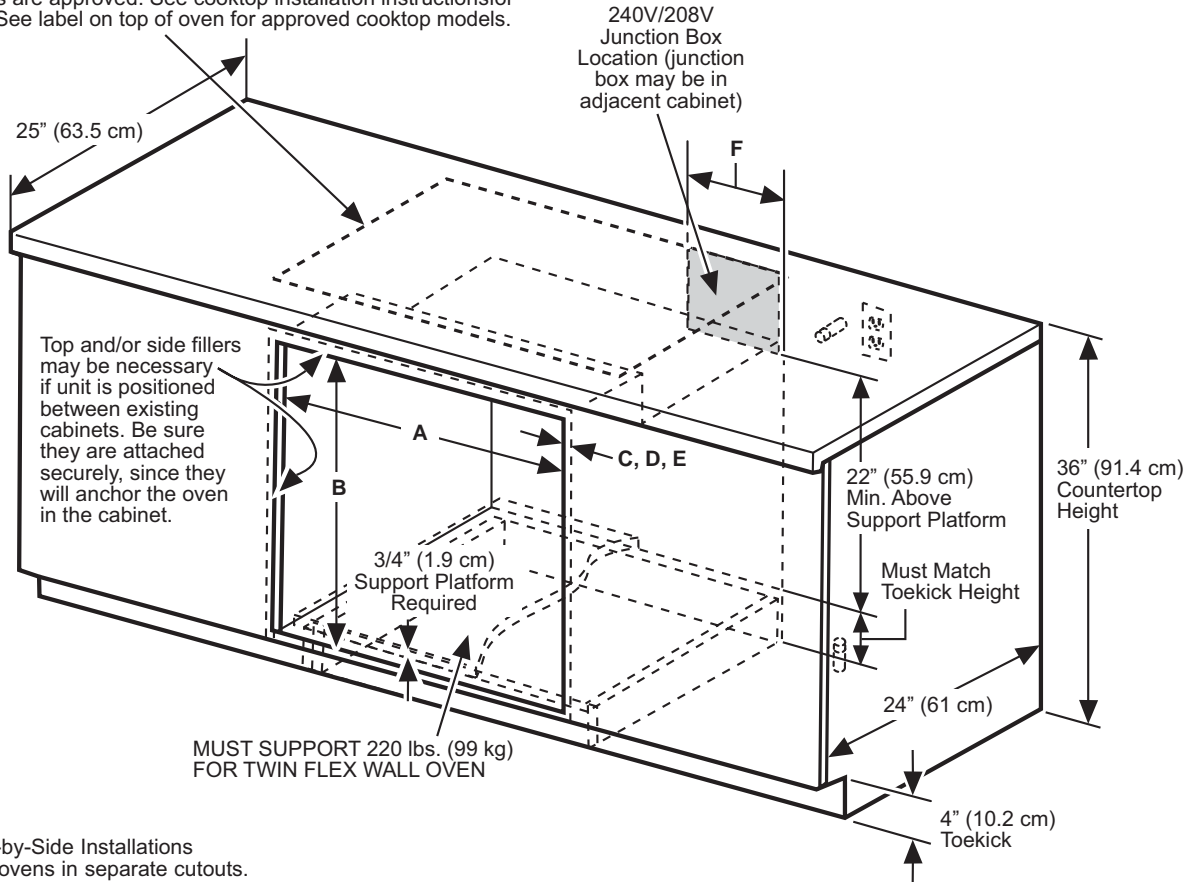
\* Refers to minimum clearance required for wall oven installation and does not reflect actual product dimensions.

# Installation Instructions

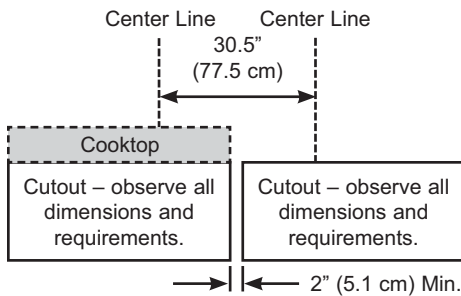
## 2 B CUTOUT FOR TWIN FLEX WALL OVEN UNDER COUNTER

**NOTE:** These ovens are only approved to be installed under the specific models as labeled on the unit.

Only some electric cooktops may be installed over this oven. No gas cooktops are approved. See cooktop installation instructions for cutout size. See label on top of oven for approved cooktop models.

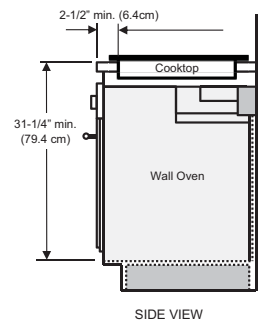


Side-by-Side Installations  
Install two ovens in separate cutouts.



**NOTE:** One cooktop may be centered over either oven in the side-by-side installation.

**IMPORTANT:** Maintain a minimum distance of 31-1/4" from the top surface of the countertop to the wall oven platform to ensure that the cooktop and wall oven do not interfere with each other (see picture).



Dimension	Dimension Description	30" Twin Flex Wall Oven
A	Cabinet Width	28 1/2" (72.4 cm) min. 28 5/8" (72.7 cm) max.
B	Cutout Height	27 1/4" (69.2 cm) min. 27 5/16" (69.4 cm) max.
C	Clearance from cutout - top*	1" (2.5 cm)
D	Clearance from cutout - bottom*	1 1/4" (3.2 cm)
E	Clearance from cutout - side edges*	11/16" (1.75 cm)
F	Junction Box Location	9 1/2" (24.1 cm) max.

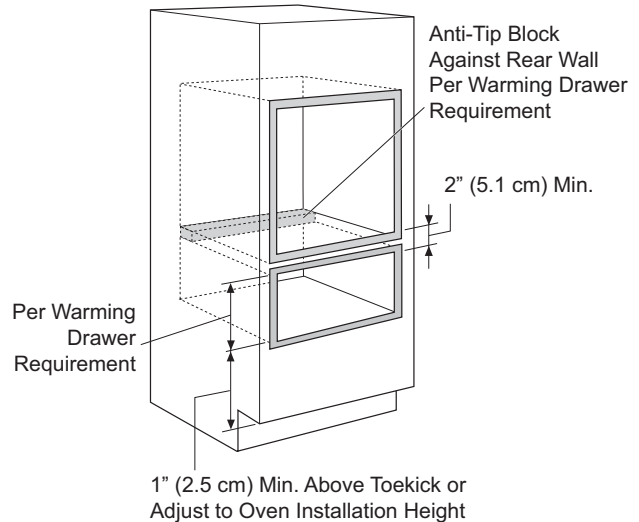
\* Refers to minimum clearance required for wall oven installation and does not reflect actual product dimensions.

# Installation Instructions

## 2 C CUTOUT FOR TWIN FLEX WALL OVEN OVER A WARMING DRAWER

**NOTE:** Install the oven only with specific models listed on the label located on top of the oven.

**NOTE:** Additional clearances between cutouts may be required. Check to be sure the oven supports above the Warming Drawer location do not obstruct the required interior depth and height.



## 3 DOOR REMOVAL AND INSTALLATION INSTRUCTIONS

**NOTE:** Door removal is not a requirement for installation of the product but is an added convenience.

### Upper Oven Door

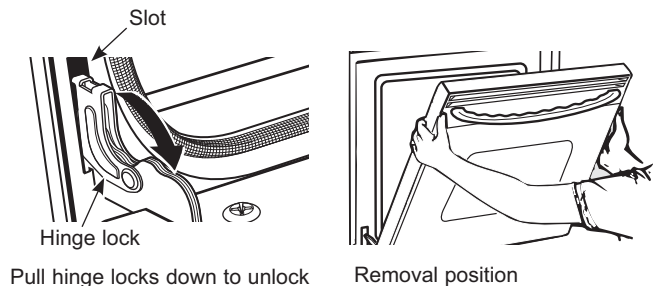
The upper door contains many of the electronics and controls for the oven. It is recommended that the upper door be removed only by a trained service technician.

### Lower Oven Door

The lower door is very heavy. Be careful when removing and lifting the door. Do not lift the door by the handle.

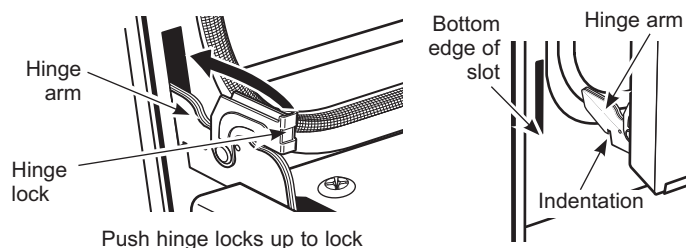
#### To remove the door:

1. Fully open the door.
2. Pull the hinge locks down toward the door frame, to the unlocked position. A tool, such as a small flat-blade screwdriver, may be required.
3. Firmly grasp both sides of the door at the top.
4. Close door to the door removal position. The door should be open approximately 3" with no obstruction above the door.
5. Lift door up and out until both hinge arms are clear of the slots.



#### To replace the door:

1. Firmly grasp both sides of the door at the top.
2. Starting on the left side, with the door at the same angle as the removal position, seat the indentation of the hinge arm into the bottom edge of the hinge slot. The notch in the hinge arm must be fully seated into the bottom of the slot. Repeat for right side.
3. Fully open the door. If the door will not fully open, the indentation is not seated correctly in the bottom edge of the slot.
4. Push the hinge locks up against the front frame of the oven cavity, to the locked position.
5. Close the oven door.



# Installation Instructions

## **4** ELECTRICAL REQUIREMENTS

**⚠ WARNING** This appliance must be properly grounded.

**⚠ WARNING** To prevent fire or shock, do not use an extension cord with this appliance.

**⚠ WARNING** To prevent shock, remove house fuse or open circuit breaker before beginning installation.

**⚠ WARNING** Improper connection of aluminum house wiring to copper leads can result in an electrical hazard or fire. Use only connectors designed for joining copper to aluminum and follow the manufacturer's recommended procedure closely.

We recommend you have the electrical wiring and hookup of your appliance connected by a qualified electrician. After installation, have the electrician show you how to disconnect power from the appliance.

You must use a single-phase, 120/208 VAC or 120/240 VAC, 60 Hertz electrical system. If you connect to aluminum wiring, properly installed connectors approved for use with aluminum wiring must be used.

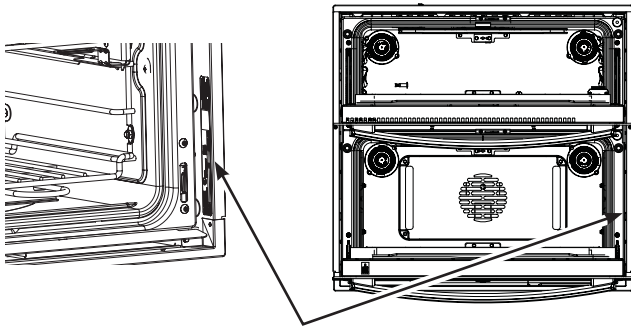
Effective January 1, 1996, the National Electrical Code requires that new construction (not existing) utilize a four-conductor connection to an electric oven. When installing an electric oven in new construction, a mobile home, recreational vehicle or an area where local codes prohibit grounding through the neutral conductor, refer to the section on four-conductor branch circuit connections.

Check with your local utilities for electrical codes which apply in your area. Failure to wire your oven according to governing codes could result in a hazardous condition. If there are no local codes, your oven must be wired and fused to meet the National Electrical Code, NFPA No. 70 – latest edition, available from the National Fire Protection Association.

# Installation Instructions

## 4 ELECTRICAL REQUIREMENTS (CONT)

This appliance must be supplied with the proper voltage and frequency and connected to an individual, properly grounded branch circuit, protected by a circuit breaker or fuse. See the rating plate located on the oven frame to determine the rating of the product.



Rating Plate Location

**NOTE:** Rating plate is located on oven side trim, side front frame or lower front frame.

Use the chart below to determine the minimum recommended dedicated circuit protection:

KW Rating 240V	KW Rating 208V	Recommended Circuit Size (Dedicated)
≤4.8 KW	≤4.1 KW	20 Amp
4.9 KW–7.2 KW	4.2 KW–6.2 KW	30 Amp
7.3 KW–9.6 KW	6.3 KW–8.3 KW	40 Amp
9.7 KW–12.0 KW	8.4 KW–10.4 KW	50 Amp

DO NOT shorten the flexible conduit. The conduit strain relief clamp must be securely attached to the junction box and the flexible conduit must be securely attached to the clamp. If the flexible conduit will not fit within the clamp, do not install the oven until a clamp of the proper size is obtained.

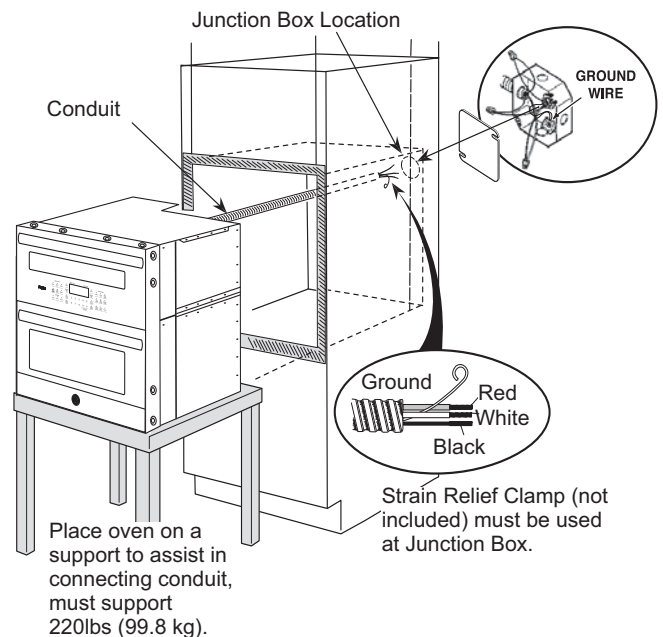
The 3 power leads supplied with this appliance are suitable for connection to heavier gauge household wiring. The insulation of these 3 leads is rated for temperatures much higher than the temperature rating of the household wiring. The current-carrying capacity of the conductor is governed by the wire gauge and the temperature rating of the insulation around the wire.

## 5 MAKE ELECTRICAL CONNECTIONS

### ⚠ WARNING

Switch power off at the service panel and lock the service disconnecting means to prevent power from being switched on accidentally. When the service disconnecting means cannot be locked, securely fasten a prominent warning device, such as a tag, to the service panel.

Place oven on table or platform even with the cutout opening. Connect the flexible conduit to the electrical junction box as shown\*. Position the conduit in such a manner that it will lie behind the unit in a natural loop when the oven is installed. You will need to purchase an appropriate strain relief clamp to complete the connection of the conduit to the junction box.



\* Ovens come equipped with a 40" long conduit. If a longer conduit is desired, there may be one available for your model. To check availability or order parts, call GE Appliances at 1.800.GE.CARES.



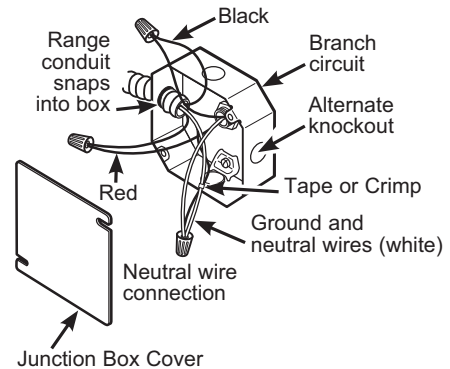
# Installation Instructions

## 6 THREE-CONDUCTOR BRANCH CIRCUIT CONNECTION

**NOTE:** If residence leads are aluminum conductors, see WARNING in Section 4, Electrical Requirements.

When connecting to a three-conductor branch circuit, if local codes permit:

- A. Connect the oven ground conductor along with the neutral (white) lead to the branch circuit neutral (white or gray in color), using a wire nut.
- B. Connect the oven red lead to the branch circuit red lead and the oven black lead to the branch circuit black lead in accordance with local codes, using wire nuts.
- C. Install proper strain relief clamp.
- D. Install junction box cover.

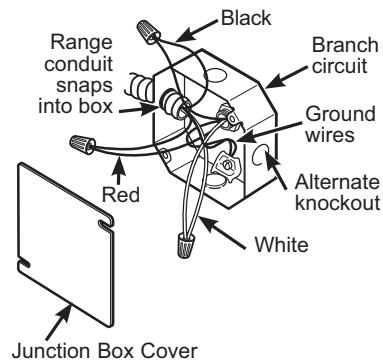


## 7 FOUR-CONDUCTOR BRANCH CIRCUIT CONNECTION

**NOTE:** If residence leads are aluminum conductors, see WARNING in Section 4, Electrical Requirements.

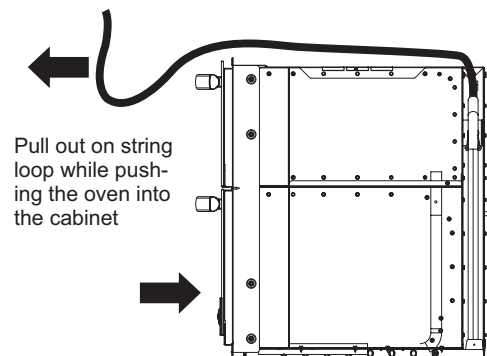
When connecting to a four-conductor branch circuit, if local codes permit:

- A. Free the neutral (white) lead from being restrained to any other wires. If necessary, cut the neutral (white) lead and then re-strip it to expose the proper length of conductor.
- B. Attach the appliance grounding lead (green or bare copper) in accordance with local codes.
- C. Connect the oven neutral (white) lead to the branch circuit neutral (white or gray) in accordance with local codes, using a wire nut.
- D. Connect the oven red lead to the branch circuit red lead and the oven black lead to the branch circuit black lead in accordance with local codes, using wire nuts.
- E. Install proper strain relief clamp.
- F. Install junction box cover.



## 8 SLIDING THE OVEN INTO THE OPENING

1. Loop (**do not tie**) a 72" (183 cm) string around the conduit before the oven is slid into place. This will keep the conduit from falling behind the oven.
2. Lift oven into cabinet cutout using the oven opening as a grip. Do not lift the door by the handle! Carefully push against oven front frame. Do not push against outside edges.
3. As you slide the oven back, pull the string so that the conduit will lie in a natural loop, behind the oven.
4. When you are sure the conduit is out of the way, slide the oven 3/4 way back into the opening. Remove the string by pulling on one end of the loop.





# Installation Instructions

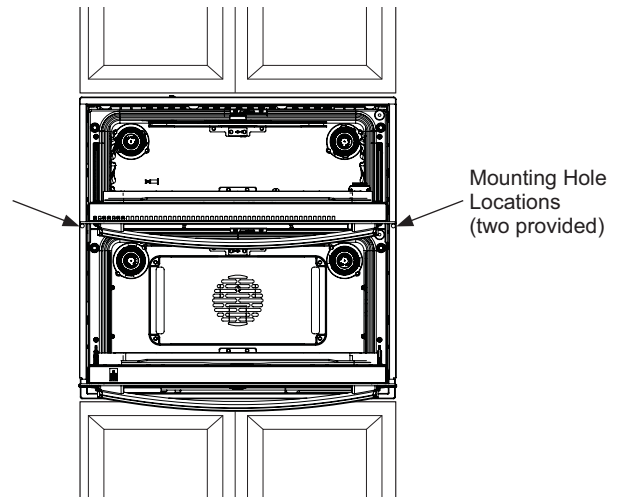
## 9 MOUNT THE OVEN

**⚠ WARNING** Mounting screws must be used. Failure to do so could result in the oven falling out of the cabinet, causing serious injury.

1. Drill through the mounting holes of the side trim, for the #8 screws provided.
2. Secure the oven to cabinet with screws provided.

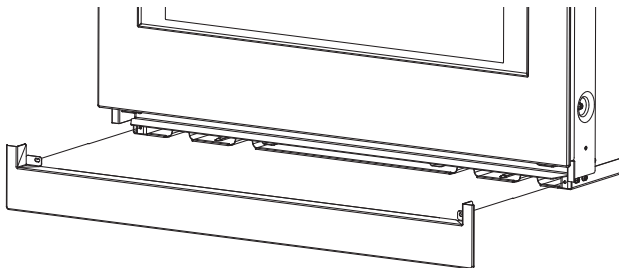
**NOTE:** Before drilling the pilot holes, make sure the oven is pushed as far back into the opening as it will go and centered.

**NOTE:** If the cabinet is particle board, you must use #8 x 3/4" particle board screws. These may be purchased at any hardware store.

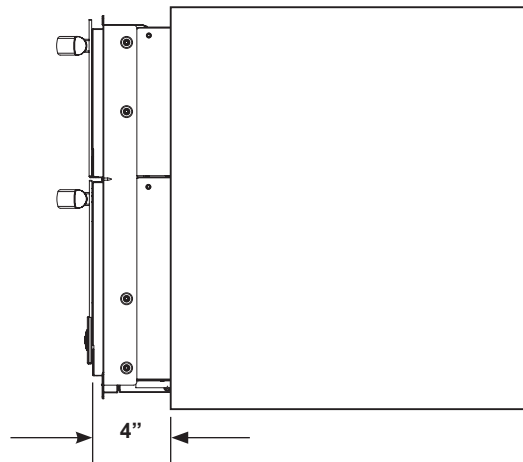


## 10 BOTTOM TRIM INSTALLATION

1. Place the bottom metal trim under air divider, with side flush against side trim. Do this with the unit 4" out of the cabinet.
2. Using two trim screws provided, secure the bottom trim to the bottom duct asm.



Install bottom trim with unit 4" out of cabinet

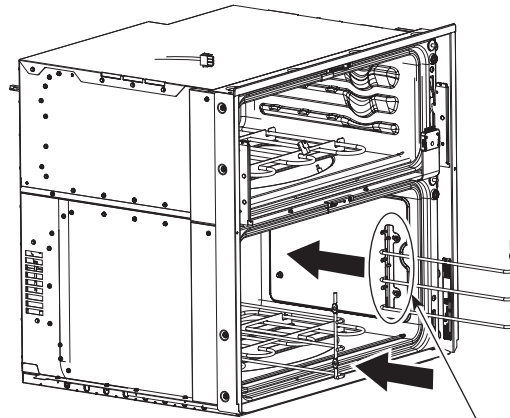


**IMPORTANT:** If this unit is ever removed from the cabinet or the oven is ever pulled out for service, pull unit out 4" and remove the bottom trim. This will prevent damage to the trim.

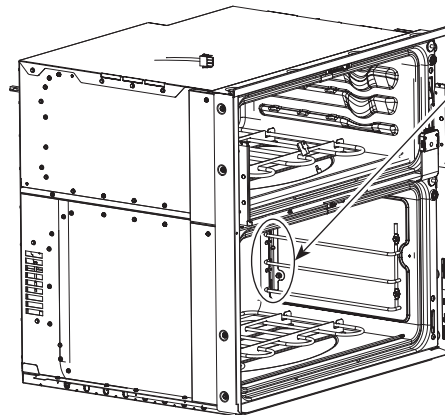
# Installation Instructions

## 11 LOWER OVEN RACK GUIDE INSTALLATION

1. Locate included oven rack guide mounting hardware.
2. Place oven rack guides on cavity wall studs with L bracket towards back of cavity as shown.
3. Install guides using the 8 provided mounting nuts.



Metal Posts to be installed in the rear of cavity



Oven rack guide shown in place.

# Installation Instructions

---

## **12** FINAL INSTALLATION CHECKLIST

- Check to make sure the circuit breaker is closed (RESET) or the circuit fuses are replaced.
- Be sure power is in service to the building.
- Check that all packing material and tape have been removed. Failure to remove these materials could result in damage to the appliance once the appliance has been turned on and surfaces have heated.
- Remove all items from inside the oven.
- Check to be sure that the mounting screws are installed and flush with the side trim (see Section 9).
- Check that the bottom trim is installed properly (see Section 10).
- Ensure that air duct opening at bottom of unit is free of obstructions.
- Check that oven rack guides are installed correctly and oven racks function smoothly.

## **OPERATION CHECKLIST**

- Turn on the power to the oven (refer to your Owner's Manual). Verify that the bake and broil units and all cooking functions operate properly.
- See your Owner's Manual for the troubleshooting list.
- Be sure all of the oven controls are OFF before leaving the oven.

# Notes

---

# Instrucciones de instalación

## Horno de Pared Doble y Flexible

PT9200

Ante cualquier duda, llame a GE Appliances al 800.GE.CARES (800.432.2737) o visite nuestro sitio Web en: [GEAppliances.com](http://GEAppliances.com)

### ANTES DE EMPEZAR

Lea estas instrucciones cuidadosa y completamente.

- **IMPORTANTE** – Guarde estas instrucciones para el uso de inspectores locales.
- **IMPORTANTE** – Cumpla con todos los códigos y ordenanzas vigentes.
- **Nota al instalador** – Asegúrese de dejar estas instrucciones con el Consumidor.
- **Nota al consumidor** – Conserve estas instrucciones para referencia futura.
- **Nivel de destreza** – La instalación de este aparato requiere un instalador o electricista calificados.
- El instalador tiene la responsabilidad de efectuar una instalación adecuada.
- La garantía no cubre las fallas del producto provocadas por una instalación incorrecta.
- Este producto sólo se debe usar en áreas interiores.

**ATENCIÓN INSTALADOR:** Todos los hornos de pared eléctricos deben contar con cableado de conexión permanente (cableado directo) dentro de una caja de conexiones aprobada. En estos productos NO se permite la conexión del tipo “enchufe y receptáculo”.

### PARA SU SEGURIDAD:

**⚠ ADVERTENCIA** Antes de comenzar la instalación, desconecte la energía del panel de servicio y bloquee los medios de desconexión para evitar el accionamiento de la energía de manera accidental. Cuando los medios de desconexión de servicio no pueden bloquearse, coloque sobre el panel de servicio un dispositivo de advertencia bien visible, como una etiqueta.

El horno debe instalarse bien en un gabinete que se encuentre firmemente sujeto a la estructura de la casa. Si se coloca peso sobre la puerta del horno, éste puede volcarse y provocar lesiones. Nunca permita que nadie se suba, siente, pare o cuelgue de la puerta del horno.

Verifique que el revestimiento de las paredes, mostradores y gabinetes ubicados alrededor del horno puedan soportar el calor (hasta 200°F [93,3°C]) generado por el horno.

### MATERIALES QUE PUEDE NECESITAR

Caja de conexiones  
Tapones de alambre  
Abrazadera de alivio de tensión para conducto de 1/2”  
Cuerda de 72”

### HERRAMIENTAS NECESARIAS

Broca de perforadora de 1/8” y perforadora eléctrica o de mano  
Destornillador de 7/16”  
Destornillador de estrella  
Alicates pelacables

# Instrucciones de instalación

## 1 QUITAR LOS MATERIALES DE EMPAQUE

No quitar los materiales de empaque puede provocar daños al electrodoméstico. Quite todas las partes de empaque del horno, bandejas y elementos de calentamiento. Retire la película protectora y las etiquetas de la puerta externa. También, retire el plástico de los bordes y el panel, y toda la cinta alrededor del horno. Abra la puerta del horno y retire el paquete de instrucciones y los estantes del horno. Asegúrese de colocar las instrucciones, el Manual del Propietario, las Instrucciones de Instalación, etc., en un lugar seguro para referencia futura. Quite el reborde inferior de la parte superior del horno. Se colocará al final del proceso de instalación. El reborde se encuentra envuelto en forma separada y adherido en la parte superior de la unidad.

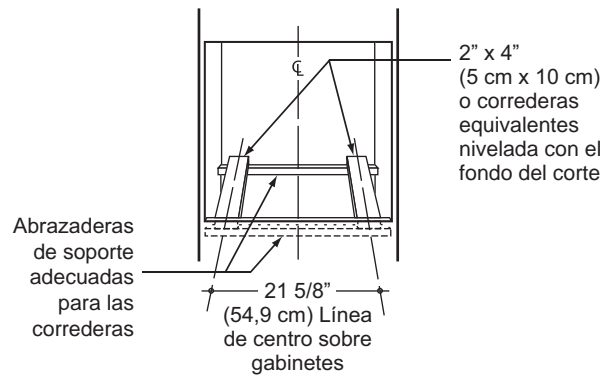
## 2 PREPARE LA ABERTURA

Si el gabinete no cuenta con una base sólida, deberán ser instalados dos soportes o tirantes, a fin de soportar el peso del horno. Para Hornos de Pared Dobles y Flexibles, los tirantes y soportes deberán soportar 220 lbs. (99 kg.).

**NOTA:** Si las marcas, imperfecciones o la abertura del gabinete son visibles por encima del horno instalado, quizás sea necesario agregar relleno debajo de las correderas y reborde delantera hasta que se cubran.

**⚠ PRECAUCIÓN** Los usuarios pueden quemarse cuando se usa un horno montado a una altura muy elevada. La altura de montaje recomendada se basa en un usuario con una altura de 5 pies.

**NOTA:** Si el gabinete no tiene un marco frontal y los lados son menores de 3/4" (1,9 cm) en grosor, coloque ambos lados en línea para establecer el ancho del corte.

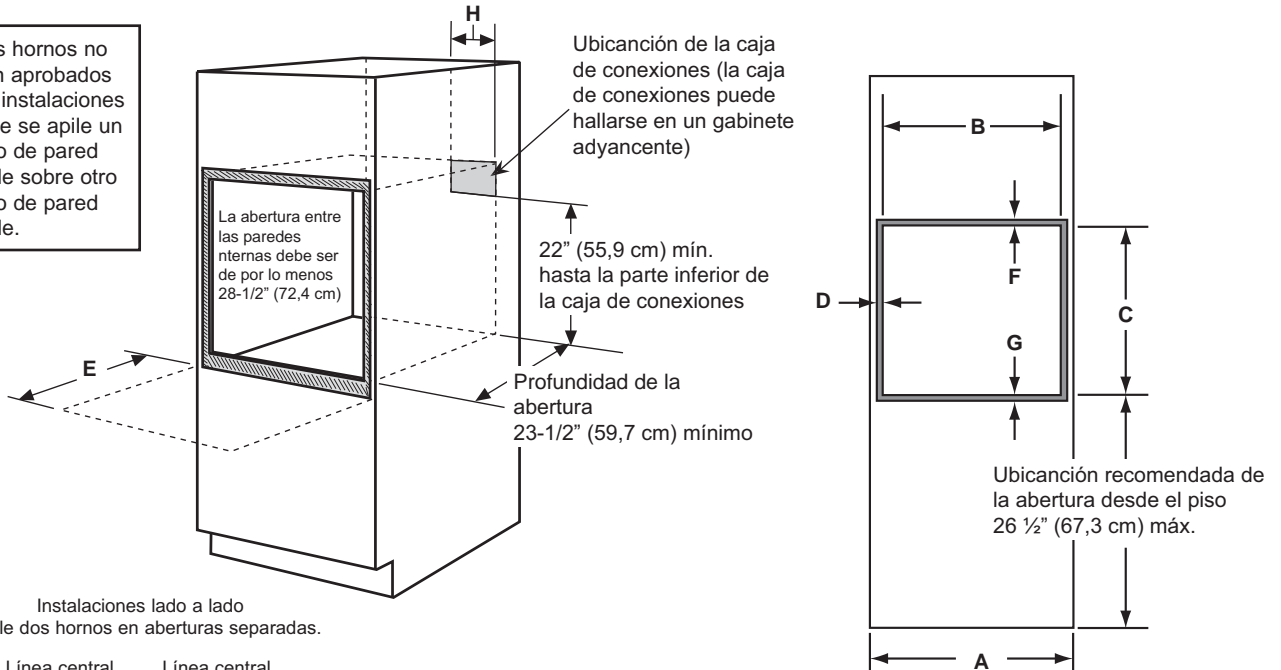


# Instrucciones de instalación

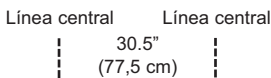
## 2 A ABERTURA DEL HORNO DE PARED DOBLE Y FLEXIBLE EN EL GABINETE DE LA PARED

**NOTA:** Si el gabinete no cuenta con un armazón frontal y los lados son menores a un grosor de 3/4" (1,9 cm), coloque cuñas uniformemente sobre ambos lados para establecer el ancho de la abertura.

Estos hornos no están aprobados para instalaciones donde se apile un horno de pared simple sobre otro horno de pared simple.

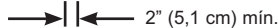


Instalaciones lado a lado  
Instale dos hornos en aberturas separadas.



Abertura – cumpla con todas las dimensiones y requerimientos.

Abertura – cumpla con todas las dimensiones y requerimientos.



Dimensión	Descripción de la dimensión	Horno de Pared Doble y Flexible de 30"
A	Ancho del gabinete	30" (76,2 cm)
B	Ancho de la abertura	28 1/2" (72,4 cm) mín. 28 5/8" (72,7 cm) máx.
C	Altura de la abertura	27 1/4" (69,2 cm) mín. 27 5/16" (69,4 cm) máx.
D	Espacio desde la abertura – extremos laterales*	11/16" (1,75 cm)
E	Espacio respecto de esquinas adyacentes, cajones, paredes, etc., cuando la puerta está abierta	15" (38,1 cm) mín.
F	Espacio desde la abertura – parte superior*	1" (2,5 cm) mín.
G	Espacio desde la abertura – parte inferior*	1 1/4" (3,2 cm)
H	Ubicación de la caja de conexiones	9 1/2" (24,1 cm) máx.

\* Se refiere al espacio mínimo requerido para la instalación del horno de pared y no refleja las dimensiones reales del producto.

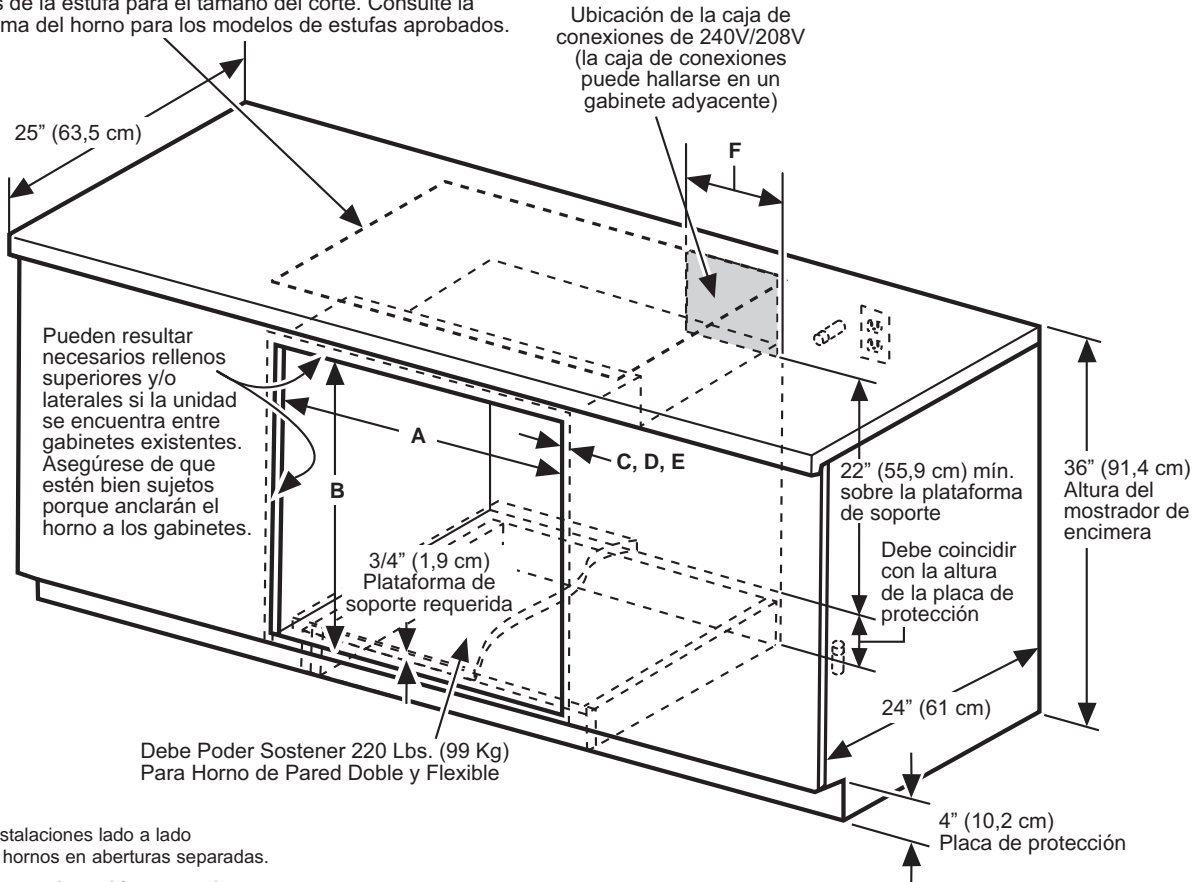


# Instrucciones de instalación

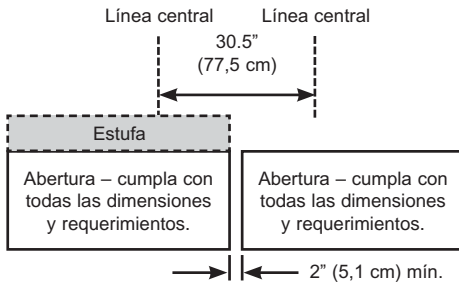
## 2 B ESPACIO PARA HORNO DE PARED DOBLE Y FLEXIBLE DEBAJO DE LA MESADA

**NOTA:** Estos hornos sólo pueden instalarse bajo los modelos específicos como se indica en la etiqueta de la unidad.

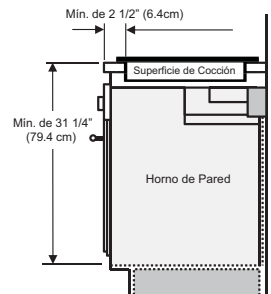
Sólo algunas estufas eléctricas pueden instalarse sobre este horno. No se encuentra aprobada ninguna estufa a gas. Consulte las instrucciones de la estufa para el tamaño del corte. Consulte la etiqueta encima del horno para los modelos de estufas aprobados.



Instalaciones lado a lado  
Instale dos hornos en aberturas separadas.



**IMPORTANTE:** Mantenga una distancia mínima de 31 1/4" desde la superficie superior de la mesada hasta la plataforma del horno de pared, a fin de asegurar que la superficie de cocción y el horno de pared no interfieran uno con el otro (vea la figura).



VISTA LATERAL

**NOTA:** Una estufa puede centrarse sobre cualquier horno en la instalación de lado a lado.

Dimensión	Descripción de la dimensión	Horno de Pared Doble y Flexible de 30"
A	Ancho del gabinete	28 1/2" (72,4 cm) mín. 28 5/8" (72,7 cm) máx.
B	Altura de la abertura	27 1/4" (69,2 cm) mín. 27 5/16" (69,4 cm) máx.
C	Espacio desde la abertura – parte superior*	1" (2,5 cm)
D	Espacio desde la abertura – parte inferior*	1 1/4" (3,2 cm)
E	Espacio desde la abertura – extremos laterales*	11/16" (1,75 cm)
F	Ubicación de la caja de conexiones	9 1/2" (24,1 cm) máx.

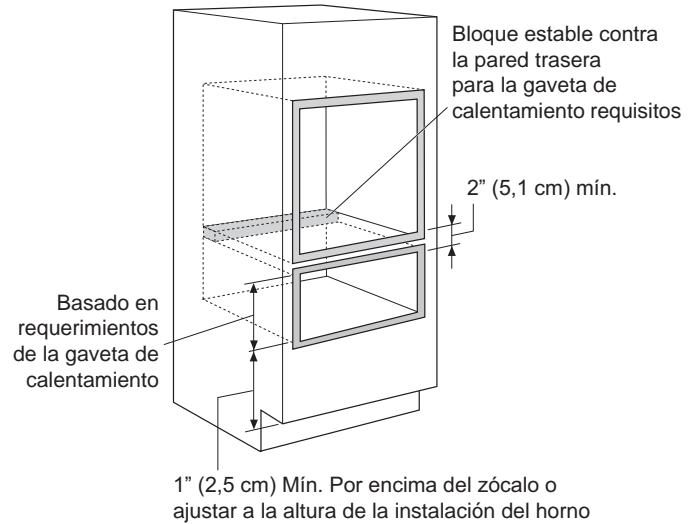
\* Se refiere al espacio mínimo requerido para la instalación del horno de pared y no refleja las dimensiones reales del producto.

# Instrucciones de instalación

## 2 | C ESPACIO PARA HORNO DE PARED DOBLE Y FLEXIBLE SOBRE UN CAJÓN PARA CALENTAR

**NOTA:** Instale el horno sólo con los modelos específicos listados en la etiqueta ubicada en la parte superior del horno.

**NOTA:** Pueden necesitarse espacios adicionales entre las aberturas. Verifique que los soportes del horno sobre la ubicación de cajón calentador no obstruyan la profundidad y altura interiores requeridas.



## 3 | RETIRO DE LA PUERTA E INSTRUCCIONES DE INSTALACIÓN

**NOTA:** La remoción de la puerta no es un requerimiento de la instalación del producto, pero es una comodidad adicional.

### Puerta del Horno Superior

En la puerta superior se encuentran muchos de los componentes electrónicos y controles del horno. Se recomienda que la puerta superior sólo sea retirada por un empleado calificado del servicio técnico.

### Puerta del Horno Inferior

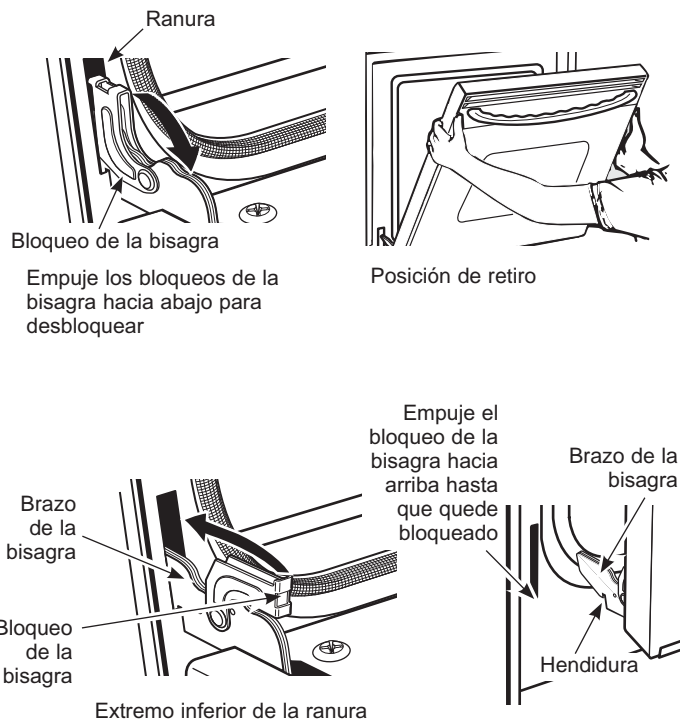
La puerta inferior es muy pesada. Tenga cuidado al retirar y levantar la puerta. No levante la puerta usando la manija.

#### Para retirar la puerta:

1. Abra la puerta totalmente.
2. Empuje los bloqueos de la bisagra hacia abajo en dirección a la estructura de la puerta, hasta la posición desbloqueada. Es posible que necesite una herramienta tal como un destornillador pequeño de punta plana.
3. Firmemente tome ambos lados de la puerta por la parte superior.
4. Cierre la puerta hasta la posición de retiro de la misma. La puerta debería ser abierta aproximadamente a 3", sin obstrucción sobre la misma.
5. Levante la puerta hacia arriba y afuera, hasta que los brazos de las bisagras queden fuera de las ranuras.

#### Para reemplazar la puerta:

1. Firmemente tome ambos lados de la puerta por la parte superior.
2. Comenzando desde el lado izquierdo, con la puerta en el mismo ángulo de la posición de retiro, apoye la hendidura del brazo de la bisagra en el extremo inferior de la ranura de la bisagra. La abertura en el brazo de la bisagra deberá estar totalmente apoyada en la parte inferior de la ranura. Repita el procedimiento del lado derecho.
3. Abra la puerta totalmente. Si la puerta no se abre totalmente, la hendidura no está correctamente apoyada en el extremo inferior de la ranura.
4. Empuje los bloqueos de la bisagra contra la estructura frontal de la cavidad del horno, hasta la posición de bloqueo.
5. Cierre la puerta del horno.



# Instrucciones de instalación

## 4 REQUISITOS ELÉCTRICOS (CONT)

**⚠ ADVERTENCIA** Este aparato debe contar con una adecuada conexión a tierra.

**⚠ ADVERTENCIA** Para prevenir un incendio o descarga eléctrica, no utilice un cable de extensión con este aparato.

**⚠ ADVERTENCIA** Para prevenir una descarga eléctrica, quite el fusible o abra el interruptor de circuitos antes de comenzar la instalación.

**⚠ ADVERTENCIA** Una conexión inadecuada de cableado doméstico de aluminio con cables de cobre puede generar un peligro eléctrico o un incendio. Sólo use conectores diseñados para unir cobre con aluminio y siga al pie de la letra el procedimiento recomendado del fabricante.

Recomendamos que un electricista calificado conecte el cableado eléctrico de su aparato. Después de la instalación, solicite al electricista que le indique cómo desconectar la energía del aparato.

Usted debe usar un sistema eléctrico de fase única de 120/208 VAC o 120/240 VAC de 60 hercios. Si tiene una conexión con cableado de aluminio, deben utilizarse conectores adecuadamente instalados para utilizar con cableado de aluminio.

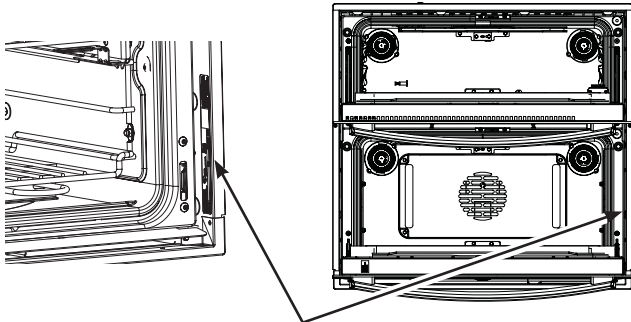
Vigente desde el 1 de enero de 1996, el Código Eléctrico Nacional requiere que las nuevas construcciones (no existentes) utilicen una conexión de cuatro conductores a un horno eléctrico. Cuando instale un horno eléctrico en una construcción nueva, una casa rodante, un vehículo recreativo o un área donde los códigos locales prohíben la conexión a tierra a través de un conductor neutral, consulte la sección sobre conexiones en circuito derivado de cuatro conductores.

Consulte a las empresas de servicio público sobre los códigos eléctricos que se aplican en su área. No realizar el cableado de su horno de acuerdo con los códigos vigentes puede provocar una situación peligrosa. Si no existen códigos locales, el cableado y fusibles de su horno deben cumplir con el Código Eléctrico Nacional, NFPA N° 70, última edición, disponible en National Fire Protection Association (Asociación Nacional de Protección contra Incendios).

# Instrucciones de instalación

## 4 REQUISITOS ELÉCTRICOS

Este aparato debe recibir el voltaje y frecuencia adecuados, y debe conectarse a un circuito derivado individual con adecuada conexión a tierra, protegido por un interruptor de circuitos o fusible. Ver la placa de clasificación ubicada en el armazón del horno para determinar la clasificación del producto.



Ubicación de la placa de potencia

**NOTA:** La placa de potencia se encuentra en la moldura lateral del horno, el marco lateral frontal del horno o el marco frontal inferior del horno.

Utilice la tabla de abajo para determinar la protección de circuito dedicada mínima recomendada:

Potencia KW 240V	Potencia KW 208V	Recomendable Tamaño del circuito (Especializado)
≤4.8 KW	≤4.1 KW	20 Amp
4.9 KW–7.2 KW	4.2 KW–6.2 KW	30 Amp
7.3 KW–9.6 KW	6.3 KW–8.3 KW	40 Amp
9.7 KW–12.0 KW	8.4 KW–10.4 KW	50 Amp

NO acorte el conducto flexible. La abrazadera del alivio de tensión del conducto debe estar bien sujeta a la caja de conexiones y el conducto flexible debe estar bien sujeto a la abrazadera. Si el conducto flexible no entra dentro de la abrazadera, no instale el horno hasta obtener una abrazadera del tamaño adecuado.

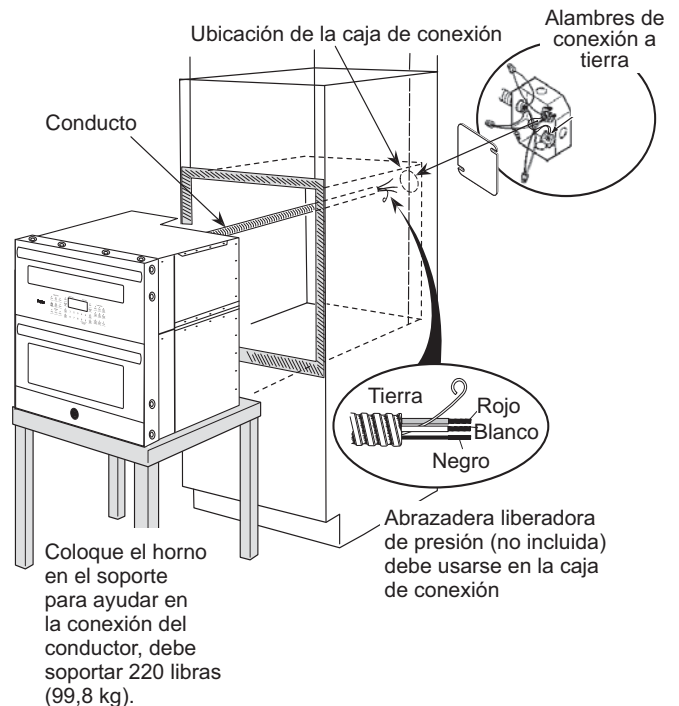
Los 3 cables de energía suministrados con este aparato son adecuados para conexiones con cableados domésticos de calibre mayores. La aislación de estos 3 cables está clasificada a temperaturas mucho más elevadas que la clasificación del cableado doméstico. La capacidad de transmitir corriente del conductor está determinada por el calibre del cable y la clasificación de temperatura de la aislación alrededor del cable.

## 5 REALICE LAS CONEXIONES ELÉCTRICAS

### ⚠ ADVERTENCIA

Desconecte la energía del panel de servicio y bloquee los medios de desconexión para evitar el accionamiento de la energía de manera accidental. Cuando los medios de desconexión de servicio no pueden bloquearse, coloque sobre el panel de servicio un dispositivo de advertencia bien visible, como una etiqueta.

Coloque el horno sobre una mesa o plataforma en forma nivelada con la abertura. Conecte el conducto flexible a la caja de empalmes eléctricos, como se muestra\*. Posicione el conducto de modo tal que se apoye detrás de la unidad en un círculo natural cuando el horno sea instalado. Tendrá que comprar una abrazadera para alivio de tensión apropiada para completar la conexión del conducto a la caja de conexiones.



\* Los hornos vienen equipados con un conducto de 40" de longitud. Si desea un conducto más largo, puede haber uno disponible para su modelo. Para verificar la disponibilidad o solicitar piezas, llame a GE Appliances al 800.GE.CARES.

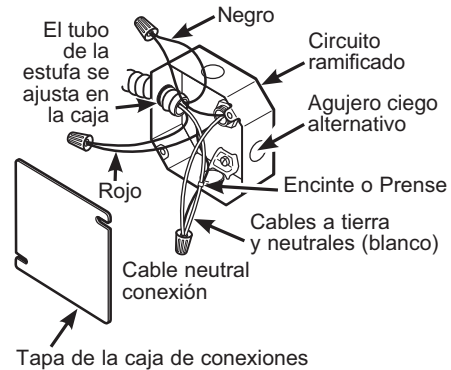
# Instrucciones de instalación

## 6 CONEXIÓN DE CIRCUITO DERIVADO DE TRES CONDUCTORES

**NOTA:** Si los cables domésticos son conductores de aluminio, ver la ADVERTENCIA de la sección 4, Requisitos eléctricos.

Cuando conecte un circuito derivado de tres conductores, si lo permiten los códigos locales:

- Conecte el conductor de conexión a tierra junto con el cable neutro (blanco) al neutro del circuito de empalmes (de color blanco o gris), usando una tuerca para cables.
- Conecte el cable rojo del horno al cable rojo del circuito derivado y el cable negro del horno al cable negro del circuito derivado de acuerdo con los códigos locales, utilizando tapones de alambre.
- Instale una abrazadera adecuada de alivio de tensión.
- Instale la tapa de la caja de conexiones.

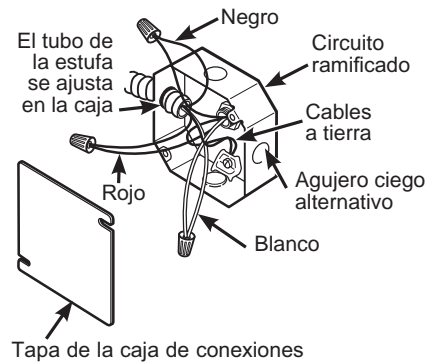


## 7 CONEXIÓN DE CIRCUITO DERIVADO DE CUATRO CONDUCTORES

**NOTA:** Si los cables domésticos son conductores de aluminio, ver la ADVERTENCIA de la sección 4, Requisitos eléctricos.

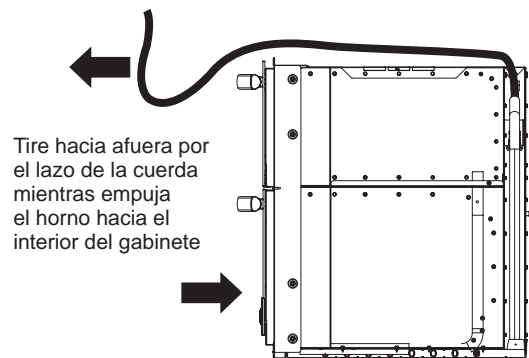
Cuando conecte un circuito derivado de cuatro conductores, si lo permiten los códigos locales:

- Evite que el conductor neutro (blanco) quede enredado con cualquier otro cable. De ser necesario, corte el conductor neutro (blanco) y luego vuelva a pelar el mismo, a fin de exponer la longitud adecuada del conductor.
- Conecte el cable a tierra del aparato (verde o cobre) de acuerdo con los códigos locales.
- Conecte el cable neutro (blanco) del horno con el neutro de circuito derivado (blanco o gris) de acuerdo con códigos locales, utilizando un tapón de alambre.
- Conecte el cable rojo del horno al cable rojo del circuito derivado y el cable negro del horno al cable negro del circuito derivado de acuerdo con los códigos locales, utilizando tapones de alambre.
- Instale una abrazadera adecuada de alivio de tensión.
- Instale la tapa de la caja de conexiones.



## 8 CÓMO DESLIZAR EL HORNO EN EL INTERIOR DE LA ABERTURA

- Coloque (**sin atar**) una cuerda de 72" (183 cm) alrededor del conductor antes de deslizar el horno en su lugar. Esto evitará que el conducto se caiga detrás del horno.
- Levante el horno hacia el interior del corte en el gabinete usando la abertura del horno para agarrarlo. Empuje contra el marco frontal del horno cuidadosamente. No empuje contra los bordes externos.
- A medida que el horno se desliza hacia atrás, tire de la cuerda para que el conducto quede encima del horno de forma natural.
- Cuando esté seguro de que el conducto está fuera del camino, deslice el horno 3/4 del trayecto hacia atrás y hacia el interior de la abertura. Retire la cuerda halando de un extremo.



# Instrucciones de instalación

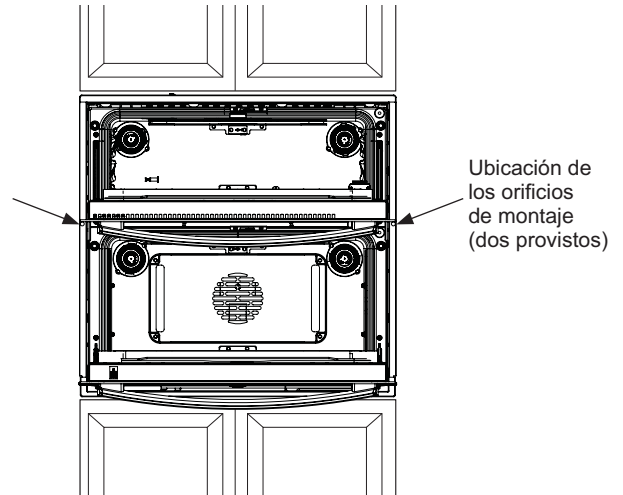
## 9 INSTALE EL HORNO

**⚠ ADVERTENCIA** Deben utilizarse tornillos de montaje. Si no lo hace, el horno puede caer del gabinete, lo que provocaría una lesión grave.

1. Perfore a través de los orificios de montaje de la moldura lateral, para los tornillos #8 que se proporcionan.
2. Ajuste bien el horno al gabinete con los tornillos que se proporcionan.

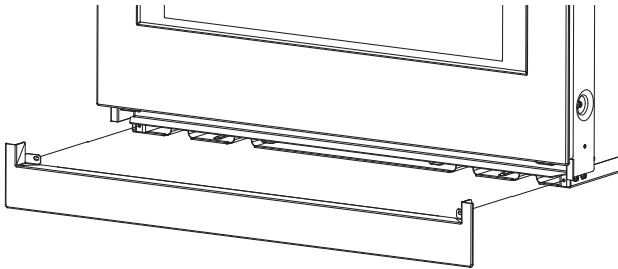
**NOTA:** Antes de perforar los orificios piloto, cerciórese de que el horno se empujó hasta el fondo y de que esté centrado.

**NOTA:** Si el gabinete es de tabla aglomerada debe usar tornillos #8 x 3/4". Los puede adquirir en cualquier ferretería.

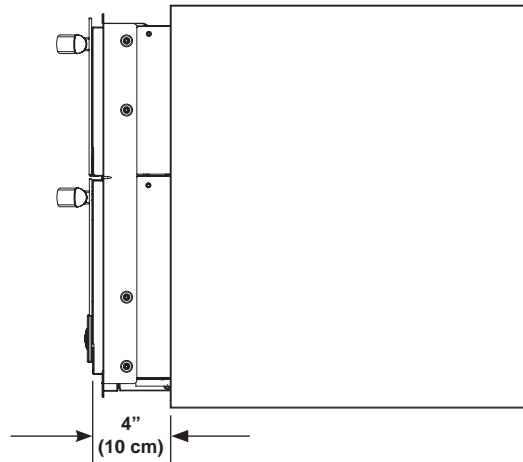


## 10 INSTALACIÓN DEL REBORDE INFERIOR

1. Coloque el reborde de metal inferior debajo del separador de aire, con el costado alineado con el reborde lateral. Haga esto con la unidad a 4" (10 cm) fuera del gabinete.
2. Utilizando los dos tornillos de reborde provistos, fije el reborde inferior al montaje del conducto inferior.



Instale el reborde inferior con la unidad 4" (10 cm) fuera del gabinete

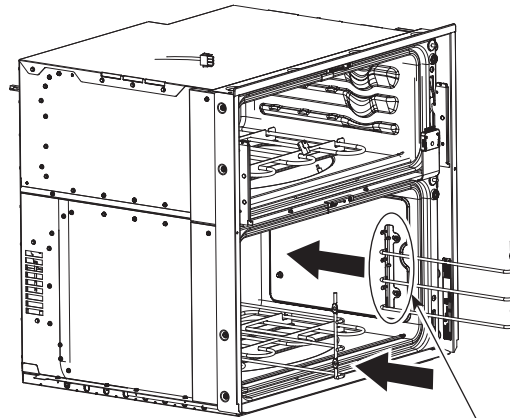


**IMPORTANTE:** Si esta unidad alguna vez se quita del gabinete o el horno se retira para efectuar mantenimiento, tire de la unidad 4" y saque el reborde inferior. Esto evitará daños al reborde.

# Instrucciones de instalación

## 11 GUÍA DE INSTALACIÓN DEL ESTANTE DEL HORNO INFERIOR

1. Ubique el equipo de montaje de la guía del horno incluida.
2. Posicione el conducto de modo tal que se apoye detrás de la unidad en un círculo natural cuando el horno sea instalado.
3. Instale las guías usando las 8 tuercas de montaje provistas.



Los postes metálicos se deben instalar en la parte trasera de la cavidad.

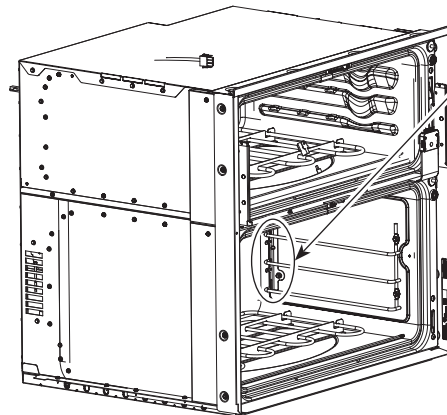


Imagen de la guía de la estantería en su lugar correspondiente.



# Instrucciones de instalación

## **12** LISTA DE CONTROL FINAL DE LA INSTALACIÓN

- Verifique que el interruptor de circuitos se encuentre cerrado (RESET) o que los fusibles del circuito se hayan reemplazado.
- Asegúrese de que haya suministro eléctrico en el edificio.
- Controle que se haya quitado todo el material de empaque y la cinta adhesiva. No quitar estos materiales puede provocar daños al electrodoméstico una vez que el aparato se haya encendido y las superficies se hayan calentado.
- Quite todos los elementos ubicados dentro del horno.
- Asegúrese de que los tornillos de montaje se encuentren instalados y nivelados con el reborde lateral (ver sección 9).
- Verifique que el reborde inferior esté bien instalado (ver sección 10).
- Asegúrese de que la abertura inferior del conducto de aire de la unidad esté libre de obstrucciones.
- Controle que las guías de los estantes del horno estén instaladas de forma correcta y que los estantes del horno funcionen de forma fluida.

## LISTA DE CONTROL DE FUNCIONAMIENTO

- Accione la energía del horno (consulte el Manual del propietario). Verifique que las unidades de horneado y asado y que todas las funciones de cocción operen bien.
- Ver el Manual del propietario para la lista de detección y solución de problemas.
- Asegúrese de que todos los controles del horno se encuentren en OFF (apagado) antes de dejar el horno.

# Notas

---