



WALL HOODS

SAFETY INFORMATION3

USING THE HOOD

Controls5

Chef Connect 6

Wi-Fi Connect..... 6

CARE AND CLEANING

Filters7

Surfaces8

Lights8

INSTALLATION INSTRUCTIONS ... 9

TROUBLESHOOTING TIPS.....21

WARRANTY..... 22

ACCESSORIES 23

CONSUMER SUPPORT 24

OWNER'S MANUAL & INSTALLATION INSTRUCTIONS

UVW9301
UVW9361

Write the model and serial numbers here:

Model # _____

Serial # _____

You can find them on a label on the inside of the hood.

ESPAÑOL

Para consultar una version en español de este manual de instrucciones, visite nuestro sitio de internet GEAppliances.com.

THANK YOU FOR MAKING GE APPLIANCES A PART OF YOUR HOME.

Whether you grew up with GE Appliances, or this is your first, we're happy to have you in the family.

We take pride in the craftsmanship, innovation and design that goes into every GE Appliances product, and we think you will too. Among other things, registration of your appliance ensures that we can deliver important product information and warranty details when you need them.

Register your GE appliance now online. Helpful websites and phone numbers are available in the Consumer Support section of this Owner's Manual. You may also mail in the pre-printed registration card included in the packing material.



IMPORTANT SAFETY INFORMATION

READ ALL INSTRUCTIONS BEFORE USING

⚠ WARNING TO REDUCE THE RISK OF FIRE, ELECTRIC SHOCK OR INJURY TO PERSONS, OBSERVE THE FOLLOWING:

- A. Use this unit only in the manner intended by the manufacturer. If you have questions, contact the manufacturer.
- B. Before servicing or cleaning unit, switch power off at service panel and lock the service disconnecting means to prevent power from being switched on accidentally. When the service disconnecting means cannot be locked, securely fasten a prominent warning device, such as a tag, to the service panel.
- C. Do not use this unit with any solid-state speed control device.
- D. This unit must be grounded.

⚠ CAUTION FOR GENERAL VENTILATING USE ONLY. DO NOT USE TO EXHAUST HAZARDOUS OR EXPLOSIVE MATERIALS AND VAPORS.

⚠ CAUTION TO REDUCE RISK OF FIRE AND TO PROPERLY EXHAUST AIR, BE SURE TO DUCT AIR OUTSIDE. DO NOT VENT EXHAUST AIR INTO SPACES WITHIN WALLS OR CEILINGS OR INTO ATTICS, CRAWL SPACES OR GARAGES.

⚠ WARNING TO REDUCE THE RISK OF INJURY TO PERSONS IN THE EVENT OF A RANGE TOP GREASE FIRE, OBSERVE THE FOLLOWING*:

- A. SMOTHER FLAMES with a close-fitting lid, cookie sheet or metal tray, then turn off the burner. BE CAREFUL TO PREVENT BURNS. If the flames do not go out immediately, EVACUATE AND CALL THE FIRE DEPARTMENT.
- B. NEVER PICK UP A FLAMING PAN—You may be burned.
- C. DO NOT USE WATER, including wet dishcloths or towels—a violent steam explosion will result.
- D. Use an extinguisher ONLY if:
 - 1. You know you have a Class ABC extinguisher, and you already know how to operate it.
 - 2. The fire is small and contained in the area where it started.
 - 3. The fire department is being called.
 - 4. You can fight the fire with your back to an exit.

*Based on "Kitchen Fire Safety" published by NFPA.

READ AND SAVE THESE INSTRUCTIONS

IMPORTANT SAFETY INFORMATION

READ ALL INSTRUCTIONS BEFORE USING

▲WARNING TO REDUCE THE RISK OF A RANGE TOP GREASE FIRE:

- A. Never leave surface units unattended at high settings. Boilovers cause smoking and greasy spillovers that may ignite. Heat oils slowly on medium settings.
- B. Always turn hood ON when cooking at high heat or when flambéing food (i.e. Crepes Suzette, Cherries Jubilee, Peppercorn Beef Flambé).
- C. Clean ventilating fans frequently. Grease should not be allowed to accumulate on fan or filter.
- D. Use proper pan size. Always use cookware appropriate for the size of the surface element.

▲WARNING TO REDUCE THE RISK OF FIRE, ELECTRIC SHOCK OR INJURY TO PERSONS, OBSERVE THE FOLLOWING:

- A. Installation work and electrical wiring must be done by qualified person(s) in accordance with all applicable codes and standards, including fire-rated construction.
- B. Sufficient air is needed for proper combustion and exhausting of gases through the flue (chimney) of fuel burning equipment to prevent back drafting. Follow the heating equipment manufacturer's guidelines and safety standards such as those published by the National Fire Protection Association (NFPA), the American Society for Heating, Refrigeration and Air Conditioning Engineers (ASHRAE) and the local code authorities.

- C. When cutting or drilling into wall or ceiling, do not damage electrical wiring and other hidden utilities.
- D. Ducted fans must always be vented to the outdoors.
- E. When applicable, install any makeup (replacement) air system in accordance with local building code requirements. Visit GEAppliances.com for available makeup air solutions.
- F. Turn off breaker to adjacent rooms while working.

▲WARNING TO REDUCE THE RISK OF FIRE, USE ONLY METAL DUCTWORK.

- Do not attempt to repair or replace any part of your hood unless it is specifically recommended in this manual. All other servicing should be referred to a qualified technician.

How to Remove Protective Shipping Film and Packaging Tape

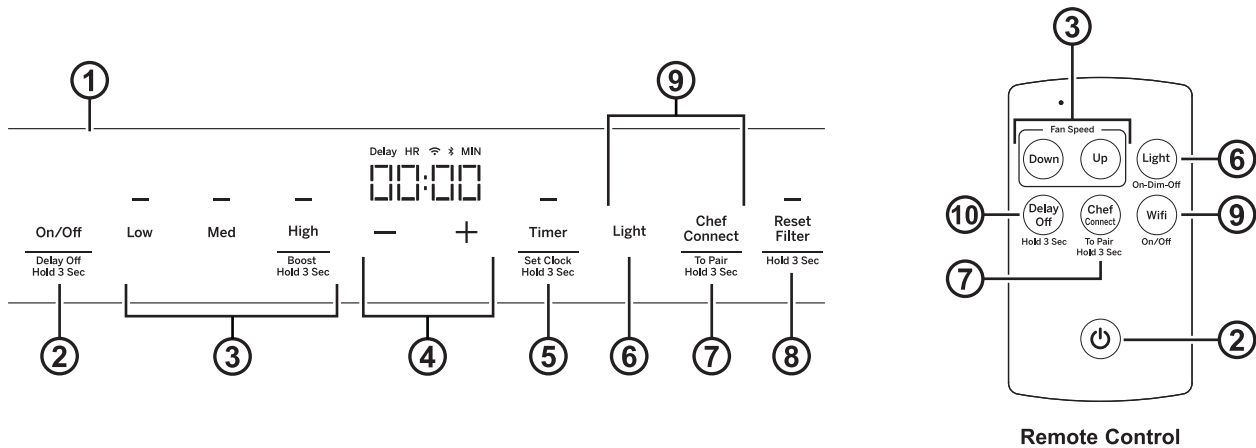
Carefully grasp a corner of the protective shipping film with your fingers and slowly peel it from the appliance surface. Do not use any sharp items to remove the film. Remove all of the film before using the appliance for the first time.

To assure no damage is done to the finish of the product, the safest way to remove the adhesive from packaging tape on new appliances is an application of a household liquid dishwashing detergent. Apply with a soft cloth and allow to soak.

NOTE: The adhesive must be removed from all parts.

NOTE: For further cleaning instructions/suggestions, please refer to the Care And Cleaning section.

READ AND SAVE THESE INSTRUCTIONS



1. **Rangehood Control Panel:** The control panel is located on the front of the canopy. The position and function of each control pad are noted below.
2. **On/Off:** On/Off switch for the fan and lighting up the display. The fan can be operated by tapping any of the fan setting pads. Hold **On/Off** pad for 3 seconds to activate Delay Off feature, which automatically turns the fan off after 15 minutes.
3. **Fan Setting:** Speed control for fan. Tap **Low** for LOW speed. **Med** for MEDIUM speed and **High** for HIGH speed. Press and hold the **High** pad for 3 seconds to activate the BOOST speed that will run for 10 minutes. On Remote, press **Up** to increase fan speed, press **Down** to decrease fan speed, including Boost.
4. **Plus and Minus:** The plus (+) and minus (-) pads control the time for the clock and the timer. To add time, tap the + pad. To subtract time, tap the - pad.
5. **Timer:** Sets a timer for cooking or sets the clock. To start the timer, tap the **Timer** pad and the clock will show "HR" and "MIN". Tap + or - to add or subtract time. Tap on the **Timer** again to start the countdown. To cancel the timer, tap the **Timer** pad again. Hold the **Timer** pad down for 3 seconds to set the clock. Tap the + or - to set the the hour. Tap on the **Timer** again to set minutes. Tap on the **Timer** again to lock in the time. Clock will sync once the unit is connected to Wi-Fi.
6. **Light:** Controls the lights. Tap the **Light** pad to turn the lights on fully. Tap the **Light** pad again and the lights will dim. Tap the **Light** pad a third time to turn off the lights.
7. **Chef Connect:** Hold the **Chef Connect** pad down for 3 seconds to activate the Bluetooth®. This is a Bluetooth® pairing feature for use with other compatible Chef Connect enabled products on a cooktop or range. When the device is paired, the light and fan will turn ON at the Default Sync Settings upon receiving a command from the range or cooktop. It will remain ON at that setting until the user changes it. See the Chef Connect section for more details.
8. **Reset Filter:** The red LED indicator above the Reset Filter pad turns on as a reminder to change /clean the filter. Hold the **Reset Filter** pad for 3 seconds to turn off. Tap the **Reset Filter** pad again to begin recalculating the time. While this indicator reminds user to change/clean filters, the filters should be cleaned regularly. Please refer to the Filters section.
9. **Wi-Fi:** Hold down the **Light** and **Chef Connect** pads for three seconds to activate the Wi-Fi connect mode. The Wi-Fi symbol above the clock blinks for 3 seconds and then becomes solid. See the Wi-Fi section for more details. On Remote, press **Wi-Fi** to toggle Wi-Fi function.
10. **Delay Off (Remote only):** Press and hold **Delay Off** to toggle Delay Off function.

Chef Connect

Chef Connect Operation Bluetooth® Connection

To pair with another device:

To start the pairing process on the hood, press and hold the **Chef Connect** button for 3 seconds. The backlight for all the icons will light up until the hood is paired with the range or other device. If the pairing is successful, the Bluetooth® symbol above the clock will turn on and become solid.

It will time out after 2 minutes if the pairing is not completed, after which the pairing sequence will need to be restarted.

To cancel pairing:

To cancel the pairing, hold the **Chef Connect** button down for 3 seconds and then turn off the hood.

Default Sync Settings:

The factory default setting for the light will be the brightest.

The factory default setting for the fan sync will be OFF.

The user can change the Default Sync Settings by pressing and holding the **Low** button for 3 seconds. This will enter the Default Settings Mode. Once in this mode, the backlights for all buttons will blink on/off indefinitely and the fan and light will switch to the current Default Sync Setting, so the user knows what the current default value is. At this time, set the light and fan to the desired default levels. Once the user is satisfied with the selection, press and hold the **Off** button for 3 seconds. This will exit this mode. At that time the backlights will stop blinking and the state of the fan and light will change back to their prior state before entering the Default Settings Mode.

Wi-Fi Connect

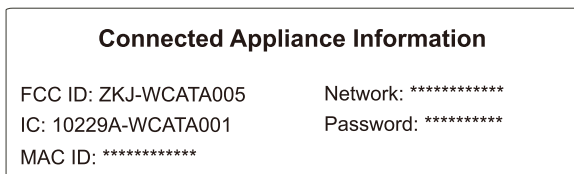
Connecting your Wi-Fi Connect Enabled hood (on some models)

Your GE Appliances hood is designed to provide you with two-way communication between your appliance and smart device. By using the GE Appliances Wi-Fi Connect features, you will be able to control essential hood operations such as fan speed, light functions, timer/clock function, delay off and filter reset using your smartphone or tablet.*

What you will need

Your GE Appliances hood uses your existing home Wi-Fi network to communicate between the appliance and your smart device. In order to setup your GE Appliances hood, you will need to gather some information:

1. Each GE Appliances hood has a connected appliance information label that includes an Appliance Network Name and Password. These are the two important details that you will need to connect to the appliance. The label is located on the side of the unit behind the filters.



Sample Label

2. Have your smart phone or tablet ready with the ability to access the internet and download apps.
3. You will need to know the password of your home Wi-Fi router. Have this password ready while you are setting up your GE Appliances hood.

Connect your GE Appliances hood

1. On your smart phone or tablet visit www.GEAppliances.com/connect to learn more about connected appliance features and to download the appropriate app.
2. Follow the app onscreen instructions to connect your GE Appliances hood.
3. Once the process is complete, the connection light located on your GE Appliances hood display will stay on solid and the app will confirm you are connected.
4. If the connection light does not turn on or is blinking, follow the instructions on the app to reconnect. If issues continue please call 800.220.6899 and ask for assistance regarding hood wireless connectivity.

To connect additional smart devices, repeat steps 1 and 2.

Note that any changes or modifications to the remote enable device installed on this hood that are not expressly approved by the manufacturer could void the user's authority to operate the equipment.

* Compatible Apple or Android devices and home Wi-Fi network required.

Filters

Be sure the circuit breaker is off and all surfaces are cool before cleaning or servicing any part of the vent hood.

Metal Grease Filter

The metal filters trap grease during cooking.

The filters must ALWAYS be in place when the hood is in use. The grease filters are dishwasher-safe and should be cleaned every month, depending on the usage of the hood.

To remove:

Open the filter cover panel and disengage the filter lock to release the filter.

To replace:

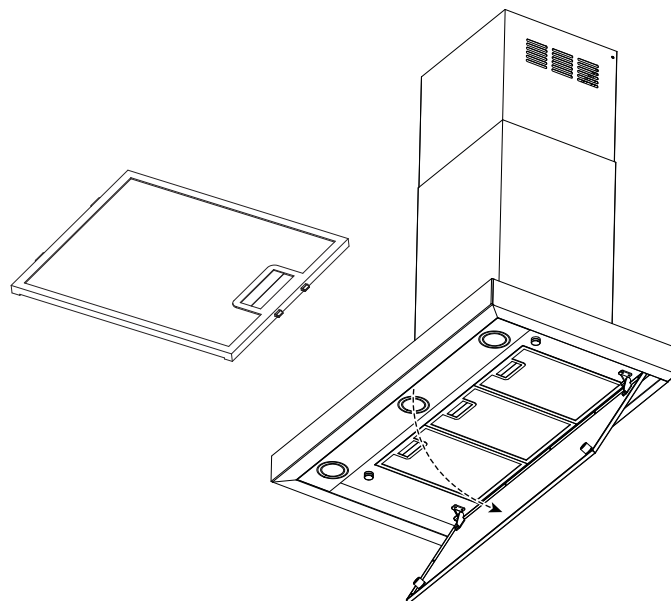
Fit the tabs at the bottom of the filter into the slots in the back of the filter opening. Lift up the front side of the filter and push gently until the filter locks into place. Make sure the filter lock is in the closed position to secure the filter.

NOTE: The front panel covers the filters and must be pressed up and then pulled down to access the filters.

To clean:

Swish the filter in hot soapy water and rinse in clean water or wash it in the dishwasher. Do not use abrasive cleansers.

NOTE: Some discoloration of the filter may occur in the dishwasher.



Charcoal Filter (for recirculation installation only)

If the model is not vented to the outside, the air needs to be recirculated through a disposable charcoal filter that helps remove smoke and odors.

NOTE: DO NOT rinse, or put charcoal filter in an automatic dishwasher.

The charcoal filter is included with the unit. It cannot be cleaned, It must be replaced when Reset Filter LED indicator comes on. It is recommended that the charcoal filter be replaced every 6 months or if it is noticeably dirty or discolored.

Order Charcoal Filter UXCF91

To inquire about purchasing replacement charcoal filters or to find the location of a dealer nearest you, please call our toll-free number:

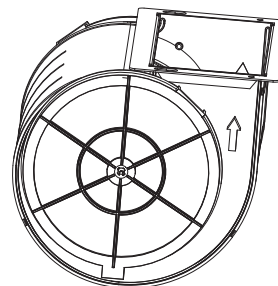
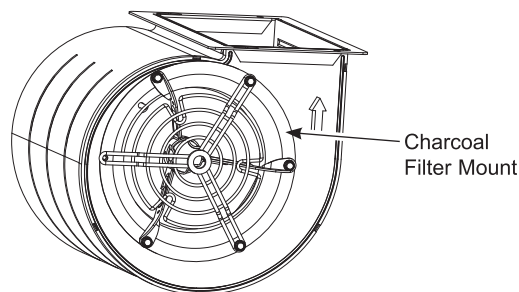
National Parts Center 800.626.2002

To install:

1. Remove the metal filters—see Metal Grease Filter section.
2. Install the charcoal filter mounts to either side of the motor using three screws per side.
3. Insert the tab on the charcoal filter into the triangular slot on the mount.
4. Clip the charcoal filter in until it is locked.
5. Repeat with second filter on the other side of the motor.
6. Replace the metal filters - See Metal Grease Filter section.

To remove:

1. Remove the metal filters—see Metal grease filter section.
2. Unclip the charcoal filter by pressing the release clip.
3. Carefully remove charcoal filter from tab.



Surfaces

Stainless Steel Surfaces (on some models)

Do not use a steel wool pad; it will scratch the surface.

To clean the stainless steel surface, use warm sudsy water or a stainless steel cleaner or polish. Always wipe the surface in the direction of the brush line. Follow the cleaner instructions for cleaning the stainless steel surface. Cleaners with oxalic acid such as **Bar Keepers Friend Soft Cleanser™** will remove surface rust, tarnish, and small blemishes. To receive a coupon for a trial sample of **Bar Keepers Friend Soft Cleanser™** follow the link below or scan the QR Code.



www.barkeepersfriend.com/ge

Use only a liquid cleanser free of grit and rub in the direction of the brush lines with a damp soft sponge.

To inquire about purchasing stainless steel appliance cleaner or polish, or to find the location of a dealer nearest you, please call our toll-free number:

National Parts Center
800.626.2002

GEApplianceParts.com

Painted Surfaces and Black Stainless Color (on some models)

Do not use a steel wool pads or other abrasive cleaners; they will scratch the surface.

Clean grease-laden surfaces of the hood frequently. To clean the hood surface, use a hot, damp cloth with a mild detergent suitable for painted surfaces. About one tablespoon of ammonia may be added to the water. Use a clean, hot, damp cloth to remove soap. Dry with a dry, clean cloth.

NOTE: When cleaning, take care not to come in contact with filters and other surfaces.

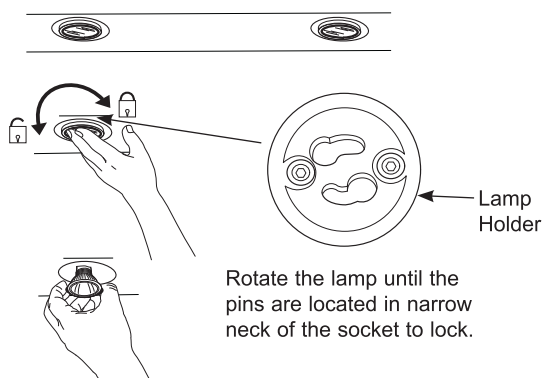
CAUTION When cleaning the hood surfaces, be certain that you do not touch the light with moist hands or cloth. A warm or hot light may break if touched with a moist surface. Always let the light cool completely before cleaning around it.

Lights

CAUTION Allow lights to cool before touching.

1. Before attempting to replace the lights, make sure that the light switch is turned off.
2. Rotate light counterclockwise to unlock and pull out. Wearing latex gloves may offer a better grip.
3. Replace with new light of same type, making sure pins are inserted properly into the sockets of the lamp holder and turn clockwise to lock.

All lamps need to be GU10 compatible.



Installation Instructions

Wall Hoods
UVW9301, UUV9361

? "If you have questions, call GE Appliances at 800.GE.CARES (800.432.2737) or visit our website at: GEAppliances.com"

BEFORE YOU BEGIN

Read these instructions completely and carefully.

- **IMPORTANT** — Save these instructions for local inspector's use.
- **IMPORTANT** — Observe all governing codes and ordinances.
- **Note to Installer** – Be sure to leave these instructions with the Consumer.
- **Note to Consumer** – Keep these instructions for future reference.
- **Skill level** – Installation of this vent hood requires basic mechanical and electrical skills.
- **Completion time** – Approximately 1 to 3 hours
- Proper installation is the responsibility of the installer.
- Product failure due to improper installation is not covered under the Warranty.

▲ CAUTION Due to the weight and size of these vent hoods and to reduce the risk of personal injury or damage to the product, **TWO PEOPLE ARE REQUIRED FOR PROPER INSTALLATION.**

FOR YOUR SAFETY

▲ WARNING Before beginning the installation, switch power off at service panel and lock the service disconnecting means to prevent power from being switched on accidentally. When the service disconnecting means cannot be locked, securely fasten a prominent warning device, such as a tag, to the service panel.

▲ WARNING TO REDUCE THE RISK OF FIRE, ELECTRIC SHOCK OR INJURY TO PERSONS, OBSERVE THE FOLLOWING:

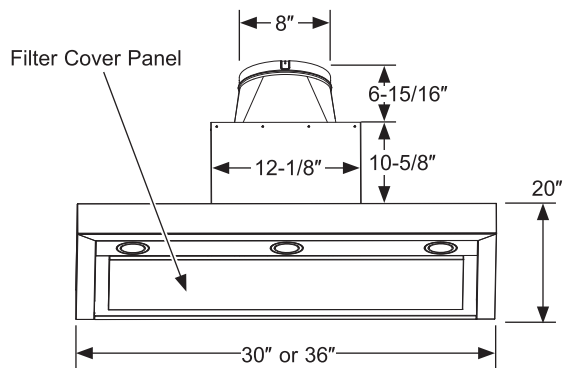
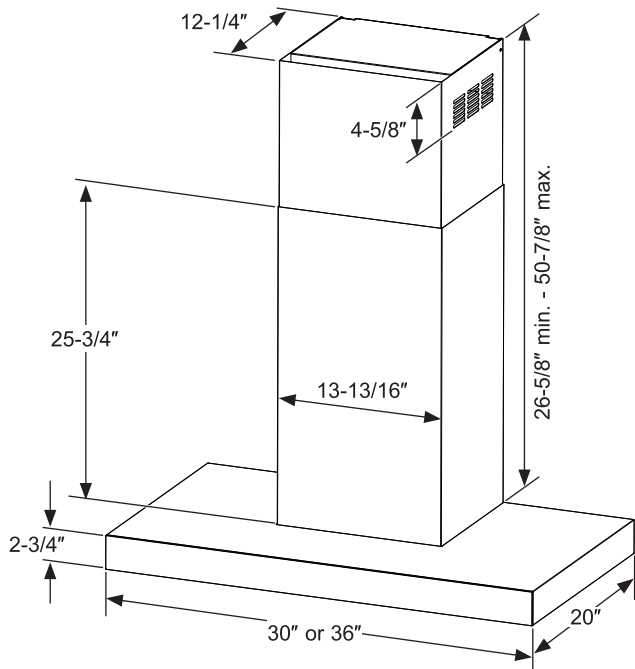
- A. Installation work and electrical wiring must be done by qualified person(s) in accordance with all applicable codes and standards, including fire-rated construction.
- B. Sufficient air is needed for proper combustion and exhausting of gases through the flue (chimney) of fuel burning equipment to prevent back drafting. Follow the heating equipment manufacturer's guidelines and safety standards such as those published by the National Fire Protection Association (NFPA), the American Society for Heating, Refrigeration and Air Conditioning Engineers (ASHRAE) and the local code authorities.
- C. When cutting or drilling into wall or ceiling, do not damage electrical wiring and other hidden utilities.
- D. Ducted fans must always be vented to the outdoors.
- E. Turn off breaker to adjacent rooms while working.

▲ WARNING TO REDUCE THE RISK OF FIRE, USE ONLY METAL DUCT WORK.

▲ WARNING Disconnect all electrical power at the main circuit breaker or fuse box before installing.

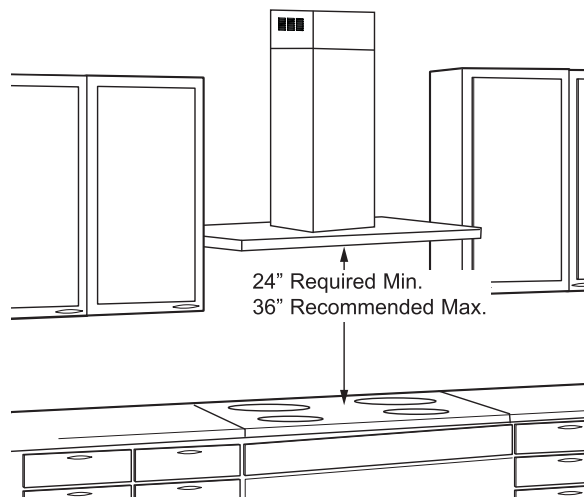
Installation Preparation

PRODUCT DIMENSIONS



INSTALLATION CLEARANCES

These vent hoods are designed to be installed onto a wall with no above cabinets.

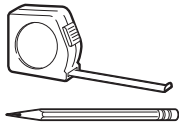


The vent hood must be installed between the 24" required minimum and 36" recommended maximum above the cooking surface. For supplied duct cover ceiling heights, see Installation Height Table.

NOTE: Installation height should be measured from the cooking surface to the lowest part of the hood. The hood must be installed onto a wall. It can be vented to the outdoors, or it can be installed for recirculating operation. For recirculation operation, see Recirculation Install Planning.

Installation Preparation

TOOLS AND MATERIALS REQUIRED (NOT SUPPLIED)



Pencil and tape measure



Safety glasses



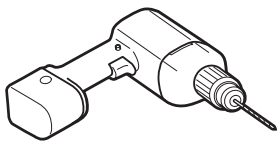
Level



Phillips screwdriver



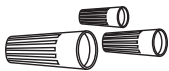
Wire cutter/stripper



Electric drill with #2 Phillips and 1/8" drill bits



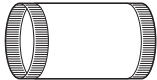
Aluminized duct tape



UL listed wire nuts



Strain relief for junction box



8" round duct (length will vary)



Gloves

PLAN THE INSTALLATION

⚠ CAUTION

To reduce risk of fire and to properly exhaust air, be sure to duct the air outside. Do not vent exhaust air into spaces within walls or ceilings or into attics, crawl spaces, or garages.

PARTS SUPPLIED FOR INSTALLATION

- 1 Hardware Package
- 1 Literature Package
- Recirculation Duct (for recirculation install only)
- Charcoal filters (recirculation mode)

PARTS NEEDED FOR INSTALLATION

- 1 Strain Relief
- 1 Wall or Roof Cap (for ducted venting only)
- All Metal Ductwork (for ducted venting only)

⚠ WARNING

PERSONAL INJURY HAZARD

Because of the weight and size of the rangehood canopy. It is recommended that 2 people are used to install the range hood. Failure to properly lift rangehood could result in damage to the product or personal injury.

NOTE: This rangehood can be installed as either ducted or recirculation. In a ducted application, this rangehood can be vented through the wall or ceiling. When installed for recirculation, the rangehood vents out the sides of the duct cover.

NOTE: Before making any cuts or holes for installation, determine which venting method will be used and carefully calculate all measurements.

REMOVE THE PACKAGING

⚠ CAUTION

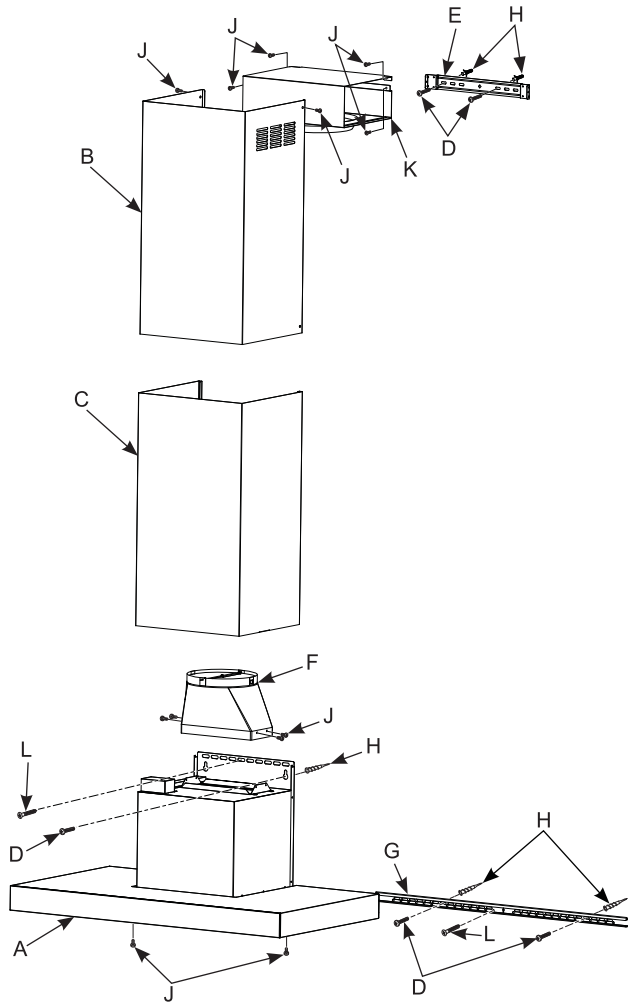
Wear gloves to protect against sharp edges.

- Remove the duct covers.
- Remove the hardware bag, literature package and other boxed parts.
- Remove and properly discard the protective plastic wrapping and other packaging materials.

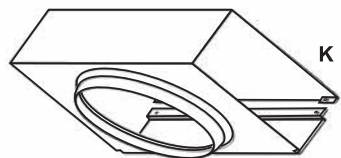
Installation Preparation

RANGE HOOD COMPONENTS

- A. Wall Hood
- B. Upper Duct Cover
- C. Lower Duct Cover
- D. Mounting Screws
- E. Duct Cover Mounting Bracket
- F. Damper
- G. Hood Mounting Bracket
- H. Mounting Anchors
- I. Mounting Screws
- J. Machine Screws
- K. Recirculation Box
- L. Wood Screws

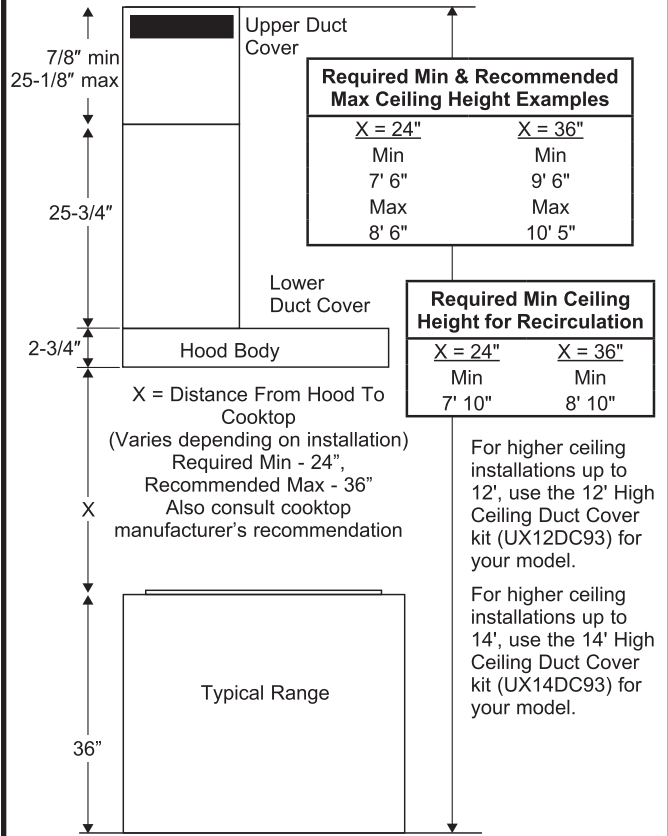


RECIRCULATION COMPONENTS



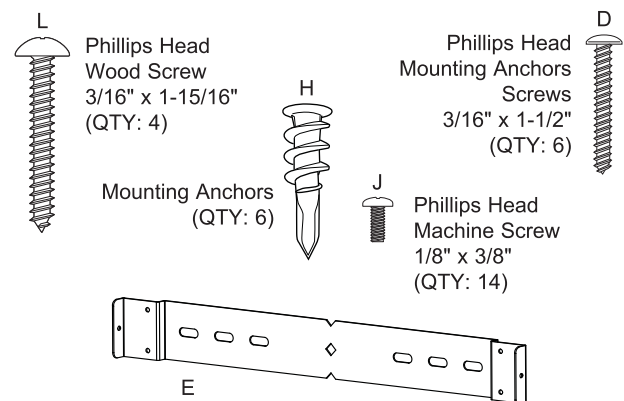
INSTALLATION DIMENSIONS

The Wall Hoods duct covers can be adjusted for different ceiling heights depending on the distance between the bottom of the hood and the cooktop (distance X). See Installation Height Table.



HARDWARE COMPONENTS

NOTE: The chimney extension replaces the upper and lower chimney shipped with the range hood. The hardware included with the hood should be saved and also used with the chimney extension.



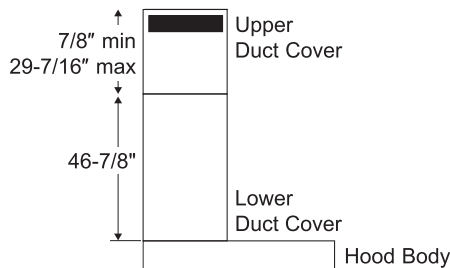
Installation Preparation

INSTALLATION HEIGHT TABLE

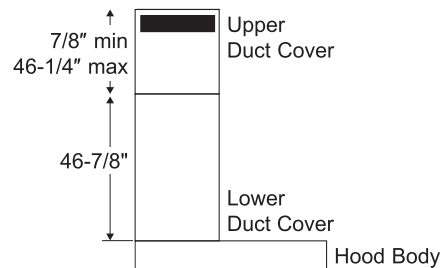
Installation Height with Supplied Duct Covers				(UX12DC93SS or UX12DC93TS)		(UX14DC93SS or UX14DC93TS)	
				Optional High Ceiling Duct Cover up to 12 ft. (not included with unit)		Optional High Ceiling Duct Cover up to 14 ft. (not included with unit)	
Ceiling Height (ft./in.)	Possible Vented Install Height (in.)	Possible Vented Install Height (Recirculation vented Holes Hidden) (in.)	Possible Recirculation Install Height (in.)	Ceiling Height (ft./in.)	Vented and Recirculation Height (in.)	Ceiling Height (in.)	Vented and Recirculation Install Height (in.)
7' 6"	24	24		9' 3"	24	12'	24-36
7' 7"	24-25	24-25		9' 4"	24-25	12' 1"	24-36
7' 8"	24-26	24-26		9' 5"	24-26	12' 2"	24-36
7' 9"	24-27	24-27		9' 6"	24-27	12' 3"	24-36
7' 10"	24-28	24-28	24	9' 7"	24-28	12' 4"	24-36
7' 11"	24-29	24-29	24-25	9' 8"	24-29	12' 5"	24-36
8'	24-30	24-30	24-26	9' 9"	24-30	12' 6"	24-36
8' 1"	24-31	24-31	24-27	9' 10"	24-31	12' 7"	24-36
8' 2"	24-32	24-32	24-28	9' 11"	24-32	12' 8"	24-36
8' 3"	24-33	24-33	24-29	10'	24-33	12' 9"	24-36
8' 4"	24-34	24-34	24-30	10' 1"	24-34	12' 10"	24-36
8' 5"	24-35	24-35	24-31	10' 2"	24-35	12' 11"	24-36
8' 6"	24-36	24-36	24-32	10' 3"	24-36	13'	24-36
8' 7"	24-36	24-36	24-33	10' 4"	24-36	13' 1"	25-36
8' 8"	24-36	24-36	24-34	10' 5"-11' 3"	24-36	13' 2"	26-36
8' 9"	24-36	24-36	24-35	11' 4"	24-36	13' 3"	27-36
8' 10"	24-36	24-36	24-36	11' 5"	24-36	13' 4"	28-36
8' 11"	24-36	24-36	24-36	11' 6"	24-36	13' 5"	29-36
9'	24-36	24-36	24-36	11' 7"	24-36	13' 6"	30-36
9' 1"	24-36	24-36	24-36	11' 8"	25-36	13' 7"	31-36
9' 2"	24-36	25-36	24-36	11' 9"	26-36	13' 8"	32-36
9' 3"	24-36	26-36	24-36	11' 10"	27-36	13' 9"	33-36
9' 4"	24-36	27-36	24-36	11' 11"	28-36	13' 10"	34-36
9' 5"	24-36	28-36	24-36	12'	29-36	13' 11"	35-36
9' 6"	25-36	29-36	25-36			14'	36
9' 7"	26-36	30-36	26-36				
9' 8"	27-36	31-36	27-36				
9' 9"	28-36	32-36	28-36				
9' 10"	29-36	33-36	29-36				
9' 11"	30-36	34-36	30-36				
10'	31-36	35-36	31-36				
10' 1"	32-36	36	32-36				
10' 2"	33-36		33-36				
10' 3"	34-36		34-36				
10' 4"	35-36		35-36				
10' 5"	36		36				

*Based on a 36" electric range height.

For gas range, start chart at 92" and subtract 2" for the maximum install height for each block.



12" High Ceiling Duct Cover Kit



14" High Ceiling Duct Cover Kit

Installation Preparation

ADVANCE PLANNING

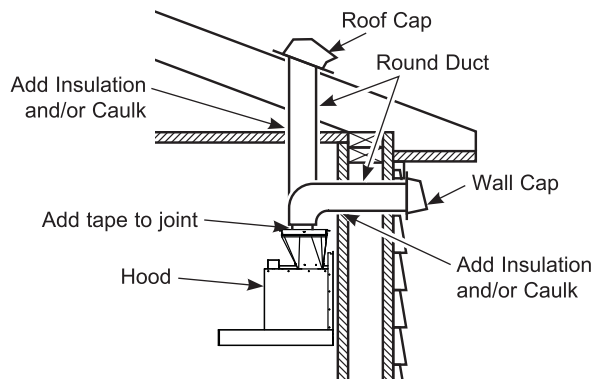
Duct Install Planning

- This hood is designed to be vented vertically through the ceiling. Use an 8" round duct. Use locally supplied elbows to vent horizontally through the rear wall.
- Use metal ductwork only.
- Determine the exact location of the vent hood.
- Plan the route for venting exhaust to the outdoors. To maximize the ventilation performance of the vent system:
 1. Minimize the duct run length and number of transitions and elbows.
 2. Maintain a constant duct size.
 3. Seal all joints with duct tape to prevent any leaks.

NOTE: Flexible vent is not recommended. Flexible vent creates back pressure and air turbulence that greatly reduces performance.

- Maximum equivalent duct length for 100 CFM: 150 foot for vent hoods.
- Install a wall cap or roof cap with damper at the exterior opening. Purchase the wall or roof cap and any transition and length of duct needed in advance.
- When applicable, install any makeup (replacement) air system in accordance with local building code requirements. Use makeup air kit JXMUA8.

Vent system can terminate either through the roof or the wall. To vent through a wall, a 90° elbow is needed and installed immediately above the hood.



Recirculation Install Planning

A recirculation duct (included) and charcoal filter (included) are necessary for recirculation installation.

Power Supply Planning

The location of the power supply connection is called out in the Installing The Hood Bracket Mount section.

POWER SUPPLY

IMPORTANT – (Please read carefully)

⚠ WARNING

FOR PERSONAL SAFETY, THIS APPLIANCE MUST BE PROPERLY GROUNDED.

Remove house fuse or open circuit breaker before beginning installation.

Do not use an extension cord or adapter plug with this appliance. Follow National Electrical Codes or prevailing local codes and ordinances.

Electrical supply

These vent hoods must be supplied with 120V, 60Hz, and connected to an individual, properly grounded branch circuit, and protected by a 15 or 20 amp circuit breaker or time delay fuse.

- Wiring must be 2 wire with ground.
- If the electrical supply does not meet the above requirements, call a licensed electrician before proceeding.
- Route house wiring as close to the installation location as possible in the ceiling or wall.
- Connect the wiring to the house wiring in accordance with local codes.

Grounding instructions

The grounding conductor must be connected to a ground metal, permanent wiring system, or an equipment-grounding terminal or lead on the hood.

⚠ WARNING

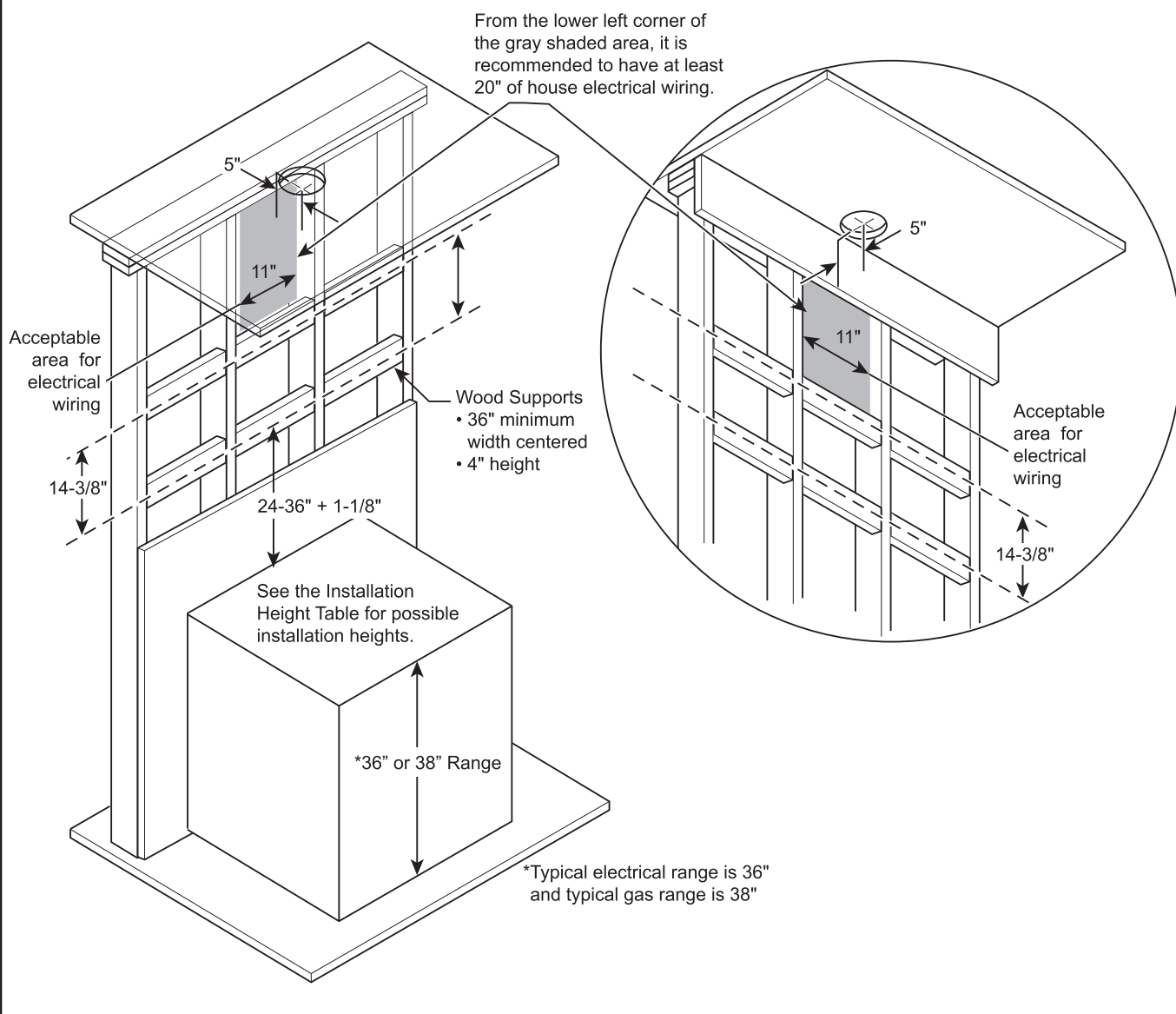
The improper connection of the equipment-grounding conductor can result in a risk of electric shock. Check with a qualified electrician or service representative if you are in doubt whether the appliance is properly grounded.

Installation

NEW CONSTRUCTION, PRE-PLANNING, OR REMODELING

NOTE: For existing construction, skip to the section, Installing The Hood Bracket Mount.

- Install horizontal wood supports between 2 wall studs that align with the vertical mounting height locations shown in the illustration.
- The horizontal supports must be flush with the room side studs.
- For ducted installation, the hole for the duct in the ceiling must be centered 5" away from the finished rear wall.
- The bottom support aligns with the hood mounting bracket. This height depends on the desired height of the hood.
- The top support must be flush with the ceiling.
- The electrical wiring can be located 5-1/2" to the left or right (junction box is on the left) of the centerline. Must remain 7/16" above the back panel and 5" from the ceiling, refer to illustration on next page.

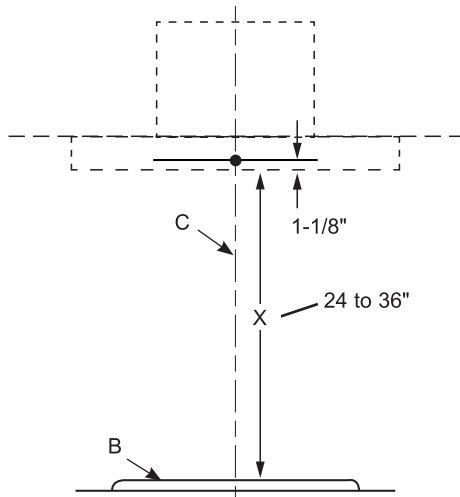


Installation

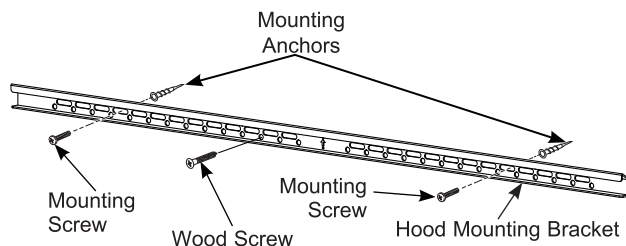
INSTALLING THE HOOD BRACKET MOUNT

Hood Body

1. Put a protective covering over the surface below the location of the hood to protect from dirt and/or damage.
2. Determine and mark the centerline (C) on the wall (draw line up to the ceiling) where the range hood will be installed. Based on the ceiling height, determine the distance between 24" required min, 36" recommended max (X) needed between the cooking surface (B) and the bottom of the hood. Draw a horizontal line at X. Align the install template so that the bottom of the template is centered and is level with the horizontal line drawn at height X.

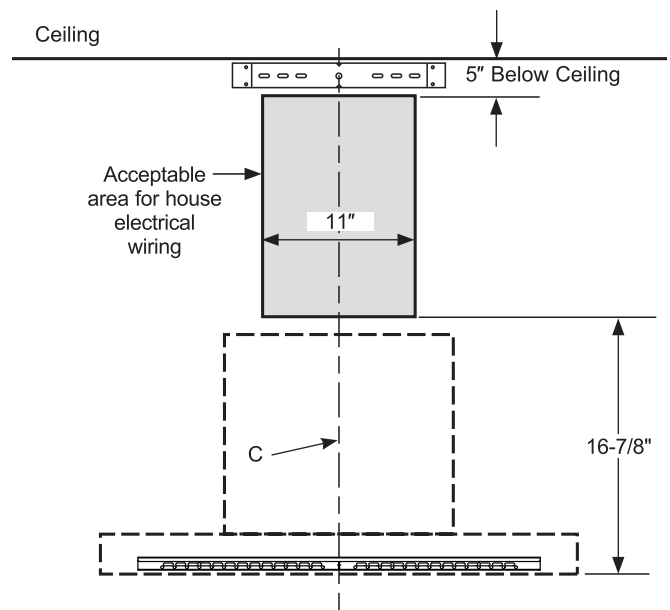


3. Find the stud locations and mark them on the template.
4. Place the hood mounting bracket (G) on its outline on the template. Mark at least one wood screw (L) location that is on a stud. If another stud cannot be found, mark at least two other screw locations for mounting anchors, one on each side of the wood screw (L). Remove the bracket from the wall and install the mounting anchors (H). Place the hood mounting bracket (G) back on the wall and mount it with the wood screws (L) and mounting screws (D) as needed. It is recommended to create a pilot hole in the studs for wood screws (L).



Duct Covers and Power Supply

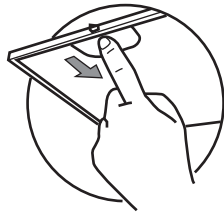
1. Place the duct cover bracket (E) on the wall so that its edge is against the ceiling and level, making sure the slots are in direct contact with the wall. Align the center notches of the bracket and the centerline. Mark the location of the screw holes furthest apart from the center line if possible. If one of the screw holes aligns with a stud, then a wood screw will be used for that location. For the other hole or if there are no studs, install 2 mounting anchors (H). Place the duct cover bracket (E) on the wall and install with wood screws (L) and mounting screws (D) as needed.
2. The house electrical wiring must fall in the gray shaded area shown below. From the lower left corner of the shaded area, a minimum of 20" of house electrical wiring is recommended to reach the electrical junction box on the hood.



Installation

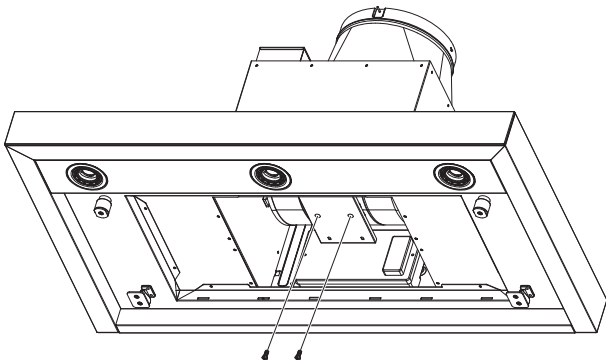
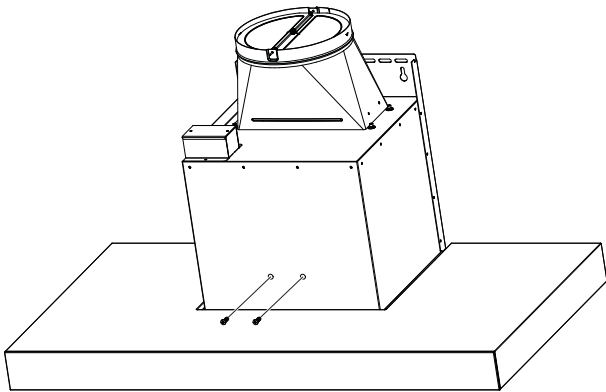
INSTALLING THE HOOD

Remove the grease filters from the unit and set aside. The grease filters are removed by pressing the handle in the front of the filter. When replacing, make sure that the filters are properly positioned with the handles in front and visible.

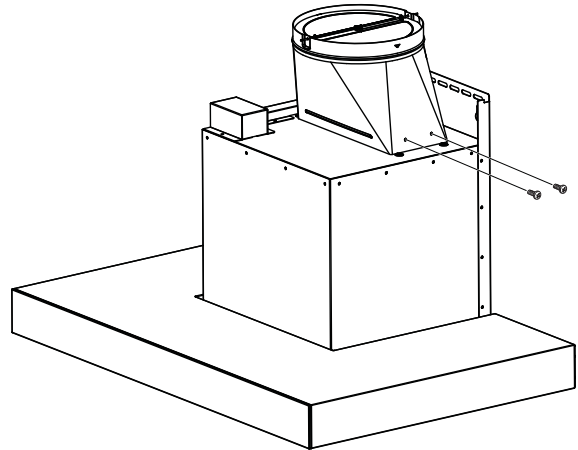


NOTE: On some models, the front panel covers the filters and must be pulled down to access the filters.

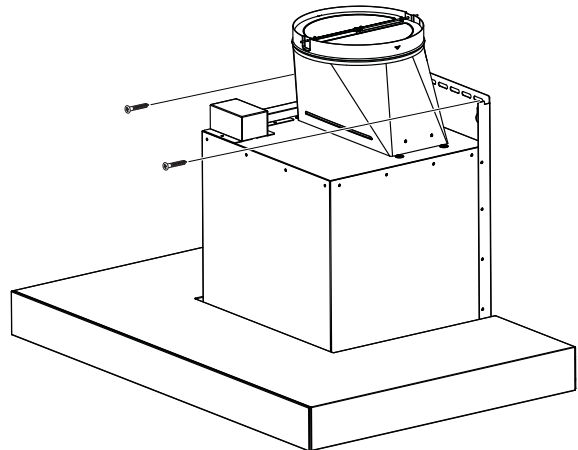
NOTE: This bracket must be removed prior to installation. Remove 2 front and 2 bottom screws per illustration bellow.



1. Securely press the damper on top of the exhaust opening. Check that the damper opens freely. Attach damper to hood using machine screws (J) provided.



2. Remove and properly discard the protective plastic wrapping from the hood and grease filter. Remove the template off the wall.
3. Mount the Range Hood:
 - Using 2 or more people, lift the range hood and place on the hood mounting bracket. Make sure the bracket fully engages the hood body.
 - Install the 2 mounting screws (D) or wood screws (L) as needed into the designated holes on the back panel.

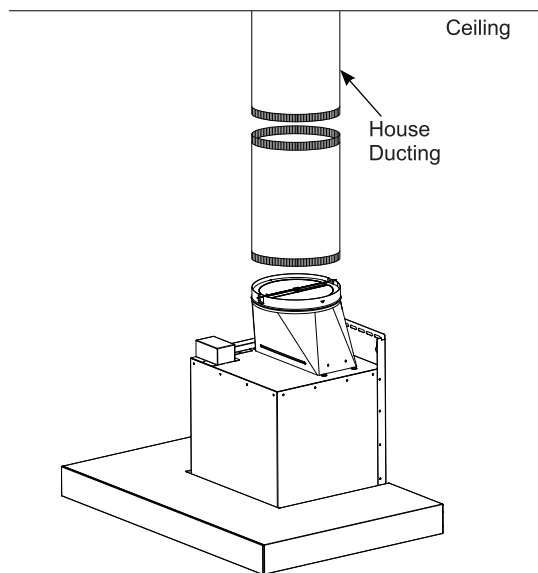


Installation

INSTALLING THE HOOD (Cont.)

A Vented Installations

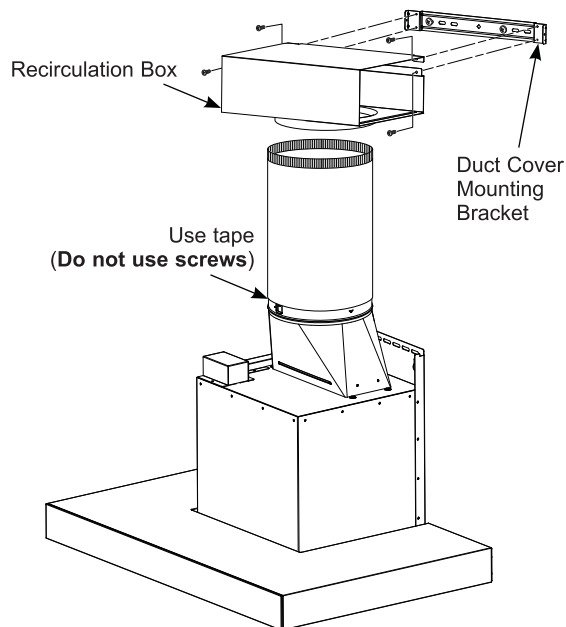
Connect the house ducting to the damper on the hood body. Seal all connections with duct tape (Do not use screws).



B Recirculation (Non-vented)

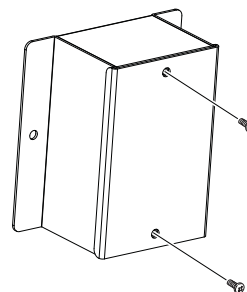
NOTE: A recirculation box, a charcoal filter, and a bracket are included with the hood and are necessary for recirculation installation.

1. Attach the recirculation box to the duct over mounting bracket with 4 machine screws (J).
2. Connect the ducting from the exhaust outlet on the hood to the recirculation box. Use duct tape to seal the connections on the recirculation box and the exhaust outlet.

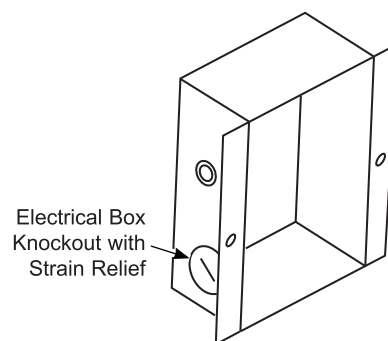


ELECTRICAL CONNECTION

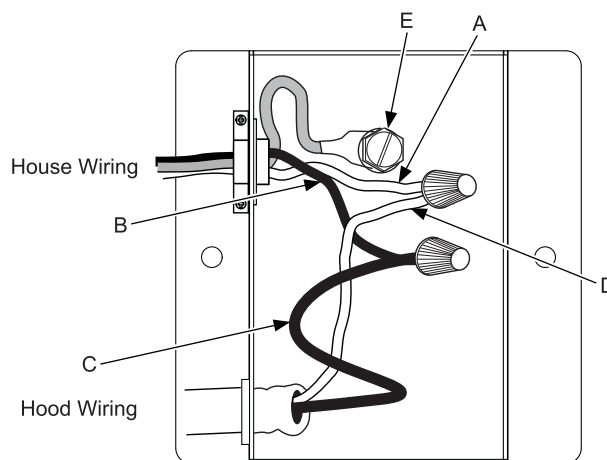
1. Remove the electrical junction box cover.



2. Remove the electrical box knockout.



3. Feed the Power Supply Cable through the hole and secure with a strain relief.
4. Attach the white lead of the power supply (A) to the white lead of the range hood (D) with a wire nut. Attach the black lead of the power supply (B) to the black lead of the range hood (C) with a wire nut. Connect the house ground wire under the green grounding screw (E).



5. Reattach the electrical junction box cover.

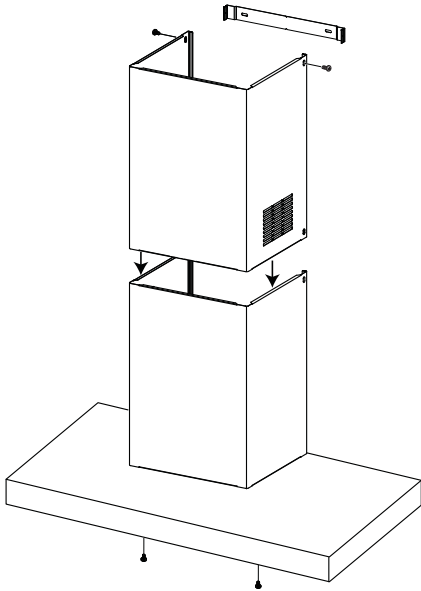
INSTALL DUCT COVERS

1. **For ducted and recirculation installation:**
Remove protective film from duct covers. Place the upper duct cover so that it slides down inside of the lower duct cover.

NOTE: For recirculation, the upper duct cover must be installed with the exhaust vents on the top towards the ceiling.

Depending on the amount of overlap between the top and bottom duct covers, the top may be reversed to hide vent holes. Refer to Installation Height Table for possible heights.

Place the set of duct covers by sitting them down to fit securely on top of the hood. Finish attaching the lower duct cover to the body of the hood with two machine screws (J) that screw from up underneath the hood.



2. Install the upper duct cover by carefully raising it up to avoid scratching until it reaches the ceiling. Push the duct cover flush against the wall, then use two machine screws (J) to mount the upper duct to the duct mounting bracket.
3. If recirculating, install the charcoal filters. Then reinstall the grease filters to the hood, see the Filters section.
4. Turn the power supply on. Turn on the blower and light. If the range hood does not operate, check that the circuit breaker is not tripped or the house fuse blown. If the unit still does not operate, disconnect the power supply and check that the wiring connections have been made properly.

Installation

MAKE UP AIR TECHNOLOGY

Note to Installers and Inspectors: This product comes equipped with a simple installation feature that limits maximum CFM levels in order to comply with certain local codes or regulations. This installation method may not be necessary for all installations, please refer to your local codes for further guidelines.

⚠ CAUTION Hood must be disconnected from main power prior performing the conversion instructions listed below. Failure to do so could result in personal injury or damage to the product.

To modify unit (if needed for local codes):

390CFM or 290CFM

By design, the maximum blower speed is greater than 400 CFM. For local codes requiring reduced CFM, modify the wiring as described below:

1. Open the filter cover panel and remove the filters.
2. Remove the control board box cover.
3. Locate the motor harness plugged into the control board.

**4. A - For a maximum of 390 CFM
Unit can operate with 4 speeds
(Low, Medium, High, Boost).**

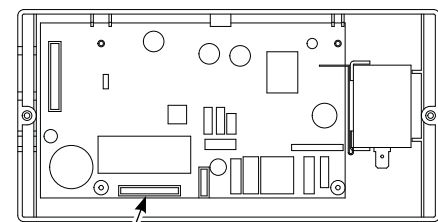
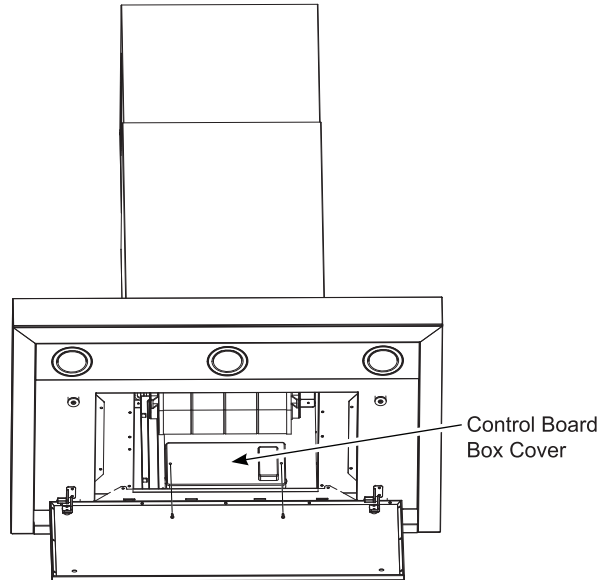
1. Disconnect the connector of the blue wire from the red wire.
2. Connect the 2 red wires together.
3. Cut off the blue unused connector and crimp the end if desired.

**B - For a maximum of 290 CFM
Unit can operate with 3 speeds
(Low, Medium, High).**

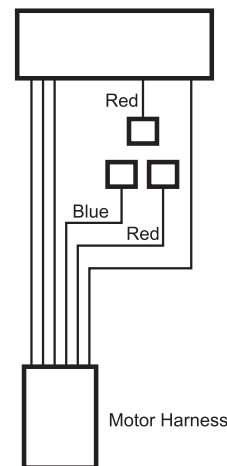
1. Disconnect the connector of the blue wire from the red wire.
2. Cut off the blue unused connector and crimp the end if desired.

5. Reattach the control board box cover and install Filters, see Filters section.

Note to Inspectors: To verify this product was installed in either configuration, check motor wiring connections as described above.



Motor Harness Connector



Troubleshooting tips ... Before you call for service

Save time and money! Review the charts on the following pages first and you may not need to call for service.

Problem	Possible Cause	What To Do
Fan/Light does not operate when button is turned ON	A house fuse may be blown or a circuit breaker tripped.	Replace fuse or reset circuit breaker.
Loud or abnormal airflow noise	Wrong duct size used in installation.	This hood requires 8" ducting to perform optimally. Using smaller duct pipe will cause reduced venting. Minimize the duct run length and number of transitions and elbows. GE Appliances service technicians cannot correct this issue if installed improperly.
Fan fails to circulate air or moves air slower than normal and/or fan is making loud or abnormal airflow noise	Obstructions in duct work.	Make sure nothing is blocking the vent. Make sure your wall or roof cap has a blade or door.
	Damper blade on wall or roof cap may not be open.	Make sure damper swings freely. Damper blades may flip over and will not fully open when this happens. Adjust to original position.
	Metal grease filter and charcoal filter (if present) may be dirty.	Clean the metal grease filter and replace charcoal filter (if present). See Care and Cleaning of the Vent Hood.
	Insufficient makeup (replacement) air	Sufficient makeup (replacement) air is required for exhausting appliances to operate to rating. Check with local building codes, which may require or strongly advise the use of makeup air. Visit GEAppliances.com for available makeup air solutions.
Early light failure	Light wattage is too high.	Replace with correct wattage.
Fan keeps going off and on	The motor is probably overheating and turning itself off. This can be harmful to the motor.	Check to be sure the filters are clean. If off and on cycling continues, call for service.
Hood will not work remotely	Router issues, no wireless signal, etc.	For assistance with hood wireless network connectivity, please call 800.220.6899.
	Hood is not connected.	

GE Appliances Vented Range Hood Warranty

GEAppliances.com

All warranty service is provided by our Factory Service Centers, or an authorized Customer Care® technician. To schedule service online, visit us at www.geappliances.com/service_and_support/, or call GE Appliances at 800.GE.CARES (800.432.2737). Please have your serial number and your model number available when calling for service.

Servicing your appliance may require the use of the onboard data port for diagnostics. This gives a GE Appliances factory service technician the ability to quickly diagnose any issues with your appliance and helps GE Appliances improve its products by providing GE Appliances with information on your appliance. If you do not want your appliance data to be sent to GE Appliances, please advise your technician not to submit the data to GE Appliances at the time of service.

For the period of	GE Appliances will replace
One year From the date of the original purchase	Any part of the cooking product which fails due to a defect in materials or workmanship. During this limited one-year warranty , GE Appliances will provide, free of charge , all labor and related service costs to replace the defective part.

What GE Appliances will not cover:

- Service trips to your home to teach you how to use the product.
- Improper installation, delivery, or maintenance.
- Failure of the product if it is abused, misused, modified, or used for other than the intended purpose or used commercially.
- Replacement of house fuses or resetting of circuit breakers.
- Damage to the product caused by accident, fire, floods, or acts of God.
- Damage to finish, such as surface rust, tarnish, or small blemishes not reported within 48 hours of delivery.
- Incidental or consequential damage caused by possible defects with this appliance.
- Damage caused after delivery.
- Product not accessible to provide required service.
- Service to repair or replace light bulbs, except for LED lamps.

EXCLUSION OF IMPLIED WARRANTIES

Your sole and exclusive remedy is product repair as provided in this Limited Warranty. Any implied warranties, including the implied warranties of merchantability or fitness for a particular purpose, are limited to one year or the shortest period allowed by law.

This warranty is extended to the original purchaser and any succeeding owner for products purchased for home use within the USA. If the product is located in an area where service by a GE Appliances Authorized Servicer is not available, you may be responsible for a trip charge or you may be required to bring the product to an Authorized GE Appliances Service location for service. In Alaska, the warranty excludes the cost of shipping or service calls to your home. Some states do not allow the exclusion or limitation of incidental or consequential damages. This warranty gives you specific legal rights, and you may also have other rights which vary from state to state. To know what your legal rights are, consult your local or state consumer affairs office or your state's Attorney General.

Warrantor: GE Appliances, a Haier company

Extended Warranties: Purchase a GE Appliances extended warranty and learn about special discounts that are available while your warranty is still in effect. You can purchase it online anytime at

www.geappliances.com/service_and_support/shop-for-extended-service-plans.htm

or call 800.626.2224 during normal business hours. GE Appliances Service will still be there after your warranty expires.

Staple your receipt here. Proof of the original purchase date is needed to obtain service under the warranty.

Accessories

Looking For Something More?

GE Appliances offers a variety of accessories to improve your cooking and maintenance experiences!

Refer to the Consumer Support page for phone numbers and website information.

The following products and more are available:

Parts

Power Cord Kit

Make-up Air Kit

Charcoal Filter

Recirculation Kit

Remote Control

12' High Ceiling Duct Cover Kit

14' High Ceiling Duct Cover Kit

Cleaning Supplies

CitruShine™ Stainless Steel Wipes

CERAMA BRYTE® Stainless Steel Appliance Cleaner

Bar Keepers Friend Soft Cleanser™

Consumer Support

GE Appliances Website

Have a question or need assistance with your appliance? Try the GE Appliances Website 24 hours a day, any day of the year! You can also shop for more great GE Appliances products and take advantage of all our on-line support services designed for your convenience. In the US: GEAppliances.com

Register Your Appliance

Register your new appliance on-line at your convenience! Timely product registration will allow for enhanced communication and prompt service under the terms of your warranty, should the need arise. You may also mail in the pre-printed registration card included in the packing material. In the US: GEAppliances.com/register

Schedule Service

Expert GE Appliances repair service is only one step away from your door. Get on-line and schedule your service at your convenience any day of the year. In the US: GEAppliances.com/service or call 800.432.2737 during normal business hours.

Extended Warranties

Purchase a GE Appliances extended warranty and learn about special discounts that are available while your warranty is still in effect. You can purchase it on-line anytime. GE Appliances Services will still be there after your warranty expires. In the US: GEAppliances.com/extended-warranty or call 800.626.2224 during normal business hours.

Remote Connectivity

For assistance with wireless network connectivity (for models with remote enable), visit our website at GEAppliances.com/connected-home-smart-appliances/ or call 800.220.6899 in the US.

Parts and Accessories

Individuals qualified to service their own appliances can have parts or accessories sent directly to their homes (VISA, MasterCard and Discover cards are accepted). Order on-line today 24 hours every day. In the US: GEApplianceparts.com or by phone at 877.959.8688 during normal business hours.

Instructions contained in this manual cover procedures to be performed by any user. Other servicing generally should be referred to qualified service personnel. Caution must be exercised, since improper servicing may cause unsafe operation.

Contact Us

If you are not satisfied with the service you receive from GE Appliances, contact us on our Website with all the details including your phone number, or write to:

In the US: General Manager, Customer Relations | GE Appliances, Appliance Park | Louisville, KY 40225
GEAppliances.com/contact