



RANGE HOODS

SAFETY INFORMATION..... 3

USING THE HOOD

Controls 5

Chef Connect 6

CARE AND CLEANING

Filters 7

Surfaces 8

Lights 8

INSTALLATION INSTRUCTIONS .. 9

TROUBLESHOOTING TIPS..... 20

WARRANTY 21

ACCESSORIES 22

PRODUCT REGISTRATION..... 23

CONSUMER SUPPORT 26

OWNER'S MANUAL & INSTALLATION INSTRUCTIONS

- JVX3240
- JVX3300
- JVX5300
- JVX5360
- PVX7300
- PVX7360



Write the model and serial numbers here:

Model # _____

Serial # _____

You can find them on a label on the inside of the hood.

THANK YOU FOR MAKING GE APPLIANCES A PART OF YOUR HOME.

Whether you grew up with GE Appliances, or this is your first, we're happy to have you in the family.

We take pride in the craftsmanship, innovation and design that goes into every GE Appliances product, and we think you will too. Among other things, registration of your appliance ensures that we can deliver important product information and warranty details when you need them.

Register your GE appliance now online. Helpful websites and phone numbers are available in the Consumer Support section of this Owner's Manual. You may also mail in the pre-printed registration card included in the packing material.



GE APPLIANCES

IMPORTANT SAFETY INFORMATION

READ ALL INSTRUCTIONS BEFORE USING

⚠ WARNING TO REDUCE THE RISK OF FIRE, ELECTRIC SHOCK OR INJURY TO PERSONS, OBSERVE THE FOLLOWING:

- A. Use this unit only in the manner intended by the manufacturer. If you have questions, contact the manufacturer.
- B. Before servicing or cleaning unit, switch power off at service panel and lock the service disconnecting means to prevent power from being switched on accidentally. When the service disconnecting means cannot be locked, securely fasten a prominent warning device, such as a tag, to the service panel.
- C. Do not use this unit with any solid-state speed control device.
- D. This unit must be grounded.

⚠ WARNING TO REDUCE THE RISK OF A RANGE TOP GREASE FIRE:

- A. Never leave surface units unattended at high settings. Boilovers cause smoking and greasy spillovers that may ignite. Heat oils slowly on medium settings.
- B. Always turn hood ON when cooking at high heat or when flambéing food (i.e. Crepes Suzette, Cherries Jubilee, Peppercorn Beef Flambé).
- C. Clean ventilating fans frequently. Grease should not be allowed to accumulate on fan or filter.
- D. Use proper pan size. Always use cookware appropriate for the size of the surface element.

⚠ WARNING TO REDUCE THE RISK OF INJURY TO PERSONS IN THE EVENT OF A RANGE TOP GREASE FIRE, OBSERVE THE FOLLOWING*:

- A. SMOTHER FLAMES with a close-fitting lid, cookie sheet or metal tray, then turn off the burner. BE CAREFUL TO PREVENT BURNS. If the flames do not go out immediately, EVACUATE AND CALL THE FIRE DEPARTMENT.
- B. NEVER PICK UP A FLAMING PAN—You may be burned.
- C. DO NOT USE WATER, including wet dishcloths or towels—a violent steam explosion will result.
- D. Use an extinguisher ONLY if:
 - 1. You know you have a Class ABC extinguisher, and you already know how to operate it.
 - 2. The fire is small and contained in the area where it started.
 - 3. The fire department is being called.
 - 4. You can fight the fire with your back to an exit.

*Based on "[Kitchen Fire Safety](#)" published by NFPA.

⚠ CAUTION FOR GENERAL VENTILATING USE ONLY. DO NOT USE TO EXHAUST HAZARDOUS OR EXPLOSIVE MATERIALS AND VAPORS.

READ AND SAVE THESE INSTRUCTIONS

IMPORTANT SAFETY INFORMATION

READ ALL INSTRUCTIONS BEFORE USING

REMOTE ENABLE EQUIPMENT (on some models)

This device complies with part 15 of the FCC Rules. Operation is subject to the following two conditions: (1) This device may not cause harmful interference, and (2) this device must accept any interference received, including interference that may cause undesired operation.

The wireless communication equipment installed on this hood has been tested and found to comply with the limits for a Class B digital device, pursuant to part 15 of the FCC Rules. These limits are designed to:

(a) provide reasonable protection against harmful interference in a residential installation. This equipment generates, uses, and can radiate radio frequency energy and, if not installed and used in accordance with the instructions, may cause harmful interference to radio communications. However, there is no guarantee that interference will not occur in a particular installation. If this equipment does cause harmful interference to radio or television reception, which can be determined by turning the equipment off and on, the user is encouraged to try to correct the interference by one or more of the following measures:

- Reorient or relocate the receiving antenna.
- Increase the separation between the equipment and receiver.
- Connect the equipment into an outlet on a circuit different from that to which the receiver is connected.
- Consult the dealer or an experienced radio/TV technician for help.

(b) accept any interference received, including interference that may cause undesired operation of the device.

Note that any changes or modifications to the wireless communication device installed on this oven that are not expressly approved by the manufacturer could void the user's authority to operate the equipment.

How to Remove Protective Shipping Film and Packaging Tape

Carefully grasp a corner of the protective shipping film with your fingers and slowly peel it from the appliance surface. Do not use any sharp items to remove the film. Remove all of the film before using the appliance for the first time.

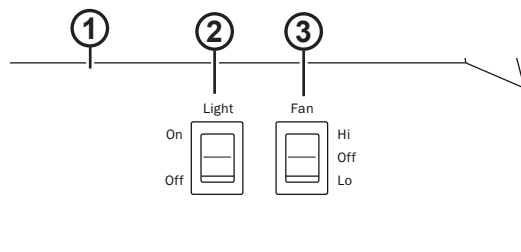
To assure no damage is done to the finish of the product, the safest way to remove the adhesive from packaging tape on new appliances is an application of a household liquid dishwashing detergent. Apply with a soft cloth and allow to soak.

NOTE: The adhesive must be removed from all parts.

READ AND SAVE THESE INSTRUCTIONS

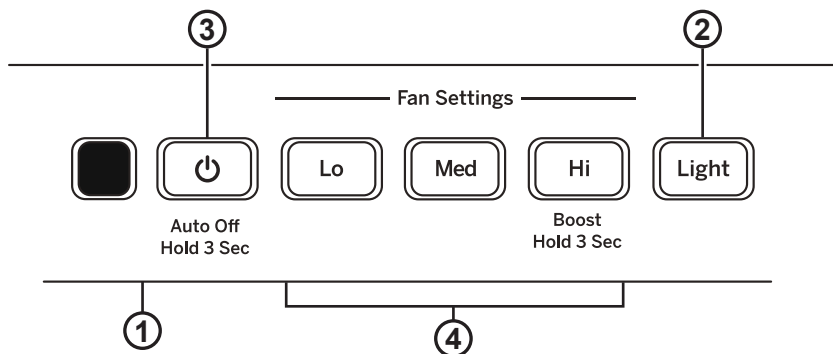
Controls

On Some Models



1. **Rangehood Control Panel:** The control panel is located on the front of the canopy.
2. **Light Switch:** Light switch toggles between On and Off.
3. **Fan Power Switch:** The power switch toggles between fan settings Hi, Lo, and Off.

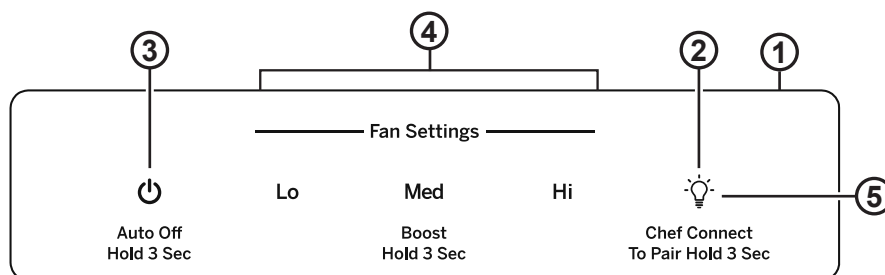
On Some Models



1. **Rangehood Control Panel:** The control panel is located on the front of the canopy.
2. **Light Button:** On/Night/Off switch for the lights. Press the **LIGHT** button to turn the lights on, again to set the lights to night setting, and again to turn off.
3. **Fan Off Button:** Off switch for the fan. The fan can be operated by pressing any of the fan setting buttons. Hold for 3 seconds to activate auto off after 15 minutes.
4. **Fan Settings Buttons:** Speed control for fan. Press the button **Lo** for LOW speed, **Med** for MEDIUM speed and **Hi** for HIGH speed. Hold down the **Hi** button for 3 seconds to activate the **BOOST SPEED** that will run for 10 minutes.

Controls

On Some Models



- 1. Rangehood Control Panel:** The glass touch control panel is located on the front of the canopy.
- 2. Light Pad:** On/Night/Off switch for the lights. Press the **LIGHT** pad to turn the lights on, again to set the lights to night setting, and again to turn off.
- 3. Auto Off Pad:** Off switch for the fan. The fan can be operated by pressing any of the fan setting pads. Hold for 3 seconds to activate auto off after 15 minutes.
- 4. Fan Settings Pads:** Speed control for fan. Press the pad **Lo** for LOW speed, **Med** for MEDIUM speed and **Hi** for HIGH speed. Hold down the **Hi** button for 3 seconds to activate the BOOST SPEED that will run for 10 minutes.
- 5. Chef Connect:** This is a Bluetooth® pairing feature for use with other compatible Chef Connect enabled products on a cooktop or a range. When the device is paired, the light and fan will turn ON at the Default Sync Settings upon receiving a command from the range or cooktop. It will remain ON at that setting until the user changes it.

Chef Connect

Chef Connect Operation Bluetooth® Connection

To pair with another device:

To start the pairing process on the hood, press and hold the **Light** pad for 3 seconds. The backlight for the Lo – Med – Hi – Light will flash in that sequence until the hood is paired with the range or other device. If the pairing is successful, all 4 lights (Lo, Med, Hi, and Light) will flash three times simultaneously and then turn off.

It will time out after 2 minutes if pairing is not completed. After which the pairing sequence will need to be restarted.

To cancel pairing:

To cancel the pairing hold the **Light** pad for 3 seconds and then turn off the hood.

Default Sync Settings:

The factory default setting for the light will be the brightest.

The factory default setting for the fan sync will be OFF.

The user can change the Default Sync Settings by pressing and holding the **Lo** pad for 3 seconds. This will enter the Default Settings Mode. Once in this mode, the backlights for all buttons (Lo, Med, Hi, and Light) will blink On/Off indefinitely and the fan and light will switch to the current Default Sync Setting, so the user knows what the current default value is. At this time, set the light and fan to the desired default levels. Once the user is satisfied with the selection, press and hold the **Off** pad for 3 seconds. This will exit this mode. At that time the backlights will stop blinking and the state of the fan and light will change back to their prior state before entering the Default Settings Mode.

Filters

Be sure the circuit breaker is off and all surfaces are cool before cleaning or servicing any part of the vent hood.

Metal Grease Filter

The metal filters trap grease during cooking.

The filter must ALWAYS be in place when the hood is in use. The grease filter is dishwasher-safe and should be cleaned every 6 months, or as needed.

To remove:

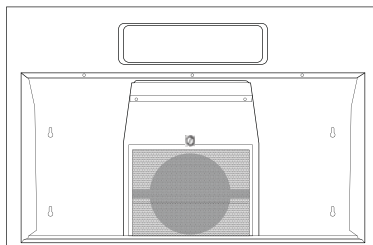
Pull downward on the filter lock to release the filter.

To replace:

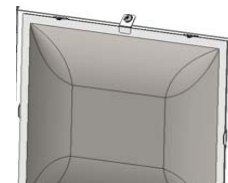
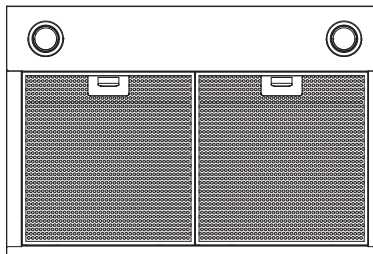
Fit the tabs at the bottom of the filter into the slots in the back of the filter opening. Lift up the front side of the filter and push gently until the filter locks into place. Make sure the filter lock is in the closed position to secure the filter.

To clean, swish the filter in hot soapy water and rinse in clean water or wash it in the dishwasher. Do not use abrasive cleansers.

NOTE: Some discoloration may occur in the dishwasher.



NOTE: For this configuration one grease filter is only used in the vented mode. To release the filter, remove the screw. (See below)



Charcoal Filter (for recirculation installation only)

If the model is not vented to the outside, the air needs to be recirculated through a disposable charcoal filter that helps remove smoke and odors.

NOTE: DO NOT rinse, or put charcoal filter in an automatic dishwasher.

The charcoal filter cannot be cleaned. It must be replaced. It is recommended that the charcoal filter be replaced every 6-12 months or if it is noticeably dirty or discolored.

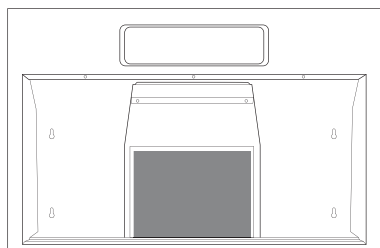
To inquire about purchasing replacement charcoal filters or to find the location of a dealer nearest you, please call us at 1-800-561-3344.

To install (on some models):

1. Remove the metal filters—see Metal Grease Filter section.
2. Place the side of the charcoal filter with the tabs against the bottom of the blower.
3. Drive screws in the 2 locations shown in the picture.
4. Replace the metal filters—see Metal Grease Filter section.

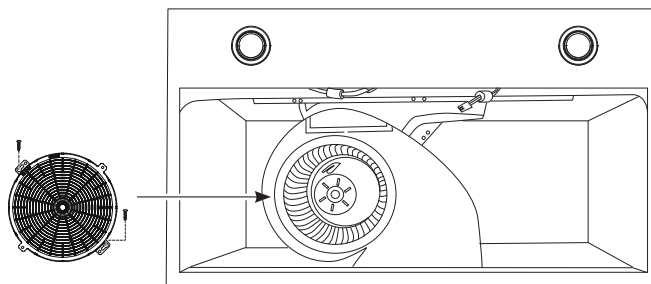
To remove:

1. Remove the metal filters—see Metal Grease Filter section.
2. Remove the 2 screws holding the charcoal filter in place to remove.



Charcoal filter included on this model.

NOTE: For this configuration charcoal filter is installed in place of grease filter.



Charcoal filter not included on this model.

Surfaces

Stainless Steel Surfaces (on some models)

Do not use a steel wool pad; it will scratch the surface.

To clean the stainless steel surface, use warm sudsy water or a stainless steel cleaner or polish. Always wipe the surface in the direction of the brush line. Follow the cleaner instructions for cleaning the stainless steel surface.

Use only a liquid cleanser free of grit and rub in the direction of the brush lines with a damp soft sponge.

To inquire about purchasing stainless steel appliance cleaner or polish, or to find the location of a dealer nearest you, please call us at 1-800-561-3344.

Painted Surfaces (on some models)

Do not use a steel wool pads or other abrasive cleaners; they will scratch the surface.

Clean grease-laden surfaces of the hood frequently. To clean the hood surface, use a hot, damp cloth with a mild detergent suitable for painted surfaces. About one tablespoon of ammonia may be added to the water. Use a clean, hot, damp cloth to remove soap. Dry with a dry, clean cloth.

NOTE: When cleaning, take care not to come in contact with filters and other surfaces.

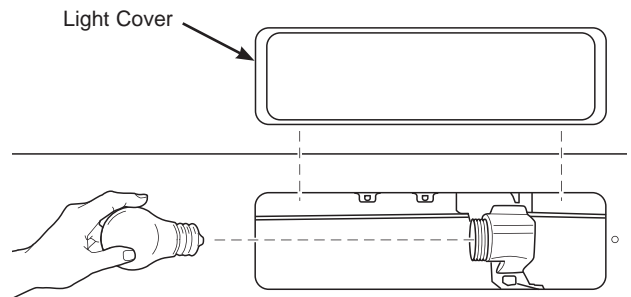
CAUTION When cleaning the hood surfaces, be certain that you do not touch the light with moist hands or cloth. A warm or hot light may break if touched with a moist surface. Always let the light cool completely before cleaning around it.

Lights

CAUTION Allow lights to cool before touching.

On Some Models

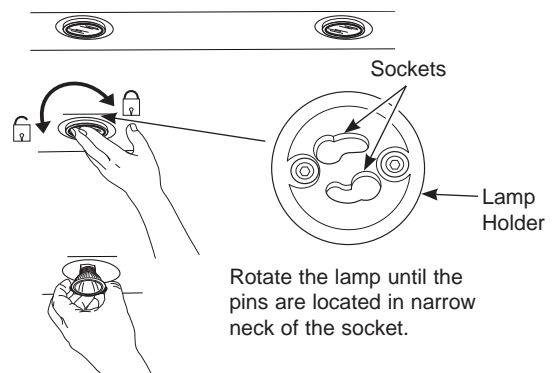
1. Before attempting to replace the lights, make sure that the light switch is turned off.
2. Remove light cover.
3. Unscrew light counterclockwise to unlock light and pull out.
4. Replace with new light of same type (standard incandescent), making sure socket is properly inserted into the housing of the lamp holder.



On Some Models

1. Before attempting to replace the lights, make sure that the light switch is turned off.
2. Rotate light counterclockwise to unlock and pull out. Wearing latex gloves may offer a better grip.
3. Replace with new light of same type, making sure pins are inserted properly into the sockets of the lamp holder and turn clockwise to lock.

All lamps need to be GU10 compatible.



Installation Instructions

Under the Cabinet (UTC) Hoods

JVX3240, JVX3300, JVX5300, JVX5360, PVX7300, PVX7360

? "If you have questions, call GE Appliances at 1-800-561-3344 or visit our website at: GEAppliances.ca"

BEFORE YOU BEGIN

Read these instructions completely and carefully.

- **IMPORTANT** — Save these instructions for local inspector's use.
- **IMPORTANT** — Observe all governing codes and ordinances.
- **Note to Installer** – Be sure to leave these instructions with the Consumer.
- **Note to Consumer** – Keep these instructions for future reference.
- **Skill level** – Installation of this vent hood requires basic mechanical and electrical skills.
- Proper installation is the responsibility of the installer.
- Product failure due to improper installation is not covered under the Warranty.

FOR YOUR SAFETY

⚠ WARNING Before beginning the installation, switch power off at service panel and lock the service disconnecting means to prevent power from being switched on accidentally. When the service disconnecting means cannot be locked, securely fasten a prominent warning device, such as a tag, to the service panel.

⚠ CAUTION To reduce risk of fire and to properly exhaust air, be sure to duct air outside. Do not vent exhaust air into spaces within walls or ceilings or into attics, crawl spaces or garages.

⚠ WARNING TO REDUCE THE RISK OF FIRE, ELECTRIC SHOCK OR INJURY TO PERSONS, OBSERVE THE FOLLOWING:

- A. Installation work and electrical wiring must be done by qualified person(s) in accordance with all applicable codes and standards, including fire-rated construction.
- B. Sufficient air is needed for proper combustion and exhausting of gases through the flue (chimney) of fuel burning equipment to prevent back drafting. Follow the heating equipment manufacturer's guidelines and safety standards such as those published by the National Fire Protection Association (NFPA), the American Society for Heating, Refrigeration and Air Conditioning Engineers (ASHRAE) and the local code authorities.
- C. When cutting or drilling into wall or ceiling, do not damage electrical wiring and other hidden utilities.
- D. Ducted fans must always be vented to the outdoors.

⚠ WARNING TO REDUCE THE RISK OF FIRE, USE ONLY METAL DUCT WORK.

⚠ WARNING Disconnect all electrical power at the main circuit breaker or fuse box before installing.

Installation Preparation

DUCTWORK REQUIREMENTS

▲WARNING TO REDUCE THE RISK OF FIRE, USE ONLY METAL DUCTWORK.

NOTE: Read the ductwork sections only if you do not have existing ductwork. If you have existing ductwork, skip to the "Damage" section and proceed.

The venting system must exhaust to the outside.

This hood can be vented vertically through upper cabinets or horizontally through an outside wall. Ductwork is not included.

Exhaust connection

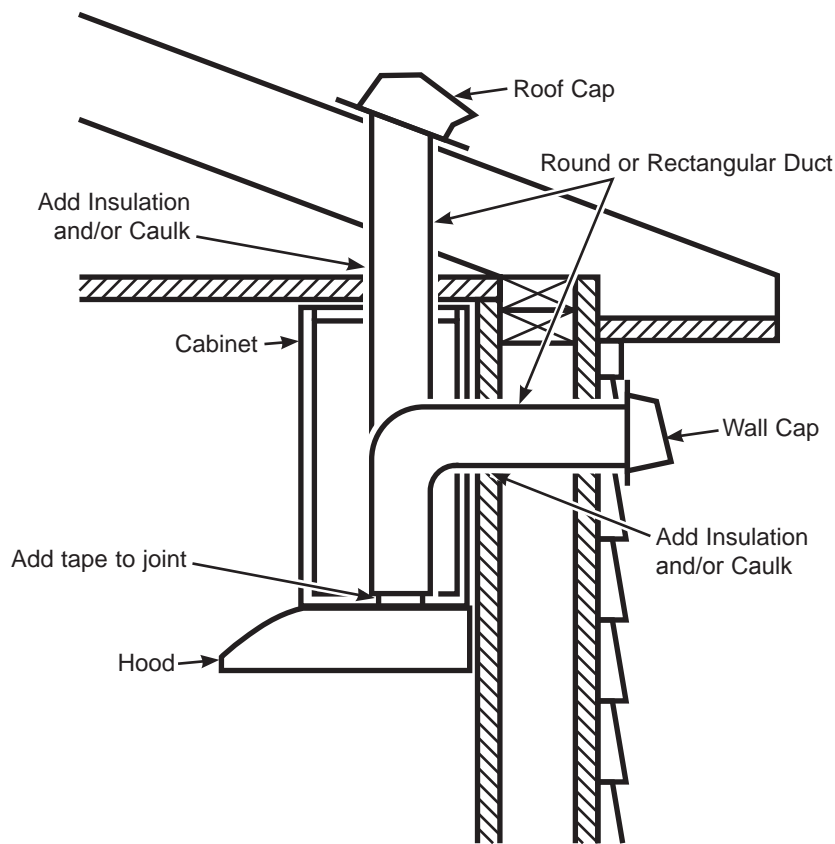
This hood is designed to be vented vertically using a 7" round duct or a 3 ¼" x 10" rectangular duct or horizontally using a 3 ¼" x 10" rectangular duct. **Do not use less than a 7" diameter duct.**

Duct length

The ducting from this fan to the outside of the building has a strong effect on the air flow, noise and energy use of the fan. Use the shortest, straightest duct routing possible for best performance, and avoid installing the fan with smaller ducts than recommended. Insulation around the ducts can reduce energy loss and inhibit mold growth. Fans installed with existing ducts may not achieve their rated air flow.

NOTE: For an ENERGY STAR® model, unit must be vented mode to be considered ENERGY STAR® certified.

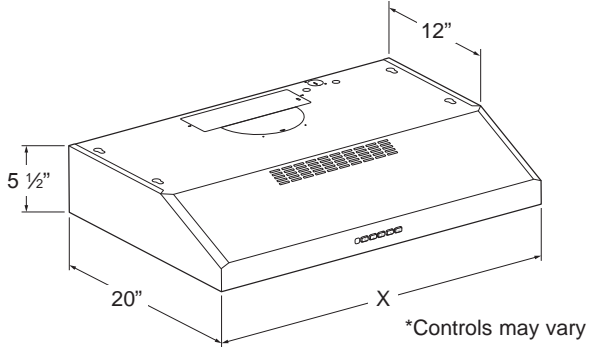
INSULATION AND/OR CAULK AROUND THE DUCTS



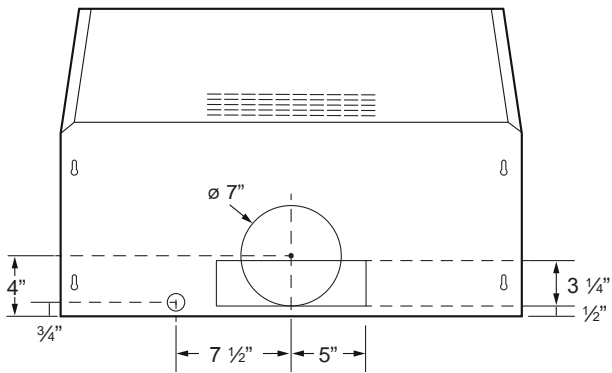
1" = 2.5 cm; 1' = 0.3 m

Installation Preparation

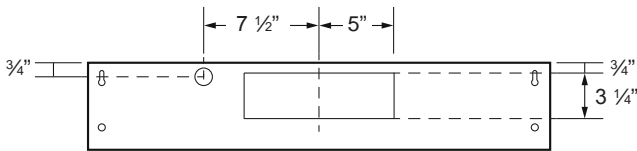
PRODUCT DIMENSIONS



Size	X
24"	23 15/16"
30"	29 15/16"
36"	35 15/16"



Top View

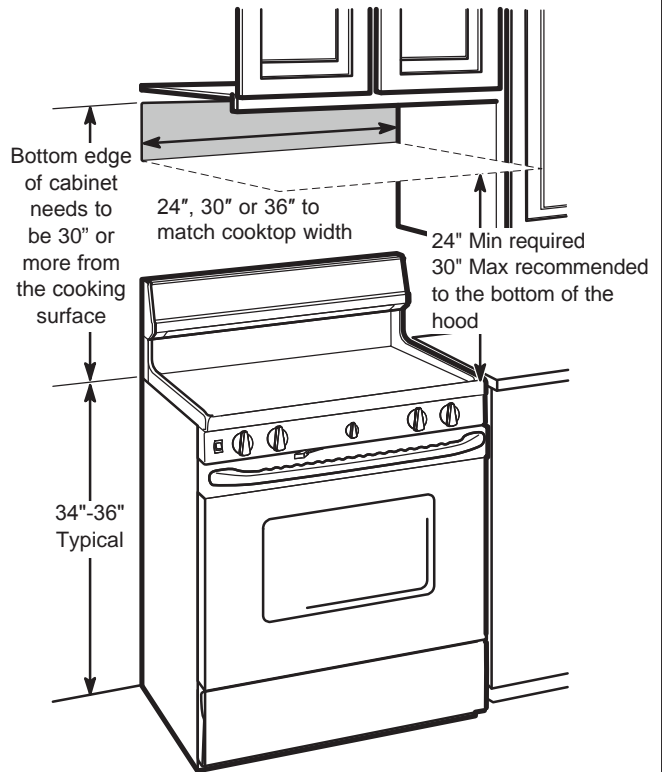


Back View

NOTES:

- Hood width may be greater than the width of the range or cooktop, but it may not be smaller.
- Installation height should be measured from the cooking surface to the lowest part of the hood. This hood must be installed onto a cabinet. It can be vented to the outdoors, or it can be installed for recirculating operation.

MOUNTING SPACE



PLAN THE INSTALLATION

⚠ CAUTION

To reduce risk of fire and to properly exhaust air, be sure to duct the air outside – Do not vent exhaust air into spaces within walls or ceilings or into attics, crawl spaces, or garages.

PARTS SUPPLIED FOR INSTALLATION

- 1 Hardware Package
- 1 Literature Package
- 1 Vented Mode Deflector Part

PARTS NEEDED FOR INSTALLATION

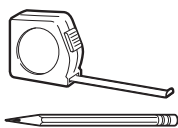
- 1 Strain Relief
- Power Supply Cable
- 1 Wall or Roof Cap (for external venting only)
- All Metal Ductwork (for external venting only)

NOTE: This range hood can be installed as either ducted or recirculation. In a ducted application, this range hood can be vented through the wall or ceiling. When installed for recirculation, the range hood vents out the front of the hood.

NOTE: Before making any cuts or holes for installation, determine which venting method will be used and carefully calculate all measurements.

Installation Preparation

TOOLS AND MATERIALS REQUIRED (NOT SUPPLIED)



Pencil and tape measure



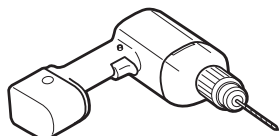
Safety glasses



Spirit level



Wire cutter/stripper



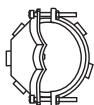
Electric drill, #2 Phillips, flat head, and 3/32" drill bit



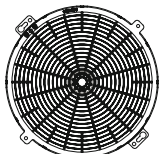
UL listed wire nuts



Torx 10, 15, 20 driver



Strain relief for junction box

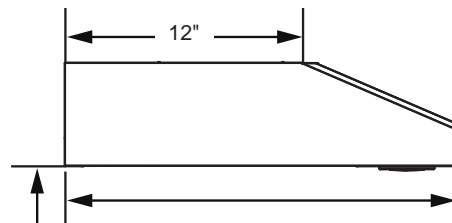


Charcoal Filter (required for some models in recirculation mode)

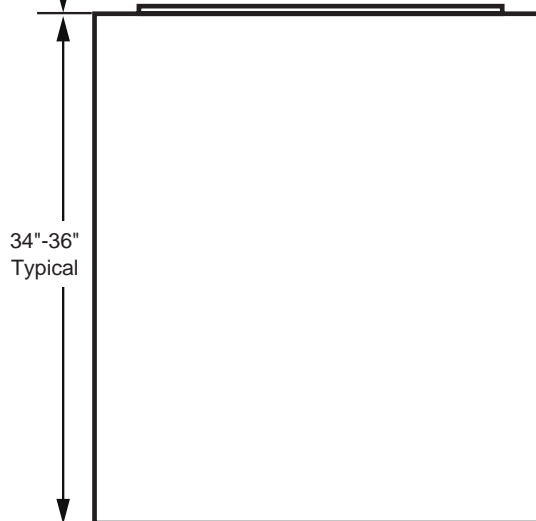


Aluminized Duct tape

INSTALLATION DIMENSIONS



X = Distance from hood to cooktop
(varies depending on installation)
Required Min. = 24"
Recommended Max. = 30"



REMOVE THE PACKAGING

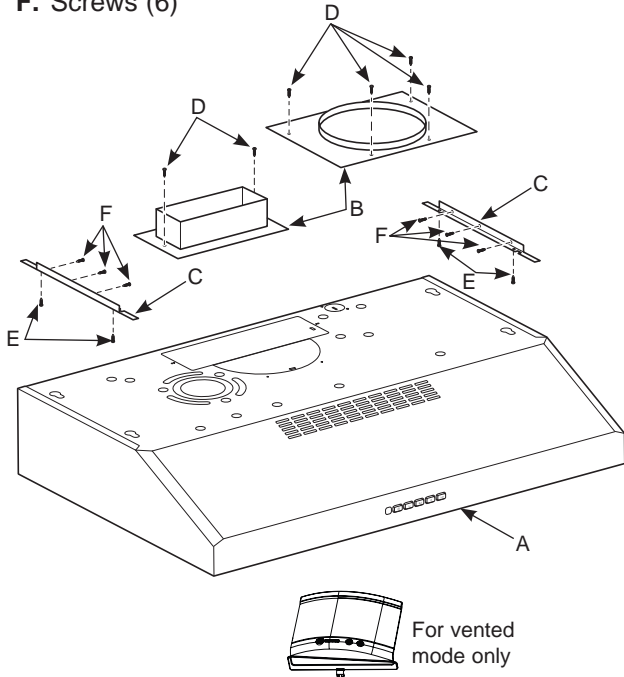
⚠ CAUTION Wear gloves to protect against sharp edges.

- Remove the hardware bag, literature package and other boxed parts.
- Remove and properly discard the protective plastic wrapping and other packaging materials.

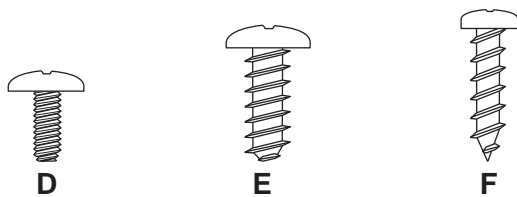
Installation Preparation

RANGE HOOD COMPONENTS

- A. Hood Body
- B. Damper/Duct Connector
- C. Mounting Bracket
- D. Screws (4)
- E. Screws (4)
- F. Screws (6)



HARDWARE COMPONENTS



ADVANCE PLANNING

Vented Install Planning

- This hood is designed to be vented vertically using a 7" round duct or a 3 1/4" x 10" rectangular duct or horizontally using a 3 1/4" x 10" rectangular duct.
- Use metal ductwork only.
- Determine the exact location of the vent hood.
- Plan the route for venting exhaust to the outdoors. To maximize the ventilation performance of the vent system:
 1. Minimize the duct run length and number of transitions and elbows.
 2. Maintain a constant duct size.
 3. Seal all joints with duct tape to prevent any leaks.
 4. Do not use any type of flexible ducting.
- Install a wall cap or roof cap at the exterior opening. Purchase the wall or roof cap and any transition and length of duct needed in advance.
- When applicable, install any makeup (replacement) air system in accordance with local building code requirements.

Recirculation Install Planning

This hood may be installed in recirculation mode and is shipped in this configuration. The charcoal filter is necessary for recirculation installation.

This part may need to be ordered separately depending on model.

Power Supply Planning

The location of the power supply connection is called out in the **Prepare for Electrical and Venting** section on page 15.

Installation Preparation

POWER SUPPLY

IMPORTANT – (Please read carefully)

⚠ WARNING

FOR PERSONAL SAFETY, THIS APPLIANCE MUST BE PROPERLY GROUNDED.

Remove house fuse or open circuit breaker before beginning installation.

Do not use an extension cord or adapter plug with this appliance. Follow National Electrical Codes or prevailing local codes and ordinances.

Electrical supply

These vent hoods must be supplied with 120V, 60Hz, and connected to an individual, properly grounded branch circuit, and protected by a 15 or 20 amp circuit breaker or time delay fuse.

- Wiring must be 2 wire with ground.
- If the electrical supply does not meet the above requirements, call a licensed electrician before proceeding.
- Route house wiring as close to the installation location as possible in the ceiling or wall.
- Connect the wiring to the house wiring in accordance with local codes.

Grounding instructions

The grounding conductor must be connected to a ground metal, permanent wiring system, or an equipment-grounding terminal or lead on the hood.

⚠ WARNING

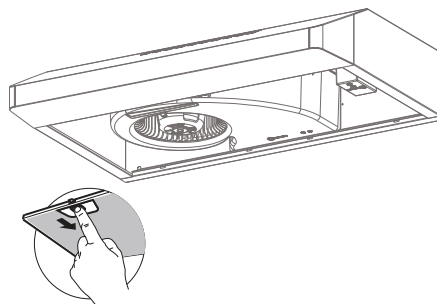
The improper connection of the equipment-grounding conductor can result in a risk of electric shock. Check with a qualified electrician or service representative if you are in doubt whether the appliance is properly grounded.

FILTER AND GRID

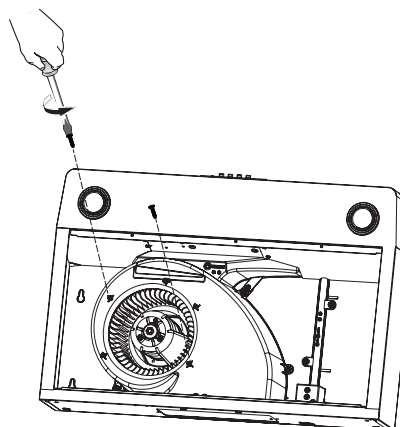
IMPORTANT – (Please read carefully)

⚠ WARNING

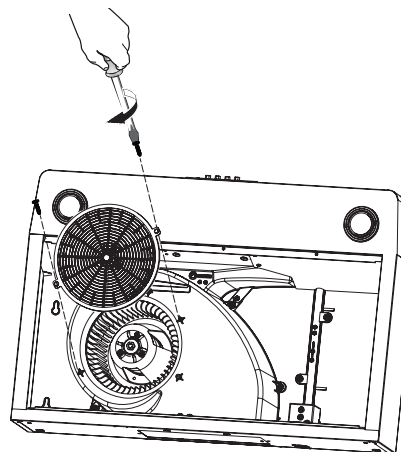
Remove the filters one at a time by pushing them towards the back of the group and pulling down at the same time.



Remove the 2nd screw as shown.



Install the grid with 2 screws removed previously as shown in the picture.

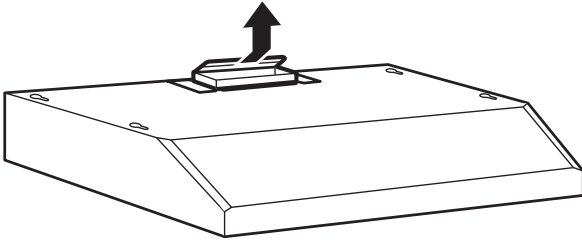


1" = 2.5 cm; 1' = 0.3 m

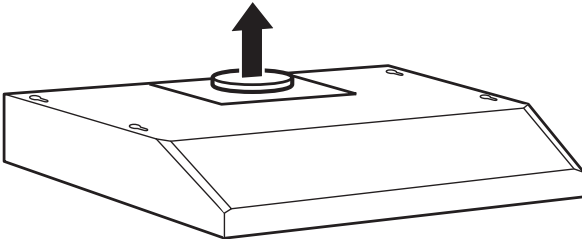
Installation Preparation

1 SELECT VENT OPTION THAT YOUR INSTALLATION WILL REQUIRE (A-D)

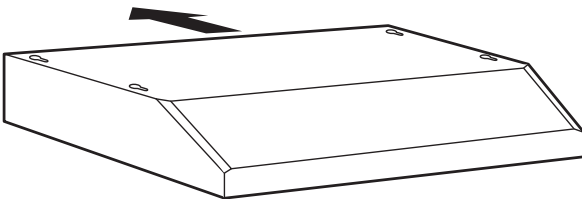
A Outside top exhaust
(Vertical duct—3 ¼" x 10" Rectangular)



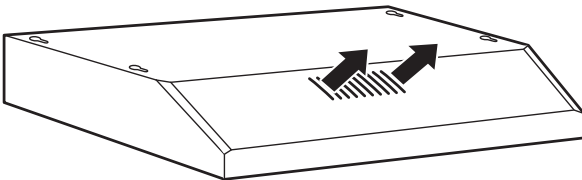
B Outside top exhaust
(Vertical duct—7" Round)



C Outside rear exhaust
(Horizontal duct—3 ¼" x 10" Rectangular)

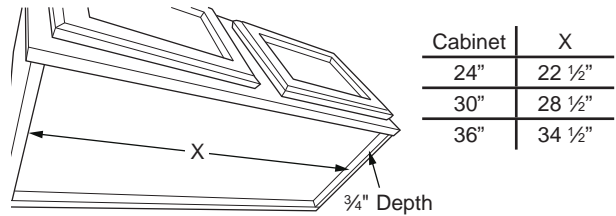


D Recirculating
(Unit is configured from factory in this mode)



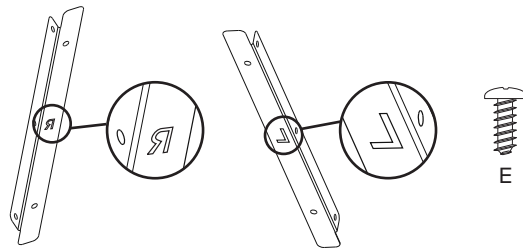
2 PREPARING MOUNTING

For cabinets with dimensions below, the mounting bracket may be used for any model. Otherwise, the hood must mount directly to bottom of cabinet. Wood shims may be needed for cabinets with a recessed bottom. Skip to step B.

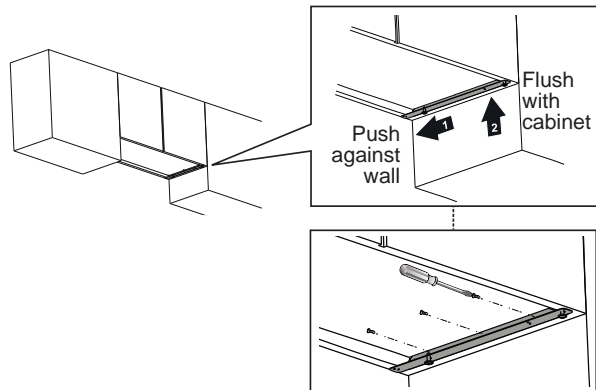


A To install the mounting bracket

Drive (E) screws in partway into mounting bracket. The bracket labeled "R" will be used on the right side of the cabinet and the bracket labeled "L" will be used on the left side of the cabinet.



Under the cabinet that you are placing the range hood, attach the mounting bracket as shown below with (F) screws. Make sure orientation is correct. Brackets should be located against the back wall and flush with the bottom of the cabinet.



NOTE: Repeat on left side.

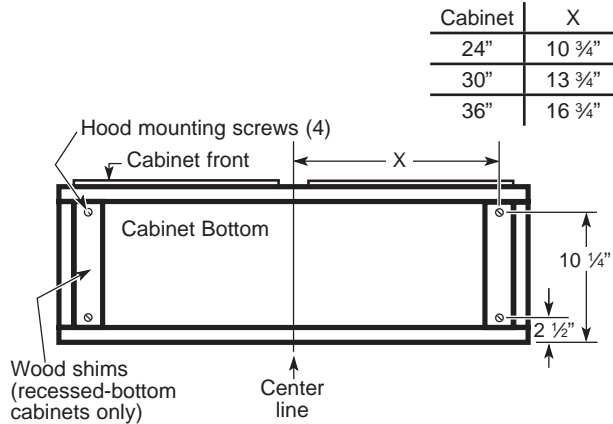
Installation Preparation

2 PREPARING MOUNTING (Cont)

B To install to the bottom of cabinet

Use the diagram or hood as a template and mark the locations on the cabinet for the keyholes screws.

Drive the 4 (F) screws partway into the bottom of the cabinet (or wood shims).

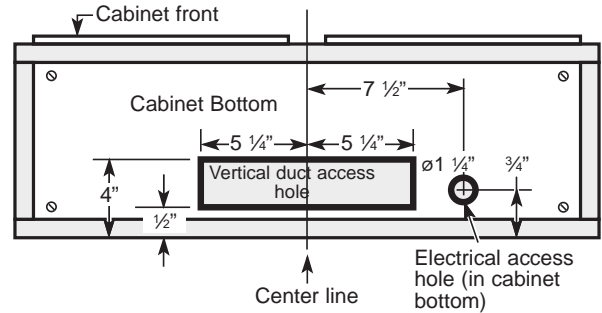


3 PREPARE FOR ELECTRICAL AND VENTING

Select the vent option that your installation will require and proceed to that section:

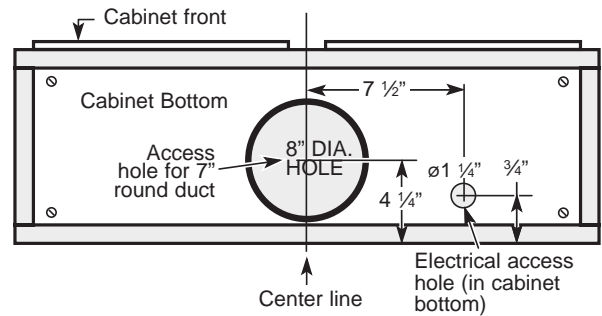
A Outside top exhaust (Vertical duct—3 1/4" x 10" Rectangular)

- Use the diagram as a template and mark the locations on the cabinet for ductwork and electrical wiring.



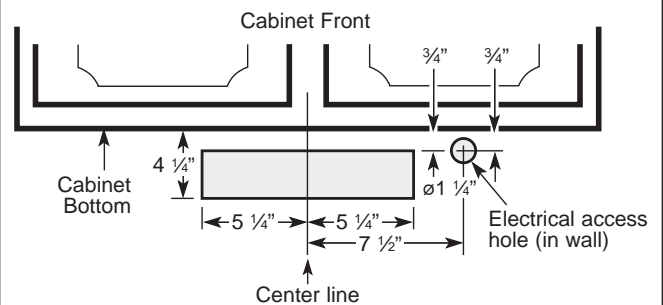
B Outside top exhaust (Vertical duct—7" Round)

- Use the diagram as a template and mark the locations on the cabinet for ductwork and electrical wiring.



C Outside rear exhaust (Horizontal duct—3 1/4" x 10" Rectangular)

- Use the diagram as a template and mark the locations on the cabinet for ductwork and electrical wiring.

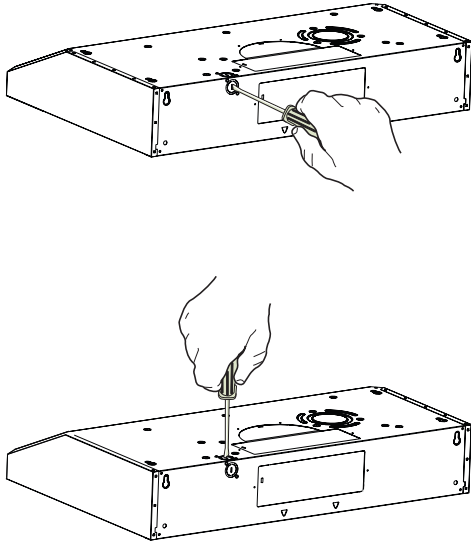


1" = 2.5 cm; 1' = 0.3 m

Installation Preparation

4 REMOVE ELECTRICAL KNOCKOUTS

Use a flat blade screwdriver, remove the appropriate electrical knockout from the back or the top of the hood.

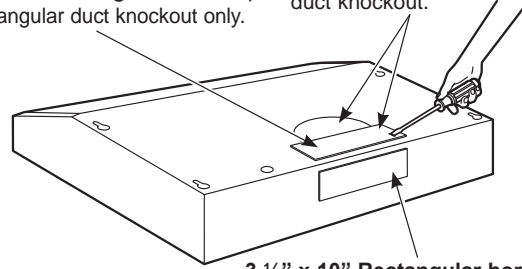


6 REMOVE DUCT KNOCKOUT(S) FOR VENTED INSTALLATION

Determine which ducting option to use. Using a flat blade screwdriver, remove the appropriate **duct knockout(s)** from the top or back of the hood.

3 1/4" x 10" Rectangular vertical discharge. Remove top rectangular duct knockout only.

7" Round vertical discharge. Remove semi-circular duct knockout and top rectangular duct knockout.



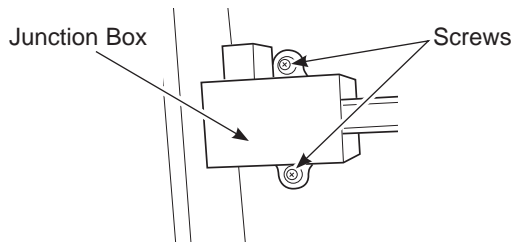
3 1/4" x 10" Rectangular horizontal discharge. Remove rear rectangular duct knockout only.

NOTE: If the hood is to be installed in a recirculation, non-vented ductless manner, do not remove any venting knockouts.

NOTE: For an ENERGY STAR® model, unit must be vented mode to be considered ENERGY STAR® certified.

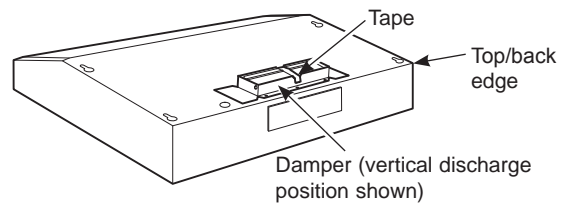
5 REMOVE JUNCTION BOX

Remove junction box from inside the hood. Set the junction box and mounting screws aside.

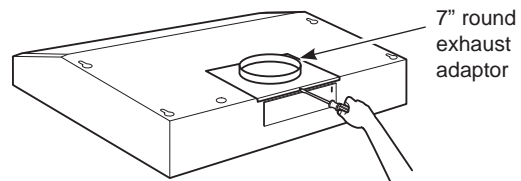


7 ATTACH DAMPER/DUCT CONNECTOR

Attach **damper/duct connector** over knockout opening with two or four (D) screws. Make sure damper **pivot** is nearest to **top/back edge** of hood. Remove any packaging tape to allow damper to move freely.



Rectangular Ducting



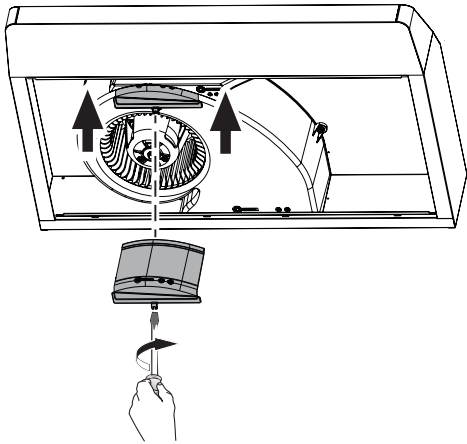
Round Ducting

Installation Instructions

8 FOR VENTED INSTALLATIONS

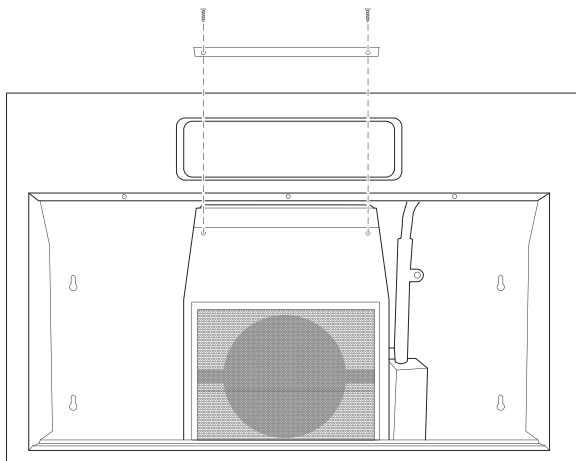
On Some Models:

Install with vented mode deflector part.



On Some Models:

Install vented mode deflector part.

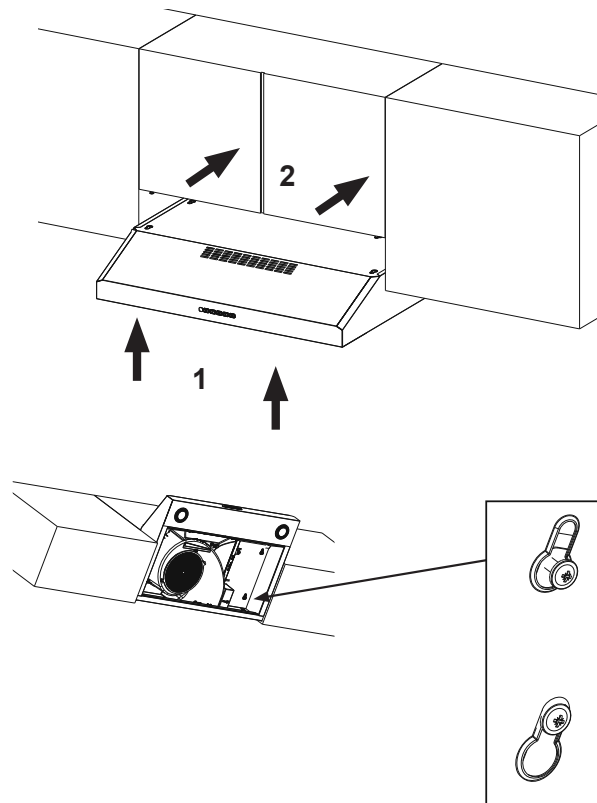


9 FEED IN WIRES

Lift the hood into position and feed the house wiring through the wiring knockout.

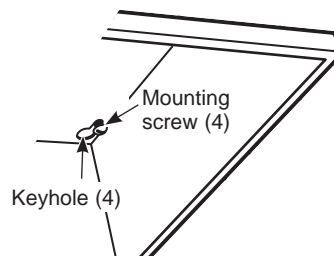
10 MOUNT THE UTC

Place the hood onto the partially installed screws using the keyholes and slide the hood back into position.



11 SECURE HOOD

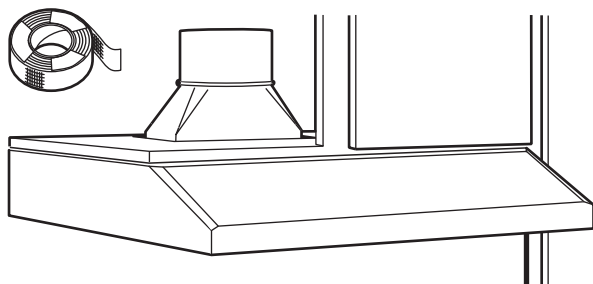
Tighten the mounting screws. Be sure the screw heads are in the narrow neck of the keyhole slot.



Installation Instructions

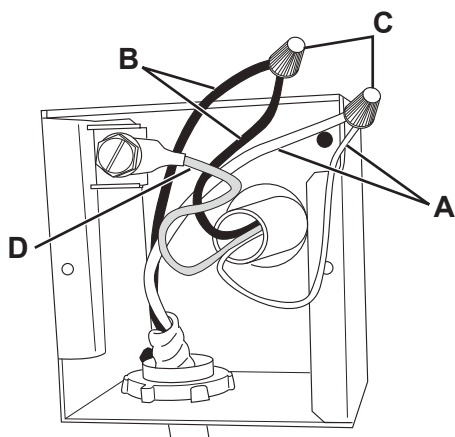
12 CONNECT DUCTWORK TO HOOD (Ducted installations only)

Connect ducting to hood. Use duct tape to make joints secure and airtight.



13 ELECTRICAL CONNECTION

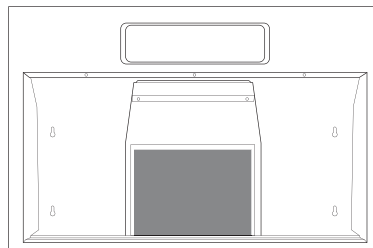
1. Connect the Power Supply Cable to the range hood. Attach the **white** lead of the power supply to the **white** lead of the range hood (**A**) with a wire nut (**C**). Attach the **black** lead of the power supply to the **black** lead of the range hood (**B**) with a wire nut (**C**). Connect the **green** (**D**) ground wire under the green grounding screw.
2. Replace the junction box cover.



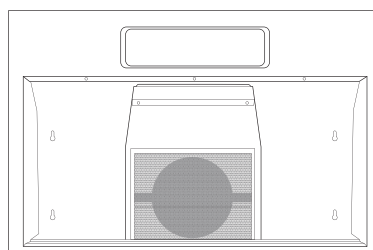
14 FINISH THE INSTALLATION

On Some Models:

1. **For recirculation:** Install the charcoal filter.

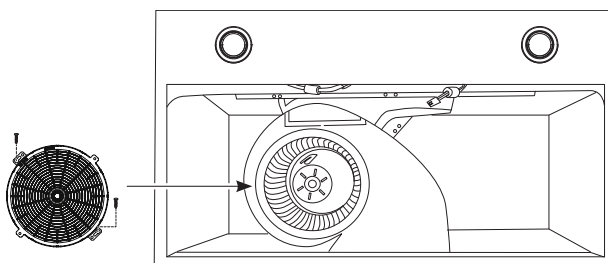


2. **For ducted installation:** Install the grease filters.

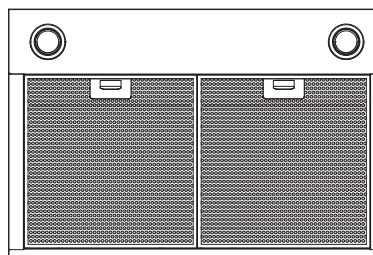


On Some Models:

1. **For recirculation:** Place the charcoal filter (not included) in place and mount using 2 screws. Replace the grease filters.



2. **For vented installation:** Install the grease filters.



Troubleshooting tips ... Before you call for service

Save time and money! Review the charts on the following pages first and you may not need to call for service.

Problem	Possible Cause	What To Do
Fan/Light does not operate when either button is pressed	A house fuse may be blown or a circuit breaker tripped.	Replace fuse or reset circuit breaker.
Fan does not operate when fan Lo, Med, Hi buttons are pressed	The blower connector is loose or not plugged into its mating connector.	Disconnect power to the unit. Remove the filters and look up at the blower. If the blower connector plug is loose or you see the connector dangling, the installer failed to plug it in securely. See the mini manual for the plug location and how to plug in the connector.
Loud or abnormal airflow noise	Wrong duct size used in installation.	Using smaller duct pipe will cause reduced venting. Minimize the duct run length and number of transitions and elbows. GE service technicians cannot correct this issue if installed improperly.
Fan fails to circulate air or moves air slower than normal and/or fan is making loud or abnormal airflow noise	Obstructions in duct work.	Make sure nothing is blocking the vent. Make sure your wall or roof cap has a blade or door.
	Damper blade on wall or roof cap may not be open.	Make sure damper swings freely. Damper blades may flip over and will not fully open when this happens. Adjust to original position.
	Metal grease filter and charcoal filter (if present) may be dirty.	Clean the metal grease filter and replace charcoal filter (if present). See Care and Cleaning of the Vent Hood.
	Insufficient makeup (replacement) air	Sufficient makeup (replacement) air is required for exhausting appliances to operate to rating. Check with local building codes, which may require or strongly advise the use of makeup air.
The hood controls are not operating correctly	Control logic confused.	Disconnect power to the hood by resetting the circuit breaker. Wait 30 seconds to allow controls to reset.
Early light failure	Light wattage is too high.	Replace with correct wattage.
Fan continually cycles off and on	The motor is probably overheating and turning itself off. This can be harmful to the motor. Filter may be excessively soiled.	Clean the metal grease filter and replace charcoal filter (if present). See Care and Cleaning of the Vent Hood.

GE Appliances Vented Range Hood Warranty

WARRANTY

GEAppliances.ca

All warranty service is provided by our Factory Service Centers, or an authorized Customer Care® technician. To schedule service online, visit us at <http://www.geappliances.ca/en/support/service-request>, or call GE Appliances at 1-800-561-3344. Please have your serial number and your model number available when calling for service.

Servicing your appliance may require the use of the onboard data port for diagnostics. This gives a GE Appliances factory service technician the ability to quickly diagnose any issues with your appliance and helps GE Appliances improve its products by providing GE Appliances with information on your appliance. If you do not want your appliance data to be sent to GE Appliances, please advise your technician not to submit the data to GE Appliances at the time of service.

For the period of	MC Commercial Inc. will replace
One year From the date of the original purchase	Any part of the cooking product which fails due to a defect in materials or workmanship. During this limited one-year warranty , MC Commercial Inc. will provide, free of charge , all labor and related service costs to replace the defective part.

What MC Commercial Inc. will not cover:

- Service trips to your home to teach you how to use the product.
- Improper installation, delivery, or maintenance.
- Failure of the product if it is abused, misused, modified, or used for other than the intended purpose or used commercially.
- Replacement of house fuses or resetting of circuit breakers.
- Damage to the product caused by accident, fire, floods, or acts of God.
- Damage to finish, such as surface rust, tarnish, or small blemishes not reported within 48 hours of delivery.
- Incidental or consequential damage caused by possible defects with this appliance.
- Damage caused after delivery.
- Product not accessible to provide required service.
- Service to repair or replace light bulbs, except for LED lamps.

EXCLUSION OF IMPLIED WARRANTIES

Your sole and exclusive remedy is product repair as provided in this Limited Warranty. Any implied warranties, including the implied warranties of merchantability or fitness for a particular purpose, are limited to one year or the shortest period allowed by law.

This warranty is extended to the original purchaser and any succeeding owner for products purchased for home use within Canada. If the product is located in an area where service by a MC Commercial Inc. Authorized Servicer is not available, you may be responsible for a trip charge or you may be required to bring the product to an Authorized MC Commercial Inc. Service location for service.

Warrantor: MC Commercial Inc.

Staple your receipt here. Proof of the original purchase date is needed to obtain service under the warranty.

Accessories

Looking For Something More?

GE Appliances offers a variety of accessories to improve your cooking and maintenance experiences!

Refer to the Consumer Support page for phone numbers and website information.

The following products and more are available:

Parts

Charcoal Filter

Remote Control

Replacement Lights

15" Cabinet Filler Panel

Please place in envelope and mail to:
Veuillez mettre dans une enveloppe et envoyez à :

**OWNERSHIP REGISTRATION
P.O. BOX 1780
MISSISSAUGA, ONTARIO
L4Y 4G1**

**(FOR CANADIAN CONSUMERS ONLY -
POUR RÉSIDENTS CANADIENS SEULEMENT)**



For Canadian
Customers



Pour les
consommateurs
canadiens

CUT ALONG THIS LINE AND RETURN CARD - THANKS
DÉCOUPEZ ICI ET ENVOYEZ LA FICHE - MERCI

OWNERSHIP REGISTRATION CERTIFICATE – FICHE D'INSCRIPTION DU PROPRIÉTAIRE

Please register your product to enable us to contact you in the remote event a safety notice is issued for this product and to allow for efficient communication under the terms of our warranty, should the need arise.

Veuillez enregistrer votre produit afin de nous permettre de communiquer avec vous si jamais un avis de sécurité concernant ce produit était émis et de communiquer facilement avec vous en vertu de votre garantie, si le besoin s'en fait sentir.

REGISTER ON-LINE: ENREGISTREMENT SUR INTERNET À :		www.geappliances.ca		MAIL TO: P.O. BOX 1780, MISSISSAUGA	
		www.electromenagersge.ca		POSTEZ À : ONTARIO, L4Y 4G1	
<input type="checkbox"/> MR. / M.	<input type="checkbox"/> MRS. / MME	FIRST NAME / PRÉNOM		LAST NAME / NOM	
<input type="checkbox"/> MISS/MILLE	<input type="checkbox"/> MS.				
STREET NO / N° RUE		STREET NAME / RUE			APT.NO/APP./RR#
CITY / VILLE			PROVINCE	POSTAL CODE/CODE POSTAL	
AREA CODE/IND. RÉG.	TELEPHONE/TÉLÉPHONE	E-MAIL/COURRIEL			
DID YOU PURCHASE A SERVICE CONTRACT FOR THIS APPLIANCE? AVEZ-VOUS ACHETÉ UN CONTRAT DE SERVICE POUR CET APPAREIL ?				YES/OUI	<input type="checkbox"/> IF YES/SI OUI : EXPIRATION
				NO/NON	<input type="checkbox"/> Y/A M DJ
NAME OF SELLING DEALER / NOM DU MARCHAND				MODEL / MODÈLE	
INSTALLATION DATE / DATE D'INSTALLATION		CORRESPONDENCE		<input type="checkbox"/> ENGLISH	
Y/A M DJ		CORRESPONDANCE		<input type="checkbox"/> FRANÇAIS	
		SERIAL / SÉRIE			
<input type="checkbox"/> I do not wish to receive any promotional offers regarding this product. Je ne désire pas recevoir d'offres promotionnelles concernant ce produit.					

Notes

Consumer Support

GE Appliances Website

Have a question or need assistance with your appliance? Try the GE Appliances Website 24 hours a day, any day of the year! You can also shop for more great GE Appliances products and take advantage of all our on-line support services designed for your convenience. Visit **GEAppliances.ca**

Register Your Appliance

Register your new appliance on-line at your convenience! Timely product registration will allow for enhanced communication and prompt service under the terms of your warranty, should the need arise.

You may also mail in the pre-printed registration card included in the packing material.

<http://www.geappliances.ca/en/support/register-your-appliance>

Schedule Service

Expert GE Appliances repair service is only one step away from your door. Get on-line and schedule your service at your convenience any day of the year. Visit us at **<http://www.geappliances.ca/en/support/service-request>** or call 1-800-561-3344 during normal business hours.

Parts and Accessories

Individuals qualified to service their own appliances can have parts or accessories sent directly to their homes. Order by calling your local GE Appliances parts and accessories retailer or call us at 1-800-561-3344 during normal business hours for more information.

Instructions contained in this manual cover procedures to be performed by any user. Other servicing generally should be referred to qualified service personnel. Caution must be exercised, since improper servicing may cause unsafe operation.

Contact Us

If you are not satisfied with the service you receive from GE Appliances, contact us on our Website with all the details including your phone number, or write to:

Director, Consumer Relations | MC Commercial Inc., 1 Factory Lane, Suite 310 | Moncton, N.B. E1C 9M3

<http://www.geappliances.ca/en/support/service-request>