



Radiant Cooktop

Safety Instructions 2-4

Operating Instructions

Cookware Tips 8, 9

Dual Surface Element 7

Features of Your Cooktop 5

Surface Elements 6, 7

Temperature Limiter 7

Care and Cleaning

Control Knobs 9

Glass Cooktop 10, 11

Installation

Instructions 12-20

Troubleshooting Tips 21

Consumer Support

Consumer Support Back Cover

Warranty 24

*Owner's Manual and
Installation Instructions*

JP256

Par rayonnement

Table de cuisson

*Manuel d'utilisation
et Instructions
d'Installation*

La section française commence à la page 29

Radiante

Estufa

*Manual del propietario
y Instrucciones
de instalación*

La sección en español empieza en la página 53

*Write the model and serial
numbers here:*

Model # _____

Serial # _____

You can find them on a label
under the cooktop.

IMPORTANT SAFETY INFORMATION. READ ALL INSTRUCTIONS BEFORE USING.

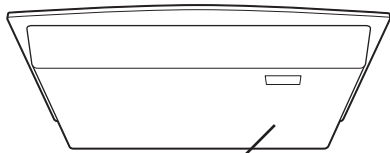
⚠ WARNING!

For your safety, the information in this manual must be followed to minimize the risk of fire or explosion, electric shock, or to prevent property damage, personal injury, or loss of life.

SAFETY PRECAUTIONS

When using electrical appliances, basic safety precautions should be followed, including the following:

- Use this appliance only for its intended use as described in this manual.
- Do not attempt to repair or replace any part of your cooktop unless it is specifically recommended in this manual. All other servicing should be referred to a qualified technician.
- Before performing any service, disconnect the cooktop power supply at the household distribution panel by removing the fuse or switching off the circuit breaker.
- Be sure your appliance is properly installed and grounded by a qualified technician in accordance with the provided installation instructions. This appliance must be supplied with the proper voltage and frequency, and connected to an individual, properly grounded branch circuit, protected by a circuit breaker or fuse acceptable for the indicated wattage on the name plate.
- Always keep dishtowels, dish cloths, pot holders and other linens a safe distance away from your cooktop.
- Always keep wooden and plastic utensils and canned food a safe distance away from your cooktop. They may become hot and could cause burns.
- Never wear loose-fitting or hanging garments while using the appliance. Flammable material could be ignited if brought in contact with hot surface elements and may cause severe burns.
- Use only dry pot holders—moist or damp pot holders on hot surfaces may result in burns from steam. Do not let pot holders touch hot surface elements. Do not use a towel or other bulky cloth. Such cloths can catch fire on a hot surface element.



Name plate location

- For your safety, never use your appliance for warming or heating the room.
- Do not use water on grease fires. Never pick up a flaming pan. Turn the controls off. Smother a flaming pan on a surface element by covering the pan completely with a well-fitting lid, cookie sheet or flat tray. Use a multi-purpose dry chemical or foam-type extinguisher.
- Flaming grease outside a pan can be put out by covering with baking soda or, if available, by using a multi-purpose dry chemical or foam-type fire extinguisher.
- Do not flame foods on the cooktop. If you do flame foods under the hood, turn the fan on.
- Do not let cooking grease or other flammable materials accumulate on the cooktop.
- Have the installer show you the location of the circuit breaker or fuse. Mark it for easy reference.
- Do not leave children alone—children should not be left alone or unattended in an area where an appliance is in use. They should never be allowed to sit or stand on any part of the appliance.
- Teach children not to play with the controls or any other part of the cooktop.
- Do not allow anyone to climb, stand or hang on the cooktop.
- **⚠ CAUTION:** Items of interest to children should not be stored in cabinets above a cooktop—children climbing on the cooktop to reach items could be seriously injured.
- Always keep combustible wall coverings, curtains or drapes a safe distance from your cooktop.

⚠ WARNING!

SAFETY PRECAUTIONS

- Do not touch surface elements. These surfaces may be hot enough to burn even though they are dark in color. During and after use, do not touch, or let clothing or other flammable materials contact the surface elements or areas nearby the surface elements; allow sufficient time for cooling first.
Potentially hot surfaces include the cooktop and areas facing the cooktop.
- To minimize the possibility of burns, ignition of flammable materials and spillage, the handle of a container should be turned toward the center of the cooktop without extending over any nearby surface elements.
- Always turn the surface element control to off before removing the cookware.
- Use proper pan size—select cookware having flat bottoms large enough to cover the surface element heating element. The use of undersized cookware will expose a portion of the surface element to direct contact and may result in ignition of clothing. Proper relationship of cookware to surface element will also improve efficiency.
- Never leave surface elements unattended at high heat settings. Boilovers cause smoking and greasy spillovers that may catch on fire.
- Only certain types of glass, glass/ceramic, earthenware or other glazed containers are suitable for cooktop cooking; others may break because of the sudden change in temperature.
- Keep an eye on foods being fried at high or medium-high heat settings.
- Foods for frying should be as dry as possible. Frost on frozen foods or moisture on fresh foods can cause hot fat to bubble up and over the sides of the pan.
- Use little fat for effective shallow or deep-fat frying. Filling the pan too full of fat can cause spillovers when food is added.
- If a combination of oils or fats will be used in frying, stir together before heating, or as fats melt slowly.
- Always heat fat slowly, and watch as it heats.
- Use a deep fat thermometer whenever possible to prevent overheating fat beyond the smoking point.
- Never try to move a pan of hot fat, especially a deep fat fryer. Wait until the fat is cool.
- Do not store flammable materials near the cooktop.
- Keep the hood and grease filters clean to maintain good venting and to avoid grease fires.
- Do not store or use combustible materials, gasoline or other flammable vapors and liquids in the vicinity of this or any appliance.
- Clean only parts listed in this Owner's Manual.
- Do not leave paper products, cooking utensils or food on the cooktop when not in use.
- Keep cooktop clean and free of accumulation of grease or spillovers which may ignite.
- Never heat unopened food containers. Pressure buildup may make container burst and cause injury.
- Never leave jars or cans of fat drippings on or near your cooktop.
- Never use your appliance for warming or heating the room.

COOK MEAT AND POULTRY THOROUGHLY...

Cook meat and poultry thoroughly—meat to at least an INTERNAL temperature of 160°F and poultry to at least an INTERNAL temperature of 180°F. Cooking to these temperatures usually protects against foodborne illness.

IMPORTANT SAFETY INFORMATION. READ ALL INSTRUCTIONS BEFORE USING.

⚠ WARNING!

RADIANT SURFACE ELEMENTS

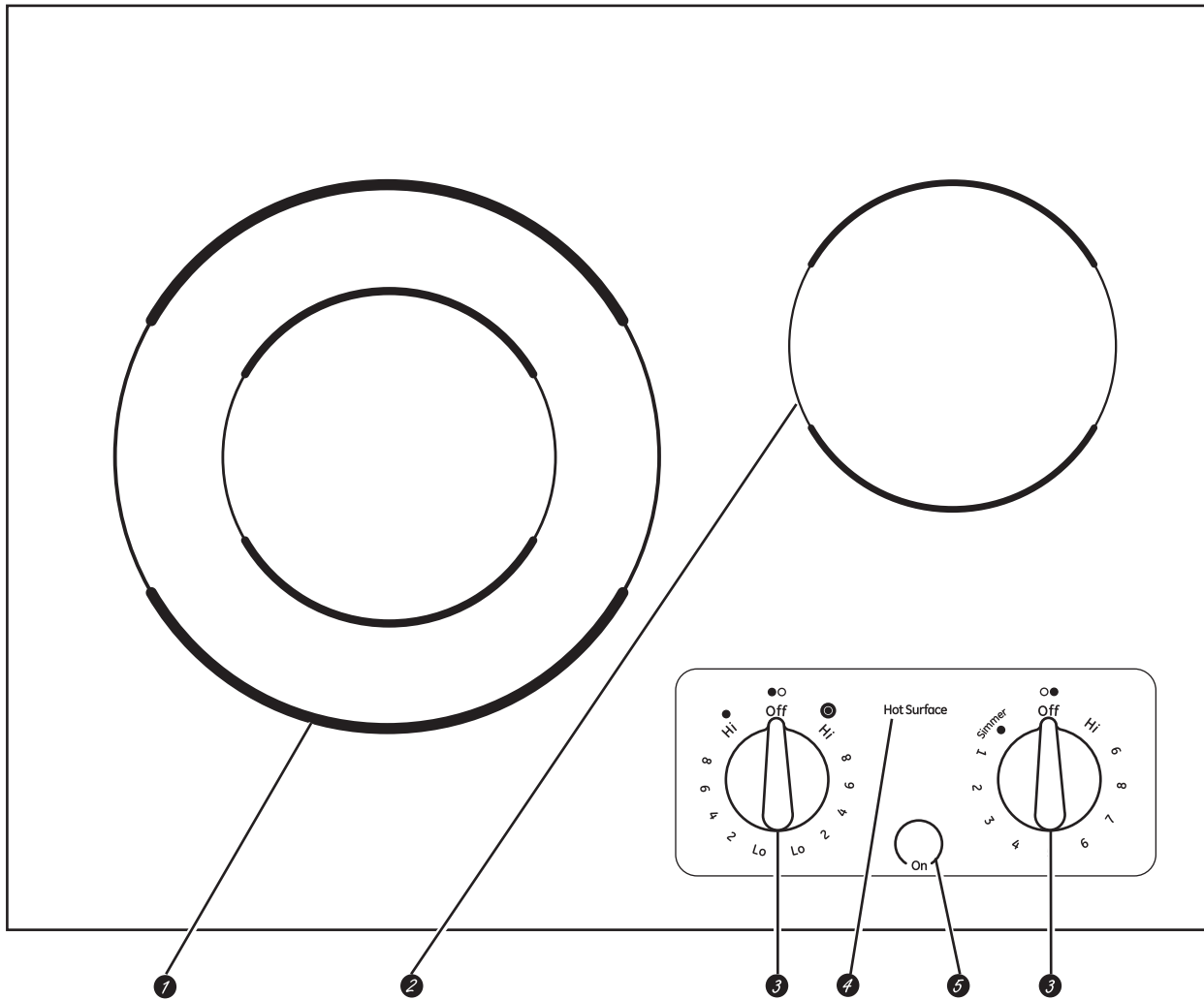
Use care when touching the cooktop. The glass surface of the cooktop will retain heat after the controls have been turned off.

- Avoid scratching the glass cooktop. The cooktop can be scratched with items such as sharp instruments, rings or other jewelry and rivets on clothing.
- Never use the glass cooktop surface as a cutting board.
- Do not place or store items on top of the glass cooktop surface when it is not in use.
- Be careful when placing spoons or other stirring utensils on glass cooktop surface when it is in use. They may become hot and could cause burns.
- Avoid heating an empty pan. Doing so may damage the cooktop and the pan.
- Do not allow water, other liquids or grease to remain on the cooktop.
- To minimize the possibility of burns, always be certain that the controls for all surface elements are at the off position and the entire glass surface is cool before attempting to clean the cooktop.
- Do not operate the glass surface elements if the glass is broken. Spillovers or cleaning solution may penetrate a broken cooktop and create a risk of electrical shock. Contact a qualified technician immediately should your glass cooktop become broken.
- Clean the cooktop with caution. If a wet sponge or cloth is used to wipe spills on a hot surface element, be careful to avoid steam burns. Some cleansers can produce noxious fumes if applied to a hot surface.
- **NOTE:** We recommend that you avoid wiping any surface element areas until they have cooled and the indicator light has gone off. ***Sugar spills are the exception to this.*** Please see the *Cleaning the Glass Cooktop* section.
- To avoid possible damage to the cooking surface, do not apply the cleaning cream to the glass surface when it is hot.
- After cleaning, use a dry cloth or paper towel to remove all the cleaning cream residue.
- Read and follow all instructions and warnings on the cleaning cream labels.
- Use care when touching the cooktop. The glass surface of the cooktop will retain heat after the controls have been turned **OFF**.
- Do not stand on the glass cooktop.
- Large scratches or impacts to glass cooktops can lead to broken or shattered glass.

READ AND FOLLOW THIS SAFETY INFORMATION CAREFULLY.

SAVE THESE INSTRUCTIONS

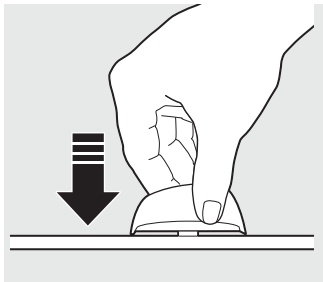
Throughout this manual, features and appearance may vary from your model.



<i>Feature Index (Features and appearances may vary.)</i>	<i>Explained on page</i>
1 Dual Surface Element	6, 7
2 Single Surface Element	7
3 Surface Element Control Knobs	6
4 Hot Surface Indicator Light	6
5 "On" Indicator Light	6

Using the surface elements.

Throughout this manual, features and appearance may vary from your model.



How to Set

Push the knob down and turn in either direction to the setting you want. When the control is in any position other than **Off**, it may be rotated without pushing it down.

At **Off**, **Hi**, **Lo** and **Simmer**, the control *clicks* into position. You may hear slight *clicking* sounds during cooking, indicating the control is keeping the power level you set.

The controls for the radiant surface elements can be set anywhere between **Lo** or **Simmer** and **Hi** for an unlimited number of heat settings. With the infinite switch, the element cycles on and off to maintain your selected control setting.

The **On** indicator light will glow when *any* surface element is on.

A **Hot Surface** indicator light will glow when any radiant element is turned on and will remain on until the surface is cooled to approximately 150°F.

NOTE:

- It comes on when the element is hot to the touch.
- It stays on even after the element is turned off.
- It glows brightly until the element is cooled to approximately 150°F.
- Be sure you turn the control knob to **Off** when you finish cooking.



Never cook directly on the glass. Always use cookware.



Always center the pan on the surface element you are using.

About the radiant surface elements...

The radiant cooktop features heating elements beneath a smooth glass surface.

NOTE: A slight odor is normal when a new cooktop is used for the first time. It is caused by the heating of new parts and insulating materials and will disappear in a short time.

NOTE: On models with light-colored glass cooktops, it is normal for the cooking zones to change color when hot or cooling down. This is temporary and will disappear as glass cools to room temperature.

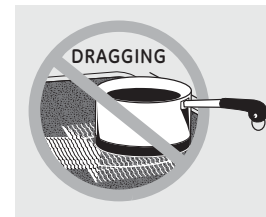
The surface element will cycle on and off to maintain your selected control setting.

It is safe to place hot cookware (from the oven or surface) on the glass cooktop when the surface is cool.

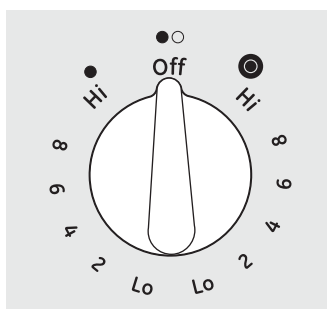
Even after the surface elements are turned off, the glass cooktop retains enough heat to continue cooking. To avoid overcooking, remove pans from the surface elements when the food is cooked.

Avoid placing utensils that could become hot or plastics that could melt on the surface element until it has cooled completely.

- Water stains (mineral deposits) are removable using the cleaning cream or full strength white vinegar.
- Use of window cleaner may leave an iridescent film on the cooktop. The cleaning cream will remove this discoloration.
- Don't store heavy items above the cooktop. If they drop onto the cooktop, they can cause damage.
- Do not use the surface as a cutting board.





Do not slide cookware across the cooktop because it can scratch the glass. The glass is scratch-resistant, not scratchproof.



Dual Surface Element (on some models)

The left front surface element has 2 cooking sizes to select from so you can match the size of the element to the size of the cookware you are using.

To use the large surface element, turn the **SELECTOR** knob to . Push down and turn the control knob to the desired setting. The element will heat the entire area contained by the larger circle.

To use the small surface element, turn the **SELECTOR** knob to . Push in and turn control knob to the desired setting. The element will only heat the area inside the smaller circle.

Surface Elements Cycle On and Off

Surface elements will cycle on and off to maintain the temperature you have selected.

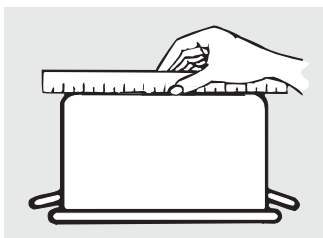
All radiant surface elements have a temperature limiter that protects the glass cooktop from getting too hot.

The temperature limiter may cycle the elements off while cooking if:

- The pan boils dry.
- The pan bottom is not flat.
- The pan is off-center.
- There is no pan on the element.

Selecting types of cookware.

The following information will help you choose cookware which will give good performance on glass cooktops.



Check pans for flat bottoms by using a straight edge.



Pans with rounded, curved, ridged or warped bottoms are not recommended.

Stainless Steel:

recommended

Aluminum:

heavyweight recommended

Good conductivity. Aluminum residue sometimes appears as scratches on the cooktop but can be removed if cleaned immediately. Because of its low melting point, thin weight aluminum should not be used.

Copper:

recommended

Copper Bottoms:

usable, but not recommended

Pans with copper bottoms may leave residue appearing as scratches. Remove any residue immediately after use. Do not let a pot boil dry. Overheated metal can bond to the glass cooktop and leave a permanent stain if it is not removed immediately.

Porcelain Enamel-Covered

Cast Iron:

recommended

As long as the cookware is covered completely with porcelain enamel, this cookware is recommended. Caution is recommended for cast-iron cookware that is not completely covered with smooth porcelain enamel, since it may scratch the glass ceramic cooktop.

Glass-Ceramic:

usable, but not recommended

Poor performance. May scratch the surface.

Stoneware:

usable, but not recommended

Poor performance. May scratch the surface.

Use pans that match the diameter of the surface element. Cooking performance will not be as good if the cookware is either smaller or larger than the surface element.

For Best Results

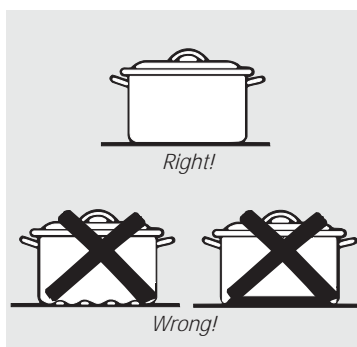
- Place only dry pans on the surface elements. Do not place lids on the surface elements, particularly wet lids.
- Do not use woks that have support rings. This type of wok will not heat on glass surface elements.
- We recommend that you use only a flat-bottomed wok. They are available at your local retail store. The bottom of the wok should have the same diameter as the surface element to ensure proper contact.
- Some special cooking procedures require specific cookware such as pressure cookers, deep-fat fryers, etc. All cookware must have flat bottoms and be the correct size.



Do not place wet pans on the glass cooktop.

Do not use woks with support rings on the glass cooktop.

Use flat-bottomed woks on the glass cooktop.



Note: Flat-bottomed canners are required for glass cooktops.

Observe the Following Points in Canning

Pots that extend beyond 1" of the surface element's circle are not recommended for most surface cooking. However, when canning with water-bath or pressure canner, larger-diameter pots may be used. This is because boiling water temperatures (even under pressure) are not harmful to the cooktop surfaces surrounding the surface elements.

HOWEVER, DO NOT USE LARGE-DIAMETER CANNERS OR OTHER LARGE-DIAMETER POTS FOR FRYING OR BOILING FOODS OTHER THAN WATER. Most syrup or sauce mixtures—and all types of frying—cook at temperatures much higher than boiling water. Such temperatures could eventually harm the glass cooktop surfaces.

- 1 Be sure the canner fits over the center of the surface element. If your cooktop or its location does not allow the canner to be centered on the surface element, use smaller-diameter pots for good canning results.
- 2 Flat-bottomed canners must be used. Do not use canners with flanged or rippled bottoms (often found in enamelware) because they don't make enough contact with the surface elements and take a long time to boil water.
- 3 When canning, use recipes and procedures from reputable sources. Reliable recipes and procedures are available from the manufacturer of your canner; manufacturers of glass jars for canning, such as Ball and Kerr brand; and the United States Department of Agriculture Extension Service.

- 4 Remember that canning is a process that generates large amounts of steam. To avoid burns from steam or heat, be careful when canning.

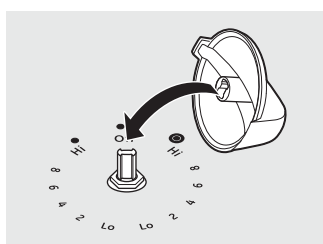
NOTE: If your house has low voltage, canning may take longer than expected, even though directions have been carefully followed. The process time will be shortened by:

- (1) using a pressure canner, and
- (2) starting with **HOT** tap water for fastest heating of large quantities of water.

CAUTION:

- Safe canning requires that harmful microorganisms are destroyed and that the jars are sealed completely. When canning foods in a water-bath canner, a gentle but steady boil must be maintained for the required time. When canning foods in a pressure canner, the pressure must be maintained for the required time.
- After you have adjusted the controls, it is very important to make sure the prescribed boil or pressure levels are maintained for the required time.
- Since you must make sure to process the canning jars for the prescribed time, with no interruption in processing time, do not can on any cooktop surface element if your canner is not flat.

Care and cleaning of the cooktop.



Control Knobs

The control knobs may be removed for easier cleaning.

Make sure the knobs are in the **Off** positions and pull them straight off the stems for cleaning.

The knobs can be cleaned in a dishwasher or they may also be washed with soap and water. Do not remove chrome accent skirt (on some models). Make sure the insides of the knobs are dry before replacing.

Replace the knobs in the **Off** position to ensure proper placement.

Cleaning the glass cooktop.



Clean your cooktop after each spill. Use CERAMA BRYTE® Ceramic Cooktop Cleaner.

Normal Daily Use Cleaning

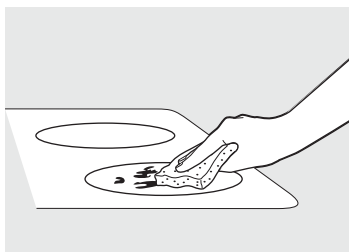
Use CERAMA BRYTE® Ceramic Cooktop Cleaner on the glass cooktop.

To maintain and protect the surface of your glass cooktop, follow these steps:

- 1 Before using the cooktop for the first time, clean it with CERAMA BRYTE® Ceramic Cooktop Cleaner. This helps protect the top and makes cleanup easier.
- 2 Daily use of CERAMA BRYTE® Ceramic Cooktop Cleaner will help keep the cooktop looking new.

- 3 Shake the cleaning cream well. Apply a few drops of CERAMA BRYTE® Ceramic Cooktop Cleaner directly to the cooktop.
- 4 Use a paper towel or CERAMA BRYTE® Cleaning Pad for Ceramic Cooktops to clean the entire cooktop surface.
- 5 Use a dry cloth or paper towel to remove all cleaning residue. No need to rinse.

NOTE: It is very important that you DO NOT heat the cooktop until it has been cleaned thoroughly.



Use a CERAMA BRYTE® Cleaning Pad for Ceramic Cooktops or a Scotch-Brite® Multi-Purpose No Scratch blue scrub pad.

Burned-On Residue

WARNING: DAMAGE to your glass surface may occur if you use scrub pads other than the pad included with your cooktop.

- 1 Allow the cooktop to cool.
- 2 Spread a few drops of CERAMA BRYTE® Ceramic Cooktop Cleaner on the entire burned residue area.
- 3 Using the included CERAMA BRYTE® Cleaning Pad for Ceramic Cooktops, rub the residue area, applying

pressure as needed.

- 4 If any residue remains, repeat the steps listed above as needed.
- 5 For additional protection, after all residue has been removed, polish the entire surface with CERAMA BRYTE® Ceramic Cooktop Cleaner and a paper towel.



The CERAMA BRYTE® Ceramic Cooktop Scraper and all recommended supplies are available through our Parts Center. See instructions under "To Order Parts" section on next page.

NOTE: Do not use a dull or nicked blade.

Heavy, Burned-On Residue

- 1 Allow the cooktop to cool.
- 2 Use a single-edge razor blade scraper at approximately a 45° angle against the glass surface and scrape the soil. It will be necessary to apply pressure to the razor scraper in order to remove the residue.
- 3 After scraping with the razor scraper, spread a few drops of CERAMA BRYTE® Ceramic Cooktop Cleaner on the entire burned residue area. Use the CERAMA BRYTE® Cleaning Pad to remove any remaining residue.

- 4 For additional protection, after all residue has been removed, polish the entire surface with CERAMA BRYTE® Ceramic Cooktop Cleaner and a paper towel.

Metal Marks and Scratches

- 1 Be careful not to slide pots and pans across your cooktop. It will leave metal markings on the cooktop surface.

These marks are removable using the CERAMA BRYTE® Ceramic Cooktop Cleaner with the CERAMA BRYTE® Cleaning Pad for Ceramic Cooktops.

- 2 If pots with a thin overlay of aluminum or copper are allowed to boil dry, the overlay may leave black discoloration on the cooktop.

This should be removed immediately before heating again or the discoloration may be permanent.

WARNING: Carefully check the bottom of pans for roughness that would scratch the cooktop.

Glass surface—potential for permanent damage.

Our testing shows that if you are cooking high sugar mixtures such as jelly or fudge and have a spillover, it can cause permanent damage to the glass surface unless the spillover is immediately removed.

Damage from Sugary Spills and Melted Plastic

- 1 Turn off all surface elements. Remove hot pans.
- 2 Wearing an oven mitt:
 - a. Use a single-edge razor blade scraper (CERAMA BRYTE® Ceramic Cooktop Scraper) to move the spill to a cool area on the cooktop.
 - b. Remove the spill with paper towels.

- 3 Any remaining spillover should be left until the surface of the cooktop has cooled.
- 4 Don't use the surface elements again until all of the residue has been completely removed.

NOTE: If pitting or indentation in the glass surface has already occurred, the cooktop glass will have to be replaced. In this case, service will be necessary.

To Order Parts

To order CERAMA BRYTE® Ceramic Cooktop Cleaner and the cooktop scraper, please call our toll-free number:

- National Parts Center 800.626.2002
- CERAMA BRYTE® Ceramic
- Cooktop Cleaner # WX10X300
- CERAMA BRYTE® Ceramic
- Cooktop Scraper # WX10X0302
- Kit # WB64X5027
(Kit includes cream and cooktop scraper)
- CERAMA BRYTE® Cleaning Pads for Ceramic Cooktops # WX10X350

Installation Instructions

30" Electric Cooktop

JP256

? "If you have questions, call 800.GE.CARES or visit our website at: GEAppliances.com"

BEFORE YOU BEGIN

Read these instructions completely and carefully.

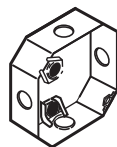
- **IMPORTANT** – Save these instructions for local inspector's use.
- **IMPORTANT** – Observe all governing codes and ordinances.
- **Note to Installer** – Be sure to leave these instructions with the Consumer.
- **Note to Consumer** – Keep these instructions for future reference.
- Product failure due to improper installation is not covered under the Warranty.

⚠ WARNING – This appliance must be properly grounded.

• **ATTENTION INSTALLER** – ALL COOKTOPS MUST BE HARD WIRED (DIRECT WIRED) INTO AN APPROVED JUNCTION BOX. A "PLUG AND RECEPTACLE" IS NOT PERMITTED ON THESE PRODUCTS.

- Proper installation is the responsibility of the installer and product failure due to improper installation is NOT covered under warranty.

MATERIALS YOU WILL NEED



Junction Box



Wire Nuts

TOOLS YOU WILL NEED



Pencil



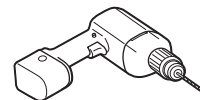
Saber Saw



Phillips-Head
Screwdriver



1/4" Nut Driver



1/8" Drill Bit & Electric
or Hand Drill

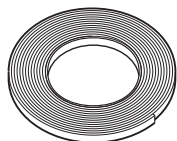


Ruler or Straightedge

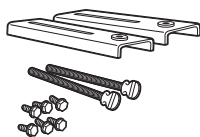


Safety Glasses

PARTS INCLUDED



Foam Tape



2 Hold-Down Brackets
6 Hex-Head Screws
(4 required, 2 extra)
2 Thumbscrews

Installation Instructions

IMPORTANT SAFETY INSTRUCTIONS

FOR YOUR SAFETY

- For Personal Safety, remove house fuse or open circuit breaker before beginning installation. Failure to do so could result in serious injury or death.
- Be sure your cooktop is installed properly by a qualified installer or service technician.
- To eliminate the risk of burns or fire due to reaching over heated surface elements, cabinet storage located above the surface units should be avoided. If cabinet storage space is to be provided, the risk can be reduced by installing a range hood that projects horizontally a minimum of 5" beyond the bottom of the cabinets. Cabinet installation above the cooktop may be no deeper than 13".
- Make sure the cabinets and wall coverings around the cooktop can withstand the temperatures (up to 200°F) generated by the cooktop.
- The cooktop should be easy to reach and lighted with natural light during the day.
- Always disconnect the electrical service to the cooktop before repairing or servicing the cooktop. This can be done by disconnecting the fuse or circuit breaker. Failure to do this could result in a dangerous or fatal shock. Know where your main disconnect switch is located. If you do not know, have your electrician show you.

ELECTRICAL REQUIREMENTS

This appliance must be supplied with the proper voltage and frequency, and connected to an individual, properly grounded branch circuit, protected by a circuit breaker or a time delay fuse as noted on name plate.

We recommend you have the electrical wiring and hookup of your cooktop connected by a qualified electrician. After installation, have the electrician show you where your main cooktop disconnect is located.

Wiring must conform to National Electrical Code. You can get a copy of the National Electrical Code, ANSI/NFPA No. 70-Latest Edition, by writing:

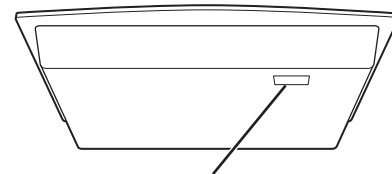
National Fire Protection Association
Batterymarch Park
Quincy, MA 02269

In Canada, wiring must conform to the Canadian Electrical Code (CEC).

The cooktop conduit wiring is approved for copper wire connection only, and if you have aluminum house wiring, you must use special UL approved connectors for joining copper to aluminum. In Canada, you must use special CSA approved connectors for joining copper to aluminum.

You must use a two-wire, three conductor 208/240 VAC, 60 Hertz electrical system. A white (neutral) wire is not needed for this unit. The cooktop must be installed in a circuit that does not exceed 125 VAC nominal to ground.

Refer to the name plate on your cooktop for the KW rating for your cooktop.



Name plate location

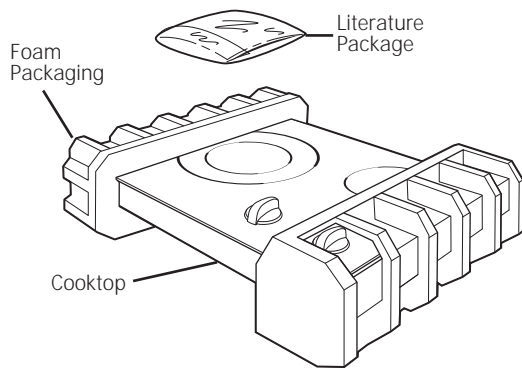
Installation Instructions

PRE-INSTALLATION CHECKLIST

⚠ WARNING – The electrical power to the cooktop supply line must be shut off while connections are being made. Failure to do so could result in serious injury or death.

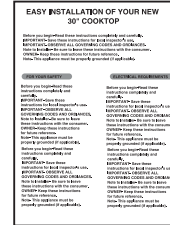
A When preparing cooktop opening, make sure the inside of the cabinet and the cooktop do not interfere with each other. (See section on preparing the opening.)

B Remove packaging materials and literature package from the cooktop before beginning installation.



C Remove Installation Instructions from literature pack and read them carefully before you begin.

Be sure to place all literature, Owner's Manual, Installations, etc. in a safe place for future reference.



D Make sure you have all the tools and materials you need before starting the installation of the cooktop.

E Your home must provide the adequate electrical service needed to safely and properly use your cooktop. (Refer to section on electrical requirements.)

F When installing your cooktop in your home, make sure all local codes and ordinances are followed exactly as stated.

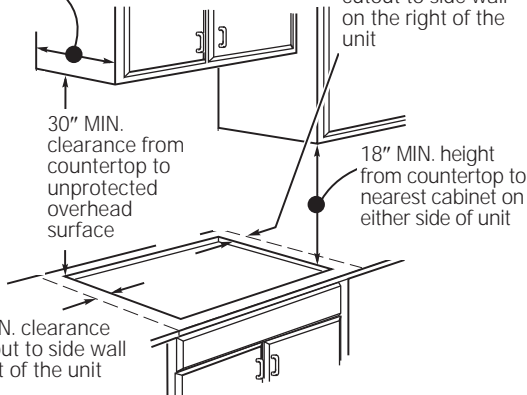
G Make sure the wall coverings, countertop and cabinets around the cooktop can withstand heat (up to 200°F) generated by the cooktop.

Installation Instructions

PREPARING THE OPENING

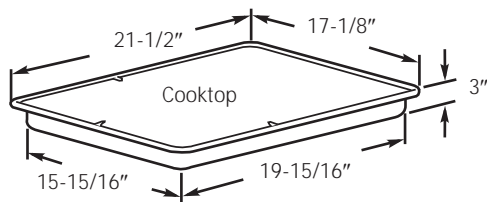
- 1** The following MINIMUM clearance dimensions must be maintained.

13" MAX. depth of unprotected overhead cabinets

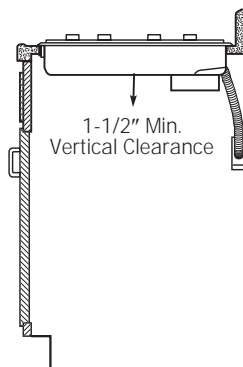


If a 30" clearance between the cooking surface and overhead combustible materials or metal cabinets cannot be maintained, a minimum clearance of 24" is required and the underside of the cabinets above the cooktop must be protected with not less than 1/4" insulating millboard covered with sheet metal not less than 0.0122" thick.

2 OVERALL COOKTOP DIMENSIONS

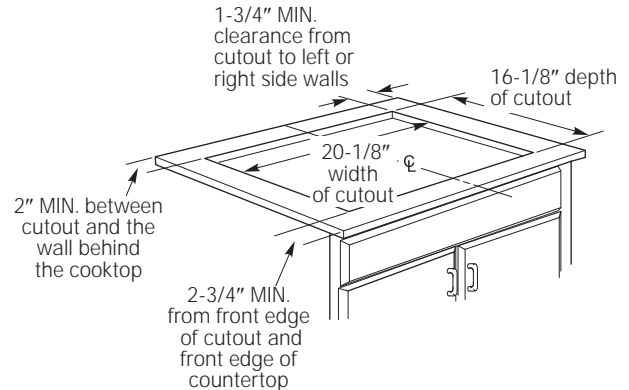


- 3** One and one-half inches (1-1/2") minimum vertical clearance between the cooktop bottom and any combustible surfaces.



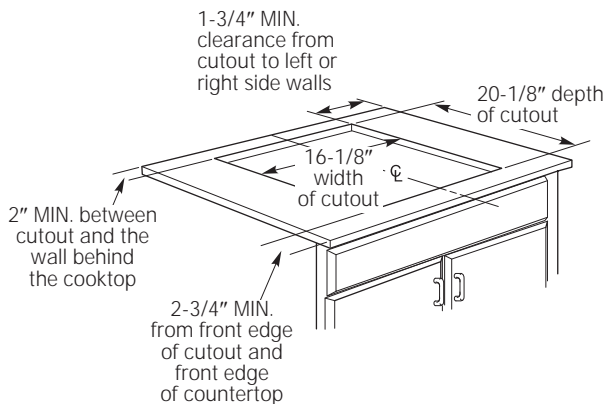
4 OPTIONAL INSTALLATIONS DIMENSIONS AND CLEARANCES

To ensure accuracy, it is best to make a template when cutting the opening in the counter.



HORIZONTAL INSTALLATION WITH CONTROLS AT THE FRONT

In this installation, the cooktop must be installed with the control knobs toward the front edge.



VERTICAL INSTALLATION MUST BE ORIENTED WITH CONTROLS ON THE LEFT SIDE

To eliminate the risk of burns by reaching over a heated surface, the cooktop must be installed with the controls on the left side.

In this installation, countertops must be at least 25" deep. Observe all minimum clearances at the front, rear and sides.

Installation Instructions

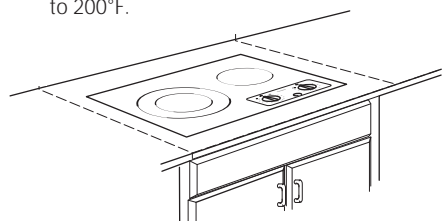
PREPARING THE OPENING (CONT.)

4 OPTIONAL INSTALLATIONS DIMENSIONS AND CLEARANCES (cont.)

Make sure the wall coverings, countertop and cabinets around the cooktop can withstand heat (up to 200°F) generated by the cooktop.



Wall coverings,
cabinets and
countertop must
withstand heat up
to 200°F.

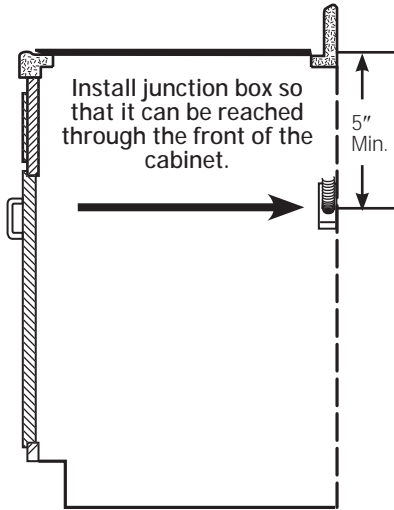


Installation Instructions

INSTALLING THE COOKTOP

1 INSTALLING THE JUNCTION BOX

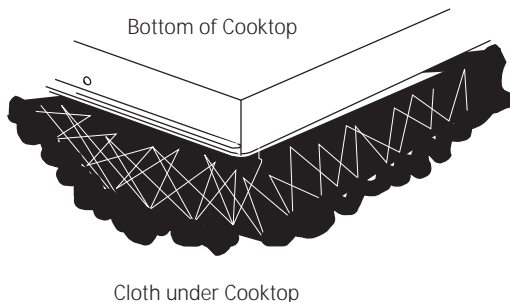
Install an approved junction box where it will be easily reached through the front of the cabinet where the cooktop will be located. The cooktop conduit is 58" long.



⚠ IMPORTANT: The junction box must be located where it will allow considerable slack in the conduit for serviceability.

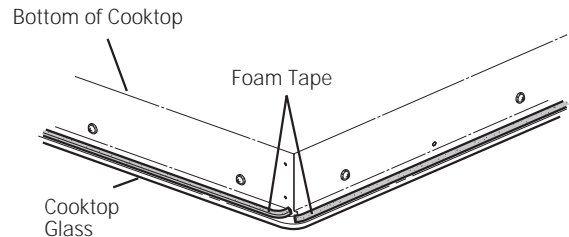
2 PROTECT SURFACE OF COOKTOP

Place a towel or tablecloth onto the countertop. Lay the cooktop upside down onto the protected surface.



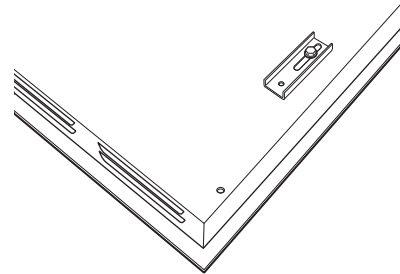
3 ATTACH FOAM TAPE

Apply the foam tape around the outer edge of the glass. Do not overlap the foam tape.



4 LOCATE MOUNTING PARTS

Start one screw through the bracket and into the cooktop (both sides). Do not tighten. Turn the bracket inward to avoid interference when dropping the cooktop into the countertop.

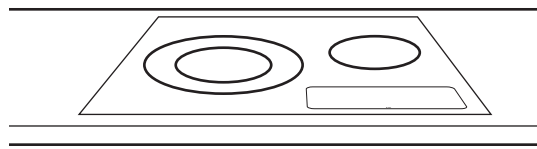
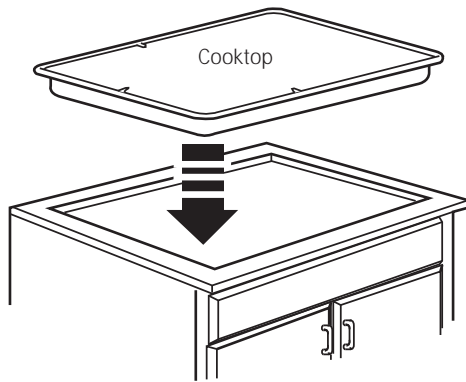


Installation Instructions

INSTALLING THE COOKTOP (CONT.)

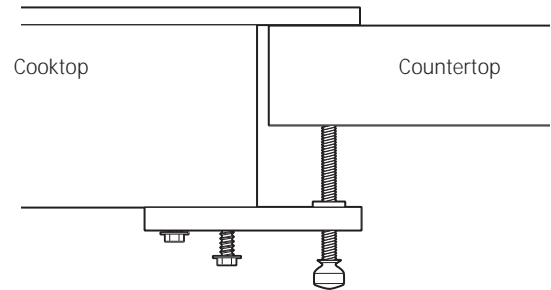
5 INSERT COOKTOP INTO CUTOUT

Insert the cooktop centered into the cutout opening. Make sure the front edge of the countertop is parallel to the cooktop. Make final check that all required clearances are met.



6 ATTACH HOLD-DOWN BRACKETS TO CABINET

Open the cabinet door. Install the second screw through the bracket and tighten. Then tighten the first screw. Install the thumbscrew until it touches the bottom of the countertop.

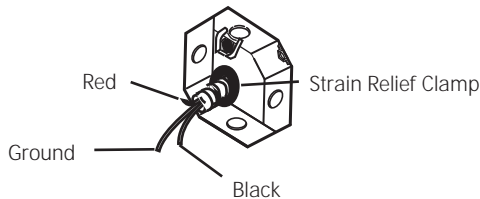


IMPORTANT: Turn the thumbscrew until it touches the bottom of the countertop. Do not overtighten.

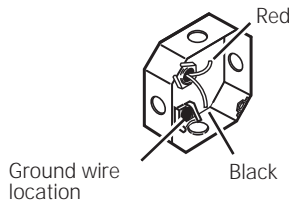
Installation Instructions

INSTALLATION—ELECTRICAL CONNECTIONS

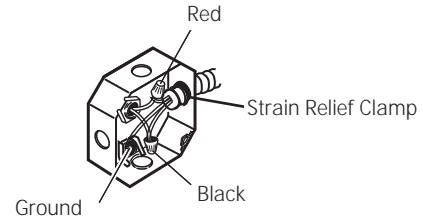
- A** When making the wire connections, use the entire length of conduit provided. **The conduit must not be shortened.**
- B** With the cooktop in place, open the front of the cabinet door.
- C** Insert the wires from the conduit through the opening of the junction box.



- D** Connect the red and black leads from the cooktop conduit to the corresponding leads in the junction box.



- E** Once the connections are made, secure wires together using wire nuts.



GROUNDING INSTRUCTIONS:

The bare ground wire in the conduit is connected to the cooktop frame. Effective January 1, 1996, the National Electrical Code will not permit grounding through neutral. If used in new construction after January 1, 1996 or in a mobile home, recreational vehicle or if local codes do not permit grounding through the neutral white lead, attach the appliance grounding lead (green or copper) to the residence grounding conductor (green or bare copper) in accordance with local codes. When connecting to a 3 conductor branch circuit, if local codes permit, connect the bare ground connector lead of the cooktop to the branch circuit neutral (gray or white in color).

⚠ IMPORTANT: If the cooktop is being installed into a blind counter (one with no cabinet opening below), wire connections must be made before putting the cooktop into the cutout opening.

Installation Instructions

CHECKLISTS

1 PRE-TEST CHECKLIST

- A** Remove all protective film, if present, and any stickers.
- B** Check to be sure that all wiring is secure and not pinched or in contact with moving parts.
- C** Check level of appliance.
- D** Check that the cooktop is properly grounded.

2 OPERATION CHECKLIST

- A** Remove all items from the top of the cooktop surface.
- B** Turn on the power to the cooktop. Verify that all surface burners operate properly.
- C** Check that the circuit breaker is not tripped nor the house fuse blown.
- D** Check that conduit is securely connected to the junction box.
- E** See troubleshooting list.

NOTE TO ELECTRICIAN:

The power leads supplied with this appliance are UL recognized for connections to larger gauge household wiring. The insulation of these leads is rated at temperatures much higher than the temperature rating of household wiring. The current carrying capacity of a conductor is governed by the wire gauge and also the temperature rating of the insulation around the wire.

NOTE: ALUMINUM WIRING

• **WARNING:**

IMPROPER CONNECTION OF ALUMINUM HOUSE WIRING TO THE COPPER LEADS CAN RESULT IN A SERIOUS PROBLEM.

- Splice copper wires to aluminum wiring using special connectors designed and UL approved for joining copper to aluminum and follow the manufacturer's recommended connector procedure closely.

NOTE: Wire used, location and enclosure of splices, etc., must conform to good wiring practice and local codes.

Before you call for service...



Troubleshooting Tips Save time and money! Review the chart on this page first and you may not need to call for service.

<i>Problem</i>	<i>Possible Causes</i>	<i>What To Do</i>
<i>Surface elements will not maintain a rolling boil or cooking is slow</i>	Improper cookware being used.	<ul style="list-style-type: none"> Use pans which are absolutely flat and match the diameter of the surface element selected.
<i>Surface elements do not work properly</i>	A fuse in your home may be blown or the circuit breaker tripped.	<ul style="list-style-type: none"> Replace the fuse or reset the circuit breaker.
	Cooktop controls improperly set.	<ul style="list-style-type: none"> Check to see the correct control is set for the surface element you are using.
<i>Tiny scratches or metal marks or abrasions on radiant cooktop glass surface</i>	Incorrect cleaning methods being used.	<ul style="list-style-type: none"> Use recommended cleaning procedures.
	Cookware with rough bottoms being used or coarse particles (salt or sand) were between the cookware and the surface of the cooktop.	<ul style="list-style-type: none"> Be sure cookware bottoms and cookware are clean before use. Use cookware with smooth bottoms. Tiny scratches are not removable but will become less visible in time as a result of cleaning.
	Cookware has been slid across the cooktop surface.	
<i>Areas of discoloration or dark streaks on the cooktop</i>	Improper cookware being used.	<ul style="list-style-type: none"> Marks from aluminum and copper pans as well as mineral deposits from water or food can be removed with the cleaning cream.
	Hot surface on a model with a light-colored cooktop.	<ul style="list-style-type: none"> This is normal. The surface may appear discolored when it is hot. This is temporary and will disappear as the glass cools.
	Food spillovers not cleaned before next use.	<ul style="list-style-type: none"> See the <i>Cleaning the glass cooktop</i> section.
	Incorrect cleaning methods being used.	<ul style="list-style-type: none"> Use recommended cleaning procedures.
<i>Plastic melted to the surface</i>	Hot cooktop came into contact with plastic placed on the hot cooktop.	<ul style="list-style-type: none"> See the <i>Glass surface—potential for permanent damage</i> section in the <i>Cleaning the glass cooktop</i> section.
<i>Pitting (or indentation) of the cooktop</i>	Hot sugar mixture spilled on the cooktop.	<ul style="list-style-type: none"> Call a qualified technician for replacement.
<i>Frequent cycling off and on of surface elements</i>	Improper cookware being used.	<ul style="list-style-type: none"> Use only flat cookware to minimize cycling. See <i>Surface elements cycle on and off</i> section.
<i>Control knob will not turn</i>	Cooktop controls improperly set.	<ul style="list-style-type: none"> When the knob is in the <i>Off</i> position, it must be pushed in before it can be turned. When the knob is in any other position, it can be turned without being pushed in.

GE Electric Cooktop Warranty.



All warranty service provided by our Factory Service Centers, or an authorized Customer Care[®] technician. To schedule service, on-line, 24 hours a day, visit us at GEAppliances.com, or call 800.GE.CARES (800.432.2737). (In Canada, call 1.800.561.3344.) Please have serial number and model number available when calling for service.

Staple your receipt here. Proof of the original purchase date is needed to obtain service under the warranty.

For The Period Of:	GE Will Replace:
One Year From the date of the original purchase	Any part of the cooktop which fails due to a defect in materials or workmanship. During this limited one-year warranty , GE will also provide, free of charge , all labor and in-home service to replace the defective part.

What GE Will Not Cover:

- Service trips to your home to teach you how to use the product.
- Improper installation, delivery or maintenance.
- Failure of the product if it is abused, misused, or used for other than the intended purpose or used commercially.
- Damage to the glass cooktop caused by use of cleaners other than the recommended cleaning creams and pads.
- Damage to the glass cooktop caused by hardened spills of sugary materials or melted plastic that are not cleaned according to the directions in the Owner's Manual.
- Replacement of house fuses or resetting of circuit breakers.
- Damage to the product caused by accident, fire, floods or acts of God.
- Incidental or consequential damage caused by possible defects with this appliance.
- Damage caused after delivery.
- Product not accessible to provide required service.

EXCLUSION OF IMPLIED WARRANTIES—Your sole and exclusive remedy is product repair as provided in this Limited Warranty. Any implied warranties, including the implied warranties of merchantability or fitness for a particular purpose, are limited to one year or the shortest period allowed by law.

This warranty is extended to the original purchaser and any succeeding owner for products purchased for home use within the USA. If the product is located in an area where service by a GE Authorized Servicer is not available, you may be responsible for a trip charge or you may be required to bring the product to an Authorized GE Service location. In Alaska, the warranty excludes the cost of shipping or service calls to your home.

Some states do not allow the exclusion or limitation of incidental or consequential damages. This warranty gives you specific legal rights, and you may also have other rights which vary from state to state. To know what your legal rights are, consult your local or state consumer affairs office or your state's Attorney General.

Warrantor in the USA: General Electric Company. Louisville, KY 40225
Warrantor in Canada: Mabe Canada Inc.

Mesures de sécurité... 26–27

Directives de fonctionnement

Caractéristiques de
votre table de cuisson 29
Conseils sur les ustensiles
de cuisson 32, 33
Élément de surface double 31
Éléments de surface. 30,31
Limiteur de température. 31

Instructions
d'installation 36–44

Entretien et nettoyage
Boutons de commande. 33
Surface de cuisson
en vitrocéramique. 34, 35

Conseils de dépannage... 45

Soutien au consommateur..
Garantie 47
Soutien au consommateur 48

*Transcrivez les numéros
de modèle et de série ici.*

Modèle # _____

Série # _____

Vous les trouverez sur une étiquette
située sous la table de cuisson.

MESURES DE SÉCURITÉ IMPORTANTES. VEUILLEZ D'ABORD LIRE LES MESURES DE SÉCURITÉ.

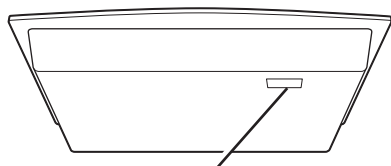
⚠ AVERTISSEMENT!

Pour votre sécurité, veuillez suivre les directives données dans le présent manuel afin de réduire les risques d'incendie ou d'explosion et de chocs électriques, et prévenir tout dommage, blessure ou décès.

MESURES DE SÉCURITÉ

Lorsque vous utilisez un électroménager, observez toujours les mesures de sécurité de base, notamment les suivantes :

- N'utilisez cet appareil que pour l'usage auquel il est destiné, comme expliqué dans le présent manuel.
- Ne tentez pas de réparer ou de remplacer toute pièce de votre table de cuisson, à moins que cela ne soit spécifiquement recommandé dans le présent manuel. Confiez toute autre réparation à un réparateur qualifié.
- Avant d'effectuer une réparation, coupez l'alimentation électrique à la table de cuisson en enlevant le fusible ou en déclenchant le disjoncteur au panneau de distribution de la résidence.
- Assurez-vous que votre électroménager est correctement installé et mis à la terre par un technicien qualifié, conformément aux directives d'installation fournies. Cet appareil électroménager doit être alimenté avec un courant de tension et de fréquence appropriées et être branché à un circuit de dérivation mis à la terre de façon adéquate et protégé par un disjoncteur ou un fusible convenant à la puissance indiquée sur la plaque signalétique.
- Demandez à l'installateur de vous indiquer l'emplacement du disjoncteur ou du fusible. Marquez-le afin de pouvoir le trouver facilement.
- Ne laissez pas les enfants sans surveillance—les enfants ne doivent pas être laissés seuls ou sans surveillance à proximité d'un électroménager qui fonctionne. Ils ne doivent jamais s'asseoir ou monter sur une pièce quelconque de l'électroménager.
- Apprenez aux enfants à ne pas jouer avec les commandes ou toute pièce de la table de cuisson.
- Ne laissez personne grimper ou monter sur la table de cuisson, ou s'y agripper.
- **ATTENTION :** Ne rangez pas dans les armoires se trouvant au-dessus de la table de cuisson des articles qui présentent un intérêt pour les enfants—ceux-ci pourraient grimper sur l'appareil pour les atteindre et pourraient se blesser gravement.
- Gardez toujours les revêtements muraux, les rideaux et les draperies inflammables à une distance sécuritaire de votre table de cuisson.
- Gardez toujours les linges à vaisselle, les serviettes, les mitaines de four et autres articles en tissu à une distance sécuritaire de votre table de cuisson.
- Gardez toujours les ustensiles en plastique ou en bois et les aliments en conserve à une distance sécuritaire de votre table de cuisson. Ils pourraient devenir chauds et provoquer des brûlures.
- Ne portez jamais de vêtements amples lorsque vous utilisez cet appareil. Les tissus inflammables peuvent prendre feu au contact des éléments de surface brûlants et causer de graves brûlures.
- N'utilisez que des poignées ou des mitaines de four sèches—les poignées ou mitaines de four humides ou mouillées peuvent causer des brûlures de vapeur. Ne laissez pas les poignées ou mitaines de four entrer en contact avec les éléments de surface brûlants. N'utilisez pas de serviette ou autre objet encombrant en tissu. Ils peuvent prendre feu au contact d'un élément de surface brûlant.
- Pour votre sécurité, n'utilisez jamais cet appareil pour réchauffer la pièce.
- Ne tentez pas d'éteindre des feux de graisse avec de l'eau. Ne prenez jamais une casserole enflammée dans vos mains. Éteignez les éléments. Étouffez ensuite les flammes à l'aide d'un couvercle hermétique, d'une plaque à biscuits ou d'un plateau. Utilisez un extincteur chimique tout usage à poudre sèche ou à mousse.
- Éteignez les feux de graisse à l'extérieur du poêlon avec du bicarbonate de soude ou, si possible, un extincteur chimique tout usage à poudre sèche ou à mousse.
- Ne flambez pas les aliments sur la surface de cuisson. Si vous le faites sous la hotte, mettez le ventilateur en marche.
- Ne laissez pas de graisse ou autres substances inflammables s'accumuler sur la table de cuisson.



Emplacement de la plaque signalétique

⚠ AVERTISSEMENT! **MESURES DE SÉCURITÉ**

- Ne touchez pas aux éléments de surface. Ils peuvent être suffisamment chauds pour causer des brûlures, même s'ils ne sont pas rouges. Pendant et après leur utilisation, ne touchez pas aux éléments et évitez que vos vêtements ou autres matériaux inflammables entrent en contact avec les éléments ou les surfaces autour des éléments; laissez-les d'abord refroidir suffisamment.
- Les surfaces susceptibles de devenir brûlantes comprennent notamment la surface de cuisson et les parties faisant face à la table de cuisson.
- Pour réduire les risques de brûlures et d'incendie, de même que les renversements, tournez toujours la poignée des ustensiles de cuisson vers le centre de la table de cuisson, en évitant de la placer au-dessus d'un élément adjacent.
- Éteignez toujours l'élément de surface avant d'enlever l'ustensile de cuisson.
- Utilisez des ustensiles de la dimension appropriée—choisissez un ustensile à fond plat et suffisamment grand pour couvrir toute la surface de l'élément chauffant. Lorsque vous utilisez un ustensile plus petit, une partie de l'élément de surface est exposée et vos vêtements risquent de prendre feu au contact de l'élément. De plus, lorsque l'ustensile de cuisson est approprié à l'élément de surface, la cuisson est plus efficace.
- Ne laissez jamais les éléments de surface sans surveillance à un réglage élevé. Les aliments renversés peuvent fumer et la graisse peut s'enflammer.
- Seuls certains types de verre, de céramique, de terre cuite ou matériaux similaires conviennent à la cuisson sur la table de cuisson. D'autres matériaux peuvent casser en raison du brusque changement de température.
- Surveillez toujours les aliments que vous faites frire à un réglage de température moyen ou élevé.
- Les aliments à frire doivent être aussi secs que possible. Le givre sur les aliments surgelés ou l'humidité des aliments frais peuvent faire bouillonner l'huile qui risque alors de déborder du récipient.
- Pour la haute friture, utilisez le moins de graisse possible afin d'éviter qu'elle ne déborde au moment où vous ajouterez des aliments.
- Lorsque vous utilisez plus d'un type d'huile ou de graisse pour la friture, remuez bien l'huile avant de la faire chauffer, ou remuez la graisse pendant qu'elle fond.
- Faites toujours chauffer les matières grasses à feu doux et surveillez-les constamment.
- Utilisez un thermomètre de cuisson pour la haute friture, lorsque cela est possible, afin d'empêcher que la graisse fume.
- Ne tentez jamais de déplacer un récipient rempli d'huile chaude, plus particulièrement une friteuse. Attendez que l'huile ait refroidi.
- Ne rangez pas de substances inflammables à proximité de la table de cuisson.
- Gardez toujours la hotte et le filtre à graisses propres afin d'assurer une bonne ventilation et d'éviter les feux de graisses.
- Ne rangez jamais ou n'utilisez jamais de matières combustibles, d'essence ou autres liquides inflammables à proximité de cet appareil ou de tout autre électroménager.
- Ne nettoyez que les pièces indiquées dans le présent manuel d'utilisation.
- Ne laissez pas des produits en papier, des ustensiles de cuisson ou des aliments sur la table de cuisson lorsque celle-ci n'est pas utilisée.

FAITES CUIRE LA VIANDE ET LA VOLAILLE À COEUR...

Faites cuire la viande et la volaille à coeur—la température INTERNE de la viande doit être d'au moins 71 °C (160 °F), et celle de la volaille d'au moins 82 °C (180 °F). La cuisson à ces températures internes assure généralement une bonne protection contre les intoxications alimentaires.

MESURES DE SÉCURITÉ IMPORTANTES. VEUILLEZ D'ABORD LIRE LES MESURES DE SÉCURITÉ.

⚠ MISE EN GARDE! MESURES DE SÉCURITÉ (cont.)

- Gardez la table de cuisson propre et exempte de toute accumulation de graisse ou d'aliments renversés qui pourraient prendre feu.
- Ne laissez jamais des contenants de graisse ou d'huile sur votre table de cuisson ou à proximité de celle-ci.
- Ne faites jamais chauffer des contenants d'aliments fermés. En raison de l'accumulation de pression à l'intérieur, les contenants pourraient éclater et causer des blessures.

ÉLÉMENTS DE SURFACE RAYONNANTS

Faites attention lorsque vous touchez à la table de cuisson. La surface de vitrocéramique de la table de cuisson demeure chaude pendant un certain temps après que les éléments aient été éteints.

- Évitez d'égratigner la surface de cuisson en vitrocéramique. Certains instruments pointus, les bagues et autres bijoux, et les rivets des vêtements peuvent égratigner la surface de cuisson.
- N'utilisez jamais la surface de cuisson en vitrocéramique comme planche à découper.
- Ne placez pas ou ne rangez pas d'articles sur la surface de cuisson en vitrocéramique lorsque celle-ci n'est pas utilisée.
- Faites attention lorsque vous déposez sur la surface de cuisson en vitrocéramique des cuillères ou autres ustensiles pendant que vous l'utilisez. Ces ustensiles peuvent devenir chauds et vous causer des brûlures.
- Évitez de faire chauffer un ustensile de cuisson vide. Vous risquez ainsi d'endommager la table de cuisson et l'ustensile.
- Essuyez immédiatement l'eau, la graisse ou autres liquides sur la table de cuisson.
- Pour réduire les risques de brûlures, assurez-vous que les commandes des éléments de surface sont réglées à **OFF** et que la surface de cuisson en vitrocéramique a refroidi avant de nettoyer la table de cuisson.
- Ne faites pas fonctionner les éléments de surface lorsque la surface de cuisson en vitrocéramique est cassée. Les aliments renversés et les produits nettoyants peuvent s'infiltrer sous la surface de cuisson cassée et provoquer des chocs électriques. Si votre surface de cuisson est cassée, communiquez immédiatement avec un technicien qualifié.
- Faites attention lorsque vous nettoyez la table de cuisson. Lorsque vous utilisez un linge ou une éponge humide pour essuyer des aliments renversés sur une surface brûlante, vous pourriez vous infliger des brûlures de vapeur. De plus, certains produits nettoyants dégagent des vapeurs nocives lorsqu'ils sont appliqués sur une surface brûlante.
- **REMARQUE** : Nous vous recommandons de laisser refroidir la surface de cuisson avant de l'essuyer et d'attendre que le voyant se soit éteint. **Les aliments sucrés renversés constituent la seule exception à cette règle.** Reportez-vous à la section *Nettoyage de la surface en vitrocéramique*.
- Pour éviter d'endommager la surface de cuisson, n'appliquez pas de crème nettoyante sur la surface de vitrocéramique chaude.
- Après le nettoyage, utilisez un linge ou un essuie-tout sec pour enlever tout résidu de produit nettoyant.
- Veuillez lire et suivre toutes les directives et mises en garde sur les étiquettes de la crème nettoyante.
- Soyez prudent en touchant la table de cuisson. La surface de verre de la table de cuisson reste chaude une fois les commandes éteintes.
- Ne vous tenez pas sur la surface de cuisson en verre.
- Les rayures importantes ou les chocs sur les tables de cuisson en vitrocéramique peuvent occasionner des cassures de la surface de vitrocéramique et des éclats.

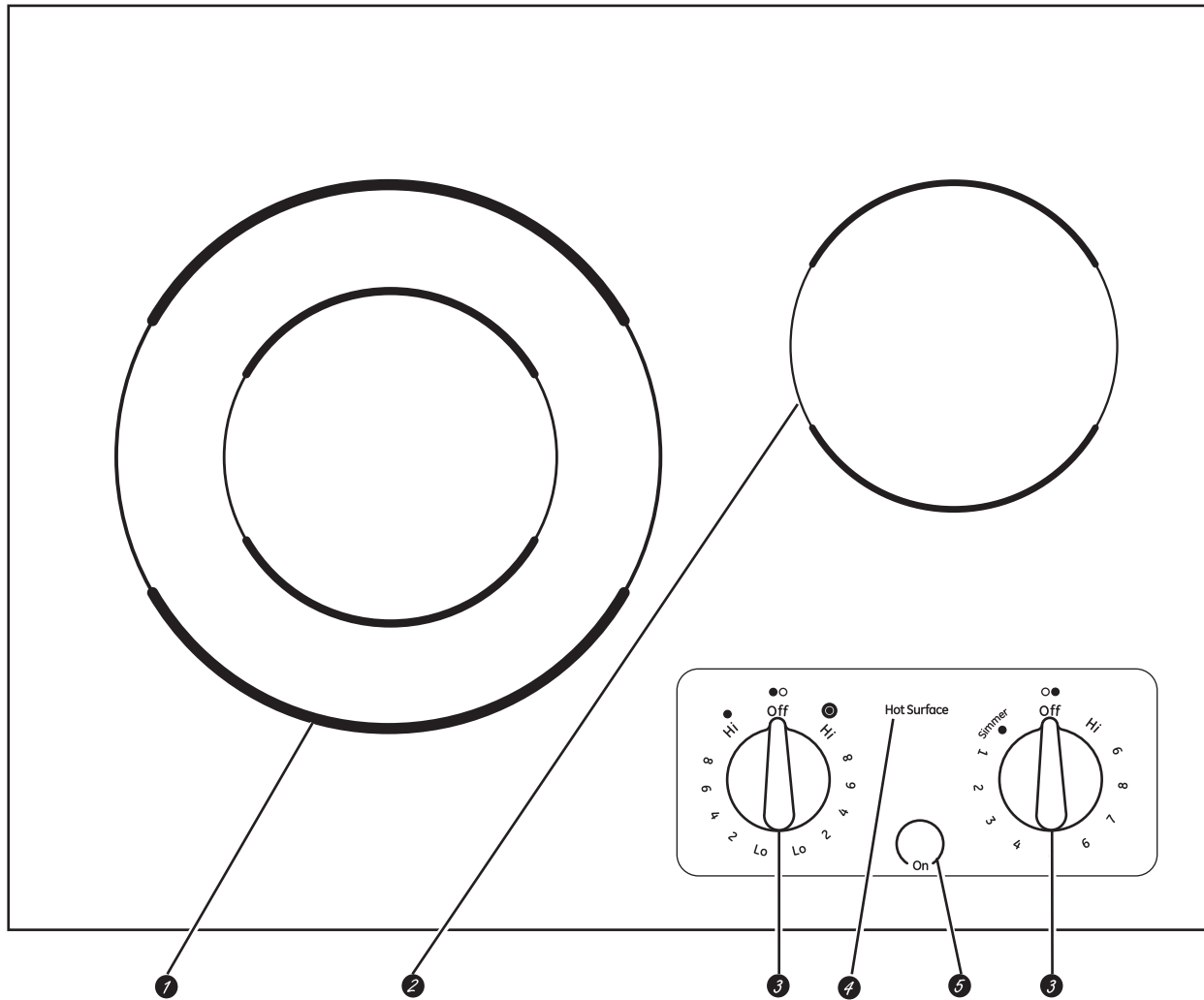
VEUILLEZ LIRE ET SUIVRE À LA LETTRE CES MESURES
DE SÉCURITÉ.

CONSERVEZ CES DIRECTIVES

Caractéristiques de votre table de cuisson.

www.electromenagersge.ca

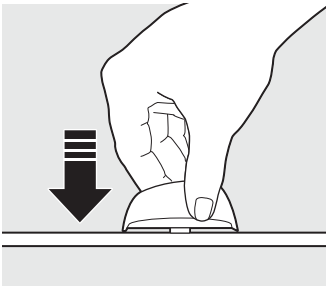
Les caractéristiques et l'apparence des modèles présentés dans ce manuel peuvent différer de celles de votre modèle.



<i>Index des caractéristiques (les caractéristiques et l'apparence peuvent varier.)</i>	<i>Expliqué à la page</i>
1 Élément de surface double	6, 7
2 Élément de surface simple	7
3 Boutons de commande des plaques électriques	6
4 Voyant de surface chaude	6
5 Voyant « On » (Marche)	6

Utilisation des éléments de surface.

Dans le présent manuel, les caractéristiques et l'apparence peuvent être différentes de celles de votre modèle.



Réglage des commandes

Enfoncez le bouton et tournez-le dans le sens du réglage désiré. Lorsque le bouton de commande est à une autre position que **Off** (Arrêt), il peut être tourné sans avoir à l'enfoncer.

Aux réglages **Off** (Arrêt), **Hi** (Maximum), **Lo** (Minimum) et **Simmer** (Mijoter) la commande **s'enclenche** en faisant entendre un **déclic**. Pendant la cuisson, il est possible que vous entendiez des déclics, ce qui signifie que la commande maintient la température que vous avez choisie.

Les boutons de commande des plaques électriques à rayonnement peuvent être réglés à n'importe quelle position entre **Lo** (Minimum) ou **Simmer** (Mijoter) et **Hi** (Maximum) pour vous offrir un nombre illimité de réglages de la chaleur. Grâce au commutateur à réglage infini, les plaques électriques s'allument et s'éteignent afin de conserver le bon réglage de la chaleur.

Le voyant **On** (Élément allumé) s'allume dès qu'un élément de surface est allumé.

Les voyants **Hot Surface** (Surface brûlante)

s'allument dès que vous mettez en marche un élément rayonnant, et demeurent allumés jusqu'à ce que la température de la surface soit redescendue à environ 66 °C (150 °F).

REMARQUE :

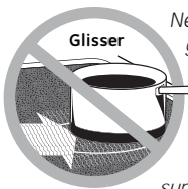
- Ils s'allument lorsque l'élément chauffant est brûlant.
- Ils demeurent allumés même après que l'élément ait été éteint.
- Ils restent allumés jusqu'à ce que la température de l'élément soit redescendue à 66 °C (150 °F) environ.
- Assurez-vous de tourner le bouton de commande à la position « Off » après la cuisson.



Ne faites jamais cuire d'aliments directement sur la surface de vitrocéramique. Utilisez toujours un ustensile de cuisson.



Veillez à placer la casserole au centre de la plaque électrique utilisée.



Ne faites jamais glisser d'ustensiles de cuisson sur la table de cuisson, car vous risquez d'égratigner la surface de vitrocéramique. Bien qu'elle soit résistante, la surface n'est pas à l'épreuve des égratignures.

À propos des éléments de surface rayonnants...

La table de cuisson par rayonnement est dotée d'éléments chauffants situés sous une surface de vitrocéramique lisse.

REMARQUE : Il est normal de sentir une légère odeur lorsque la table de cuisson neuve est utilisée pour la première fois. Cette odeur est attribuable aux nouvelles pièces et aux matériaux isolants qui chauffent et disparaît peu de temps après.

REMARQUE : Pour les modèles à surfaces de cuisson de couleur pâle, il est normal que les zones de cuisson changent de couleur en chauffant et en refroidissant. Ce phénomène est temporaire et disparaît lorsque le verre refroidit à la température ambiante.

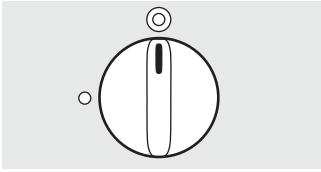
L'élément de surface s'allume et s'éteint de façon cyclique pour maintenir la température que vous avez choisie.

Vous pouvez placer sans danger des ustensiles de cuisson brûlants, sortant du four ou provenant d'un autre élément de surface, sur la table de cuisson de vitrocéramique froide.

Même après avoir éteint les éléments de surface, la surface de cuisson en vitrocéramique demeure suffisamment chaude pour poursuivre la cuisson. Pour éviter une cuisson excessive, retirez l'ustensile de l'élément lorsque l'aliment est cuit.


Évitez de placer sur les plaques électriques encore chaudes des ustensiles pouvant devenir chauds ou des objets en plastique qui pourraient fondre.


- Vous pouvez faire disparaître les taches d'eau (dépôts de minéraux) à l'aide de la crème nettoyante ou de vinaigre blanc non dilué.
- L'utilisation d'un produit nettoyant pour les vitres peut laisser une pellicule chatoyante sur la surface de cuisson. La crème nettoyante fera disparaître cette décoloration.
- Ne rangez pas d'articles lourds au-dessus de la table de cuisson. S'ils tombent sur l'appareil, ils pourraient l'endommager.
- N'utilisez pas la surface de cuisson comme planche à découper.



Élément de surface double (sur certains modèles)

La plaque électrique avant gauche vous offre deux réglages pour que vous puissiez adapter le diamètre de la plaque à celui de l'ustensile de cuisson que vous utilisez.

Pour faire fonctionner le grand élément de surface, tournez le bouton **SELECTOR** (sélecteur) au réglage . Enfoncez et tournez ensuite le bouton de commande au réglage désiré. L'élément chauffera toute la surface qui se trouve à l'intérieur du grand cercle.

Pour faire fonctionner le petit élément, tournez le bouton **SELECTOR** au réglage . Enfoncez et tournez ensuite le bouton de commande au réglage désiré. L'élément ne chauffera que la surface qui se trouve à l'intérieur du cercle plus petit.

Plaques électriques s'allument et s'éteignent

Les plaques électriques s'allument et s'éteignent en alternance pour garder la surface de cuisson à la température réglée.

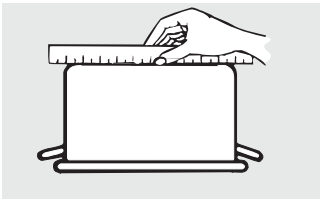
Les plaques électriques à rayonnement sont toutes équipées d'un limiteur de température qui empêche la surface de verre de devenir trop chaude.

Le limiteur de température peut éteindre l'élément de façon cyclique pendant un certain temps lorsque :

- L'ustensile chauffe à vide.
- Le fond de l'ustensile n'est pas plat.
- L'ustensile n'est pas au centre de l'élément.
- Aucun ustensile n'est placé sur l'élément.

Choix des ustensiles de cuisson.

Les renseignements qui suivent vous aideront à choisir un ustensile de cuisson offrant un bon rendement sur une surface de cuisson en vitrocéramique.



Vérifiez à l'aide d'une règle si le fond de votre casserole est plat.



Il n'est pas recommandé d'utiliser un ustensile dont le fond est bombé, incurvé, ondulé ou déformé.

Acier inoxydable :
recommandé

Aluminium :
épais – recommandé

Bonne conductivité. Sur la surface de cuisson, l'aluminium laisse parfois des résidus qui ressemblent à des égratignures. Ces résidus peuvent disparaître si la surface est nettoyée immédiatement. En raison de son point de fusion peu élevé, il n'est pas recommandé d'utiliser l'aluminium mince.

Cuivre :
recommandé

Fond en cuivre :
utilisation possible mais non recommandée

Le cuivre laisse des résidus qui ressemblent à des égratignures. Vous pouvez les faire disparaître en nettoyant immédiatement la surface de cuisson. Cependant, évitez de faire chauffer ces ustensiles à vide. Le métal surchauffé peut adhérer à la surface de vitrocéramique. Un ustensile dont le fond en cuivre a été surchauffé laisse un résidu qui tachera de façon permanente la surface de cuisson si vous ne faites pas disparaître le résidu immédiatement.

Fonte émaillée :
recommandée

L'utilisation de ce type d'ustensile est recommandée dans la mesure où l'ustensile est complètement recouvert d'émail vitrifié. La prudence est de mise dans le cas d'ustensiles en fonte qui ne sont pas complètement recouverts d'émail vitrifié, car ils peuvent égratigner la surface de vitrocéramique.

Vitrocéramique :

utilisation possible mais non recommandée

Rendement médiocre. Peut égratigner la surface.

Grès :

utilisation possible mais non recommandée

Rendement médiocre. Peut égratigner la surface.

Utilisez des casseroles assorties au diamètre de la plaque électrique. Le rendement de cuisson n'est pas aussi bon lorsque l'ustensile de cuisson est plus large ou moins large que la plaque électrique.

Pour obtenir de meilleurs résultats

- Mettez toujours des casseroles bien sèches sur la surface chauffante. Ne placez jamais de couvercle sur la surface chauffante, surtout si ce couvercle est mouillé.
- N'utilisez jamais de wok qui ait un anneau de soutien. Ce wok ne chauffera pas sur la surface chauffante en vitrocéramique.
- Nous vous recommandons de n'utiliser qu'un wok à fond plat. Vous en trouverez chez votre quincailler local. Le fond du wok doit avoir le même diamètre que la surface chauffante pour permettre un bon contact.
- Certains procédés de cuisson nécessitent un ustensile de cuisine spécialisé, comme un autocuiseur, une friteuse, etc. Tous ces ustensiles doivent avoir un fond plat et un diamètre qui corresponde à celui de la surface chauffante.



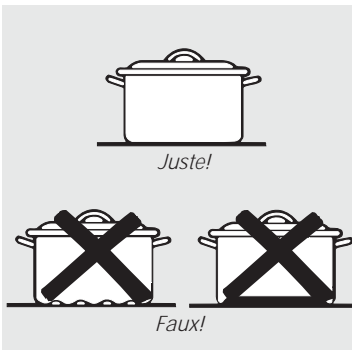
Ne mettez jamais de casserole mouillée sur la surface en vitrocéramique.



N'utilisez jamais de wok à anneau de soutien sur la surface en vitrocéramique.



Utilisez un wok à fond plat sur la surface en vitrocéramique.



Note : Les ustensiles de mise en conserve à fond plat sont requis avec les surfaces en vitrocéramique.

Observez les instructions suivantes pour mettre en conserve

Nous ne vous recommandons pas d'utiliser des ustensiles de cuisson qui ont plus de 2,5 cm (1 po) de diamètre de plus que celui de la surface de cuisson pour la plupart des cuissons en surface. Cependant, vous pouvez utiliser un ustensile plus large quand vous cuisez au bain-marie ou à l'autoclave. En effet, la température de l'eau qui bout (même sous pression) ne peut pas endommager la surface en vitrocéramique située autour de la surface chauffante.

NÉANMOINS, N'UTILISEZ JAMAIS D'USTENSILE DE MISE EN CONSERVE OU D'USTENSILE DE CUISSON DE GRAND DIAMÈTRE POUR FAIRE FRIRE OU BOUILLIR DES ALIMENTS AUTRES QUE DE L'EAU. La plupart des sirops et mélanges de sauce, et toutes les catégories de produits frits, cuisent à une température beaucoup plus élevée que celle de l'eau qui bout. De telles températures peuvent endommager les surfaces en vitrocéramique.

- 1 Assurez-vous que l'ustensile de mise en conserve puisse bien aller au centre de la surface chauffante. Si la surface de vitrocéramique ou son emplacement ne permettent pas à l'ustensile de mise en conserve de se trouver au centre de la surface chauffante, utilisez un ustensile de diamètre plus petit pour obtenir de bons résultats.
- 2 Vous devez utiliser un ustensile de mise en conserve à fond plat. N'utilisez jamais d'ustensile à fond ondulé ou à collerette (souvent rencontrés parmi les ustensiles émaillés). Ils n'entrent pas suffisamment en contact avec la surface de cuisson et nécessitent beaucoup de temps pour faire bouillir de l'eau.
- 3 Pour faire des conserves, utilisez des recettes et des procédés obtenus de bonnes sources. Vous trouverez de bonnes recettes et procédés chez le fabricant de votre ustensile de mise en conserve, chez le fabricant de pots de verre, comme Ball et Kerr, et au service d'extension du Ministère de l'agriculture des États-Unis d'Amérique.

- 4 Vous devez vous souvenir que la mise en conserve est un procédé qui occasionne beaucoup de vapeur. Pour éviter de vous brûler avec la vapeur, faites bien attention quand vous mettez en conserve.

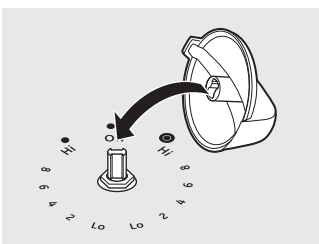
REMARQUE : Si votre maison est alimentée par du courant à basse tension, la mise en conserve peut prendre plus de temps que prévu, même si vous suivez soigneusement toutes les instructions. Vous raccourcirez ce processus en :

- (1) utilisant un autoclave, et
- (2) commençant vos opérations avec de l'eau provenant de votre robinet d'eau chaude, pour accélérer le processus de chauffage des grandes quantités d'eau.

ATTENTION :

- Pour mettre en conserve en toute sécurité, vous devez détruire les micro-organismes nuisibles et sceller hermétiquement les pots. Pour mettre en conserve dans un ustensile à bain-marie, vous devez faire bouillir l'eau doucement pendant tout le temps requis. Pour mettre en conserve dans un autoclave, vous devez conserver la pression pendant tout le temps requis.
- Après avoir réglé la température, vous devez faire bien attention de conserver le niveau requis de bouillonnement ou de pression pendant le temps requis.
- Comme vous devez vous assurer de respecter le processus de mise en conserve pendant tout le temps requis, sans aucune interruption, ne mettez jamais en conserve sur la surface de cuisson si votre ustensile de mise en conserve n'a pas un fond plat.

Entretien et nettoyage de la table de cuisson.



Boutons de contrôle

Les boutons de contrôle se retirent pour faciliter le nettoyage.

Avant de retirer les boutons pour le nettoyage, veuillez noter que les boutons sont en position **Off (ARRÊT)**.

Les boutons peuvent être lavés au lave-vaisselle ou encore avec de l'eau savonneuse. Ne retirez pas la rondelle décorative en chrome (certains modèles). Assurez-vous que l'intérieur des boutons est bien sec avant de les remettre en place.

En remplaçant les boutons, vérifiez la position **Off (ARRÊT)** pour assurer le bon placement.

Nettoyage de la surface en vitrocéramique.



Nettoyez votre table de cuisson chaque fois qu'elle est sale. Utilisez la crème nettoyante CERAMA BRYTE® pour table de cuisson.

Nettoyage normal quotidien

Utilisez la crème nettoyante CERAMA BRYTE® sur votre table de cuisson en vitrocéramique.

Pour entretenir et protéger votre table de cuisson en vitrocéramique, conformez-vous aux instructions suivantes :

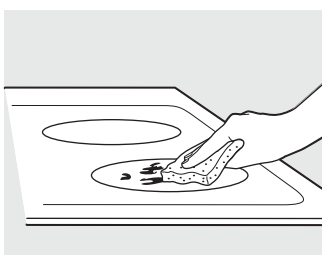
- 1 Avant d'utiliser votre table de cuisson pour la première fois, nettoyez-la avec de la crème nettoyante CERAMA BRYTE® pour table de cuisson. Cela vous aidera à la protéger et à la conserver propre.
- 2 Votre table de cuisson conservera son aspect neuf si vous utilisez chaque jour la crème nettoyante CERAMA BRYTE® pour table de cuisson.

3 Secouez bien le flacon de crème nettoyante. Versez quelques gouttes de crème nettoyante CERAMA BRYTE® directement sur votre table de cuisson.

4 Utilisez une serviette en papier ou une éponge CERAMA BRYTE® pour table de cuisson en vitrocéramique afin de nettoyer la surface de la table de cuisson.

5 Utilisez une serviette en papier ou une éponge pour nettoyer toute la surface de la table de cuisson. Pas besoin de rincer.

NOTE : Vous devez faire bien attention de NE PAS faire chauffer la table de cuisson avant de la nettoyer complètement.



Utilisez une éponge CERAMA BRYTE® pour table de cuisson en vitrocéramique ou une éponge de récurage bleue tout usage anti-égratignures Scotch-Brite®.

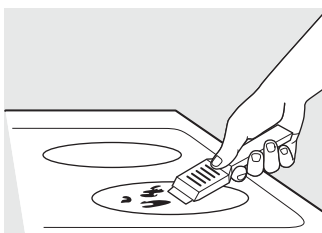
Résidus calcinés

AVERTISSEMENT : Vous pouvez ENDOMMAGER votre surface en vitrocéramique si vous utilisez des éponges de récurage autres que celles comprises avec votre appareil.

- 1 Laissez refroidir la table de cuisson.
- 2 Versez quelques gouttes de crème nettoyante CERAMA BRYTE® sur tous les résidus calcinés.
- 3 À l'aide de l'éponge de récurage CERAMA BRYTE® pour table de cuisson en vitrocéramique, frottez les résidus en exerçant la pression nécessaire.

4 S'il reste des résidus, répétez les opérations indiquées ci-dessus.

5 Pour mieux protéger après avoir enlevé les résidus, polissez toute la surface avec la crème nettoyante CERAMA BRYTE® et une serviette de papier.



On peut se procurer le grattoir CERAMA BRYTE® pour table de cuisson en vitrocéramique et tous les accessoires recommandés dans nos Centres de pièces détachées. Consultez les instructions dans la section « Comment commander des pièces » à la page suivante.

NOTE : N'utilisez jamais une lame émoussée ou ébréchée.

Résidus calcinés difficiles à enlever

- 1 Laissez refroidir la table de cuisson.
- 2 Tenez un grattoir à lame simple à un angle d'environ 45° sur la surface de vitrocéramique et raclez les résidus. Vous devrez exercer de la pression sur le grattoir à lame pour les enlever.
- 3 Après avoir enlevé les résidus avec le grattoir à lame, versez quelques gouttes de crème nettoyante CERAMA BRYTE® pour table de cuisson sur les résidus calcinés. Utilisez l'éponge CERAMA BRYTE® pour enlever les résidus restants.

4 Pour mieux protéger après avoir enlevé les résidus, polissez toute la surface avec la crème nettoyante CERAMA BRYTE® et une serviette de papier.

Traces de métal et rayures

1 Faites attention de ne pas faire glisser des ustensiles de cuisine sur votre table de cuisson. Ils laisseront des traces de métal sur la surface de vitrocéramique.

Vous pourrez enlever ces traces en appliquant la crème nettoyante CERAMA BRYTE® à l'aide de l'éponge CERAMA BRYTE® pour table de cuisson en vitrocéramique.

2 Si vous laissez des casseroles recouvertes d'une couche d'aluminium ou de cuivre chauffer à sec, leur métal peut laisser des traces noires sur la table de cuisson.

Vous devez enlever ces traces immédiatement, avant de faire chauffer à nouveau la table de cuisson. Autrement, les traces risquent de devenir permanentes.

AVERTISSEMENT : Vérifiez toujours le fond de vos casseroles pour vous assurer qu'elles n'aient pas d'aspérités qui risquent de rayer la table de cuisson.

Surface de vitrocéramique—possibilité de dommages permanents.

D'après nos essais, il semble que si vous cuisinez des aliments riches en sucre comme de la confiture ou du caramel, et s'ils débordent, ils peuvent occasionner des dommages permanents à la surface de vitrocéramique si vous ne la nettoyez pas immédiatement.

Domages causés par du sucre chaud ou des matières

plastiques fondus

1 Éteignez toutes les unités de la table de cuisson. Enlevez toutes les casseroles chaudes.

2 Portez des gants de cuisine :

a. Utilisez un grattoir à lame simple (grattoir CERAMA BRYTE® pour table de cuisson en vitrocéramique) pour repousser les matières fondus sur une surface froide de la table de cuisson.

b. Enlevez les matières fondues avec une serviette en papier.

3 Vous devez laisser toute matière fondue que vous n'avez pas réussi à enlever jusqu'à ce que la table de cuisson refroidisse complètement.

4 Ne réutilisez jamais la table de cuisson avant d'avoir enlevé complètement les résidus

NOTE : S'il s'est déjà formé sur votre table de cuisson en vitrocéramique des creux ou des piqûres, vous devrez la remplacer. Dans ce cas, vous devez appeler le service.

Comment commander des pièces

Pour commander la crème et le grattoir CERAMA BRYTE®, veuillez composer notre numéro de téléphone sans frais.

Centre national de pièces

détachées : 800.626.2002.

Crème nettoyante CERAMA BRYTE®
pour table de cuisson
en vitrocéramique..... # WX10X300

Grattoir CERAMA BRYTE®
pour table de cuisson
en vitrocéramique # WX10X0302

Trousse..... # WB64X5027
(la trousse comprend un flacon de crème et un grattoir)

Éponges CERAMA BRYTE®
pour tables de cuisson
en vitrocéramique # WX10X350

Instructions d'installation

Surface de cuisson de électrique de 76 cm (30 po)

JP256

? "Des questions? Appelez le 1.800.561.3344 ou consultez notre site Web à : www.electromenagersge.ca"

AVANT DE COMMENCER

Lisez complètement et soigneusement les instructions suivantes.

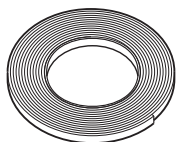
- **IMPORTANT** – Consultez ces instructions pour votre inspecteur local.
- **IMPORTANT** – Conservez tous les codes et les ordonnances en vigueur.
- **Note au monteur** – Assurez-vous de laisser ces instructions chez le consommateur.
- **Note au consommateur** – Conservez ces instructions pour les consulter plus tard.
- Toute panne de produit occasionnée par un mauvais montage n'est pas couverte par la garantie.

⚠ AVERTISSEMENT – Cet appareil doit être bien mis à la terre.

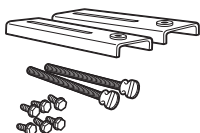
• **AVIS À L'INSTALLATEUR** – TOUTES LES SURFACES DE CUISSON DOIVENT ÊTRE RACCORDÉES DIRECTEMENT À UNE BOÎTE DE CONNEXION APPROUVÉE. IL EST INTERDIT D'UTILISER UN DISPOSITIF DE FICHE ET DE PRISE SUR CES PRODUITS.

- L'installateur a la responsabilité de s'assurer que l'installation est correcte et toute panne de produit occasionnée par un mauvais montage n'est pas couverte par la garantie.

PIÈCES COMPRISES

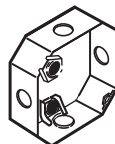


Strips de mousse



2 supports de fixation
6 vis à tête hexagonale
(4 requises, 2 supplémentaires)
2 vis de serrage

MATÉRIEL REQUIS



Boîte de jonction



Écrous pour fil de fer

OUTILS REQUIS



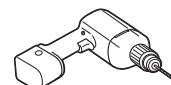
Crayon



Scie à main ou sauteuse



Tournevis à Phillips



Mandrin de perceuse de 3 mm (1/8 po) et perceuse électrique ou manuelle



Tourne-écrou de 1/4 po



Règle ordinaire ou de vérification



Lunettes de sécurité

Instructions d'installation

INSTRUCTIONS IMPORTANTES RELATIVES À LA SÉCURITÉ

POUR VOTRE SÉCURITÉ

- Pour votre sécurité personnelle, enlevez le fusible ou ouvrez le disjoncteur de circuit de votre maison avant de commencer votre installation. Si vous ne le faites pas, vous pouvez occasionner des blessures sérieuses ou même la mort.
- Assurez-vous que votre surface de cuisson soit bien installée par un installateur qualifié ou un technicien de service.
- Pour éliminer tout risque de brûlure ou d'incendie causé par des armoires de cuisine situées au dessus d'éléments de surface chauffante, vous devez éviter de placer toute armoire de cuisine au dessus de la surface de cuisson. Si vous êtes obligé de placer une armoire de cuisine sur la surface de cuisson, vous pouvez réduire le risque en installant une hotte à four qui avance horizontalement au moins de 12 cm (5 po) par rapport au bas de l'armoire. Vous ne pouvez pas installer d'armoire au dessus de la surface de cuisson à moins de 33 cm (13 po) de profondeur.
- Assurez-vous que les armoires et les revêtements de mur autour de la surface chauffante puissent supporter les températures [pouvant atteindre 93°C (200°F)] produites par la surface chauffante.
- La surface chauffante doit être facile à atteindre et éclairée par la lumière naturelle pendant la journée.
- Coupez toujours l'alimentation électrique de la surface de cuisson avant de la réparer ou de l'entretenir. Vous pouvez y arriver en débranchant le fusible ou en ouvrant le disjoncteur de circuit. Si vous ne le faites pas, vous pouvez causer des secousses dangereuses ou même mortelles. Vous devez savoir où votre disjoncteur principal d'alimentation est situé. Si vous ne le savez pas, faites-vous montrer son emplacement par un électricien.

BESOINS ÉLECTRIQUES

Vous devez alimenter cet appareil ménager par un courant de bonne fréquence et de bon voltage et vous devez le connecter à un circuit de dérivation particulier, bien mis à la terre, protégé par un disjoncteur ou un fusible du même ampérage que celui qui est noté sur la plaque signalétique de la surface de cuisson.

Nous vous recommandons de faire exécuter le câblage électrique et la connexion de votre surface de cuisson par un électricien qualifié. Après le montage, demandez à l'électricien de vous montrer l'emplacement du disjoncteur de votre surface de cuisson.

Le câblage doit être conforme au Code national de l'électricité. Vous pouvez vous procurer un exemplaire du Code national de l'électricité, ANSI/NFPA n° 70-plus récente édition, par écrit à :

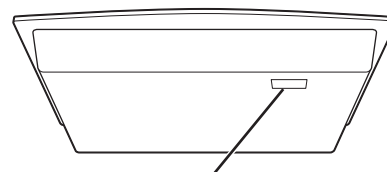
National Fire Protection Association
Batterymarch Park
Quincy, MA 02269, États-Unis

Au Canada, le câblage doit se conformer au Code canadien de l'électricité (CCE).

Le câblage de la table de cuisson est approuvé uniquement pour un branchement avec des fils de cuivre, et si le câblage de votre maison est en aluminium, vous devrez utiliser un connecteur spécial approuvé UL pour raccorder les fils de cuivre à ceux d'aluminium. Au Canada, vous devez utiliser des connecteurs spéciaux homologués CSA pour joindre le cuivre à l'aluminium.

Vous devez utiliser un système électrique à deux fils, trois conducteurs 208/240 V c.a., 60 Hertz. Il n'est pas nécessaire d'utiliser un fil blanc (neutre) avec cet appareil. La table de cuisson doit être branchée à un circuit qui ne dépasse pas 125 V c.a. de tension nominale.

Consultez la plaque signalétique de votre table de cuisson pour connaître son régime nominal en kilowatts.



Emplacement de la plaque signalétique

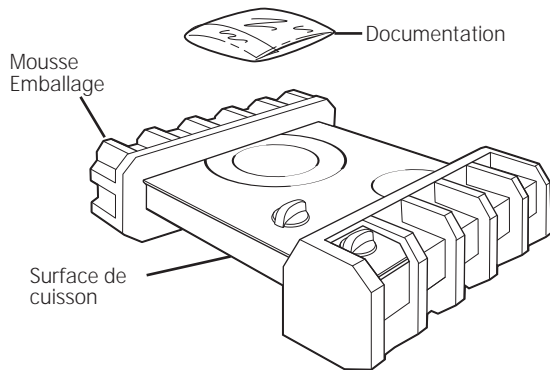
Instructions d'installation

LISTE DE VÉRIFICATION AVANT MONTAGE

⚠ AVERTISSEMENT – On doit couper l'alimentation électrique au câblage de la table de cuisson lorsqu'on effectue son branchement, sinon il peut en résulter de graves blessures et même la mort.

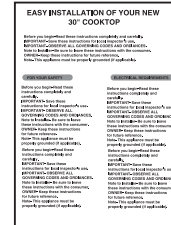
A Lors de la préparation de l'ouverture de la surface de cuisson, vous devez vous assurer que l'intérieur de l'armoire ne touche pas la surface de cuisson. (Voir la section sur la préparation de l'ouverture.)

B Enlevez les matériaux d'emballage et la documentation de votre surface de cuisson avant de commencer à l'installer.



C Enlevez les instructions de montage de la documentation et lisez-les soigneusement avant de commencer

Assurez-vous de ranger la documentation dans un endroit sûr pour la consulter dans l'avenir.



D Assurez-vous d'avoir tous les outils et tous les matériaux nécessaires avant de commencer à installer votre surface de cuisson.

E Votre maison doit être alimentée en courant électrique adéquat pour vous permettre de bien utiliser en toute sécurité votre surface de cuisson. (Voir la section sur les exigences en matière de conformité électrique.)

F Pour installer votre surface de cuisson dans votre maison, assurez-vous de vous conformer scrupuleusement à tous les codes et à toutes les ordonnances locales.

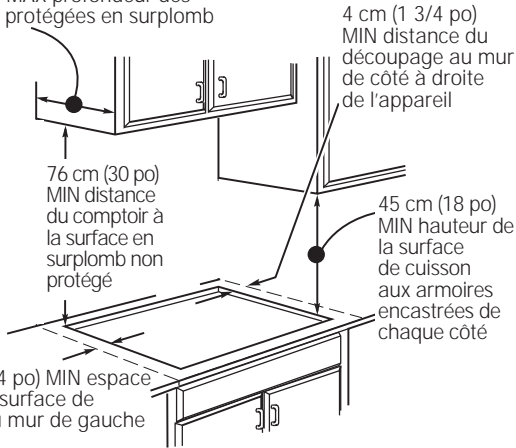
G Assurez-vous que les revêtements de mur, le comptoir et les armoires autour de la surface de cuisson puissent supporter la chaleur [93° C (200° F)] produite par la surface de cuisson.

Instructions d'installation

PRÉPARATION DE L'OUVERTURE

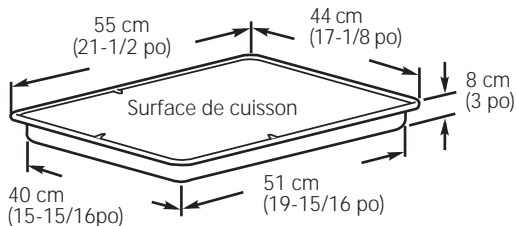
- 1** Vous devez respecter les dimensions suivantes d'espace vide minimum.

33 cm (13 po) MAX profondeur des armoires non protégées en surplomb

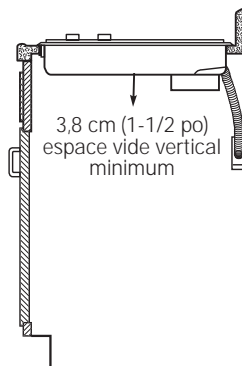


Si vous ne pouvez pas conserver un espace libre de 76 cm (30 po) entre la table de cuisson et les armoires en métal ou les matériaux inflammables situés au-dessus d'elle, vous avez besoin d'un espace libre d'au moins 61 cm (24 po) et vous devez protéger le bas de ces armoires d'un carton isolant de 6 mm (1/4 de po) recouvert d'une feuille de métal épaisse au moins de 0,3 mm (0,0122 po).

- 2** DIMENSIONS DE LA SURFACE DE CUISSON

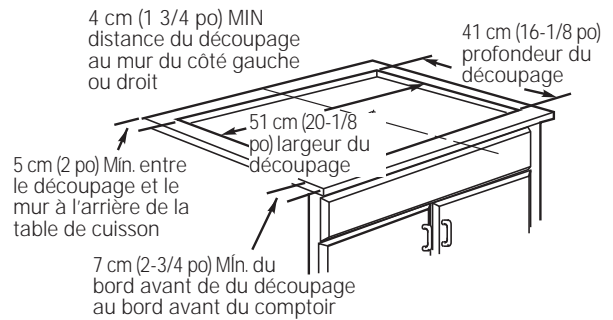


- 3** 3,8 cm (1-1/2 po) espace vide vertical minimum du bas de la surface de cuisson à tout surface inflammable.



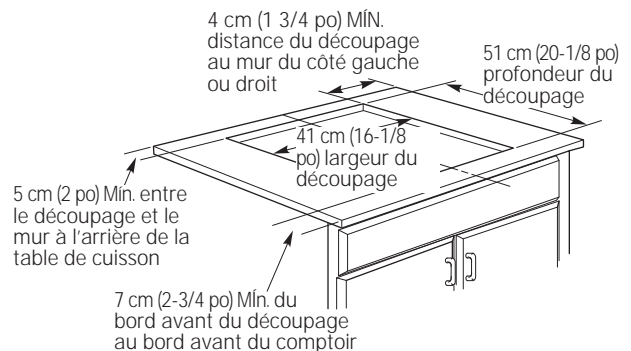
- 4** DIMENSIONS ET DÉGAGEMENTS D'INSTALLATION FACULTATIFS

Pour assurer la justesse du découpage, il vaut mieux faire un gabarit pour couper l'ouverture dans le comptoir.



INSTALLATION HORIZONTALE AVEC COMMANDES À L'AVANT

Dans cette installation, la table de cuisson doit être installée avec les boutons de commande vers le bord avant.



L'INSTALLATION VERTICALE DOIT ÊTRE ORIENTÉE AVEC LES COMMANDES SUR LE CÔTÉ GAUCHE

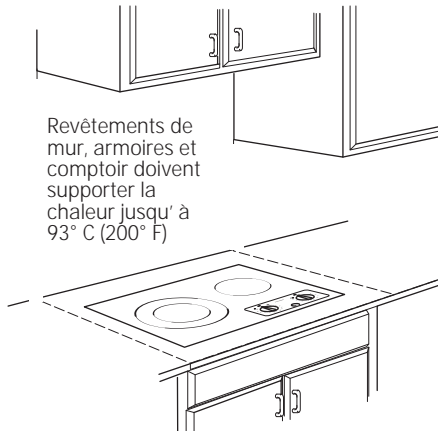
Afin d'éliminer les risques de brûlures au-dessus des surfaces chaudes, la table de cuisson doit être installée avec les commandes du côté gauche.

Dans cette installation, les plans de travail doivent avoir une profondeur minimale de 63,5 cm (25 po). Respectez toutes les distances minimales de dégagement à l'avant, à l'arrière et sur les côtés.

PRÉPARATION DE L'OUVERTURE (suite)

4 DIMENSIONS ET DÉGAGEMENTS D'INSTALLATION FACULTATIFS (suite)

Assurez-vous que les revêtements de mur, le comptoir et les armoires autour de la surface de cuisson puissent supporter la chaleur [93° C (200° F)] produite par la surface de cuisson.

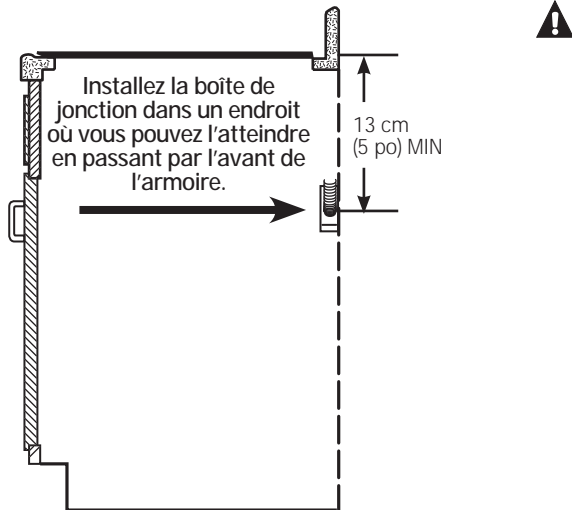


Instructions d'installation

INSTALLATION DE LA TABLE DE CUISSON

1 INSTALLATION DE LA BOÎTE DE JUNCTION

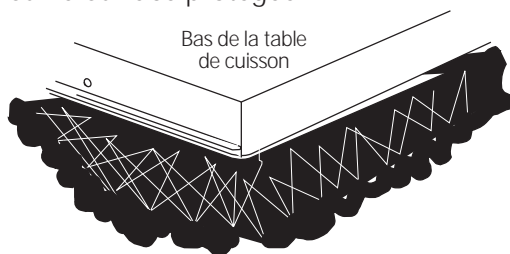
Installez une boîte de jonction approuvée dans un emplacement où vous pouvez facilement l'atteindre par le devant de l'armoire où est située la surface de cuisson. Le conduit de la surface de cuisson est 147 cm (58 po) de long.



IMPORTANT : Vous devez placer la boîte de jonction de manière à donner beaucoup de mou au conduit afin de pouvoir faire des réparations.

2 PROTÉGEZ LA SURFACE DE LA TABLE DE CUISSON

Placez une serviette ou un torchon sur le comptoir. Posez la table de cuisson à l'envers sur la surface protégée.

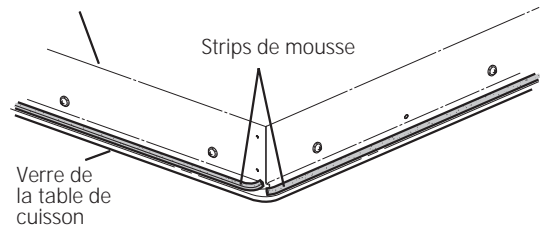


Toile sous la table de cuisson

3 FIXEZ LES STRIPS DE MOUSSE

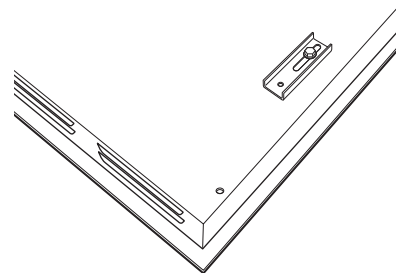
Posez les strips de mousse autour des bords extérieurs de la vitre. **Ne permettez pas de chevauchement de strips de mousse.**

Bas de la table de cuisson



4 INSTALLEZ LES PIÈCES DE FIXATION

Vissez une vis à travers la fixation dans la table de cuisson (des deux côtés). Ne serrez pas. Tournez la fixation vers l'intérieur pour éviter qu'elle ne gêne lors de l'insertion de la table de cuisson dans le plan de travail.

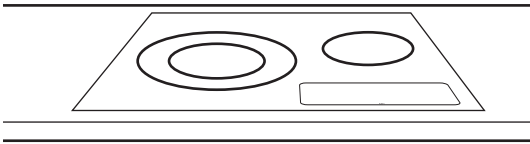
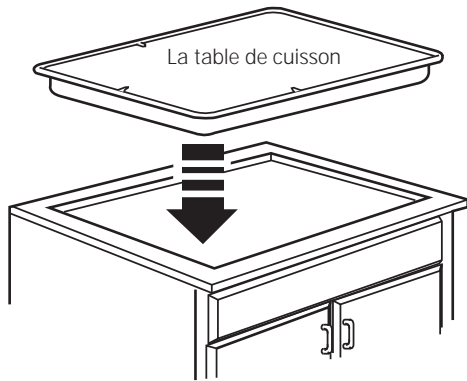


Instructions d'installation

INSTALLATION DE LA TABLE DE CUISSON (suite)

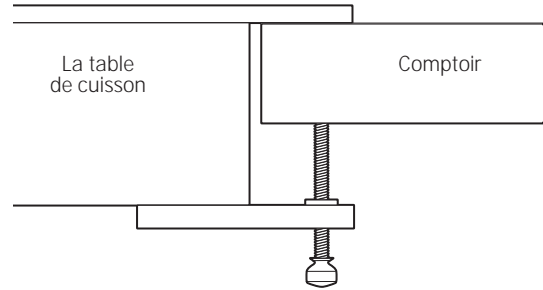
5 INSÉREZ LA TABLE DE CUISSON DANS LA OUVERTURE

Insérez la table de cuisson centrée dans l'ouverture découpée. Assurez-vous que le bord avant du comptoir soit bien parallèle à l'extrémité de la table de cuisson. Faites une vérification finale pour vous assurer de bien respecter tous les espaces libres.



6 ATTACHEZ LES SUPPORTS DE FIXATION AU CABINET

Ouvrez la porte du cabinet. Installez la deuxième vis à travers la support de fixation et serrez. Puis, serrez la première vis. Installez la vis de serrage jusqu'à ce qu'elle touche le fond du comptoir.

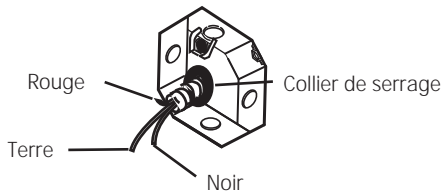


IMPORTANT : Vissez les vis de serrage jusqu'à ce qu'elles touchent le fond du comptoir. Ne serrez pas de façon excessive.

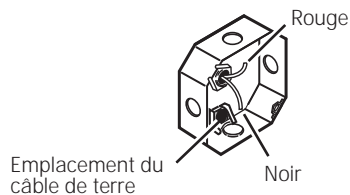
Instructions d'installation

MONTAGE—CONNEXION ÉLECTRIQUE

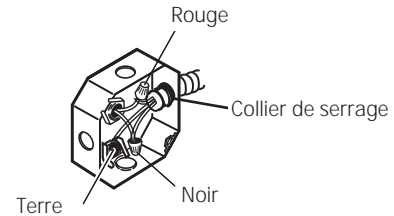
- A** Pour faire les raccords de fils, utilisez la longueur totale de conduit fourni. **Vous ne devez pas raccourcir le conduit.**
- B** Avec la table de cuisson en place, ouvrez l'avant de la porte de l'armoire.
- C** Insérez les fils du conduit par l'ouverture de la boîte de jonction.



- D** Raccordez les fils rouge et noir du conduit de la surface de cuisson aux fils correspondants de la boîte de jonction.



- E** Une fois les fils raccordés, fixez les fils ensemble à l'aide d'écrous à fils.



INSTRUCTIONS DE MISE À LA TERRE :

Le câble de terre nu, dans le conduit, est branché au châssis de la table de cuisson. À compter du 1er janvier 1996, le Code national de l'électricité ne permettra plus la mise à la terre à l'aide du fil neutre. Si l'appareil est utilisé dans une nouvelle construction après le 1er janvier 1996 ou dans une maison mobile, un véhicule récréatif ou si les codes locaux ne permettent pas la mise à la terre à l'aide du fil blanc neutre, branchez le fil de mise à la terre de l'appareil (vert ou cuivre nu) au conducteur de mise à la terre de la résidence (vert ou cuivre nu) en conformité avec les codes locaux. Si vous branchez à un circuit de dérivation de 3 conducteurs, si les codes locaux le permettent, branchez le câble nu de mise à la terre au câble neutre du circuit de dérivation (gris ou blanc).

▲ IMPORTANT : Si vous installez la table de cuisson sur un comptoir sans ouverture dessous, vous devez faire les branchements de câbles avant de mettre la table de cuisson dans son ouverture.

Instructions d'installation

LISTES DES VÉRIFICATION

1 LISTE DE VÉRIFICATION AVANT ESSAI

- A** Enlevez toute la pellicule protectrice présente et toute étiquette collée sur la table de cuisson.
- B** Vérifiez que tout le câblage soit sécuritaire, ne soit pas pincé et n'entre pas en contact avec des pièces en mouvement.
- C** Vérifiez l'horizontalité de l'appareil électroménager.
- D** Vérifiez que la table de cuisson soit bien mise à la terre.

2 LISTE DE VÉRIFICATION DE FONCTIONNEMENT

- A** Enlevez tous les articles de la surface de la table de cuisson.
- B** Branchez votre table de cuisson. Assurez-vous du bon fonctionnement de toutes les unités de la table de cuisson.
- C** Vérifiez que le disjoncteur de circuit ne soit pas déclenché ou que la fusible de la maison n'ait pas sauté.
- D** Vérifiez que le conduit soit bien connecté à la boîte de jonction.
- E** Consultez la liste de dépannage.

NOTE À L'USAGE DE L'ÉLECTRICIEN :

Les fils d'alimentation fournis avec cet appareil sont approuvés CSA pour des connexions à un câblage ménager de diamètre plus grand. L'isolement de ces fils a une notation de températures beaucoup plus élevées que la notation de température du câblage ménager. La capacité actuelle de transport d'un conducteur est régie par le diamètre du fil et par la notation de température de l'isolement se trouve autour du fil.

REMARQUE : CÂBLAGE D'ALUMINIUM

• AVERTISSEMENT :

TOUTE MAUVAISE CONNEXION D'UN CÂBLE MÉNAGER EN ALUMINIUM À UN FIL DE CUIVRE PEUT OCCASIONNER UN PROBLÈME SÉRIEUX.

- Joignez par épissure les fils de cuivre à des fils d'aluminium à l'aide de contacts spéciaux conçus et approuvés CSA pour connexion du cuivre à l'aluminium et suivez soigneusement les procédures d'épissure recommandées par le fabricant.

REMARQUE : Le fil utilisé, l'emplacement et l'isolement des épissures, etc. doivent se conformer aux bonnes pratiques de câblage et aux codes locaux.



Conseils de dépannage
Économisez du temps et de l'argent!
Consultez d'abord le tableau ci-dessous.
Vous pourriez vous éviter d'appeler un réparateur.

Problème	Causes probables	Correctifs
Les éléments de surface n'assurent pas une ébullition continue ou une cuisson suffisamment rapide	Utilisation d'un ustensile de cuisson inadéquat.	<ul style="list-style-type: none"> Utilisez des ustensiles dont le fond est absolument plat et dont le diamètre est très similaire à celui de l'élément de surface choisi.
Les éléments de surface ne fonctionnent pas adéquatement	Un fusible peut être fondu ou un disjoncteur déclenché dans le panneau de distribution de votre résidence.	<ul style="list-style-type: none"> Remplacez le fusible ou réenclenchez le disjoncteur.
	Commandes mal réglées.	<ul style="list-style-type: none"> Assurez-vous de régler le bouton de commande correspondant à l'élément que vous désirez utiliser.
Égratignures (pouvant ressembler à des fissures) sur la surface de vitrocéramique	Mauvaises méthodes de nettoyage.	<ul style="list-style-type: none"> Utilisez les méthodes de nettoyage recommandées.
	Utilisation d'ustensiles de cuisson dont le fond est rugueux ou présence de particules (sel ou sable) entre l'ustensile et la surface de la table de cuisson. Vous avez fait glisser un ustensile de cuisine sur la surface de la table de cuisson.	<ul style="list-style-type: none"> Assurez-vous que le fond de vos ustensiles de cuisine soit propre avant de les utiliser et n'utilisez que des ustensiles de cuisine à fond bien lisse. Vous rendrez moins visibles les égratignures peu profondes en nettoyant la table de cuisson.
Décoloration de la table de cuisson	Utilisation d'ustensiles de cuisson inappropriés.	<ul style="list-style-type: none"> Les marques laissées par les casseroles en aluminium ou en cuivre et les dépôts minéraux laissés par l'eau ou la nourriture peuvent être enlevés à l'aide de la crème nettoyante.
	Surface chaude de surface en vitrocéramique blanche.	<ul style="list-style-type: none"> C'est normal. La surface peut apparaître décolorée quand elle est chaude. Cette décoloration temporaire disparaît quand la surface en vitrocéramique refroidit.
	Déchets de nourriture non nettoyés avant l'usage suivant.	<ul style="list-style-type: none"> Consultez la section <i>Nettoyage de la surface en vitrocéramique</i>.
	Utilisation de méthodes de nettoyage inappropriées.	<ul style="list-style-type: none"> Utilisez les procédures de nettoyage recommandées.
Matière plastique fondue sur la surface cuisson chaude.	De la matière plastique a été placée sur la table de cuisson.	<ul style="list-style-type: none"> Consultez la section <i>Surface en vitrocéramique – possibilité de dommages permanents</i> dans la section <i>Nettoyage de la surface en vitrocéramique</i>.
Creux ou piqûres sur la table de cuisson	Mélange contenant du sucre chaud renversé sur la table de cuisson.	<ul style="list-style-type: none"> Appelez un technicien pour remplacer la table de cuisson.
Fonctionnement cyclique fréquent des éléments de surface	Utilisation d'un ustensile de cuisson inadéquat.	<ul style="list-style-type: none"> Pour réduire au minimum ce fonctionnement cyclique, n'utilisez que des ustensiles de cuisson à fond plat. Voir la section <i>Plaques électriques s'allument et s'éteignent</i>.
Le bouton de commande ne veut pas tourner	Les boutons de commande sont mal réglés.	<ul style="list-style-type: none"> Lorsque le bouton est en position « Off », on doit l'enfoncer avant de pouvoir le faire tourner. Dans toute autre position, on peut le tourner librement sans avoir à l'enfoncer.

Garantie de la table de cuisson électrique.



Toutes les réparations sous garantie sont effectuées par nos Centres de réparation ou par nos réparateurs Mabe autorisés. Pour obtenir du service en ligne 24 heures par jour, veuillez nous visiter au site www.electromenagersge.ca ou appelez le no 1.800.561.3344. Veuillez fournir le numéro de série et le numéro de modèle lorsque vous appelez pour obtenir le service.

Agrapez votre reçu ici. Vous devez fournir la preuve de l'achat original pour obtenir des services en vertu de la garantie.

Pendant une période de :

Mabe remplacera :

Un an
date
d'achat d'origine

Toute pièce de la table de cuisson qui se révèle défectueuse en raison d'un vice de matières ou de fabrication. Au cours de cette **garantie limitée d'un an**, nous fournirons également **sans frais** la main-d'oeuvre et le service de réparation connexe pour remplacer la pièce défectueuse.

Ce que Mabe ne couvre pas :

- Toute visite à votre domicile pour vous expliquer le fonctionnement de l'appareil.
- Installation, livraison ou entretien inadéquats.
- Toute défectuosité du produit lorsqu'il a été utilisé d'une façon abusive ou inadéquate, ou employé à des fins commerciales ou à toute autre fin que celle pour laquelle il a été conçu.
- Détérioration de la surface de cuisson en verre provoquée par l'usage de nettoyeurs autres que les crèmes et tampons de nettoyage recommandés.
- Détérioration de la surface de cuisson en verre causée par des éclaboussures de produits sucrés durcis, ou du plastique fondu qui n'a pas été nettoyé selon les instructions données dans le manuel d'utilisation.
- Le remplacement des fusibles ou le réenclenchement des disjoncteurs du panneau de distribution de votre résidence.
- Tout dommage au produit attribuable à un accident, un incendie, une inondation ou un cas de force majeure.
- Tout dommage direct ou indirect causé par une défectuosité possible de cet appareil.
- Dommages survenus après la livraison.
- Le service s'il est impossible d'avoir accès au produit pour ce faire.

EXCLUSION DE GARANTIES IMPLICITES – Votre seul et unique recours est la réparation du produit selon les dispositions de cette Garantie limitée. Toutes les garanties implicites, incluant les garanties de commercialité et d'adéquation à un usage spécifique, sont limitées à une année ou à la période la plus courte autorisée par la législation.

Cette garantie est valable pour le premier propriétaire et tout autre propriétaire du produit s'il acheté pour utilisation domestique au Canada. Le service à domicile sous garantie sera fourni là où il est disponible et dans les régions que Mabe considère que l'offre de service est raisonnable.

Dans certaines provinces, il est interdit d'exclure ou de limiter les dommages directs ou indirects. Il est alors possible que les limitations ou exclusions ci-dessus ne s'appliquent pas dans votre cas. La présente garantie vous confère des droits juridiques spécifiques. Vous pouvez bénéficier d'autres droits, qui varient d'une province à l'autre. Pour connaître les droits dont vous bénéficiez dans votre province, communiquez avec le bureau des relations avec les consommateurs de votre région.

Garant : Mabe Canada Inc.,
Burlington, Ontario

Service à la clientèle.



Site Internet GE

www.electromenagersge.ca

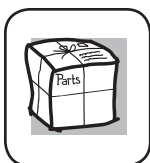
Pour toute question ou pour un besoin d'assistance au sujet de votre appareil ménager, consultez le site Internet ci-dessus, accessible 24 heures sur 24 par jour, chaque jour de l'année! À partir du site, vous pouvez télécharger les manuels d'utilisation.



Prise de rendez-vous

www.electromenagersge.ca

Il est très facile de demander l'intervention d'un technicien expert en réparation GE. Appelez le 1.800.561.3344, 24 heures par jour, 7 jours par semaine.



Pièces et accessoires

www.electromenagersge.ca

Pour vous renseigner sur l'achat d'une pièce ou d'un accessoire pour votre appareil, appelez notre Centre national de pièces au 1.800.661.1616.



Pour nous contacter

www.electromenagersge.ca

Si vous n'êtes pas satisfaits des services fournis par GE, contactez-nous sur notre site Internet et donnez-nous tous les détails voulus, y compris votre numéro de téléphone, ou écrivez à :

Mabe Canada Inc.
1 Factory Lane
Moncton, Nouveau-Brunswick
E1C 9M3



Enregistrement des appareils

www.electromenagersge.ca

Vous pouvez enregistrer vos appareils en ligne—n'importe quand! L'enregistrement de vos appareils permettra de meilleures communications et l'obtention plus rapide des services sous garantie nécessaires. Vous pouvez également nous envoyer par la poste la carte d'enregistrement pré-imprimée fournie avec l'appareil, ou détacher le formulaire qu'on trouve dans le Manuel de l'utilisateur.

Instrucciones de seguridad 50-52

Instrucciones de operación .
Características de su estufa 53
Consejos sobre los utensilios
de cocina 56,57
Elemento de superficie doble . . . 55
Elementos de superficie 54,55
Limitador de temperatura 55

Cuidado y limpieza
Perillas de control 57
Superficie de vidrio 58,59

Instrucciones de instalación 60-68

Consejos para la solución de problemas 69

Soporte al consumidor
Garantía 70
Soporte al consumidor 71

Escriba los números de modelo y de serie aquí:

No. de modelo _____

No. de serie _____

Los puede encontrar en la etiqueta que está debajo de la superficie de la estufa.

INFORMACIÓN DE SEGURIDAD IMPORTANTE. LEA TODAS LAS INSTRUCCIONES ANTES DE SU USO.

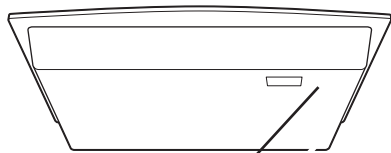
⚠ ¡ADVERTENCIA!

Por su seguridad, se debe seguir la información de este manual para reducir el riesgo de incendio o explosión, descarga eléctrica o para evitar daños a la propiedad, lesiones personales o la pérdida de la vida.

PRECAUCIONES DE SEGURIDAD

Cuando use electrodomésticos, se deben seguir precauciones básicas de seguridad, incluyendo las siguientes:

- Use este electrodoméstico sólo para el uso descrito en este manual.
- No intente reparar o reemplazar alguna parte de su estufa a menos que se recomiende específicamente en este manual. Cualquier otro servicio se debe remitir a un técnico calificado.
- Antes de realizar cualquier servicio, desconecte la fuente de energía de la estufa en el tablero general de distribución retirando el fusible o apagando el interruptor de circuitos.
- Asegúrese de que un electricista calificado instale y conecte a tierra correctamente el electrodoméstico de acuerdo con las instrucciones de instalación suministradas. Este electrodoméstico debe contar con el voltaje y frecuencia adecuados, así como conectarse con un circuito derivado individual y descargado a tierra adecuadamente, protegido por un cortacircuitos o fusible aceptable para el voltaje indicado en el rótulo.
- Pida al instalador que le muestre la ubicación del interruptor de circuitos o fusible. Márquelo para una fácil referencia.
- No deje a los niños solos o sin supervisión en una zona donde un electrodoméstico está en uso. Nunca se debe permitir que alguien se siente o se pare en alguna parte del electrodoméstico.
- Enseñe a los niños a no jugar con los controles ni con ninguna otra parte de la estufa.
- No permita que nadie salte, se pare o se cuelgue de la estufa.



Ubicación del rótulo

- **PRECAUCIÓN:** No se deben guardar en los gabinetes encima de la estufa artículos de interés para los niños ya que si se suben en la estufa para alcanzar dichos artículos pueden sufrir serias lesiones.

- Siempre mantenga el papel de colgadura o las cortinas de material combustible a una distancia prudente de la estufa.
- Siempre mantenga las toallas y paños para platos, guantes para ollas y otros artículos de tela a una distancia prudente de la estufa.
- Siempre mantenga los utensilios plásticos y de madera y los alimentos enlatados a una distancia prudente de la estufa. Podrían calentarse y provocar quemaduras.
- Nunca use ropa suelta o prendas que cuelguen mientras utiliza el electrodoméstico. El material inflamable se podría prender si entra en contacto con elementos calientes de la superficie y puede causar quemaduras severas.
- Use únicamente guantes para ollas que estén secos; los guantes húmedos en superficies calientes pueden causar quemaduras por el vapor. No deje que los guantes para ollas toquen los elementos calientes de la superficie. No use toallas u otros paños gruesos que puedan arder si entran en contacto con el elemento caliente de la superficie.
- Por su seguridad, nunca use este electrodoméstico para calentar el cuarto de la cocina.
- No use agua para extinguir incendios de grasa. Nunca levante una olla en llamas. Apague los controles. Sofoque la olla en llamas en un elemento de la superficie cubriendo la olla completamente con una tapa que encaje bien, con una bandeja de galletas o plana. Use un extintor químico seco multiusos o de tipo espumoso.
- Se debe sofocar la grasa encendida por fuera de la olla cubriéndola con soda cáustica o si está disponible, usando un extintor químico seco multiusos o de tipo espumoso.
- No queme alimentos sobre la estufa. Si quema alimentos bajo la campana, encienda el ventilador.
- No deje acumular grasas u otros materiales inflamables en la superficie.

⚠ ¡ADVERTENCIA!

PRECAUCIONES DE SEGURIDAD

- No toque los elementos de la superficie. Estas superficies pueden estar tan calientes como para quemar aunque estén de color oscuro. Durante y después de su uso, no las toque, ni permita que algún paño u otro material inflamable entre en contacto con los elementos de la superficie o con las áreas cercanas a los elementos de la superficie; deje suficiente tiempo para que se enfrien primero.
- Las zonas potencialmente calientes son la superficie de la estufa y las áreas al frente.
- Para reducir la posibilidad de quemaduras, el encendido de materiales inflamables y los derrames, el mango de cualquier recipiente se debe girar hacia el centro de la estufa sin extenderse hacia ningún elemento cercano de la superficie.
- Apague siempre el control del elemento de la superficie antes de retirar el recipiente.
- Use sartenes de tamaño apropiado. Seleccione aquellas que tengan fondos planos suficiente para cubrir el elemento de calentamiento del elemento de la superficie. El uso de ollas o sartenes de menor tamaño expondrá una porción del elemento de la superficie al contacto directo y puede causar que la ropa se encienda. La relación correcta de la olla o sartén con respecto al elemento también mejorará la eficiencia.
- Nunca deje los elementos de la superficie sin atención en niveles de alta temperatura. Hervir en exceso causa humaredas y derramamientos de grasa que se pueden encender.
- Sólo ciertos tipos de vidrios, vidrio/cerámica, vajillas de barro u otros recipientes de vidrio son adecuados para cocinar en la superficie de la estufa; otros se podrían romper debido a un cambio brusco de temperatura.
- Vigile los alimentos mientras se frien a niveles de temperatura altos o medios.
- Los alimentos a freír deben estar lo más secos posible. La escarcha de los alimentos congelados o la humedad en los alimentos frescos puede hacer que la grasa caliente salpique por fuera de los lados de la olla.
- Use poca grasa para freír incluso al sumergir los alimentos en la grasa. Llenar la olla con demasiada grasa puede resultar en derramamientos cuando se agregan los alimentos.
- Si se usa una combinación de aceites o grasas para freír, revuelva antes de calentar, o a medida que las grasas se mezclan lentamente.
- Siempre caliente la grasa lentamente y vigile mientras se calienta.
- Cuando sea posible, use un termómetro para grasa para evitar sobrecalentar la grasa.
- Nunca trate de mover una sartén con grasa caliente, especialmente una sartén profunda para freír. Espere hasta que la grasa esté fría.
- No almacene materiales inflamables cerca de la estufa.
- Mantenga los filtros de la campana y de la grasa limpios para mantener una buena ventilación y evitar que la grasa se encienda.
- No almacene o use materiales combustibles, gasolina u otros vapores y líquidos inflamables en la cercanía de éste o cualquier electrodoméstico.
- Limpie sólo las partes señaladas en este manual del propietario.
- No deje productos de papel, utensilios de cocina o alimentos en la estufa cuando no esté en uso.
- Mantenga la estufa limpia y libre de acumulación de grasa o derramamientos que se puedan encender.
- Nunca caliente recipientes de alimentos sin abrir, el aumento de presión podría causar que la lata explotara u otras lesiones.
- Nunca deje frascos o latas con restos de grasa sobre o cerca de la superficie de la estufa.
- Nunca use este electrodoméstico para calentar el cuarto de la cocina.

COCINE LA CARNE Y LAS AVES COMPLETAMENTE...

Cocine la carne y las aves completamente. La carne se debe cocinar a una temperatura mínima INTERNA de 160° F y las aves a una temperatura mínima INTERNA de 180° F. Normalmente, cocinar a estas temperaturas protege contra enfermedades causadas por los alimentos.

INFORMACIÓN DE SEGURIDAD IMPORTANTE. LEA TODAS LAS INSTRUCCIONES ANTES DE SU USO.

⚠ ¡ADVERTENCIA!

ELEMENTOS RADIANTES DE LA SUPERFICIE

Tenga cuidado al tocar la estufa. La superficie de vidrio de la estufa retendrá el calor después de que se hayan apagado los controles.

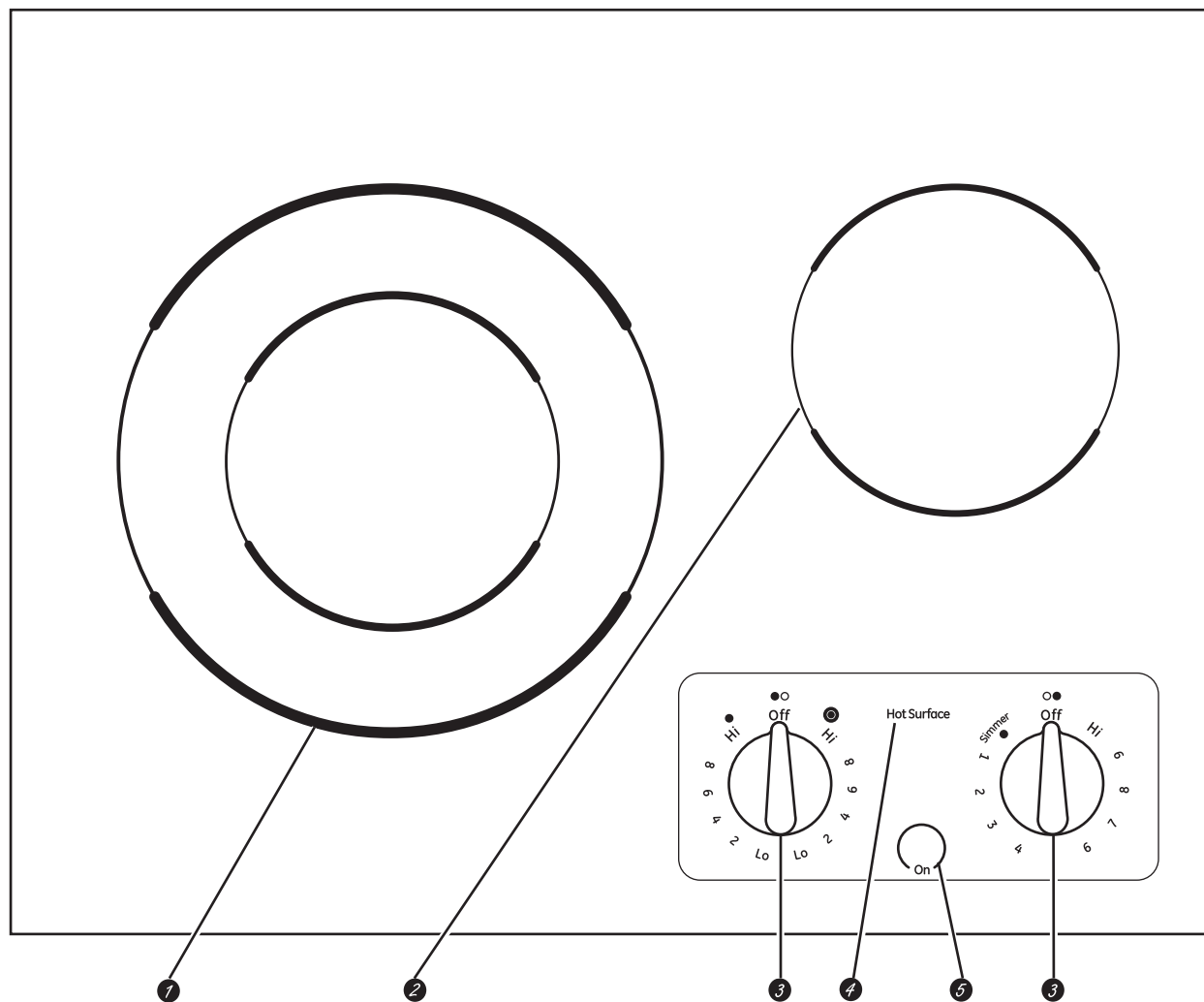
- Evite raspar la cubierta de vidrio de la estufa. La estufa puede rayarse con objetos tales como instrumentos puntiagudos, anillos u otros tipos de joyería y remaches en la ropa.
- Nunca use la superficie de vidrio de la estufa como una tabla para picar.
- No coloque o almacene objetos sobre la superficie de la cubierta de vidrio de la estufa cuando no esté en uso.
- Tenga cuidado al momento de colocar cucharas u otros utensilios para agitar sobre la cubierta de vidrio de la estufa mientras esté en uso. Podrían calentarse y provocar quemaduras.
- Evite calentar una cacerola vacía. Hacerlo podría dañar tanto a la estufa como la cacerola.
- No deje que agua, otros líquidos o grasa permanezcan sobre la estufa.
- Para minimizar la posibilidad de quemaduras, asegúrese de que los controles de todos los elementos de la superficie estén en la posición de apagado y que toda la superficie de vidrio de la estufa esté fría antes de limpiarla.
- No opere los elementos superficiales de vidrio si el vidrio está roto. Los derrames o la solución limpiadora pueden penetrar en una estufa rota y crear el riesgo de un shock eléctrico. Si la cubierta de vidrio de su estufa llegara a romperse, póngase en contacto con un técnico calificado de inmediato.
- Limpie la estufa con cuidado. Si usa una esponja o paño para limpiar los derrames en algún elemento de superficie caliente, tenga cuidado y evite las quemaduras por vapor. Algunos limpiadores pueden producir emisiones tóxicas si se les aplica sobre una superficie caliente.
- **NOTA:** Recomendamos que evite limpiar las áreas de los elementos de la superficie hasta que se hayan enfriado y la luz indicadora se haya apagado. **Los derrames de azúcar son la excepción a esta recomendación.** Consulte la sección *Limpieza de la cubierta de vidrio de la estufa*.
- Para evitar la posibilidad de dañar la superficie de la estufa, no aplique la crema limpiadora a la superficie de vidrio cuando esté caliente.
- Después de limpiar, use un paño seco o bien una toalla de papel para remover los residuos de crema limpiadora.
- Lea y siga todas las instrucciones y advertencias de las etiquetas de la crema limpiadora.
- Tenga cuidado al tocar la estufa. La superficie de vidrio de la estufa retendrá el calor después de que los controles se hayan colocado en la posición **OFF**.
- No se pare sobre la estufa con cubierta de vidrio.
- Los rayones o impactos severos sobre las estufas con cubierta de vidrio podrían romper o astillar el vidrio.

**LEA Y SIGA ESTAS INSTRUCCIONES
DE SEGURIDAD CUIDADOSAMENTE.**

CONSERVE ESTAS INSTRUCCIONES

Características de su estufa.

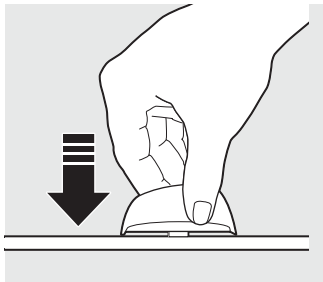
A lo largo de este manual, las características y apariencia pueden variar con los de su modelo.



<i>Índice de características (Las características y la apariencia puede variar.)</i>	<i>Se explica en la página</i>
1 Elemento de superficie doble	6, 7
2 Elemento de superficie simple	7
3 Perillas de control del elemento de superficie	6
4 Luz indicadora de superficie caliente	6
5 Luz indicadora en posición de ENCENDIDO (ON)	6

Cómo usar los elementos de superficie.

A lo largo de este manual, las características y apariencia pueden variar con los de su modelo.



Cómo operar

Presione la perilla hacia abajo y gire en una u otra dirección para ajustar a su gusto. Cuando el control esté en otra posición que no sea apagado (**OFF**), puede girarse sin necesidad de presionarlo.

En las posiciones apagado (**OFF**), alto (**Hi**), bajo (**Lo**) o **Simmer**, el control encaja en su sitio. Puede escuchar algunos **chasquidos** mientras cocina, lo que indica que el control está manteniendo el nivel de calor que usted ajustó.

Los controles para los elementos de superficie pueden ajustarse entre bajo (**Lo**) o **Simmer** y alto (**Hi**) para un número ilimitado de ajustes de calor. Con el interruptor, los ciclos de los elementos se encienden y apagan para mantener el ajuste de control de su elección.

Se encenderá la luz indicadora cuando **cualquier** elemento de superficie está encendido.

Se encenderá una luz indicadora de **Superficie Caliente** cuando se encienda algún elemento radiante; la luz permanecerá encendida hasta que la superficie se enfríe aproximadamente hasta 150 °F.

NOTA:

- Se enciende cuando el elemento está caliente al tacto.
- Permanece encendida incluso después de que el elemento se apaga.
- Brilla intensamente hasta que el elemento se enfríe a aproximadamente 150 °F.
- Asegúrese de apagar la perilla de control cuando termine de cocinar.



Nunca cocine directamente sobre el vidrio. Siempre use piezas de cocina.



Siempre coloque la cacerola en el centro del elemento de superficie en la que está cocinando.

Acerca de los elementos de superficie radiantes...

La estufa radiante tiene elementos calentadores por debajo de una superficie suave de vidrio.

NOTA: Un olor ligero es normal cuando una estufa nueva es usada por primera vez. Esto es causado por el calentamiento de las partes nuevas y los materiales de aislamiento y desaparecerá en corto tiempo.

NOTA: En algunos modelos de estufas con vidrios con colores ligeros, es normal que la zona de cocinado cambie de color cuando se calienta o cuando se enfría. Esto es temporal y desaparecerá conforme el vidrio se enfría a temperatura ambiente.

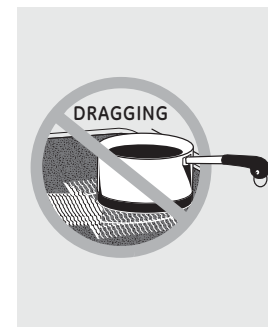
El elemento de superficie hará ciclo entre encendido y apagado para mantener los controles de su selección.

Es seguro colocar una pieza de cocina caliente del horno o de la superficie sobre la superficie de vidrio cuando la superficie está fría.

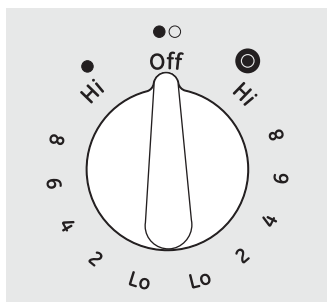
Aún después de que los elementos de superficie son apagados, la estufa de vidrio retiene suficiente calor para continuar cocinando. Para evitar cocinar excesivamente, remueva las cacerolas de los elementos de superficie cuando la comida se haya cocinado.

Evite colocar utensilios que podrían sobrecalentarse o plásticos que podrían derretirse sobre el elemento de superficie hasta que se haya enfriado por completo.

- Las manchas de agua (depósitos de minerales) se remueven usando una crema de limpieza o vinagre blanco puro.
- El uso de limpiador de ventanas podría dejar una película iridiscente sobre la estufa. La crema de limpieza removerá esta decoloración.
- No almacene artículos pesados sobre la estufa. Si se caen sobre la estufa, podrían dañarla.
- No use la superficie como tabla de corte.




No deslice cacerolas encima de la superficie de la estufa porque esto podría rasguñar el vidrio. El vidrio es resistente, pero no es a prueba de rasguños.




Elemento de superficie doble (en algunos modelos)

El elemento de superficie frontal izquierdo cuenta con 2 tamaños de cocción para su elección, de modo que puede ajustar el tamaño del elemento con el tamaño del utensilio que está usando.

Para usar el elemento de superficie grande, gire la perilla de **SELECCIÓN** a . Presione y gire la perilla de control al ajuste deseado. El elemento calentará el área completa contenida en el círculo grande.

Para usar el elemento de superficie pequeño, gire la perilla de **SELECCIÓN**

a . Presione y gire la perilla de control al ajuste deseado. El elemento sólo calentará el área dentro del círculo pequeño.

Ciclos de encendido y apagado de los elementos de superficie

Los elementos de superficie intercalarán ciclos de encendido y apagado para mantener la temperatura de su elección.

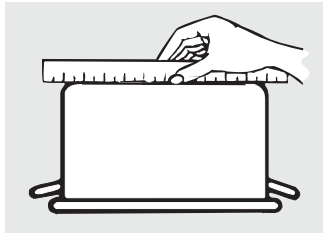
Todos los elementos de superficie radiantes cuentan con un limitador de temperatura que evita que la cubierta de vidrio de la estufa se caliente demasiado.

El limitador de temperatura puede intercalar los ciclos a apagado durante la cocción si:

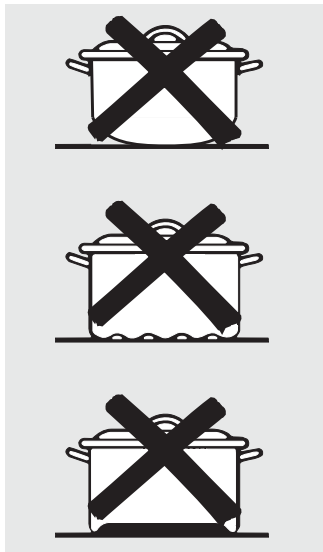
- Después de hervir el líquido contenido en la cacerola se evapora.
- El fondo de la cacerola no es plano.
- La cacerola está fuera del centro.
- No hay ninguna cacerola sobre el elemento.

Cómo seleccionar los tipos de utensilios.

La información siguiente le ayudará a escoger piezas de cocina que le darán un mejor rendimiento sobre su estufa de vidrio.



Verifique que los fondos de las cacerolas estén planos usando una tablilla derecha.



No se recomienda el uso de cacerolas con fondos redondeados, curvados, con protuberancias o pandeados.

Acero inoxidable:
recomendable

Aluminio:

Se recomienda el uso de aluminio pesado

Buena conductividad. Los residuos de aluminio a veces tienen la apariencia de raspones sobre la estufa, pero pueden eliminarse si se limpian de inmediato. Debido a su punto de fusión bajo, no debe usarse aluminio ligero.

Cobre:
recomendable

Fondos de cobre:

puede usarse, pero no se recomienda

Las cacerolas con fondos de cobre pueden dejar residuos con la apariencia de raspones. Elimine cualquier residuo inmediatamente después del uso. No deje que el líquido hirviendo en una cacerola se evapore. El metal sobrecalentado puede adherirse a la cubierta de vidrio de la estufa y dejar una mancha permanente si no se retira de inmediato.

Hierro fundido con porcelana esmaltada:
recomendable

El uso de este tipo de utensilios es recomendable siempre que estén cubiertos por completo con porcelana esmaltada. Se recomienda tener cuidado con utensilios de hierro fundido que no estén cubiertos por completo con esmalte de porcelana, ya que podrían rayar la cubierta de vidrio de la estufa.

Vidrio-cerámica:

Puede usarse, pero no se recomienda

Bajo rendimiento. Podría raspar la superficie.

Cerámica de gres:

Puede usarse, pero no se recomienda

Bajo rendimiento. Podría raspar la superficie.

Use cacerolas que correspondan con el diámetro del elemento de superficie. El desempeño de cocción no será bueno si los utensilios son más pequeños o más grandes que el elemento de superficie.

Para obtener mejores resultados

■ Coloque únicamente cacerolas secas sobre los elementos de superficie. No coloque tapas sobre los elementos de superficie, en especial tapas mojadas.

■ No use woks con anillos de soporte. Este tipo de wok no se calentará sobre elementos de superficie de vidrio.

■ Recomendamos que use únicamente woks con fondo plano. Están disponibles en su tienda local. El fondo del wok debe ser del mismo diámetro que el elemento de superficie para garantizar un contacto adecuado.

■ Algunos procedimientos especiales de cocción requieren utensilios específicos tales como estufas de presión, freidoras de aceite, etc. Todos los utensilios deben contar con fondos planos y ser del tamaño correcto.



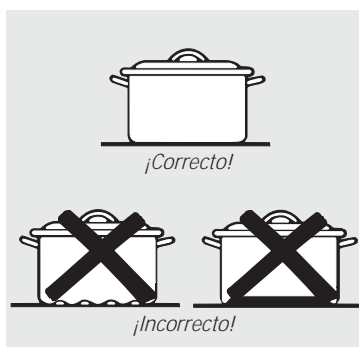
No coloque cacerolas mojadas sobre la cubierta de vidrio de la estufa.



No use woks con anillos de soporte sobre la cubierta de vidrio de la estufa.



Use woks con fondo plano sobre la cubierta de vidrio de la estufa.



Nota: Las enlatadoras con fondo plano son necesarias para las estufas con cubierta de vidrio.

Siga los siguientes puntos para la preparación de enlatados

Las cacerolas que tengan una superficie mayor a 1" del círculo del elemento de superficie no se recomiendan para la mayor parte de la cocción sobre la superficie. No obstante, cuando enlate por medio de baño María o un elemento de presión, pueden usarse cacerolas de mayor diámetro. Esto es debido a que las temperaturas del agua hirviendo (incluso bajo presión) no dañan las superficies de la estufa alrededor de los elementos de superficie.

NO OBSTANTE, NO USE ENLATADORAS DE GRANDES DIÁMETROS U OTRAS CACEROLAS GRANDES PARA FREÍR O HERVIR ALIMENTOS QUE NO SEAN AGUA. La mayoría de las mezclas de jarabe o salsa (y todos los tipos de fritura) se cuecen a temperaturas más elevadas que la del agua hirviendo. Tales temperaturas podrían eventualmente dañar la superficie de la cubierta de vidrio de la estufa.

- 1 Asegúrese de que la enlatadora se ajuste al centro del elemento de superficie. Si su estufa o su ubicación no permiten centrar la enlatadora sobre el elemento de superficie, use cacerolas de menor diámetro para obtener mejores resultados de enlatado.
- 2 Deben emplearse enlatadoras de fondo plano. No use enlatadoras con fondos rebordeados u ondulados (con frecuencia en utensilios esmaltados), debido a que no tienen el contacto suficiente con los elementos de superficie y requiere más tiempo hervir el agua.
- 3 Cuando enlate, use recetas y procedimientos que provengan de fuentes confiables. Las recetas y procedimientos de fuentes confiables están disponibles a través del fabricante de su enlatadora; fabricantes de frascos de vidrio para enlatar, tales como la marca Ball and Kerr, y el Servicio de Extensión del Departamento de Agricultura de EE.UU.

- 4 Recuerde que el enlatado es un proceso que genera gran cantidad de vapor. Para evitar quemaduras debidas al vapor o calor, tenga cuidado al enlatar.

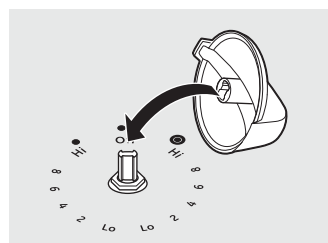
NOTA: Si su casa cuenta con un voltaje bajo, el enlatado puede tomar más tiempo del esperado, incluso si se han seguido las instrucciones cuidadosamente. El tiempo del proceso disminuirá si:

- (1) usa una enlatadora a presión, y
- (2) si comienza con agua del grifo CALIENTE para un calentado más rápido de cantidades mayores de agua.

PRECAUCIÓN:

- El enlatado seguro requiere la destrucción de microorganismos dañinos y que los frascos estén completamente sellados. Cuando enlate alimentos con una enlatadora de baño María, debe mantenerse un hervor ligero pero constante durante el tiempo requerido. Cuando enlate alimentos con una enlatadora a presión, debe mantenerse la presión durante el tiempo requerido.
- Una vez que haya ajustado los controles, es muy importante que se asegure que los niveles de hervor o presión prescritos se mantengan durante el tiempo requerido.
- Debido a que debe asegurarse de enlatar durante el tiempo prescrito, sin interrupción alguna durante el periodo del proceso, no enlate sobre ningún elemento de superficie de la estufa si su enlatadora no es plana.

Cuidado y limpieza de la estufa.



Perillas de control

Las perillas de control pueden retirarse para facilitar la limpieza.

Asegúrese de que las perillas estén en la posición apagado (**Off**) y jálelas directamente del vástago para su limpieza.

Las perillas pueden limpiarse en un lavavajillas o bien lavarse con agua y jabón. No retire el borde dorado decorativo (disponible en algunos modelos). Asegúrese que el interior de las perillas esté seco antes de colocarlas de nuevo en la estufa.

Coloque las perillas de nuevo en la posición apagado (**Off**) para garantizar una colocación correcta.

Cómo limpiar la cubierta de vidrio de la estufa.



Limpe su estufa después de cada derrame. Use el limpiador de estufas de cerámica CERAMA BRYTE®.

Limpeza de uso normal diario

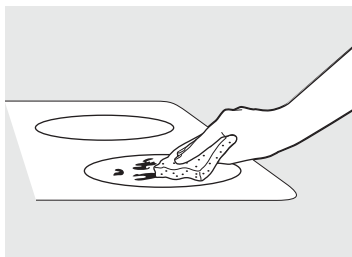
Use limpiador de estufas de cerámica CERAMA BRYTE® en su estufa de vidrio.

Para mantener y proteger la superficie de su estufa de vidrio, siga estas instrucciones:

- 1 Antes de usar la estufa por primera vez, límpiela con limpiador de estufas de cerámica CERAMA BRYTE®. Esto ayuda a proteger la parte superior y hace que la limpieza sea más fácil.
- 2 El uso diario del limpiador de estufas de cerámica CERAMA BRYTE® ayudará a mantener la estufa luciendo como nueva.

- 3 Remueva la crema de limpieza bien. Aplique unas gotas de limpiador de estufas de cerámica CERAMA BRYTE® directamente sobre la estufa.
- 4 Use una toalla de papel o una almohadilla de limpiar estufas de cerámica CERAMA BRYTE® para limpiar la superficie entera de la estufa.
- 5 Use un trapo seco o una toalla de papel para remover los residuos de la limpieza. No necesita enjuagar.

NOTA: Es muy importante que usted **NO CALIENTE** la estufa hasta que la haya limpiado completamente.



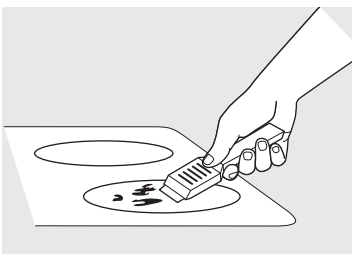
Use una almohadilla de limpiar estufas de cerámica CERAMA BRYTE® o una almohadilla de restregar azul suave multipropósitos Scotch-Brite®.

Residuo quemado encima de la superficie

ADVERTENCIA: DA—O a su superficie de vidrio podría ocurrir si usted usa almohadillas para restregar que no sean las incluidas con su estufa.

- 1 Permita que la estufa se enfríe.
- 2 Riegue algunas gotas del limpiador de estufas de cerámica CERAMA BRYTE® en el área entera donde se encuentra el residuo quemado.
- 3 Usando la almohadilla de limpiar estufas de cerámica CERAMA BRYTE® incluida, restriegue el área de residuo, aplicando presión donde sea necesario.

- 4 Si cualquier residuo permanece, repita los pasos enumerados anteriormente según sea necesario.
- 5 Para protección adicional, después de que todo el residuo haya sido removido, pula la superficie entera con la crema limpiadora de estufas de cerámica CERAMA BRYTE® y con una toalla de papel.



El raspador de estufas de cerámica CERAMA BRYTE® y todos los accesorios recomendados están disponibles a través de nuestro Centro de partes. Ver las instrucciones bajo la sección "Para ordenar partes" en la próxima página.

NOTA: No use una navaja bota o mellada.

Residuo quemado pesado encima de la superficie

- 1 Permita que la estufa se enfríe.
- 2 Use un raspador de navaja única a aproximadamente un ángulo de 45° contra la superficie de vidrio y raspe el sucio. Será necesario aplicar presión al raspador para remover el residuo.
- 3 Después de raspar con el raspador, aplique algunas gotas de limpiador de estufas de cerámica CERAMA BRYTE® en el área entera del residuo quemado. Use la almohadilla de limpiar estufas de cerámica CERAMA BRYTE® para remover los residuos restantes.

- 4 Para protección adicional, después de que todo el residuo haya sido removido, pula la superficie entera con el limpiador de estufas de cerámica CERAMA BRYTE® y con una toalla de papel.

Marcas metálicas y rasguñaduras

- 1 Tenga cuidado de no deslizar ollas o sartenes a través de su estufa. Ellas dejarán marcas sobre la superficie de su estufa.
Estas marcas son removibles usando el limpiador de estufas de cerámica CERAMA BRYTE® con la almohadilla de limpiar estufas de cerámica CERAMA BRYTE®.
- 2 Si permite que ollas con cubiertas finas de aluminio o de cobre hiervan en seco, la cubierta podría dejar decoloraciones negras sobre la estufa.

Estas deberían removerse inmediatamente antes de calentar la estufa de nuevo o la decoloración se convertirá en decoloraciones permanentes.

ADVERTENCIA: Con mucho cuidado inspeccione el fondo de las sartenes en búsqueda de protuberancias que puedan rasguñar la estufa.

Superficie de vidrio—potencial de daño permanente.

Nuestras pruebas muestran que si usted está cocinando con mezclas de alta concentración de azúcar, tales como jalea o caramelo y ocurre un derrame, puede causar daño permanente a la superficie de vidrio de la estufa a no ser que sea removida inmediatamente.

Daño de derrames de azúcar y plástico derretido

- 1 Apague todas las unidades de superficie. Remueva las sartenes calientes.
- 2 Usando un guante de hornos:
 - a. Use un raspador de navaja única (Raspador de estufas de cerámica CERAMA BRYTE®) para remover el derrame a un área fría en la estufa.
 - b. Remueva el derrame con toallas de papel.
- 3 Cualquier resto del derrame debe dejarse hasta que la estufa se haya enfriado.
- 4 No use las unidades de superficie de nuevo hasta que todos los residuos hayan sido completamente removidos.

NOTA: Si ya han ocurrido hendiduras o indentaciones en la superficie de vidrio, el vidrio de la estufa tendrá que ser reemplazado. En este caso, será necesario darle servicio a la estufa.

Para ordenar partes

Para ordenar el limpiador de estufas de cerámica CERAMA BRYTE® y el raspador para estufas, por favor llámenos gratuitamente al número:

Centro de partes nacional 800.626.2002

El limpiador de
estufas de cerámica
CERAMA BRYTE® # WX10X300

Raspador de estufas
de cerámica
CERAMA BRYTE® # WX10X0302

Kit # WB64X5027
(El Kit incluye la crema y el raspador)

Almohadilla de limpiar estufas de cerámica
CERAMA BRYTE® # WX10X350

Instrucciones de instalación

Estufa eléctrica de 30"

JP256

? "Si tiene alguna pregunta, llame al 800.GE.CARES o visite nuestro sitio Web en: GEAppliance.com"

ANTES DE COMENZAR

Lea estas instrucciones por completo y con cuidado.

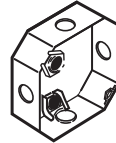
- **IMPORTANTE** – Conserve estas instrucciones para el uso del inspector local.
- **IMPORTANTE** – Cumpla con todos los códigos y reglas aplicables.
- **Nota para el instalador** – Asegúrese de dejar estas instrucciones en poder del consumidor.
- **Nota para el consumidor** – Conserve estas instrucciones para referencias futuras.
- El mal funcionamiento del producto debido a una instalación incorrecta no está cubierto por la Garantía.

⚠ ADVERTENCIA – Este aparato debe descargarse a tierra correctamente.

• **ATENCIÓN INSTALADOR** – TODAS LAS ESTUFAS DEBEN CONTAR CON CABLEADO (CABLEADO DIRECTO) A UNA CAJA DE EMPALMES APROBADA. ESTOS PRODUCTOS NO ACEPTAN ENCHUFES Y RECEPTÁCULOS.

- La instalación correcta es responsabilidad del instalador, y el mal funcionamiento del producto debido a una instalación inadecuada NO está cubierto bajo la garantía.

NECESITARÁ LOS SIGUIENTES MATERIALES



Caja de empalmes



Tuercas para cables

NECESITARÁ LAS SIGUIENTES HERRAMIENTAS



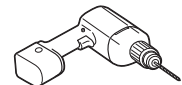
Lápiz



Sierra



Destornillador Phillips



Broca perforadora de 1/8" y taladro eléctrico o manual



Llave para tuercas de 1/4"

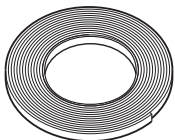


Regla o regla para nivelar

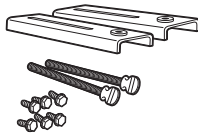


Gafas de seguridad

PARTES INCLUIDAS



Cinta de espuma



2 abrazaderas inferiores
6 tornillos de cabeza hexagonal
(4 necesarios, 2 adicionales)
2 tornillos de ajuste manual

Instrucciones de instalación

INSTRUCCIONES DE SEGURIDAD IMPORTANTES

PARA SU SEGURIDAD

- Para su seguridad personal, retire los fusibles de su hogar o bien abra el cortacircuitos antes de comenzar con la instalación. El no hacerlo puede resultar en lesiones serias o incluso la muerte.
- Asegúrese que su estufa sea instalada correctamente por un instalador o técnico de servicio calificado.
- Para eliminar el riesgo de quemaduras o incendio debido al contacto con los elementos de superficie calentados, debe evitarse el almacenaje en los gabinetes ubicados sobre los elementos de superficie. Si se cuenta con espacio en un gabinete, puede reducir el riesgo instalando una campana que se proyecte horizontalmente un mínimo de 5" más del fondo de los gabinetes. La instalación de gabinetes sobre la estufa no debe exceder 13" de profundidad.
- Asegúrese que los gabinetes y las cubiertas de las paredes alrededor de la estufa puedan soportar las temperaturas generadas por la estufa (hasta 200 °F).
- La estufa debe ser fácil de alcanzar y deberá contar con iluminación natural durante el día.
- Siempre desconecte la toma eléctrica que va hacia la estufa antes de reparar o dar servicio a la estufa. Esto puede hacerse desconectando el fusible o cortacircuitos. No hacer esto puede resultar en un shock eléctrico peligroso o fatal. Sepa en dónde se localiza el interruptor principal de desconexión. Si no lo sabe, pídale a su electricista que le muestre la ubicación.

REQUISITOS ELÉCTRICOS

Este aparato debe contar con el voltaje y frecuencia adecuados, y deberá conectarse a un circuito derivado individual debidamente descargado a tierra, protegido por un cortacircuitos o un fusible temporizado como lo indica la placa.

Le recomendamos que un electricista calificado conecte el cableado eléctrico y conexión de su estufa. Después de la instalación, pídale al electricista que le muestre en dónde se localiza el interruptor principal de desconexión de su estufa.

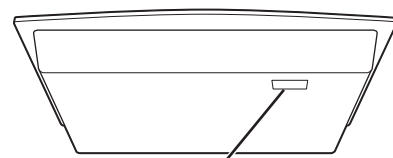
El cableado debe cumplir con el Código Nacional sobre Electricidad. Puede obtener una copia del Código Nacional sobre Electricidad, ANSI/NFPA No. 70-Última edición, escribiendo a:

Asociación Nacional
para la Prevención de Incendios
Batterymarch Park
Quincy, MA 02269

El cableado conductor de la estufa está aprobado para conexiones únicamente con cables de cobre, y si cuenta con cableado de aluminio, debe usar conectores especiales aprobados por UL para unir cobre con aluminio.

Debe usar un sistema eléctrico con conductor de dos cables y tres conductores 208/240 VCA, de 60 Hertz. No se requiere un cable blanco (neutral) para esta unidad. La estufa debe instalarse en un circuito que no exceda 125 VCA nominales de descarga a tierra.

Consulte el rótulo sobre su estufa para conocer la clasificación en kilovatios de su estufa.



Ubicación del rótulo

Instrucciones de instalación

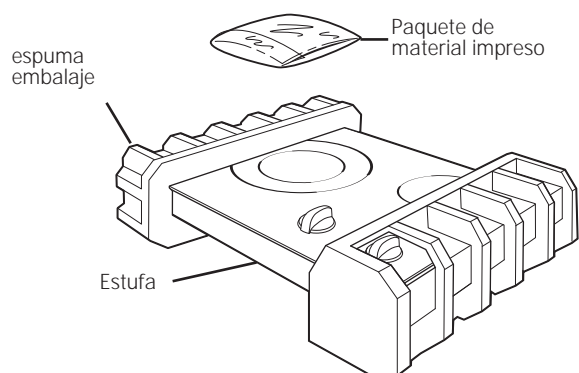
LISTA DE VERIFICACIÓN PREVIA A LA INSTALACIÓN

⚠ ADVERTENCIA –

La corriente eléctrica a la tubería de abastecimiento de la estufa debe cortarse durante la realización de conexiones. El no hacerlo puede resultar en una lesión seria o la muerte.

A Cuando se prepare para la abertura de la estufa, asegúrese que el interior del gabinete y la estufa no interfieran uno con el otro. (Consulte la sección de preparación de la abertura).

B Retire los materiales de empaque y el material impreso de la estufa antes de comenzar la instalación.



C Saque las instrucciones de instalación del paquete de material impreso y léalas cuidadosamente antes de comenzar.

Asegúrese de colocar todo el material impreso, Manual de propietario, Instalaciones, etc., en un lugar seguro para referencia futura.



D Asegúrese de contar con todas las herramientas y materiales que necesita antes de comenzar la instalación de la estufa.

E Su hogar debe contar con el servicio eléctrico adecuado para el uso seguro y correcto de su estufa. (Consulte la sección de requisitos eléctricos).

F Cuando instale la estufa en su hogar, asegúrese de cumplir todos los códigos y reglas locales tal y como se establecen.

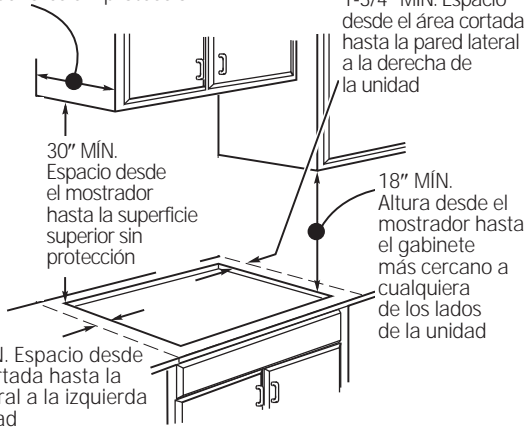
G Asegúrese de que las cubiertas de las paredes, el mostrador y los gabinetes alrededor de la estufa puedan soportar las temperaturas generadas por la estufa (hasta 200 °F).

Instrucciones de instalación

PREPARACIÓN DE LA ABERTURA

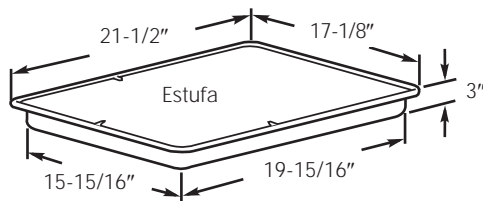
- 1** Deben seguirse las siguientes dimensiones MÍNIMAS de espacio libre.

13" MÁX. Profundidad de los gabinetes superiores sin protección

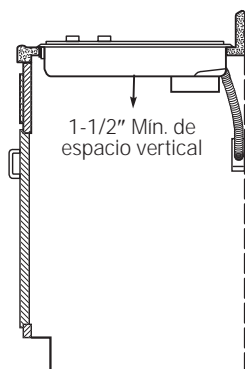


Si no puede mantenerse un espacio de 30" entre la superficie de cocción y los materiales superiores inflamables o gabinetes metálicos, se requiere un espacio mínimo de 24", así como que el lado inferior de los gabinetes encima de la estufa estén protegidos con no menos de 1/4" de cartón gris aislante cubierto con láminas metálicas de no menos de 0.0122" de grosor.

- 2** DIMENSIONES GENERALES DE LA ESTUFA



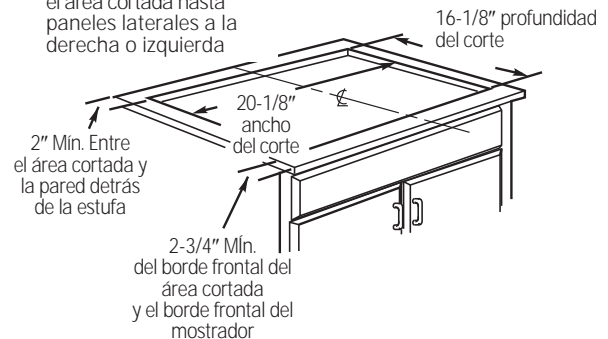
- 3** Espacio vertical mínimo de uno pulgada y media (1-1/2") entre la parte inferior de la estufa y cualquier tipo de superficie inflamable.



- 4** INSTALACIONES OPCIONALES DIMENSIONES Y SEPARACIONES

Para garantizar la precisión, es mejor crear una plantilla al momento de cortar la abertura en el mostrador.

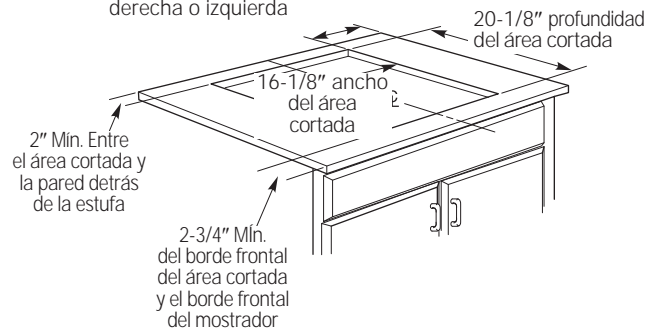
1-3/4" MÍN. Espacio desde el área cortada hasta paneles laterales a la derecha o izquierda



INSTALACIÓN HORIZONTAL CON CONTROLES EN LA PARTE DELANTERA

En esta instalación, la estufa debe instalarse con las perillas de control orientadas hacia el borde frontal.

1-3/4" MÍN. Espacio desde el área cortada hasta paneles laterales a la derecha o izquierda



LA INSTALACIÓN VERTICAL DEBE ORIENTARSE CON LOS CONTROLES EN EL LADO IZQUIERDO

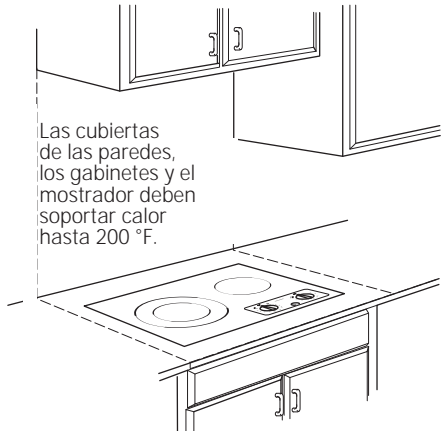
Para eliminar el riesgo de quemaduras debido al contacto con una superficie sobrecalentada, la estufa debe instalarse con los controles en el lado izquierdo.

En esta instalación, los mostradores deben tener al menos 25" de profundidad. Respete todas las distancias mínimas en la parte delantera, la parte posterior y los laterales.

PREPARACIÓN DE LA ABERTURA (cont.)

4 INSTALACIONES OPCIONALES DIMENSIONES Y SEPARACIONES (cont.)

Asegúrese que las cubiertas de las paredes, el mostrador y los gabinetes alrededor de la estufa puedan soportar las temperaturas generadas por la estufa (hasta 200 °F).

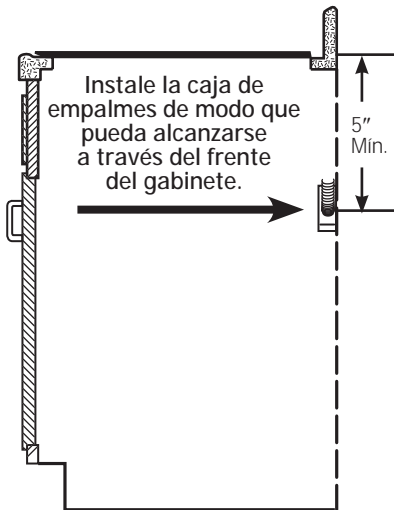


Instrucciones de instalación

INSTALACIÓN DE LA ESTUFA

1 INSTALACIÓN DE LA CAJA DE EMPALMES DE EMPALMES

Instale una caja de empalmes aprobada en un lugar de fácil acceso a través del frente del gabinete en donde pueda colocarse la estufa. El conducto de la estufa tiene 58" de longitud.

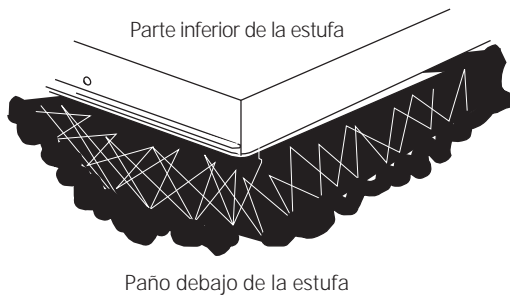


⚠ IMPORTANTE:

La caja de empalmes debe localizarse en donde el conducto esté lo suficientemente flojo para permitir que se le dé servicio.

2 PROTECCIÓN DE LA SUPERFICIE DE LA ESTUFA

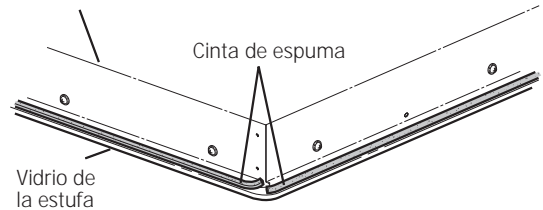
Coloque una toalla o mantel sobre el mostrador. Coloque la estufa al revés sobre el área protegida.



3 APLIQUE LA CINTA DE ESPUMA

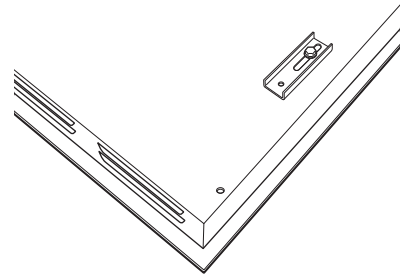
Aplique la cinta de espuma alrededor del borde externo del vidrio. **No aplique un exceso de cinta de espuma.**

Parte inferior de la estufa



4 LOCALICE LAS PARTES DE MONTAJE

Comience a instalar un tornillo a través de la abrazadera y dentro de la estufa (ambos lados). No ajuste. Gire la abrazadera hacia adentro para evitar interferencia cuando descienda la estufa sobre el mostrador.

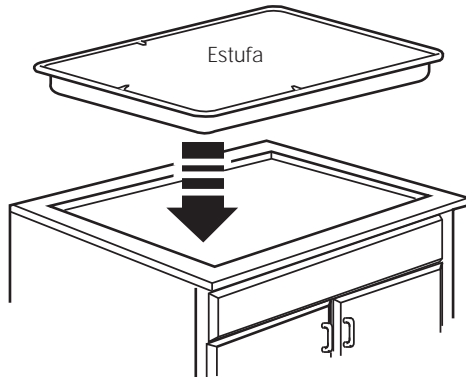


Instrucciones de instalación

INSTALACIÓN DE LA ESTUFA (CONT.)

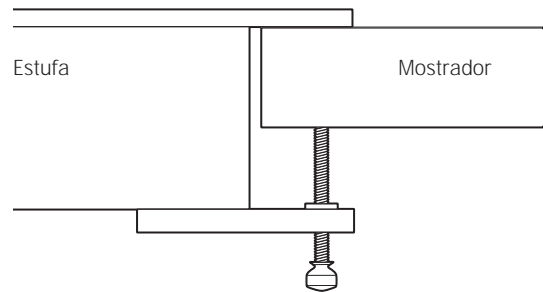
5 INSERTE LA ESTUFA EN EL ÁREA CORTADA

Inserte la estufa centrada en el área cortada. Asegúrese de que el borde frontal del mostrador esté paralelo con respecto a la estufa. Asegúrese de verificar al final que todos los espacios especificados hayan sido respetados.



6 SUJETE LAS ABRAZADERAS DE MONTAJE AL GABINETE

Abra la puerta del gabinete. Instale el segundo tornillo a través de la abrazadera y ajuste. Luego ajuste el primer tornillo. Instale el tornillo de ajuste hasta que toque la parte inferior del mostrador.

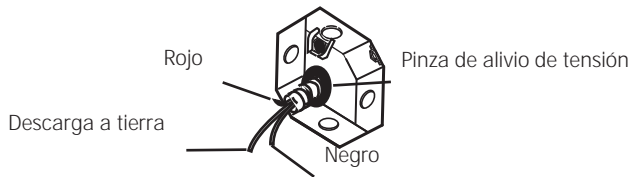


IMPORTANTE: gire el tornillo de ajuste hasta que toque la parte inferior del mostrador. No lo ajuste demasiado.

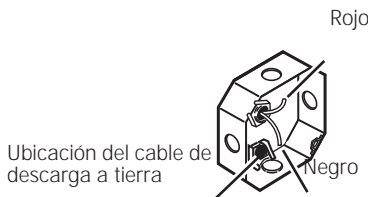
Instrucciones de instalación

INSTALACIÓN—CONEXIONES ELÉCTRICAS

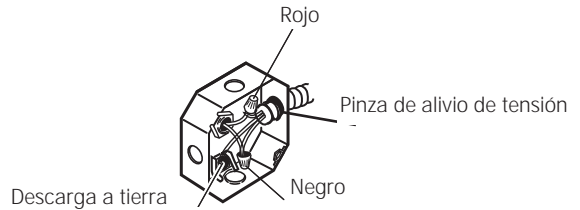
- A** Cuando realice las conexiones de cables, utilice toda la extensión del conducto incluido. **El conducto no debe reducirse.**
- B** Con la estufa colocada en su lugar, abra el frente de la puerta del gabinete.
- C** Inserte los cables del conducto a través de la abertura de la caja de empalmes.



- D** Conecte los cables rojo y negro del conductor de la estufa a los cables correspondientes en la caja de empalmes.



- E** Una vez que se hayan realizado las conexiones, fije los cables con las tuercas para cables.



INSTRUCCIONES PARA

DESCARGA A TIERRA:

El cable pelado de descarga a tierra en el conducto se conecta al armazón de la estufa. A partir del 1 de enero de 1996, el Código Nacional sobre Electricidad no permitirá la descarga a tierra a través de cables neutrales. Si se usa en una construcción nueva después del 1 de enero de 1996 o bien en una casa rodante, vehículo recreativo, o bien si los códigos locales no permiten la descarga a tierra a través de cables blancos neutrales, sujete el cable de descarga a tierra del aparato (verde o cobre) al conductor de descarga a tierra de la residencia (verde o cobre) de acuerdo con los códigos locales. Cuando conecte a un circuito derivado de 3 conductores, si lo permiten los códigos locales, conecte el cable del conector de descarga a tierra al circuito derivado neutral (de color gris o blanco).

⚠ IMPORTANTE: Si la estufa se va a instalar en un mostrador sin salida (uno sin abertura del gabinete inferior), las conexiones del cableado deberán realizarse antes de colocar la estufa en el área cortada.

Instrucciones de instalación

LISTAS DE VERIFICACIÓN

1 LISTA DE VERIFICACIÓN PREVIA

- A** Retire toda la película protectora, si la hay, y las calcomanías.
- B** Verifique que todos los cables estén fijos y que no estén torcidos o en contacto con partes móviles.
- C** Verifique el nivel del aparato.
- D** Verifique que la estufa esté descargada a tierra correctamente.

2 LISTA DE VERIFICACIÓN DE OPERACIÓN

- A** Retire todos los objetos que se encuentren sobre la superficie de la estufa.
- B** Encienda la toma de corriente de la estufa. Verifique que todas las hornillas de la superficie funcionen correctamente.
- C** Verifique que el cortacircuitos no esté desactivado o que se haya fundido el fusible de su hogar.
- D** Verifique que el conducto esté conectado correctamente a la caja de empalmes.
- E** Consulte la lista de resolución de problemas.

NOTA PARA EL ELECTRICISTA:

Los cables de corriente incluidos con este aparato cuentan con la aprobación de UL para conexiones a cableado doméstico de mayor calibre. El aislante de estos cables se califica a temperaturas más elevadas que las del cableado doméstico. La capacidad de carga actual de un conductor depende del calibre del cable y también de la calificación de la temperatura del aislante alrededor del cable.

NOTA: CABLEADO DE ALUMINIO

• ADVERTENCIA:

LA CONEXIÓN INADECUADA DEL CABLEADO DOMÉSTICO DE ALUMINIO A LOS CABLES DE COBRE PUEDE RESULTAR EN UN PROBLEMA GRAVE.

- Una los cables de cobre a los de aluminio con conectores especiales diseñados y aprobados por UL para unir cables de cobre a cables de aluminio; asimismo, siga cuidadosamente las recomendaciones del fabricante al manipular el conector.

NOTA: El uso de los cables, la ubicación y alojamiento de empalmes, etc., deben realizarse correctamente y de acuerdo con los códigos locales.



Ideas sobre la identificación y solución de problemas
¡Ahorre tiempo y dinero! Revise esta tabla primero y es posible
que no necesite llamarnos en busca de servicio.

Problema	Causas posibles	Qué hacer
Los elementos de superficie se mantienen hirviendo o la cocción es lenta	Está empleando los utensilios inadecuados.	<ul style="list-style-type: none"> Use cacerolas que sean absolutamente planas y que correspondan al diámetro del elemento de superficie seleccionado.
Los elementos de superficie no funcionan apropiadamente	Un fusible en su casa podría haberse volado o el interruptor de circuito se aterrizó.	<ul style="list-style-type: none"> Reemplace el fusible o reajuste el interruptor de circuitos.
	Los controles de la estufa están colocados inapropiadamente.	<ul style="list-style-type: none"> Inspeccione que el control correcto haya sido seleccionado para el elemento de superficie que usted seleccionó.
Rasguños diminutos o marcas de metal o abrasiones sobre la superficie de vidrio de la estufa radiante	Métodos de limpieza incorrectos siendo usados.	<ul style="list-style-type: none"> Use los procedimientos de limpieza recomendados.
	Utensilios con fondos rugosos están siendo usadas o hubo partículas gruesas (sal o arena) entre los utensilios y la superficie de la estufa. Se han deslizado utensilios sobre la superficie de la estufa.	<ul style="list-style-type: none"> Cerciórese de que los fondos de los utensilios y que los utensilios mismos estén limpios antes de usarlos. Use utensilios con fondos lisos. No pueden eliminarse los raspones pequeños, pero serán menos visibles con el tiempo como resultado de la limpieza.
Áreas de decoloración o rayas oscuras en la estufa	Está empleando los utensilios inadecuados.	<ul style="list-style-type: none"> Pueden eliminarse las marcas de cacerolas de aluminio y cobre, así como los depósitos minerales de agua, con la crema limpiadora.
	Superficie caliente en un modelo con cubierta de vidrio de color claro.	<ul style="list-style-type: none"> Esto es normal. La superficie podría parecer decolorada cuando está caliente. Esto es temporal y desaparecerán conforme el vidrio se enfría.
	No se limpiaron los derrames de alimentos antes del siguiente uso.	<ul style="list-style-type: none"> Consulte la sección <i>Cómo limpiar la cubierta de vidrio de la estufa</i>.
	Se están empleando los métodos de limpieza incorrectos.	<ul style="list-style-type: none"> Use los procedimientos de limpieza recomendados.
Plástico fundido sobre la superficie	La estufa caliente entró en contacto con plástico colocado sobre ésta.	<ul style="list-style-type: none"> Consulte la sección <i>Superficie de vidrio—potencial de daño permanente</i> en la sección <i>Cómo limpiar la cubierta de vidrio de la estufa</i>.
Agujeros (o hendiduras) en la superficie de la estufa	Derrame de una mezcla azucarada caliente sobre la estufa.	<ul style="list-style-type: none"> Llame a un técnico calificado para que realice un reemplazo.
Ciclos frecuentes de encendido y apagado de los elementos de superficie	Está empleando los utensilios inadecuados.	<ul style="list-style-type: none"> Para minimizar los ciclos, use únicamente utensilios z planos. Consulte la sección <i>Ciclos de encendido y apagado de los elementos de superficie</i>.
La perilla de control no gira	Los controles de la estufa están mal ajustados.	<ul style="list-style-type: none"> Cuando la perilla se encuentre en la posición apagado (<i>Off</i>), deberá presionar antes de poder girarla. Cuando la perilla esté en otra posición, puede girarse sin necesidad de presionarla.

Garantía de GE para su estufa eléctrica.



Todos los servicios de garantía los proporcionan nuestros Centros de Reparación de Fábrica o nuestros técnicos Customer Care® autorizados. Para concertar una cita de reparación, en línea, 24 horas al día, visítenos en GEAppliance.com, o llame al 800.GE.CARES (800.432.2737). Cuando llame para solicitar servicio, por favor tenga a mano el número de serie y el número de modelo.

Pegue aquí su recibo. Se requiere facilitar prueba de la fecha de compra original para obtener un servicio bajo la garantía.

Por el período de:	GE reemplazará:
Un año A partir de la fecha original	Cualquier parte de la estufa que falle debido a un defecto en los materiales o mano de obra. Durante esta garantía limitada de un año , GE también ofrecerá, sin costo alguno , toda la de compra mano de obra y servicio interno para reemplazar las partes defectuosas.

Lo que no está cubierto por GE:

- Viajes de servicio a su hogar para enseñarle cómo usar el producto.
- Instalación, entrega o mantenimiento incorrectos.
- Fallas del producto si hay abuso, mal uso, o uso para otros propósitos que los propuestos, o uso para fines comerciales.
- Daño a la estufa de vidrio causado por el uso de limpiadores diferentes a las cremas y almohadillas recomendadas.
- Daño a la estufa de vidrio causado por derrames endurecidos de materiales azucarados o por plástico derretido que no sean limpiados conforme a las direcciones en el Manual del propietario.
- Reemplazo de fusibles de su hogar o reajuste de interruptores de circuito.
- Daño al producto causado por accidente, fuego, inundaciones o actos de Dios.
- Daño incidental o consecuencial causado por posibles defectos con el aparato.
- Daños causados después de la entrega.
- Producto no accesible para facilitar el servicio requerido.

EXCLUSIÓN DE GARANTÍAS IMPLÍCITAS—Su único y exclusivo derecho es la reparación del producto, tal y como se indica en esta Garantía limitada. Cualquier garantía implícita, incluyendo las garantías implícitas de comerciabilidad o adecuación para un fin determinado, están limitadas a un año o el período de tiempo más breve permitido por la ley.

Esta garantía se extiende al comprador original y cualquier comprador posterior de productos comprados para uso residencial dentro des Estados Unidos. Si el producto está situado en un área que no dispone de servicio por parte de un proveedor de servicio autorizado de GE, podría tener que hacerse cargo de los costes de envío o bien podría solicitársele que lleve el producto a una centro de servicio de GE autorizado para realizar la reparación. En Alaska, la garantía excluye el costo de envío o las visitas de servicio a su casa.

Algunos estados no permiten la exclusión o las limitaciones de daños incidentales o consecuenciales. Esta garantía da derechos legales específicos, y usted podría tener otros derechos que variarán de estado a estado. Para saber cuáles son sus derechos legales, consulte a la oficina de asuntos del consumidor local o la oficina del Procurador (Attorney General) en su localidad.

Garante: General Electric Company. Louisville, KY 40225

Soporte al consumidor.



Página Web de GE Appliances

GEAppliance.com

¿Tiene alguna pregunta sobre su electrodoméstico? ¡Pruebe la página Web de GE Appliances 24 horas al día, cualquier día del año! Para mayor conveniencia y servicio más rápido, ya puede descargar los Manuales de los Propietarios, pedir piezas o incluso hacer una cita en línea para que vengan a realizar una reparación.



Solicite una reparación

GEAppliance.com

El servicio de expertos GE está a tan sólo un paso de su puerta. ¡Entre en línea y solicite su reparación cuando le venga bien 24 horas al día cualquier día del año! O llame al 800.GE.CARES (800.432.2737) durante horas normales de oficina.



Real Life Design Studio (Estudio de diseño para la vida real) *GEAppliance.com*

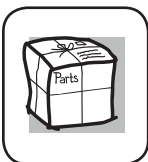
GE apoya el concepto de Diseño Universal—productos, servicios y ambientes que pueden usar gente de todas las edades, tamaños y capacidades. Reconocemos la necesidad de diseñar para una gran gama de habilidades y dificultades físicas y mentales. Para más detalles sobre las aplicaciones de GE Diseño Universal, incluyendo ideas de diseño para la cocina para personas con discapacidades, mire nuestra página Web hoy mismo. Para personas con dificultades auditivas, favor de llamar al 800.TDD.GEAC (800.833.4322).



Garantías ampliadas

GEAppliance.com

Compre una garantía ampliada y obtenga detalles sobre descuentos especiales disponibles mientras su garantía está aún activa. Puede comprarla en línea en cualquier momento, o llamar al (800.626.2224) durante horas normales de oficina. GE Consumer Home Services estará aún ahí cuando su garantía termine.



Piezas y accesorios

GEAppliance.com

Aquellos individuos con la calificación necesaria para reparar sus propios electrodomésticos pueden pedir que se les manden las piezas o accesorios directamente a sus hogares (aceptamos las tarjetas VISA, MasterCard y Discover). Haga su pedido en línea hoy, 24 horas cada día o llamar por teléfono al 800.626.2002 durante horas normales de oficina.

Las instrucciones descritas en este manual cubren los procedimientos a seguir por cualquier usuario. Cualquier otra reparación debería, por regla general, referirse a personal calificado autorizado. Debe ejercerse precaución ya que las reparaciones incorrectas pueden causar condiciones de funcionamiento inseguras.



Póngase en contacto con nosotros

GEAppliance.com

Si no está satisfecho con el servicio que recibe de GE, póngase en contacto con nosotros en nuestra página Web indicando todos los detalles así como su número de teléfono o escribanos a:

General Manager, Customer Relations
GE Appliances, Appliance Park
Louisville, KY 40225



Registre su electrodoméstico

GEAppliance.com

¡Registre su nuevo electrodoméstico en línea—cuando usted prefiera! El registrar su producto a tiempo le proporcionará, si surgiera la necesidad, una mejor comunicación y un servicio más rápido bajo los términos de su garantía. También puede enviar su tarjeta de registro pre-impresa que se incluye en el material de embalaje.

Consumer Support.



GE Appliances Website

In the U.S.: ***GEAppliance.com***

Have a question or need assistance with your appliance? Try the GE Appliances Website 24 hours a day, any day of the year! For greater convenience and faster service, you can now download Owner's Manuals, order parts or even schedule service on-line. **In Canada: www.GEAppliances.ca**



Schedule Service

In the U.S.: ***GEAppliance.com***

Expert GE repair service is only one step away from your door. Get on-line and schedule your service at your convenience 24 hours any day of the year! Or call 800.GE.CARES (800.432.2737) during normal business hours. **In Canada, call 1.800.561.3344**



Real Life Design Studio

In the U.S.: ***GEAppliance.com***

GE supports the Universal Design concept—products, services and environments that can be used by people of all ages, sizes and capabilities. We recognize the need to design for a wide range of physical and mental abilities and impairments. For details of GE's Universal Design applications, including kitchen design ideas for people with disabilities, check out our Website today. For the hearing impaired, please call 800.TDD.GEAC (800.833.4322).

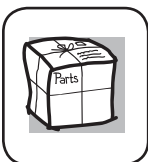
In Canada, contact: Manager, Consumer Relations, Mabe Canada Inc.
Suite 310, 1 Factory Lane
Moncton, N.B. E1C 9M3



Extended Warranties

In the U.S.: ***GEAppliance.com***

Purchase a GE extended warranty and learn about special discounts that are available while your warranty is still in effect. You can purchase it on-line anytime, or call 800.626.2224 during normal business hours. GE Consumer Home Services will still be there after your warranty expires. **In Canada, call 1.800.561.3344**



Parts and Accessories

In the U.S.: ***GEAppliance.com***

Individuals qualified to service their own appliances can have parts or accessories sent directly to their homes (VISA, MasterCard and Discover cards are accepted). Order on-line today, 24 hours every day or by phone at 800.626.2002 during normal business hours.

Instructions contained in this manual cover procedures to be performed by any user. Other servicing generally should be referred to qualified service personnel. Caution must be exercised, since improper servicing may cause unsafe operation.

Customers **in Canada** should consult the yellow pages for the nearest Mabe service center, or call 1.800.561.3344.



Contact Us

In the U.S.: ***GEAppliance.com***

If you are not satisfied with the service you receive from GE, contact us on our Website with all the details including your phone number, or write to: General Manager, Customer Relations
GE Appliances, Appliance Park
Louisville, KY 40225

In Canada: www.GEAppliances.ca, or write to: Director, Consumer Relations, Mabe Canada Inc.
Suite 310, 1 Factory Lane
Moncton, N.B. E1C 9M3



Register Your Appliance

In the U.S.: ***GEAppliance.com***

Register your new appliance on-line—at your convenience! Timely product registration will allow for enhanced communication and prompt service under the terms of your warranty, should the need arise. You may also mail in the pre-printed registration card included in the packing material. **In Canada: www.GEAppliances.ca**