

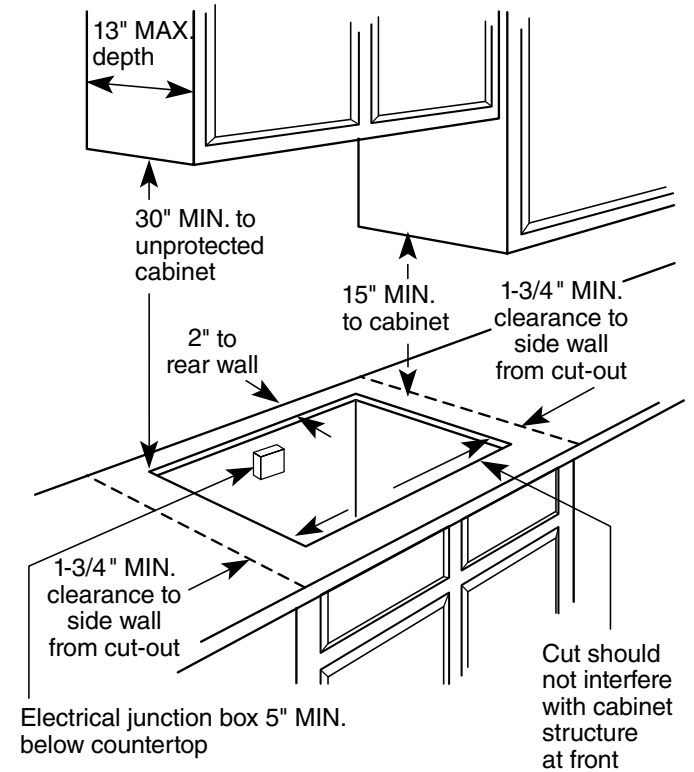
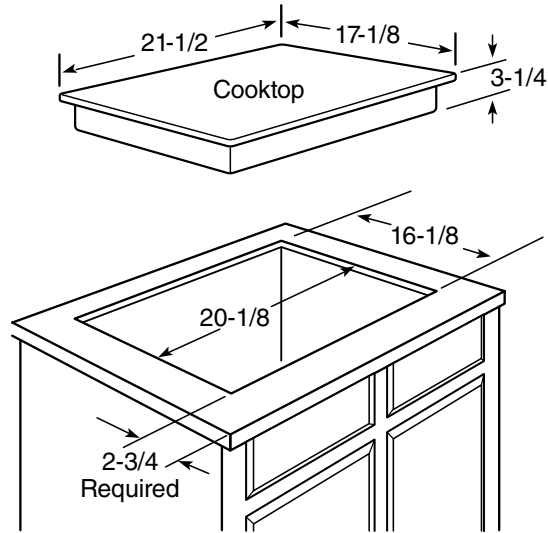
JP256BM/WM GE® 21" Electric Radiant Cooktop

Dimensions and Specifications (in inches)

KW Rating	
240V	3.7
208V	3.2

Note: Built-In Electric Cooktops require 1-1/2" free area between the bottom of the cooktop and any combustible material, i.e., shelving. Requires an 18" minimum from cooktop to adjacent overhead cabinets. Units are furnished with a 48" flexible armored cable.

Installation Information: Before installing, consult installation instructions [Pub. No. 31-0978] packed with product for current dimensional data.



For answers to your Monogram®, GE Profile™ or GE® appliance questions, visit our website at ge.com or call GE Answer Center® service, 800.626.2000.



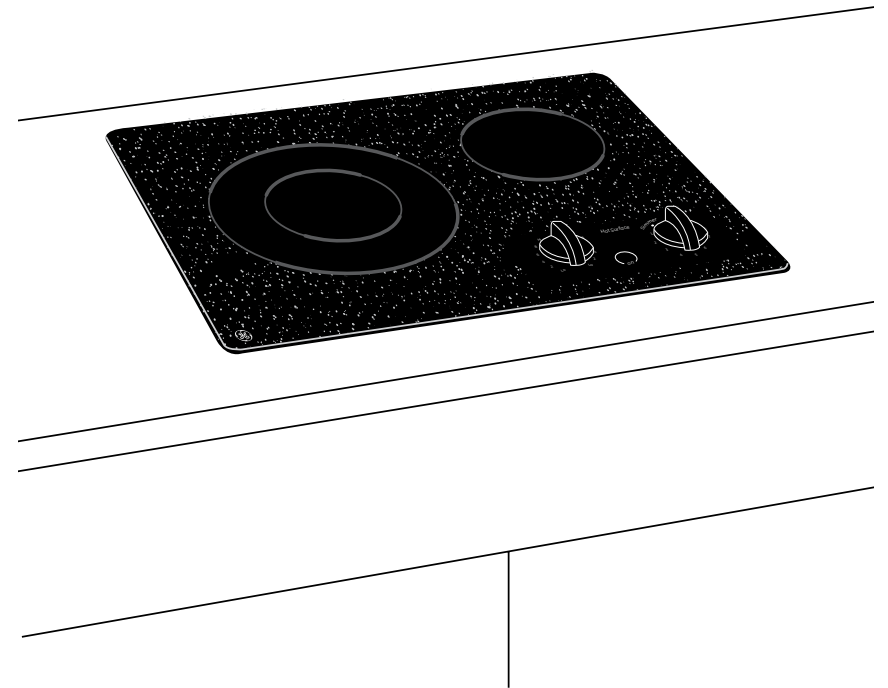
imagination at work

JP256BM/WM

GE® 21" Electric Radiant Cooktop

Features and Benefits

- Compact Cooktop - Smaller cooktop is ideal for 21" cooktop installations
- Ceramic Glass Cooktop - A smooth cooktop surface makes cleaning quick and easy
- Ribbon Heating Elements - Provide powerful heat beneath a smooth glass surface to ensure even heat and fast warm-up times
- 6"/9" Dual Heating Element
- Simmer Option - Delivers the ideal 140 degree temperature for the gentle simmering of foods like soups or sauces
- Frameless Design - A smooth and seamless cooktop surface makes cleaning quick and easy
- Upfront Controls - Controls are placed within easy reach at the front center of the cooktop
- Hot Surface Indicator Lights - Illuminate when the cooking surface is active and hot, adding convenience and safe caution
- Heating Element "On" Light - Illuminates when the cooking surface is activated
- Model JP256BMBB - Black
- Model JP256WMWW - White



imagination at work