

Installation Instructions

27" & 30" Electric Built-In Wall Ovens

Questions? Call us at 1.800.432.2737 or visit GEAppliances.com.
In Canada, call 1.800.561.3344 or visit GEAppliances.ca.

BEFORE YOU BEGIN

Read these instructions completely and carefully.

- **IMPORTANT** — Save these instructions for local inspector's use.
- **IMPORTANT** — Observe all governing codes and ordinances.
- **Note to Installer** – Be sure to leave these instructions with Consumer.
- **Note to Consumer** – Keep these instructions for future reference.
- **Skill level** – Installation of this appliance requires a qualified installer or electrician.
- Proper installation is the responsibility of the installer.
- Product failure due to improper installation is not covered under Warranty.
- Product is for indoor use only.

ATTENTION INSTALLER: All electric wall ovens must be hard-wired (direct-wired) into an approved junction box. A plug and receptacle is NOT permitted on these products.

FOR YOUR SAFETY:

⚠ WARNING

Before beginning the installation, switch power off at the service panel and lock the service disconnecting means to prevent power from being switched on accidentally. When the service disconnecting means cannot be locked, securely fasten a prominent warning device, such as a tag, to the service panel.

Be sure the oven is securely installed in a cabinet that is firmly attached to the house structure. Weight on the oven door could cause the oven to tip and result in injury. Never allow anyone to climb, sit, stand or hang on the oven door.

Make sure the wall coverings, counters and cabinets around the oven can withstand the heat (up to 200°F [93.3°C]) generated by the oven.

MATERIALS YOU MAY NEED

Junction Box
Wire Nuts
Strain Relief Clamp for 1/2" Conduit
36" (91 cm) of String

TOOLS YOU MAY NEED

1/8" Drill Bit and Electric or Hand Drill
T20 Screwdriver
Phillips Screwdriver
Wire Strippers
7/16" Nut Driver (combination ovens)
1/4" Nut Driver (30" combination ovens)

1 REMOVE PACKAGING MATERIALS

Failure to remove packaging materials could result in damage to the appliance. Remove all packing parts from oven, racks and heating elements. Remove protective film and labels on the outer door and control panel. Also, remove plastic on trims and panel, all tape around the oven and any shipping screws securing the oven to the base pad. Open oven door and remove literature pack and oven racks. Remove the bottom trim from the top of the oven. It will be installed at the end of the installation process. The trim is wrapped separately and taped to the top of the unit. Remove pedestal rails from separate box and set aside (30" Double Wall Ovens Only). Consider recycling options for your appliance packaging material.

DESIGN INFORMATION

SINGLE OVEN INSTALLATIONS

The single oven may be installed in a cabinet alone or above a warming drawer. The single oven may also be installed side by side, below a countertop, or below specified cooktops. See the label on top of the oven for approved models.

DOUBLE AND COMBINATION OVEN INSTALLATIONS

A double or combination oven may be installed in a cabinet alone or above a warming drawer. See the label on top of the oven for approved models.

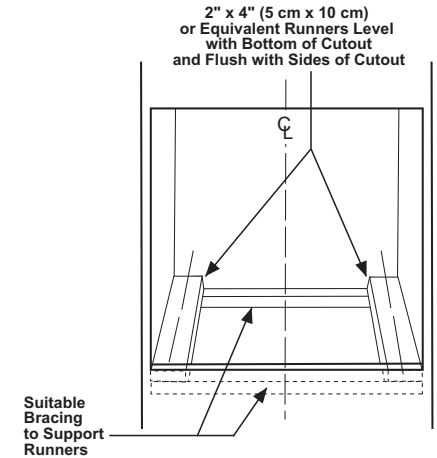
IMPORTANT: Always refer to individual installation instructions packed with each product for specific requirements.

2 PREPARE THE OPENING

NOTE: If the cabinet does not have a solid bottom, two braces or runners must be installed to support the weight of the oven. For single ovens, the runners and braces must support 220 lbs (99 kg). For double and combination ovens, the runners and braces must support 400 lbs. (181 kg).

NOTE: If marks, blemishes or the cutout opening are visible above the installed oven, it may be necessary to add wood shims under the runners until the marks or opening are covered.

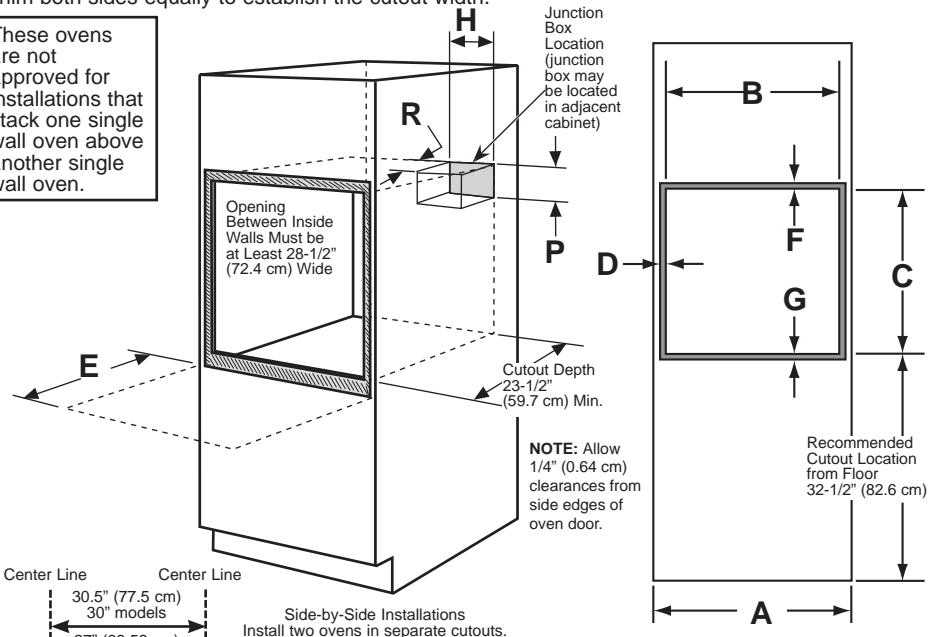
NOTE: If the cabinet does not have a front frame and the sides are less than 3/4" (1.9 cm) thick, shim both sides equally to establish the cutout width.



2 A CUTOUT FOR SINGLE OVENS IN WALL CABINET

NOTE: If the cabinet does not have a front frame and the sides are less than 3/4" (1.9 cm) thick, shim both sides equally to establish the cutout width.

These ovens are not approved for installations that stack one single wall oven above another single wall oven.



Cutout – observe all dimensions and requirements.

Cutout – observe all dimensions and requirements.

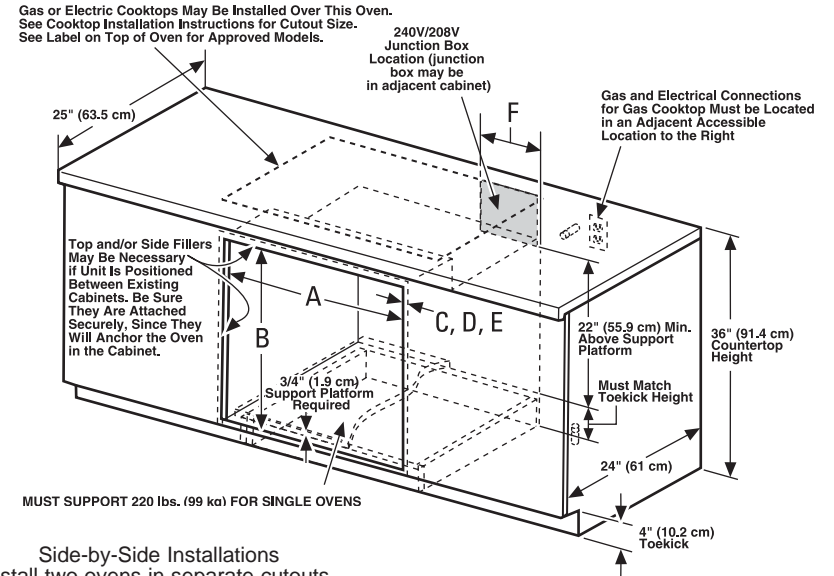
2" (5.1 cm) Min.

Dimension	Dimension Description	27" Single Oven	30" Single Oven
A	Cabinet Width	27" (68.6 cm)	30" (76.2 cm)
B	Cutout Width	25" (63.5 cm) min. 25 1/4" (64.1 cm) max.	28 1/2" (72.4 cm) min. 28 5/8" (72.7 cm) max.
C	Cutout Height	27 5/8" (70.2 cm) min. 28 1/8" (71.4 cm) max.	27 1/4" (69.2 cm) min. 27 5/16" (69.4 cm) max.
D	Clearance from cutout - side edges*	1" (2.5 cm)	1 1/16" (1.75 cm)
E	Clearance to Adjacent Corners, Drawers, Walls, etc., When Door Is Open	23" (50.8 cm) min.	23" (53.3 cm) min.
F	Clearance from cutout - top*	1" (2.5 cm) min.	1" (2.5 cm) min. (1 1/4" (3.2 cm) for PT9050, ZET1S and ZET1P)
G	Clearance from cutout - bottom*	1" (2.5 cm) min.	1 1/4" (3.2 cm)
H	Junction Box Location	8 3/4" (22.2 cm) max. right side only	9 1/2" (24.1 cm) max. right side only
P	Junction Box location	5-1/4" (13.34 cm) max.	5-1/4" (13.34 cm) max.
R	Junction Box location	2-1/2" (6.35 cm) max.	2-1/2" (6.35 cm) max.

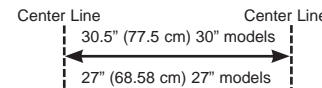
* Refers to minimum clearance required for wall oven installation and does not reflect actual product dimensions.

2 B CUTOUT FOR SINGLE OVENS – UNDER COUNTER

NOTE: These ovens are only approved to be installed under the specific models as labeled on the unit.



Side-by-Side Installations
Install two ovens in separate cutouts.

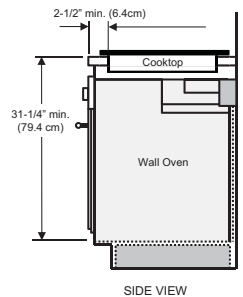


Cutout – observe all dimensions and requirements.

Cutout – observe all dimensions and requirements.

2" (5.1 cm) Min.

IMPORTANT: Maintain a minimum distance of 31-1/4" from the top surface of the countertop to the wall oven platform to ensure that the cooktop and wall oven do not interfere with each other (see picture).



NOTE: One cooktop may be centered over either oven in the side-by-side installation.

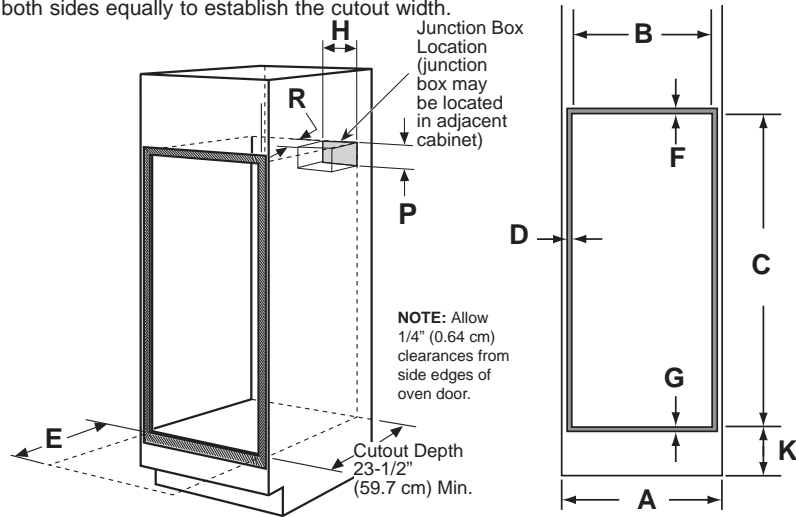
Dimension	Dimension Description	27" Single Oven	30" Single Oven
A	Cabinet Width	25" (63.5 cm) min. 25 1/4" (64.1 cm) max.	28 1/2" (72.4 cm) min. 28 5/8" (72.7 cm) max.
B	Cutout Height	27 5/8" (70.2 cm) min. 28 1/8" (71.4 cm) max.	27 1/4" (69.2 cm) min. 27 5/16" (69.4 cm) max.
C	Clearance from cutout - top*	1" (2.5 cm)	1" (2.5 cm) (1 1/4" (3.2 cm) for PT9050 ZET1S and ZET1P)
D	Clearance from cutout - bottom*	1" (2.5 cm)	1 1/4" (3.2 cm)
E	Clearance from cutout - side edges*	1" (2.5 cm)	1 1/16" (1.75 cm)
F	Junction Box Location	8 3/4" (22.2 cm) max. right side only	9 1/2" (24.1 cm) max. right side only

* Refers to minimum clearance required for wall oven installation and does not reflect actual product dimensions.

Continue to Section 4.

2 C CUTOUT FOR DOUBLE OVENS (2 THERMAL OVENS)

NOTE: If the cabinet does not have a front frame and the sides are less than 3/4" (1.9 cm) thick, shim both sides equally to establish the cutout width.



NOTE: Allow 1/4" (0.64 cm) clearances from side edges of oven door.

Dim.	Description	27" Double Oven	30" Double Oven with Pedestal	30" Double Oven without Pedestal
A	Cabinet Width	27" (68.6 cm)	30" (76.2 cm)	30" (76.2 cm)
B	Cutout Width	25" (63.5 cm) min. 25 1/4" (64.1 cm) max.	28 1/2" (72.4 cm) min. 28 5/8" (72.7 cm) max.	28 1/2" (72.4 cm) min. 28 5/8" (72.7 cm) max.
C	Cutout Height	49 1/16" (126.2 cm) min. 50 1/8" (127.3 cm) max.	51 13/16" (131.6 cm) min. 51 15/16" (131.9 cm) max.	50 1/4" (127.64 cm)
D	Clearance from cutout - side edges*	1" (2.5 cm)	1 1/16" (1.75 cm)	1 1/16" (1.75 cm)
E	Clearance to Adjacent Corners, Drawers, Walls, etc., When Door Is Open	23" (50.8 cm) min.	23" (53.3 cm) min.	23" (53.3 cm) min.
F	Clearance from cutout - top*	1" (2.5 cm) min.	1" (2.5 cm) min. (1 1/4" (3.2 cm) for PT9550, ZET2S and ZET2P)	1" (2.5 cm) min. (1 1/4" (3.2 cm) for PT9550, ZET2S and ZET2P)
G	Clearance from cutout - bottom*	1" (2.5 cm) min.	1 1/4" (3.2 cm)	1 1/4" (3.2 cm)
H	Junction Box Location	8 3/4" (22.2 cm) max. right side only	9 1/2" (24.1 cm) max. right side only	9 1/2" (24.1 cm) max. right side only
K	Recommended Cutout Location from Floor	13 3/4" (33.7 cm)	12" (30.5 cm)	12" (30.5 cm)
P	Junction Box location	5-1/4" (13.34 cm) max.	5-1/4" (13.34 cm) max.	5-1/4" (13.34 cm) max.
R	Junction Box location	2-1/2" (6.35 cm) max.	2-1/2" (6.35 cm) max.	2-1/2" (6.35 cm) max.

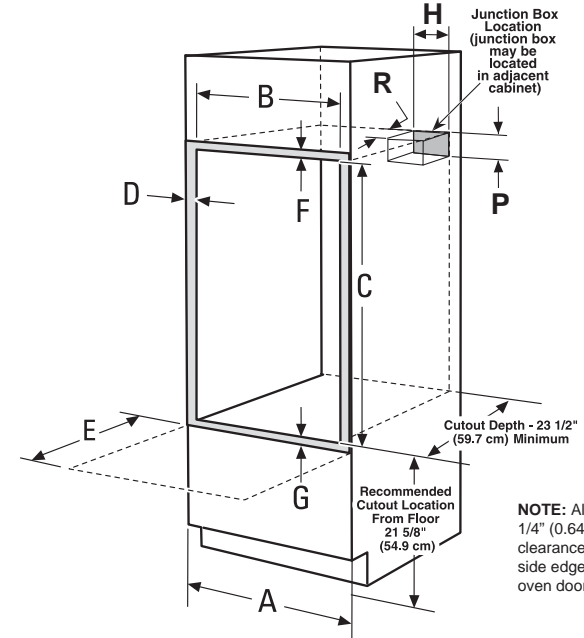
* Refers to minimum clearance required for wall oven installation and does not reflect actual product dimensions.

Continue to Section 3.



2 D CUTOUT FOR COMBINATION OVENS (WITH UPPER MICROWAVE OVEN)

NOTE: If the cabinet does not have a front frame and the sides are less than 3/4" (1.9 cm) thick, shim both sides equally to establish the cutout width.



NOTE: Allow 1/4" (0.64 cm) clearances from side edges of oven door.

Dim.	Description	27" Oven with Microwave	30" Oven with Microwave
A	Cabinet Width	27" (68.6 cm)	30" (76.2 cm)
B	Cutout Width	25" (63.5 cm) min. 25 1/4" (64.1 cm) max.	28 1/2" (72.4 cm) min. 28 5/8" (72.7 cm) max.
C	Cutout Height	41 1/8" (104.5 cm) min. 41 1/4" (104.8 cm) max.	42 3/16" (107.2 cm) min. 42 1/4" (107.3 cm) max.
D	Clearance from cutout - side edges*	1" (2.5 cm)	1 1/16" (1.75 cm)
E	Clearance to Adjacent Corners, Drawers, Walls, etc., When Door Is Open	23" (58.4 cm) min.	23" (58.4 cm)
F	Clearance from cutout - top*	1" (2.5 cm) min.	1" (2.5 cm) min.
G	Clearance from cutout - bottom*	1" (2.5 cm) min.	1 1/4" (3.2 cm)
H	Junction Box Location	8 3/4" (22.2 cm) max. right side only	9 1/2" (24.1 cm) max. right side only
P	Junction Box location	5-1/4" (13.34 cm) max.	5-1/4" (13.34 cm) max.
R	Junction Box location	2-1/2" (6.35 cm) max.	2-1/2" (6.35 cm) max.

* Refers to minimum clearance required for wall oven installation and does not reflect actual product dimensions.

Continue to Section 2E.

2 E SECURING UPPER MICROWAVE/ADVANTIUM OVEN TO CABINET

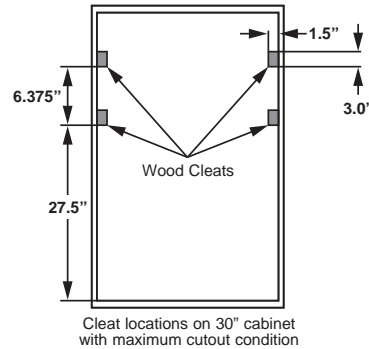
For double oven with microwave or Advantium upper ovens. Secure a wooden cleat to side of cabinet so that the upper oven can be secured to the cleat with provided screws

27" Cabinet requirements

- No shims (or cleats) required when cabinet is in minimum width condition.
- If cabinet is at maximum width condition, add wood shims to bring cabinet to minimum condition.

30" Cabinet requirements

- No shims (or cleats) required when cabinet is in minimum width condition.
- If cabinet is at maximum width condition, fix the wood cleats as shown in illustration.

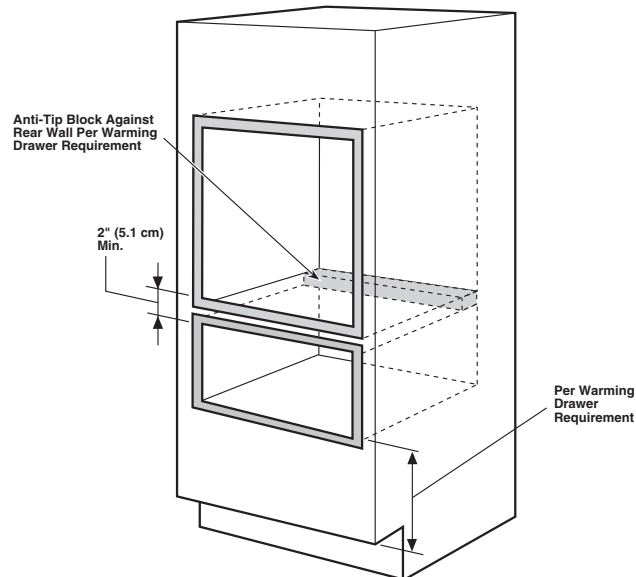


2 F CUTOUT FOR INSTALLATION OVER A WARMING DRAWER

NOTE: Install the oven only with specific models listed on the label located on top of the oven.

NOTE: Additional clearances between cutouts may be required. Check to be sure the oven supports above the Warming Drawer location do not obstruct the required interior depth and height.

When installing a Warming Drawer below a single, double, or combination oven, a separate 120V, 60 HZ, properly grounded receptacle must be installed. Refer to installation instructions packed with the Warming Drawer for specific installation requirements.



Continue to Section 3 for Double Wall Oven with Pedestal. Otherwise, continue to Section 4.

3 A DETERMINING WHEN TO USE THE PEDESTAL (30" DOUBLE OVENS ONLY)

WHEN TO USE THE PEDESTAL

When replacing an older GE Appliances 30" double wall oven with a new GE Appliances model. Cutout height = 51-13/16" to 51-15/16". This is our traditional cutout height.

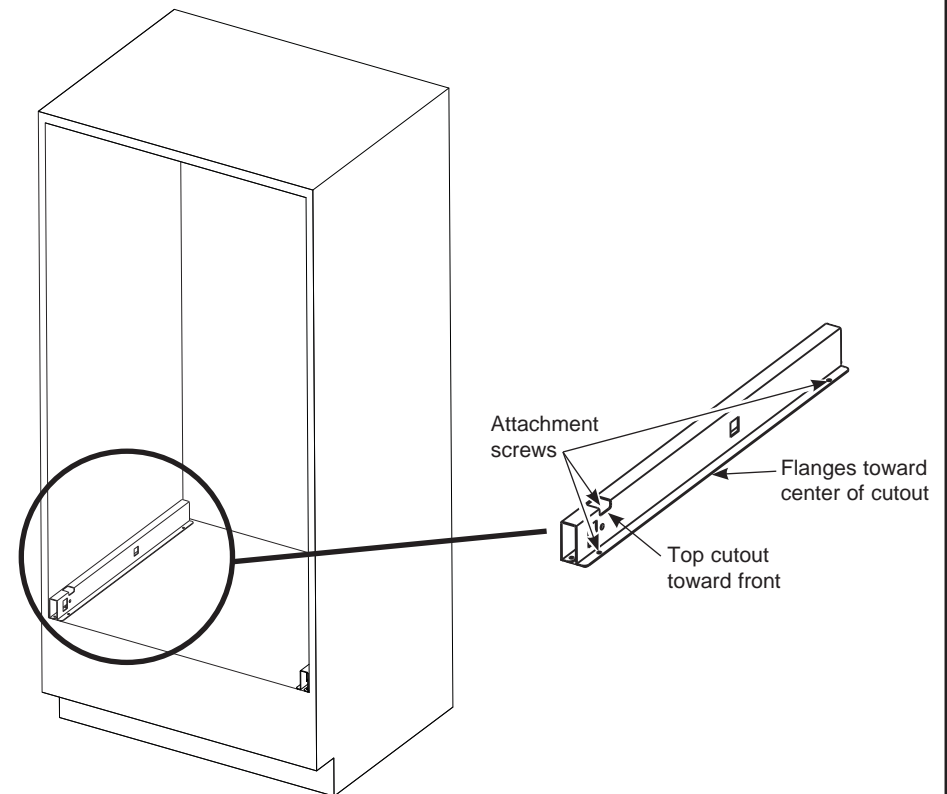
WHEN NOT TO USE THE PEDESTAL

When replacing a 30" double wall oven from another manufacturer (ie. Whirlpool) with a new GE Appliances 30" double wall oven. Cutout height = 50-1/4". You will need to verify that the existing cutout matches the 50-1/4" dimension.

If the new GE Appliances 30" double wall oven is being installed into new construction (ie. not a replacement), then the recommended installation is to use the Pedestal.

3 B PEDESTAL RAIL INSTALLATION (30" DOUBLE OVENS ONLY)

- Position the pedestal rails with the top cutout toward the front of the opening and the flanges on the bottom, pointing toward the center. Locate each rail on the floor or cabinet runner, slightly inward from the side of the cabinet. Make sure the front of each rail is not protruding beyond the front of the cabinet opening.
- Drill pilot holes and attach rails to runner or bottom of cabinet with provided hardware.



4 A DOOR REMOVAL (RECOMMENDED FOR THERMAL OVENS)

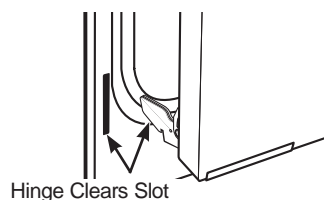
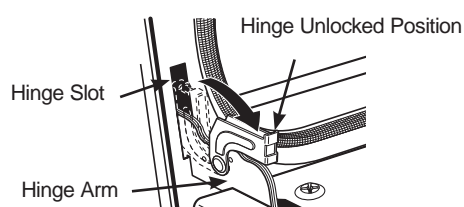
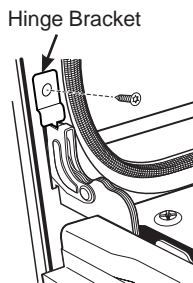
⚠ WARNING

The door for the microwave oven on a combination oven should never be removed, unless by a certified technician.

NOTE: Door removal is not a requirement for installation of the product but is an added convenience.

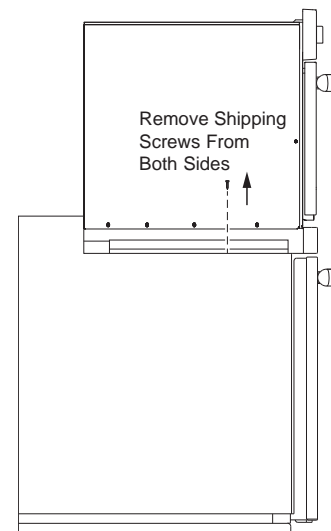
To remove the door:

- Open the oven door as far as it will go.
- Remove hinge bracket, if equipped, from front frame and set aside. The hinge bracket must be replaced, if equipped, for proper door functionality when door is reinstalled.
- Push both hinge locks down toward the door frame to the unlocked position. This may require a flat-blade screwdriver. **DO NOT LIFT THE DOOR BY THE HANDLE!**
- Place hands on both sides of the door and close the oven door to the removal position (approximately 1"–2" [2.5 cm–5.1 cm] from the closed position).
- Lift the door up and out until the hinge arms clear the slots. **NOTE:** The oven door is very heavy. Be sure you have a firm grip before lifting the oven door off the hinges. Use caution once the door is removed. Do not lay the door on its handle. This could cause dents or scratches.



4 B SHIPPING SCREWS REMOVAL (FOR 30" COMBINATION OVEN UPPER OVEN ONLY)

Shipping screws must be removed as shown in illustration. You will need a 1/4" Nut Driver.



5 ELECTRICAL REQUIREMENTS

⚠ WARNING

This appliance must be properly grounded.

⚠ WARNING

To prevent fire or shock, do not use an extension cord with this appliance.

⚠ WARNING

To prevent shock, remove house fuse or open circuit breaker before beginning installation.

⚠ WARNING

Improper connection of aluminum house wiring to copper leads can result in an electrical hazard or fire. Use only connectors designed for joining copper to aluminum and follow the manufacturer's recommended procedure closely.

We recommend you have the electrical wiring and hookup of your appliance connected by a qualified electrician. After installation, have the electrician show you how to disconnect power from the appliance.

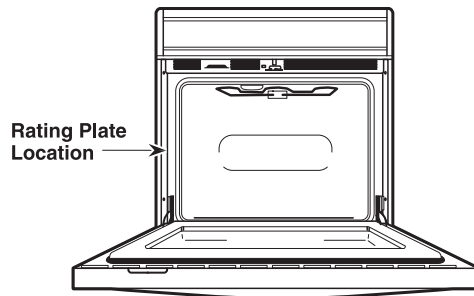
You must use a single-phase, 120/208 VAC or 120/240 VAC, 60 Hertz electrical system. If you connect to aluminum wiring, properly installed connectors approved for use with aluminum wiring must be used.

Effective January 1, 1996, the National Electrical Code requires that new construction (not existing) utilize a four-conductor connection to an electric oven. When installing an electric oven in new construction, a mobile home, recreational vehicle or an area where local codes prohibit grounding through the neutral conductor, refer to the section on four-conductor branch circuit connections.

Check with your local utilities for electrical codes which apply in your area. Failure to wire your oven according to governing codes could result in a hazardous condition. If there are no local codes, your oven must be wired and fused to meet the National Electrical Code, NFPA No. 70 – latest edition, available from the National Fire Protection Association.

5 ELECTRICAL REQUIREMENTS (CONT.)

This appliance must be supplied with the proper voltage and frequency and connected to an individual, properly grounded branch circuit, protected by a circuit breaker or fuse. See the rating plate located on the oven frame to determine the rating of the product.



Rating plate is located on the oven side trim.

Use the chart below to determine the minimum recommended dedicated circuit protection:

KW Rating 240V	KW Rating 208V	Recommended Circuit Size (Dedicated)
≤4.8 KW	≤4.1 KW	20 Amp
4.9 KW–7.2 KW	4.2 KW–6.2 KW	30 Amp
7.3 KW–9.6 KW	6.3 KW–8.3 KW	40 Amp
9.7 KW–12.0 KW	8.4 KW–10.4 KW	50 Amp

DO NOT shorten the flexible conduit. The conduit strain relief clamp must be securely attached to the junction box and the flexible conduit must be securely attached to the clamp. If the flexible conduit will not fit within the clamp, do not install the oven until a clamp of the proper size is obtained.

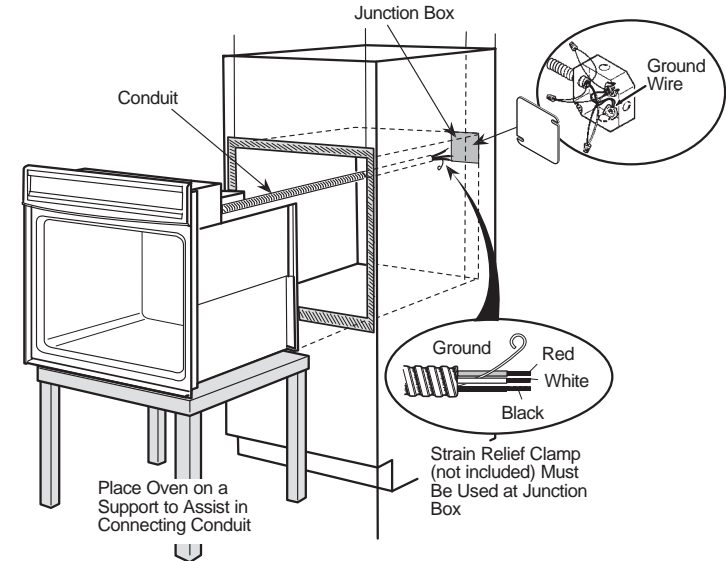
The 3 power leads supplied with this appliance are suitable for connection to heavier gauge household wiring. The insulation of these 3 leads is rated for temperatures much higher than the temperature rating of the household wiring. The current-carrying capacity of the conductor is governed by the wire gauge and the temperature rating of the insulation around the wire.

6 MAKE ELECTRICAL CONNECTIONS

⚠ WARNING

Switch power off at the service panel and lock the service disconnecting means to prevent power from being switched on accidentally. When the service disconnecting means cannot be locked, securely fasten a prominent warning device, such as a tag, to the service panel.

Place oven on table or platform even with the cutout opening. For a single oven, the platform must support 220 lbs. (99 kg); for a double or combination oven, the platform must support 400 lbs. (181 kg). Connect the flexible conduit to the electrical junction box as shown below*. Position the conduit in such a manner that it will lie behind the unit in a natural loop when the oven is installed**. You will need to purchase an appropriate strain relief clamp to complete the connection of the conduit to the junction box.



*Ovens come equipped with a 40" or 54" long conduit. If a longer conduit is desired, there may be one available for your model. To check availability or order parts, call GE Appliances at 1.800.GE.CARES.

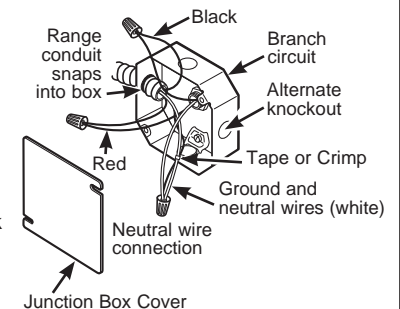
**Combination Oven with upper microwave oven - it is recommended to install the conduit through the side of the junction box as shown in the illustration above.

7 THREE-CONDUCTOR BRANCH CIRCUIT CONNECTION

NOTE: If residence leads are aluminum conductors, see **WARNING** in Section 5, Electrical Requirements.

When connecting to a three-conductor branch circuit, if local codes permit:

- Connect the oven ground conductor along with the neutral (white) lead to the branch circuit neutral (white or gray in color), using a wire nut.
- Connect the oven red lead to the branch circuit red lead and the oven black lead to the branch circuit black lead in accordance with local codes, using wire nuts.
- Install proper strain relief clamp.
- Install junction box cover.

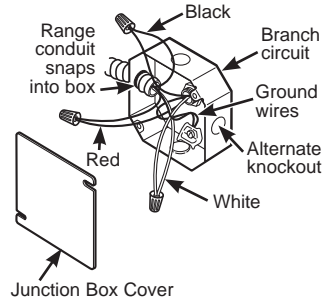


8 FOUR-CONDUCTOR BRANCH CIRCUIT CONNECTION

NOTE: If residence leads are aluminum conductors, see WARNING in Section 5, Electrical Requirements.

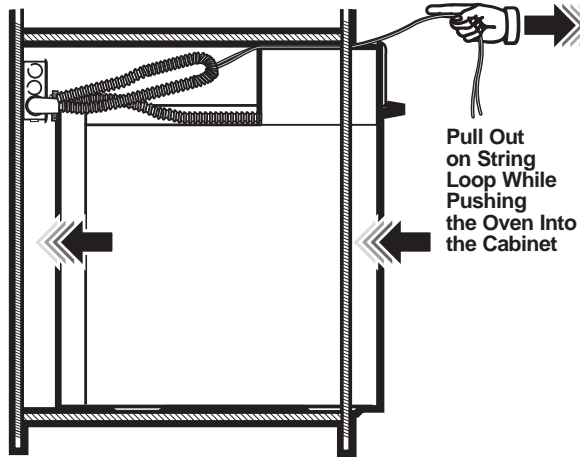
When connecting to a four-conductor branch circuit, if local codes permit:

- Free the neutral (white) lead from being restrained to any other wires. If necessary, cut the neutral (white) lead and then re-strip it to expose the proper length of conductor.
- Attach the appliance grounding lead (green or bare copper) in accordance with local codes.
- Connect the oven neutral (white) lead to the branch circuit neutral (white or gray) in accordance with local codes, using a wire nut.
- Connect the oven red lead to the branch circuit red lead and the oven black lead to the branch circuit black lead in accordance with local codes, using wire nuts.
- Install proper strain relief clamp.
- Install junction box cover.



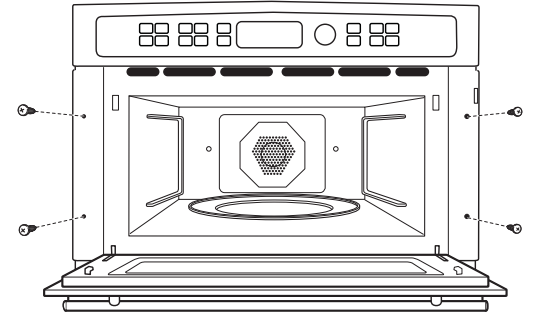
9 SLIDE OVEN INTO OPENING

- Loop (do not tie) a 36" (91 cm) string around the conduit before the oven is slid into place. This will keep the conduit from falling behind the oven.
- Lift oven into cabinet cutout using the oven opening as a grip. Carefully push against oven front frame. Do not push against outside edges.
- As you slide the oven back, pull the string so that the conduit will lie on top of the oven in a natural loop. For a combination oven, pull the conduit so that it sits above the lower oven on the left side (as viewed from the front).
- When you are sure the conduit is out of the way, slide the oven ¾ way back into the opening. Remove the string by pulling on one end of the loop.



10 A INSTALL MOUNTING SCREWS (UPPER OVEN ON COMBINATION OVENS)

- Slide the oven the remaining way into the opening so that the side flanges and control panel are against the cabinet frame. Make sure that the oven is centered in the opening.
- Open the door, place a turntable tray in the oven and make sure that the tray in the unit is level.
- Drill pilot holes through the side flanges.
- Drive the color-matched screws into the side flanges. It is recommended that the screws be hand tightened.



10 B INSTALL MOUNTING SCREWS (THERMAL OVENS)

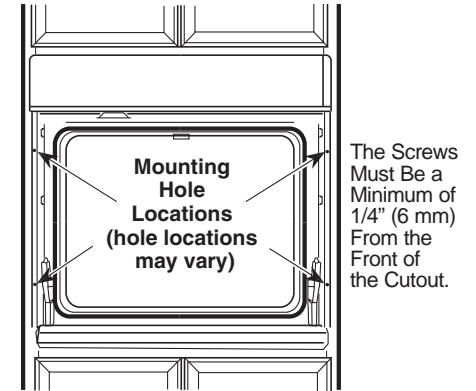
WARNING Mounting screws must be used. Failure to do so could result in the oven falling out of the cabinet, causing serious injury.

NOTE: During oven mounting step, ensure that no damage is done to oven gasket which lines the edge of oven cavity.

NOTE: Before drilling the pilot holes, make sure the oven is pushed as far back into the opening as it will go and is centered.

NOTE: If the cabinet is particle board, you must use #8 x ¾" particle board screws. These may be purchased at any hardware store.

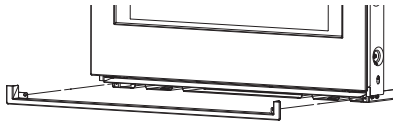
- Drill through the mounting holes (top and bottom) of the side trim for the #8 mounting screws provided.
- Secure the oven cabinet with the screws provided.



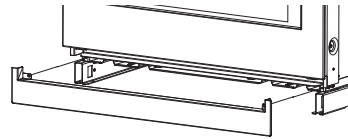
Some models have custom handles. Please follow the instructions with the handles for proper installation.

11 BOTTOM TRIM INSTALLATION

With oven installed, attach the bottom trim through its mounting holes in front vertical brace using two trim screws provided. Bottom trim lip must be placed under flange of bottom air duct.



Single, Combination, and Double Wall Oven Installations without a Pedestal

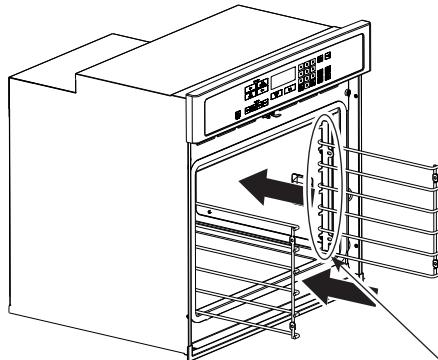


Double Wall Oven Installations with a Pedestal

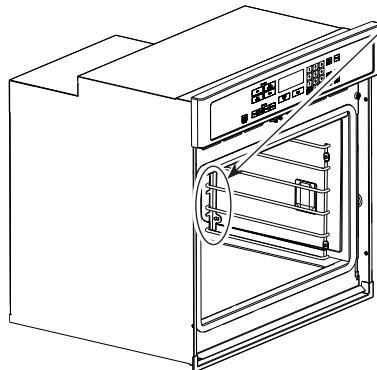
IMPORTANT: If this unit is ever removed from the cabinet or the oven is ever pulled out for service, the bottom trim must be removed first or damage to the trim will occur.

12 OVEN RACK GUIDE INSTALLATION (IF APPLICABLE)

- Locate included oven rack guide mounting hardware.
- Place oven rack guides on cavity wall studs with metal posts towards back of cavity as shown.
- Install guides using the 8 provided mounting nuts.



Metal Posts to be installed in the rear of cavity

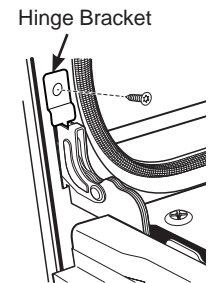
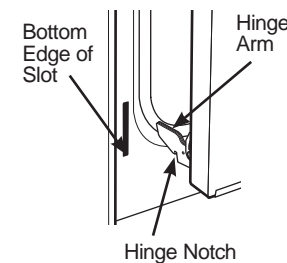
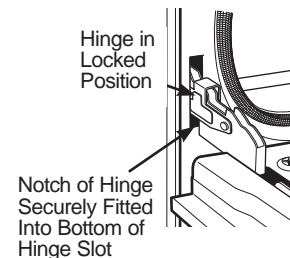
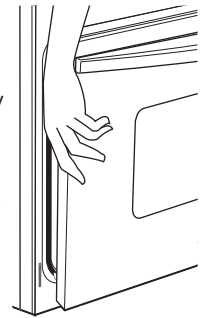


Oven rack guide shown in place.

13 REPLACING THE THERMAL OVEN DOOR

NOTE: The oven door is heavy. You may need help lifting the door high enough to slide it into the hinge slots. Do not lift the door by the handle.

- Lift the oven door by grasping each side.
- With the door at the same angle as the removal position (approximately 1"–2" [2.5 cm–5.1 cm] from the closed position), seat the notch of the hinge arm into the bottom edge of the hinge slot. The notch of the hinge arm must be fully seated into the bottom of the slot.
- Fully open the door. If the door will not fully open, the indentation is not seated correctly in the bottom edge of the slot.
- Push the hinge locks up against the front frame of the oven cavity, to the locked position.
- Replace hinge bracket, if equipped, to ensure proper door functionality.
- Close the oven door.



14 FINAL INSTALLATION CHECKLIST

- Check to make sure the circuit breaker is closed (RESET) or the circuit fuses are replaced.
- Be sure power is in service to the building.
- Check that all packing material and tape have been removed. Failure to remove these materials could result in damage to the appliance once the appliance has been turned on and surfaces have heated.
- Remove all items from inside the oven.
- Check to be sure that the mounting screws are installed and flush with the side trim (see Section 10).
- Check that the bottom trim is installed properly (see Section 11).
- Ensure that air duct opening at bottom of unit is free of obstructions.
- Check that oven rack guides (if applicable) are installed correctly and oven racks function smoothly.
- If applicable - install handles following handle installation instructions and check that both ends are secured.

OPERATION CHECKLIST

- Turn on the power to the oven (refer to your Owner's Manual). Verify that the bake and broil units and all cooking functions operate properly.
- See your Owner's Manual for the troubleshooting list.
- Be sure all of the oven controls are OFF before leaving the oven.

Instructions d'installation

Fours électriques encastrés de 27 po et 30 po

Des questions? Téléphonez au 1-800-432-2737 ou visitez GEAppliances.com.
Au Canada, téléphonez au 1-800-561-3344 ou visitez electromenagersge.ca.

AVANT DE COMMENCER

Lisez attentivement toutes ces instructions.

- **IMPORTANT** – Conservez ces instructions pour l'inspecteur local.
- **IMPORTANT** – Respectez tous les codes et règlements en vigueur.
- **Remarque destinée à l'installateur** – Veillez à laisser ces instructions au consommateur.
- **Remarque destinée au consommateur** – Conservez ces instructions pour vous y reporter ultérieurement.
- **Niveau de compétence** – L'installation de cet appareil doit être effectuée par un installateur ou un électricien qualifiés.
- L'installateur est responsable de la qualité de l'installation.
- Une défaillance de ce produit causée par une mauvaise installation n'est pas couverte par la garantie.
- Cet appareil est destiné à un usage domestique à l'intérieur uniquement.

AVERTISSEMENT DESTINÉ À L'INSTALLATEUR : Tous les fours encastrés électriques doivent être raccordés par câble (en ligne directe) à une boîte de jonction approuvée. L'utilisation d'une fiche et d'une prise est INTERDITE pour ce type d'appareil.

POUR VOTRE SÉCURITÉ :

⚠ AVERTISSEMENT

Avant de commencer l'installation, coupez le courant au tableau de distribution et bloquez le disjoncteur pour éviter que le courant ne soit accidentellement rétabli. S'il n'est pas possible de bloquer le disjoncteur, posez un avertissement bien visible, comme une étiquette, sur le tableau de distribution.

Assurez-vous que le four est installé dans une armoire qui est solidement fixée à la structure de l'habitation. Une lourde charge posée sur la porte du four pourrait faire basculer le four et causer des blessures. Ne permettez jamais à personne de grimper, de s'asseoir, de se tenir debout sur la porte du four, ni même de s'y accrocher.

Assurez-vous que les revêtements muraux, les comptoirs et les armoires autour du four peuvent supporter les températures générées par celui-ci (jusqu'à 200 °F/93,3 °C).

ARTICLES DONT VOUS POURRIEZ AVOIR BESOIN

Boîte de jonction
Capuchons de connexion
Collier de serrage pour câble de 1/2 po
36 po (91 cm) de corde

OUTILS DONT VOUS POURRIEZ AVOIR BESOIN

Perceuse manuelle ou électrique et foret de 1/8 po
Tournevis T20
Tournevis Phillips
Pince à dénuder
Tournevis à douille de 7/16 po (four combiné)
Tournevis à douille de 1/4 po (four combiné de 30 po)

1 RETIREZ LES MATÉRIAUX D'EMBALLAGE

Si vous n'enlevez pas les matériaux d'emballage, vous pourriez endommager l'appareil. Retirez du four toutes les pièces d'emballage du four, des grilles et des éléments chauffants. Retirez le film protecteur et les étiquettes de la porte extérieure et du tableau de commande. Retirez également le film protecteur en plastique sur les garnitures et le panneau, le ruban adhésif autour du four et toutes les vis d'expédition qui fixent le four à la plaque de base. Ouvrez la porte du four et retirez le sac de la documentation et les grilles de four. Retirez la garniture inférieure du dessus du four. Elle sera posée à la fin de l'installation. La garniture est emballée séparément et fixée au-dessus de l'appareil avec du ruban adhésif. Retirez les rails du piédestal de la boîte séparée et mettez-les de côté (fours encastrés doubles de 30 po uniquement).

Considérez les options de recyclage des matériaux d'emballage de votre électroménager.

INFORMATION DE CONCEPTION

INSTALLATIONS DE FOUR SIMPLE

Le four simple peut être installé seul dans une armoire ou au-dessus d'un tiroir-réchaud. Le four simple peut également être installé côte à côte, sous un comptoir ou sous certaines surfaces de cuisson. Voir l'étiquette sur le dessus du four pour connaître les modèles de surface de cuisson approuvés.

INSTALLATIONS D'UN FOUR DOUBLE OU COMBINÉ

Un four double ou un four combiné peut être installé seul dans une armoire ou au-dessus d'un tiroir-réchaud. Voir l'étiquette sur le dessus du four pour connaître les modèles de surface de cuisson approuvés.

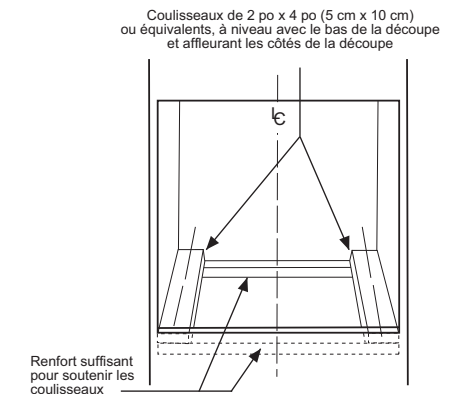
IMPORTANT : Reportez-vous toujours aux instructions d'installation fournies avec chaque produit pour en connaître les exigences spécifiques.

2 PRÉPARATION DE L'OUVERTURE

REMARQUE : Si l'armoire ne possède pas un fond assez solide, deux entretoises ou coulisseaux doivent être installés pour supporter le poids du four. Pour les fours simples, les coulisseaux et entretoises doivent pouvoir supporter un poids de 220 lb (99 kg). Pour les fours doubles et les fours combinés, les coulisseaux et entretoises doivent pouvoir supporter un poids de 400 lb (181 kg).

REMARQUE : Si des marques, des taches ou la découpe sont visibles au-dessus du four installé, il peut s'avérer nécessaire d'ajouter des cales en bois sous les coulisseaux jusqu'à ce que les marques ou l'ouverture soient recouvertes.

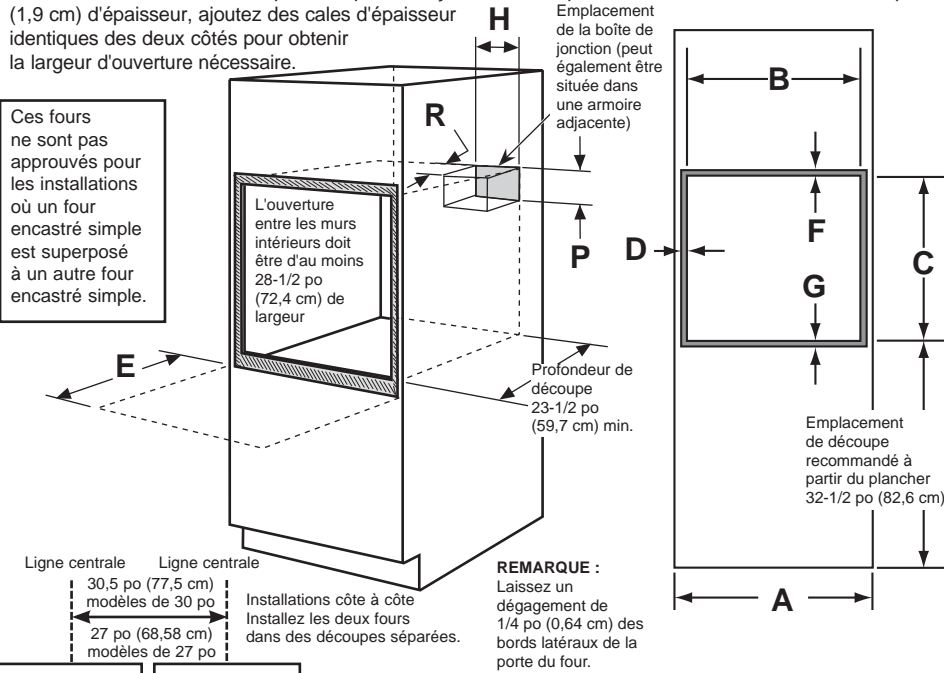
REMARQUE : Si l'armoire ne possède pas de façade avant et que ses côtés mesurent moins de 3/4 po (1,9 cm) d'épaisseur, ajoutez des cales d'épaisseur identiques des deux côtés pour obtenir la largeur d'ouverture nécessaire.



2 A DÉCOUPE POUR FOURS SIMPLES DANS UNE ARMOIRE MURALE

REMARQUE : Si l'armoire ne possède pas de façade avant et que ses côtés mesurent moins de 3/4 po (1,9 cm) d'épaisseur, ajoutez des cales d'épaisseur identiques des deux côtés pour obtenir la largeur d'ouverture nécessaire.

Ces fours ne sont pas approuvés pour les installations où un four encastré simple est superposé à un autre four encastré simple.



Découpe – respectez toutes les dimensions et exigences.

Découpe – respectez toutes les dimensions et exigences.

2 po (5,1 cm) min.

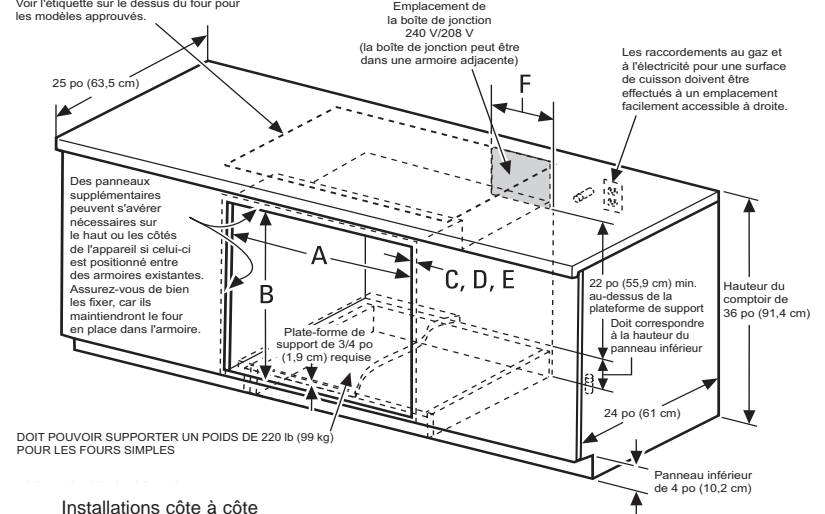
Dims.	Description de la dimension	Four simple de 27 po	Four simple de 30 po
A	Largeur de l'armoire	27 po (68,6 cm)	30 po (76,2 cm)
B	Largeur de la découpe	25 po (63,5 cm) min. 25 1/4 po (64,1 cm) max.	28 1/2 po (72,4 cm) min. 28 3/4 po (72,7 cm) max.
C	Hauteur de la découpe	27 3/8 po (70,2 cm) min. 28 1/2 po (71,4 cm) max.	27 1/4 po (69,2 cm) min. 27 5/8 po (69,4 cm) max.
D	Dégagement de la découpe – bords latéraux*	1 po (2,5 cm)	1 1/8 po (1,75 cm)
E	Dégagement aux coins adjacents, aux tiroirs, aux murs, etc., lorsque la porte est ouverte	23 po (58,4 cm) min.	23 po (58,4 cm) min.
F	Dégagement de la découpe – haut*	1 po (2,5 cm) min.	1 po (2,5 cm) min. (1 1/4 po [3,2 cm] pour PT9050, ZET1S et ZET1P)
G	Dégagement de la découpe – bas*	1 po (2,5 cm) min.	1 1/4 po (3,2 cm)
H	Emplacement de la boîte de jonction	8 3/4 po (22,2 cm) max., côté droit uniquement	9 1/2 po (24,1 cm) max., côté droit uniquement
P	Emplacement de la boîte de jonction	5-1/4" (13.34 cm) max.	5-1/4" (13.34 cm) max.
R	Emplacement de la boîte de jonction	2-1/2" (6.35 cm) max.	2-1/2" (6.35 cm) max.

* Ces mesures représentent le dégagement minimal requis pour l'installation du four encastré et ne reflètent pas les dimensions réelles du produit.

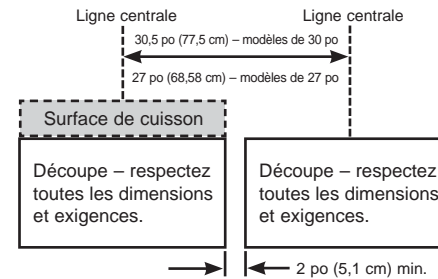
2 B DÉCOUPE POUR FOURS SIMPLES – SOUS LE COMPTOIR

REMARQUE : Ces fours sont approuvés pour n'être installés que sous certains modèles, tels qu'indiqué sur une étiquette située sur l'appareil.

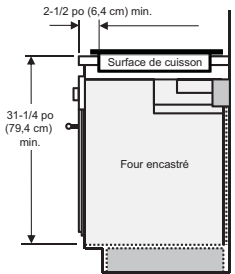
Une surface de cuisson à gaz ou électrique peut être installée au-dessus de ce four. Consultez les instructions d'installation de la surface de cuisson pour les dimensions de la découpe. Voir l'étiquette sur le dessus du four pour les modèles approuvés.



Installations côte à côte
Installez les deux fours dans des découpes séparées.



IMPORTANT : Maintenez une distance minimum de 31-1/4 po entre le dessus du comptoir et la plateforme du four encastré afin qu'il n'y ait pas d'interférence entre la surface de cuisson et le four encastré (voir l'illustration).



REMARQUE : Une surface de cuisson peut être centrée sur l'un ou l'autre des fours dans l'installation côte à côte.

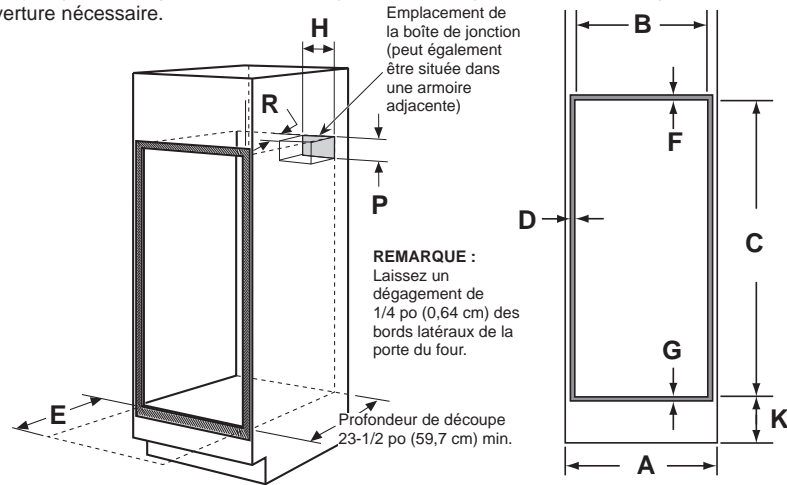
Dimension	Description de la dimension	Four simple de 27 po	Four simple de 30 po
A	Largeur de l'armoire	25 po (63,5 cm) min. 25 1/4 po (64,1 cm) max.	28 1/2 po (72,4 cm) min. 28 3/4 po (72,7 cm) max.
B	Hauteur de la découpe	27 3/8 po (70,2 cm) min. 28 1/2 po (71,4 cm) max.	27 1/4 po (69,2 cm) min. 27 5/8 po (69,4 cm) max.
C	Dégagement de la découpe – haut*	1 po (2,5 cm)	1 po (2,5 cm) (1 1/4 po [3,2 cm] pour PT9050, ZET1S et ZET1P)
D	Dégagement de la découpe – bas*	1 po (2,5 cm)	1 1/4 po (3,2 cm)
E	Dégagement de la découpe – bords latéraux*	1 po (2,5 cm)	1 1/8 po (1,75 cm)
F	Emplacement de la boîte de jonction	8 3/4 po (22,2 cm) max., côté droit seulement	9 1/2 po (24,1 cm) max., côté droit uniquement

* Ces mesures représentent le dégagement minimal requis pour l'installation du four encastré et ne reflètent pas les dimensions réelles du produit.

Passez à la section 4.

2 C DÉCOUPE POUR FOURS DOUBLES (2 FOURS THERMIQUES)

REMARQUE : Si l'armoire ne possède pas de façade avant et que ses côtés mesurent moins de 3/4 po (1,9 cm) d'épaisseur, ajoutez des cales d'épaisseur identiques des deux côtés pour obtenir la largeur d'ouverture nécessaire.



Dim.	Description	Four double de 27 po	Four double de 30 po avec piédestal	Four double de 30 po sans piédestal
A	Largeur de l'armoire	27 po (68,6 cm)	30 po (76,2 cm)	30 po (76,2 cm)
B	Largeur de la découpe	25 po (63,5 cm) min. 25 3/4 po (64,1 cm) max.	28 1/2 po (72,4 cm) min. 28 5/8 po (72,7 cm) max.	28 1/2 po (72,4 cm) min. 28 5/8 po (72,7 cm) max.
C	Hauteur de la découpe	49 1/16 po (126,2 cm) min. 50 1/8 po (127,3 cm) max.	51 1/16 po (131,6 cm) min. 51 5/16 po (131,9 cm) max.	50 1/4 po (127,64 cm)
D	Dégagement de la découpe – bords latéraux*	1 po (2,5 cm)	1 1/8 po (1,75 cm)	1 1/8 po (1,75 cm)
E	Dégagement aux coins adjacents, aux tiroirs, aux murs, etc., lorsque la porte est ouverte	23 po (58,4 cm) min.	23 po (58,4 cm) min.	23 po (58,4 cm) min.
F	Dégagement de la découpe – haut*	1 po (2,5 cm) min.	1 po (2,5 cm) min. (1 1/4 po [3,2 cm] pour PT9550, ZET2S et ZET2P)	1 po (2,5 cm) min. (1 1/4 po [3,2 cm] pour PT9550, ZET2S et ZET2P)
G	Dégagement de la découpe – bas*	1 po (2,5 cm) min.	1 1/4 po (3,2 cm)	1 1/4 po (3,2 cm)
H	Emplacement de la boîte de jonction	8 3/4 po (22,2 cm) max., côté droit seulement	9 1/2 po (24,1 cm) max., côté droit seulement	9 1/2 po (24,1 cm) max., côté droit seulement
K	Emplacement de découpe recommandé à partir du plancher	13 3/4 po (33,7 cm)	12 po (30,5 cm)	12 po (30,5 cm)
P	Emplacement de la boîte de jonction	5-1/4" (13,34 cm) max.	5-1/4" (13,34 cm) max.	5-1/4" (13,34 cm) max.
R	Emplacement de la boîte de jonction	2-1/2" (6,35 cm) max.	2-1/2" (6,35 cm) max.	2-1/2" (6,35 cm) max.

* Ces mesures représentent le dégagement minimal requis pour l'installation du four encastré et ne reflètent pas les dimensions réelles du produit.

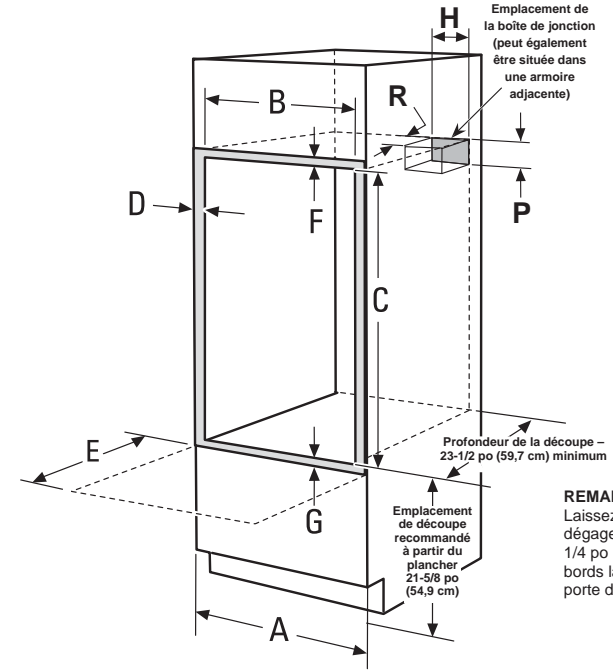
Passez à la section 3.



1 po = 2,5 cm; 1 pi = 0,3 m

2 D DÉCOUPE POUR FOURS COMBINÉS (AVEC FOUR À MICRO-ONDES SUPÉRIEUR)

REMARQUE : Si l'armoire ne possède pas de façade avant et que ses côtés mesurent moins de 3/4 po (1,9 cm) d'épaisseur, ajoutez des cales d'épaisseur identiques des deux côtés pour obtenir la largeur d'ouverture nécessaire.



Dim.	Description	Four de 27 po avec micro-ondes	Four de 30 po avec micro-ondes
A	Largeur de l'armoire	27 po (68,6 cm)	30 po (76,2 cm)
B	Largeur de la découpe	25 po (63,5 cm) min. 25 3/4 po (64,1 cm) max.	28 1/2 po (72,4 cm) min. 28 5/8 po (72,7 cm) max.
C	Hauteur de la découpe	41 1/8 po (104,5 cm) min. 41 1/4 po (104,8 cm) max.	42 3/16 po (107,2 cm) min. 42 1/4 po (107,3 cm) max.
D	Dégagement de la découpe – bords latéraux*	1 po (2,5 cm)	1 1/8 po (1,75 cm)
E	Dégagement aux coins adjacents, aux tiroirs, aux murs, etc., lorsque la porte est ouverte	23 po (58,4 cm) min.	23 po (58,4 cm)
F	Dégagement de la découpe – haut*	1 po (2,5 cm) min.	1 po (2,5 cm) min.
G	Dégagement de la découpe – bas*	1 po (2,5 cm) min.	1 1/4 po (3,2 cm)
H	Emplacement de la boîte de jonction	8 3/4 po (22,2 cm) max., côté droit uniquement	9 1/2 po (24,1 cm) max., côté droit uniquement
P	Emplacement de la boîte de jonction	5-1/4" (13,34 cm) max.	5-1/4" (13,34 cm) max.
R	Emplacement de la boîte de jonction	2-1/2" (6,35 cm) max.	2-1/2" (6,35 cm) max.

* Ces mesures représentent le dégagement minimal requis pour l'installation du four encastré et ne reflètent pas les dimensions réelles du produit.

Passez à la section 2E.

1 po = 2,5 cm; 1 pi = 0,3 m

2 E FIXATION DU MICRO-ONDES/FOUR ADVANTIUM SUPÉRIEUR À L'ARMOIRE

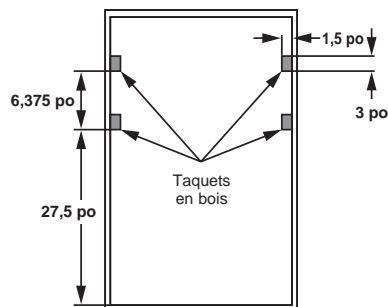
Pour four double avec micro-ondes ou four Advantium supérieur. Fixez un taquet en bois sur le côté de l'armoire afin que le four supérieur puisse être fixé au taquet à l'aide des vis fournies.

Exigences concernant l'armoire (four de 27 po)

- Aucune cale (ou taquet) n'est requise lorsque l'armoire correspond à la largeur minimale exigée.
- Si l'armoire correspond à la largeur maximale, ajoutez des cales en bois pour atteindre la largeur minimale exigée.

Exigences concernant l'armoire (four de 30 po)

- Aucune cale (ou taquet) n'est requise lorsque l'armoire correspond à la largeur minimale exigée.
- Si l'armoire correspond à la largeur maximale, ajoutez des taquets en bois comme illustré.



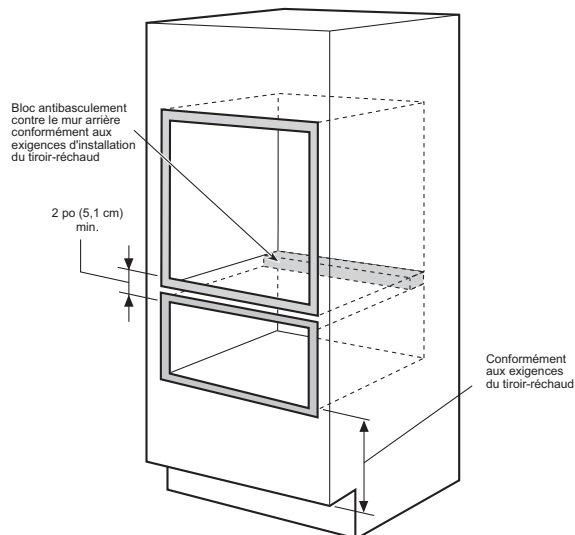
Emplacements des taquets sur l'armoire de 30 po avec condition de découpe maximale

2 F DÉCOUPE POUR UNE INSTALLATION AU-DESSUS D'UN TIROIR-RÉCHAUD

REMARQUE : Installez le four seulement avec les modèles figurant sur l'étiquette située sur le dessus du four.

REMARQUE : Un dégagement supplémentaire peut être requis entre les découpes. Assurez-vous que les supports de four au-dessus du tiroir-réchaud n'obstruent pas les dégagements de profondeur et de hauteur requis à l'intérieur.

Lors de l'installation d'un tiroir-réchaud sous un four simple, double ou combiné, une prise séparée de 120 V, 60 Hz et correctement mise à la terre doit être installée. Reportez-vous aux instructions d'installation fournies avec le tiroir-réchaud pour les exigences d'installation spécifiques.



Passez à la section 3 pour le four encastré double avec piédestal. Sinon, passez à la section 4.

1 po = 2,5 cm; 1 pi = 0,3 m

3 A DÉTERMINER QUAND UTILISER LE PIÉDESTAL (FOUR DOUBLE DE 30 po UNIQUEMENT)

UTILISATION DU PIÉDESTAL REQUISE

Lors du remplacement d'un ancien four double encastré de 30 po d'Électroménagers GE par un nouveau modèle de la même marque. Hauteur de la découpe = 51-13/16 po à 51-15/16 po. Il s'agit de notre hauteur de découpe standard.

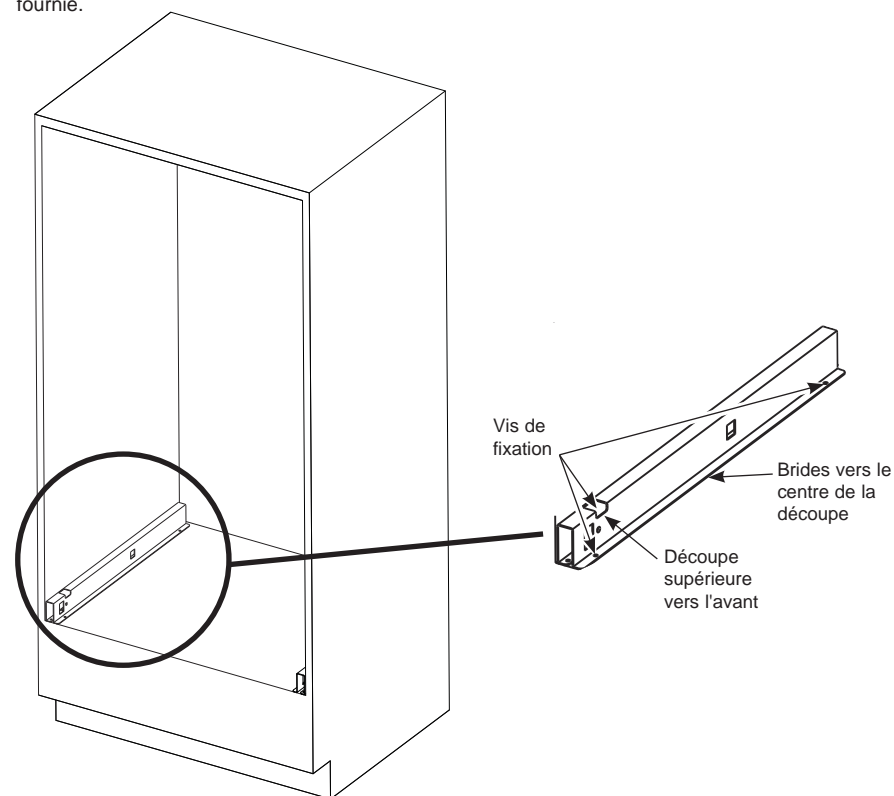
UTILISATION DU PIÉDESTAL NON REQUISE

Lors du remplacement d'un ancien four double encastré de 30 po d'un autre fabricant (p. ex. Whirlpool) par un four double encastré de 30 po d'Électroménagers GE. Hauteur de la découpe = 50-1/4 po. Vous devez vérifier que la découpe existante est de 50-1/4 po.

Il est recommandé d'utiliser le piédestal si le nouveau four mural double de 30 po d'Électroménagers GE est installé dans une nouvelle construction (c.-à-d. pas un remplacement).

3 B INSTALLATION DES RAILS DU PIÉDESTAL (FOURS DOUBLES DE 30 po SEULEMENT)

- Positionnez les rails du piédestal avec la découpe supérieure vers l'avant de l'ouverture et les brides inférieures, pointant vers le centre. Positionnez chaque rail sur le plancher ou le coulisseau de l'armoire, légèrement vers l'intérieur à partir du côté de l'armoire. Assurez-vous que l'avant d'aucun des rails ne dépasse l'avant de l'ouverture de l'armoire.
- Percez des avant-trous et fixez les rails au coulisseau ou au bas de l'armoire avec la quincaillerie fournie.



1 po = 2,5 cm; 1 pi = 0,3 m

4 A RETRAIT DE LA PORTE (RECOMMANDÉ POUR LES FOURS THERMIQUES)

⚠ AVERTISSEMENT

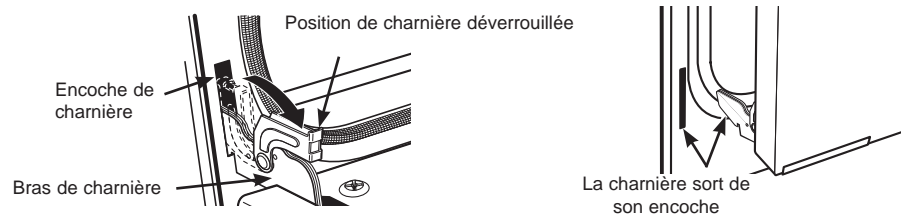
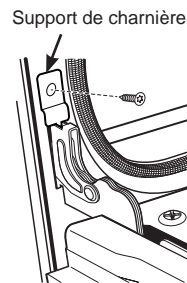
La porte du four à micro-ondes d'un four combiné ne doit jamais être retirée, sauf par un technicien certifié.

REMARQUE : Le retrait de la porte n'est pas une exigence, mais cela facilite l'installation du four.

Pour enlever la porte :

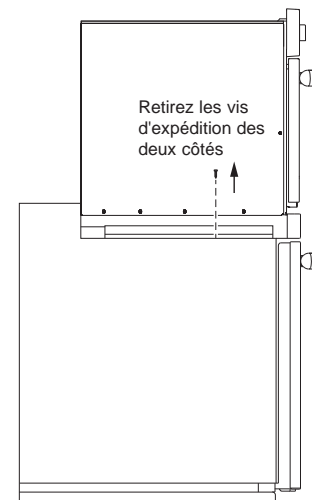
- Ouvrez la porte du four aussi grand que possible.
- Retirez le support de charnière (le cas échéant) du cadre avant et mettez-le de côté. Le support de charnière (le cas échéant) doit être remplacé pour assurer le bon fonctionnement de la porte lorsque cette dernière est réinstallée.
- Poussez les deux verrous de charnière vers le cadre de la porte en position déverrouillée. Cela pourrait demander l'utilisation d'un tournevis à lame plate. **NE SOULEVEZ PAS LA PORTE PAR SA POIGNÉE!**
- Placez les mains des deux côtés de la porte et fermez-la en position de retrait (environ 1 à 2 po [2,5 à 5,1 cm] de la position fermée).

- Soulevez et retirez la porte jusqu'à ce que les bras de charnière soient dégagés de leur encoche. **REMARQUE :** La porte du four est très lourde. Assurez-vous de bien tenir la porte avant de la soulever pour la faire sortir des charnières. Faites attention une fois que la porte a été enlevée. Ne posez pas la porte par terre sur sa poignée. Cela pourrait la bosseler ou l'égratigner.



4 B DÉMONTAGE DES VIS D'EXPÉDITION (POUR FOUR COMBINÉ DE 30 po SEULEMENT)

Les vis d'expédition doivent être retirées comme indiqué sur l'illustration. Vous aurez besoin d'un tournevis à douille de 1/4 po.



5 EXIGENCES ÉLECTRIQUES

⚠ AVERTISSEMENT

Cet appareil doit être correctement mis à la terre.

⚠ AVERTISSEMENT

Pour prévenir les risques d'incendie ou de décharge électrique, n'utilisez pas de rallonge électrique avec cet appareil.

⚠ AVERTISSEMENT

Pour prévenir le risque de choc électrique, enlevez le fusible ou déclenchez le disjoncteur au panneau de distribution électrique avant d'entreprendre l'installation.

⚠ AVERTISSEMENT

Un raccordement incorrect du câblage en aluminium du domicile à des fils en cuivre présente un risque de nature électrique et peut entraîner un incendie. N'utilisez que des connecteurs conçus pour le raccordement du cuivre à l'aluminium et suivez attentivement les instructions de leur fabricant.

Nous vous recommandons d'avoir recours aux services d'un électricien qualifié pour effectuer le câblage électrique et le raccordement de votre électroménager. Après l'installation, demandez à l'électricien de vous montrer comment couper l'alimentation de l'appareil.

Vous devez utiliser un système électrique monophasé de 120/208 V CA ou de 120/240 V CA et 60 Hz.

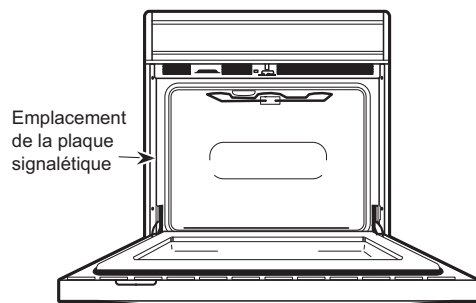
Lorsque le câblage de la maison est en aluminium, utilisez des connecteurs correctement installés et homologués pour une utilisation avec un câblage en aluminium.

Depuis le 1^{er} janvier 1996, le Code national de l'électricité exige que chaque nouvelle construction (non existante) ait recours à un raccordement à quatre conducteurs pour un four électrique. Lorsque vous installez un four électrique dans une nouvelle construction, une maison mobile, un véhicule de plaisance ou dans un endroit où les codes locaux interdisent la mise à la terre par le biais d'un conducteur neutre, reportez-vous à la section sur le raccordement à un circuit de dérivation à quatre conducteurs.

Renseignez-vous auprès des services publics locaux pour savoir quels sont les codes électriques applicables dans votre région. Ne pas raccorder votre four conformément aux codes en vigueur pourrait se révéler dangereux. En l'absence de codes locaux, votre four devrait être raccordé et protégé par un fusible, conformément à la dernière édition du Code national de l'électricité (NFPA 70) disponible auprès de la National Fire Protection Association.

5 EXIGENCES ÉLECTRIQUES (suite)

Cet appareil est conçu pour être alimenté à une tension et une fréquence appropriées, et doit être branché à un circuit de dérivation individuel correctement mis à la terre et protégé par un disjoncteur ou un fusible temporisé. Reportez-vous à la plaque signalétique sur le cadre du four pour déterminer les valeurs nominales du produit.



La plaque signalétique est située sur la garniture latérale du four.

Utilisez le tableau ci-dessous pour déterminer la protection minimale recommandée pour le circuit indépendant.

Puissance nominale en kW à 240 V	Puissance nominale en kW à 208 V	Puissance du circuit recommandé (indépendant)
≤ 4,8 kW	≤ 4,1 kW	20 A
4,9 à 7,2 kW	4,2 à 6,2 kW	30 A
7,3 à 9,6 kW	6,3 à 8,3 kW	40 A
9,7 à 12,0 kW	8,4 à 10,4 kW	50 A

NE RACCOURCISSEZ PAS le câble souple. Le collier de serrage du câble doit être bien fixé à la boîte de jonction et le câble souple doit être fermement attaché au collier de serrage. Si le câble souple ne rentre pas dans le collier de serrage, n'installez pas le four tant que vous ne disposez pas d'un collier de serrage de dimension appropriée.

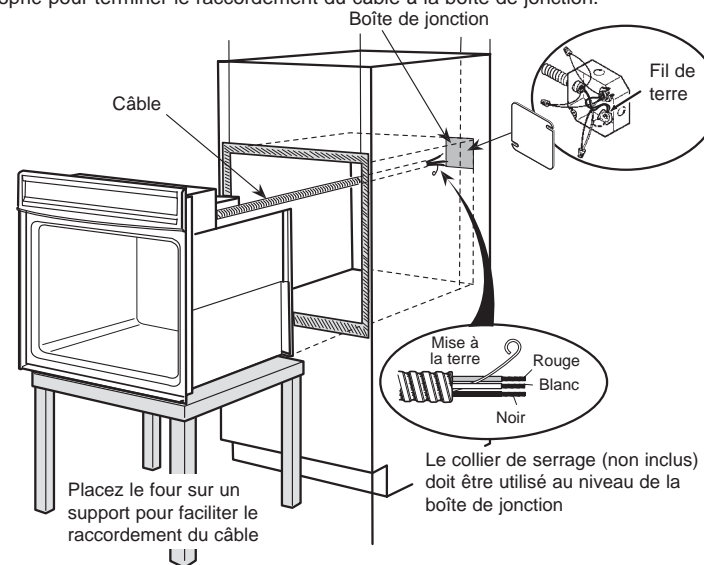
Les 3 fils fournis avec cet appareil sont homologués pour un raccordement à des systèmes électriques résidentiels de calibre supérieur. L'isolation de ces 3 fils est certifiée pour une utilisation à des températures très supérieures à la température nominale d'un système électrique résidentiel. La capacité de transport de courant actuelle du conducteur dépend du calibre du câble et de la température nominale de son isolation.

6 RACCORDEMENTS ÉLECTRIQUES

⚠ AVERTISSEMENT

Coupez le courant au tableau de distribution et verrouillez le disjoncteur pour éviter que le courant ne soit remis accidentellement. S'il n'est pas possible de bloquer le disjoncteur, posez un avertissement bien visible, comme une étiquette, sur le tableau de distribution.

Placez le four sur une table ou sur une plateforme à la hauteur de l'ouverture d'installation. Pour un four simple, la plateforme doit pouvoir supporter un poids de 220 lb (99 kg); pour un four double ou combiné, la plateforme doit pouvoir supporter un poids de 400 lb (181 kg). Raccordez le câble souple à la boîte de jonction électrique comme illustré ci-dessous*. Positionnez le câble de manière à ce qu'il se trouve derrière l'appareil en formant une boucle lorsque le four est installé**. Vous devez acheter un collier de serrage approprié pour terminer le raccordement du câble à la boîte de jonction.



* Les fours sont équipés d'un câble de 40 po ou de 54 po de long. Si un câble plus long est souhaité, il peut y en avoir un disponible pour votre modèle. Pour vérifier la disponibilité des pièces ou en commander, appelez GE Appliances au 1-800-GE-CARES.

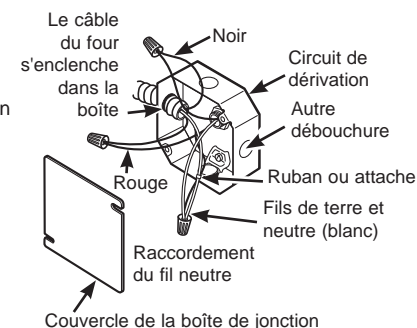
** Four combiné avec four à micro-ondes supérieur : Il est recommandé d'installer le câble à travers le côté de la boîte de jonction comme indiqué dans l'illustration ci-dessus.

7 RACCORDEMENT À UN CIRCUIT DE DÉRIVATION À TROIS CONDUCTEURS

REMARQUE : Si les fils de la résidence sont des conducteurs en aluminium, voir les **AVERTISSEMENTS** dans la section 5 sur les exigences électriques.

Lorsque vous faites un raccordement à un circuit de dérivation à trois conducteurs, si les codes locaux le permettent :

- À l'aide d'un capuchon de connexion, raccordez le conducteur de terre du four avec le fil neutre (blanc) au fil neutre du circuit de dérivation (blanc ou gris).
- À l'aide de capuchons de connexion, raccordez les fils rouge et noir du four aux fils rouge et noir du circuit de dérivation, conformément aux codes locaux.
- Installez un collier de détendeur approprié.
- Installez le couvercle de la boîte de jonction.

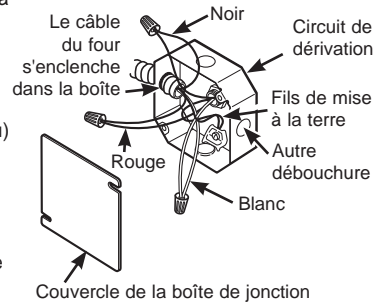


8 RACCORDEMENT À UN CIRCUIT DE DÉRIVATION À QUATRE CONDUCTEURS

REMARQUE : Si les fils de la résidence sont des conducteurs en aluminium, voir les AVERTISSEMENTS dans la section 5 sur les exigences électriques.

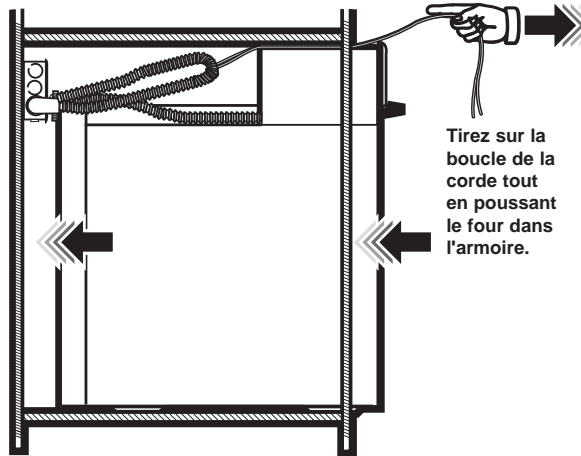
Lorsque vous faites un raccordement à un circuit de dérivation à quatre conducteurs, si les codes locaux le permettent :

- Détachez le fil neutre (blanc) des autres fils. Au besoin, coupez le fil neutre (blanc) et dénudez-le à nouveau pour exposer la bonne longueur de conducteur.
- Attachez le fil de terre de l'appareil (fil vert ou fil de cuivre nu) conformément aux codes locaux.
- À l'aide d'un capuchon de connexion, raccordez le fil neutre (blanc) du four au fil neutre (blanc ou gris) du circuit de dérivation, conformément aux codes locaux.
- À l'aide de capuchons de connexion, raccordez les fils rouge et noir du four aux fils rouge et noir du circuit de dérivation, conformément aux codes locaux.
- Installez un collier de détendeur approprié.
- Installez le couvercle de la boîte de jonction.



9 GLISSER LE FOUR DANS L'OUVERTURE

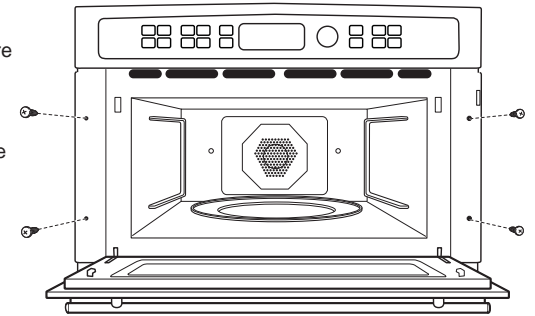
- Avec une corde de 36 po (91 cm), faites une boucle (**ne pas nouer**) autour du câble avant de faire glisser le four dans l'ouverture. Cela évitera que le câble ne tombe derrière le four.
- Soulevez le four dans la découpe de l'armoire en utilisant l'ouverture du four pour le tenir. Poussez doucement en appuyant sur le cadre avant du four. Ne poussez pas en appuyant sur les rebords extérieurs.
- Lorsque vous faites glisser le four vers l'arrière, tirez sur la corde pour que le câble repose sur le dessus du four en une boucle naturelle. Pour un four combiné, tirez le câble de sorte qu'il se trouve au-dessus du four inférieur sur le côté gauche (vu de l'avant).
- Lorsque vous êtes sûr que le câble n'obstrue pas le passage du four, faites glisser ce dernier de 3/4 dans l'ouverture. Retirez la corde en tirant sur l'une de ses extrémités.



Tirez sur la boucle de la corde tout en poussant le four dans l'armoire.

10 A INSTALLER LES VIS DE MONTAGE (FOUR SUPÉRIEUR SUR LES FOURS COMBINÉS)

- Faites glisser le four dans l'ouverture de manière à ce que les brides latérales et le tableau de commande soient contre le cadre de l'armoire. Assurez-vous que le four est centré dans l'ouverture.
- Ouvrez la porte, placez le plateau tournant dans le four et vérifiez que le plateau est de niveau.
- Percez des avant-trous à travers les brides latérales.
- Vissez les vis de couleur assortie dans les brides latérales. Nous recommandons de serrer les vis à la main.



10 B INSTALLER LES VIS DE MONTAGE (FOURS THERMIQUES)

⚠ AVERTISSEMENT

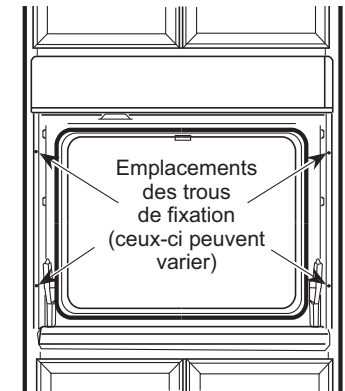
Des vis de montage doivent être utilisées. Si cette consigne n'est pas respectée, le four peut tomber de l'armoire et provoquer de graves blessures.

REMARQUE : Lors des étapes de l'installation du four, assurez-vous qu'aucun dommage n'est fait au joint du four qui tapisse le bord de la cavité du four.

REMARQUE : Avant de percer les avant-trous, veillez à ce que le four soit poussé aussi loin que possible dans l'ouverture et centré.

REMARQUE : Si l'armoire est en panneaux de particules, vous devez utiliser des vis pour panneaux de particules n° 8 x 3/4 po. Vous pouvez les trouver dans n'importe quelle quincaillerie.

- Percez à travers les trous de fixation (supérieurs et inférieurs) de la garniture latérale des trous pour les vis de montage n° 8 fournies.
- Fixez le four à l'armoire à l'aide des vis fournies.



Les vis doivent être à au moins 1/4 po (6 mm) po de l'avant de la découpe.

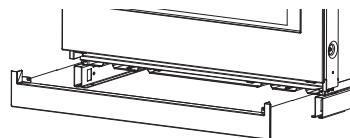
Certains modèles sont munis de poignées personnalisées. Veuillez suivre les instructions fournies avec les poignées pour une installation correcte.

11 INSTALLATION DE LA GARNITURE INFÉRIEURE

Une fois le four installé, fixez la garniture inférieure à travers ses trous de montage dans la bride verticale avant à l'aide des deux vis de garniture fournies. Le rebord inférieur de la garniture doit être placé sous la bride du conduit d'air inférieur.



Installations d'un four encastré simple, combiné et double sans piédestal

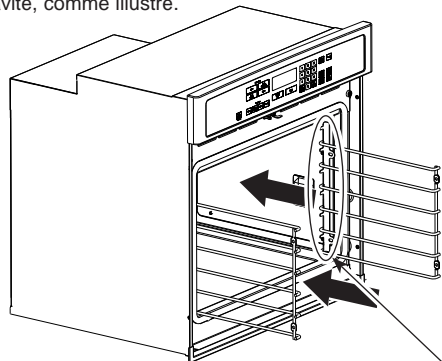


Installations d'un four encastré simple, combiné et double avec piédestal

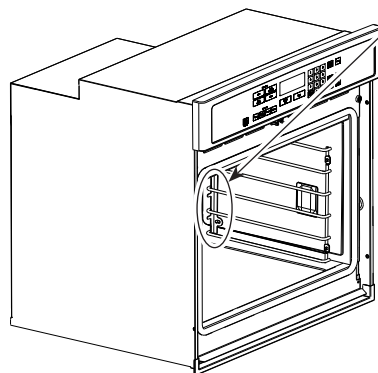
IMPORTANT : Si le four est un jour retiré de l'armoire ou s'il doit être sorti pour être réparé, il faut d'abord retirer la garniture inférieure pour éviter de l'endommager.

12 INSTALLATION DU GUIDE DES GRILLES DU FOUR (SI APPLICABLE)

- Localisez le matériel de montage du guide des grilles du four inclus.
- Placez les guides de grille du four sur les montants de la paroi de la cavité avec les montants métalliques vers l'arrière de la cavité, comme illustré.
- Installez les guides à l'aide des 8 écrous de montage fournis.



Montants métalliques à installer à l'arrière de la cavité

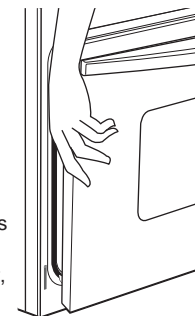


Guide des grilles du four en place

13 REMPLACEMENT DE LA PORTE THERMIQUE DU FOUR

REMARQUE : La porte du four est très lourde. Vous aurez peut-être besoin d'aide afin de la soulever assez haut pour la faire glisser dans les encoches de charnière. Ne soulevez pas la porte par sa poignée.

- Soulevez la porte du four en la saisissant des deux côtés.
- Avec la porte au même angle que la position de retrait (environ 1 à 2 po [2,5 à 5,1 cm] de la position fermée), placez le bras de charnière dans le fond de l'encoche de la charnière. Les bras de charnière doivent être bien en place, dans le fond des encoches.
- Ouvrez complètement la porte. Si la porte ne s'ouvre pas complètement, les bras des charnières ne reposent pas correctement au fond des encoches.
- Poussez les verrous de charnière contre le cadre avant de la cavité du four, en position verrouillée.
- Remplacez le support de charnière, le cas échéant, pour assurer le bon fonctionnement de la porte.
- Fermez la porte du four.

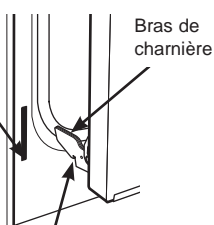


Charnière en position de verrouillage

Bras de charnière inséré correctement dans l'encoche

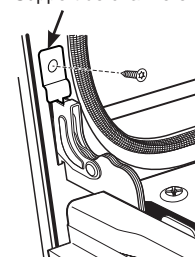


Fond de l'encoche



Encoche du bras de charnière

Support de charnière



14 LISTE DE VÉRIFICATION POUR L'INSTALLATION

- Vérifiez que le disjoncteur est bien fermé (RÉENCLENCHÉ) ou que les fusibles ont été remis en place.
- Assurez-vous que l'alimentation électrique fonctionne dans le bâtiment.
- Vérifiez que tout le matériel d'emballage et le ruban ont été enlevés. Si vous n'enlevez pas tout ce matériel, vous pourriez endommager l'appareil une fois qu'il aura été mis en fonction et que les surfaces auront chauffé.
- Retirez tous les articles de l'intérieur du four.
- Assurez-vous que les vis de montage sont installées et alignées avec la garniture latérale (voir la section 10).
- Vérifiez que la garniture inférieure est installée correctement (voir la section 11).
- Assurez-vous que l'ouverture du conduit d'air au bas du four est libre de toute obstruction.
- Vérifiez que les guides des grilles du four (le cas échéant) sont correctement installés et que les grilles du four fonctionnent correctement.
- Le cas échéant, installez les poignées en suivant leur instructions d'installation et vérifiez que les deux extrémités sont bien fixées.

LISTE DE VÉRIFICATION DU FONCTIONNEMENT

- Mettez le four sous tension (reportez-vous à votre Manuel de l'utilisateur). Vérifiez que les éléments de cuisson et de gril, ainsi que toutes les fonctions de cuisson, fonctionnent correctement.
- Consultez votre Manuel de l'utilisateur pour la liste de dépannage.
- Vérifiez que toutes les commandes du four sont en position OFF (arrêt) avant de vous en éloigner.

Instrucciones de instalación

Hornos de pared eléctricos empotrados de 27" y 30"

¿Preguntas? Comuníquese con nosotros al 1.800.432.273 o visita GEAppliances.com.
En Canadá, llame 1.800.561.3344 o visita GEAppliances.ca.

ANTES DE COMENZAR

Lea estas instrucciones por completo y con detenimiento.

- **IMPORTANTE** – Guarde estas instrucciones para el uso de inspectores locales.
- **IMPORTANTE** – Cumpla con todos los códigos y ordenanzas vigentes.
- **Nota al instalador** – Asegúrese de dejar estas instrucciones con el Consumidor.

- **Nota al consumidor** – Conserve estas instrucciones para referencia futura.
- **Nivel de destreza** – La instalación de este aparato requiere un instalador o electricista calificados.
- El instalador tiene la responsabilidad de efectuar una instalación adecuada.
- La garantía no cubre las fallas del producto provocadas por una instalación incorrecta.
- Este producto sólo se debe usar en áreas interiores.

ATENCIÓN INSTALADOR: Todos los hornos de pared eléctricos deben contar con cableado de conexión permanente (cableado directo) dentro de una caja de conexiones aprobada. En estos productos NO se permite la conexión del tipo "enchufe y receptáculo".

PARA SU SEGURIDAD:

⚠ ADVERTENCIA

Antes de comenzar la instalación, desconecte la energía del panel de servicio y bloquee los medios de desconexión para evitar el accionamiento de la energía de manera accidental. Cuando los medios de desconexión de servicio no pueden bloquearse, coloque sobre el panel de servicio un dispositivo de advertencia bien visible, como una etiqueta.

El horno debe instalarse bien en un gabinete que se encuentre firmemente sujeto a la estructura de la casa. Si se coloca peso sobre la puerta del horno, éste puede volcarse y provocar lesiones. Nunca permita que nadie se suba, siente, pare o cuelgue de la puerta del horno.

Verifique que el revestimiento de las paredes, mostradores y gabinetes ubicados alrededor del horno puedan soportar el calor (hasta 200°F [93,3°C]) generado por el horno.

MATERIALES QUE PUEDE NECESITAR

Caja de conexiones
Tapones de alambre
Abrazadera de alivio de tensión para conducto de 1/2"
36" (91 cm) de Cuerda

HERRAMIENTAS NECESARIAS

Broca de perforadora de 1/8" y perforadora eléctrica o de mano
Destornillador de T20
Destornillador de estrella
Alicates pelacables
Llave de Tuercas de 7/16" (hornos combinados)
Llave de Tuercas de 1/4" (hornos combinados)

1 QUITE LOS MATERIALES DE EMPAQUE

No quitar los materiales de empaque puede provocar daños al electrodoméstico. Quite todas las partes de empaque del horno, bandejas y elementos de calentamiento. Quite la película protectora y las etiquetas de la puerta exterior y panel de control. También, quite los elementos plásticos de los rebordes y panel, toda la cinta que cubre el horno y los tornillos de envío que fijan el horno a la almohadilla base. Abra la puerta del horno y quite el material informativo y las bandejas del horno. Quite el reborde inferior de la parte superior del horno. Se colocará al final del proceso de instalación. El reborde se encuentra envuelto en forma separada y adherido en la parte superior de la unidad. Retire los rieles del pedestal de la caja que está aparte y déjelos a un costado (Hornos con Pared Doble de 30° Únicamente).

Tenga en cuenta las opciones de reciclaje del material de embalaje de su electrodoméstico.

INFORMACIÓN DE DISE

INSTALACIONES DE HORNO ÚNICO

El horno único puede instalarse solo en un gabinete o sobre un cajón calentador. El horno único también puede ser instalado uno al lado del otro, debajo de una mesada, o debajo de superficies de cocción específicas. Vea la etiqueta de la parte superior del horno para consultar los modelos aprobados.

INSTALACIONES DE HORNOS DOBLES Y COMBINADOS

Un horno doble o combinado puede ser instalado en un gabinete solo o sobre un cajón para calentar. Vea la etiqueta de la parte superior del horno para consultar los modelos aprobados.

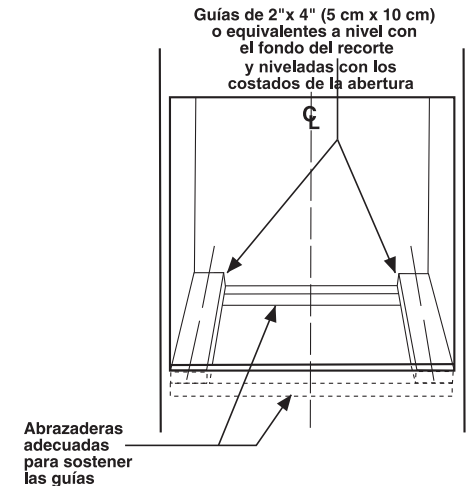
IMPORTANTE: Siempre consulte las instrucciones de instalaciones individuales enviadas con cada producto para requerimientos específicos.

2 PREPARE LA ABERTURA

NOTA: Si el gabinete no cuenta con un fondo sólido, deben instalarse dos abrazaderas o guías para soportar el peso del horno. Para hornos únicos, las guías o abrazaderas deben soportar 220 lbs (99 kgs). Para hornos dobles y combinados, las guías o abrazaderas deben soportar 400 lbs (181 kgs).

NOTA: Si marcas, imperfecciones o la abertura resultaran visibles sobre el horno instalado, es posible que sea necesario agregar cuñas de madera debajo de las correderas hasta que las marcas o aberturas estén cubiertas.

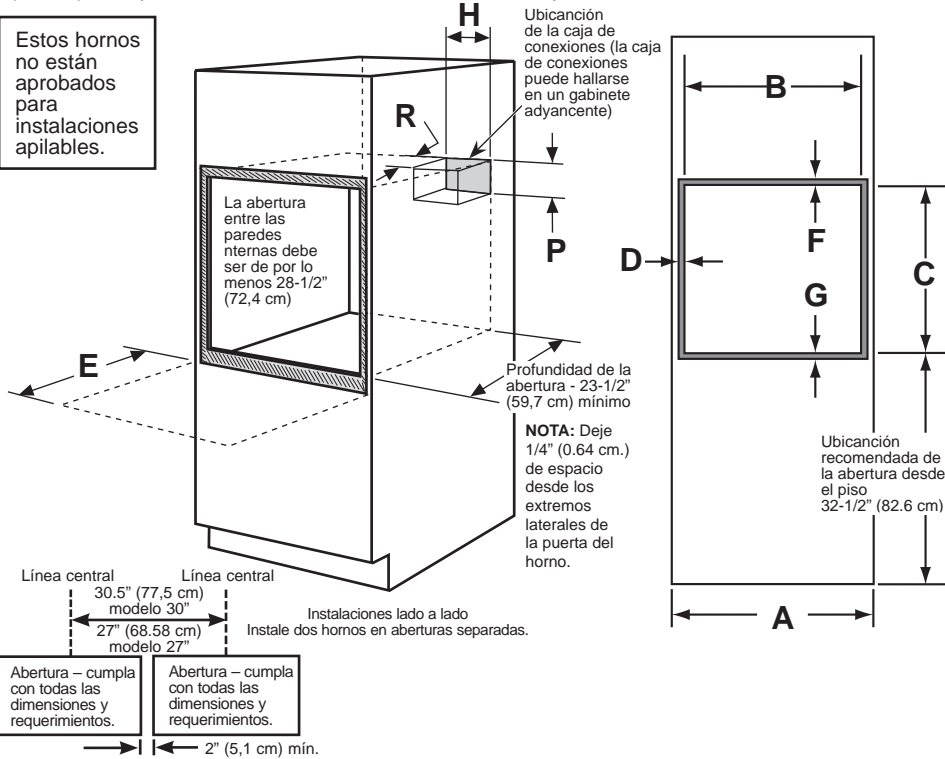
NOTA: Si el gabinete no cuenta con un armazón frontal y los lados son menores a un grosor de 3/4" (1,9 cm), coloque cuñas uniformemente sobre ambos lados para establecer al ancho de la abertura.



2 A ABERTURA PARA HORNOS ÚNICOS EN UN GABINETE DE PARED

NOTA: Si el gabinete no cuenta con un armazón frontal y los lados son menores a un grosor de 3/4" (1,9 cm), coloque cuñas uniformemente sobre ambos lados para establecer al ancho de la abertura.

Estos hornos no están aprobados para instalaciones apilables.

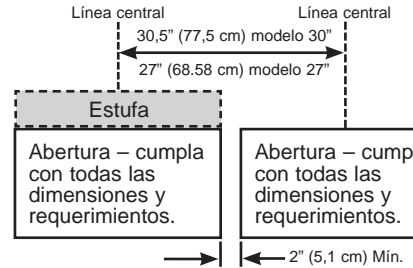
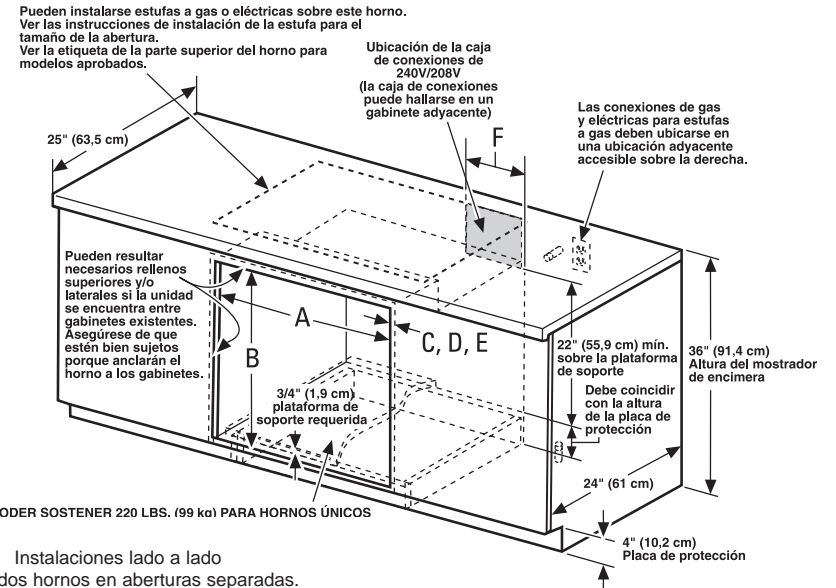


Dimensión	Descripción de la dimensión	Horno único de 27"	Horno único de 30"
A	Ancho del gabinete	27" (68,6 cm)	30" (76,2 cm)
B	Ancho de la abertura	25" (63,5 cm) mín. 25 1/4" (64,1 cm) máx.	28 1/2" (72,4 cm) mín. 28 3/8" (72,7 cm) máx.
C	Altura de la abertura	27 5/8" (70,2 cm) mín. 28 1/8" (71,4 cm) máx.	27 1/4" (69,2 cm) mín. 27 3/16" (69,4 cm) máx.
D	Espacio desde la abertura - extremos laterales*	1" (2,5 cm)	1 1/16" (1,75 cm)
E	Espacio respecto de esquinas adyacentes, cajones, paredes, etc., cuando la puerta está abierta	23" (50,8 cm) mín.	23" (53,3 cm) mín.
F	Espacio desde la abertura - parte superior*	1" (2,5 cm) mín.	1" (2,5 cm) mín. (1 1/4" (3,2 cm) para PT9050, ZET1S y ZET1P)
G	Espacio desde la abertura - parte inferior*	1" (2,5 cm) mín.	1 1/4" (3,2 cm)
H	Ubicación de la caja de conexiones	8 3/4" (22,2 cm) máx sólo lado derecho	9 1/2" (24,1 cm) máx. sólo lado derecho
P	Ubicación de la caja de conexiones	5-1/4" (13,34 cm) máx.	5-1/4" (13,34 cm) máx.
R	Ubicación de la caja de conexiones	2-1/2" (6,35 cm) máx.	2-1/2" (6,35 cm) máx.

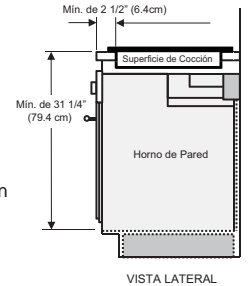
* Se refiere al espacio mínimo requerido para la instalación del horno de pared y no refleja las dimensiones reales del producto.

2 B ABERTURA PARA HORNOS ÚNICOS -BAJO EL MOSTRADOR DE ENCIMERA

NOTA: Estos hornos sólo pueden instalarse bajo los modelos específicos como se indica en la etiqueta de la unidad.



IMPORTANTE: Mantenga una distancia mínima de 31 1/4" desde la superficie superior de la mesada hasta la plataforma del horno de pared, a fin de asegurar que la superficie de cocción y el horno de pared no interfieran uno con el otro (vea la figura).



NOTA: Una estufa puede centrarse sobre cualquier horno en la instalación de lado a lado.

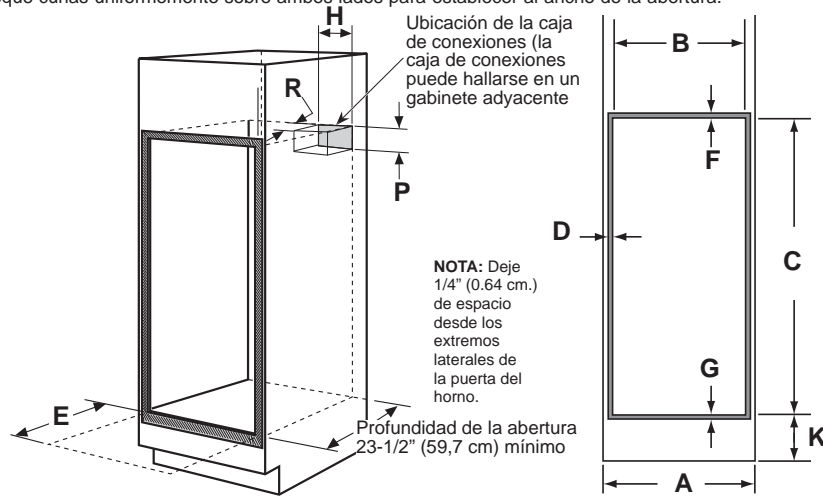
Dimensión	Descripción de la dimensión	Horno único de 27"	Horno único de 30"
A	Ancho del gabinete	25" (63,5 cm) mín. 25 1/4" (64,1 cm) máx.	28 1/2" (72,4 cm) mín. 28 3/8" (72,7 cm) máx.
B	Altura de la abertura	27 5/8" (70,2 cm) mín. 28 1/8" (71,4 cm) máx.	27 1/4" (69,2 cm) mín. 27 3/16" (69,4 cm) máx.
C	Espacio desde la abertura - parte superior*	1" (2,5 cm)	1" (2,5 cm) (1 1/4" (3,2 cm) para PT9050, ZET1S y ZET1P)
D	Espacio desde la abertura - parte inferior*	1" (2,5 cm)	1 1/4" (3,2 cm)
E	Espacio desde la abertura - extremos laterales*	1" (2,5 cm)	1 1/16" (1,75 cm)
F	Ubicación de la caja de conexiones	8 3/4" (22,2 cm) máx. sólo lado derecho	9 1/2" (24,1 cm) máx. sólo lado derecho

* Se refiere al espacio mínimo requerido para la instalación del horno de pared y no refleja las dimensiones reales del producto.

Continúe en la sección 4.

2 C ABERTURA PARA HORNOS DOBLES (2 HORNOS TÉRMICOS)

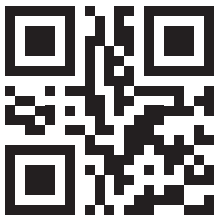
NOTA: Si el gabinete no cuenta con un armazón frontal y los lados son menores a un grosor de 3/4" (1,9 cm), coloque cuñas uniformemente sobre ambos lados para establecer al ancho de la abertura.



Dim.	Descripción	Horno doble de 27"	Horno doble de 30" con pedestal	Horno doble de 30" sin pedestal
A	Ancho del gabinete	27" (68,6 cm)	30" (76,2 cm)	30" (76,2 cm)
B	Ancho de la abertura	25" (63,5 cm) mín. 25 1/4" (64,1 cm) máx.	28 1/2" (72,4 cm) mín. 28 5/8" (72,7 cm) máx.	28 1/2" (72,4 cm) mín. 28 5/8" (72,7 cm) máx.
C	Altura de la abertura	49 1/16" (126,2 cm) mín. 50 1/8" (127,3 cm) máx.	51 3/16" (131,6 cm) mín. 51 5/16" (131,9 cm) máx.	50 1/4" (127,64 cm)
D	Espacio desde la abertura – extremos laterales*	1" (2,5 cm)	1 1/16" (1,75 cm)	1 1/16" (1,75 cm)
E	Espacio respecto de esquinas adyacentes, cajones paredes, etc., cuando la puerta está abierta	23" (50,8 cm) mín.	23" (53,3 cm) mín.	23" (53,3 cm) mín.
F	Espacio desde la abertura – parte superior*	1" (2,5 cm) mín.	1" (2,5 cm) mín. (1 1/4" (3,2 cm) para PT9550, ZET2S y ZET2P)	1" (2,5 cm) mín. (1 1/4" (3,2 cm) para PT9550, ZET2S y ZET2P)
G	Espacio desde la abertura – parte inferior*	1" (2,5 cm) mín.	1 1/4" (3,2 cm)	1 1/4" (3,2 cm)
H	Ubicación de la caja de conexiones	8 3/4" (22,2 cm) máx. sólo lado derecho	9 1/2" (24,1 cm) máx. sólo lado derecho	9 1/2" (24,1 cm) máx. sólo lado derecho
J	Altura hasta la parte inferior de la caja de conexiones	44" (111,8 cm)	47" (119,4 cm)	47" (119,4 cm)
K	Ubicación recomendada de la abertura desde el piso	13 1/4" (33,7 cm)	12" (30,5 cm)	12" (30,5 cm)
P	Ubicación de la caja de conexiones	5-1/4" (13,34 cm) máx.	5-1/4" (13,34 cm) máx.	5-1/4" (13,34 cm) máx.
R	Ubicación de la caja de conexiones	2-1/2" (6,35 cm) máx.	2-1/2" (6,35 cm) máx.	2-1/2" (6,35 cm) máx.

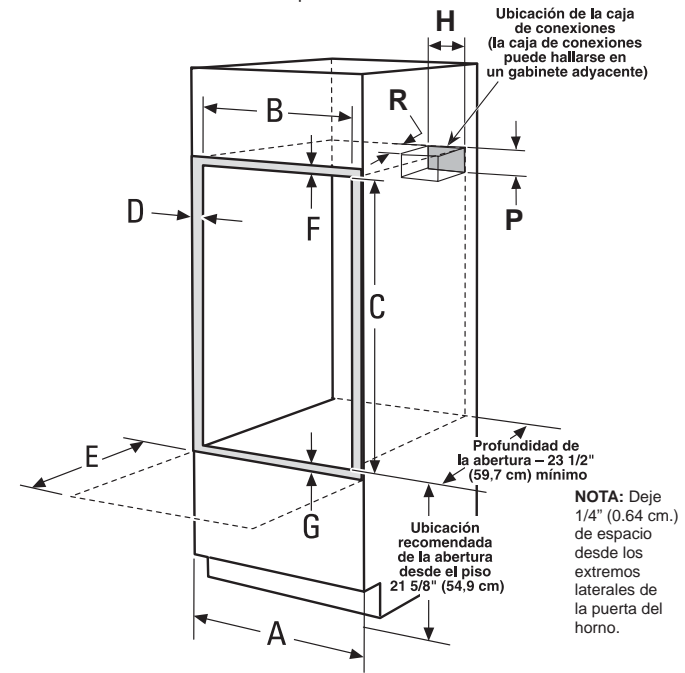
* Se refiere al espacio mínimo requerido para la instalación del horno de pared y no refleja las dimensiones reales del producto.

Continúe en la sección 3.



2 D ESPACIO PARA HORNOS COMBINADOS (CON HORNO MICROONDAS SUPERIOR)

NOTA: Si el gabinete no cuenta con un armazón frontal y los lados son menores a un grosor de 3/4" (1,9 cm), coloque cuñas uniformemente sobre ambos lados para establecer al ancho de la abertura.



Dim.	Descripción	Horno de 27" con microondas	Horno de 30" con microondas
A	Ancho del gabinete	27" (68,6 cm)	30" (76,2 cm)
B	Ancho de la abertura	25" (63,5 cm) mín. 25 1/4" (64,1 cm) máx.	28 1/2" (72,4 cm) mín. 28 5/8" (72,7 cm) máx.
C	Altura de la abertura	41 1/8" (104,5 cm) mín. 41 1/4" (104,8 cm) máx.	42 3/16" (107,2 cm) mín. 42 1/4" (107,3 cm) máx.
D	Espacio desde la abertura – extremos laterales*	1" (2,5 cm)	1 1/16" (1,75 cm)
E	Espacio respecto de esquinas adyacentes, cajones paredes, etc., cuando la puerta está abierta	23" (58,4 cm) mín.	23" (58,4 cm)
F	Espacio desde la abertura – parte superior*	1" (2,5 cm) mín.	1" (2,5 cm) mín.
G	Espacio desde la abertura – parte inferior*	1" (2,5 cm) mín.	1 1/4" (3,2 cm)
H	Ubicación de la caja de conexiones	8 3/4" (22,2 cm) máx. sólo lado derecho	9 1/2" (24,1 cm) máx. sólo lado derecho
P	Ubicación de la caja de conexiones	5-1/4" (13,34 cm) máx.	5-1/4" (13,34 cm) máx.
R	Ubicación de la caja de conexiones	2-1/2" (6,35 cm) máx.	2-1/2" (6,35 cm) máx.

* Se refiere al espacio mínimo requerido para la instalación del horno de pared y no refleja las dimensiones reales del producto.

Continúe en la sección 2E.

2 E CÓMO ASEGURAR EL HORNO MICROONDAS/ ADVANTIUM SUPERIOR AL GABINETE

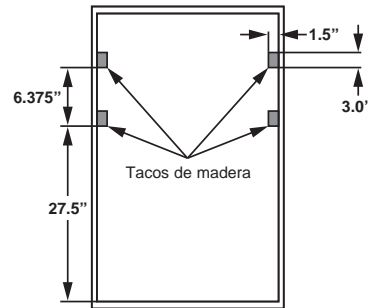
Para hornos dobles como hornos superiores con microondas o Advantium. Asegure un taco de Madera sobre el costado del gabinete, de modo que el horno superior pueda ser asegurado al taco con los tornillos provistos.

Requisitos para el gabinete de 27"

- No se requiere el uso de cuñas (o tacos) cuando el gabinete se encuentre en la condición de ancho mínimo.
- Si el gabinete se encuentra en la condición de ancho máximo, agregue cuñas de madera para llevar el gabinete a la condición de ancho mínimo.

Requisitos para el gabinete de 30"

- No se requiere el uso de cuñas (o tacos) cuando el gabinete se encuentre en la condición de ancho mínimo.
- Si el gabinete se encuentra en la condición de ancho máximo, repare los tacos de madera como se muestra en la ilustración.



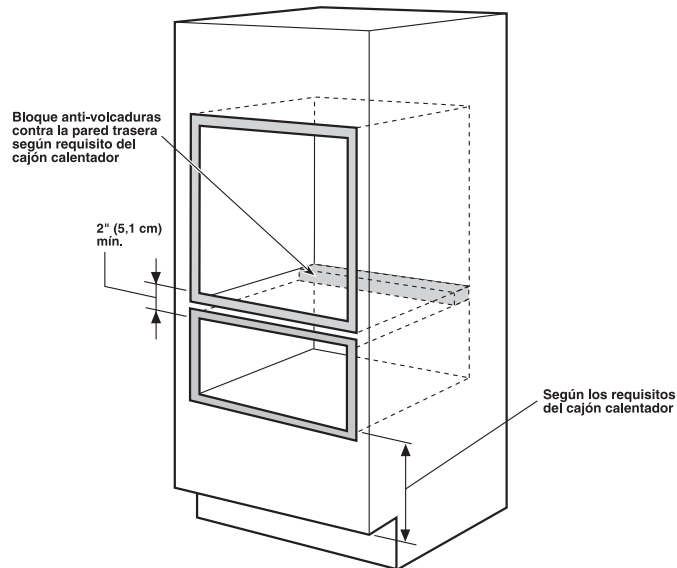
Ubicaciones de los tacos en un gabinete de 30" con la condición de abertura máxima

2 F ABERTURA PARA INSTALACIÓN SOBRE UN CAJÓN CALENTADOR

NOTA: Instale el horno sólo con los modelos específicos listados en la etiqueta ubicada en la parte superior del horno.

NOTA: Pueden necesitarse espacios adicionales entre las aberturas. Verifique que los soportes del horno sobre la ubicación de cajón calentador no obstruyan la profundidad y altura interiores requeridas.

Cuando instale un cajón calentador debajo de un horno único o doble, debe instalarse un tomacorriente separado de 120V, 60 HZ con adecuada conexión a tierra. Consulte las instrucciones de instalación enviadas con el cajón calentador para requisitos específicos de instalación.



Continúe a la Sección 3 para conocer detalles del DWO con Pedestal. De otra forma, continúe a la Sección 4.

3 A DETERMINACIÓN SOBRE CUÁNDO USAR EL PEDESTAL (HORNO DOBLES DE 30" ÚNICAMENTE)

Cuándo usar el Pedestal

Al reemplazar un antiguo horno de pared doble de 30" de GE Appliances por un modelo nuevo de GE Appliances. Altura de la abertura = 51 13/16" a 51 15/16". Ésta es la altura de la abertura tradicional.

Cuándo NO usar el Pedestal

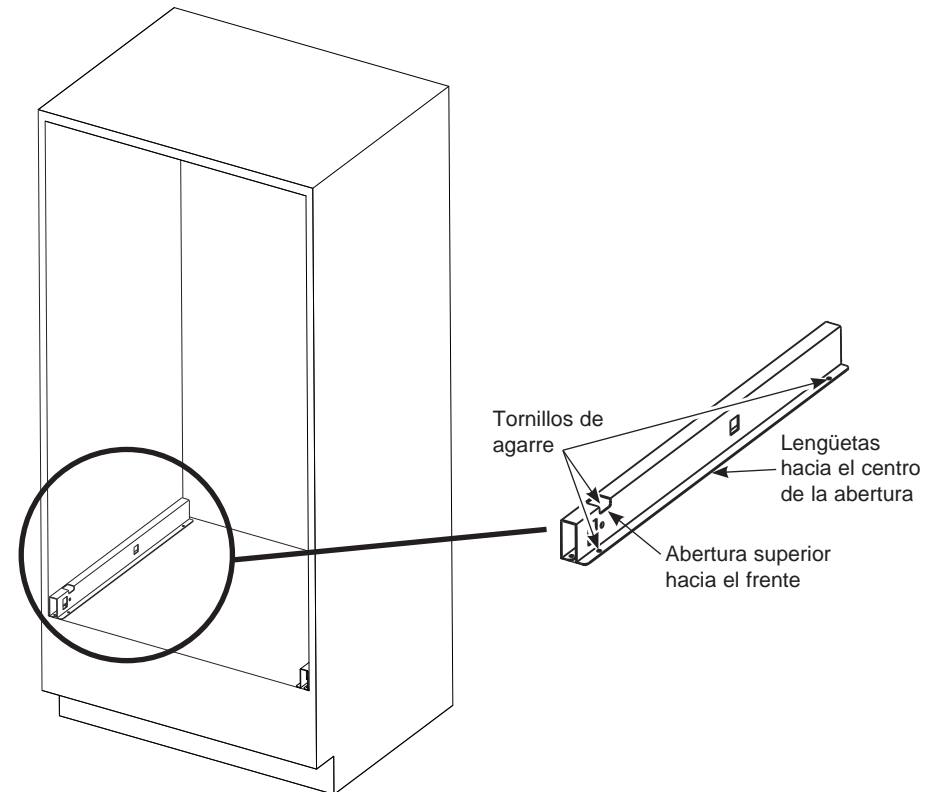
Al reemplazar un horno de pared doble de 30" de otro fabricante (tal como Whirlpool) por un nuevo horno de pared doble de 30" de GE Appliances. Altura de la abertura = 50 1/4". Usted deberá verificar que la abertura existente coincida con la dimensión de 50 1/4".

Si el nuevo horno de pared doble de 30" de GE Appliances está siendo instalado en una edificación nueva (es decir, no como un reemplazo), entonces se recomienda que en la instalación se use el pedestal.

3 B INSTALACIÓN DEL RIEL CON PEDESTAL (30" HORNO DOBLES ÚNICAMENTE)

A. Posicione los rieles del pedestal con la abertura superior hacia el frente de la abertura y las lengüetas de la parte inferior apuntando hacia el centro. Ubique cada riel sobre el piso o la corredera del gabinete, levemente hacia dentro desde el costado del gabinete. Asegúrese de que el frente de cada riel no sobresalga más allá del frente de la abertura del gabinete.

B. Realice agujeros de prueba y adjunte los rieles a la rodadura o a la parte inferior del gabinete con el equipo provisto.



4 A REMOCIÓN DE LA PUERTA (RECOMENDADO PARA HORNOS TÉRMICOS)

⚠ ADVERTENCIA

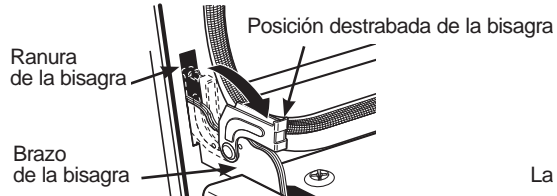
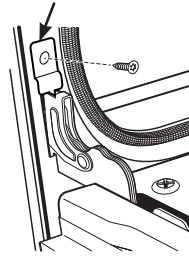
La puerta del horno microondas en un horno combinado nunca debe ser retirada, a menos que esto sea realizado por un técnico certificado.

NOTA: La remoción de la puerta no es un requerimiento de la instalación del producto, pero es una comodidad adicional.

Para quitar la puerta:

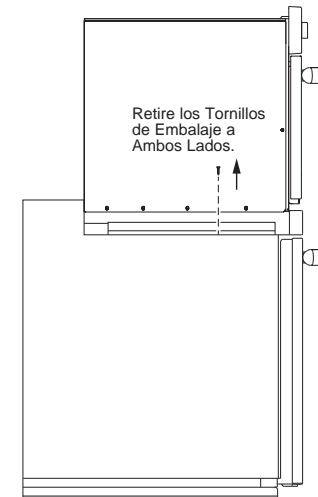
- Abra la puerta del horno en su totalidad.
- Retire el soporte de la bisagra, si se cuenta con el mismo, del marco frontal y déjelo a un lado. El soporte de la bisagra deberá ser reemplazado, si se cuenta con el mismo, para un funcionamiento correcto de la puerta cuando está última sea reinstalada.
- Presione ambas trabas de la bisagra hacia abajo en dirección del marco de la puerta hasta destrabarlas. Para esto puede hacer falta un destornillador de lados planos. **¡NO LEVANTE LA PUERTA DE LA MANIJA!**
- Coloque las manos sobre ambos lados y cierre la puerta del horno hasta la posición de remoción (aproximadamente 1"-2" [2,5 cm-5,1 cm] de la posición de cierre).
- Levante la puerta hasta que los brazos de la bisagra hayan salido de las ranuras. **NOTA:** La puerta del horno es muy pesada. Asegúrese de tener un agarre firme antes de levantar la puerta del horno de sus bisagras. Tenga cuidado una vez que haya quitado la puerta. No deposite la puerta sobre la manija. Esto puede provocar abolladuras o rayones.

Soporte de la Bisagra



4 B RETIRO DE LOS TORNILLOS DE EMBALAJE (PARA HORNO SUPERIOR COMBINADO DE 30" ÚNICAMENTE)

Los tornillos de embalaje deben ser retirados como se muestra en la ilustración. Necesitará un destornillador de 1/4".



5 REQUISITOS ELÉCTRICOS

⚠ ADVERTENCIA

Este aparato debe contar con una adecuada conexión a tierra.

⚠ ADVERTENCIA

Para prevenir un incendio o descarga eléctrica, no utilice un cable de extensión con este aparato.

⚠ ADVERTENCIA

Para prevenir una descarga eléctrica, quite el fusible o abra el interruptor de circuitos antes de comenzar la instalación.

⚠ ADVERTENCIA

Una conexión inadecuada de cableado doméstico de aluminio con cables de cobre puede generar un peligro eléctrico o un incendio. Sólo use conectores diseñados para unir cobre con aluminio y siga al pie de la letra el procedimiento recomendado del fabricante.

Recomendamos que un electricista calificado conecte el cableado eléctrico de su aparato. Después de la instalación, solicite al electricista que le indique cómo desconectar la energía del aparato.

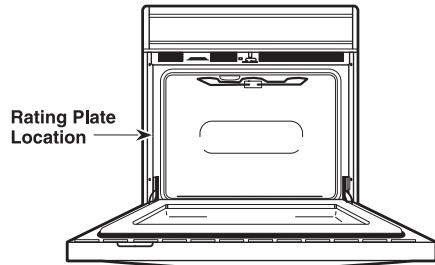
Usted debe usar un sistema eléctrico de fase única de 120/208 VAC o 120/240 VAC de 60 hercios. Si tiene una conexión con cableado de aluminio, deben utilizarse conectores adecuadamente instalados para utilizar con cableado de aluminio.

Vigente desde el 1 de enero de 1996, el Código Eléctrico Nacional requiere que las nuevas construcciones (no existentes) utilicen una conexión de cuatro conductores a un horno eléctrico. Cuando instale un horno eléctrico en una construcción nueva, una casa rodante, un vehículo recreativo o un área donde los códigos locales prohíben la conexión a tierra a través de un conductor neutral, consulte la sección sobre conexiones en circuito derivado de cuatro conductores.

Consulte a las empresas de servicio público sobre los códigos eléctricos que se aplican en su área. No realizar el cableado de su horno de acuerdo con los códigos vigentes puede provocar una situación peligrosa. Si no existen códigos locales, el cableado y fusibles de su horno deben cumplir con el Código Eléctrico Nacional, NFPA N° 70, última edición, disponible en National Fire Protection Association (Asociación Nacional de Protección contra Incendios).

5 REQUISITOS ELÉCTRICOS (CONT.)

Este aparato debe recibir el voltaje y frecuencia adecuados, y debe conectarse a un circuito derivado individual con adecuada conexión a tierra, protegido por un interruptor de circuitos o fusible. Ver la placa de clasificación ubicada en el armazón del horno para determinar la clasificación del producto.



Rating Plate Location

La placa de clasificación se encuentra en el reborde lateral del horno.

Utilice la tabla de abajo para determinar la protección de circuito dedicado mínima recomendada:

Clasificación de KW 240V	Clasificación de KW 208V	Tamaño de circuito recomendado (dedicado)
≤4.8 KW	≤4.1 KW	20 Amp
4.9 KW–7.2 KW	4.2 KW–6.2 KW	30 Amp
7.3 KW–9.6 KW	6.3 KW–8.3 KW	40 Amp
9.7 KW–12.0 KW	8.4 KW–10.4 KW	50 Amp

NO acorte el conducto flexible. La abrazadera del alivio de tensión del conducto debe estar bien sujeta a la caja de conexiones y el conducto flexible debe estar bien sujeto a la abrazadera. Si el conducto flexible no entra dentro de la abrazadera, no instale el horno hasta obtener una abrazadera del tamaño adecuado.

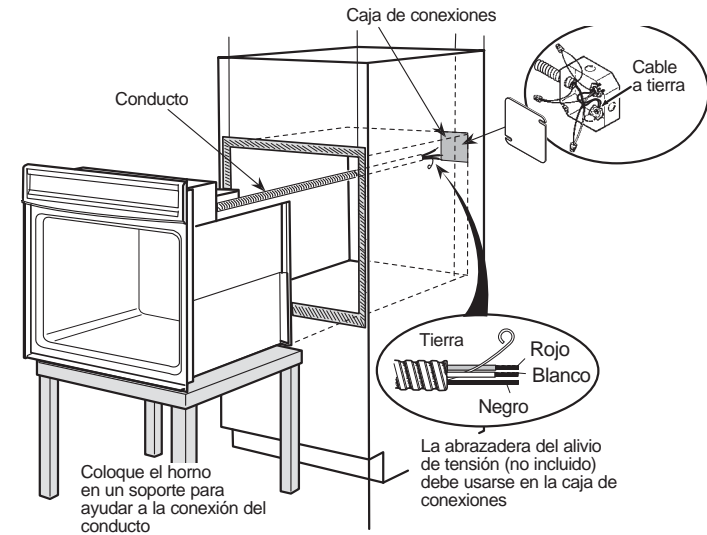
Los 3 cables de energía suministrados con este aparato son adecuados para conexiones con cableados domésticos de calibre mayores. La aislación de estos 3 cables está clasificada a temperaturas mucho más elevadas que la clasificación del cableado doméstico. La capacidad de transmitir corriente del conductor está determinada por el calibre del cable y la clasificación de temperatura de la aislación alrededor del cable.

6 REALICE LAS CONEXIONES ELÉCTRICAS

⚠ ADVERTENCIA

Desconecte la energía del panel de servicio y bloquee los medios de desconexión para evitar el accionamiento de la energía de manera accidental. Cuando los medios de desconexión de servicio no pueden bloquearse, coloque sobre el panel de servicio un dispositivo de advertencia bien visible, como una etiqueta.

Coloque el horno sobre una mesa o plataforma en forma nivelada con la abertura. Para un horno único, la plataforma debe soportar 220 lbs. (99 kg); para un horno doble o combinado, la plataforma debe soportar 400 lbs. (181 kg). Conecte el conducto flexible a la caja de conexiones eléctrica como se indica abajo*. Posicione el conducto de modo tal que se apoye detrás de la unidad en un círculo natural cuando el horno sea instalado.** Tendrá que comprar una abrazadera para alivio de tensión apropiada para completar la conexión del conducto a la caja de conexiones.



Coloque el horno en un soporte para ayudar a la conexión del conducto

La abrazadera del alivio de tensión (no incluido) debe usarse en la caja de conexiones

*Los hornos vienen equipados con un conducto de 40" o 54" de longitud. Si desea un conducto más largo, puede haber uno disponible para su modelo. Para verificar la disponibilidad o solicitar piezas, llame a GE Appliances al 800.GE.CARES.

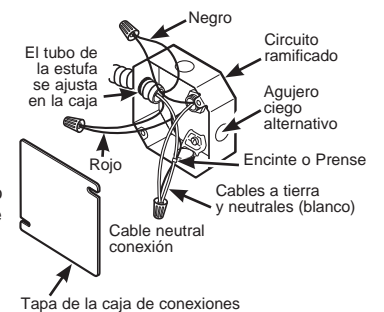
**Horno Combinado con horno microondas superior – se recomienda instalar el conducto a través del costado de la caja de empalmes, como se muestra en la ilustración más arriba.

7 CONEXIÓN DE CIRCUITO DERIVADO DE TRES CONDUCTORES

NOTA: Si los cables del hogar poseen conductores de aluminio, ver la ADVERTENCIA de la sección 5, Requisitos eléctricos.

Cuando conecte un circuito derivado de tres conductores, si lo permiten los códigos locales:

- Conecte el conductor de conexión a tierra junto con el cable neutro (blanco) al neutro del circuito de empalmes (de color blanco o gris), usando una tuerca para cables.
- Conecte el cable rojo del horno al cable rojo del circuito derivado y el cable negro del horno al cable negro del circuito derivado de acuerdo con los códigos locales, utilizando tapones de alambre.
- Instale una abrazadera adecuada de alivio de tensión.
- Instale la tapa de la caja de conexiones.

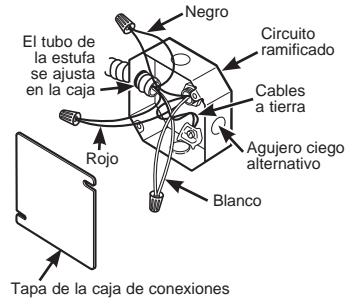


8 CONEXIÓN DE CIRCUITO DERIVADO DE CUATRO CONDUCTORES

NOTA: Si los cables domésticos son conductores de aluminio, ver la ADVERTENCIA de la sección 5, Requisitos eléctricos.

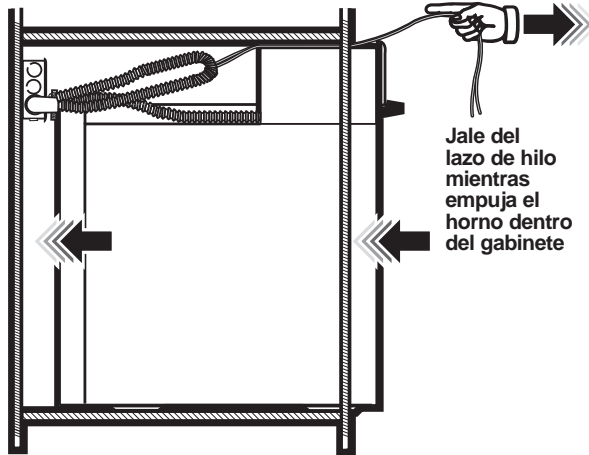
Cuando conecte un circuito derivado de cuatro conductores, si lo permiten los códigos locales:

- Evite que el conductor neutro (blanco) quede enredado con cualquier otro cable. De ser necesario, corte el conductor neutro (blanco) y luego vuelva a pelar el mismo, a fin de exponer la longitud adecuada del conductor.
- Conecte el cable a tierra del aparato (verde o cobre) de acuerdo con los códigos locales.
- Conecte el cable neutral (blanco) del horno con el neutral de circuito derivado (blanco o gris) de acuerdo con códigos locales, utilizando un tapón de alambre.
- Conecte el cable rojo del horno al cable rojo del circuito derivado y el cable negro del horno al cable negro del circuito derivado de acuerdo con los códigos locales, utilizando tapones de alambre.
- Instale una abrazadera adecuada de alivio de tensión.
- Instale la tapa de la caja de conexiones.



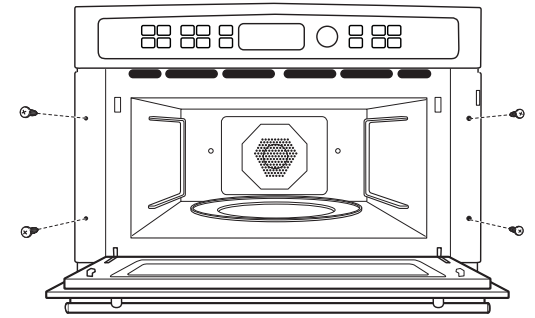
9 DESLICE EL HORNO DENTRO DE LA ABERTURA

- Enrosque (**no ate**) un hilo de 36" (91 cm) alrededor del conducto antes de deslizar el horno en su lugar. Esto no permitirá que el conducto caiga detrás del horno.
- Levante el horno dentro de la abertura del gabinete utilizando el horno abierto como agarre. Con cuidado empuje contra el armazón frontal del horno. No presione sobre los bordes externos.
- A medida que desliza el horno hacia atrás, jale del hilo para que el conducto quede sobre el horno con un lazo natural. Si se trata de un horno combinado, empuje el conducto de modo que se apoye sobre el horno inferior sobre el lado izquierdo (como se ve desde el frente).
- Cuando se asegure de que el conducto no esté en el camino, deslice el horno $\frac{3}{4}$ hacia atrás dentro de la abertura. Quite el hilo jalando de un extremo del lazo.



10 A INSTALE LOS TORNILLOS DE MONTAJE (HORNO SUPERIOR EN HORNOS COMBINADOS)

- Deslice el horno por la distancia que falta dentro de la abertura para que las bridas laterales y el panel de control se encuentren contra el armazón del gabinete. Verifique que el horno esté centrado en la abertura.
- Abra la puerta, coloque una bandeja giratoria dentro del horno y asegúrese de que la bandeja de la unidad esté nivelada.
- Perfore orificios piloto a través de las bridas laterales.
- Introduzca los tornillos de color dentro de las bridas laterales. Se recomienda ajustar los tornillos a mano.



10 B INSTALE LOS TORNILLOS DE MONTAJE (HORNO TÉRMICOS)

⚠ ADVERTENCIA

Deben utilizarse tornillos de montaje. Si no lo hace, el horno puede caer del gabinete, lo que provocaría una lesión grave.

NOTA: Durante el montaje del horno, asegúrese de que no haya daños sobre la junta del horno, que alinea el extremo de la cavidad del horno

NOTA: Antes de perforar los orificios piloto, asegúrese de que el horno se encuentre en la posición final de la abertura y centrado.

NOTA: Si el gabinete es de placa de partículas, deben utilizarse tornillos #8 x $\frac{3}{4}$ " para dicho material. Éstos pueden adquirirse en cualquier ferretería.

- Perfore a través de los orificios de montaje (superiores e inferiores) del reborde lateral para los tornillos de montaje #8 provistos.
- Asegure el gabinete del horno con los tornillos provistos.

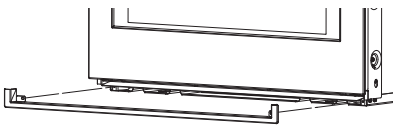


Los tornillos deben hallarse a un mínimo de $\frac{1}{4}$ " (6 mm) desde el frente de la abertura.

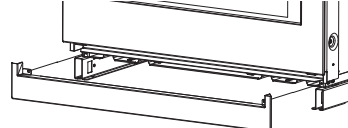
Algunos modelos cuentan con manijas a medida. Por favor, siga las instrucciones para una correcta instalación de las manijas.

11 INSTALACIÓN DEL REBORDE INFERIOR

Una vez instalado el horno, adjunte el borde inferior a través de sus agujeros de montaje frente al soporte vertical, utilizando los dos tornillos con cabeza recortada provistos. El labio de la cubierta inferior deberá ser ubicado debajo de la brida de la parte inferior del conducto de aire.



Instalación de Hornos Simples, Combinados y Dobles de Pared sin Pedestal

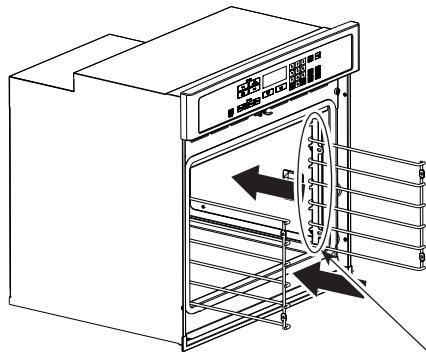


Instalaciones de Horno de Pared Doble con Pedestal

IMPORTANTE: Si esta unidad alguna vez se quita del gabinete o si el horno se quita de servicio, el reborde inferior debe quitarse antes o el reborde sufrirá daños.

12 GUÍA DE INSTALACIÓN DE LA ESTANERÍA DEL HORNO (SI CORRESPONDE)

- Ubique el equipo de montaje de la guía del horno incluida.
- Coloque las guías de los estantes del horno en los montajes de pared de la cavidad con los postes metálicos hacia la parte trasera de la cavidad, como se muestra.
- Instale las guías usando las 8 tuercas de montaje provistas.



Los postes metálicos se deben instalar en la parte trasera de la cavidad.

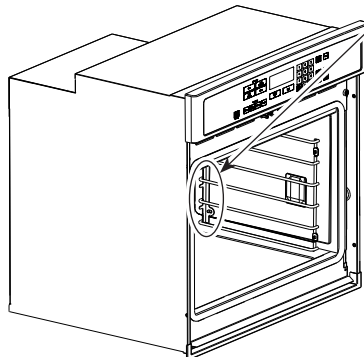
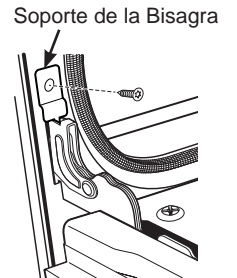
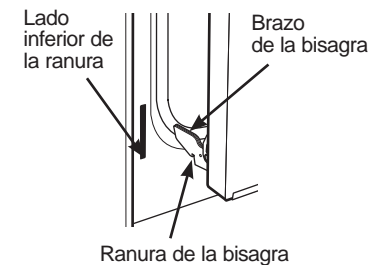
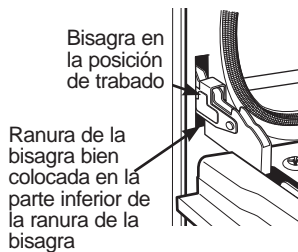
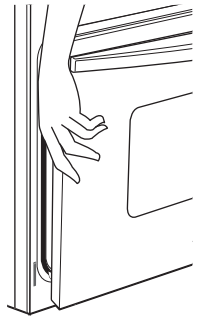


Imagen de la guía de la estantería en su lugar correspondiente.

13 REEMPLAZO DE LA PUERTA TÉRMICA DEL HORNO

NOTA: La puerta del horno es pesada. Puede necesitar ayuda para levantar la puerta lo suficiente como para deslizarla dentro de las ranuras de la bisagra. No levante la puerta de la manija.

- Levante la puerta del horno tomándola de ambos lados.
- Con la puerta en el mismo ángulo de la posición de remoción (aproximadamente 1"-2" [2,5 cm-5,1 cm] desde la posición de cerrado), introduzca la muesca del brazo de la bisagra dentro del extremo inferior de la ranura de la bisagra. La ranura del brazo de la bisagra debe estar bien colocada en la parte inferior de la ranura.
- Abra la puerta por completo. Si la puerta no se abre por completo, la muesca no está bien colocada en el extremo inferior de la ranura.
- Presione las trabas de la bisagra hacia arriba contra el armazón frontal de la cavidad del horno, hasta alcanzar la posición de trabado.
- Reemplace el soporte de la bisagra, si se cuenta con el mismo, para asegurar el correcto funcionamiento de la puerta.
- Cierre la puerta del horno.



14 LISTA DE CONTROL FINAL DE LA INSTALACIÓN

- Verifique que el interruptor de circuitos se encuentre cerrado (RESET) o que los fusibles del circuito se hayan reemplazado.
- Asegúrese de que haya suministro eléctrico en el edificio.
- Controle que se haya quitado todo el material de empaque y la cinta adhesiva. No quitar estos materiales puede provocar daños al electrodoméstico una vez que el aparato se haya encendido y las superficies se hayan calentado.
- Quite todos los elementos ubicados dentro del horno.
- Asegúrese de que los tornillos de montaje se encuentren instalados y nivelados con el reborde lateral (ver sección 10).
- Verifique que el reborde inferior esté bien instalado (ver sección 11).
- Asegúrese de que la abertura inferior del conducto de aire de la unidad esté libre de obstrucciones.
- Controle que las guías de los estantes del horno (si corresponde) estén instaladas de forma correcta y que los estantes del horno funcionen de forma fluida.
- Si corresponde, instale las manijas siguiendo las instrucciones de instalación de las mismas y controle que ambos extremos se encuentren asegurados.

LISTA DE CONTROL DE FUNCIONAMIENTO

- Accione la energía del horno (consulte el Manual del propietario). Verifique que las unidades de horneado y asado y que todas las funciones de cocción operen bien.
- Ver el Manual del propietario para la lista de detección y solución de problemas.
- Asegúrese de que todos los controles del horno se encuentren en OFF (apagado) antes de dejar el horno.