

BACKSPLASH KIT INSTALLATION INSTRUCTIONS FOR 27" DROP-IN RANGES

NOTE: Remove protective film before installation.

This kit contains:

1 Backsplash	WB36K5232	BSP006
2 Screws	WB1K5062	SCW025
1 Maintop Filler	WB36K5233	FLR045
2 Woodscrews	WB1X5112	326B1053P001

Step 1:

NOTE: The backsplash attaches to the counter. The range slides into position after backsplash is in place.

Place range in cutout. For cutout dimensions, please follow installation instructions packed with your range.

Step 2:

Attach filler to backsplash using 2 screws provided. See Fig. 1.

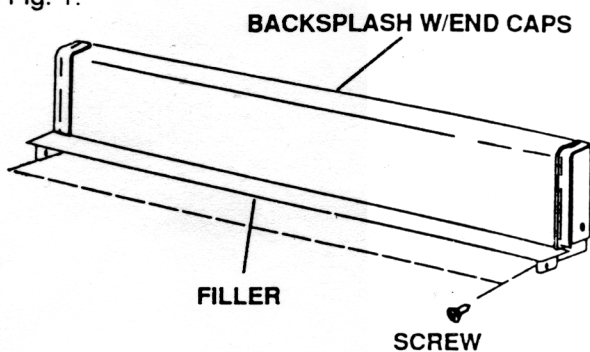


Fig. 1

Step 3:

Position backsplash and filler in desired location to range. See Fig. 2.

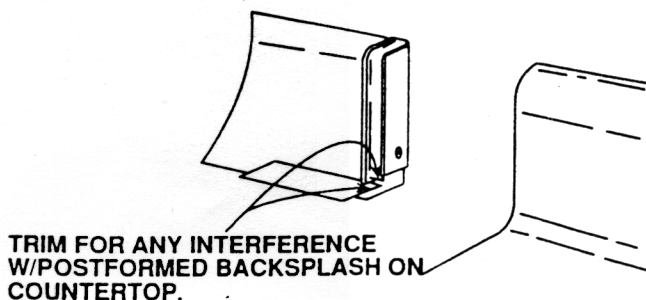


Fig. 2

Step 4:

Using pencil, mark position of the backsplash on the countertop to identify its location. See Fig. 3.

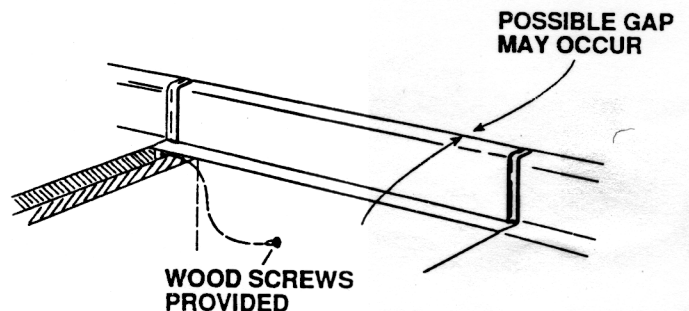


Fig. 3

Step 5:

Remove range from cutout.

Step 6:

Align with pencil marks and install backsplash to counter through holes in filler. Use woodscrews provided. See Fig. 3.

Step 7 :

Return range to position in cutout.