



Electric
WARMING DRAWER

SAFETY INFORMATION..... 3

USING THE WARMING DRAWER

Features..... 5

Operating Tips 6

CARE AND CLEANING

Cleaning The Warming Drawer 9

INSTALLATION INSTRUCTIONS . 10

TROUBLESHOOTING TIPS.....16

LIMITED WARRANTY17

ACCESSORIES19

CONSUMER SUPPORT 20

OWNER'S MANUAL & INSTALLATION INSTRUCTIONS

PKW7000
PTW9000

Write the model and serial numbers here:

Model # _____

Serial # _____

You can find them on a label located on the backside of the lower drawer front.

ESPAÑOL

Para consultar una version en español de este manual de instrucciones, visite nuestro sitio de internet GEAppliances.com.

THANK YOU FOR MAKING GE APPLIANCES A PART OF YOUR HOME.

Whether you grew up with GE Appliances, or this is your first, we're happy to have you in the family.

We take pride in the craftsmanship, innovation and design that goes into every GE Appliances product, and we think you will too. Among other things, registration of your appliance ensures that we can deliver important product information and warranty details when you need them.

Register your GE appliance now online. Helpful websites and phone numbers are available in the Consumer Support section of this Owner's Manual. You may also mail in the pre-printed registration card included in the packing material.



GE APPLIANCES

IMPORTANT SAFETY INFORMATION

READ ALL INSTRUCTIONS BEFORE USING THE APPLIANCE

▲WARNING Read all safety instructions before using the product. Failure to follow these instructions may result in fire, electrical shock, serious injury or death.

▲WARNING IMPORTANT SAFETY NOTICE

All warming drawers can tip and injury could result if not properly installed.

To prevent accidental tipping of the warming drawer, attach it to the wall with an anti-tip brace as described in the Installation Instructions.

▲WARNING GENERAL SAFETY INSTRUCTIONS

- Use this appliance only for its intended purpose as described in this Owner's Manual.
- Be sure your appliance is properly installed and grounded by a qualified installer in accordance with the provided installation instructions.
- Do not attempt to repair, replace or clean any part of your warming drawer unless it is specifically recommended in this manual. All other servicing should be transferred to a qualified technician.
- Before performing any service, disconnect the power supply at the household distribution panel by removing the fuse or switching off the circuit breaker.
- Do not leave children alone—children should not be left alone or unattended in an area where an appliance is in use. They should never be allowed to climb, sit or stand on any part of the appliance.
- **▲CAUTION** Do not store items of interest to children in cabinets above a warming drawer - children climbing on the warming drawer to reach items could be seriously injured.
- Use only dry pot holders—moist or damp pot holders on hot surfaces may result in burns from steam. Do not let pot holders touch hot heating elements. Do not use a towel or other bulky cloth in place of pot holders.
- Never use your appliance for warming or heating the room.
- Do not touch the heating elements or the interior surface of the warming drawer. These surfaces may be hot enough to burn even though they are dark in color. During and after use, do not touch, or let clothing or other flammable materials contact any interior area of the warming drawer; allow sufficient time for cooling first. Other surfaces of the appliance may become hot enough to cause burns. Potentially hot surfaces include the warming drawer vent opening, surfaces near the opening and crevices around the warming drawer door.
- Do not heat unopened food containers. Pressure could build up and the container could burst, causing an injury.
- Do not use aluminum foil to line the warming drawer bottom. Foil can trap heat or melt, resulting in damage to the product and a shock or fire hazard.
- Avoid scratching or impacting glass doors or control panels. Doing so may lead to glass breakage. Do not cook on a product with broken glass. Shock, fire or cuts may occur.
- The purpose of the warming drawer is to hold hot cooked foods at serving temperature (greater than 140°F). Bacteria will grow in food while it is below 140°F. Therefore, always start with hot food; cold food cannot be heated or cooked in the warming drawer.

READ AND SAVE THESE INSTRUCTIONS

IMPORTANT SAFETY INFORMATION

READ ALL INSTRUCTIONS BEFORE USING THE APPLIANCE

⚠ WARNING KEEP FLAMMABLE MATERIALS AWAY FROM THE WARMING DRAWER

Failure to do so may result in fire or personal injury.

- Do not store or use flammable materials in or near a warming drawer, including paper, plastic, pot holders, linens, wall coverings, curtains, drapes and gasoline or other flammable vapors and liquids.
- Do not let cooking grease or other flammable materials accumulate in or near the warming drawer. Grease in the warming drawer or near the warming drawer may ignite.
- Never wear loose-fitting or hanging garments while using the appliance. These garments may ignite if they contact hot surfaces, causing severe burns.

⚠ WARNING IN THE EVENT OF A FIRE, TAKE THE FOLLOWING STEPS TO PREVENT INJURY AND FIRE SPREADING

- Do not use water on grease fires. Never pick up a flaming pan.
- If there is a fire in the warming drawer, smother the fire by closing the warming drawer door and turning the warming drawer off or by using a multi-purpose dry chemical or foam-type fire extinguisher.

⚠ WARNING WARMING DRAWER SAFETY INSTRUCTIONS

- Stand away from the warming drawer when opening the warming drawer door. Hot air or steam which escapes can cause burns to hands, face and/or eyes.
- Place warming drawer racks in desired location while warming drawer is cool. If rack must be moved while warming drawer is hot, do not let pot holder contact hot heating element in warming drawer.
- Keep the warming drawer vent unobstructed.
- Do not leave items such as paper, cooking utensils or food in the warming drawer when not in use. Items stored in a warming drawer can ignite.
- Keep the warming drawer free from grease buildup. Grease in the warming drawer may ignite

How to Remove Protective Shipping Film and Packaging Tape

Carefully grasp a corner of the protective shipping film with your fingers and slowly peel it from the appliance surface. Do not use any sharp items to remove the film. Remove all of the film before using the appliance for the first time.

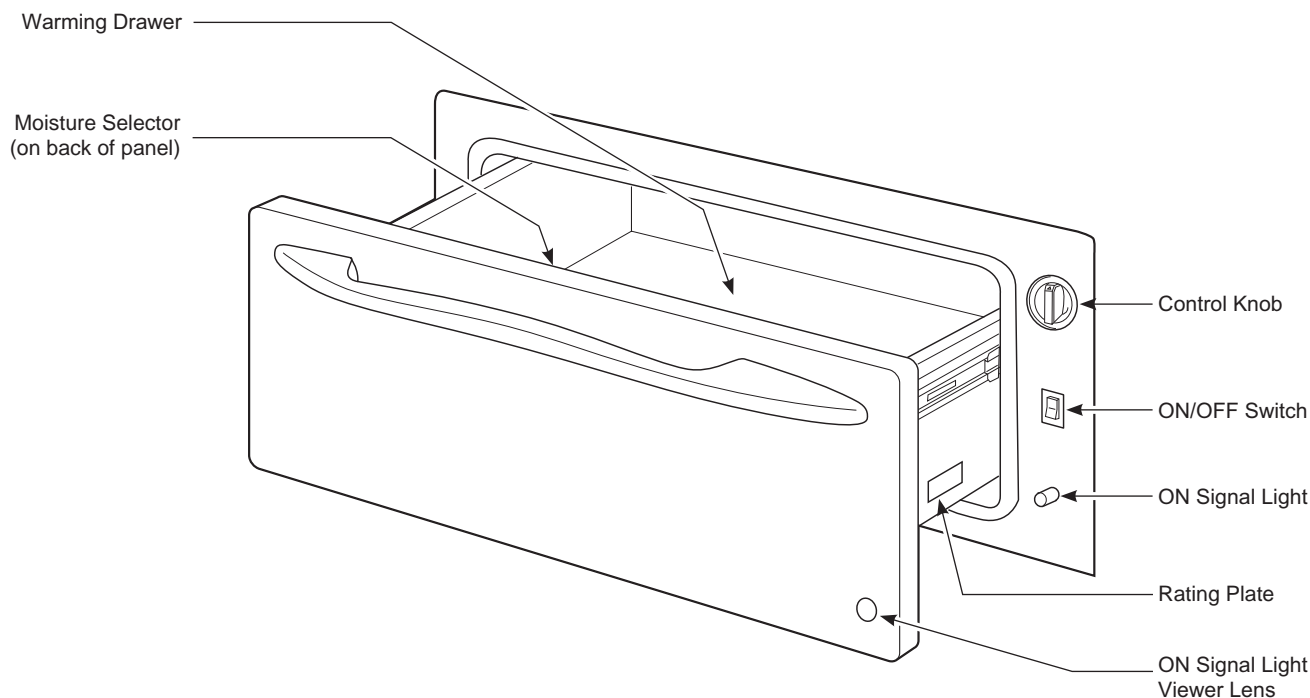
To assure no damage is done to the finish of the product, the safest way to remove the adhesive from packaging tape on new appliances is an application of a household liquid dishwashing detergent. Apply with a soft cloth and allow to soak.

NOTE: The adhesive must be removed from all parts. It cannot be removed if it is baked on.

READ AND SAVE THESE INSTRUCTIONS

Features

Not all features are on all models. Appearance may vary.



The warming drawer will keep hot, cooked foods at serving temperature. Always start with hot food. Do not use to heat cold food other than proofing yeast dough, crisping crackers, chips or dry cereal.

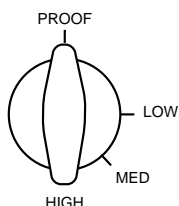
Control Knob

The warming drawer controls are hidden with the drawer shut. Open the drawer. The controls are on the right side of the front frame.

Turn the control knob to the desired setting.

To use the warming drawer, press the **ON/OFF** switch to the ON position.

Slide the moisture selector control to the open or closed setting (See the Moisture Selector section).



PROOF	75–95°F
LOW	140–160°F
MED.	160–195°F
HIGH	195–230°F

ON Signal Light

The ON signal light is located below the ON/OFF switch and glows when the ON/OFF switch is in the ON position. It stays on until the ON/OFF switch is moved to the OFF position.

The ON signal light is visible through the light viewer in the drawer front panel when the drawer is closed. This is a reminder that the heat is on.

Moisture Selector

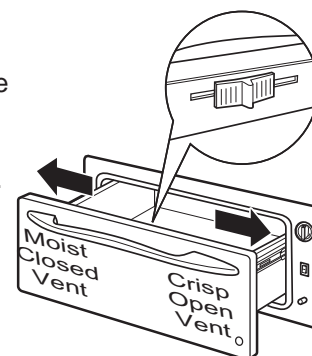
The moisture selector is located on the inside front of the drawer.

To keep foods moist, slide the moisture selector control away from the control knob. This closes the vent and seals the moisture inside the drawer. With the vent closed hot foods stay moist and soft.

In this setting condensation may occur around the inside edge of the drawer.

To keep foods crisp, slide the moisture selector control to the right towards the control knob. This opens the vents and allows the moisture to escape.

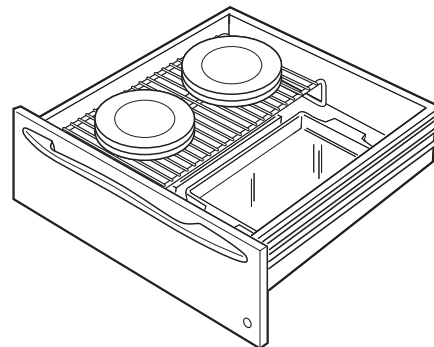
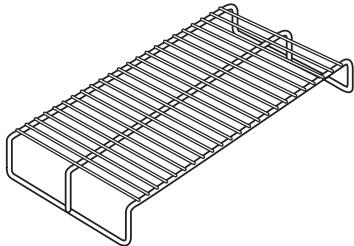
With the vents open, it is normal for moisture to collect on surfaces above the warming drawer.



Operating Tips

Rack

- Rack will fit from front to back.
- Preheat with the rack in place.
- Using the rack allows for double stacking of items.



Double stacking items with the rack in position.

When Using The Warming Drawer

Do not line the warming drawer with aluminum foil.

- Allow time for the drawer to be preheated:

LOW 8 minutes

MED 15 minutes

HIGH 20 minutes

NOTE: It is not necessary to preheat the drawer for proofing.

Food in heat-safe glass and glass ceramic pans may need higher thermostat setting as compared to food in metal pans.

- Repeated opening of the drawer allows the hot air to escape and the food to cool. Allow extra time for temperature inside the drawer to stabilize after adding items.

- With large loads it may be necessary to use a higher thermostat setting and cover some of the cooked food items.
- Food should be kept hot in its cooking container or transferred to a heat-safe serving dish.
- Aluminum foil may be used to cover food to prevent it from drying out.

CAUTION Plastic containers or plastic wrap will melt if in direct contact with the drawer. Melted plastic may not be removable and is not covered under your warranty.

- Remove serving spoons, etc., before placing containers in warming drawer.

To Warm Serving Bowl And Plates

To warm serving bowls and plates set the control on LOW.

- Use only heat-safe dishes.
- Place the empty dishes on the rack to raise them off the bottom of the drawer. If you want hotter dishes or want to heat fine china, please check with the manufacturer of the dishes for their maximum heat tolerance.
- Preheat empty serving dish while preheating the drawer.

- When holding hot, cooked foods and warming empty serving dishes at the same time, place the serving dishes on the high rack position and the food on the bottom of the drawer.

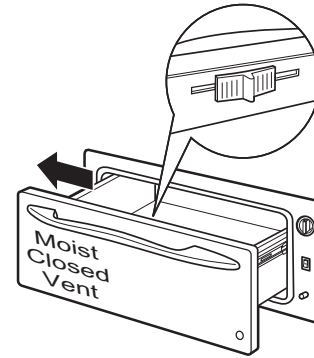
CAUTION Dishes may be hot. Use pot holders or mitts when removing hot dishes.

Operating Tips

To Proof Yeast Bread Dough

Yeast dough can be proofed in the warming drawer.

- Place your dish on the warming drawer bottom.
- You must always turn the control knob to **LOW** then immediately back to **PROOF**.
- Close the vent.
- Lightly oil the top of the dough in a bowl large enough to double the dough size. Cover with a cloth.
- Preheating not required for proofing.
- Check the dough height in 40 minutes. Add time as needed. The dough should remain in the drawer until it has doubled in size and a slight depression remains when the surface is touched gently with a finger.



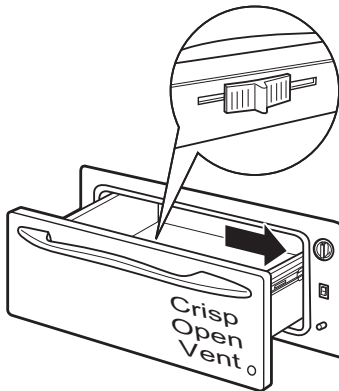
To Crisp Stale Items

- Place food in low sided dishes or pans.
- Preheat on LOW setting and open the vent.
- Check crispness after 45 minutes. Add time as needed.

Temperature Selection Chart for Crisp Foods

To keep several different foods hot, set the temperature to the food needing the highest setting. Place the items needing the highest setting on the bottom of the drawer and items needing less heat on the rack.

Food Type	Control Setting	Moisture Selector Setting
Bacon	HIGH	OPEN
Bread, hard rolls	MED	OPEN
Fried foods	HIGH	OPEN
Pies, two crusts	MED	OPEN
Pizza	HIGH	OPEN
Potatoes, baked	HIGH	OPEN
Tortilla Chips	LOW	OPEN



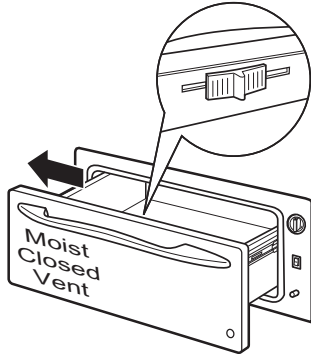
Tips:

- Leave food uncovered.
- Do not use plastic containers or plastic wrap.
- Preheat prior to use according to recommended times.

Operating Tips

Temperature Selection Chart for Moist Foods

To keep several different foods hot, set the temperature to the food needing the highest setting. Place the items needing the highest setting on the bottom of the drawer and items needing less heat on the rack.



Food Type	Control Setting	Moisture Selector Setting
Beef, medium and well done*	MED	CLOSED
Bread, soft rolls	MED	CLOSED
Casseroles	MED	CLOSED
Cooked cereal	MED	CLOSED
Eggs	MED	CLOSED
Fish, seafood	MED	CLOSED
Fruit	MED	CLOSED
Gravy, cream sauces	MED	CLOSED
Ham	MED	CLOSED
Lamb	MED	CLOSED
Pancakes, waffles	HIGH	CLOSED
Pies, one crust	MED	CLOSED
Pork	MED	CLOSED
Potatoes, mashed	MED	CLOSED
Poultry	HIGH	CLOSED
Vegetables	MED	CLOSED

* USDA/FSSIS recommends an internal temperature of 145°F. as the minimum doneness for beef. Use a portable meat thermometer to check internal temperatures.

Tips:

- Cover food with lid or aluminum foil.
- Do not put water in the warming drawer.
- Do not use plastic containers or plastic wrap.
- Preheat prior to use according to recommended times.

Cleaning The Warming Drawer

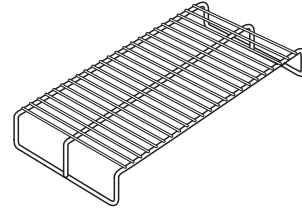
Be sure the controls are in the OFF position and all surfaces are cool before cleaning any part of the warming drawer.

Painted Or Enameled Surfaces

Use soap and warm water to thoroughly clean.

Rack

Clean the rack with detergent and water. After cleaning, rinse the rack with clean water and dry with a clean cloth.



Stainless Steel - Excluding Black Stainless Steel (on some models)

Do not use a steel wool pad; it will scratch the surface.

To clean the stainless steel surface, use warm sudsy water or a stainless steel cleaner or polish. Always wipe the surface in the direction of the grain. Follow the cleaner instructions for cleaning the stainless steel surface.

Cleaners with oxalic acid such as Bar Keepers Friend Soft Cleanser™ will remove surface rust, tarnish and small blemishes. Use only a liquid cleanser free of grit and rub in the direction of the brush lines with a damp, soft sponge.

To inquire about purchasing cleaning products including stainless steel appliance cleaner or polish, see the Accessories and Consumer Support sections at the end of this manual.

Control Knob

The control knob may be removed for easier cleaning.

Make sure the knob is in the PROOF position and pull it straight off the stem for cleaning.

The knob should be washed with soap and water. Make sure the inside of the knob is dry before replacing.

Replace the knob in the PROOF position to ensure proper placement.

Installation Instructions

Warming Drawer PKW7000 and PTW9000

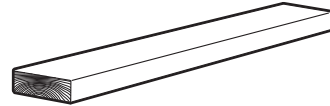
 If you have questions, call GE Appliances at 800.GE.CARES (800.432.2737) or visit our website at: GEAppliances.com

BEFORE YOU BEGIN

Read these instructions completely and carefully.

- **IMPORTANT** – Save these instructions for local inspector’s use.
- **IMPORTANT** – Observe all governing codes and ordinances.
- **Note to Installer** – Be sure to leave these instructions with the Consumer.
- **Note to Consume** – Keep these instructions for future reference.
- Product failure due to improper installation is not covered under the Warranty.
- **⚠ WARNING** This appliance must be properly grounded.
- **⚠ WARNING** Insure that the power cord does not contact the hot surfaces on the bottom of ovens, cooktops, or any other appliance.
- **ATTENTION INSTALLER** – Proper installation is the responsibility of the installer and product failure due to improper installation is NOT covered under warranty.

MATERIALS YOU WILL NEED



2 x 4 or 2 x 2 lumber for runners and brace



Wood screws and adhesive or other hardware for installing runners or shelf to support warmer drawer.

Runners must be level, rigidly mounted and capable of supporting 150 pounds.

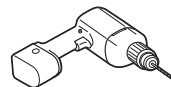
TOOLS REQUIRED



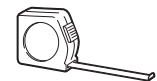
Hand Saw



Safety Glasses



Drill and
1/16" Bit



Measuring Tape



Phillips Screwdriver



Level



Cut Resistant Gloves

Installation Instructions

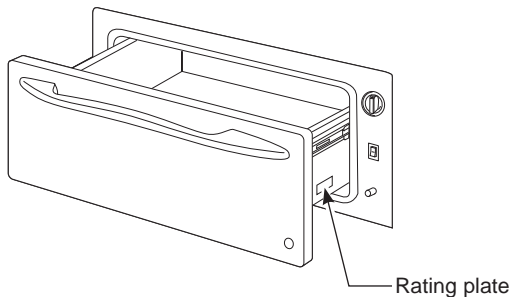
IMPORTANT SAFETY INSTRUCTIONS

GROUNDING INSTRUCTIONS

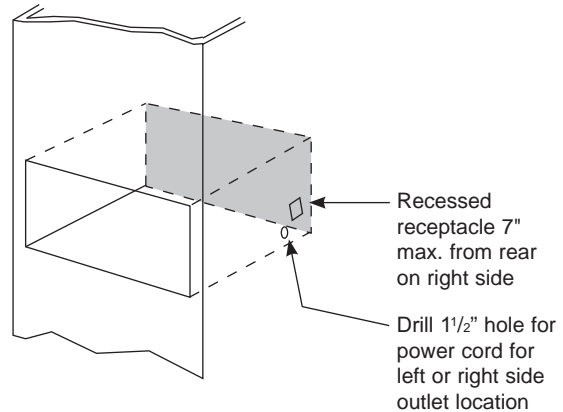
IMPORTANT—(Please read carefully)

FOR PERSONAL SAFETY, THIS APPLIANCE MUST BE PROPERLY GROUNDED.

This warming drawer must be supplied with 120V, 60Hz, and connected to an individual, properly grounded branch circuit, and protected by a 15 or 20 amp circuit breaker or time delay fuse.



- A properly grounded 3-prong receptacle should be located within reach of the drawer's 56" long power cord.
- Locate the receptacle in an adjacent cabinet.
 - within 42" of the right side or,
 - within 16" of the left side or
 - A recessed receptacle may be located on the right side of the cutout, 7" maximum from the back of the cabinet. In this location, the excess power cord should be coiled and taped to the right side of the unit.



IMPORTANT—(Please read carefully)

The power cord of this appliance is equipped with a 3-prong (grounding) plug that mates with a standard 3-prong grounding wall receptacle to minimize the possibility of electric shock. The customer should have the wall receptacle and circuit checked by a qualified electrician to make sure the receptacle is properly grounded and has the correct polarity.

- Where a standard 2-prong wall receptacle is encountered, it is the personal responsibility and obligation of the customer to have it replaced with a properly grounded 3-prong wall receptacle.

Do not, under any circumstances, cut or remove the third (ground) prong from the power cord.

DO NOT USE AN EXTENSION CORD OR ADAPTER PLUG WITH THIS APPLIANCE. FOLLOW NATIONAL ELECTRICAL CODES AND ORDINANCES.

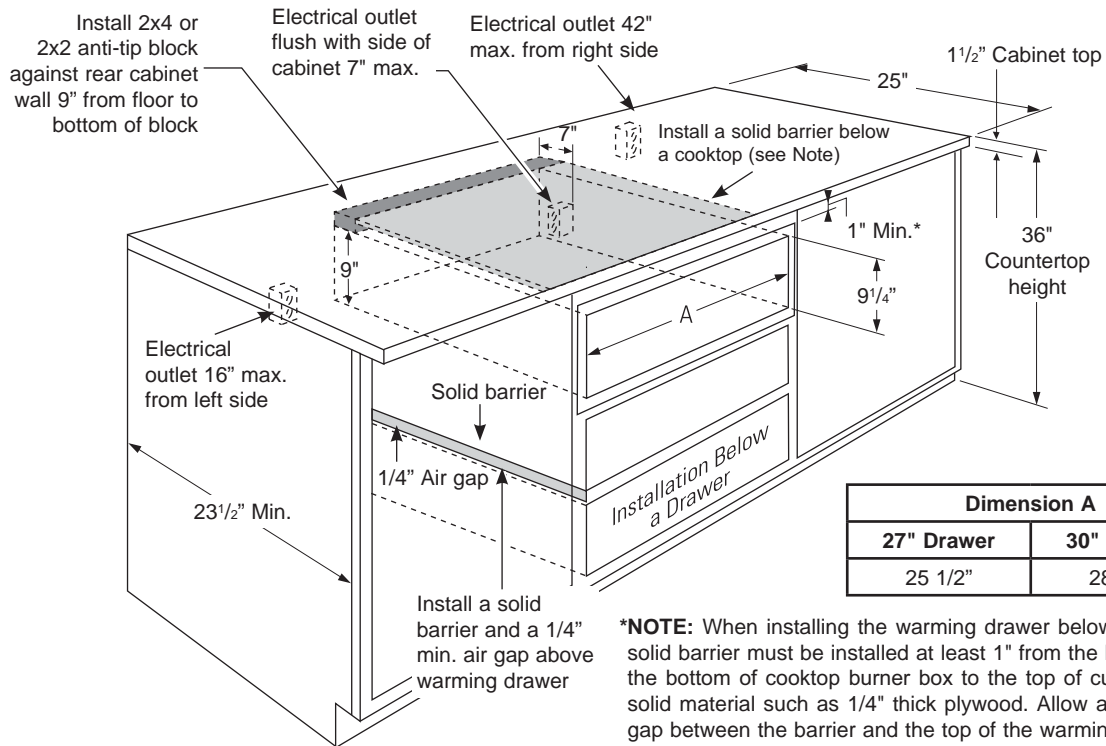
PRE-INSTALLATION CHECKLIST

- A** When preparing warming drawer cabinet, make sure the inside of the cabinet and the warming drawer do not interfere with each other. (see sections on preparing cabinet)
- B** REMOVE PACKAGING MATERIALS: Failure to remove packaging materials could result in damage to the appliance. Remove all packing parts from warming drawer including lifting up the warming drawer to confirm all packaging is removed.

- C** Remove Installation Instructions from literature pack and read them carefully before you begin. Be sure to place all literature, Owner's Manual, Installations, etc in a safe place for future reference.

Installation Instructions

PREPARING CABINET: BELOW A COUNTERTOP



Dimension A	
27" Drawer	30" Drawer
25 1/2"	28 1/2"

***NOTE:** When installing the warming drawer below a cooktop, a solid barrier must be installed at least 1" from the lowest point of the bottom of cooktop burner box to the top of cutout. Use any solid material such as 1/4" thick plywood. Allow at least 1/4" air gap between the barrier and the top of the warming drawer. See label on top of the warming drawer for approved cooktop models.

- When installed, the front face of the warming drawer will be nearly flush with cabinetry doors or drawer fronts.
- Drawer overlaps will conceal cut edges on all sides of the opening.

The rough opening for the drawer must be:

- Depth: 23 1/2" minimum from inside back to front of cabinet frame.
- Width: 25 1/2" for 27" wide models
28 1/2" for 30" wide models.
- Height: 9 1/4"
- 5" minimum above floor or 1" above toekick. 23 1/4" from floor to bottom of cutout is recommended for under countertop installation.

Installation below a cabinet drawer:

The warming drawer may be installed beneath a cabinet drawer. In this installation, a solid barrier should be installed above the warming drawer to block access. Use any solid material such as 1/4" thick plywood. Allow at least 1/4" air gap between the barrier and the top of the warming drawer. Observe the 5" min. above the floor or 1" above the toekick min. installation height.

***NOTE:** If you are installing in frameless cabinets, it may be necessary to install 1/2" wide cleats to accept drawer mounting screws. See drawer to find exact locations of mounting screws.

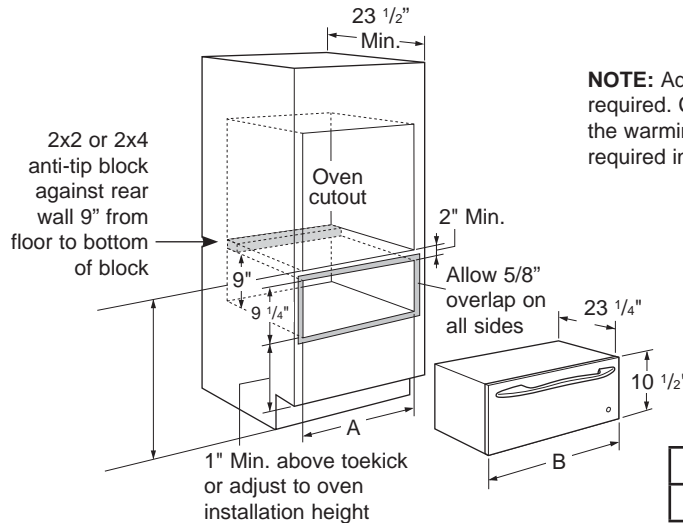
When installed under a cooktop:

Warming drawers are suitable for installation below only certain specified cooktop models. See the label attached to the top of the warming drawer for suitable models. A solid barrier and air gap between cooktop and warming drawer is required. See Note above.

Installation Instructions

PREPARING CABINET: BELOW WALL OVENS

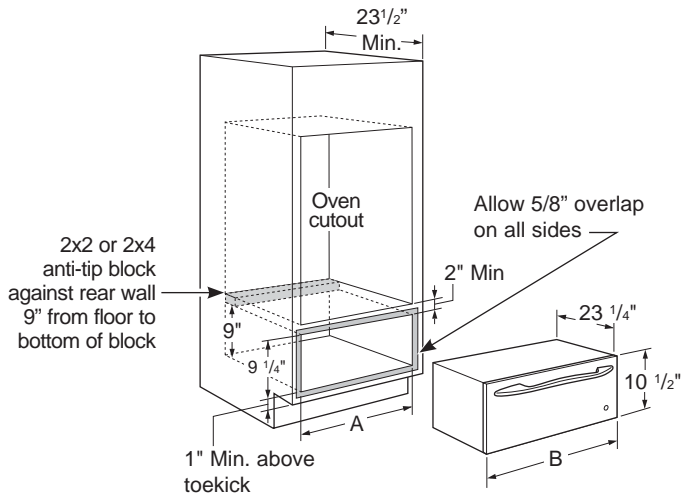
INSTALLATION BELOW A SINGLE OVEN



NOTE: Additional clearance between cutouts may be required. Check to be sure that oven supports above the warming drawer location do not obstruct the required interior 23 1/2" depth and 9 1/4" height.

	Dimension A	Dimension B
27" Drawer	25 1/2"	26 3/4"
30" Drawer	28 1/2"	29 3/4"

INSTALLATION BELOW A DOUBLE OVEN



NOTE: Additional clearance between cutouts may be required. Check to be sure that oven supports above the warming drawer location do not obstruct the required interior 23 1/2" depth and 9 1/4" height.

- When installed, the front face of the warming drawer will be nearly flush with cabinetry doors or drawer fronts.
- Drawer overlaps will conceal cut edges on all sides of the opening.

The rough opening for the drawer must be:

- Depth: 23 1/2" minimum from inside back to front of cabinet frame.
- Width: 25 1/2" for 27" wide models
28 1/2" for 30" wide models.
- Height: 9 1/4"
- Allow 2" minimum between oven and drawer cutouts for clearance of overlaps

NOTE: If you are installing in frameless cabinets, it may be necessary to install 1/2" wide cleats to accept drawer mounting screws. See drawer to find exact locations of mounting screws.

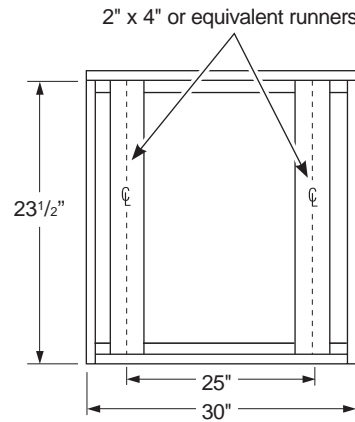
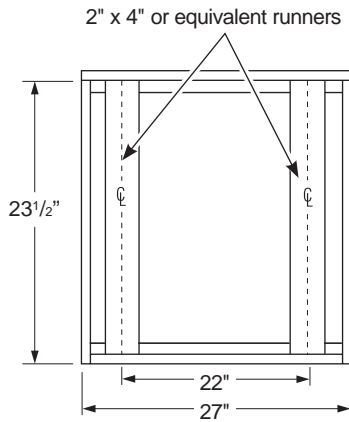
When installed under a wall oven:

Warming drawers are suitable for installation below only certain specified wall oven models. See the label attached to the top of the warming drawer for suitable models.

NOTE: Electrical receptacle can be installed as shown for countertop installations. Do not install receptacle above the top of the warming drawer cutout.

Installation Instructions

INSTALLING CABINET SUPPORT



IMPORTANT: When installed below a single or double oven, check to be sure that any oven supports above the cutout do not obstruct the 23 1/2" required depth of the warming drawer cutout.

- A 2" minimum clearance between oven and warming drawer cutouts are required. Additional clearance may be required if 2 x 4 blocks are used to support runners or solid floor of the oven above.
- The warming drawer may be supported by either a solid bottom, 2 x 4 or 2 x 2 runners.

- The support must be level and rigidly mounted, flush with the bottom edge of the cutout.
- There is no way to level the drawer once it has been installed. Be sure supports are level.**
- The entire weight of the drawer is supported by the runners or solid floor and must be capable of supporting 150 lbs.

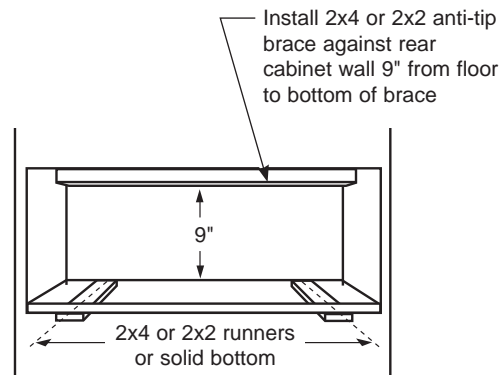
Installation Instructions

INSTALLING ANTI-TIP BRACE

⚠ WARNING ANTI-TIP PRECAUTIONS:

The anti-tip brace must be installed to prevent the drawer from tipping forward when opened and loaded.

Failure to do so could result in personal injury.



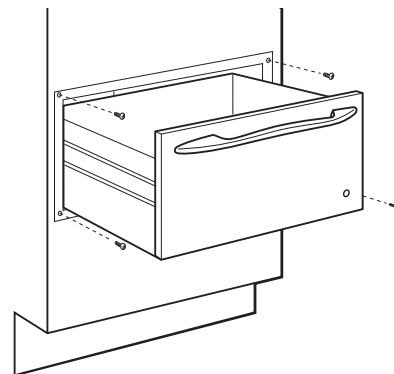
INSTALLING WARMING DRAWER

1. Slide the left corner into opening and push power cord into the hole leading to the outlet location. Thread the cord through as drawer is being pushed back into the opening.

If the outlet is installed inside the opening, plug the cord into the outlet. In this location, the excess power cord should be coiled and taped to the right side of the unit. Make sure the cord does not get trapped by the drawer.

NOTE: Insure that the power cord does not contact the hot surfaces on the bottom of ovens, cooktops, or any other appliance.

2. Push the drawer back until the front flange is flush to the cabinet front.
3. Open the drawer fully.



4. Drill pilot holes through the holes in the overlapping frame, one on each corner.
5. Drive wood screws provided into each corner.

Troubleshooting tips ... Before you call for service

Save time and money! Review the charts on the following pages first and you may not need to call for service.

Problem	Possible Cause	What To Do
Warming drawer will not work	A fuse in your home may be blown or the circuit breaker tripped.	Replace the fuse or reset the circuit breaker.
	Warming drawer not plugged in.	Plug in.
	Controls improperly set.	See the Using the warming drawer section.
Drawer does not slide smoothly or drags	Ball bearings out of alignment.	Fully extend the drawer and push it all the way in. See the Care and cleaning section.
	Drawer over-loaded or load unbalanced.	Reduce weight to less than 50 pounds. Redistribute drawer contents.
Excessive condensation	Liquid in warming drawer.	Remove liquid.
	Uncovered foods.	Cover food with lid or aluminum foil.
	Temperature setting too high.	Reduce temperature setting.
	Incorrect Moisture Selector setting.	Set the Moisture Selector to the open vent setting to allow venting.
No heat in the PROOF setting	Room temperature may prevent the thermostat from tripping on.	Turn the knob to LOW then back to PROOF.
Food dries out	Moisture escaping.	Cover food with lid or aluminum foil.

GE Appliances Electric Warming Drawer Limited Warranty

LIMITED WARRANTY

GEAppliances.com

All warranty service is provided by our Factory Service Centers, or an authorized Customer Care® technician. To schedule service online, visit us at GEAppliances.com/service, or call GE Appliances at 800.GE.CARES (800.432.2737). Please have your serial number and your model number available when calling for service.

Servicing your appliance may require the use of the onboard data port for diagnostics. This gives a GE Appliances factory service technician the ability to quickly diagnose any issues with your appliance and helps GE Appliances improve its products by providing GE Appliances with information on your appliance. If you do not want your appliance data to be sent to GE Appliances, please advise your technician not to submit the data to GE Appliances at the time of service.

For the period of	GE Appliances will replace
One year From the date of the original purchase	Any part of the warming drawer which fails due to a defect in materials or workmanship. During this limited one-year warranty , GE Appliances will provide, free of charge , all labor and in-home service to replace the defective part.

What GE Appliances will not cover:

- Service trips to your home to teach you how to use the product.
- Improper installation, delivery or maintenance.
- Failure of the product if it is abused, misused, modified or used for other than the intended purpose or used commercially.
- Replacement of house fuses or resetting of circuit breakers.
- Damage to the product caused by accident, fire, floods or acts of God.
- Damage to finish, such as surface rust, tarnish, or small blemishes not reported within 48 hours of delivery.
- Incidental or consequential damage caused by possible defects with this appliance.
- Damage caused after delivery.
- Product not accessible to provide required service.
- Service to repair or replace light bulbs, except for LED lamps.

EXCLUSION OF IMPLIED WARRANTIES

Your sole and exclusive remedy is product repair as provided in this Limited Warranty. Any implied warranties, including the implied warranties of merchantability or fitness for a particular purpose, are limited to one year or the shortest period allowed by law.

This limited warranty is extended to the original purchaser and any succeeding owner for products purchased for home use within the USA. If the product is located in an area where service by a GE Appliances Authorized Servicer is not available, you may be responsible for a trip charge or you may be required to bring the product to an Authorized GE Appliances Service location for service. In Alaska, the limited warranty excludes the cost of shipping or service calls to your home.

Some states do not allow the exclusion or limitation of incidental or consequential damages. This limited warranty gives you specific legal rights, and you may also have other rights which vary from state to state. To know what your legal rights are, consult your local or state consumer affairs office or your state's Attorney General.

Warrantor: GE Appliances, a Haier company

Louisville, KY 40225

Staple your receipt here. Proof of the original purchase date is needed to obtain service under the warranty.

Notes

Accessories

Looking For Something More?

GE Appliances offers a variety of accessories to improve your cooking and maintenance experiences!

Refer to the Consumer Support page for phone numbers and website information.

The following products and more are available:

Accessories

27" Wide Custom Panel Kit

30" Wide Custom Panel Kit

30" Monogram Pro Panel Kit

Parts

Wire Rack

Cleaning Supplies

CitruShine™ Stainless Steel Wipes

Stainless Steel Appliance Cleaner

Consumer Support

GE Appliances Website

Have a question or need assistance with your appliance? Try the GE Appliances Website 24 hours a day, any day of the year! You can also shop for more great GE Appliances products and take advantage of all our on-line support services designed for your convenience. In the US: **GEAppliances.com**

Register Your Appliance

Register your new appliance on-line at your convenience! Timely product registration will allow for enhanced communication and prompt service under the terms of your warranty, should the need arise. You may also mail in the pre-printed registration card included in the packing material.

In the US: **GEAppliances.com/register**

Schedule Service

Expert GE Appliances repair service is only one step away from your door. Get on-line and schedule your service at your convenience any day of the year.

In the US: **GEAppliances.com/service** or call 800.432.2737 during normal business hours.

Extended Warranties

Purchase a GE Appliances extended warranty and learn about special discounts that are available while your warranty is still in effect. You can purchase it on-line anytime. GE Appliances Services will still be there after your warranty expires.

In the US: **GEAppliances.com/extended-warranty** or call 800.626.2224 during normal business hours.

Remote Connectivity

For assistance with wireless network connectivity (for models with remote enable), visit our website at **GEAppliances.com/connect** or call 800.220.6899

Parts and Accessories

Individuals qualified to service their own appliances can have parts or accessories sent directly to their homes (VISA, MasterCard and Discover cards are accepted). Order on-line today 24 hours every day.

In the US: **GEApplianceparts.com** or by phone at 877.959.8688 during normal business hours.

Instructions contained in this manual cover procedures to be performed by any user. Other servicing generally should be referred to qualified service personnel. Caution must be exercised, since improper servicing may cause unsafe operation.

Contact Us

If you are not satisfied with the service you receive from GE Appliances, contact us on our Website with all the details including your phone number, or write to:

In the US: General Manager, Customer Relations | GE Appliances, Appliance Park | Louisville, KY 40225
GEAppliances.com/contact



CAJÓN PARA CALENTAR Eléctrico

INFORMACIÓN DE SEGURIDAD . . 3

USO DEL CAJÓN PARA CALENTAR
 Funciones 5
 Consejos de Funcionamiento 6

CUIDADO Y LIMPIEZA
 Limpieza del Cajón para Calentar 9

INSTRUCCIONES DE INSTALACIÓN..... 10

SOLUCIÓN DE PROBLEMAS.....16

GARANTÍA LIMITADA.....17

ACCESORIOS19

SOPORTE PARA EL CONSUMIDOR..... 20

MANUAL DEL PROPIETARIO Y INSTALACIÓN

PKW7000
PTW9000

Escriba los números de modelo y de serie aquí:

Nº de Modelo _____

Nº de Serie _____

Los podrá encontrar en la etiqueta ubicada en el lado trasero sobre el frente del cajón inferior.

GRACIAS POR HACER QUE GE APPLIANCES SEA PARTE DE SU HOGAR.

Ya sea que haya crecido usando GE Appliances, o que ésta es su primera vez, nos complace tenerlo en la familia.

Sentimos orgullo por el nivel de arte, innovación y diseño de cada uno de los electrodomésticos de GE Appliances, y creemos que usted también. Entre otras cosas, el registro de su electrodoméstico asegura que podamos entregarle información importante del producto y detalles de la garantía cuando los necesite.

Registre su electrodoméstico GE ahora a través de Internet. Sitios Web y números telefónicos útiles están disponibles en la sección de Soporte para el Consumidor de este Manual del Propietario.

También puede enviar una carta en la tarjeta de inscripción preimpresa que se incluye con el material embalado.



GE APPLIANCES

INFORMACIÓN IMPORTANTE DE SEGURIDAD

LEA TODAS LAS INSTRUCCIONES ANTES DE USAR

⚠ADVERTENCIA Lea todas las instrucciones antes de usar el producto. Si no se siguen estas instrucciones se podrán producir incendios, descargas eléctricas, lesiones graves o la muerte.

⚠ADVERTENCIA AVISO IMPORTANTE DE SEGURIDAD

Todos los cajones para calentar se pueden volcar y producirse lesiones si no se instalan de forma correcta.

Para evitar caídas accidentales del cajón para calentar, adhiera el mismo a la pared con una abrazadera anti volcaduras, como se describe en las instrucciones de instalación.

⚠ADVERTENCIA INSTRUCCIONES GENERALES DE SEGURIDAD

- Use este electrodoméstico sólo para su propósito original, como se describe en el Manual del Propietario.
- Asegúrese de que un instalador calificado instale su electrodoméstico de forma correcta y que esté adecuadamente conectado a tierra, de acuerdo con las instrucciones de instalación provistas.
- No intente reparar, reemplazar o limpiar ninguna parte del cajón para calentar, a menos que se recomiende específicamente en este manual. Cualquier otra reparación deberá ser realizada por un técnico calificado.
- Antes de realizar cualquier servicio técnico, desconecte el suministro de corriente desde el panel de distribución del hogar, retirando el fusible o desconectando el disyuntor.
- No deje a los niños solos – no se deberá dejar a los niños solos o fuera de su radio de atención en el área donde el electrodoméstico se encuentre en uso. Nunca se les deberá permitir trepar, sentarse o pararse sobre ninguna parte del electrodoméstico.
- **⚠PRECAUCIÓN** No coloque artículos de interés para los niños sobre los gabinetes que están sobre un cajón para calentar – si los niños se trepan sobre el cajón para calentar para llegar a estos artículos podrán sufrir lesiones graves.
- Use sólo mangos de ollas secos – los mangos de ollas húmedos sobre superficies calientes podrán producir quemaduras debido al vapor. No deje que los mangos de las ollas toquen los elementos que están calientes. No use una toalla u otra tela voluminosa para reemplazar el mango de las cacerolas.
- Nunca use el electrodoméstico para calentar o calefaccionar la habitación.
- No toque los elementos de calefacción ni la superficie interior del cajón para calentar. Es posible que estas superficies estén demasiado calientes como para quemar, aunque su color sea oscuro. Durante y después del uso, no toque ni permita que telas u otros materiales inflamables tengan contacto con cualquier área interior del cajón para calentar; espere a que haya pasado un tiempo suficiente para que se enfríen. Otras superficies del electrodoméstico se podrán calentar lo suficiente como para ocasionar lesiones. Las superficies potencialmente calientes incluyen la abertura de la ventilación del cajón para calentar, superficies cercanas a la abertura y grietas alrededor de la puerta del cajón para calentar.
- No caliente envases de comida que no hayan sido abiertos. Se podría acumular presión y el envase podría explotar, ocasionando una lesión.
- No use papel de aluminio para revestir la parte inferior del cajón para calentar. El papel de aluminio puede atrapar el calor o derretirse, ocasionando daños sobre el producto y riesgos de descargas eléctricas o incendios.
- Evite rayaduras o impactos sobre las puertas de vidrio o los paneles de control. Hacer esto podrá producir la rotura de vidrios. No cocine un producto con un vidrio roto. Es posible que se produzcan descargas, incendios o cortes.
- El propósito del cajón para calentar es mantener las comidas cocinadas a temperatura para servir (superior a 140°F). Se generarán bacterias si la comida se encuentra a menos de 140°F. Por lo tanto, siempre comience con comida caliente; la comida fría no se podrá calentar ni cocinar en el cajón para calentar.

LEA Y GUARDE ESTAS INSTRUCCIONES

INFORMACIÓN IMPORTANTE DE SEGURIDAD

LEA TODAS LAS INSTRUCCIONES ANTES DE USAR

▲ADVERTENCIA MANTENGA LOS MATERIALES INFLAMABLES ALEJADOS DEL CAJÓN PARA CALENTAR

Si esto no se cumple, se podrán sufrir lesiones personales graves o incendios.

- No guarde ni use materiales inflamables en o cerca de un cajón para calentar, incluyendo papel, plástico, mangos de ollas, trapos, cobertores de pared, cortinas, paños y gasolina u otros vapores y líquidos inflamables.
- Nunca use prendas holgadas o que cuelguen mientras usa el electrodoméstico. Estas prendas se podrán incendiar si entran en contacto con superficies calientes, ocasionando quemaduras graves.
- No permita que la grasa de la cocción u otros materiales inflamables se acumulen en o cerca del cajón para calentar. La grasa que se encuentre en el cajón para calentar o cerca del mismo se podrá incendiar.

▲ADVERTENCIA EN CASO DE INCENDIO, SIGA LOS SIGUIENTES PASOS PARA EVITAR LESIONES Y LA PROPAGACIÓN DEL FUEGO

- No use agua sobre el fuego de la grasa. Nunca tome una olla que se esté incendiando.
- Si hay un incendio en el cajón para calentar, ahogue el fuego cerrando la puerta del cajón para calentar y apagando el mismo o usando un químico seco multipropósito o un extintor de incendio con espuma.

▲ADVERTENCIA INSTRUCCIONES DE SEGURIDAD DEL CAJÓN PARA CALENTAR

- Manténgase alejado del cajón para calentar al abrir la puerta del mismo. El aire caliente o el vapor que sale puede causar quemaduras en las manos, rostro y/u ojos.
- Mantenga desobstruida la ventilación del cajón para calentar.
- Mantenga el cajón para calentar libre de acumulación de grasa. La grasa del cajón para calentar se podrá incendiar.
- Coloque los estantes del cajón para calentar en la ubicación deseada mientras éste se encuentre frío. Si es necesario mover el estante mientras el cajón para calentar está caliente, evite que el mango de la olla tenga contacto con el elemento de calentamiento que se encuentra caliente en el cajón para calentar.
- No deje productos tales como papel, utensilios de cocina o comida en el cajón para calentar cuando no esté en uso. Los ítems guardados en el cajón para calentar se podrán incendiar.

Cómo Retirar la Película Protectora de Envío y la Cinta de Embalaje

Con cuidado tome un extremo de la película protectora de envío con los dedos y lentamente retire la misma de la superficie del electrodoméstico. No utilice ningún producto filoso para retirar la película. Retire toda la película antes de usar el electrodoméstico por primera vez.

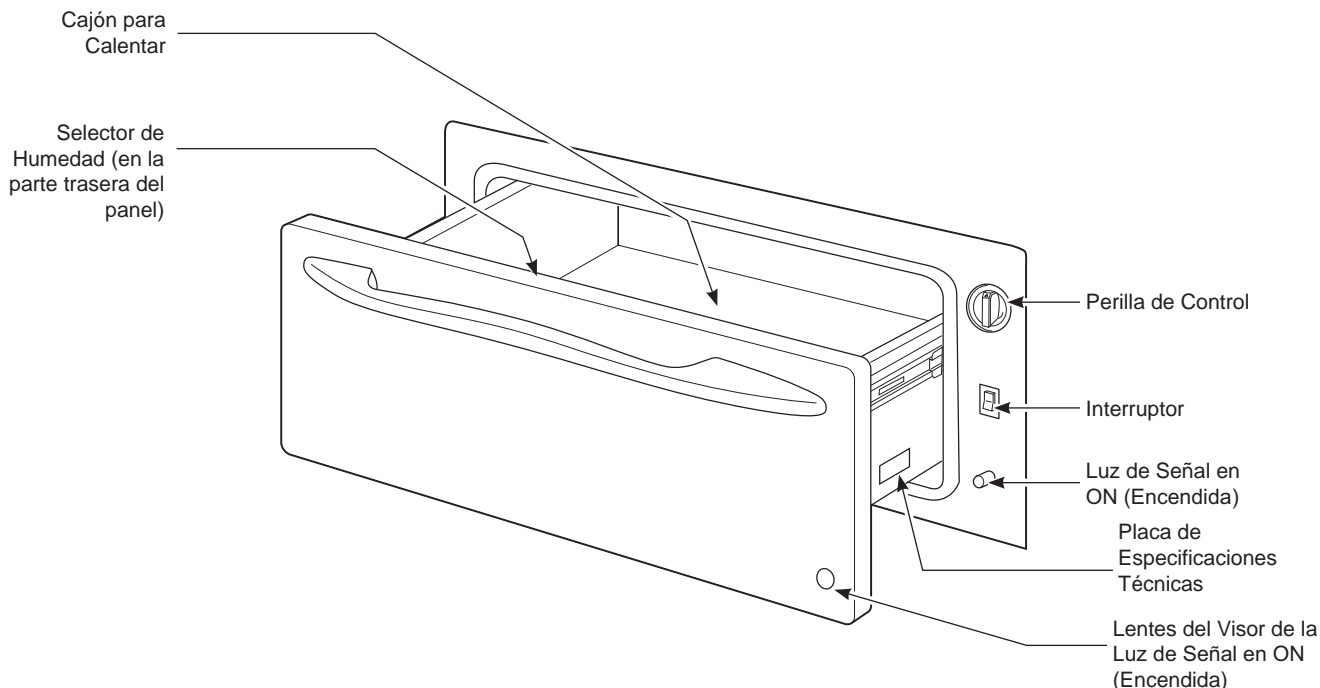
Para asegurar que no haya daños sobre el acabado del producto, la forma más segura de retirar el adhesivo de la cinta de embalaje en electrodomésticos nuevos es aplicando un detergente líquido hogareño para lavar platos. Aplique con una tela suave y deje que se seque.

NOTA: El adhesivo deberá ser eliminado de todas las partes. No se puede retirar si se hornea con éste dentro.

LEA Y GUARDE ESTAS INSTRUCCIONES

Funciones

No todas las funciones corresponden a todos los modelos. El aspecto puede variar.



El cajón para calentar mantendrá las comidas calientes y cocinadas en la temperatura para servir. Siempre comience con comida caliente. No lo use para calentar comida fría excepto para leudar masa de levadura, galletas crujientes, papas fritas o cereales secos.

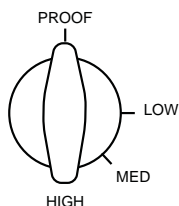
Perilla de Control

Los controles del cajón para calentar se encuentran escondidos en el cierre del cajón. Abra el cajón. Los controles están sobre el lado derecho del marco frontal.

Gire la perilla de control hasta la posición deseada.

Para usar el cajón para calentar, presione el interruptor **ON/OFF** (Encender/ Apagar) en la posición **ON** (Encender).

Deslice el control del selector de humedad sobre la posición abierta o apagada (Consulte la sección del Selector de Humedad).



PROOF (Leudar)	75 a 95°F
LOW (Bajo)	140 a 160°F
MED (Medio)	160 a 195°F
HIGH (Alto)	195 a 230°F

Luz de Señal en ON (Encendida)

La luz de señal **ON** (Encendida) se encuentra ubicada debajo del interruptor **ON/OFF** (Encendido/ Apagado) y brilla cuando el interruptor **ON/OFF** (Encendido/ Apagado) está en la posición **ON** (Encendido). Permanece encendido hasta que el interruptor **ON/OFF** (Encendido/ Apagado) se mueve a la posición **OFF** (Apagado).

La luz de señal **ON** (Encendido) es visible a través del visor de luz en el panel frontal del cajón cuando se cierra el cajón. Éste es un recordatorio de que el calor está activado.

Selector de Humedad

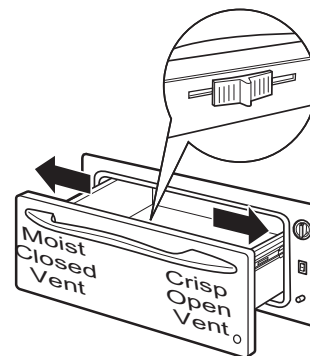
El selector de humedad se encuentra ubicado en el frente interior del cajón.

Para mantener las comidas húmedas, deslice el control del selector de humedad hacia afuera de la perilla de control. Esto cierra la ventilación y sella la humedad dentro del cajón. Con la ventilación cerrada las comidas calientes permanecen húmedas y suaves.

Para mantener las comidas crocantes, deslice el control del selector de humedad hacia la derecha en dirección a la perilla de control. Esto abre las ventilaciones y permite que la humedad salga.

En esta configuración, se podrá producir condensación alrededor del extremo interior del cajón.

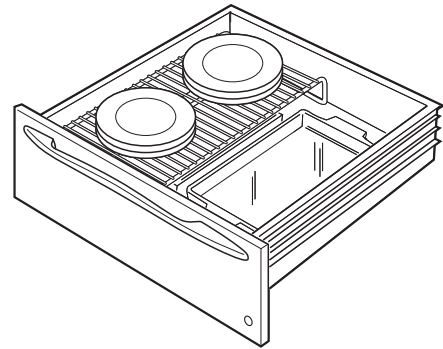
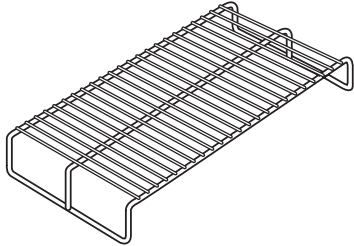
Con las ventilaciones abiertas, es normal que se acumule humedad sobre superficies que están por encima del cajón para calentar.



Consejos de Funcionamiento

Estante

- El estante calzará desde el frente hasta la parte trasera.
- Precaliente con el estante en su posición.
- El uso del estante permite un doble apilamiento de los ítems.



Apilamiento doble de los ítems con el estante en su posición.

Al Usar el Cajón para Calentar

No alinee el cajón para calentar con el papel de aluminio.

- Deje transcurrir un tiempo hasta que el cajón se precaliente:

LOW (Bajo)	8 minutos
MED (medio)	15 minutos
HIGH (Alto)	20 minutos

NOTA: No es necesario precalentar el cajón para leudar.

Es posible que la comida en recipientes de vidrio con protección térmica o cacerolas de vidrio cerámico necesiten una configuración más alta del termostato en comparación con las comidas en cacerolas metálicas.

- La apertura repetida del cajón permite que el aire caliente salga y que la comida se enfríe. Deje transcurrir un tiempo adicional para que la temperatura interior del cajón se estabilice luego de agregar ítems.

- Con cantidades grandes es posible que sea necesario usar una configuración de termostato más alta y cubrir algunos de los ítems de comida cocinados.
- La comida se deberá mantener caliente en su envase de cocción o ser transferida a un plato con protección térmica para servir.
- Se podrá usar papel de aluminio para cubrir la comida, a fin de evitar que se seque.

⚠ PRECAUCIÓN

Los envases de plástico o envoltorios de plásticos se derretirán si entran en contacto directo con el cajón. Es posible que no pueda quitar el plástico derretido y esto no está cubierto por la garantía.

- Retire las cucharas para servir, etc., antes de colocar envases en el cajón para calentar.

Para Calentar Tazones y Platos para Servir

Para calentar tazones y platos para servir configure el control en LOW (Bajo).

- Use sólo platos resistentes al calor.
- Coloque los platos vacíos en el estante para elevarlos de la parte inferior del cajón. Si desea platos más calientes o calentar porcelana fina, consulte al fabricante de los platos sobre el nivel de tolerancia máxima de calor.
- Precaliente el plato para servir vacío mientras precalienta el cajón.

- Al mantener calientes comidas ya cocinadas y al calentar platos vacíos para servir al mismo tiempo, coloque los platos para servir en la posición de estantes alta y la comida en la parte inferior del cajón.

⚠ PRECAUCIÓN

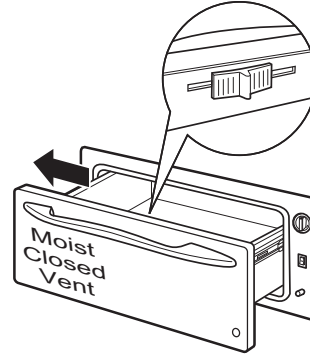
Es posible que los platos estén calientes. Use suspensores de ollas o guantes al retirar platos calientes.

Consejos de Funcionamiento

La masa con levadura se podrá leudar en el cajón para calentar.

La masa con levadura se podrá leudar en el cajón para calentar.

- Coloque su plato en la parte inferior del cajón para calentar.
- Siempre deberá girar la perilla de control hasta **LOW** (Bajo) y luego inmediatamente de nuevo a **PROOF** (Leudar).
- Cierre la ventilación.
- Aceite levemente la parte superior de la masa en un recipiente lo suficientemente grande como para duplicar el tamaño de la masa. Cubra con una tela.
- No es necesario el precalentamiento para leudar.
- Controle la altura de la masa en 40 minutos. Agregue tiempo según sea necesario. La masa deberá permanecer en el cajón hasta que haya duplicado su tamaño y se produzca una leve depresión cuando se toque la superficie de forma suave con el dedo.

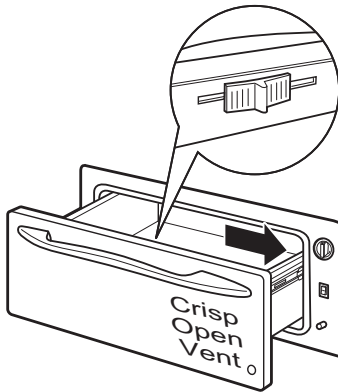


Para que Ítems Duros queden Crocantes

- Coloque comida en platos o cacerolas de la parte inferior.
- Precaliente en la configuración LOW (Baja) y abra la ventilación.
- Controle si está crocante luego de 45 minutos. Agregue tiempo según sea necesario.

Cuadro de Selección de Temperatura para Comidas Crocantes

Para mantener calientes varios tipos de comidas diferentes, programe la temperatura en la configuración para comidas que necesitan el grado más alto. Coloque los ítems que necesiten la configuración más alta en la parte inferior del cajón, y en el estante los ítems que necesiten menos calor.



Tipo de Comida	Configuración del Control	Configuración del Selector de Humedad
Tocino	HIGH (Alto)	ABRIR
Pan, panes crocantes	MED (Medio)	ABRIR
Pan, panes crocantes	HIGH (Alto)	ABRIR
Tartas, doble crocante	MED (Medio)	ABRIR
Pizza	HIGH (Alto)	ABRIR
Papas, horneadas	HIGH (Alto)	ABRIR
Tortilla Chips	LOW (Baja)	ABRIR

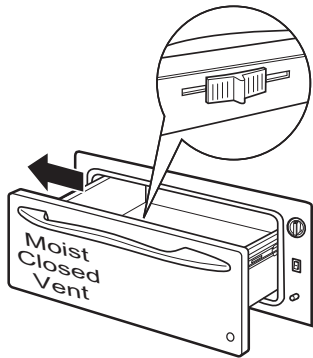
Consejos:

- Deje la comida descubierta.
- No use recipientes ni envoltorios de plástico.
- Precaliente antes del uso siguiendo los tiempos recomendados.

Consejos de Funcionamiento

Cuadro de Selección de Temperatura para Comidas Húmedas

Para mantener calientes varios tipos de comidas diferentes, programe la temperatura en la configuración para comidas que necesitan el grado más alto. Coloque los ítems que necesiten la configuración más alta en la parte inferior del cajón, y en el estante los ítems que necesiten menos calor.



Tipo de Comida	Configuración del Control	Configuración del Selector de Humedad
Bife, medio o bien cocido*	MED (medio)	CERRADO
Pan, panes blandos	MED (medio)	CERRADO
Cazuelas	MED (medio)	CERRADO
Cereal cocido	MED (medio)	CERRADO
Huevos	MED (medio)	CERRADO
Pescado, mariscos	MED (medio)	CERRADO
Fruta	MED (medio)	CERRADO
Salsa para carne, salsas cremosas	MED (medio)	CERRADO
Jamón	MED (medio)	CERRADO
Cordero	MED (medio)	CERRADO
Panqueques, gofres	HIGH (Alto)	CERRADO
Tartas, una capa crocante	MED (medio)	CERRADO
Cerdo	MED (medio)	CERRADO
Papas, pisadas	MED (medio)	CERRADO
Ave	HIGH (Alto)	CERRADO
Vegetables	MED (medio)	CERRADO

*USDA/FSIS recomienda una temperatura interior de 145°F (62°C) como mínimo para un bife. Use un termómetro para carne portátil para controlar las temperaturas interiores.

Consejos:

- Cubra la comida con una tapa o papel de aluminio.
- No coloque agua en el cajón para calentar.
- No use recipientes ni envoltorios de plástico.
- Precaliente antes del uso siguiendo los tiempos recomendados.

Limpieza del Cajón para Calentar

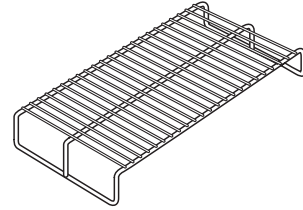
Asegúrese que todos los controles estén en la posición OFF (Apagado) y que todas las superficies estén frías antes de limpiar cualquier parte del cajón para calentar.

Superficies Pintadas o Esmaltadas

Use agua caliente y jabón para limpiar a fondo.

Estante

Limpe el estante con detergente y agua. Luego de la limpieza, enjuague el estante con agua limpia y seque con una tela limpia.



Acero Inoxidable

No use una viruta de acero; ésta dañara la superficie.

Para limpiar la superficie de acero inoxidable, use agua tibia con jabón o un limpiador o pulidor para acero inoxidable. Siempre limpie la superficie en la dirección del veteado. Siga las instrucciones del limpiador para limpiar la superficie de acero inoxidable.

Los limpiadores con ácido oxálico tales como Bar Keepers Friend Soft Cleanser™ eliminarán el óxido, deslustres y pequeñas manchas. Use sólo un limpiador líquido libre de material abrasivo y frote en la dirección de las líneas del cepillo con una esponja suave y húmeda.

Para realizar consultas sobre la adquisición de productos de limpieza, incluyendo limpiadores o pulidores para electrodomésticos de acero inoxidable, lea las secciones de Accesorios y Soporte al Consumidor al final de este manual.

Perilla de Control

La perilla de control se puede retirar para facilitar la limpieza.

Asegúrese de que la perilla esté en la posición PROOF (Leudar) y extraiga la misma desde el vástago para su limpieza.

La perilla se deberá lavar con agua y jabón. Asegúrese que el interior de la perilla esté seco antes de volver a colocarla.

Vuelva a ubicar la perilla en la posición PROOF (Leudar) para asegurar una colocación adecuada.

Instrucciones de instalación

Cajón para Calentar PKW7000 y PTW9000

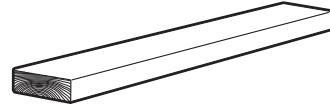
? Si tiene preguntas, llame a GE Appliances al 800.GE.CARES (800.432.2737) o visite nuestro sitio web en: GEAppliances.com.

ANTES DE COMENZAR

Lea estas instrucciones en su totalidad y atentamente.

- **IMPORTANTE** – Conserve estas instrucciones para uso del inspector local.
- **IMPORTANTE** – Cumpla con todos los códigos y ordenanzas gubernamentales.
- **Nota para el Instalador** – Asegúrese de entregarle estas instrucciones al Consumidor.
- **Nota para el Comprador** – Guarde estas instrucciones para referencia futura.
- Si se producen fallas en el producto debido a una instalación inadecuada, la Garantía no cubrirá las mismas.
- **⚠ ADVERTENCIA** Este electrodoméstico deberá estar conectado a tierra de forma adecuada.
- **⚠ ADVERTENCIA** Asegúrese de que el cable de corriente no tenga contacto con las superficies calientes en la parte inferior de los hornos, superficies de cocción, u otros electrodomésticos.
- **ATENCIÓN INSTALADOR** – La instalación correcta es responsabilidad del instalador y cualquier falla del producto debido a una instalación inadecuada NO estará cubierta por la garantía.

MATERIALES NECESARIOS



Madera para tirantes y abrazaderas de 2 x 4 o 2 x 2



Tornillos de madera y adhesivos u otros materiales para la instalación de tirantes o una repisa para sostener el cajón para calentar.

Los tirantes deberán estar nivelados, montados de forma rígida y deberán poder soportar 150 libras.

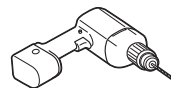
HERRAMIENTAS REQUERIDAS



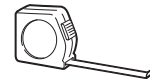
Sierra Manual



Gafas de Seguridad



Taladro y broca de 1/16"



Cinta de Medición



Destornillador Phillips



Nivel



Guantes Resistentes a Cortes

Instrucciones de instalación

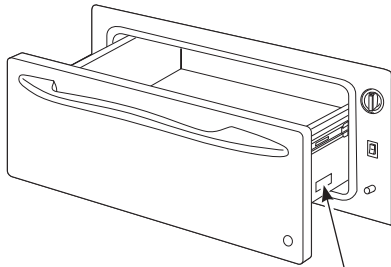
INSTRUCCIONES IMPORTANTES DE SEGURIDAD

INSTRUCCIONES DE CONEXIÓN A TIERRA

IMPORTANTE – (Lea detenidamente)

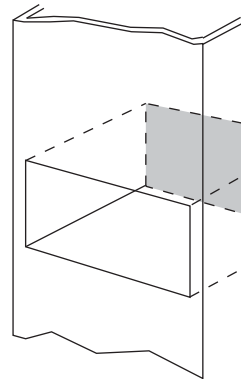
PARA SU SEGURIDAD PERSONAL, ESTE ELECTRODOMÉSTICO DEBERÁ ESTAR ADECUADAMENTE CONECTADO A TIERRA.

Este cajón para calentar deberá ser provisto con 120V, 60Hz, y estar conectado a un circuito de empalmes individual correctamente conectado a tierra, y protegido por un disyuntor o fusible de retardo de 15 o 20 amp.



Placa de Especificaciones Técnicas

- Un receptáculo de 3 cables correctamente conectado a tierra deberá estar ubicado dentro del alcance del cable de corriente largo de 56" del cajón.
- Ubique el receptáculo en un gabinete adyacente.
 - dentro de las 42" del lado derecho o,
 - dentro de las 16" del lado izquierdo o,
 - Un receptáculo empotrado podrá estar ubicado del lado derecho del espacio libre, a un mínimo de 7" desde la parte trasera del gabinete. En esta ubicación, el cable de corriente excedente deberá estar enroscado y encintado sobre el lado derecho de la unidad.



Receptáculo empotrado de 7" de máx. desde la parte trasera del lado derecho

Perfore un agujero de 1 1/2" para el cable de corriente para la ubicación de salida izquierda o derecha.

IMPORTANTE – (Lea detenidamente)

El cable de corriente de este electrodoméstico cuenta con un enchufe de 3 cables (con cable a tierra) que se conecta a un tomacorriente de pared estándar de 3 cables con conexión a tierra para minimizar la posibilidad de descargas eléctricas. El cliente deberá contratar a un electricista calificado para que controle el receptáculo de pared y el circuito, a fin de asegurar que el receptáculo esté correctamente conectado a tierra y que posea la polaridad adecuada.

- En caso de contar con un tomacorriente de pared de 2 cables, es la responsabilidad y obligación del cliente reemplazarlo por un receptáculo de pared de 3 cables correctamente conectado a tierra.

Nunca, bajo ninguna circunstancia, corte o elimine el tercer cable (tierra) del cable de corriente.

NO USE PROLONGADORES NI ENCHUFES ADAPTADORES CON ESTE ELECTRODOMÉSTICO. CUMPLA CON LOS CÓDIGOS Y ORDENANZAS NACIONALES DE ELECTRICIDAD.

LISTA DE CONTROL DE PREINSTALACIÓN

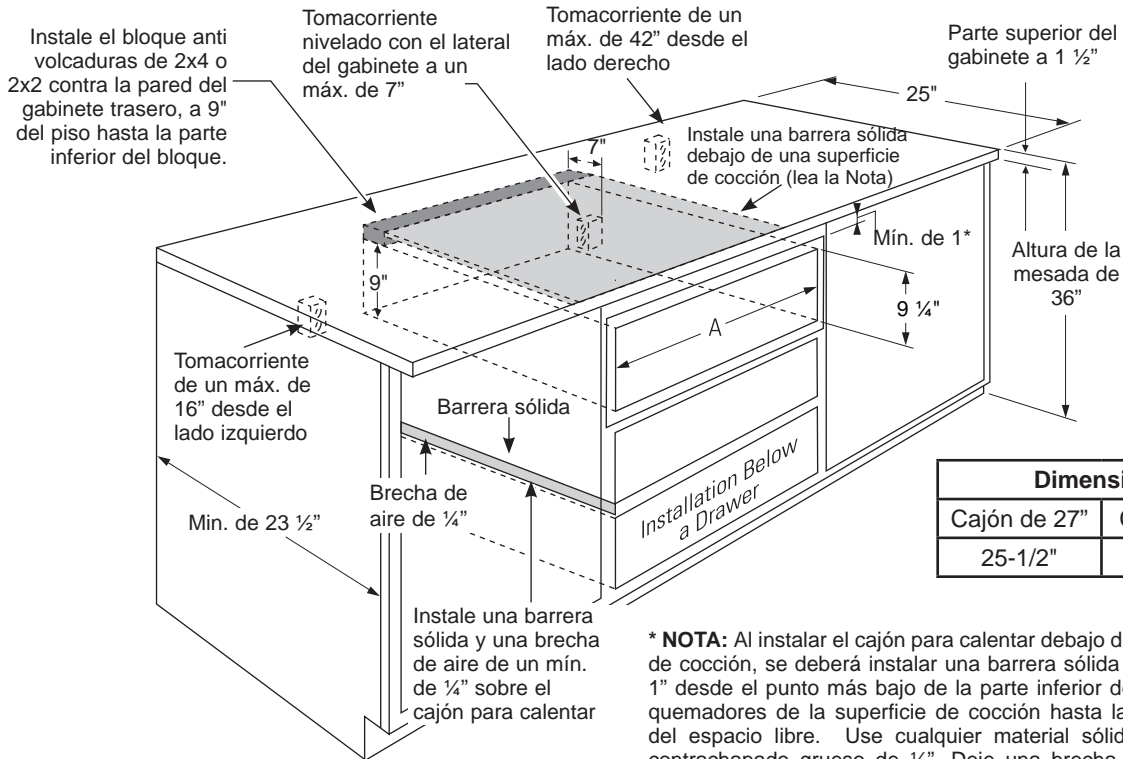
A Al preparar el gabinete del cajón para calentar, asegúrese de que el interior del gabinete y el cajón para calentar no interfieran uno con otro. (Consulte las secciones sobre la preparación del gabinete).

B **RETIRE LOS MATERIALES DE EMBALAJE:** Si no se retiran los materiales del embalaje se podrán producir daños sobre el electrodoméstico. Retire todas las piezas embaladas del cajón para calentar, incluyendo levantar el cajón para calentar a fin de configurar que todo el embalaje fue retirado.

C Retire las Instrucciones de Instalación del paquete de instrucciones y lea las mismas de forma detenida antes de comenzar. Asegúrese de colocar todas las instrucciones, el Manual del Propietario, las Instrucciones de Instalación, etc., en un lugar seguro para referencia futura.

Instrucciones de instalación

PREPARACIÓN DEL GABINETE. DEBAJO DE UNA MESADA



*** NOTA:** Al instalar el cajón para calentar debajo de una superficie de cocción, se deberá instalar una barrera sólida a por lo menos 1" desde el punto más bajo de la parte inferior de la caja de los quemadores de la superficie de cocción hasta la parte superior del espacio libre. Use cualquier material sólido tal como un contrachapado grueso de 1/4". Deje una brecha de aire de por lo menos 1/4" entre la barrera y la parte superior del cajón para calentar. Consulte la etiqueta en la parte superior del cajón para calentar para conocer los modelos de superficies de cocción aprobados.

- Una vez instalado, la cara frontal del cajón para calentar estará correctamente nivelado con las puertas de los gabinetes y frentes de los cajones.
- Las superposiciones de los cajones esconderán los extremos puntiagudos en todos los lados de la abertura.

La apertura aproximada del cajón deberá ser de:

- Profundidad: Mínimo de 23 1/2" desde la parte interior trasera hasta el frente del marco del gabinete.
- Ancho: modelos de 25 1/2" por 27" de ancho
modelos de 28 1/2" por 30" de ancho
- Alto: 9 1/4"
- Mínimo de 5" sobre el piso o zócalo sobre 1". Se recomiendan 23 1/4" desde el piso hasta la parte inferior del espacio libre para la instalación en bajo mesadas.

Instalación debajo del cajón de un gabinete:

El cajón para calentar se podrá instalar debajo del cajón de un gabinete. En esta instalación, se deberá instalar una barrera sólida sobre el cajón para calentar a fin de bloquear el acceso. Use cualquier material sólido tal como un contrachapado grueso de 1/4". Deje una brecha de aire de por lo menos 1/4" entre la barrera y la parte superior del cajón para calentar. Respete el mín. de 5" sobre el piso o 1" sobre la altura mín. de instalación del zócalo.

NOTA: Si realizará la instalación en gabinetes sin marco, será necesario instalar ristreles anchos de 1/2" que acepten los tornillos de montaje del cajón. Observe el cajón para encontrar las ubicaciones exactas de los tornillos de montaje.

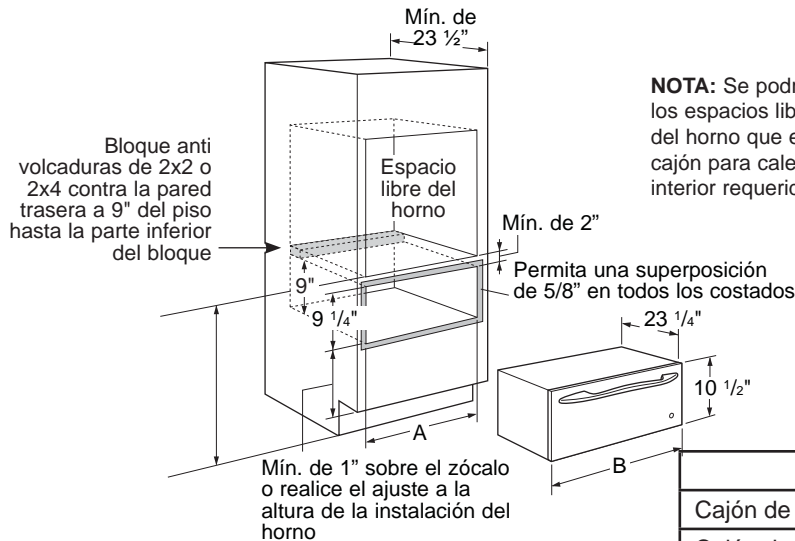
Cuando se instale debajo de una superficie de cocción:

Los cajones para calentar se adaptan a instalaciones sólo debajo de ciertos modelos de superficies de cocción especificados. Consulte la etiqueta adjunta a la parte superior del cajón para calentar a fin de conocer los modelos que se adaptan. Se requiere una barrera sólida y una brecha de aire entre la superficie de cocción y el cajón para calentar. Lea la Nota que aparece más arriba.

Instrucciones de instalación

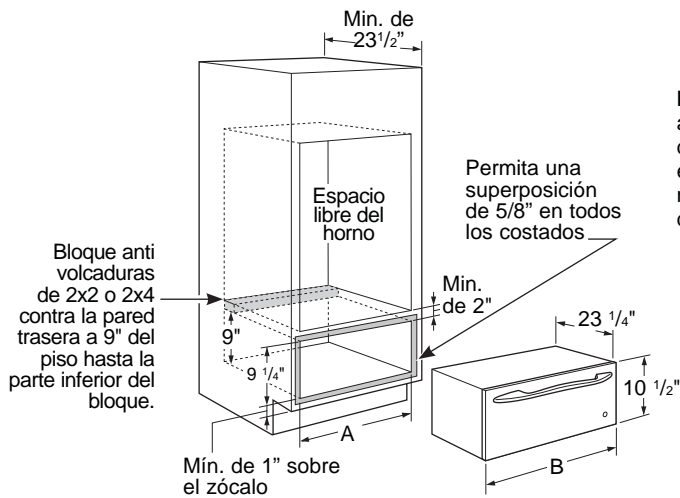
PREPARACIÓN DEL GABINETE: HORNOS DEBAJO DE LAS PAREDES

INSTALACIÓN DEBAJO DE UN HORNO SIMPLE



NOTA: Se podrá requerir aberturas adicionales entre los espacios libres. Asegúrese de que los soportes del horno que están por encima de la ubicación del cajón para calentar no obstruyan la profundidad interior requerida de 23 1/2" y la altura de 9 1/4".

INSTALACIÓN DEBAJO DE UN HORNO DOBLE



NOTA: Se podrán requerir aberturas adicionales entre los espacios libres. Asegúrese de que los soportes del horno que están por encima de la ubicación del cajón para calentar no obstruyan la profundidad interior requerida de 23 1/2" y la altura de 9 1/4".

- Una vez instalado, la cara frontal del cajón para calentar estará correctamente nivelada con las puertas de los gabinetes y frentes de los cajones.
- Las superposiciones de los cajones esconderán los extremos puntiagudos en todos los lados de la abertura.

La apertura aproximada del cajón deberá ser de:

- Profundidad: Mínimo de 23 1/2" desde la parte interior trasera hasta el frente del marco del gabinete.
- Ancho: modelos de 25 1/2" por 27" de ancho
modelos de 28 1/2" por 30" de ancho
- Alto: 9 1/4"
- Deje un mínimo de 2" entre el horno y los espacios libres del cajón para los espacios de las superposiciones.

NOTA: Si realizará la instalación en gabinetes sin marco, será necesario instalar ristreles anchos de 1/2" que acepten los tornillos de montaje del cajón. Observe el cajón para encontrar las ubicaciones exactas de los tornillos de montaje.

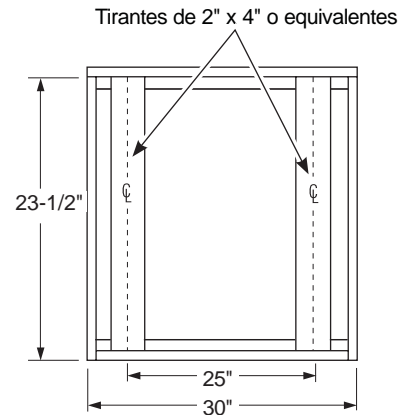
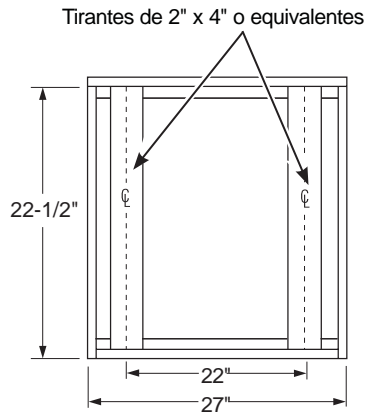
Cuando se instale debajo de un horno de pared:

Los cajones para calentar se adaptan a instalaciones sólo debajo de ciertos modelos de horno de pared especificados. Consulte la etiqueta adjunta a la parte superior del cajón para calentar para conocer los modelos que se adaptan.

NOTA: El receptáculo eléctrico se podrá instalar como se muestra para las instalaciones sobre mesadas. No instale el receptáculo sobre la parte superior del espacio libre del cajón para calentar.

Instrucciones de instalación

INSTALACIÓN DEL SOPORTE DEL GABINETE



IMPORTANTE: Cuando se instalen debajo de un horno simple o doble, asegúrese de que cualquier soporte del horno que se encuentre por encima del espacio libre no obstruya la profundidad requerida de 22 1/2" o 23 1/2" del espacio libre del cajón para calentar.

- Se requiere un espacio libre mínimo de 2" entre el horno y el cajón para calentar. Se podrá requerir espacio adicional si se usan bloques de 2 x 4 para sostener los tirantes o el piso sólido del horno que está encima.

- El cajón para calentar podrá estar apoyado por tirantes inferiores sólidos de 2 x 4 o 2 x 2.
- El soporte deberá estar nivelado y montado de forma rígida, a nivel con el extremo inferior del espacio libre.
No hay forma de nivelar el cajón una vez que fue instalado. Asegúrese de que los soportes estén nivelados.
- Todo el peso del cajón está apoyado sobre los tirantes o el piso sólido y deberán poder soportar 150 libras.

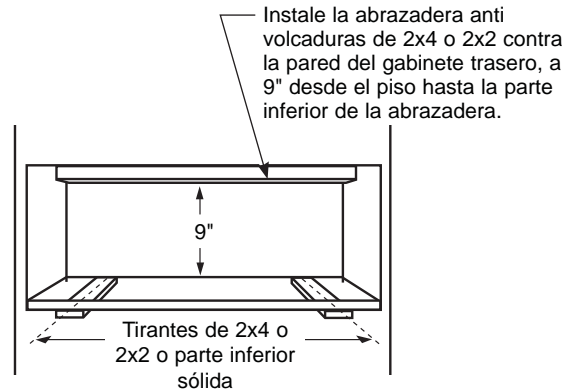
Instrucciones de instalación

INSTALACIÓN DEL SOPORTE ANTI VOLCADURAS

⚠️ ADVERTENCIA PRECAUCIONES ANTI VOLCADURAS:

Se deberá instalar la abrazadera anti volcaduras para evitar que el cajón se vuelque hacia adelante cuando se abra y cargue.

Si esto no se cumple, se podrán sufrir lesiones personales.



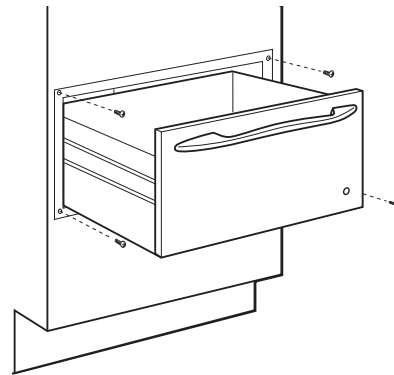
INSTALACIÓN DEL CAJÓN PARA CALENTAR

1. Deslice la esquina izquierda sobre la abertura y empuje el cable de corriente dentro del agujero que conduce hasta la ubicación del tomacorriente. Pase el cable a medida que el cajón se está empujando hacia atrás en la abertura.

Si se instala la salida dentro de la abertura, enchufe el cable en el tomacorriente. En esta ubicación, el cable de corriente excedente deberá estar enroscado y encintado sobre el lado derecho de la unidad. Asegúrese de que el cable no quede atrapado por el cajón.

NOTA: Asegúrese de que el cable de corriente no tenga contacto con las superficies calientes en la parte inferior de los hornos, superficies de cocción, u otros electrodomésticos.

2. Empuje el cajón hacia atrás hasta que la brida esté nivelada con el frente del gabinete.
3. Abra el cajón completamente.



4. Perfore agujeros piloto a través de los agujeros de la estructura que se superpone, uno en cada esquina.
5. Coloque los tornillos de madera provistos en cada esquina.

Consejos para la Solución de Problemas... Antes de solicitar el servicio técnico

¡Ahorre tiempo y dinero! Primero revise los cuadros que aparecen en las siguientes páginas y es posible que no necesite solicitar reparaciones.

Problema	Causa Posible	Qué Hacer
El cajón para calentar no funciona	Es posible que haya un fusible quemado en su hogar o que se haya desconectado el disyuntor.	Reemplace el fusible o reinicie el disyuntor.
	El cajón para calentar no está enchufado.	Enchufe el mismo.
	El control está configurado de forma incorrecta.	Consulte la sección de Uso del cajón para calentar.
El cajón no se desliza de forma pareja o se arrastra.	Las ruedas deslizantes están desalineadas.	Extienda totalmente el cajón y empuje el mismo totalmente hacia adentro. Consulte la sección de Cuidado y limpieza.
	El cajón está sobrecargado o la carga está desbalanceada.	Reduzca el peso a menos de 50 libras. Redistribuya los contenidos del cajón.
Condensación excesiva	Líquido en el cajón para calentar	Retire el líquido.
	Comidas no cubiertas	Cubra la comida con una tapa o papel de aluminio.
	La configuración de temperatura es demasiado alta.	Reduzca la configuración de temperatura.
	Configuración incorrecta del Selector de Humedad	Ajuste el Selector de Humedad en la configuración de ventilación abierta para permitir la ventilación.
No hay calor en la configuración PROOF (Leudar).	Es posible que la temperatura de la sala impida que el termostato se active.	Gire la perilla a LOW (Bajo) y luego nuevamente a PROOF (Leudar).
La comida se secó.	Escape de humedad	Cubra la comida con una tapa o papel de aluminio.

Garantía Limitada de la Cocina Eléctrica de GE Appliances

GARANTÍA LIMITADA

GEAppliances.com

Todo el servicio de garantía es provisto por nuestros Centros de Servicio de Fabricación, o un técnico autorizado de Customer Care®. Para programar una visita del servicio técnico a través de Internet, visítenos en GEAppliances.com/servic, o llame al 800.GE.CARES (800.432.2737). Cuando llame para solicitar el servicio, tenga los números de serie y modelo disponibles.

Para realizar el servicio técnico de su electrodoméstico, se podrá requerir el uso de datos del puerto de abordaje para su diagnóstico. Esto da al técnico del servicio de fábrica de GE Appliances la habilidad de diagnosticar de forma rápida cualquier problema con su electrodoméstico, y de ayudar a GE Appliances a mejorar sus productos al brindarle a GE Appliances la información sobre su electrodoméstico. Si no desea que los datos de su electrodoméstico sean enviados a GE Appliances, solicitamos que le indique a su técnico no entregar los datos a GE Appliances en el momento del servicio.

Por el Período de	GE Appliances reemplazará
Un Año Desde la fecha de la compra original	Cualquier parte de la cocina que falle debido a un defecto en los materiales o la fabricación. Durante esta garantía limitada de un año , GE Appliances también proveerá, sin costo , todo el trabajo y el servicio en el hogar para reemplazar la parte que presente defectos.

Qué no cubrirá GE Appliances:

- Viajes del técnico del servicio a su hogar para enseñarle sobre cómo usar el producto.
- Instalación, entrega o mantenimiento inadecuados.
- Fallas del producto en caso de abuso, mal uso, modificación o uso para propósitos diferentes al original o uso comercial.
- Reemplazo de fusibles de la casa o reinicio de disyuntores.
- Daños ocasionados sobre el producto por accidente, incendio, inundaciones o catástrofes naturales.
- Daños sobre el acabado, tales como óxido sobre la superficie, deslustres o manchas pequeñas no informadas dentro de las 48 horas luego de la entrega.
- Daños incidentales o consecuentes causados por posibles defectos sobre este producto.
- Daño causado después de la entrega.
- Producto no accesible para brindar el servicio requerido.
- Solicite el servicio técnico para reparar o reemplazar las lámparas, excepto las lámparas LED.

EXCLUSIÓN DE GARANTÍAS IMPLÍCITAS

Su única y exclusiva alternativa es la reparación del producto, como se indica en la Garantía Limitada. Las garantías implícitas, incluyendo garantías implícitas de comerciabilidad o conveniencia sobre un propósito particular, se limitan a un año o al período más corto permitido por la ley.

Esta garantía limitada se extiende al comprador original y a cualquier propietario posterior de los productos comprados para uso doméstico dentro de EE. UU. Si el producto está en un área donde no se encuentra disponible un Proveedor Autorizado del Servicio Técnico de GE Appliances, usted será responsable por el costo de un viaje o se podrá requerir que traiga el producto a una ubicación del Servicio Técnico de GE Appliances autorizado para recibir el servicio. En Alaska, la garantía limitada excluye el costo de envío o visitas de servicio a su domicilio. Algunos estados no permiten la exclusión o limitación de daños fortuitos o consecuentes. Esta garantía limitada le otorga derechos legales específicos, y usted también podría tener otros derechos que varían de estado a estado. Para conocer cuáles son sus derechos legales, consulte a la oficina de asuntos del consumidor local o estatal o al Fiscal de su estado.

Garante: GE Appliances, a Haier company

Louisville, KY 40225

Abroche su recibo aquí. Para acceder al servicio técnico de acuerdo con la garantía deberá contar con la prueba de la fecha original de compra.

Notas

Accesorios

¿Busca Algo Más?

¡GE Appliances ofrece una variedad de accesorios para mejorar sus experiencias de cocción y mantenimiento!

Consulte la página de Apoyo al Consumidor para información sobre la página web.

Estos y otros productos están disponibles:

Piezas

Kit del Panel a Medida de 27" de Ancho

Kit del Panel a Medida de 30" de Ancho

Kit de panel Pro de 30" Monogram

Piezas

Estante con Rejilla

Suministros de Limpieza

Limpiadores de Acero Inoxidable CitriShine

Limpiador para Electrodomésticos de Acero Inoxidable

Soporte para el Consumidor

Sitio Web de GE Appliances

¿Desea realizar una consulta o necesita ayuda con su electrodoméstico? ¡Intente a través del Sitio Web de GE Appliances las 24 horas del día, cualquier día del año! Usted también puede comprar más electrodomésticos maravillosos de GE Appliances y aprovechar todos nuestros servicios de soporte a través de Internet, diseñados para su conveniencia.

En EE.UU.: GEAppliances.com

Registre su Electrodoméstico

¡Registre su electrodoméstico nuevo a través de Internet, según su conveniencia! Un registro puntual de su producto permitirá una mejor comunicación y un servicio más puntual de acuerdo con los términos de su garantía, en caso de surgir la necesidad. También puede enviar una carta en la tarjeta de inscripción preimpresa que se incluye con el material embalado.

En EE.UU.: GEAppliances.com/register

Servicio Programado

El servicio de reparación de expertos de GE Appliances está a sólo un paso de su puerta. Conéctese a través de Internet y programe su servicio a su conveniencia cualquier día del año. En EE.UU.: GEAppliances.com/service o comuníquese al 800.432.2737 durante el horario de atención comercial.

Garantías Extendidas

Adquiera una garantía extendida de GE Appliances y conozca los descuentos especiales que están disponibles mientras su garantía aún está vigente. La puede adquirir en cualquier momento a través de Internet. Los servicios de GE Appliances aún estarán allí cuando su garantía caduque.

En EE.UU.: GEAppliances.com/extended-warranty

o comuníquese al 800.626.2224 durante el horario de atención comercial.

Conectividad Remota

Para solicitar asistencia para la conectividad de red inalámbrica (para modelos con acceso remoto), visite nuestro sitio web en GEAppliances.com/connect o comuníquese al 800.220.6899 en EE.UU.

Piezas y Accesorios

Aquellos individuos calificados para realizar el servicio técnico de sus propios electrodomésticos podrán solicitar el envío de piezas o accesorios directamente a sus hogares (se aceptan las tarjetas VISA, MasterCard y Discover). Ordene hoy a través de Internet durante las 24 horas, todos los días. En EE.UU.: GEApplianceparts.com o de forma telefónica al 877.959.8688 durante el horario de atención comercial.

Las instrucciones que figuran en este manual cubren los procedimientos que serán realizados por cualquier usuario. Otros servicios técnicos generalmente deben ser derivados a personal calificado del servicio. Se deberá tener cuidado, ya que una reparación indebida podrá hacer que el funcionamiento no sea seguro.

Contáctenos

Si no se encuentra satisfecho con el servicio que recibió de GE Appliances, comuníquese con nosotros a través de nuestro sitio Web con todos los detalles, incluyendo su número telefónico, o escriba a:

En EE.UU.: General Manager, Customer Relations | GE Appliances, Appliance Park | Louisville, KY 40225

GEAppliances.com/contact