

PTW9000SPSS

GE Profile™ Series 30" Warming Drawer

DIMENSIONS AND INSTALLATION INFORMATION (IN INCHES)

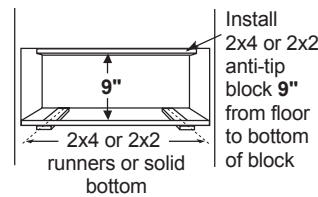
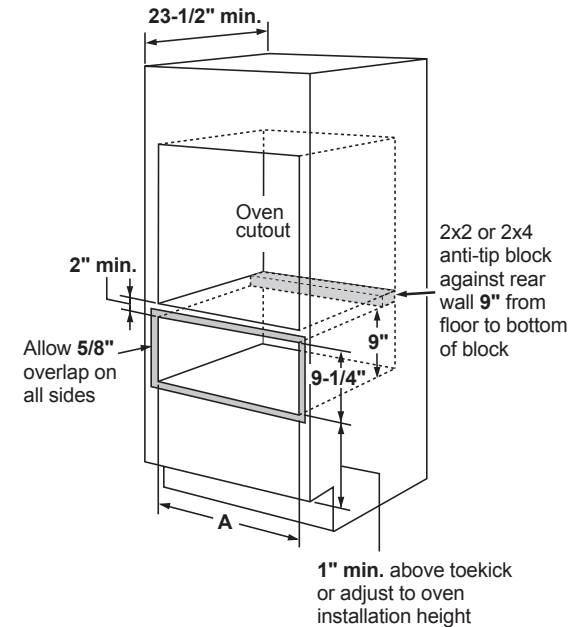
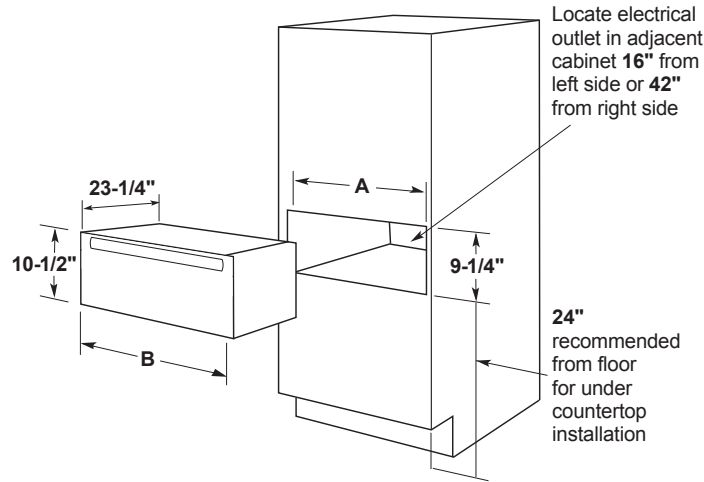
UNDERCOUNTER INSTALLATION: A solid barrier must be installed at least 1" from the lowest point of the bottom of cooktop burner box to the top of the cutout. Use any solid material such as 1/4"-thick plywood. Allow at least 1/4" air gap between the barrier and the top of the warming drawer. See label on top of the warming drawer for approved cooktop models.

UNDER OVEN INSTALLATION: Additional clearance between cutouts may be required. Check to be sure that oven supports above the warming drawer location do not obstruct the required interior 23-1/2" depth and 9-1/4" height.

Door handle protrudes 2-3/4" from door face. Cabinets and drawers on adjacent 45° and 90° walls should be placed to avoid interference with the handle.

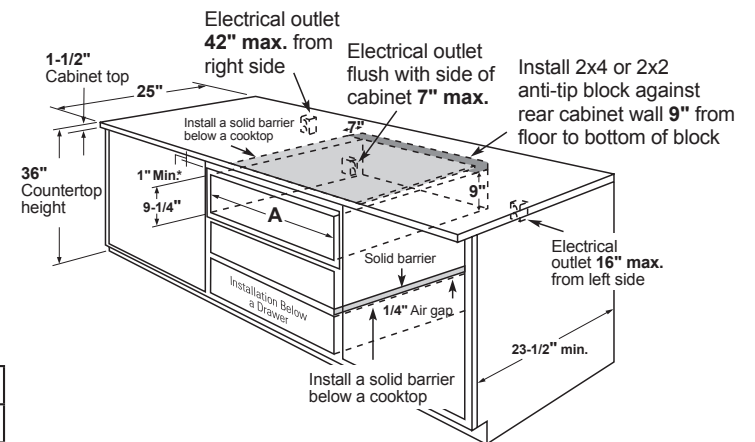
INSTALLATION INFORMATION: Before installing, consult installation instructions packed with product for current dimensional data.

KW RATING	
120V	.45
BREAKER SIZE	
120V	15 Amps



(Must Support 150 lbs.)

	A	B
27" DRAWER	25-1/2"	26-3/4"
30" DRAWER	28-1/2"	29-3/4"



For answers to your GE Profile™ or GE Appliances product questions, visit our website at geappliances.com or call GE Answer Center® Service, 800.626.2000.



Specification Created 7/20

PTW9000SPSS

GE Profile™ Series 30" Warming Drawer

FEATURES AND BENEFITS

Variable temperature control – Address any heating need with variable temperature control that provides a wide range of temperatures

Variable humidity control – Maintain any food's desired texture thanks to variable humidity control with customized warming capabilities

Frameless drawer front – Enjoy a modern, seamless look with a frameless drawer front

“On” indicator light – Always know when your drawer is on with an indicator light that illuminates when it's in operation

Half rack – Warm more items at once thanks to a half rack that maximizes drawer space

Model PTW9000SPSS – Stainless Steel

