

JKP55BM/CM/WM

GE® 27" Built-In Double Wall Oven

Dimensions and Installation Information (in inches)

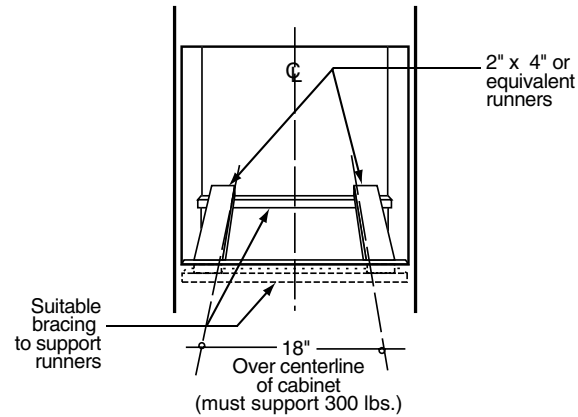
KW Rating	
240V	6.8
208V	5.1
Breaker Size	
240V	30 Amps
208V	30 Amps

Note: Cabinets installed adjacent to wall ovens must have an adhesion spec of at least a 194°F temperature rating.

Note: If marks, blemishes or the cutout opening is visible above the installed oven, it may be necessary to add wood shims under the runners and front trim until the marks or openings are covered.

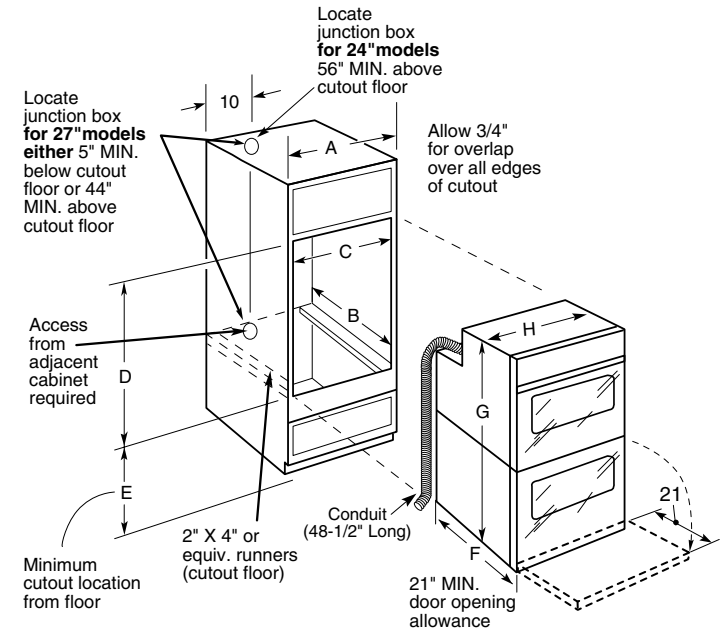
Note: Door handle protrudes 3" from door face. Cabinets and drawers on adjacent 45° and 90° walls should be placed to avoid interference with the handle.

Electric wall ovens are not approved for installation with a plug and receptacle. They must be hard wired in accordance with installation instructions.



Cabinet	27"
A - Cabinet width required	27" min.
B - Minimum cabinet depth	23-5/8"
C - Opening width	25" min. - 25-1/4" max
D - Opening height	50-1/8" max
E - Recommended minimum cutout location from floor	13-1/4"
Oven	
F - Overall depth*	23-5/8"
G - Overall height with trim	51-7/8" - 52-3/4"
Overall height without trim	51"
H - Overall width	26-5/8"

*Depth including door handle is approximately 26-7/10" min. to 26-8/10" max.



For answers to your Monogram®, GE Profile™ or GE® appliance questions, visit our website at ge.com or call GE Answer Center® service, 800.626.2000.



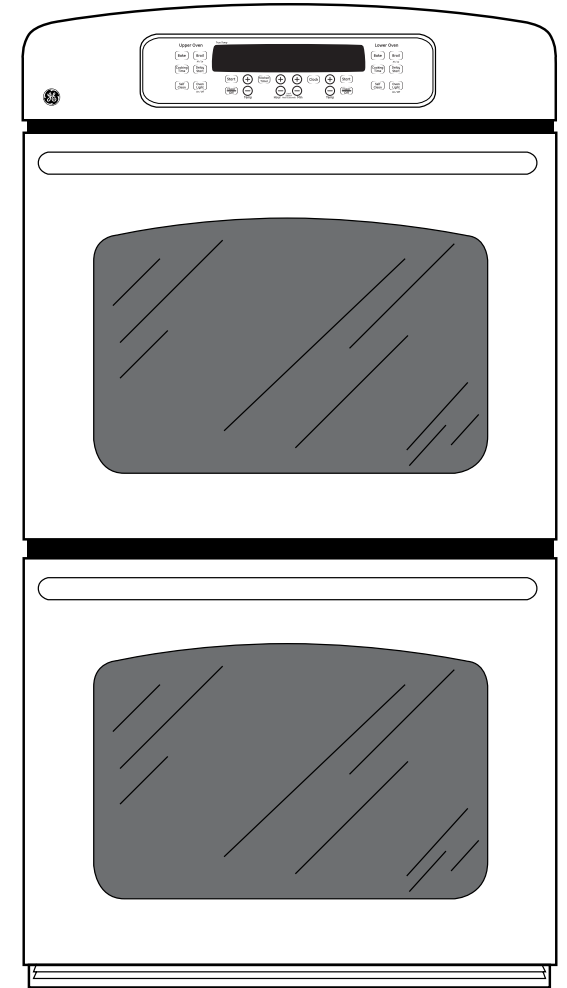
JKP55BM/CM/WM

GE® 27" Built-In Double Wall Oven

Features and Benefits

- Extra-Large Oven Capacity - Provides a large oven interior ideal for cooking more items at once
- Self Clean Oven - Conveniently cleans the oven cavity without need of scrubbing
- TrueTemp™ System - Delivers even heat distribution and maximum oven control
- Interior Oven Light - Supplies light to make viewing the progress of cooking easy and convenient
- Eight-Pass Bake Element - A powerful, continuous heating element loops throughout the oven, delivering evenly cooked foods
- Six-Pass Broil Element - Provides a more even coverage of the food on the broiler pan
- Heavy-Duty Oven Racks - Provides extra support
- Hidden Bake Oven Interior - Hides previously exposed bottom element to deliver a clean interior appearance
- Electronic Oven Controls - One-touch electronic pads are easy-to-use and allow for simple oven operation
- Two Oven Racks - Feature a durable construction to help accommodate any size or type of cookware
- Model JKP55BMBB - Black on black
- Model JKP55CMCC - Bisque on bisque
- Model JKP55WMWW - White on white

For answers to your Monogram,® GE Profile™ or GE® appliance questions, visit our website at ge.com or call GE Answer Center® service, 800.626.2000.



imagination at work



Listed by
Underwriters
Laboratories



Specification Created 1/07

320368