

JT912BF/CF/WF

GE Profile™ 30" Built-In Single Oven

Dimensions and Installation Information

KW Rating	
240V	3.6
208V	2.7
Breaker Size	
240V	20 Amps
208V	20 Amps

A	Allow 1" overlap of oven over top and bottom edges of cutout
B	Allow 11/16"-3/4" for overlap of oven over side edges of cutout

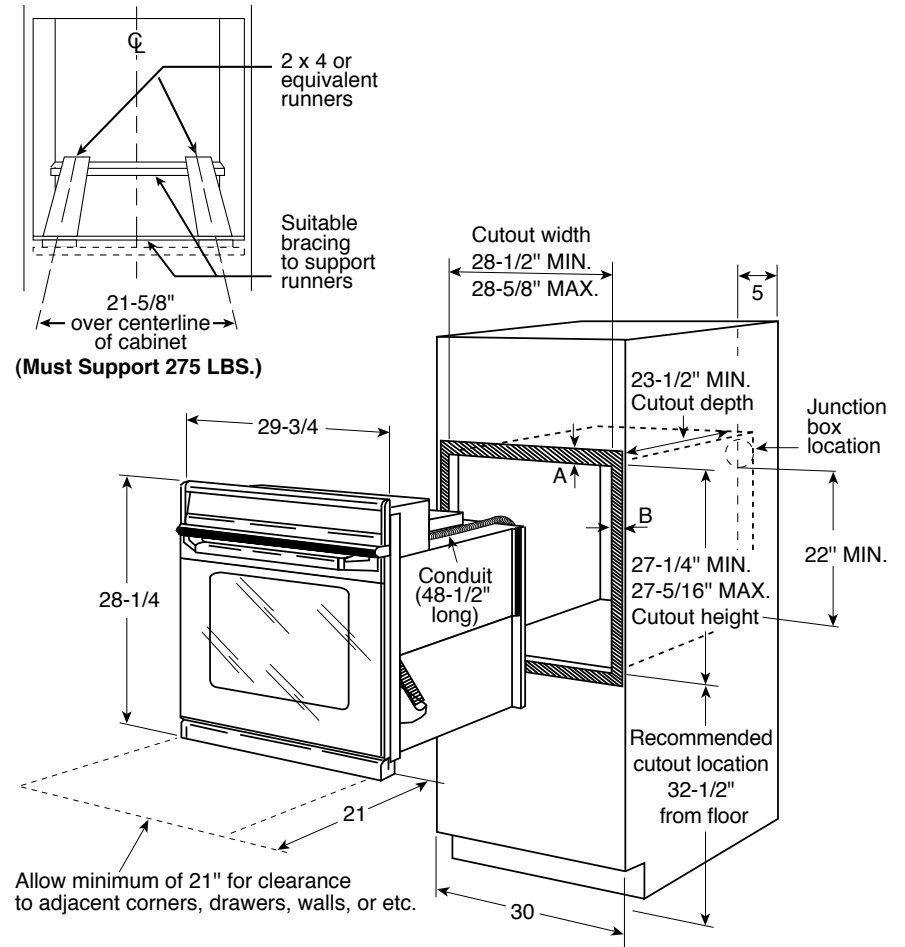
Most 30" Wall Cabinets can be used with this unit.

Note: These ovens are not approved for stackable or side-by-side installations. Cabinets installed adjacent to wall ovens must have an adhesion spec of at least a 194°F temperature rating.

Electric wall ovens are not approved for installation with a plug and receptacle. They must be hard wired in accordance with installation instructions.

Installation Information: Before installing, consult installation instructions packed with product for current dimensional data.

For answers to your Monogram®, GE Profile™ or GE® appliance questions, visit our website at ge.com or call GE Answer Center® service, 800.626.2000.



Dimension and installation information are shown in inches.



Specification Revised 2/06

220234

JT912BF/CF/WF

GE Profile™ 30" Built-In Single Oven

Optional Undercounter Dimensions and Installation Information

Note: 36" ribbon cooktops (excluding JP968) are approved for use over GE 30" single wall ovens only. 30" ribbon cooktops (excluding JP938) are approved for use over GE 30" and GE 27" single wall ovens. Model JP938 can be installed over 27" wall ovens except stainless model JK915 and JK912SF. Refer to cooktop and wall oven installation information packed with products for current dimensional data.

Note: CleanDesign or Sealed Burner Gas

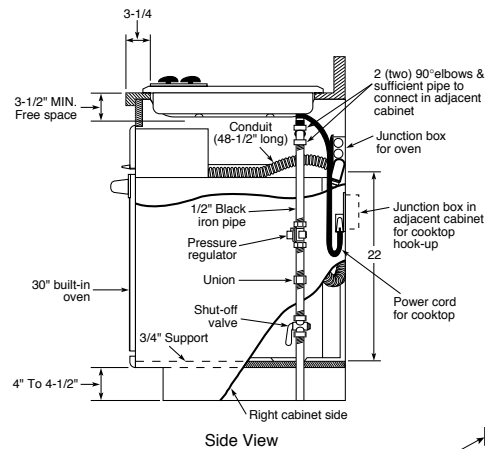
This installation is to achieve minimum gap between bottom of countertop and control panel. For this installation, the bottom trim will not be flush with a typical 4" toe kick

Note: Cabinets installed adjacent to wall ovens must have an adhesion spec of at least a 194°F temperature rating.

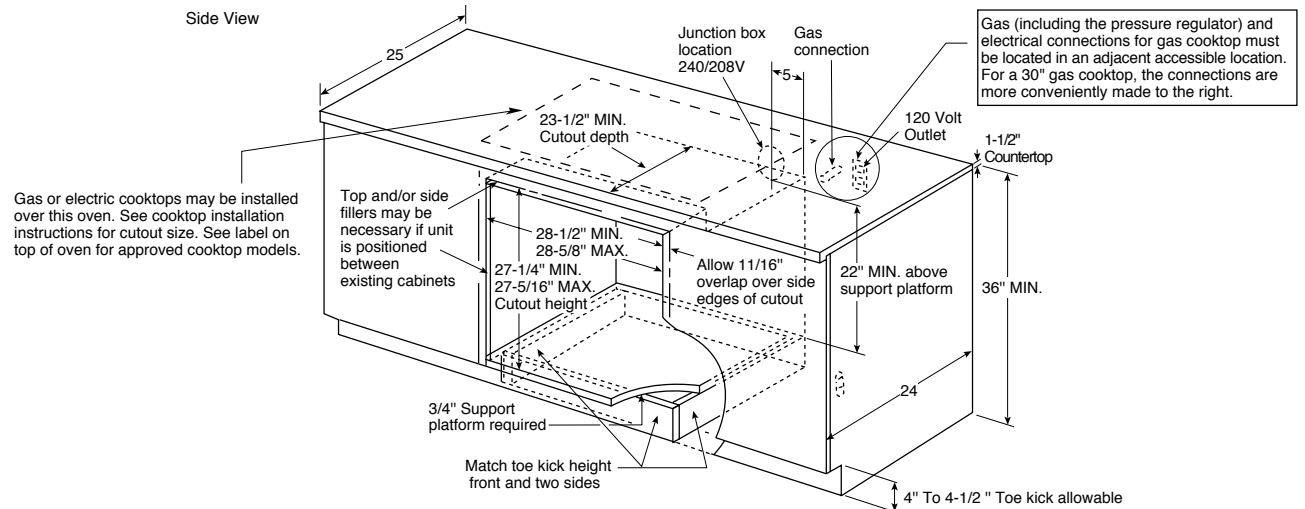
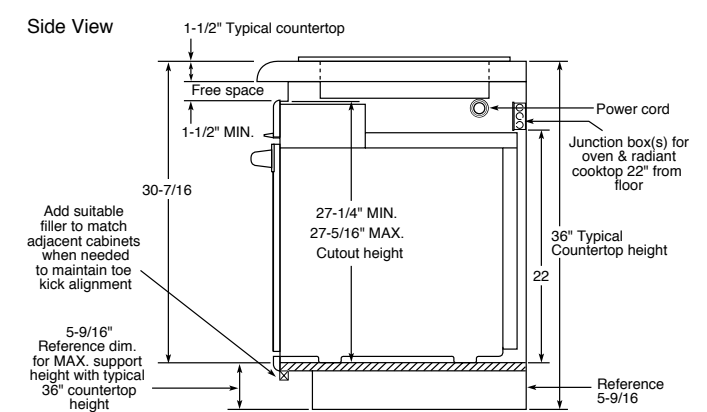
Installation Information: Before installing, consult installation instructions packed with product for current dimensional data.

For answers to your Monogram®, GE Profile™ or GE® appliance questions, visit our website at ge.com or call GE Answer Center® service, 800.626.2000.

With 36" Gas Cooktop



With 30" CleanDesign or Sealed Burner Gas Cooktop



Dimension and installation information are shown in inches.



imagination at work



Listed by
Underwriters
Laboratories



Specification Revised 2/06

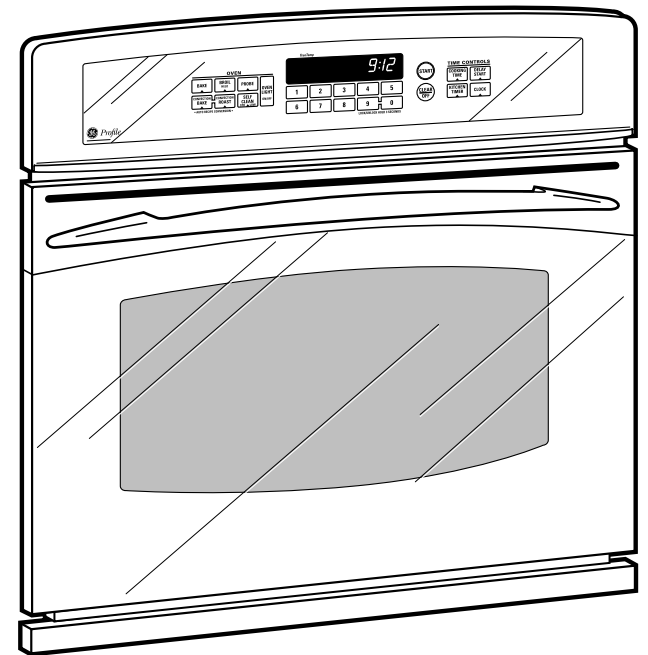
220234

JT912BF/CF/WF

GE Profile™ 30" Built-In Single Oven

Features and Benefits

- Precise Air™ convection system - Delivers even air and heat circulation for superior baking and roasting results
- Convection Bake - Provides ideal airflow throughout the oven cavity, ensuring better baking results
- Convection roast - Provides even cooking and consistent results, roasting meats up to 25% faster than a conventional oven
- Electronic oven controls - One-touch electronic pads are easy-to-use and allow for simple oven operation
- Self-clean oven - Conveniently cleans oven cavity without the need for scrubbing
- Super-large oven capacity - Provides the impressively large oven interior for cooking more dishes and large meals at one time
- TrueTemp™ system - Delivers even heat distribution and maximum oven controll
- Model JT912WFWW – White on white
- Model JT912CFCC – Bisque on bisque
- Model JT912BFBB – Black on black



imagination at work