

JT980WH/BH

GE Profile™ 30" Built-In Double Oven with Trivection™ Technology

Dimensions and Installation Information

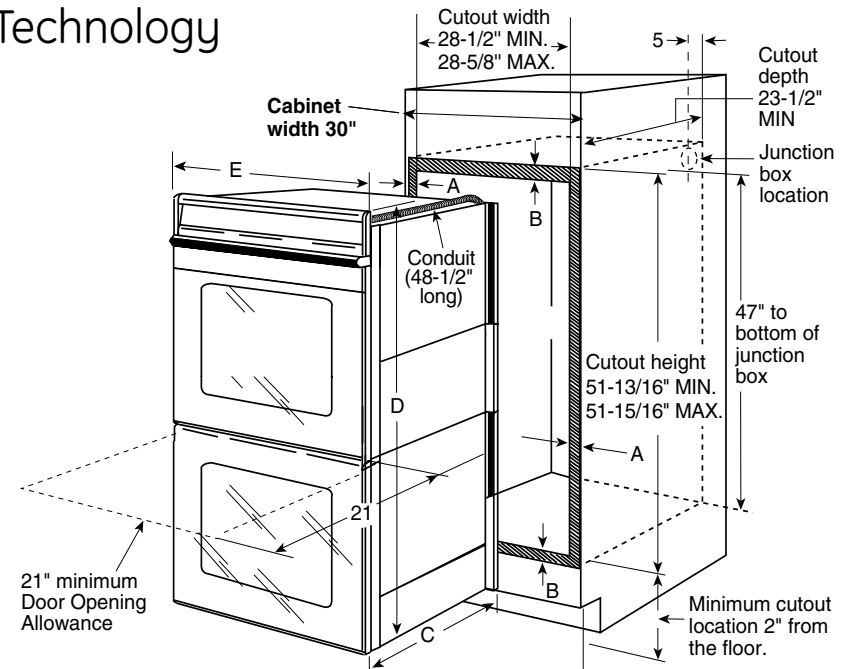
| KW Rating | |
|--------------|---------|
| 240V | 8.9 |
| 208V | 6.7 |
| Breaker Size | |
| 240V | 40 Amps |
| 208V | 40 Amps |

| Cabinet | 30" |
|---|-------------|
| A - Overlap of Oven Over Side Edges of Cutout | 11/16"-3/4" |
| B - Overlap of Oven at Bottom of Cutout | 1" |
| Oven | |
| C - Overall Depth | 23-1/2" |
| D - Overall Height | 52-7/8" |
| E - Overall Width | 29-3/4" |

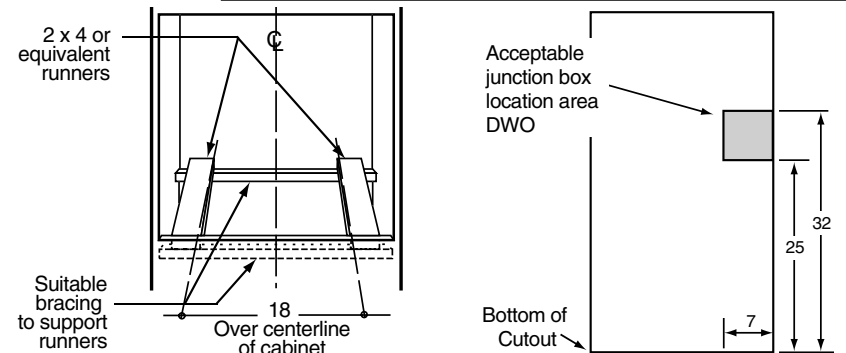
Note: Cabinets installed adjacent to wall ovens must have an adhesion spec of at least a 194°F temperature rating. **Electric wall ovens are not approved for installation with a plug and receptacle. They must be hard wired in accordance with installation instructions. Suitable oven cabinet bracing must support 275 lbs.**

Installation Information: Before installing, consult installation instructions packed with product for current dimensional data.

For answers to your Monogram®, GE Profile™ or GE® appliance questions, visit our website at ge.com or call GE Answer Center® service, 800.626.2000.



MOST 30" WALL CABINETS CAN BE USED WITH THIS UNIT.
THE OPENING BETWEEN THE INSIDE WALLS MUST BE AT LEAST 28-1/2" WIDE.



Dimension and installation information are shown in inches.



imagination at work



Specification Revised 12/05

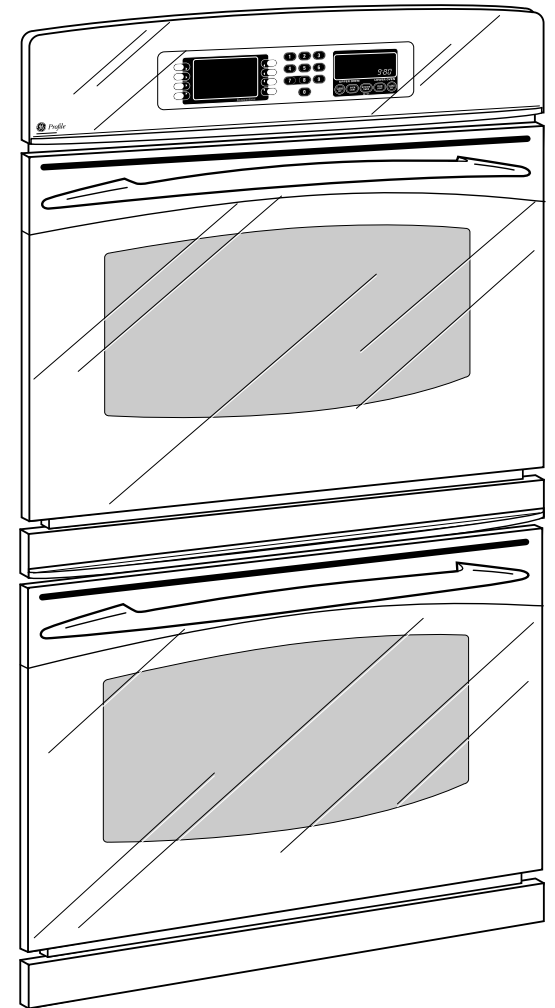
220602

JT980WH/BH

GE Profile™ 30" Built-In Double Oven with Trivection™ Technology

Features and Benefits

- Trivection™ Technology - Combines thermal, convection and microwave energies to produce quality food remarkably fast
- Speed baking / Speed broiling - Uses Trivection™ technology to cook food up to five times faster than a traditional oven
- Convection bake (multi-rack) - Provides ideal convection baking for multiple racks of food, ensuring superb results
- Convection roast - Provides even cooking and consistent results, roasting meats up to 25% faster than a conventional oven
- Glass touch oven controls - Feature a smooth glass design that is both easy-to-operate and easy-to-clean
- Self-clean oven - Conveniently cleans oven cavity without the need for scrubbing
- Extra-large oven capacity - Provides a large oven interior ideal for cooking more items at once
- TrueTemp™ system - Delivers even heat distribution and maximum oven control
- Model JT980WHWW - White on white
- Model JT980BHBB - Black on black



imagination at work

Specification Revised 12/05

220602