

# JT980SK

## GE Profile™ 30" Built-In Double Oven with Trivection™ Technology

### Dimensions and Installation Information

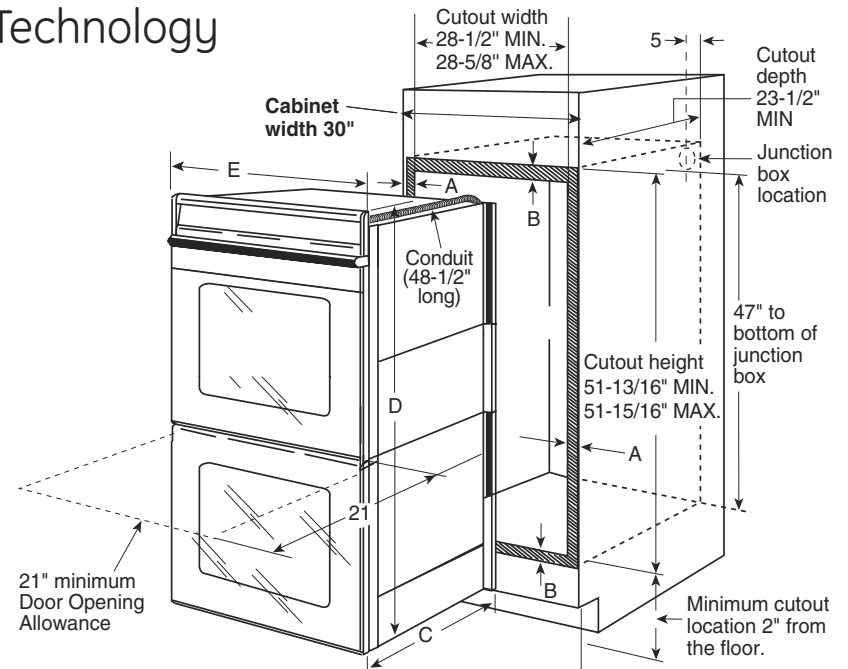
KW Rating	
240V	8.9
208V	6.7
Breaker Size	
240V	40 Amps
208V	40 Amps

Cabinet	30"
A - Overlap of Oven Over Side Edges of Cutout	11/16"-3/4"
B - Overlap of Oven at Bottom of Cutout	1"
Oven	
C - Overall Depth	23-1/2"
D - Overall Height	52-7/8"
E - Overall Width	29-3/4"

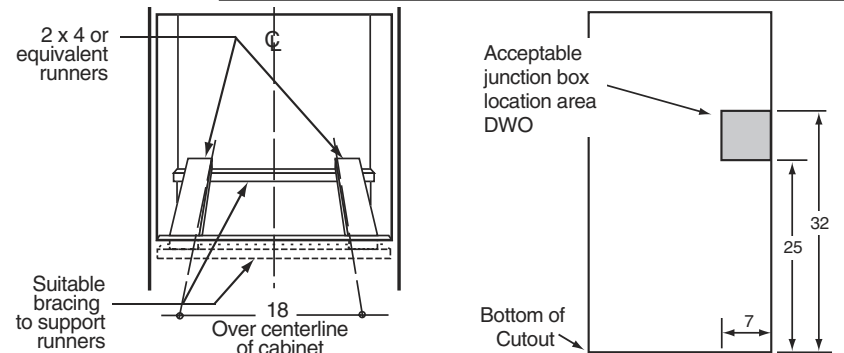
**Note:** Cabinets installed adjacent to wall ovens must have an adhesion spec of at least a 194°F temperature rating. **Electric wall ovens are not approved for installation with a plug and receptacle. They must be hard wired in accordance with installation instructions. Suitable oven cabinet bracing must support 275 lbs.**

**Installation Information:** Before installing, consult installation instructions packed with product for current dimensional data.

For answers to your Monogram®, GE Profile™ or GE® appliance questions, visit our website at [ge.com](http://ge.com) or call GE Answer Center® service, 800.626.2000.



MOST 30" WALL CABINETS CAN BE USED WITH THIS UNIT. THE OPENING BETWEEN THE INSIDE WALLS MUST BE AT LEAST 28-1/2" WIDE.



Dimension and installation information are shown in inches.



imagination at work



Specification Created 1/05

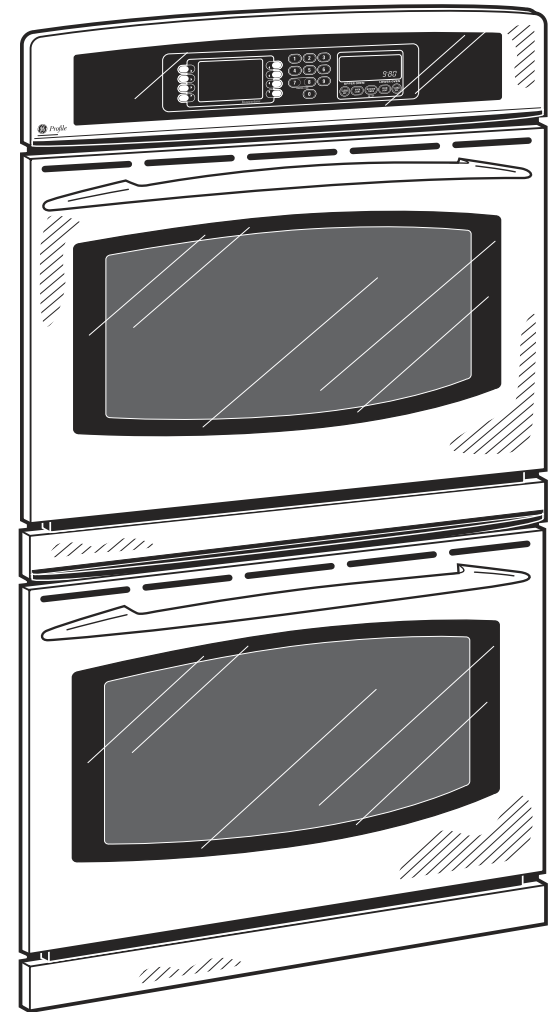
220603

# JT980SK

## GE Profile™ 30" Built-In Double Oven with Trivection™ Technology

### Features and Benefits

- Trivection™ Technology - Combines thermal, convection and microwave energies to produce quality food remarkably fast
- Speed baking / Speed broiling - Uses Trivection™ technology to cook food up to five times faster than a traditional oven
- Convection bake (multi-rack) - Provides ideal convection baking for multiple racks of food, ensuring superb results
- Convection roast - Provides even cooking and consistent results, roasting meats up to 25% faster than a conventional oven
- Glass touch oven controls - Feature a smooth glass design that is both easy-to-operate and easy-to-clean
- Self-clean oven - Conveniently cleans oven cavity without the need for scrubbing
- Extra-large oven capacity - Provides a large oven interior ideal for cooking more items at once
- TrueTemp™ system - Delivers even heat distribution and maximum oven control
- Model JT980SKSS – Stainless steel



imagination at work

Specification Created 1/05

220603