

PKD915SM

GE Profile™ 27" Warming Drawer

Dimensions and Installation Information (in inches)

KW Rating	
120V	.45
Breaker Size	
120V	15 Amps

Optional Accessories:
JXPN2 – Optional Pan Set
 Accessory for Warming
 Drawer. Two commercial
 pans with lids (4" deep)
ZXD30B – 1/4" panel kit
 capability

Undercounter Installation: A solid barrier must be installed at least 1" from the lowest point of the bottom of cooktop burner box to the top of the cutout. Use any solid material such as 1/4"-thick plywood. Allow at least 1/4" air gap between the barrier and the top of the warming drawer. See label on top of the warming drawer for approved cooktop models.

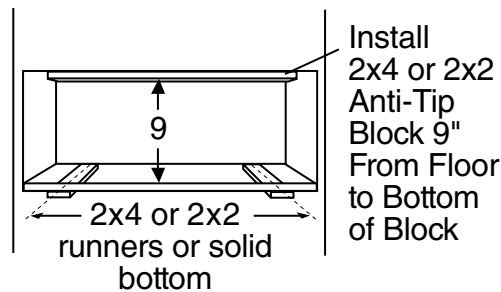
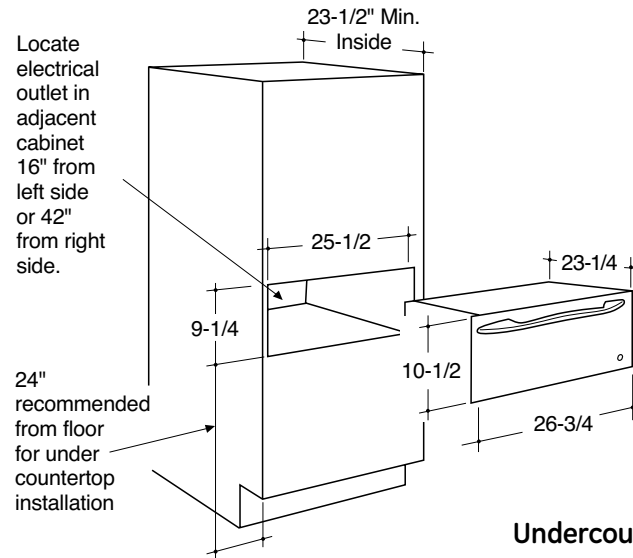
Under Oven Installation: Additional clearance between cutouts may be required. Check to be sure that oven supports above the warming drawer location do not obstruct the required interior 23-1/2" depth and 9-1/4" height.

Door handle protrudes 2-3/4" from door face. Cabinets and drawers on adjacent 45° and 90° walls should be placed to avoid interference with the handle.

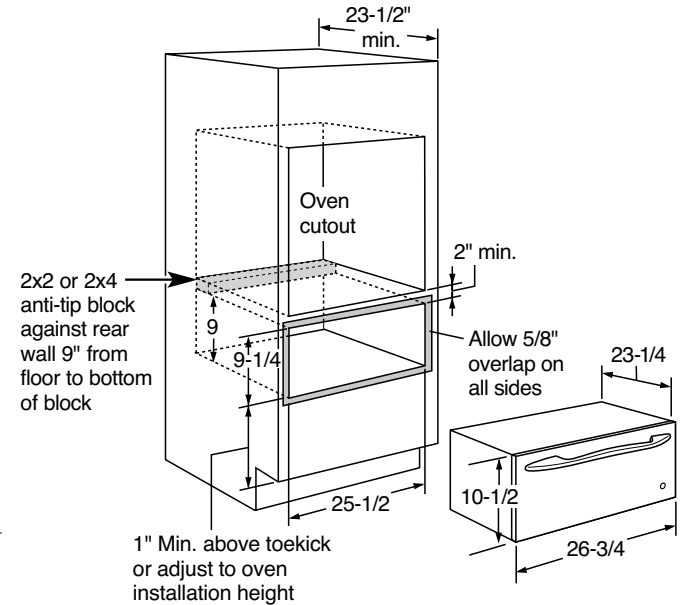
Installation Information: Before installing, consult installation instructions packed with product for current dimensional data.

For answers to your Monogram®, GE Profile™ or GE® appliance questions, visit our website at ge.com or call GE Answer Center® service, 800.626.2000.

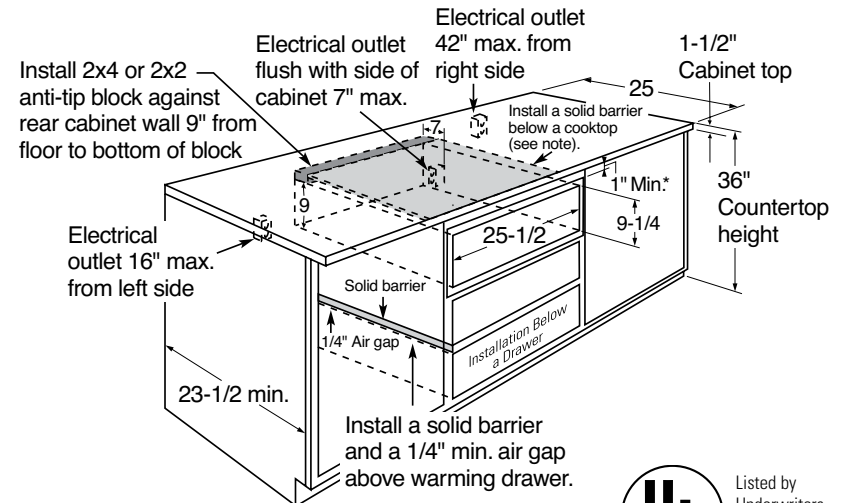
Warming Drawer Dimensions



Under Oven Installation



Undercounter Installation

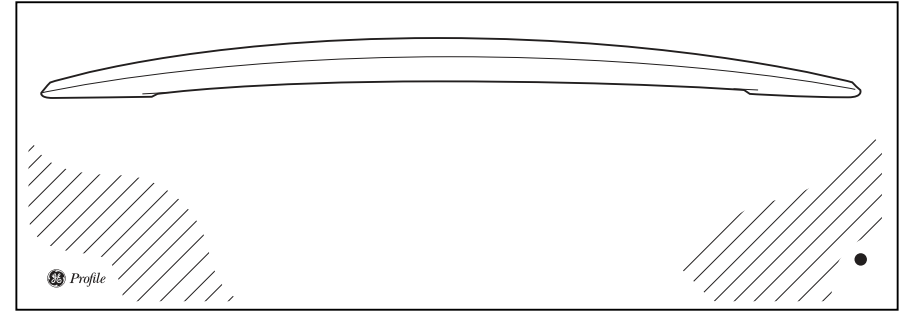


PKD915SM

GE Profile™ 27" Warming Drawer

Features and Benefits

- Variable Degree Control - Provides temperature settings from 80 degrees to 210 degrees to deliver flexible warming performance for a variety of needs
- Variable Humidity Control - Gives cooks the ability to customize warming, from crisp to moist, based on their desired result
- Frameless Drawer Front - Achieves a smooth appearance for an attractive, modern presentation that is easy to wipe clean
- "On" Indicator Light - Illuminates when the warming drawer is operating for cooking convenience and kitchen safety
- Half Rack - Delivers a versatile option to help maximize drawer space for warming multiple foods at once
- Model PKD915SMSS – Stainless steel



imagination at work