

ZET1PM

GE Monogram® 30" Built-In Single Oven

Dimensions and Installation Information (in inches)

KW Rating	
240V	4.3
208V	3.9
Breaker Size	
240V	20 Amps
208V	20 Amps

Overlap Dimensions

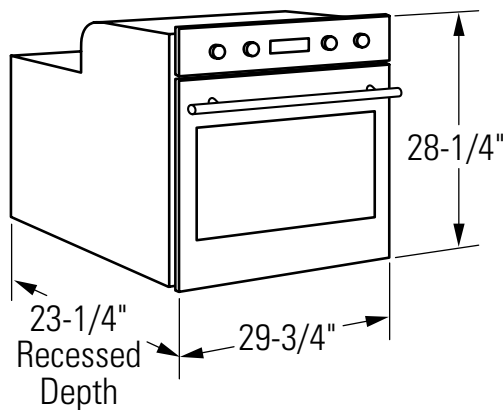
Left	Right	Top	Bottom
9/16	9/16	5/16	9/16

Installation Flexibility

These ovens may be installed below a countertop and beneath approved cooktops. They may also be installed in combination with an Advantium oven and a warming drawer. They may also be installed side by side. This oven is not approved for stackable, one over another installations.

Note: Cabinets installed adjacent to wall ovens must have an adhesion spec of at least a 194°F temperature rating.

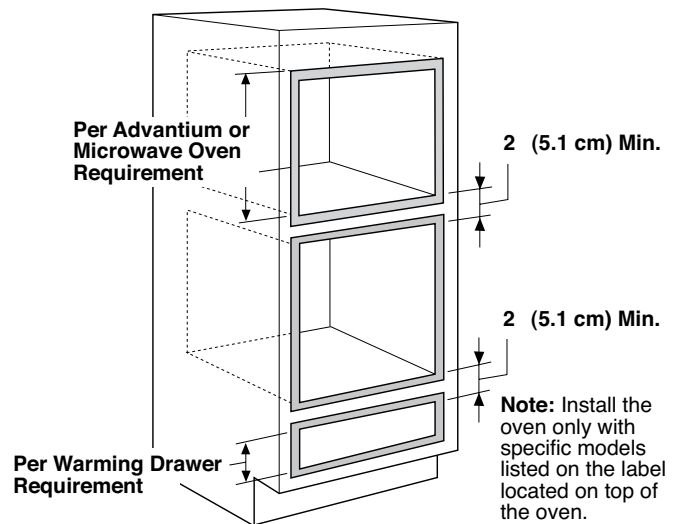
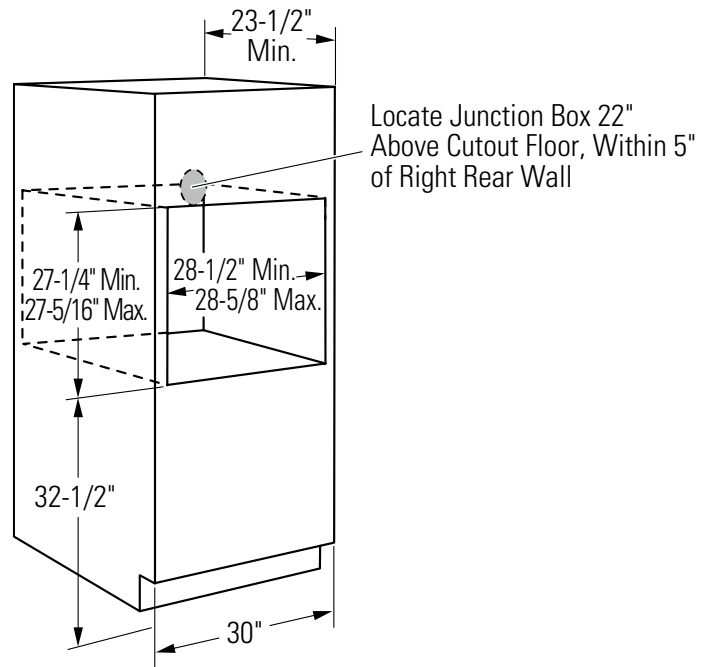
Installation Information: Before installing, consult installation instructions packed with product for current dimensional data.



Side by Side Installations

Install two wall ovens in separate cutouts. Allow 2" (5.1 cm) min. between cutouts.

For answers to your Monogram®, GE Profile™ or GE® appliance questions, visit our website at geappliances.com or call GE Answer Center® service, 800.626.2000.



The solid bottom or runners must be level with the bottom of the cutout, or the bottom trim may not install correctly and could interfere with the door opening. If the cabinet does not have a solid bottom, two braces or runners must be installed level with the bottom of the cutout to support the weight of the oven. The runners and braces must support 200 lbs. (90 kg).



ZET1PM

GE Monogram® 30" Built-In Single Oven

Features and Benefits

- Electronic Dial Controls - Have a robust, die-cast metal design; yet rotate with smooth digital precision
- Halogen Light Columns - On the oven walls provide brilliant task lighting for each rack position
- Exclusive Self-Cleaning, Full-Extension Oven Racks - Glide in and out smoothly on stainless steel ball bearings, and are designed to be left in the oven during the self-clean cycle
- 4.4 Cu. Ft. Capacity - Easily accommodates even the largest meals
- True Hidden Bake Element - Concealed beneath the oven floor, allowing additional capacity and improved cleanability
- Reverse-Air Convection System - Uses an innovative fan that reverses direction for optimal air and heat circulation, providing even cooking and multi-rack baking capability
- Six-Element Design - Two bake, two broil and two convection elements provide precise cooking control, with fast preheating
- 208V Performance Compensation - Utilizes the six-element design to boost power in reduced-voltage installations
- Professional-Style Handles - Solid and substantial, reinforcing the overall look of sculptural sophistication
- Chamfered, Hand-Finished Edges - Give the premium-grade stainless steel door an added sense of depth and dimension
- Two Broil Elements with Reflector Shield - Offer intense, dual-zone broiling
- Large Viewing Window - Allows you to view your culinary work in progress
- Standard GE Dimensions - Match the industry's preferred cutout sizes for remarkably simple installation
- Model ZET1PMSS - Stainless steel

