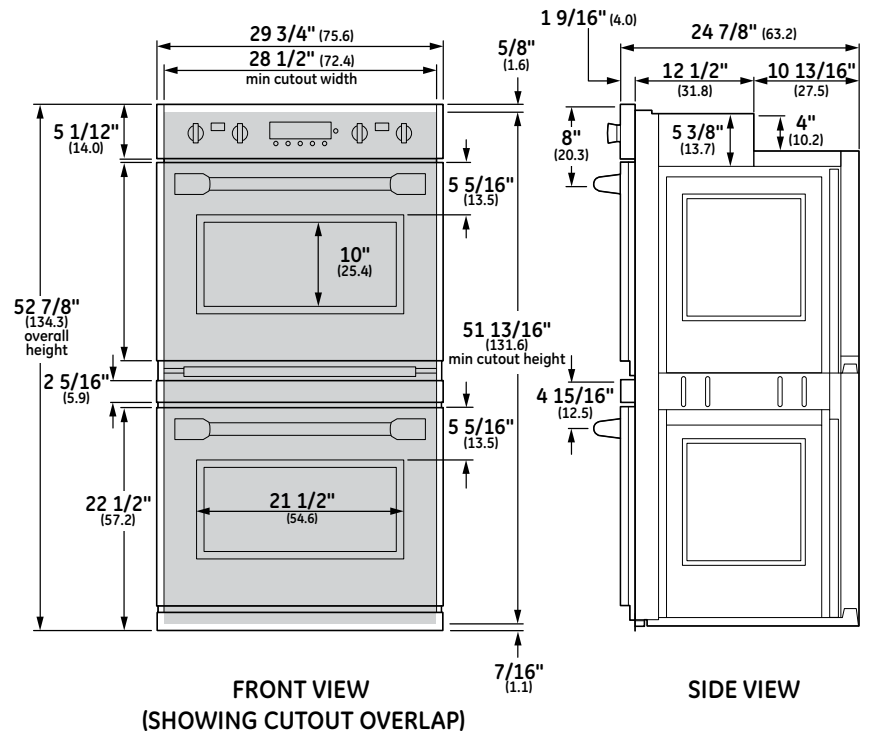




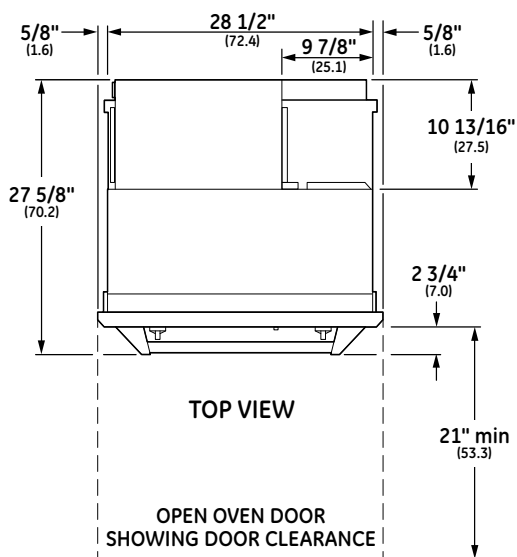
OVERALL DIMENSIONS



SPECIFICATIONS

Overall Width	29 3/4" (75.6)
Overall Height	52 7/8" (134.3)
Overall Depth Including Handle	27 5/8" (70.2)
Oven Door Clearance	21" (53.3) Min
Overall Oven Interior Capacity	4.4 cu. ft. (124.6 l) each oven
Oven Interior Dimensions (W x H x D) each oven	24" x 17 1/2" x 18 1/4" (61.0 cm x 44.5 cm x 46.4 cm)
Minimum Cabinet Width*	30" (76.2)
Minimum Cabinet Depth*	24" (61.0)
Minimum Base Support	375 lbs (170 kg)
Cutout Width*	28 1/2" (72.4) Min 28 5/8" (72.7) Max
Cutout Height*	51 13/16" (131.6) Min 51 15/16" (131.9) Max
Cutout Depth*	23 1/2" (59.7) Min
Volts/Hertz/Amps	240/208 V AC, 60 Hz, 40A
Conduit Length	48", 72" available special order: WB18T10398
Electrical Rating	7.8 kW at 208V 8.6 kW at 240V
Shipping Weight	370 lbs (168 kg)

\* Additional space will be needed for flush installation.



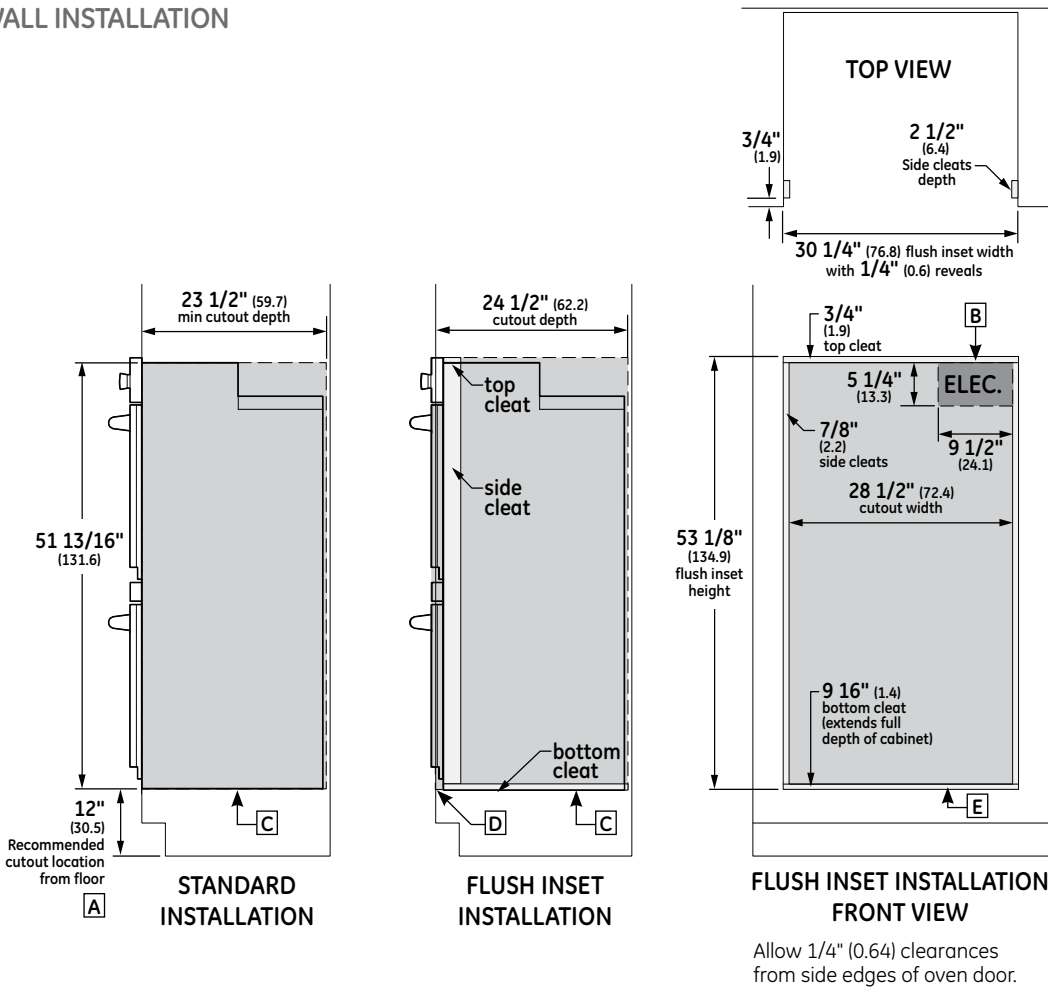
Dimensions in parentheses are in centimeters unless otherwise noted. Actual product dimensions may vary due to manufacturing tolerances.

ATTENTION ELECTRICIAN:

A 240/208V, 60Hz, 40 Amp circuit is required. An individual properly grounded branch circuit or circuit breaker is required. Hardware junction box is required for built-in product.



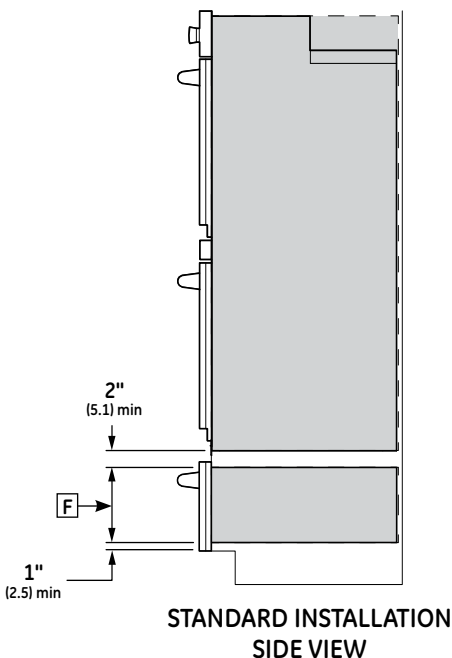
WALL INSTALLATION



NOTES

- A** Based on a user height of 5' 6" to 5' 10"
- B** Junction box location (May also be located in adjacent cabinet.)
- C** Platform must be able to support 375 lbs (169 kg)
- D** Cabinet surface must be an appearance finished surface for flush installation.
- E** Cleats may be visible and should be finished to match cabinetry.
- F** Dimension per Warming Drawer requirement.

INSTALLATION OVER WARMING DRAWER



For more details, refer to the installation instructions for this product on Monogram.com. Dimensions in parentheses are in centimeters unless otherwise noted.

## FEATURES AND BENEFITS

**Electronic Controls** - As elegant as they are ergonomic

**Halogen Light Columns** - On the oven walls, provide brilliant task lighting for each rack position

**Exclusive Self Cleaning, Full-Extension Oven Racks** - Glide in and out smoothly on stainless steel ball bearings, and are designed to be left in the oven during the self-clean cycle

**4.4 Cu. Ft. Capacity** - Easily accommodates even the largest meals

**True Hidden Bake Element** - Concealed beneath the oven floor, allowing additional capacity and improved cleanability

**Reverse-Air Convection System** - Uses an innovative fan that reverses direction for optimal air and heat circulation, providing even cooking and multi-rack baking capability

**Six-Element Design** - Two bake, two broil and two convection elements provide precise cooking control, with fast preheating

**208V Performance Compensation** - Utilizes the six-element design to boost power in reduced voltage installations

**Signature Tubular Handles** - Are smooth, sleek and easy to grasp

**Hand-Finished Edges** - Reflect the meticulous quality and craftsmanship for which Monogram products are renowned

**Two Broil Elements with Reflector Shield** - Offer intense, dual-zone broiling



70 to 90% U.S. content. Product content details at [GEAppliances.com/USA](http://GEAppliances.com/USA)

