

# Installation Instructions

## 30" (76.2 cm) Built-In Wall Oven

ZET1, ZET2

If you have questions, call 1.800.GE.CARES or visit our website at: [ge.com](http://ge.com)

### Before You Begin

Read these instructions carefully and completely.

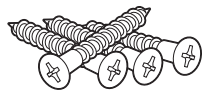
- **IMPORTANT**—Save these instructions for local inspector's use.
- **IMPORTANT**—Observe all governing codes and ordinances.
- **Note to Installer**—Be sure to leave these instructions with the consumer.
- **Note to Consumer**—Keep these instructions for future reference.

- Proper installation is the responsibility of the installer and product failure due to improper installation is NOT covered under warranty.
- **NOTE**—This appliance must be properly grounded.

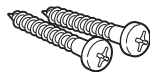
### ATTENTION INSTALLER

All electric wall ovens must be hard wired (direct wired) into an approved junction box. A plug and receptacle is NOT permitted on these products.

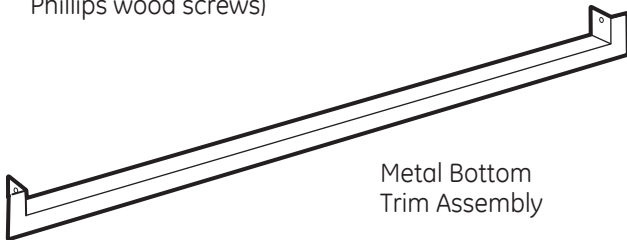
### Parts Included (Appearance may vary.)



3/4" Wood Screws  
(8-18 x .750 flat-head  
Phillips wood screws)

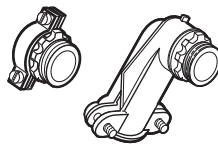


5/8" Wood Screws  
(8A8 x .625 truss-head  
Phillips wood screws)

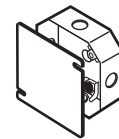


Metal Bottom  
Trim Assembly

### Materials Needed



Strain Relief Clamp for  
1/2" conduit



Junction  
Box

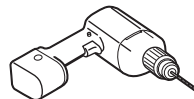


Wire Nuts



36" (91 cm) of  
String

### Tools Needed



1/8" Drill Bit and Electric  
or Hand Drill



Phillips  
Screwdriver



Adjustable Wrench

# Installation Instructions

## IMPORTANT SAFETY INSTRUCTIONS

### For Your Safety

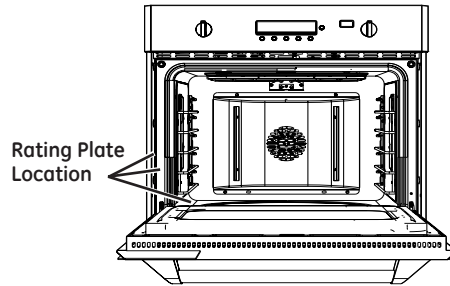
- Be sure your oven is installed properly by a qualified installer or service technician.
- Make sure the cabinets and wall coverings around the oven can withstand the temperatures (up to 200°F [93.3°C]) generated by the oven.
- Be sure the oven is securely installed in a cabinet that is firmly attached to the house structure. Weight on the oven door could cause the oven to tip and result in injury. Never allow anyone to climb, sit, stand or hang on the oven door.



**WARNING:** The electrical power to the oven supply line must be shut off while line connections are being made. Failure to do so could result in serious injury or death.

### Electrical Requirements (cont.)

Rating plate is located on the oven side trim, side front frame or lower front frame.



We recommend you have the electrical wiring and hookup of your oven connected by a qualified electrician. After installation, have the electrician show you where your main oven disconnect is located.

Check with your local utilities for electrical codes which apply in your area. Failure to wire your oven according to governing codes could result in a hazardous condition. If there are no local codes, your oven must be wired and fused to meet the requirements of the National Electrical Code, ANSI/NFPA No. 70–Latest Edition. You can get a copy by writing:

National Fire Protection Association  
 Batterymarch Park  
 Quincy, MA 02269

Effective January 1, 1996, the National Electrical Code requires that new, but not existing, construction utilize a four-conductor connection to an electric oven. When installing an electric oven in new construction, a mobile home, recreational vehicle or an area where local codes prohibit grounding through the neutral conductor, follow the instructions in the section on NEW CONSTRUCTION AND FOUR-CONDUCTOR BRANCH CIRCUIT CONNECTION.

You must use a three-wire, single-phase A.C. 208Y/120 Volt or 240/120 Volt, 60 hertz electrical system. If you connect to aluminum wiring, properly installed connectors approved for use with aluminum wiring must be used.

### Electrical Requirements

This appliance must be supplied with the proper voltage and frequency and connected to an individual, properly grounded branch circuit, protected by a circuit breaker or fuse. See the rating plate located on the oven frame to determine the rating of the product. Use the chart below to determine the minimum recommended dedicated circuit protection.

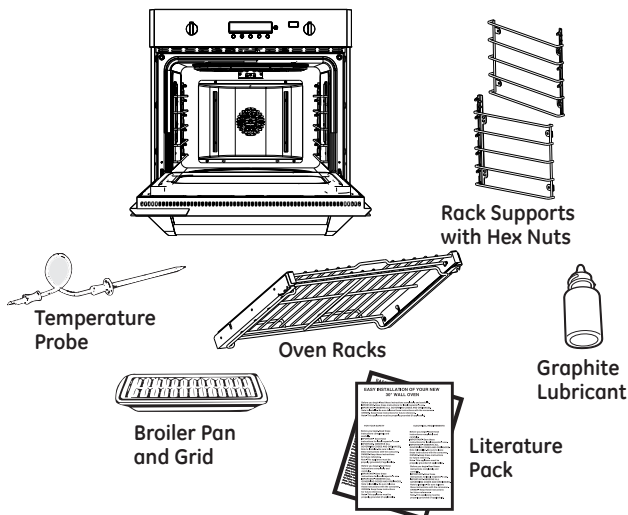
KW Rating 240V	KW Rating 208V	Recommended Circuit Size (Dedicated)
≤4.8 KW	≤4.1 KW	20 Amp
4.9 KW–7.2 KW	4.3 KW–6.2 KW	30 Amp
7.3 KW–9.6 KW	6.3 KW–8.3 KW	40 Amp
9.7 KW–12.0 KW	8.4 KW–10.4 KW	50 Amp

# Installation Instructions

## ✓ Pre-Installation Checklist

ALL INSTALLATION INFORMATION ON THE FOLLOWING PAGES IS TO BE USED FOR **SINGLE** AND **DOUBLE** OVEN INSTALLATION!

- ✓ Remove packaging materials. Check behind hinges and under false bottom. Remove labels on the outside of the door, plastic on trims and panel, all tape around the oven, and any shipping screws securing the oven to the base pad.



- ✓ Open oven door and remove literature pack, broiler pan and grid, oven racks, rack supports and a bag with 9 hex nuts.

- ✓ Read Installation Instructions carefully before you begin.

Be sure to place all literature, Owner's Manual, Installations, etc., in a safe place for future reference.

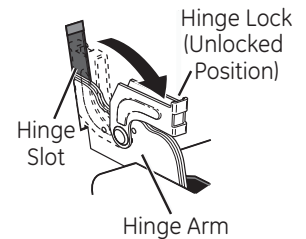


## To Remove the Door (if necessary)

Door removal is not a requirement for installation of the product, but is an added convenience. To remove the door:

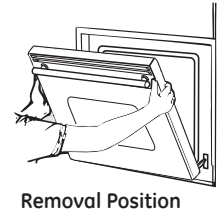
- ✓ Open the oven door as far as it will go.

- ✓ Push both hinge locks down toward the door frame, to the unlocked position. This may require a flat-blade screwdriver.

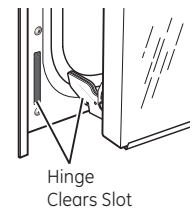


**DO NOT LIFT THE DOOR BY THE HANDLE!**

- ✓ Place hands on both sides of the door, and close the oven door to the removal position, which is most of the way closed.



- ✓ Lift door up and out until the hinge arms clear the slots.



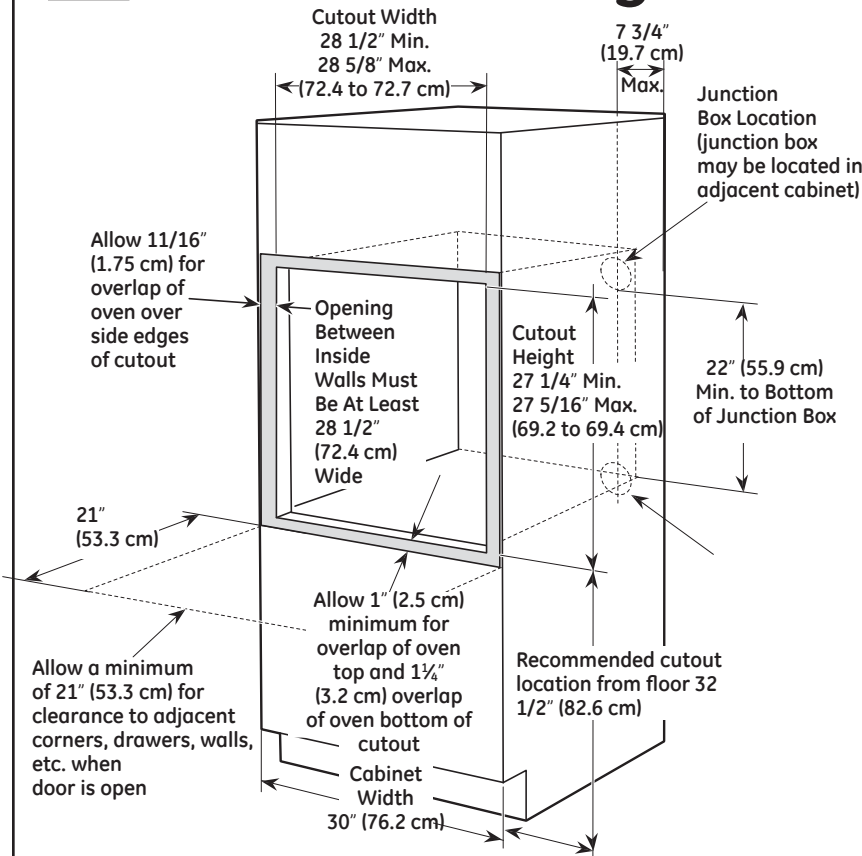
**NOTE: The oven door is very heavy. Be sure you have a firm grip before lifting the oven door off the hinges. Use caution once the door is removed. Do not lay the door on its handle. This could cause dents or scratches.**

- ✓ Place the oven on a table or platform even with the cutout opening. (Platform must support 175 lbs. [79 kg] single, 350 lbs. [159 kg] double.)

- ✓ Remove the bottom trim from the top of the oven. It will be installed at the end of the installation process. The trim is wrapped separately and taped to the top of the unit.

# Installation Instructions

## A1 Cutout for Single Built-In Oven

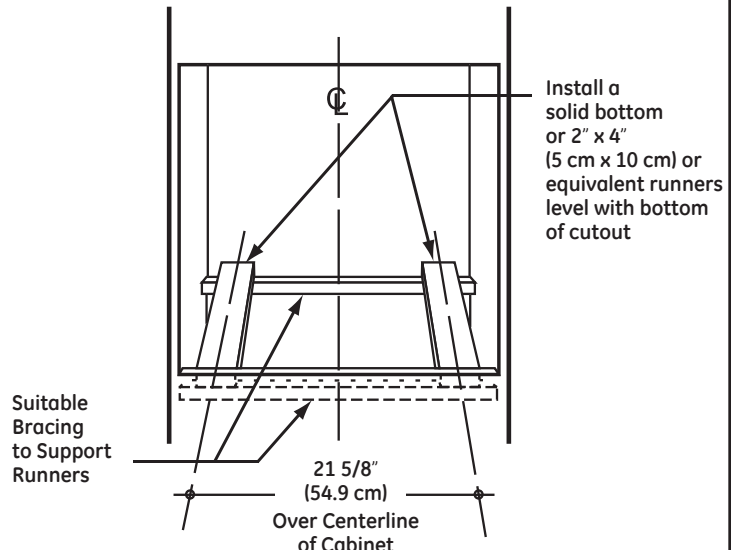


Cabinet Width	30" (76.2 cm)
Recommended Cutout Location from Floor	32 1/2" (82.6 cm)
Cutout Depth	23 1/2" (59.7 cm) Min.
Cutout Width	28 1/2" (72.4 cm) Min. 28 5/8" (72.7 cm) Max.
Cutout Height	27 1/4" (69.2 cm) Min. 27 5/16" (69.4 cm) Max.

**NOTE:** If the cabinet does not have a front frame and the sides are less than 3/4" (1.9 cm) thick, shim both sides equally to establish the cutout width.

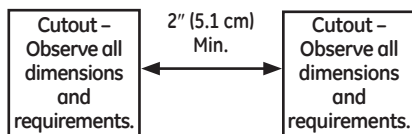
If the cabinet does not have a solid bottom, two braces or runners must be installed level with the bottom of the cutout to support the weight of the oven. For single ovens, the runners and braces must support 200 lbs. (90 kg).

**NOTE:** If marks, blemishes or the cutout opening are visible above the installed oven, it may be necessary to add wood shims under the runners and front trim until the marks or opening are covered.



### Side by Side Installations

Install two wall ovens in separate cutouts. Allow 2" (5.1 cm) min. between cutouts.

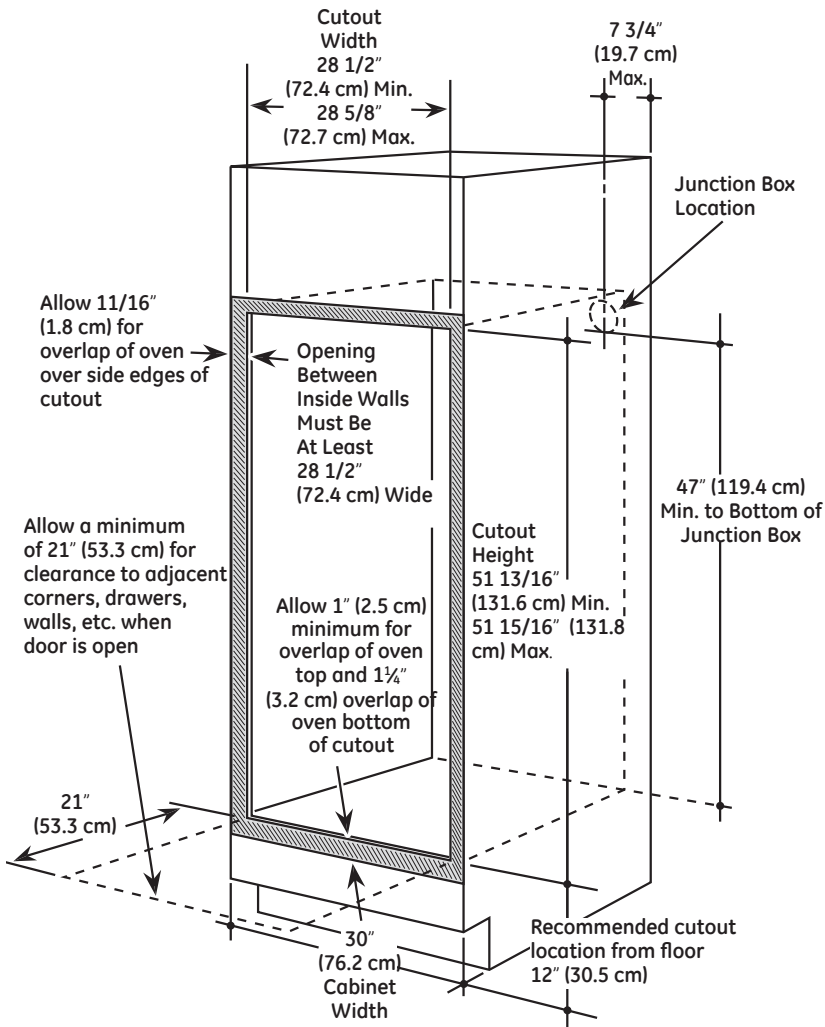


The solid bottom or runners must be level with the bottom of the cutout, or the bottom trim may not install correctly and then interfere with the door opening.

This oven is not approved for stackable installation.

# Installation Instructions

## A2 Cutout for Double Built-In Oven



Cabinet Width 30" (76.2 cm)

Recommended  
Cutout  
Location  
from Floor 12" (30.5 cm)

Cutout Depth 23 1/2" (59.7 cm) Min.

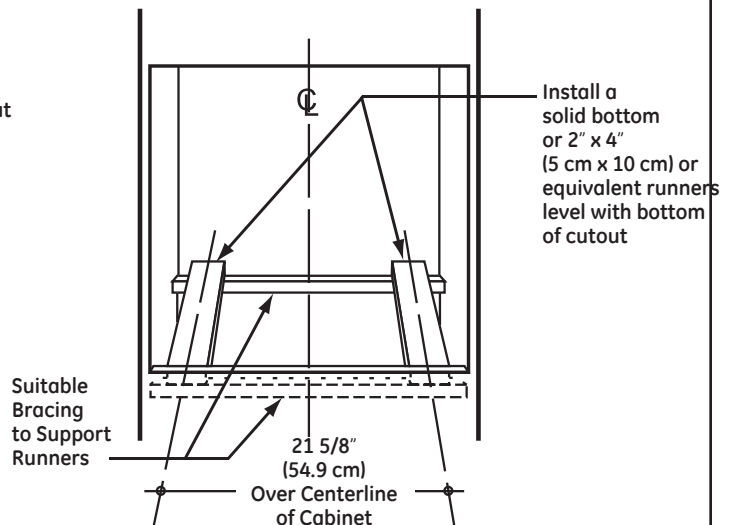
Cutout Width 28 1/2" (72.4 cm) Min.  
28 5/8" (72.7 cm) Max.

Cutout Height 51 13/16" (131.6 cm) Min.  
51 15/16" (131.8 cm) Max.

**NOTE:** If the cabinet does not have a front frame and the sides are less than 3/4" (1.9 cm) thick, shim both sides equally to establish the cutout width.

If the cabinet does not have a solid bottom, two braces or runners must be installed level with the bottom of the cutout to support the weight of the oven. For double ovens, the runners and braces must support 375 lbs. (169 kg).

**NOTE:** If marks, blemishes or the cutout opening are visible above the installed oven, it may be necessary to add wood shims under the runners and front trim until the marks or opening are covered.



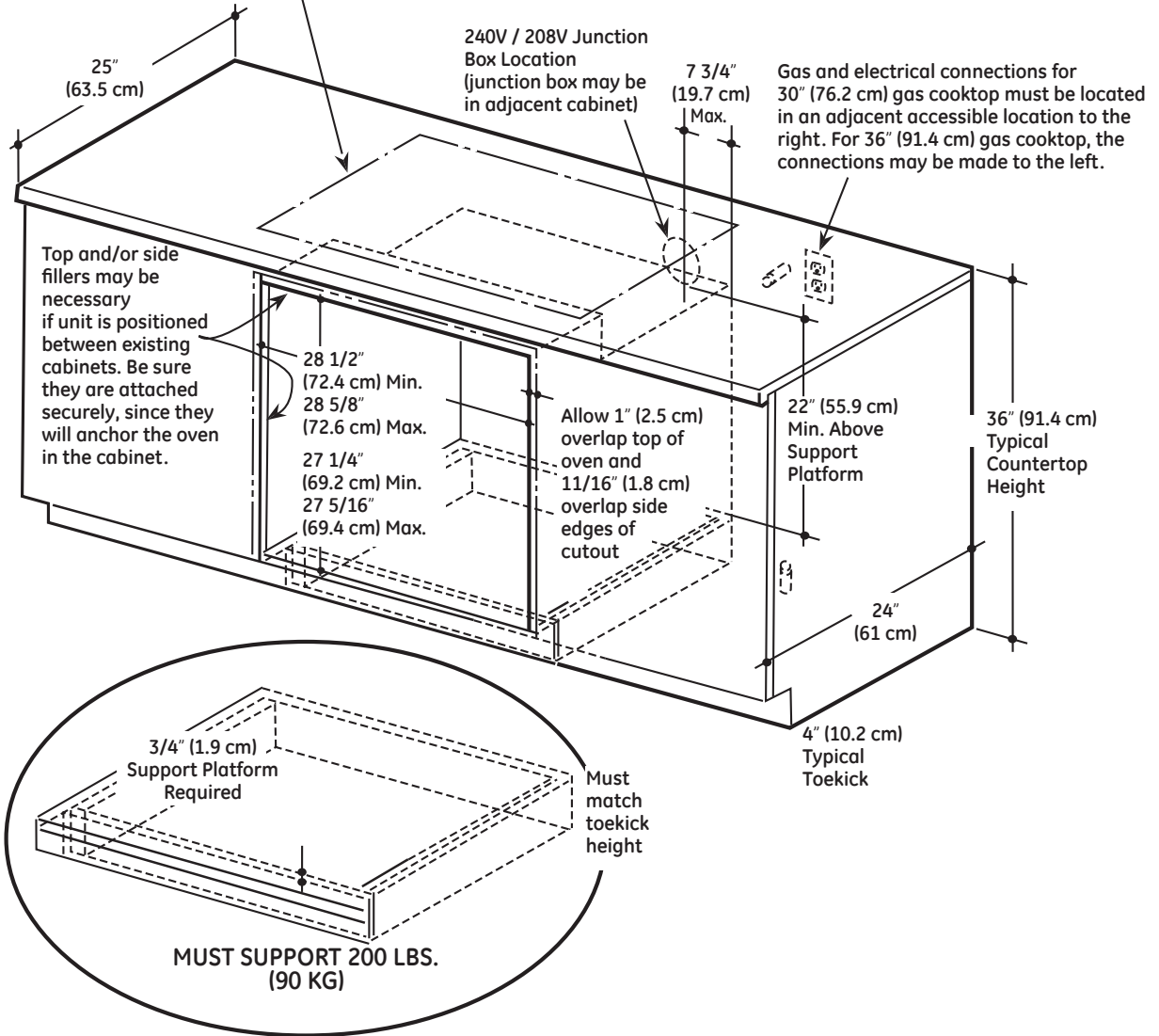
The solid bottom or runners must be level with the bottom of the cutout, or the bottom trim may not install correctly and then interfere with the door opening.

# Installation Instructions

A3

## Cutout for Single Built-In Oven Under Counter

Gas or electric cooktops may be installed over this oven. See cooktop installation instructions for cutout size. See label on top of oven for approved cooktop models.



### Side by Side Installations

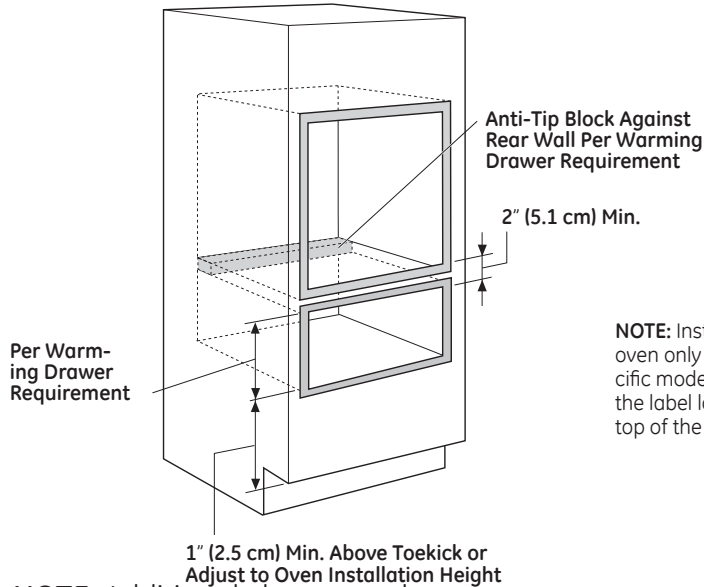
Install two wall ovens in separate cutouts. Allow 2" (5.1 cm) min. between cutouts.

**NOTE:** This oven is only approved to be installed under the specific models as labeled on this unit.



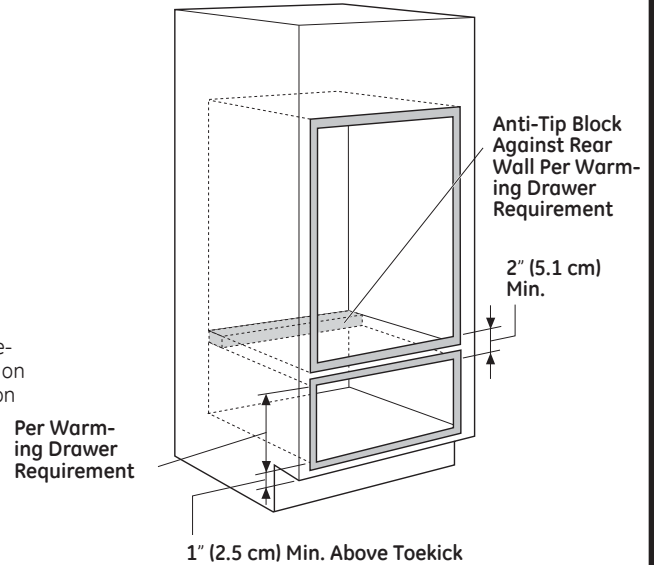
# Cabinetry

## A4 Single Oven Cutout for Installation Over a Monogram Warming Drawer



**NOTE:** Additional clearances between cutouts may be required. Check to be sure the oven supports above the Warming Drawer location do not obstruct the required interior depth and height.

## A5 Double Oven Cutout for Installation Over a Monogram Warming Drawer



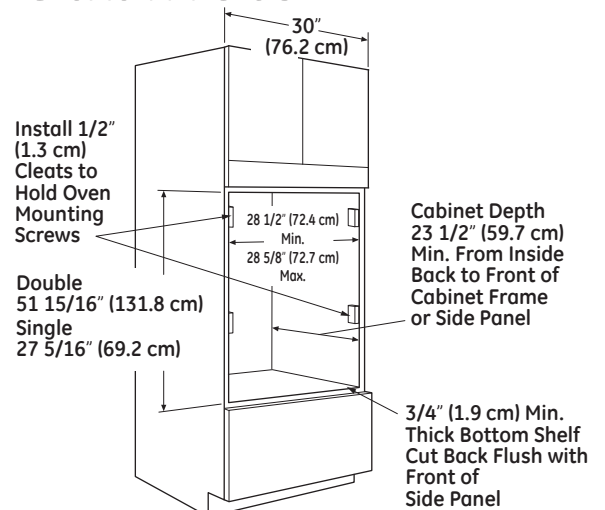
- When installing a Monogram Warming Drawer below a single or double oven, a separate 120V, 60 Hz, properly grounded receptacle must be installed. Refer to installation instructions packed with the Warming Drawer for specific installation requirements.

## A6 Cutout for Frameless Cabinets

### Frameless Cabinets

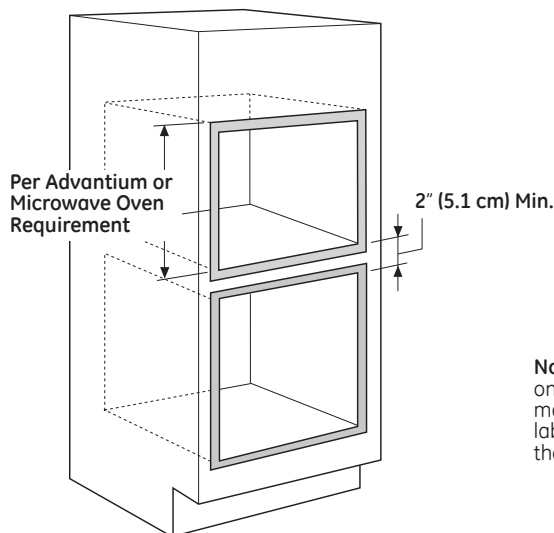
Whenever possible, order 30" (76.2 cm) frameless cabinet with the cutout sided to fit the oven. If using stock cabinets, additional finished filler pieces may be required to cover the opening.

- A stock frameless cabinet cutout width may be up to 28 3/4" (73 cm). If necessary, add 1/2" (1.3 cm) cleats to the sides, flush with the front edge of the side panels to accept mounting screws.



# Cabinetry

## A7 Single Oven Cutout for Installation Below a Monogram Advantium or Microwave Oven



**Note:** Install the oven only with specific models listed on the label located on top of the oven.

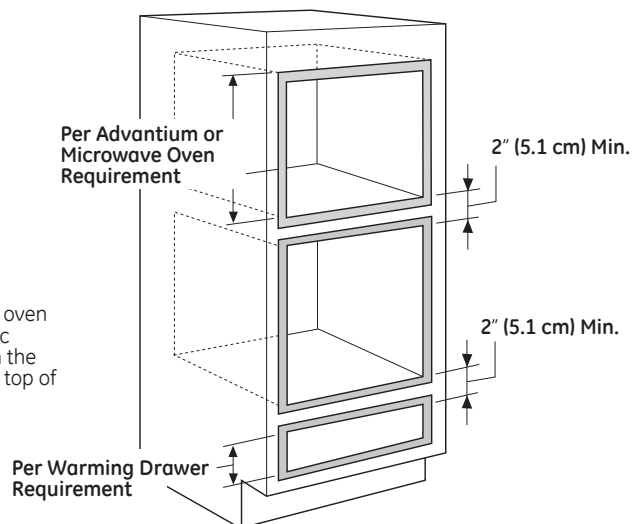
**NOTE:** The middle rail separating the two openings may need to be larger than the 2" (5.1 cm) minimum shown. Always refer to the individual installation instructions packed with each product for specific requirements.

## Combined Advantium or Microwave Oven and Wall Oven Installation:

When installed in combination with a Monogram single wall oven, use separate electrical junction boxes.

- Refer to the Advantium or microwave oven installation instructions for electrical requirements of that product.
- These connections must be made by a qualified electrician. All electrical connections must meet National Electrical Code or prevailing local codes.

## A8 Single Oven Cutout for Installation Between a Monogram Advantium or Microwave Oven and a Monogram Warming Drawer



**NOTE:** Additional clearances may be required. Check to be sure the oven supports above the Warming Drawer do not obstruct the required interior depth and height. The middle rail separating the openings may need to be larger than the 2" (5.1 cm) minimum shown. Always refer to the individual installation instructions packed with each product for specific requirements.

## Warming Drawer Combined with Advantium or Microwave Oven and Single Oven:

Install a separate 120V, 60Hz, properly grounded receptacle. See installation instructions packed with each product for specific requirements.



# Installation Instructions

## B Electrical Connections

### ATTENTION INSTALLER

All electric wall ovens must be hard wired (direct wired) into an approved junction box. A plug and receptacle is NOT permitted on these products.

DO NOT shorten the flexible conduit. The conduit strain relief clamp must be securely attached to the junction box and the flexible conduit must be securely attached to the clamp. If the flexible conduit will not fit within the clamp, do not install the oven until a clamp of the proper size is obtained.

NOTE TO ELECTRICIAN: The 3 power leads supplied with this appliance are UL recognized for connection to heavier gauge household wiring. The insulation of these 3 leads is rated at temperatures much higher than the temperature rating of household wiring. The current carrying capacity of the conductor is governed by the wire gauge and the temperature rating of the insulation around the wire.



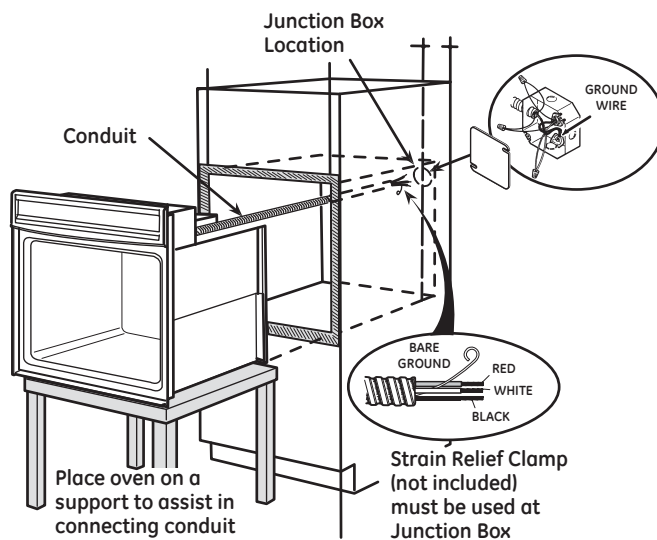
**WARNING:** Improper connection of aluminum house wiring to copper leads can result in an electrical hazard or fire. Use only connectors designed for joining copper to aluminum and follow the manufacturer's recommended procedure closely.

B1

Turn off the circuit breaker or remove fuses to the oven branch circuit.

B2

With the oven supported on a table or platform in front of the cabinet opening, connect the flexible conduit to the electrical junction box as shown below. Position the conduit in such a manner that it will lie on top of the oven in a natural loop when the oven is installed. You will need to purchase an appropriate strain relief clamp to complete the connection of the conduit to the junction box.

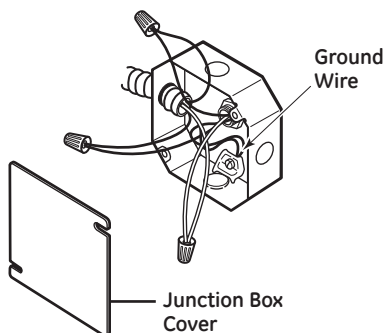


# Installation Instructions

## B3 New Construction and Four-Conductor Branch Circuit Connection

- When installing in new construction, or
- When installing in a mobile home, or
- When installing in a recreational vehicle, or
- When local codes do not permit grounding through neutral:

- a. Cut the neutral (white) lead from the crimp. Re-strip the neutral (white) lead to expose the proper length of conductor.

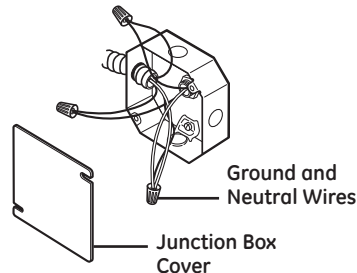


- b. Attach the appliance grounding lead (green or bare copper) in accordance with local codes. If the residence grounding conductor is aluminum, see WARNING on page 9.
- c. Connect the oven neutral (white) lead to the branch circuit neutral (white or gray) in accordance with local codes, using a wire nut.
- d. Connect the oven red lead to the branch circuit red lead and the oven black lead to the branch circuit black lead in accordance with local codes, using wire nuts. If the residence red, black or white leads are aluminum conductors, see WARNING on page 9.
- e. Install Junction Box Cover.

## B4 Three-Conductor Branch Circuit Connection

When connecting to a three-conductor branch circuit, if local codes permit:

- a. Connect the bare oven ground conductor with the crimped neutral (white) lead to the branch circuit neutral (white or gray in color), using a wire nut.



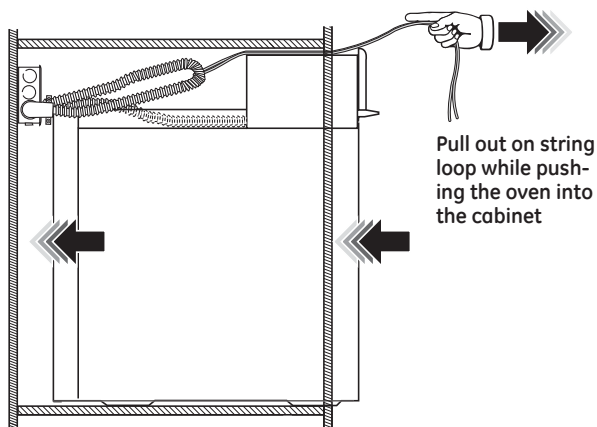
- b. Connect the oven red lead to the branch circuit red lead in accordance with local codes, using a wire nut.
- c. Connect the oven black lead to the branch circuit black lead in accordance with local codes, using a wire nut. If the residence red, black or white leads are aluminum conductors, see WARNING on page 9.
- d. Install Junction Box Cover.

# Installation Instructions

## C Securing the Oven in the Opening

### C1 Sliding the Oven Into the Opening

- a. Loop (**do not tie**) a 36" (91 cm) string around the conduit before the oven is slid into place. This will keep the conduit from falling behind the oven.

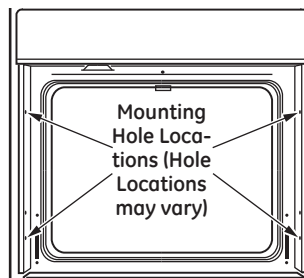


- b. Lift oven into cabinet cutout using the oven opening as a grip. Carefully push against oven front frame. Do not push against outside edges.
- c. As you slide the oven back, pull the string so that the conduit will lie on top of the oven in a natural loop.
- d. When you are sure the conduit is out of the way, slide the oven 3/4 way back into the opening. Remove the string by pulling on one end of the loop.

### C2 Drilling the Pilot Holes and Mounting the Oven

**NOTE:** Before drilling the pilot holes, make sure the oven is pushed as far back into the opening as it will go and centered.

- a. Drill through the mounting holes (top and bottom) of the side trim, for the #8 screws provided.



The screws must be a minimum of 1/4" (0.64 cm) from the front of the cutout.

**WARNING:** Mounting screws must be used. Failure to do so could result in the oven falling out of the cabinet causing serious injury.

- b. Secure the oven to cabinet with screws provided.

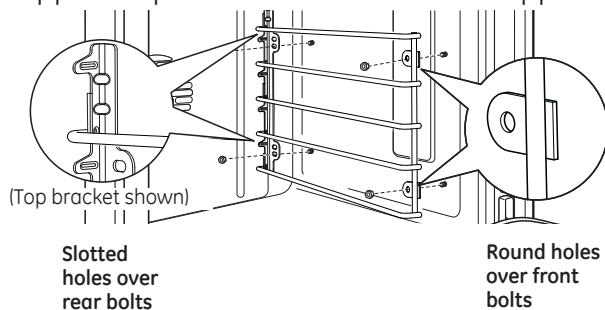
**NOTE:** If the cabinet is particle board, you must use #8 x 3/4" (1.9 cm) particle board screws. These may be purchased at any hardware store.

# Installation Instructions

## C3 Installing the Oven Rack Supports and Oven Racks

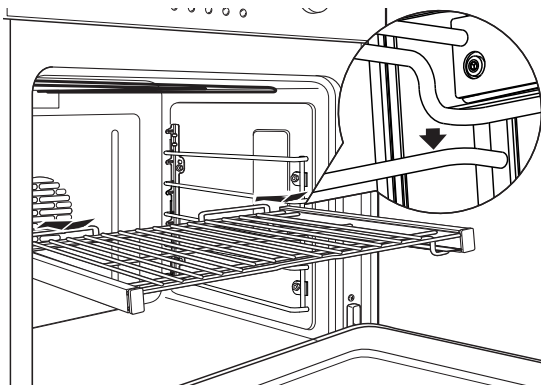
### Oven Rack Supports

Place the rack support with the slotted holes over the rear bolts and the round holes over the front bolts. Using an adjustable wrench, lightly secure with four nuts but do not overtighten or the enamel could be chipped. Repeat for the second rack support.



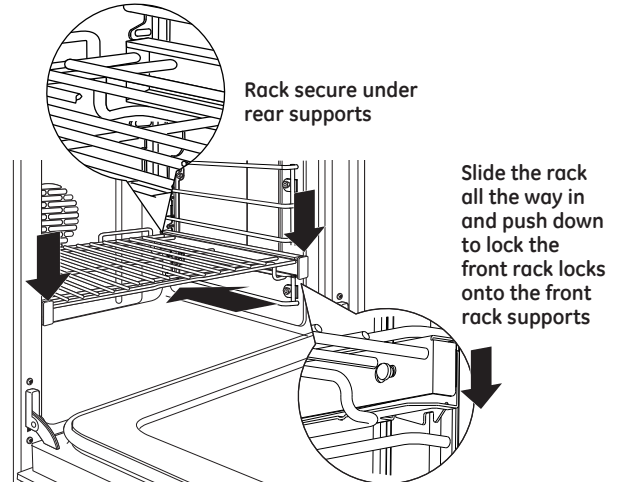
### Oven Racks

- a. Place the rear rack locks over and onto the rack supports (five rack positions are available, including the top position).



- b. Slide the rack all the way in until the rear rack locks are secure on the rear rack supports, and press the front rack locks onto the front rack supports.

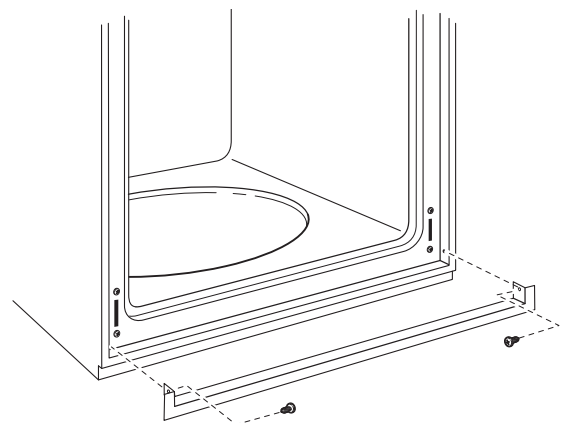
## C3 Installing the Oven Rack Supports and Oven Racks (Cont.)



- c. Slide the rack all the way out to ensure that the rack is locked.

## C4 Installing the Metal Bottom Trim

- a. Place the bottom trim between the side trim and against the bottom of the cutout.
- b. Using two trim screws provided, secure the bottom trim through the holes in the trim.



**IMPORTANT:** If this unit is ever removed from the cabinet or the oven is ever pulled out for service, the trim must be removed first or damage to the trim will occur.

# Installation Instructions

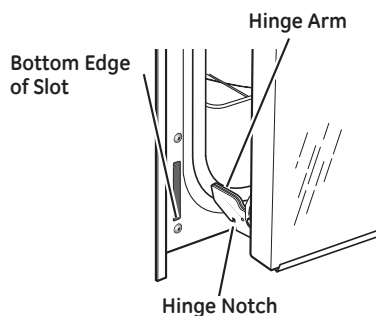
## D Replacing the Oven Door

**NOTE:** The oven door is heavy. You may need help lifting the door high enough to slide it into the hinge slots. Do not lift the door by the handle.

- D1** Lift the oven door by placing one hand on each side. The door is heavy, so you may need help. Do not lift the door by the handle.

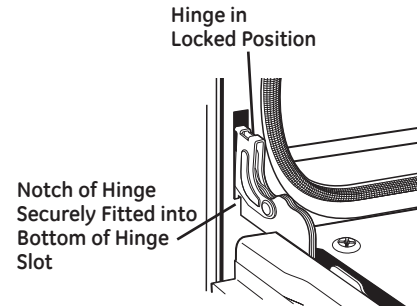


- D2** With the door at the same angle as the removal position, which is most of the way closed, seat the notch of the hinge arm into the bottom edge of the hinge slot. The notch of the hinge arm must be fully seated into the bottom of the slot.



- D3** Open the oven door as far as it will open.

- D4** Push the hinge locks up against the front frame of the oven cavity, to the locked position.



- D5** Close the oven door.

# Installation Instructions

## ✓ Pre-Test Checklist

✓ Remove all protective film, if present, and any stickers.

✓ Check to be sure that all wiring is secure and not pinched or in contact with moving parts.

✓ **NOTE TO ELECTRICIAN: You must unplug the green wire (near where the long flexible conduit exits the unit) when conducting high-potential testing. Please replug prior to operation.**

✓ Check that the bottom trim is installed properly (see page 12).

✓ Check to be sure the mounting screws are installed and flush with the side trim (see page 11).

## ✓ Operation Checklist

✓ Remove all items from the inside of the oven.

✓ Check that conduit is securely connected to the junction box.

✓ Turn on the power to the oven. (Refer to your Owner's Manual.) Verify that the bake and broil units, and all cooking functions operate properly.

✓ Check that the circuit breaker is not tripped nor the house fuse blown.

✓ See your Owner's Manual for troubleshooting list.

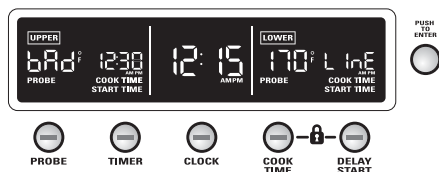
✓ If "bAd" "LInE" appears in the display when the power is turned on, the house wiring connections are incorrect.

✓ **NOTE TO ELECTRICIAN: The power leads supplied with this appliance are UL recognized for connections to larger gauge household wiring. The insulation of these leads is rated at temperatures much higher than the temperature rating of household wiring. The current carrying capacity of a conductor is governed by the wire gauge and also the temperature rating of the insulation around the wire.**

**NOTE: ALUMINUM WIRING**

- A. **WARNING: IMPROPER CONNECTION OF ALUMINUM HOUSE WIRING TO THE COPPER LEADS CAN RESULT IN AN ELECTRICAL HAZARD OR FIRE.**
- B. Splice copper wires to aluminum wiring using special connectors designed and UL approved for joining copper to aluminum, and follow the manufacturer's recommended connector procedure closely.

**NOTE: Wire used, location and enclosure of splices, etc., must conform to good wiring practice and local codes.**



# Directives d'installation

## Four mural encastré

modèles de 30 po (76,2 cm)  
ZET1, ZET2

Si vous avez des questions, composez le 1.800.561.3344 ou visitez notre site web à : [www.electromenagersge.ca](http://www.electromenagersge.ca)

### Avant de commencer

Lisez complètement et attentivement les directives suivantes.

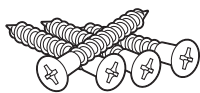
- **IMPORTANT**—Conservez ces directives pour votre inspecteur local.
- **IMPORTANT**—Respectez tous les codes et les décrets en vigueur.
- Note à l'intention de l'installateur—Assurez-vous de laisser ces directives chez le consommateur.
- Note au consommateur—Conservez ces directives pour consultation ultérieure.

- Il est de la responsabilité de l'installateur de procéder à une installation appropriée. Un dysfonctionnement du produit qui résulterait d'une installation incorrecte ne serait PAS couvert par la garantie.
- NOTE—Cet appareil doit être mis à la terre adéquatement.

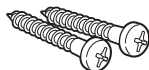
### AVIS IMPORTANT À L'INSTALLATEUR :

Tous les fours muraux encastrés doivent être raccordés (raccordement direct) dans un boîtier de jonction homologué. Une fiche et une prise de courant ne sont PAS autorisées pour brancher ces produits.

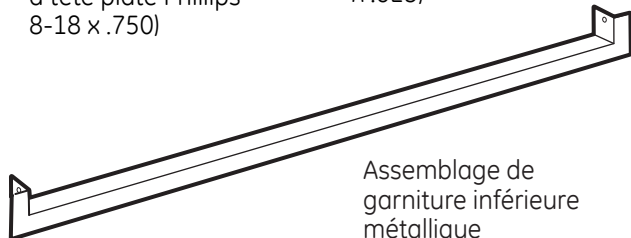
### Pièces incluses (L'aspect des pièces peut varier.)



Vis à bois de 3/4 po (Vis à bois à tête plate Phillips 8-18 x .750)



Vis à bois de 5/8 po (Vis à bois à tête bombée Phillips 8A8 x .625)

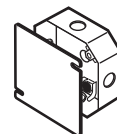
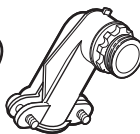


Assemblage de garniture inférieure métallique

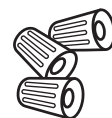
### Matériel requis



Bague anti-traction pour conduit de 1/2 po



Boîte de jonction

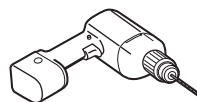


Serre-fils



Ficelle de 91 cm (36 po)

### Outils requis



Perceuse électrique ou manuelle et mèche de 3 mm (1/8 po)



Tournevis à pointe cruciforme



Clef réglable

# Directives d'installation

## CONSIGNES DE SÉCURITÉ IMPORTANTES

### Pour votre sécurité

- Assurez-vous que votre four est bien monté par un installateur qualifié ou un technicien de service.
- Assurez-vous que les armoires de cuisine et les revêtements de mur autour du four peuvent supporter la température (pouvant atteindre 93 °C [200 °F]) produite par le four.
- Assurez-vous que votre four est monté en toute sécurité dans une enceinte qui est bien fixée à la structure de votre maison. Toute pression appliquée sur la porte du four peut faire tomber le four et occasionner des blessures. Ne permettez à personne de grimper, de s'asseoir, de se tenir sur la porte du four ou de s'y suspendre.



**AVERTISSEMENT :** Vous devez couper l'alimentation électrique du four avant de le brancher. Le défaut de se conformer à cette procédure peut entraîner des blessures sévères et même la mort.

### Alimentation

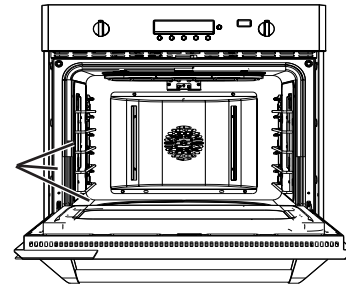
Cet appareil doit être alimenté avec un courant de tension et de fréquence appropriées et connecté à un circuit individuel adéquatement mis à la terre et protégé par un disjoncteur ou un fusible. Veuillez consulter la plaque signalétique située sur le cadre du four afin de déterminer la puissance nominale du produit. Servez-vous du tableau ci-dessous pour déterminer la protection minimale recommandée du circuit dédié.

Puissance nominale en kW 240V	Puissance nominale en kW 208 V	Calibre recommandé pour le circuit (dédié)
≤ 4,8 kW	≤ 4,1 kW	20 ampères
4,9 kW à 7,2 kW	4,3 kW à 6,2 kW	30 ampères
7,3 kW à 9,6 kW	6,3 kW à 8,3 kW	40 ampères
9,7 kW à 12,0 kW	8,4 kW à 10,4 kW	50 ampères

### Alimentation (suite)

La plaque signalétique est située sur la garniture latérale du four, sur le devant du cadre latéral ou sur le devant du cadre inférieur.

Emplacement de la plaque signalétique



Nous vous recommandons de faire réaliser le câblage électrique et le branchement de votre four par un électricien qualifié. Après le montage, demandez à l'électricien de vous montrer l'emplacement de l'interrupteur d'isolement de votre four.

Vérifiez, auprès de votre compagnie d'électricité, le code de l'électricité régissant les installations électriques dans votre région. Si vous ne branchez pas votre four conformément au code en vigueur, vous vous exposez à une situation dangereuse. En l'absence d'un code de l'électricité local, votre four doit être muni d'un branchement et de fusibles qui répondent à la norme CAN/CSA C22.2 No. O-M91, ou la dernière édition.

Vous devez utiliser un circuit électrique présentant les caractéristiques suivantes : courant monophasé (c.a.), trifilaire, 208Y/120 volts ou 240/120 volts, 60 hertz. Si vous vous branchez à du câblage en aluminium, vous devez utiliser des connecteurs correctement montés et approuvés pour ce type de câblage.

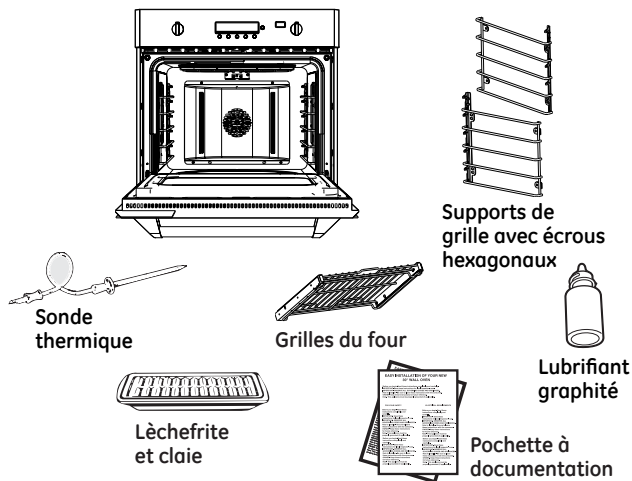


# Directives d'installation

## ✓ Liste de vérification avant montage

TOUTES LES DIRECTIVES D'INSTALLATION QUI SUIVENT SONT PRÉVUES POUR L'INSTALLATION DE FOURS ENCASTRÉS **SIMPLES** OU **DOUBLES**!

- ✓ Enlevez tous les matériaux d'emballage. Vérifiez derrière les charnières et sous le faux fond. Enlevez les étiquettes sur la face extérieure de la porte, la matière plastique sur les garnitures et le panneau ainsi que le ruban collé autour du four. Enlevez aussi les vis d'expédition qui fixent le four sur sa base.



- ✓ Ouvrez la porte du four et enlevez la documentation, la lèche-frite et la claie, les grilles, les supports de grille et le sac contenant les neuf écrous hexagonaux.

- ✓ Lisez les directives d'installation attentivement avant de commencer.

Assurez-vous de ranger la documentation dans un endroit sûr pour consultation ultérieure.

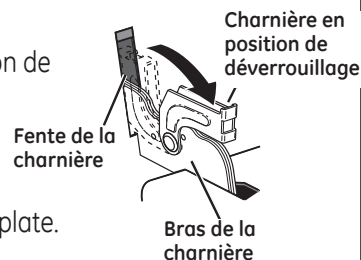


## Pour enlever la porte (si nécessaire)

Il est possible d'enlever la porte du four pour faciliter l'installation, bien que cela ne soit pas obligatoire. Pour enlever la porte :

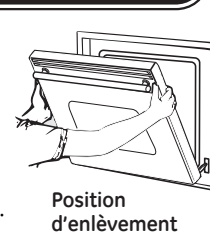
- ✓ Ouvrez la porte jusqu'à son angle maximum.

- ✓ Amenez les deux charnières en position de déverrouillage en les abaissant vers le châssis de la porte. S'il le faut, utilisez un tournevis à lame plate.

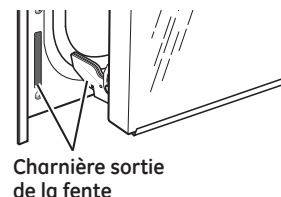


## NE SOULEVEZ PAS LA PORTE PAR SA POIGNÉE!

- ✓ Placez vos mains de chaque côté de la porte et refermez la porte du four jusqu'à la position d'enlèvement, qui correspond à peu près à la position fermée.



- ✓ Soulevez la porte en tirant vers l'extérieur jusqu'à ce que les bras des charnières sortent des fentes.



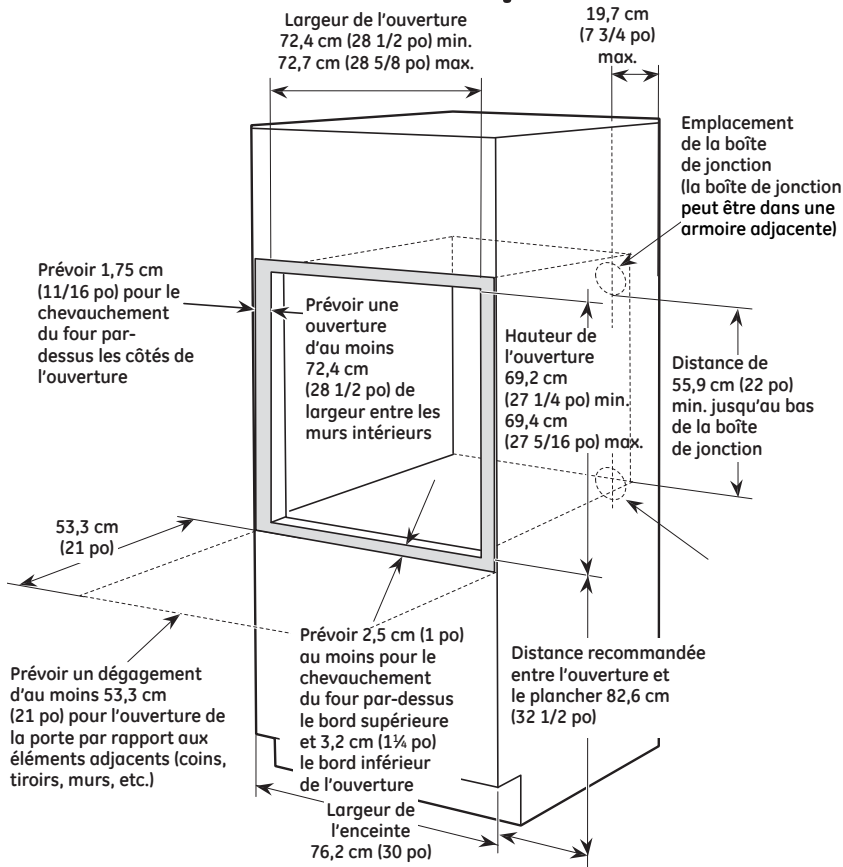
**NOTE : La porte du four est très lourde. Assurez-vous de bien la tenir avant de la soulever pour la séparer des charnières. Soyez vigilant une fois la porte enlevée. Ne laissez jamais la porte reposer sur sa poignée. Cela pourrait la rayer ou la bosseler.**

- ✓ Placez le four sur une table ou une plate-forme de niveau avec l'ouverture qui a été pratiquée pour recevoir le four (la plate-forme doit pouvoir supporter 79 kg [175 livres] dans le cas d'un four simple, 159 kg [350 livres] dans le cas d'un four double).

- ✓ Enlevez la garniture inférieure fixée temporairement dans le haut du four. Elle sera posée à la fin du montage. La garniture est emballée séparément et fixée dans le haut du four par du ruban adhésif.

# Directives d'installation

## A1 Ouverture pour four encastré simple

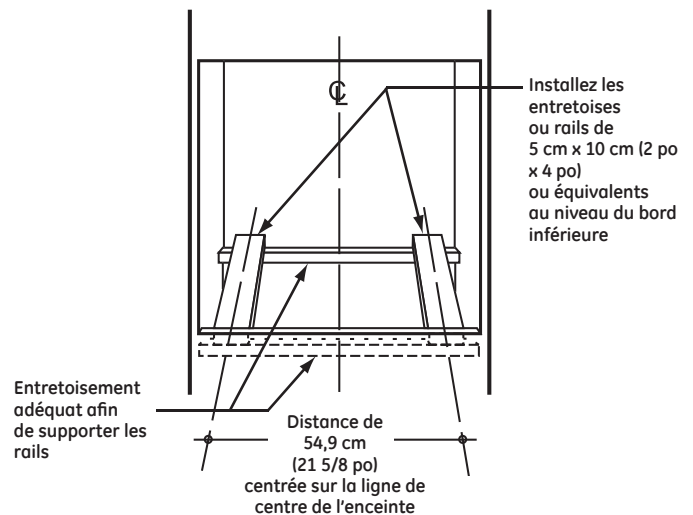


Largeur de l'enceinte	76,2 cm (30 po)
Distance recommandée entre l'ouverture et le plancher	82,6 cm (32 1/2 po)
Profondeur de l'ouverture	59,7 cm (23 1/2 po) Min.
Largeur de l'ouverture	72,4 cm (28 1/2 po) Min. 72,7 cm (28 5/8 po) Max.
Hauteur de l'ouverture	69,2 cm (27 1/4 po) Min. 69,4 cm (27 5/16 po) Max.

**NOTE :** Si l'enceinte n'est pas dotée d'un panneau frontal et si l'épaisseur des côtés fait moins de 1,9 cm (3/4 po), placez des cales d'égale épaisseur de chaque côté pour déterminer la largeur de l'ouverture.

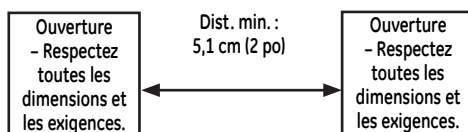
Si l'enceinte n'est pas munie d'un fond solide, deux entretoises ou rails doivent être posés au niveau du bord inférieur de l'ouverture pour soutenir le poids du four. Ces entretoises ou rails doivent supporter 90 kg (200 livres) dans le cas d'un four simple.

**NOTE :** Si la trace de l'ouverture, des marques ou des imperfections sont visibles au-dessus du four, il peut être nécessaire d'ajouter des cales de bois sous les rails et la garniture frontale jusqu'à ce que les défauts soient cachés.



### Installations côte à côte

Installez deux fours muraux dans des ouvertures distinctes. Laissez un espace d'au moins 5,1 cm (2 po) entre les ouvertures.

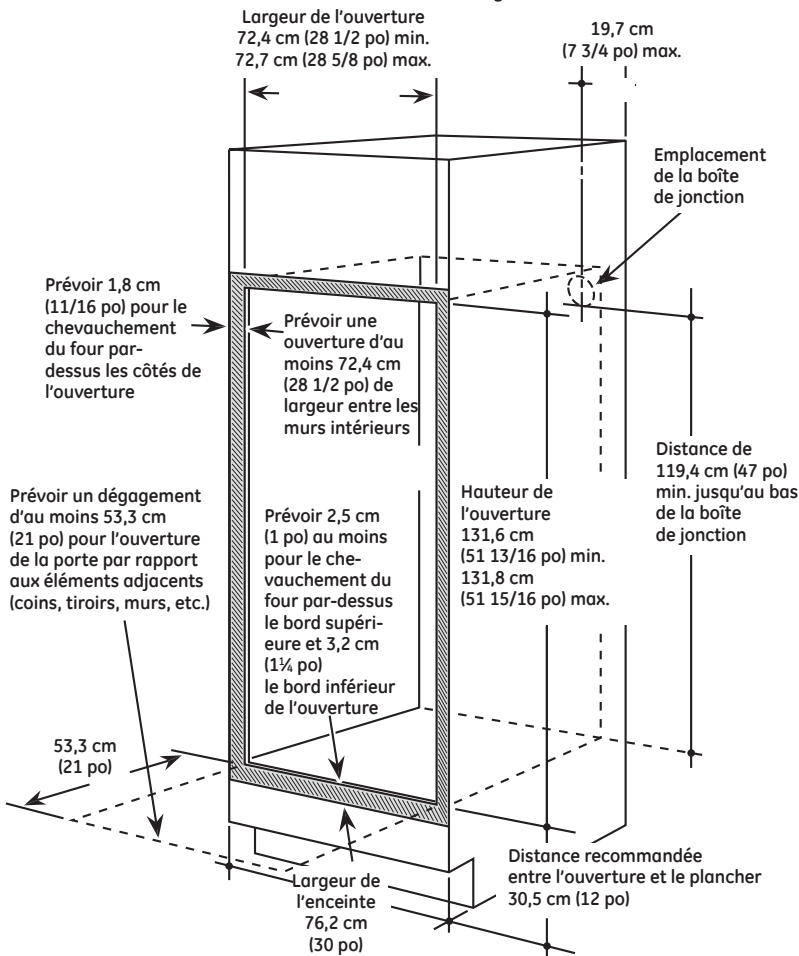


Les entretoises ou rails doivent être de niveau avec le bord inférieur de l'ouverture, sinon la garniture inférieure pourrait être mal installée et ainsi nuire à l'ouverture de la porte.

**Ce four n'est pas approuvé pour un montage dessous le comptoir superposé.**

# Directives d'installation

## A2 Ouverture pour four encastré double



Largeur de 76,2 cm (30 po) l'enceinte

Distance recommandée entre l'ouverture et le plancher 30,5 cm (12 po)

Profondeur de l'ouverture 59,7 cm (23 1/2 po) min.

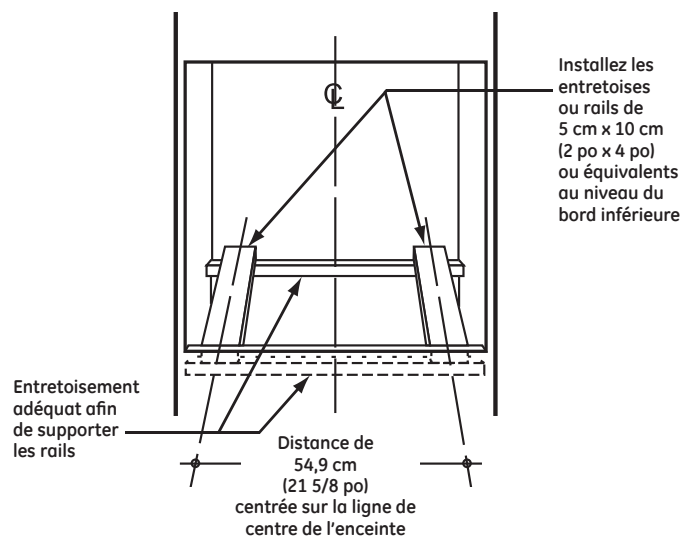
Largeur de l'ouverture 72,4 cm. (28 1/2 po) min.  
72,7 cm (28 5/8 po) max.

Hauteur de l'ouverture 131,6 cm (51 13/16 po) min.  
131,8 cm (51 15/16 po) max.

**NOTE :** Si l'enceinte n'est pas dotée d'un panneau frontal et si l'épaisseur des côtés fait moins de 1,9 cm (3/4 po), placez des cales d'égale épaisseur de chaque côté pour déterminer la largeur de l'ouverture.

Si l'enceinte n'est pas munie d'un fond solide, deux entretoises ou rails doivent être posés au niveau du bord inférieur de l'ouverture pour soutenir le poids du four. Ces entretoises ou rails doivent supporter 169 kg (375 livres) dans le cas d'un four double.

**NOTE :** Si la trace de l'ouverture, des marques ou des imperfections sont visibles au-dessus du four, il peut être nécessaire d'ajouter des cales de bois sous les rails et la garniture frontale jusqu'à ce que les défauts soient cachés.



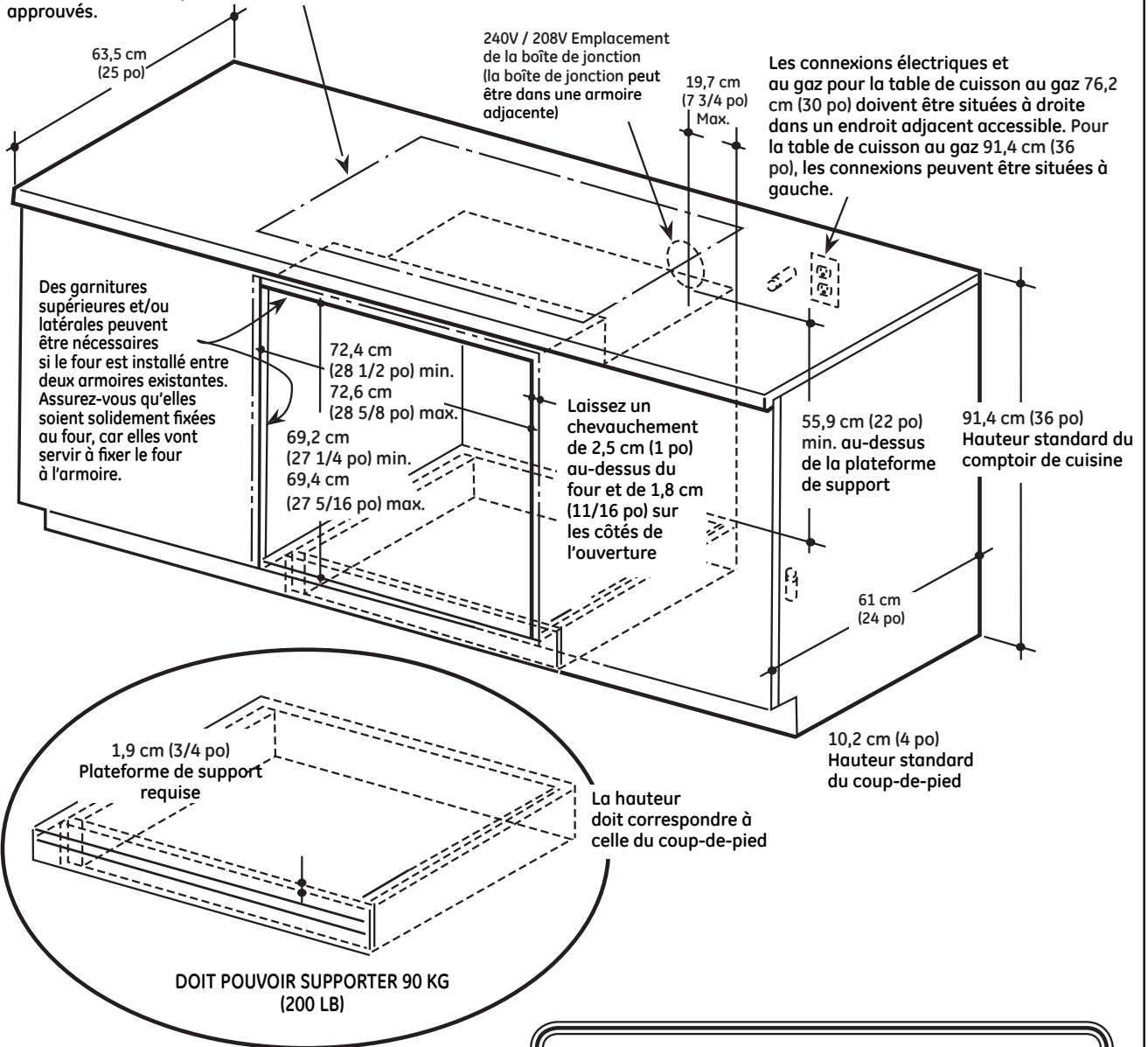
Les entretoises ou rails doivent être de niveau avec le bord inférieur de l'ouverture, sinon la garniture inférieure pourrait être mal installée et ainsi nuire à l'ouverture de la porte.

# Directives d'installation

A3

## Ouverture pour four encastré simple installé au dessous d'un comptoir

Une table de cuisson électrique ou au gaz peut être installée au-dessus de ce four. Voir les instructions d'installation de la table de cuisson pour connaître la taille de l'ouverture. Voir l'étiquette sur le dessus du four pour connaître les modèles de table de cuisson approuvés.



### Installations côte à côte

Installez deux fours muraux dans des ouvertures distinctes. Laissez un espace d'au moins 5,1 cm (2 po) entre les ouvertures.

Ouverture  
- Respectez toutes les dimensions et les exigences.

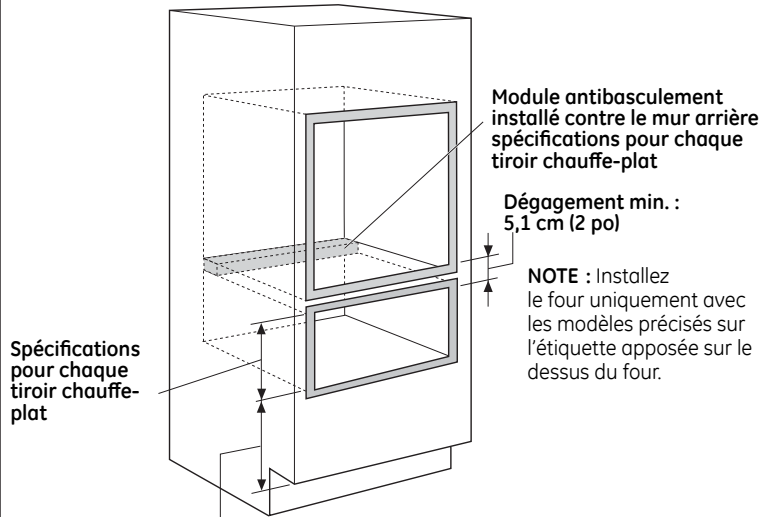
Dist. min. :  
5,1 cm (2 po)

Ouverture  
- Respectez toutes les dimensions et les exigences.

**NOTE : Ce four est approuvé uniquement pour une installation sous les modèles particuliers mentionnés sur l'étiquette apposée sur cet appareil.**

# Armoires de cuisine

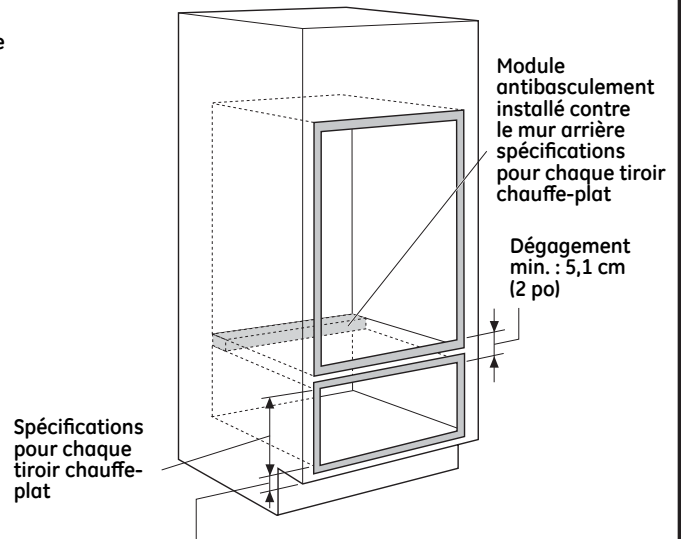
## A4 Ouverture pour four encastré simple pour une installation au-dessus d'un tiroir chauffe-plat Monogram



Dégagement min. de 2,5 cm (1 po) au-dessus du coup-de-pied ou ajustez en fonction de la hauteur d'installation du four

**NOTE :** Il est possible qu'un dégagement supplémentaire soit nécessaire entre les ouvertures. Assurez-vous que les supports du four au-dessus de l'emplacement du tiroir chauffe-plat ne réduisent pas la profondeur et la hauteur intérieures requises pour l'installation.

## A5 Ouverture pour four encastré double pour une installation au-dessus d'un tiroir chauffe-plat Monogram



Dégagement min. de 2,5 cm (1 po) au-dessus du coup-de-pied

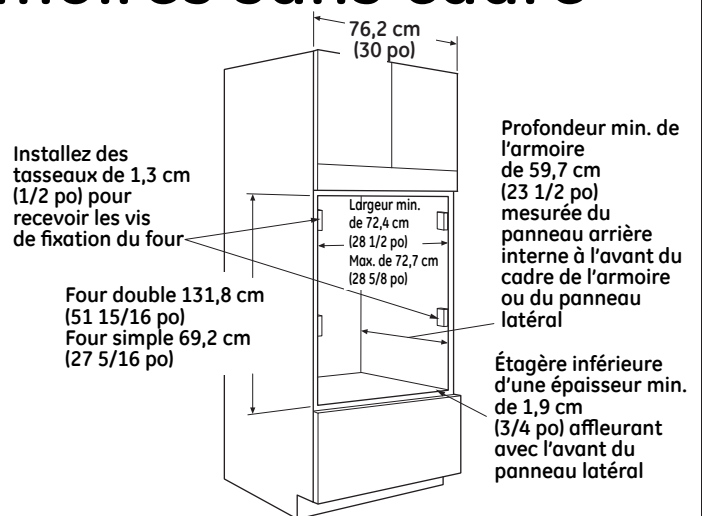
- Prévoyez une prise électrique distincte de 120 V, 60 Hz, correctement mise à la terre, pour l'installation d'un tiroir chauffe-plat Monogram sous un four encastré simple ou double. Reportez-vous aux directives d'installation emballées avec le tiroir chauffe-plat pour les directives d'installation spécifiques.

## A6 Ouverture pour armoires sans cadre

### Armoires de cuisine sans cadre

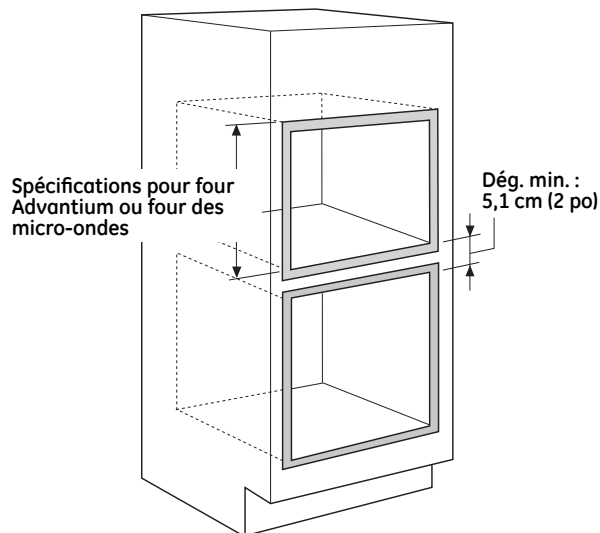
Lorsque c'est possible, commandez l'armoire sans cadre de 76,2 cm (30 po) avec l'ouverture coupée, prête à recevoir le four. Pour l'installation dans des armoires de série, il est possible que des pièces de bois de même fini s'avèrent nécessaires pour sceller l'ouverture.

- La largeur d'une ouverture dans une armoire de série sans cadre peut atteindre 73 cm (28 3/4 po). Au besoin, ajoutez des tasseaux de 1,3 cm (1/2 po) sur les côtés, affleurant le bord avant des panneaux latéraux, pour y insérer les vis de fixation.



# Armoires de cuisine

## A7 Ouverture pour four encastré simple pour une installation sous un four Monogram Advantium ou un four des micro-ondes



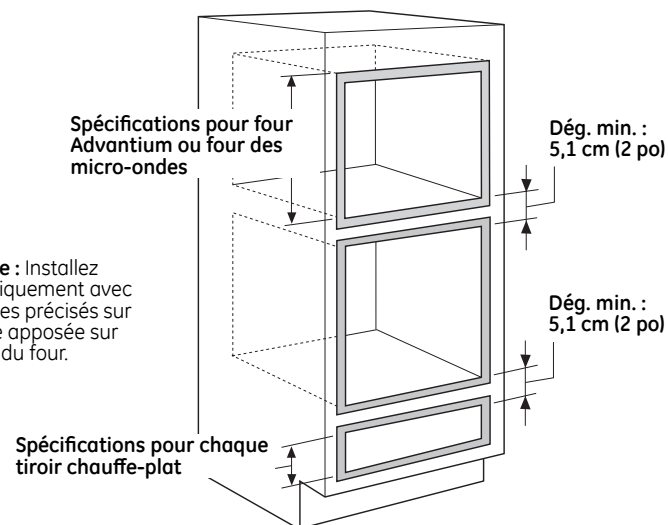
**NOTE :** Le rail qui séparera les deux ouvertures pourrait exiger un dégagement supérieur aux 5,1 cm (2 po) minimum indiqués. Reportez-vous toujours aux directives d'installation distinctes emballées avec chaque produit pour les spécifications particulières au produit.

### Installation d'un four Advantium ou d'un four des micro-ondes et d'un four encastré :

Lors d'une installation du modèle Advantium ou four des micro-ondes avec un four encastré simple Monogram, utilisez des boîtes de jonction distinctes.

- Reportez-vous aux directives d'installation du four Advantium ou du four des micro-ondes pour les spécifications particulières à ce produit en matière d'alimentation.
- Ces connexions doivent être exécutées par un électricien qualifié. Toutes les connexions électriques doivent se conformer au Code national de l'électricité ou au code local en vigueur.

## A8 Ouverture pour un four encastré simple installé entre un four Monogram Advantium ou un four des micro-ondes et un tiroir chauffe-plat Monogram



**Remarque :** Installez le four uniquement avec les modèles précisés sur l'étiquette apposée sur le dessus du four.

**NOTE :** Il est possible qu'un dégagement supplémentaire s'avère nécessaire. Assurez-vous que les supports du four au-dessus du tiroir chauffe-plat ne réduisent pas la profondeur et la hauteur intérieures requises pour l'installation. Le rail qui séparera les ouvertures pourrait exiger un dégagement supérieur aux 5,1 cm (2 po) minimum indiqués. Reportez-vous toujours aux directives d'installation distinctes emballées avec chaque produit pour les spécifications particulières au produit.

### Tiroir chauffe-plat installé avec un four Advantium ou un four des micro-ondes et un four encastré simple :

Installez une prise électrique distincte de 120 V, 60 Hz, correctement mise à la terre. Consultez les directives d'installation emballées avec chaque produit pour connaître les spécifications particulières au produit.

# Directives d'installation

## B Raccordement électrique

### AVIS IMPORTANT À L'INSTALLATEUR :

Tous les fours muraux encastrés doivent être raccordés (raccordement direct) dans une boîte de jonction approuvée. Une fiche et une prise de courant ne sont PAS autorisées pour brancher ce produit.

**NE PAS raccourcir le conduit flexible.**  
La bague anti-traction du conduit doit être fixée fermement à la boîte de jonction et le conduit flexible doit être fixé fermement à la bague. Si le conduit flexible n'est pas ajusté à la bague, procurez-vous une bague dont la taille est appropriée avant d'installer le four.

**AVIS À L'ÉLECTRICIEN :** Les 3 fils électriques de sortie fournis avec cet appareil sont approuvés par la CSA pour un branchement à du câblage résidentiel de calibre (*Gauge*) supérieur. Les températures nominales de l'isolant de ces 3 fils sont beaucoup plus élevées que celles du câblage résidentiel. La capacité de transport du courant supportée par un conducteur est déterminée par le calibre du fil et la température nominale de l'isolant autour du fil.



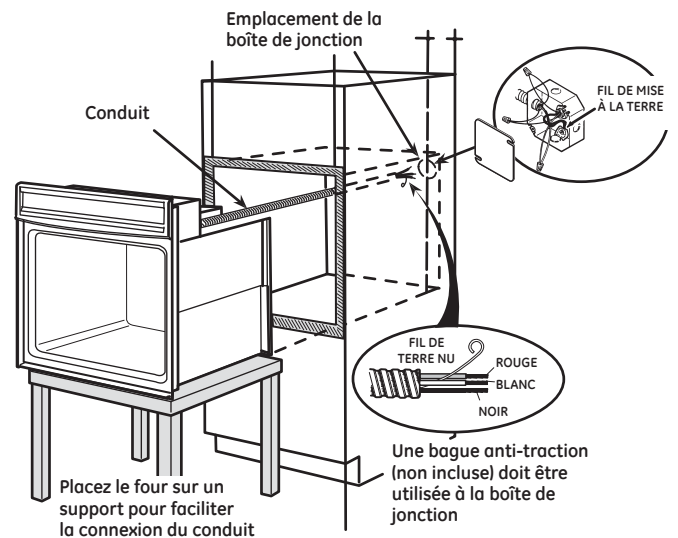
**AVERTISSEMENT :** Le raccordement inadéquat d'un câblage résidentiel en aluminium à des fils de sortie en cuivre peut entraîner un risque électrique ou d'incendie. Utilisez uniquement des connecteurs conçus pour raccorder du cuivre à l'aluminium et respectez minutieusement la procédure recommandée par le fabricant.

**B1**

Mettez le disjoncteur hors circuit ou enlevez les fusibles du circuit terminal du four.

**B2**

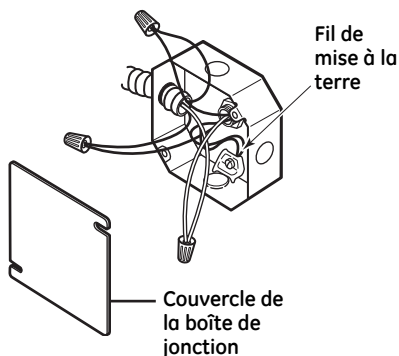
Le four reposant sur une table ou une plate-forme en face de l'ouverture de l'enceinte, connectez le conduit flexible à la boîte de jonction, tel qu'illustré ci-dessous. Placez le conduit de manière à ce qu'il fasse une boucle normale sur le dessus du four une fois ce dernier installé. Vous devez vous procurer une bague anti-traction appropriée pour terminer la connexion du conduit à la boîte de jonction.



# Directives d'installation

## B3 Nouvelle construction et connexion du circuit de dérivation à quatre conducteurs

- Lors d'une installation dans une nouvelle construction ou
  - Lors d'une installation dans une maison mobile ou
  - Lors d'une installation dans un véhicule récréatif ou
  - Lorsque les codes locaux en vigueur ne permettent pas la mise à la terre par le conducteur neutre :
- a. Dégagez le fil neutre (blanc) du câble. Dénudez à nouveau le fil neutre (blanc) pour exposer la bonne longueur de conducteur.

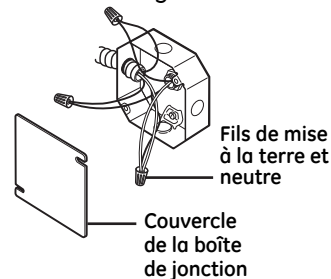


- b. Fixez le fil de mise à la terre de l'appareil (fil vert ou en cuivre dénudé) conformément aux codes locaux. Si le conducteur de mise à la terre de l'habitation est en aluminium, consultez l'AVERTISSEMENT en page 9.
- c. Avec un capuchon de connexion, reliez le fil neutre (blanc) du four au circuit de dérivation neutre (blanc ou gris) conformément aux codes locaux.
- d. Avec des capuchons de connexion, reliez le fil rouge du four au fil rouge du circuit de dérivation et le fil noir du four au fil noir du circuit de dérivation conformément aux codes locaux. Si les fils rouge, noir ou blanc de l'habitation sont des conducteurs en aluminium, consultez l'AVERTISSEMENT en page 9.
- e. Installez le couvercle de la boîte de jonction.

## B4 Connexion à un circuit de dérivation à trois conducteurs

Lors de la connexion à un circuit de dérivation à trois conducteurs, si les codes locaux le permettent :

- a. Avec un capuchon de connexion, reliez le conducteur dénudé du four, avec le fil neutre (blanc) serti, au circuit de dérivation neutre (de couleur blanche ou grise).



- b. Avec un capuchon de connexion, reliez le fil rouge du four avec le fil rouge du circuit de dérivation conformément aux codes locaux.
- c. Avec un capuchon de connexion, reliez le fil noir du four avec le fil noir du circuit de dérivation conformément aux codes locaux. Si les fils rouge, noir ou blanc de l'habitation sont des conducteurs en aluminium, consultez l'AVERTISSEMENT en page 9.
- d. Installez le couvercle de la boîte de jonction.

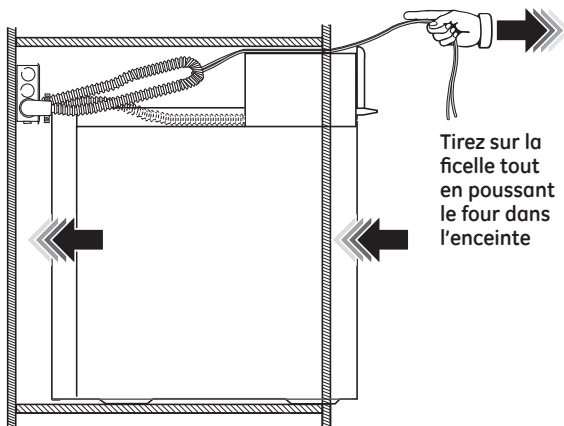


# Directives d'installation

## C Fixation du four dans l'ouverture

### C1 Mise en place du four dans l'ouverture

- a. Faire passer (**ne pas nouer**) une ficelle de 91 cm (36 po) autour du conduit avant de faire glisser le four en place. On évitera ainsi de faire tomber le conduit en arrière du four.



- b. Agrippez le four par l'intérieur de son orifice pour le soulever fermement jusque dans l'ouverture de l'enceinte. Poussez avec précaution sur le devant du châssis du four. Ne poussez pas sur les bords extérieurs.
- c. Tout en faisant glisser le four vers l'arrière, tirez sur la ficelle pour que le conduit fasse une boucle normale sur le dessus du four.
- d. Une fois le conduit dégagé de l'arrière du four, poussez ce dernier dans l'ouverture aux trois-quarts de la distance. Tirez sur une extrémité de la ficelle pour la récupérer.

### C2 Perçage des trous de guidage et montage du four

**NOTE :** Avant de percer les trous de guidage, assurez-vous de pousser le four jusqu'à l'endroit où il doit aller et de le centrer adéquatement.

- a. Percez à travers les trous de montage (haut et bas) de la garniture latérale, pour recevoir les vis #8 fournies.



Les vis doivent être à une distance d'au moins 6 mm (1/4 po) du devant de l'ouverture.

**AVERTISSEMENT :** Des vis de montage doivent être utilisées. Le défaut de se conformer à cette directive peut occasionner la chute de four et, par voie de conséquence, des blessures sévères.

- b. Fixez le four à l'enceinte à l'aide des vis fournies.

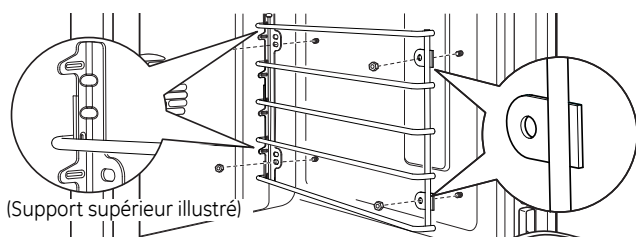
**NOTE :** Si l'enceinte est en panneaux de particules, vous devez utiliser des vis #8 x 19 mm (3/4 po) conçues pour ce matériau. On peut s'en procurer dans n'importe quelle quincaillerie.

# Directives d'installation

## C3 Installation des supports de grille et des grilles du four

### Supports de grille du four

Insérez le support de grille avec les trous ovalisés au-dessus des boulons arrière et les trous ronds au-dessus des boulons avant. Avec une clé ajustable, serrez légèrement les quatre écrous sans toutefois trop serrer pour éviter d'endommager l'émail du four. Répétez ces étapes pour le deuxième support de grille.



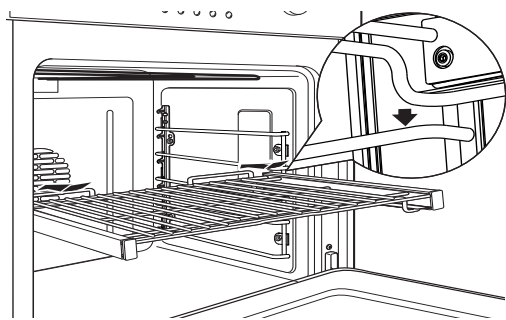
(Support supérieur illustré)

Trous ovalisés au-dessus des boulons arrière

Trous ronds au-dessus des boulons avant

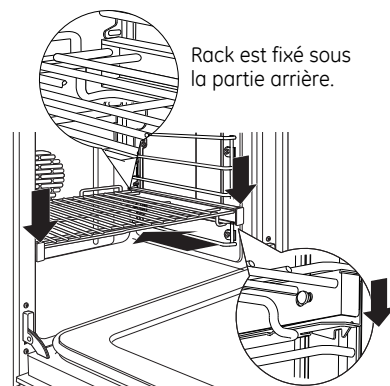
### Grilles du four

a. Insérez le mécanisme arrière de blocage de la grille au-dessus et sur les supports de grille (cinq positions de grilles sont offertes y compris la position supérieure).



b. Faites glisser la grille jusqu'à ce que le mécanisme arrière de blocage de la grille soit solidement fixé sur les supports arrière de la grille puis enfoncez le mécanisme de blocage avant de la grille sur les supports avant de la grille.

## C3 Installation des supports de grille et des grilles du four (cont.)



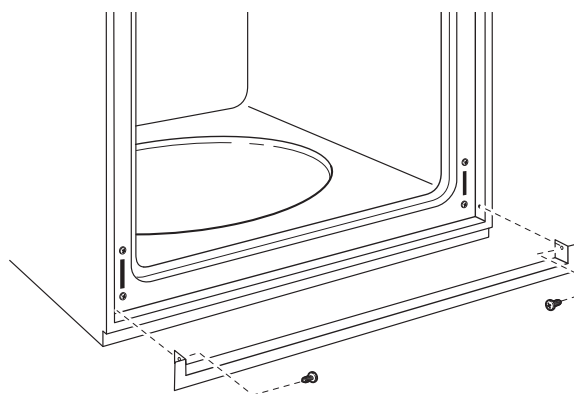
Rack est fixé sous la partie arrière.

Glissez la grille complètement vers l'intérieur et poussez vers le bas de manière à enclencher les mécanismes de verrouillage avant sur les supports avant de la grille.

c. Glissez complètement la grille et assurez-vous que cette dernière est verrouillée.

## C4 Installation de la garniture inférieure métallique

- Placez la garniture inférieure entre la garniture latérale et le fond de l'ouverture.
- À l'aide des deux vis de garniture fournies, fixez la garniture inférieure dans les trous de la garniture.



**IMPORTANT :** Veuillez d'abord retirer la garniture pour éviter de l'endommager dans l'éventualité d'un retrait de l'appareil de l'armoire ou si le four est retiré pour une réparation.

# Directives d'installation

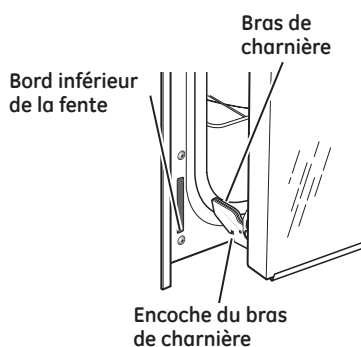
## D Remise en place de la porte du four

**NOTE :** La porte du four est lourde. Il se peut que vous ayez besoin d'aide pour la soulever assez haut pour la glisser dans ses charnières. Ne soulevez pas la porte par la poignée.

- D1** Pour soulever la porte du four, saisissez-la de chaque côté. La porte est lourde de sorte que vous pourriez avoir besoin d'aide. Ne soulevez pas la porte par la poignée.

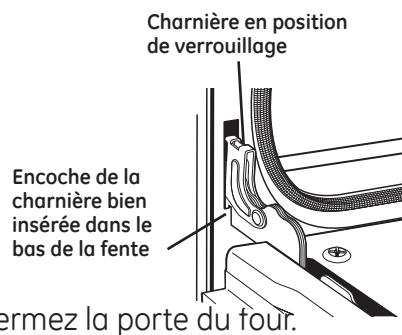


- D2** En maintenant la porte à la position d'enlèvement, qui correspond à peu près à la position fermée, placez l'encoche du bras de charnière dans le bord inférieur de la fente de la charnière. L'encoche doit être bien insérée dans le bas de la fente.



- D3** Ouvrez la porte du four jusqu'à son angle maximum.

- D4** Placez les verrous de la charnière en position de verrouillage en poussant vers le haut contre le panneau frontal du four.



Fermez la porte du four.

- D5**

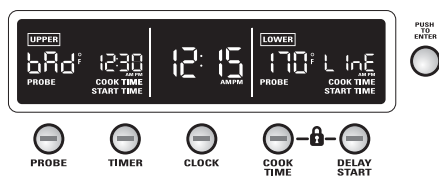
# Directives d'installation

## ✓ Liste de vérification avant l'essai

- ✓ S'il y a lieu, enlevez la pellicule protectrice et les étiquettes collées sur le four.
- ✓ Vérifiez que tout le câblage est bien fixé et qu'il n'est pas coincé ou en contact avec des pièces en mouvement.
- ✓ **REMARQUE À L'INTENTION DE L'ÉLECTRICIEN :** Vous devez débrancher le fil vert (près de l'endroit où le long conduit flexible sort de l'appareil) lors d'essais sous tension élevée. Veuillez rebrancher le fil avant de mettre le four en marche.
- ✓ Vérifiez que la garniture inférieure est bien montée (voir la page 12).
- ✓ Vérifiez que les vis de montage sont bien en place et ne dépassent pas la surface de la garniture latérale (voir la page 11).

## ✓ Liste de vérification pour l'essai

- ✓ Enlevez tous les articles à l'intérieur du four.
- ✓ Vérifiez que le conduit est bien connecté à la boîte de jonction.
- ✓ Mettez le four en marche (consultez votre Manuel d'utilisation). Vérifiez que toutes les opérations de cuisson fonctionnent adéquatement, y compris les modes Cuisson (Bake) et Gril (Broil).
- ✓ Vérifiez que le disjoncteur n'est pas déclenché ou le fusible de la maison grillé.
- ✓ Consultez le guide de dépannage de votre Manuel d'utilisation.
- ✓ Si les mots « bAd » « LInE » apparaissent à l'écran lors de la mise sous tension, les connexions au câblage de la résidence sont incorrectes.
- ✓ **NOTE À L'USAGE DE L'ÉLECTRICIEN :** Les fils électriques de sortie fournis avec cet appareil sont approuvés CSA pour un branchement à du câblage résidentiel de calibre supérieur. Les températures nominales de l'isolant de ces fils sont beaucoup plus élevées que celles du câblage résidentiel. La capacité de transport du courant supportée par un conducteur est déterminée par le calibre du fil et la température nominale de l'isolant autour du fil.  
**NOTE : CÂBLAGE D'ALUMINIUM**
  - A. **AVERTISSEMENT :** LE RACCORDEMENT INAPPROPRIÉ D'UN CÂBLAGE RÉSIDENTIEL EN ALUMINIUM À DES FILS DE SORTIE EN CUIVRE PEUT ENTRAÎNER UN RISQUE ÉLECTRIQUE OU D'INCENDIE.
  - B. Raccordez les fils de cuivre au câblage d'aluminium à l'aide de connecteurs spéciaux approuvés CSA, conçus pour raccorder du cuivre à l'aluminium, et suivez minutieusement la procédure recommandée par le fabricant.



**NOTE :** Le fil utilisé, l'emplacement et l'isolation des épissures, etc., doivent se conformer aux règles de l'art et au code de l'électricité en vigueur localement.

# Instrucciones de instalación

## Horno de pared empotrado 30" (76,2 cm)

ZET1, ZET2

¿Preguntas? Visite nuestro sitio en la Web: [ge.com](http://ge.com)

### Antes de empezar

Lea estas instrucciones cuidadosa y completamente.

- **IMPORTANTE**—Guarde estas instrucciones y téngalas disponibles para el inspector local.
- **IMPORTANTE**—Observe todos los códigos y ordenanzas vigentes.
- Nota al instalador—Cerciórese de dejar estas instrucciones con el propietario.
- Nota al consumidor—Guarde estas instrucciones para usarlas como referencia en el futuro.

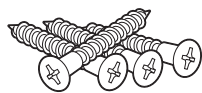
- La instalación apropiada es responsabilidad del instalador y la falla del producto por una instalación incorrecta NO está cubierta por la garantía.

- **NOTA**—Este aparato debe estar conectado a tierra adecuadamente.

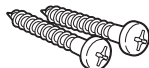
### ¡ATENCIÓN AL INSTALADOR!

Todos los hornos electrónicos de pared deben ser cableados directamente en una caja de conexión aprobada. Un "enchufe-receptáculo" NO ES permitido en estos productos.

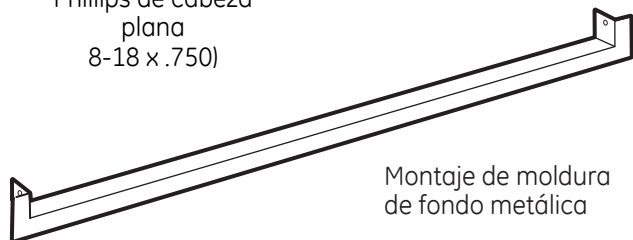
### Partes incluidas (la apariencia puede variar)



Tornillos para madera de 3/4" (tornillos para madera tipo Phillips de cabeza plana 8-18 x .750)

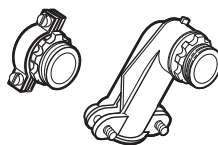


Tornillos para madera de 5/8" (Tornillo Phillips con cabeza segmental para madera 8A8 x 0.625)

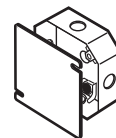


Montaje de moldura de fondo metálica

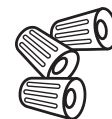
### Materiales necesarios



Abrazadera de alivio de presión para conducto de 1/2"



Caja de conexión

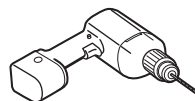


Tuercas para alambres



Cordón de 36" (91 cm)

### Herramientas necesarios



Una broca de 1/8" (3 mm) para taladro eléctrico o manual



Destornillador de estrella



Llave ajustable

# Instrucciones de instalación

## INSTRUCCIONES DE SEGURIDAD IMPORTANTES

### Para su seguridad

- Cerciérese de que su horno sea instalado adecuadamente por un instalador calificado o por un técnico de servicio.
- Cerciérese de que los gabinetes y los revestimientos de la pared alrededor del horno puedan soportar las temperaturas (hasta 200°F [93,3°C]) generadas por el horno.
- Cerciérese de que su horno esté firmemente instalado en un gabinete que esté firmemente adherido a la estructura de la casa. El peso sobre la puerta del horno podría causar que el horno se voltee resultando en lesiones. Nunca permita que nadie se suba, se siente, se pare o se cuelgue de la puerta del horno.



### ADVERTENCIA:

La energía eléctrica hacia la línea de suministro del horno debe ser desconectada mientras se hacen las conexiones. No hacer esto podría resultar en lesiones graves e incluso provocar la muerte.

### Requisitos eléctricos

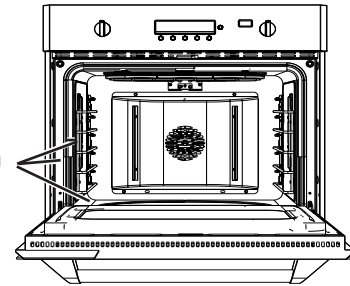
Este aparato debe abastecerse con la frecuencia y el voltaje adecuados, y conectarse a un circuito eléctrico individual con conexión a tierra con protección de un fusible o interruptor automático. Consulte la placa de potencia ubicada en el marco del horno para determinar la potencia del producto. Utilice el cuadro a continuación para determinar la protección mínima recomendada para el circuito eléctrico especializado.

Potencia KW 240V	Potencia KW 208V	Recomendable Tamaño del circuito (Especializado)
≤4,8 KW	≤4,1 KW	20 Amp
4,9 KW-7,2 KW	4,3 KW-6,2 KW	30 Amp
7,3 KW-9,6 KW	6,3 KW-8,3 KW	40 Amp
9,7 KW-12,0 KW	8,4 KW-10,4 KW	50 Amp

### Requisitos eléctricos (cont.)

La placa de potencia se encuentra en la moldura lateral del horno, el marco lateral frontal del horno o el marco frontal inferior del horno.

Ubicación  
de la placa  
de potencia



Recomendamos que el cableado y la conexión eléctrica de su horno los realice un electricista calificado. Después de la instalación, pída al electricista que le muestre la ubicación del interruptor principal del horno.

Consulte con su compañía de servicios local para obtener los códigos eléctricos que sean aplicables en su área. No hacer el cableado de su horno de manera apropiada, respetando los códigos vigentes, podría resultar en condiciones peligrosas. Si no existen códigos locales, su aparato debe usar un cableado y fusibles que cumplan con los requisitos, del Código Eléctrico Nacional, ANSI/NFPA No. 70-Última edición. Usted puede obtener una copia de este código escribiendo a:

National Fire Protection Association  
Batterymarch Park  
Quincy, MA 02269

A partir del 1ro. de enero de 1996, el Código Eléctrico Nacional requiere que todas las construcciones nuevas, pero no existentes, usen una conexión de 4 conductores hacia cualquier horno eléctrico. Cuando instale un horno eléctrico en una construcción nueva, casa móvil, vehículo de recreación o un área donde los códigos locales prohíban la conexión a tierra a través del conductor neutro, siga las instrucciones en la Sección CONSTRUCCIONES NUEVAS Y CONEXIONES DE CIRCUITOS RAMALES DE 4 CONDUCTORES.

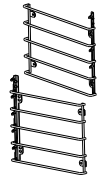
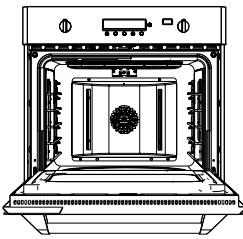
Usted debe usar un sistema eléctrico de tres alambres, monofásico, A.C. 208Y/120 voltios o 240/120 voltios, 60 Hertz. Si hace una conexión a alambres de aluminio, debe usar conectores adecuadamente instalados que estén aprobados para ser utilizados con cableados de aluminio.

# Instrucciones de instalación

## ✓ Lista de control antes de la instalación

¡TODA LA INFORMACIÓN PARA LA INSTALACIÓN EN LAS PÁGINAS SIGUIENTES ES PARA SER USADA EN LA INSTALACIÓN DE HORNO DE UNA O DOS UNIDADES!

- ✓ Retire los materiales de embalaje. Revise detrás de las bisagras y debajo del fondo falso. Retire las etiquetas de la puerta, el plástico de las molduras y panel, todas las cintas alrededor del horno, y todos de los tornillos de envío que asegure el horno a la almohadilla de la base.



Soportes de las parrillas con tuercas hexagonales



Sonda de temperatura



Parrillas del horno



Lubricante de grafito



Placa de horno y rejilla para parrilla



Paquete de instrucciones

- ✓ Abra la puerta del horno y retire el paquete de material informativo, la placa de horno y la rejilla para parrilla, las parrillas del horno, los soportes de las parrillas y una bolsa con 9 tuercas hexagonales.

- ✓ Extraiga las instrucciones de instalación del paquete y léalas cuidadosamente antes de empezar la instalación.

Cerciórese de guardar bien todas las instrucciones, manual del propietario, Instalación, etc. para referencia en el futuro.

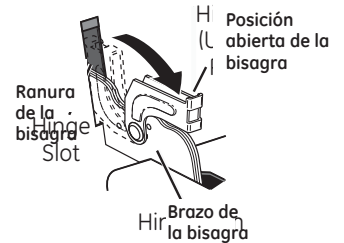


## Para retirar la puerta (si necesario)

No es necesario retirar la puerta para la instalación del producto, pero hacerlo facilita la instalación. Para retirar la puerta:

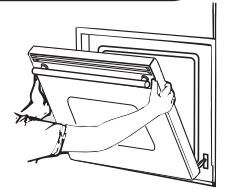
- ✓ Abra la puerta del horno hasta el máximo.

- ✓ Empuje los topes de las bisagras hacia abajo, hacia el marco de la puerta hasta la posición abierta. Esto podría requerir el uso de un destornillador plano.



¡NO LEVANTE LA PUERTA POR LA EMPUÑADURA!

- ✓ Coloque las manos en ambos lados de la puerta, cierre la puerta del horno hasta la posición de remoción, que está cerrado la mayor parte del tiempo.



Posición de remoción

- ✓ Levante la puerta y hale hacia fuera hasta que los brazos de la bisagra salgan de la ranuras.



Hinge Clears Slot  
Bisagra sale de la ranura

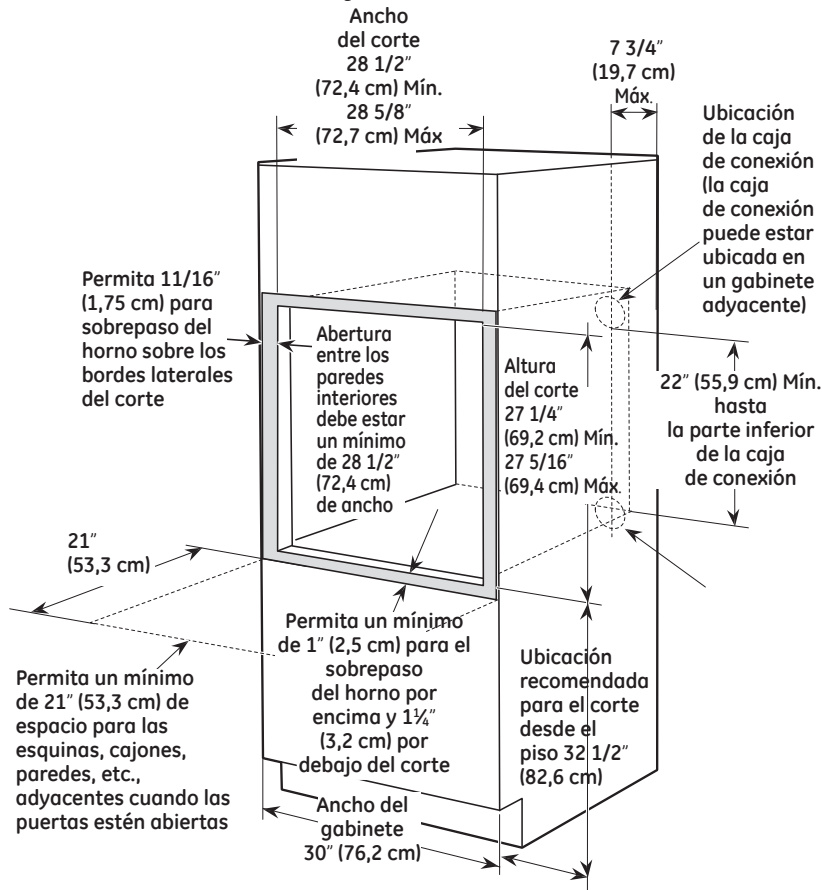
**NOTA:** La puerta del horno es muy pesada. Asegúrese de tenerla bien agarrada antes de levantarla de las bisagras. Tenga cuidado una vez que retire la puerta. No acueste la puerta sobre la empuñadura; esto podría causar marcas y rayas.

- ✓ Coloque el horno sobre la mesa o plataforma al nivel de la abertura del corte. (La plataforma debe soportar 175 libras [79 Kg] para hornos de una unidad y 350 libras [159 Kg] para hornos de dos unidades.)

- ✓ Extraiga la moldura de fondo de la parte superior del horno. La misma será instalada al final de la instalación. La moldura de fondo está envuelta por separado y pegada a la parte superior de la unidad.

# Instrucciones de instalación

## A1 Corte para los hornos de una unidad

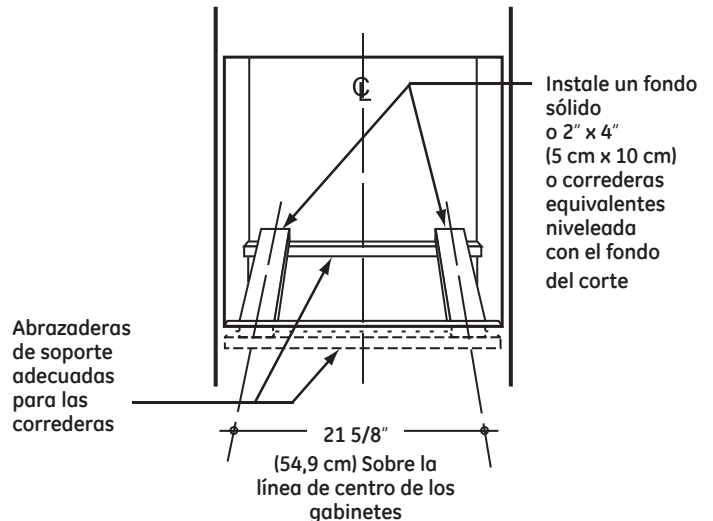


Ancho del gabinete	30" (76,2 cm)
Ubicación recomendada para el corte desde el piso	32 1/2" (82,6 cm)
Profundidad del corte	23 1/2" (59,7 cm) Mín.
Ancho del corte	28 1/2" (72,4 cm) Mín. 28 5/8" (72,7 cm) Máx.
Altura del corte	27 1/4" (69,2 cm) Mín. 27 5/16" (69,2 cm) Máx.

**NOTA:** Si el gabinete no tiene un marco frontal y los lados son menores de 3/4" (1,9 cm) en grosor, coloque ambos lados en línea para establecer el ancho del corte.

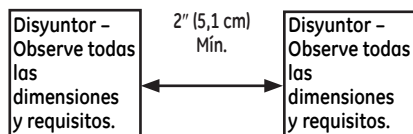
Si el gabinete no tiene un fondo sólido, entonces se deben instalar dos abrazaderas o correderas nivelada con el fondo del corte para sostener el peso del horno. Para hornos de una unidad las correderas o abrazaderas deben soportar 200 libras (90 Kg).

**NOTA:** Si las marcas, imperfecciones o la abertura del corte son visibles por encima del horno instalado, quizás sea necesario agregar relleno debajo de las correderas y moldura delantera hasta que se cubran.



### Instalaciones de lado a lado

Instale los hornos de dos paredes en disyuntores separados. Deje 2" (5,1 cm) mín. entre disyuntores.



El fondo sólido o las correderas deben estar nivelados con el fondo del corte; de lo contrario, el borde del fondo no se podrá instalar correctamente y podrá interferir en la apertura de la puerta.

**Estos hornos no están aprobados para las instalaciones apilables.**

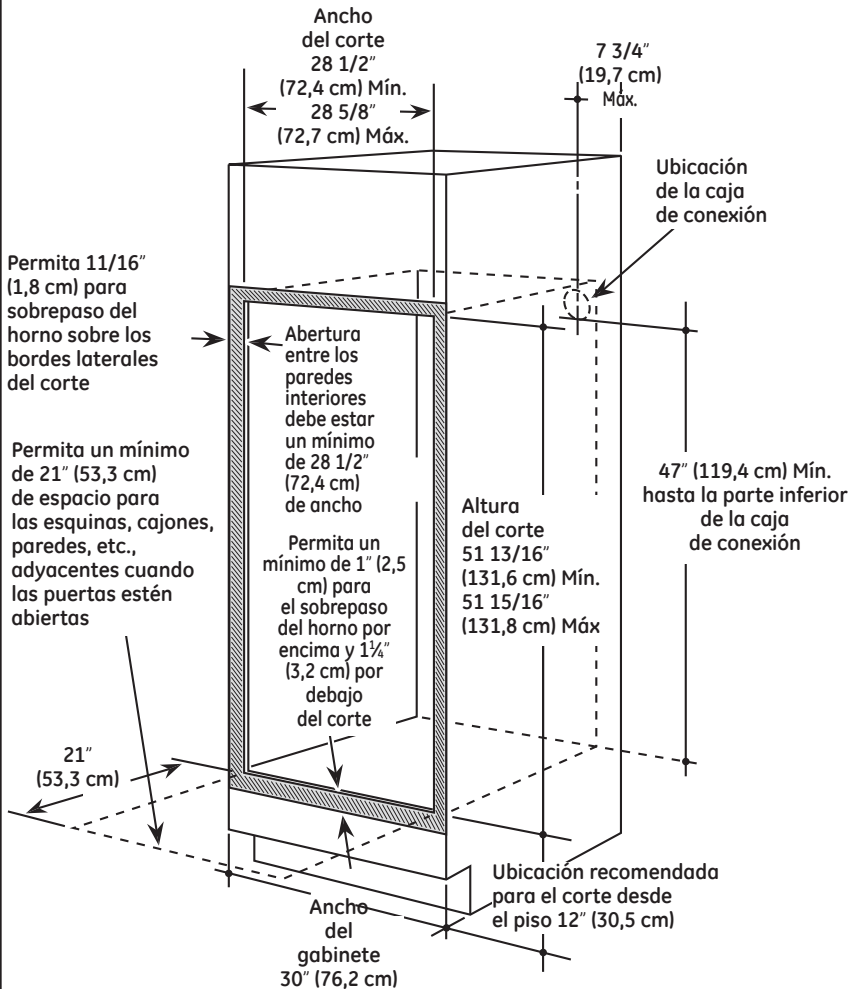


# Instrucciones de instalación

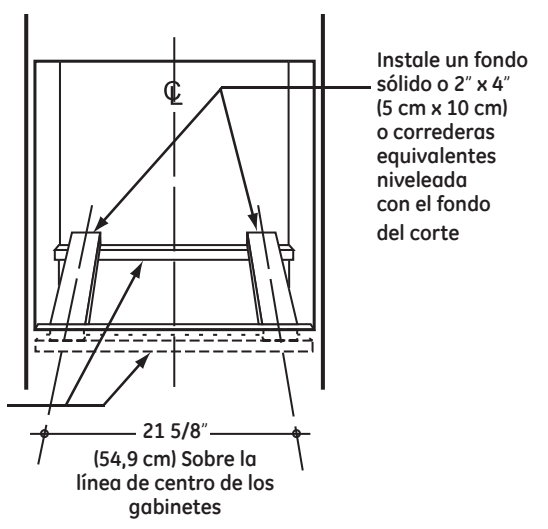
A2

## Corte para los hornos de dos unidades

Ancho del gabinete	30" (76,2 cm)
Ubicación recomendada para el corte desde el piso	12" (30,5 cm)
Profundidad del corte	23 1/2" (59,7 cm) Mín.
Ancho del corte	28 1/2" (72,4 cm) Mín. 28 5/8" (72,7 cm) Máx.
Altura del corte	51 13/16" (131,6 cm) Mín. 51 15/16" (131,8 cm) Máx.



**NOTA:** Si el gabinete no tiene un marco frontal y los lados son menores de 3/4" (1,9 cm) en grosor, coloque ambos lados en línea para establecer el ancho del corte.



Si el gabinete no tiene un fondo sólido, entonces se deben instalar dos abrazaderas o correderas nivelada con el fondo del corte para sostener el peso del horno. Para hornos de dos unidades, las correderas y abrazaderas deben soportar 375 libras (169 Kg).

**NOTA:** Si las marcas, imperfecciones o la abertura del corte son visibles por encima del horno instalado, quizás sea necesario agregar relleno debajo de las correderas y moldura delantera hasta que se cubran.

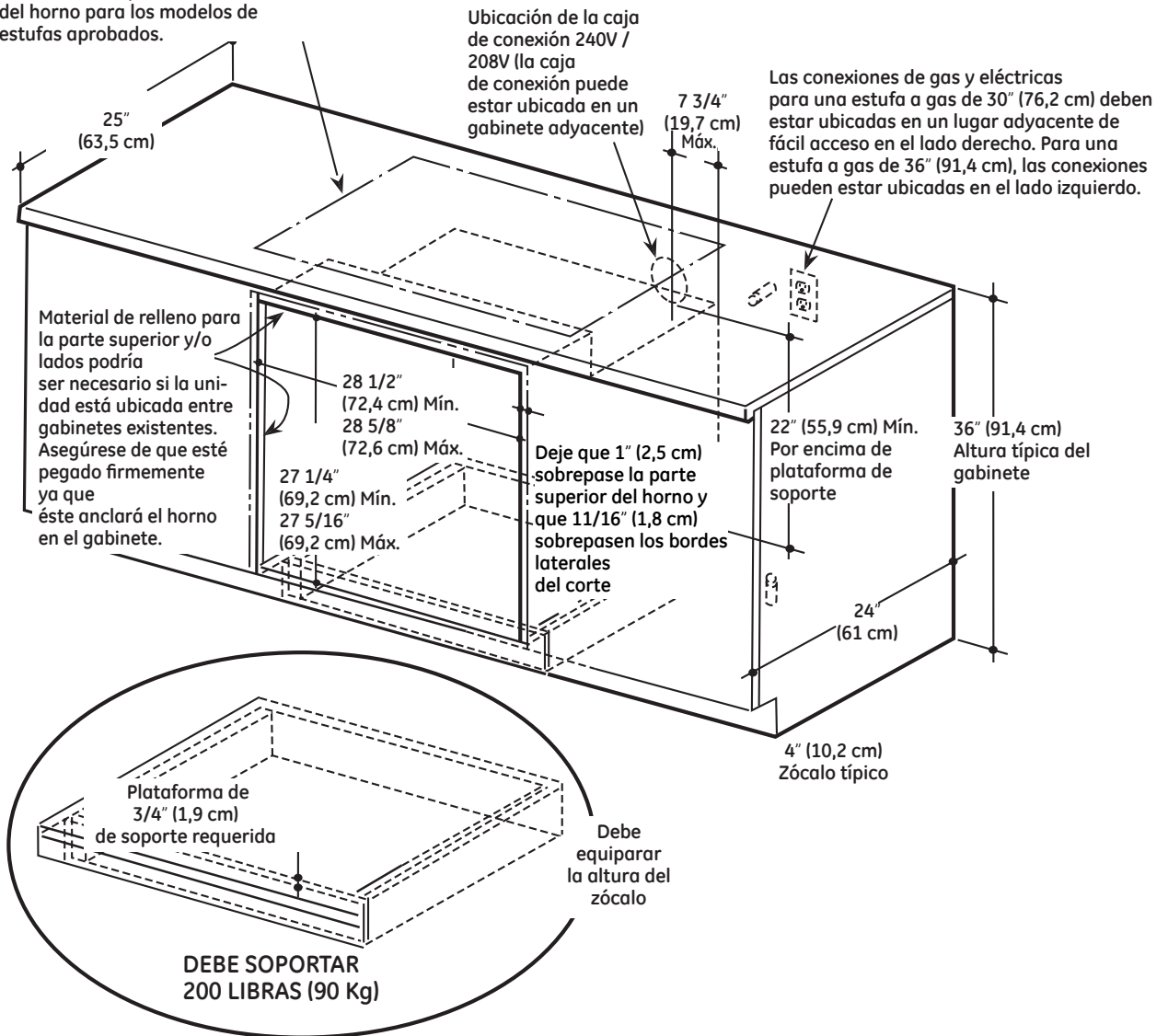
El fondo sólido o las correderas deben estar nivelados con el fondo del corte; de lo contrario, el borde del fondo no se podrá instalar correctamente y podrá interferir en la apertura de la puerta.

# Instrucciones de instalación

A3

## Corte para los hornos de una unidad- debajo de la superficie del gabinete

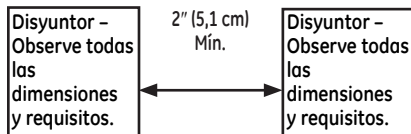
Las estufas eléctricas o de gas se pueden instalar sobre este horno. Consulte las instrucciones de la estufa para el tamaño del corte. Consulte la etiqueta encima del horno para los modelos de estufas aprobados.



### Instalaciones de lado a lado

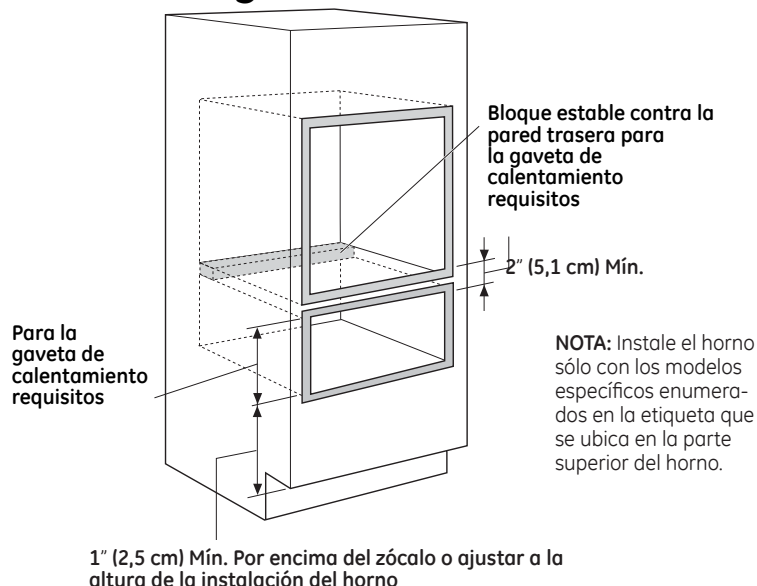
Instale los hornos de dos paredes en disyuntores separados. Deje 2" (5,1 cm) mín. entre disyuntores.

**NOTA:** Este horno está aprobado sólo para instalarse bajo los modelos específicos indicados en esta unidad.



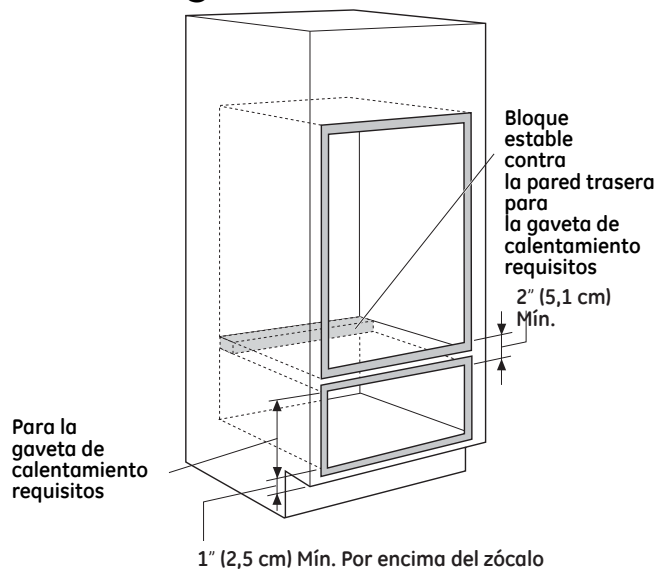
# Gabinetes

## A4 Corte para los hornos simples, para instalar sobre un cajón calentador Monogram



NOTA: Puede necesitarse una separación adicional entre los disyuntores. Verifique para asegurarse de que los apoyos del horno por encima de la ubicación de la gaveta de calentamiento no dificulten la profundidad y altura interior requerida.

## A5 Corte para los hornos dobles, para instalar sobre un cajón calentador Monogram



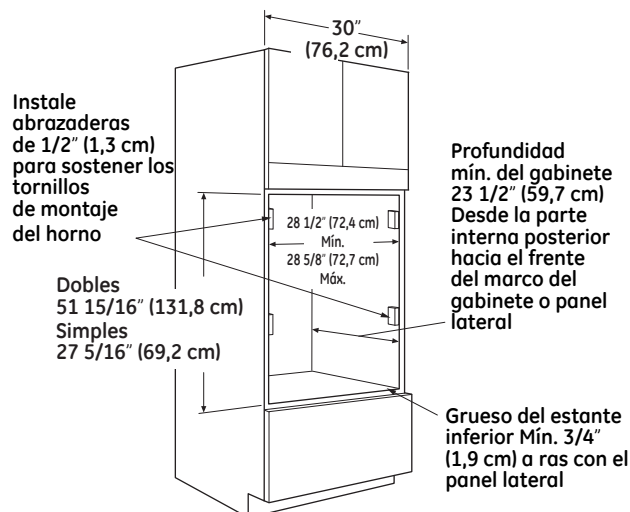
- Para la instalación de una gaveta de calentamiento Monogram por debajo de un horno individual o doble, debe instalarse un receptáculo con conexión a tierra, separado de 120V, 60Hz. Consulte las instrucciones para la instalación remitidas con la gaveta de calentamiento para obtener los requisitos específicos de instalación.

## A6 Corte para gabinetes sin marco

### Gabinetes sin marco

Siempre que sea posible, solicite un gabinete sin marco de 30" (76,2 cm) con el corte del lado que corresponde para que se adapte al horno. Si usa gabinetes prefabricados, es posible que sea necesario usar material de relleno para cubrir la abertura.

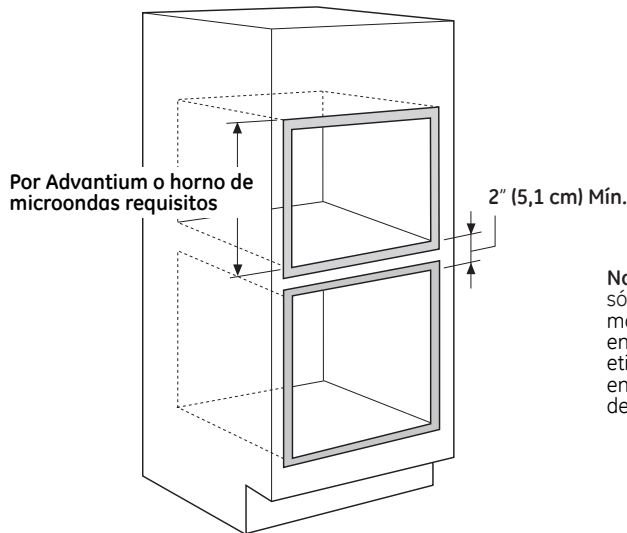
- Un corte de gabinete prefabricado sin marco puede tener un ancho de hasta 28 3/4" (73 cm). Si fuera necesario, agregue abrazaderas de 1/2" (1,3 cm) a los lados, a ras con el borde frontal de los paneles laterales para colocar tornillos de montaje.



# Gabinetes

A7

**Corte para los hornos simples, para instalar debajo de un horno Monogram Advantium o un horno de microondas**



**NOTA:** El carril del medio que separa las dos aberturas pueden necesitar ser más grande que el de 2" (5,1 cm) de mínimo que se muestra. Siempre consulte las instrucciones para la instalación que se remiten con cada producto para obtener los requisitos específicos.

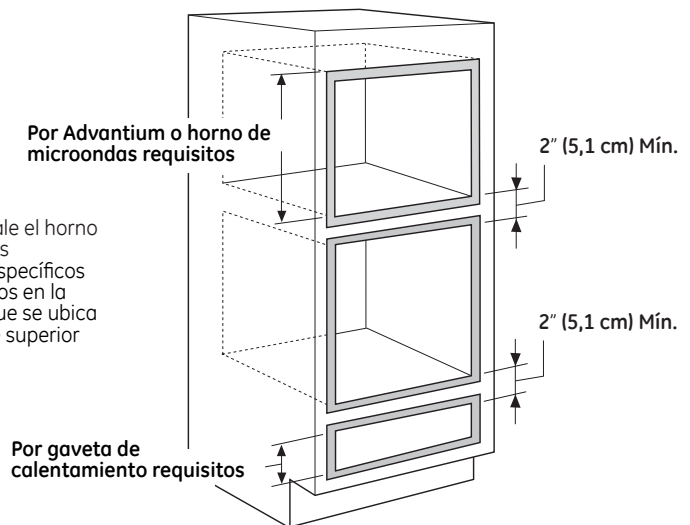
## Instalación para el horno combinado Advantium o horno de microondas y de pared:

Para la instalación en combinación con un horno individual de pared Monogram, utilice una caja de conexiones eléctricas separada.

- Consulte las instrucciones de instalación del horno Advantium o del horno de microondas para obtener los requisitos de ese producto.
- Un electricista autorizado debe realizar estas conexiones. Todas las conexiones eléctricas debe cumplir con las normas del Código Eléctrico Nacional o los códigos locales vigentes.

A8

**Corte para los hornos simples, para instalar entre un horno Monogram Advantium o un horno de microondas y un cajón calentador Monogram**



**Nota:** Instale el horno sólo con los modelos específicos enumerados en la etiqueta que se ubica en la parte superior del horno.

**NOTA:** Puede necesitarse una separación adicional entre los disyuntores. Verifique para asegurarse de que los apoyos del horno por encima de la ubicación de la gaveta de calentamiento no dificulten la profundidad y altura interior requerida. El carril del medio que separa las dos aberturas pueden necesitar ser más grande que el de 2" (5,1 cm) de mínimo que se muestra. Siempre consulte las instrucciones para la instalación que se remiten con cada producto para obtener los requisitos específicos.

## Gaveta de calentamiento combinada con Advantium o horno de microondas y horno individual:

Instale un receptáculo separado de 120V, 60Hz, adecuadamente con conexión a tierra. Consulte las instrucciones de instalación remitidas con cada producto para obtener los requisitos específicos.

# Instrucciones de instalación

## B Conexiones eléctricas

### ATENCIÓN AL INSTALADOR:

Todos los hornos eléctricos de pared deben ser cableados directamente en una caja de conexión. Una "enchufe-receptáculo" NO ES permitido en estos productos.

NO acorte el conducto flexible. La abrazadera para controlar la presión debe estar firmemente adherida a la caja de conexión y el conductor flexible debe estar firmemente adherido a la abrazadera. Si el conducto flexible no se ajusta al interior de la abrazadera, no instale el horno hasta que obtenga el tamaño apropiado.

**NOTA AL ELECTRICISTA:** Los 3 alambres eléctricos proporcionados con este aparato son reconocidos por la UL para conexiones a cableado residencial de mayor calibre. El aislante de estos 3 alambres supera las especificaciones de temperatura indicadas para cableado residencial. La capacidad actual de conducción del cable depende del calibre del cableado y de la clasificación de la temperatura del aislamiento alrededor del alambre.

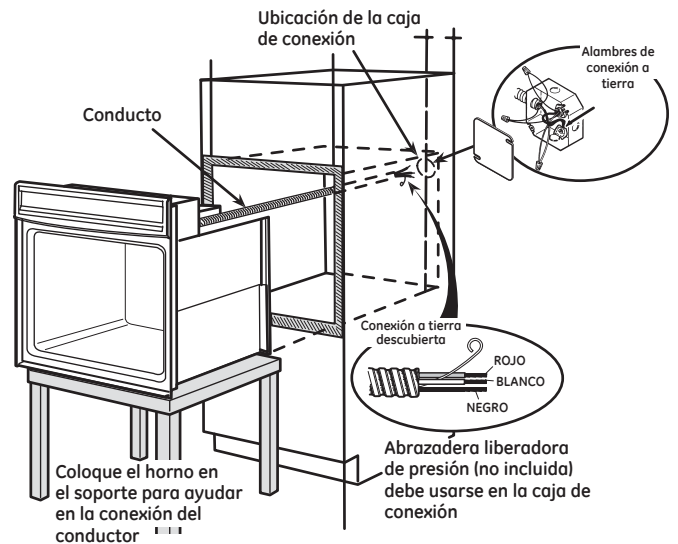


### ADVERTENCIA:

Una conexión inapropiada del cableado de aluminio residencial con cobre, podría resultar en un peligro eléctrico o hasta en incendio. Use solamente conectores diseñados para unir cobre con aluminio y siga las recomendaciones del fabricante con mucho cuidado.

**B1** Desconecte el interruptor del circuito o retire los fusibles que alimentan el circuito ramal del horno.

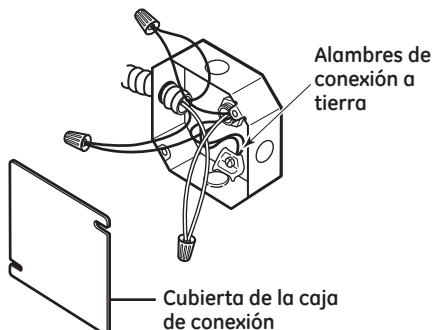
**B2** Con el horno enfrente de la abertura del gabinete, sobre una mesa o plataforma, conecte el conducto flexible a la caja de conexión como se muestra en la figura. Coloque el conducto de manera que quede apoyado sobre la parte superior del horno en forma de bucle natural cuando se instale el horno. Usted necesitará comprar una abrazadera liberadora de presión para completar la conexión del conducto hacia la caja de conexión.



# Instrucciones de instalación

## B3 Conexión para nueva construcción y de circuito ramal de cuatro conductores

- Cuando se instale en una construcción nueva, o
  - Cuando se instale en una casa móvil, o
  - Al instalar en un vehículo de recreación, o
  - Cuando los códigos locales no permitan hacer conexión a tierra a través de un cable neutro:
- a. Corte la punta del alambre neutro (blanco) del empalme. Pele la punta del alambre neutro (blanco) hasta exponer la extensión apropiado del conductor.

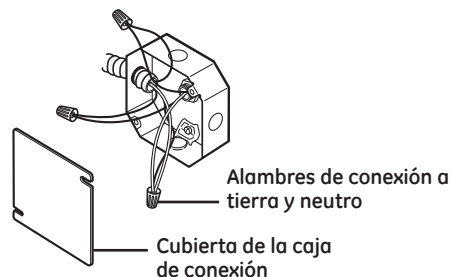


- b. Conecte el alambre de conexión a tierra (verde o cobre descubierto) de acuerdo a los códigos locales. Si el conductor de conexión a tierra de la residencia es de aluminio, consulte la ADVERTENCIA en la página 9.
- c. Conecte el alambre neutro del horno (blanco) al circuito ramal neutro (blanco o gris) de acuerdo con los códigos locales, usando una tuerca para alambres.
- d. Conecte el alambre rojo del horno al alambre rojo del circuito y el alambre negro del horno al alambre negro del circuito de acuerdo con los códigos locales, usando las tuercas para alambres. Si los alambres rojos, negros o blancos de la residencia son conductores de aluminio, consulte la ADVERTENCIA en la página 9.
- e. Instale la cubierta de la caja de conexión.

## B4 Conexión de circuito ramal de tres conductores

Cuando conecte un circuito ramal de 3 conductores, si los códigos locales lo permiten:

- a. Conecte el alambre descubierto del horno con el alambre neutro (blanco) del circuito ramal (blanco o gris), usando una tuerca para alambres.



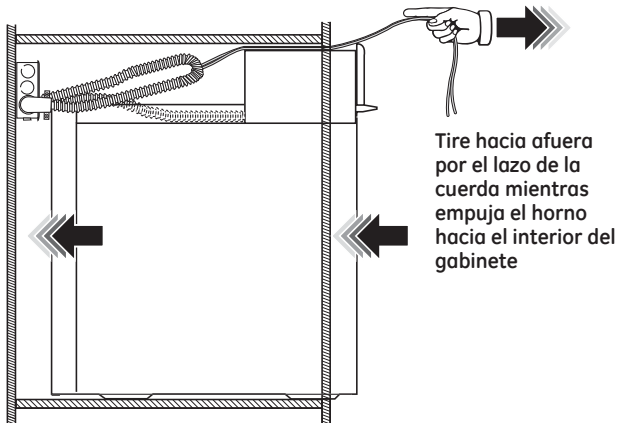
- b. Conecte el alambre rojo del horno al alambre rojo del circuito ramal, usando una tuerca para alambres.
- c. Conecte el alambre negro del horno al alambre negro del circuito ramal de acuerdo a los códigos locales, usando una tuerca para alambre. Si los alambres rojos, negros o blancos de la residencia son conductores de aluminio, consulte la ADVERTENCIA en la página 9.
- d. Instale la cubierta de la caja de conexión.

# Instrucciones de instalación

## C Posición firme del horno en la abertura

### C1 Cómo deslizar el horno en el interior de la abertura

- a. Coloque (**sin atar**) una cuerda de 36" (91 cm) alrededor del conductor antes de deslizar el horno en su lugar. Esto evitará que el conducto se caiga detrás del horno.

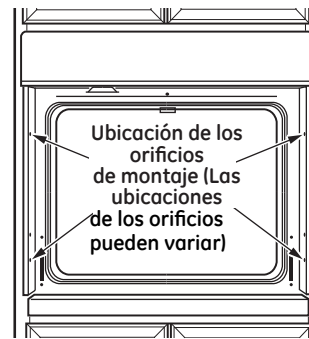


- b. Levante el horno hacia el interior del corte en el gabinete usando la abertura del horno para agarrarlo. Empuje contra el marco frontal del horno cuidadosamente. No empuje contra los bordes externos.
- c. A medida que el horno se desliza hacia atrás, tire de la cuerda para que el conducto quede encima del horno de forma natural.
- d. Cuando esté seguro de que el conducto está fuera del camino, deslice el horno 3/4 del trayecto hacia atrás y hacia el interior de la abertura. Retire la cuerda halando de un extremo.

### C2 Cómo taladrar los orificios piloto y montar el horno

**NOTA:** Antes de perforar los orificios piloto, cerciórese de que el horno se empujó hasta el fondo y de que esté centrado.

- a. Perfore a través de los orificios de montaje (arriba y abajo) de la moldura lateral, para los tornillos #8 que se proporcionan.



Los tornillos deben estar a un mínimo de 1/4" (6 mm) del frente del corte.

**ADVERTENCIA:**  
Se deben usar tornillos de montaje. No hacerlo podría resultar en que el horno se caiga del gabinete, causando lesiones serias.

- b. Ajuste bien el horno al gabinete con los tornillos que se proporcionan.

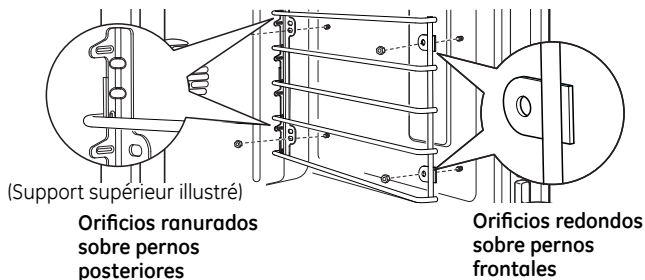
**NOTA:** Si el gabinete es en tabla aglomerada, debe usar tornillos #8 x 3/4" (1,9 cm). Los puede adquirir en cualquier ferretería.

# Instrucciones de instalación

## C3 Instalación de los soportes de las parrillas y de las parrillas del horno

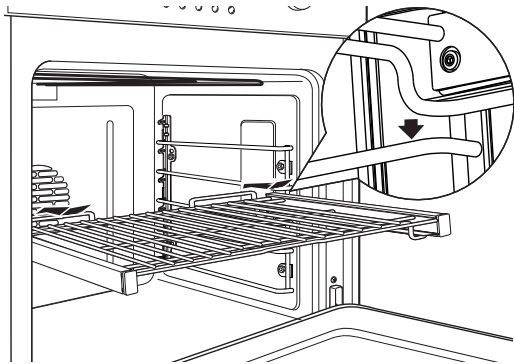
### Soportes de las parrillas del horno

Coloque el soporte de la parrilla con los orificios ranurados sobre los pernos posteriores y los orificios redondos sobre los pernos frontales. Con una llave ajustable, sujete suavemente con cuatro tuercas, sin ajustar en exceso, ya que eso podría saltar el esmalte. Repita el procedimiento para colocar el segundo soporte de la parrilla.



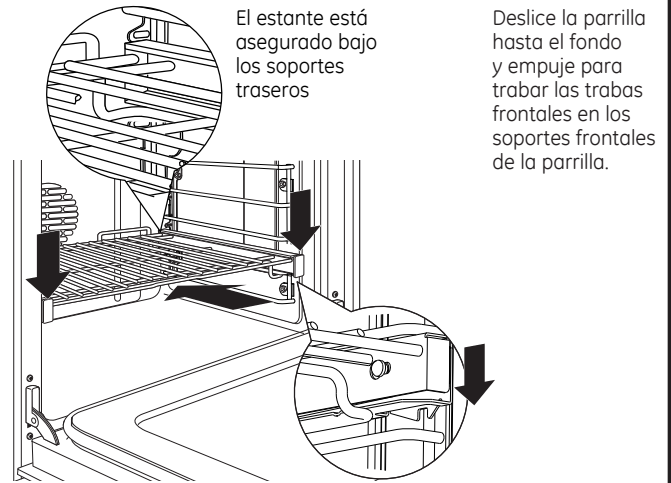
### Parrillas de horno

a. Coloque las trabas de la parrilla posterior por encima y sobre los soportes de las parrillas (la parrilla tiene cinco posiciones, incluida la posición superior).



b. Deslice la parrilla hasta el fondo hasta que las trabas posteriores de la parrilla estén bien enganchadas en los soportes posteriores de la parrilla, y empuje las trabas frontales de la parrilla contra los soportes frontales de la parrilla.

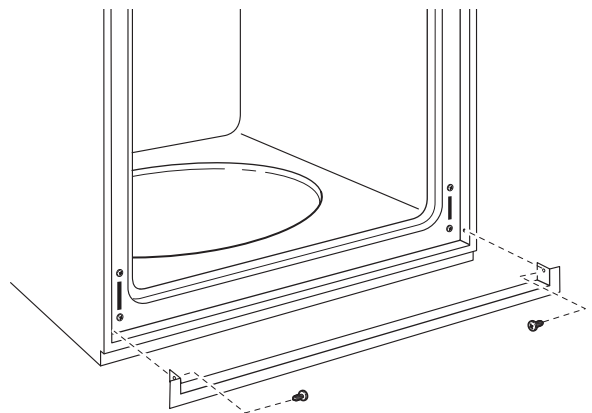
## C3 Instalación de los soportes de las parrillas y de las parrillas del horno (cont.)



c. Glissez complètement la grille et assurez-vous que cette dernière est verrouillée.

## C4 Instalación de la moldura del fondo de metal

- Coloque la moldura del fondo entre la moldura lateral y contra el fondo del corte.
- Con los dos tornillos para moldura proporcionados, sujete la moldura del fondo a través de los orificios en la moldura.



**IMPORTANTE:** Si alguna vez esta unidad se retira del gabinete o para reparación, primero se debe retirar la moldura o de lo contrario se podría dañar.



# Instrucciones de instalación

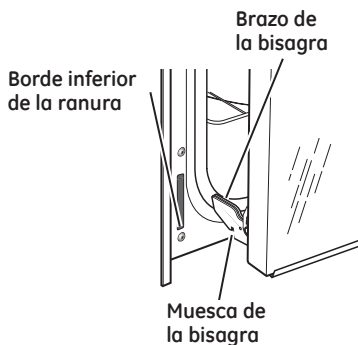
## D Cómo instalar la puerta del horno

**NOTA:** La puerta del horno es pesada. Quizás necesite ayuda para levantar y deslizar la puerta hacia abajo sobre las bisagras. No levante la puerta por la empuñadura.

- D1** Levante la puerta del horno colocando una mano en cada lado. La puerta es pesada y quizás necesite ayuda. No levante la puerta por la empuñadura.

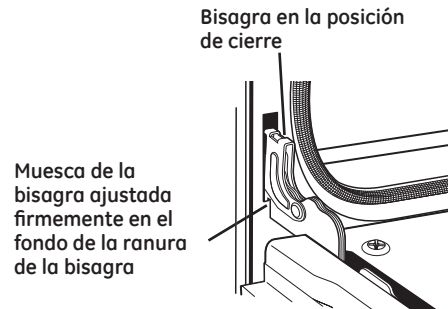


- D2** Con la puerta en el mismo ángulo que la posición para remoción, que está cerrado la mayor parte del tiempo, coloque la muesca del brazo de la bisagra en el interior del borde inferior de la ranura de la bisagra. La muesca del brazo de la bisagra debe apoyarse completamente al fondo de la ranura.



- D3** Abra la puerta del horno hasta el máximo.

- D4** Empuje los topes de las bisagras contra el marco frontal de la cavidad del horno, hasta alcanzar la posición de cierre.



Cierre la puerta del horno.

- D5**

# Instrucciones de instalación

## ✓ Lista de control antes de la prueba

- ✓ Retire cualquier cinta de protección y etiqueta que todavía esté presente.
- ✓ Revise para asegurarse de que todos los alambres estén bien conectados y no aplastados o en contacto con partes móviles.

✓ **NOTA PARA EL ELECTRICISTA: Al realizar pruebas de alto voltaje, debe desenchufar el cable verde (cerca del sitio de salida del conducto largo y flexible de la unidad). Vuelva a enchufar antes de su funcionamiento.**

- ✓ Inspeccione la moldura de fondo para cerciorarse de que está instalada apropiadamente (ver página 12).
- ✓ Inspeccione para cerciorarse de que los tornillos de montaje están instalados y apretados hasta quedar al mismo nivel de la moldura lateral (ver página 11).

## ✓ Lista de control para la operación

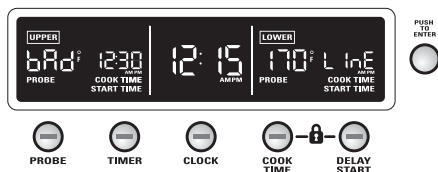
- ✓ Retire cualquier artículo del interior del horno.
- ✓ Cerciórese de que el conducto está conectado firmemente a la caja de conexión eléctrica.
- ✓ Conecte la energía hacia el horno. (Consulte su Manual del propietario.) Verifique que las unidades de horneado y asado, y todas las funciones de cocción operan correctamente.
- ✓ Cerciórese de que el interruptor de circuito no se haya disparado o de que los fusibles de la casa no estén quemados.
- ✓ Consulte el manual del propietario para una lista de problemas eventuales.
- ✓ Si al encender el horno, en la pantalla aparece "bAd" "LInE" ("Conexión incorrecta"), las conexiones del cableado de la casa son incorrectas.

- ✓ **NOTA AL ELECTRICISTA: Los alambres eléctricos proporcionados con este aparato son reconocidos por la UL para conexiones cableado residencial de mayor calibre. El aislante de estos alambres supera las especificaciones indicadas para cableado residencial. La capacidad actual de conducción del cable depende de la clasificación de la temperatura del aislamiento alrededor del alambre.**

**NOTA: CABLEADO DE ALUMINIO**

- A. ADVERTENCIA:**  
UNA CONEXIÓN INAPROPIADA DEL CABLEADO DEL ALUMINIO RESIDENCIAL CON EL COBRE, PODRÍA RESULTAR EN PROBLEMAS SERIOS O EN INCENDIO.
- B.** Conecte los alambres de cobre a los alambres de aluminio usando conectores especiales diseñados y aprobados por UL para unir cobre y aluminio y siga cuidadosamente el procedimiento para hacer las conexiones recomendadas por el fabricante.

**NOTA:** El alambrado que se use, la ubicación y el tipo de conexión, etc., deben cumplir con las buenas prácticas de alambrado y los códigos locales.



# Notas

---

Printed in U.S.A.  
Imprimé aux États-Unis  
Impreso en Estados Unidos