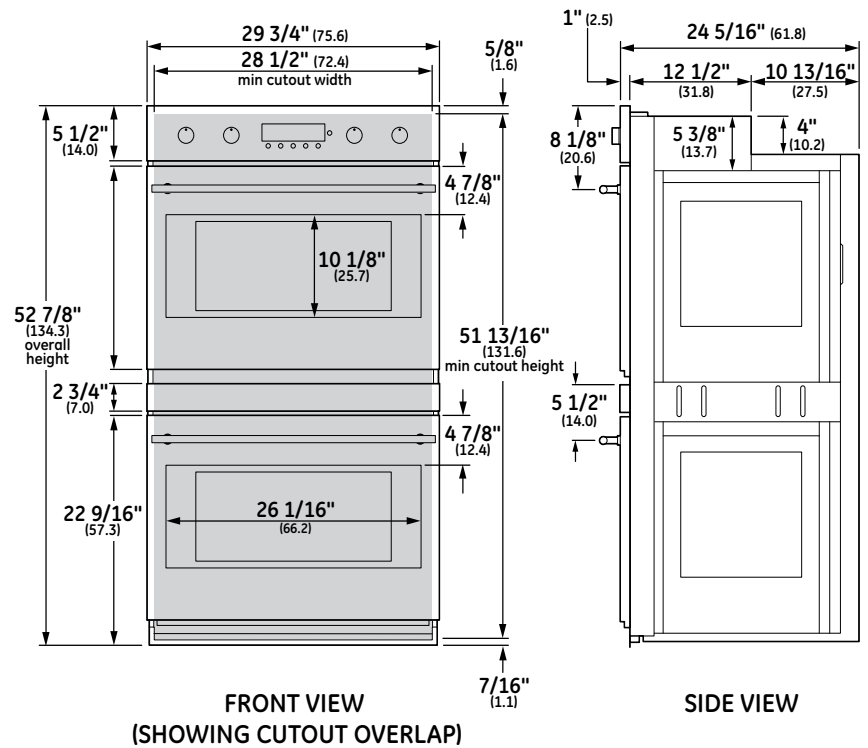




OVERALL DIMENSIONS



SPECIFICATIONS

| | |
|--|---|
| Overall Width | 29 3/4" (75.6) |
| Overall Height | 52 7/8" (134.3) |
| Overall Depth Including Handle | 26 5/16" (66.2) |
| Oven Door Clearance | 21" (53.3) Min |
| Overall Oven Interior Capacity | 4.4 cu. ft. (124.6 l) each oven |
| Oven Interior Dimensions (W x H x D) each oven | 24" x 17 1/2" x 18 1/4" (61.0 cm x 44.5 cm x 46.4 cm) |
| Minimum Cabinet Width* | 30" (76.2) |
| Minimum Cabinet Depth* | 24" (61.0) |
| Minimum Base Support | 375 lbs (170 kg) |
| Cutout Width* | 28 1/2" (72.4) Min 28 5/8" (72.7) Max |
| Cutout Height* | 51 13/16" (131.6) Min 51 15/16" (131.9) Max |
| Cutout Depth* | 23 1/2" (59.7) Min |
| Volts/Hertz/Amperes | 240/208 V AC, 60 Hz, 40A |
| Conduit Length | 48", 72" available special order: WB18T10398 |
| Electrical Rating | 7.8 kW at 208V 8.6 kW at 240V |
| Shipping Weight | 370 lbs (168 kg) |

* Additional space will be needed for flush installation.

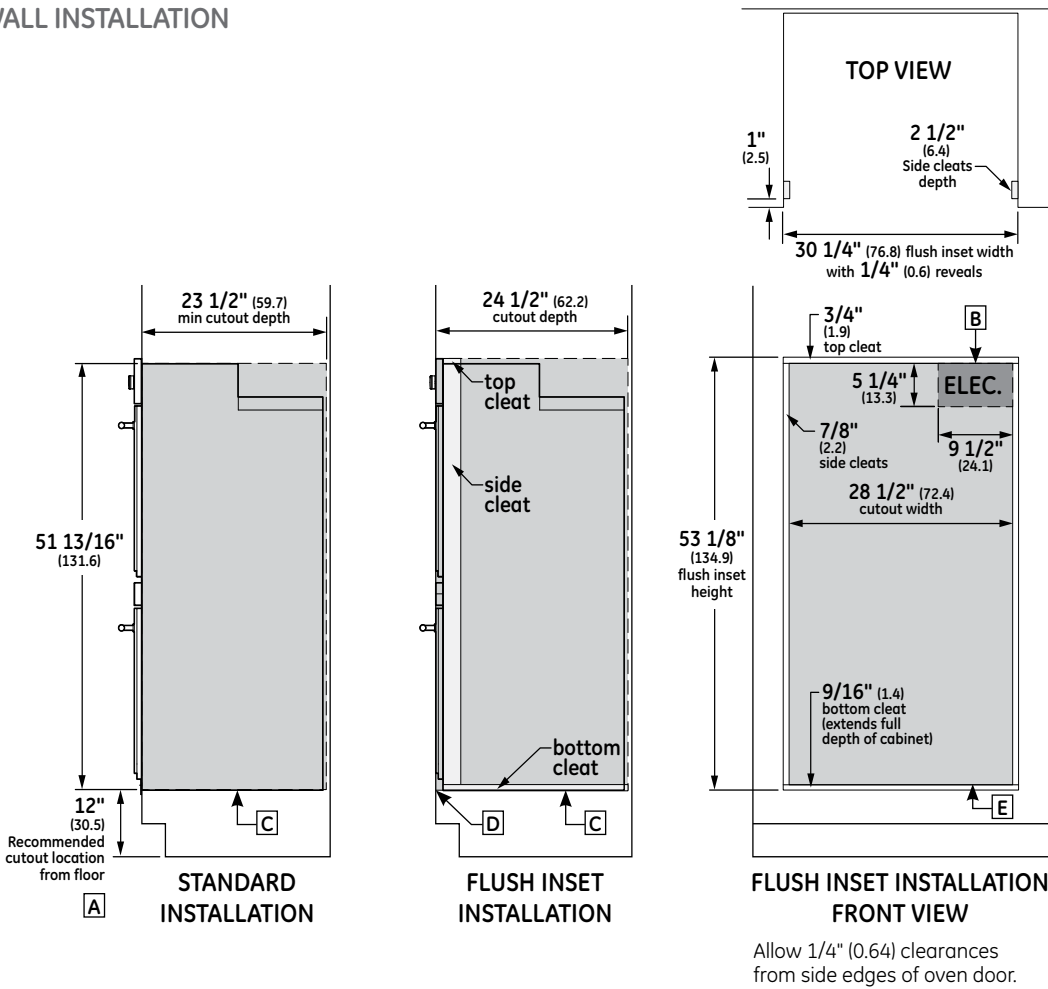
ATTENTION ELECTRICIAN:

A 240/208V, 60Hz, 40 Amp circuit is required. An individual properly grounded branch circuit or circuit breaker is required. Hardware junction box is required for built-in product.

Dimensions in parentheses are in centimeters unless otherwise noted. Actual product dimensions may vary due to manufacturing tolerances.



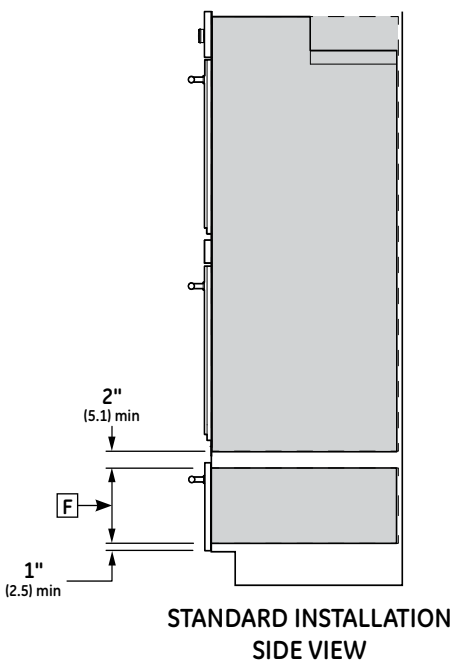
WALL INSTALLATION



NOTES

- [A] Based on a user height of 5' 6" to 5' 10"
- [B] Junction box location (May also be located in adjacent cabinet.)
- [C] Platform must be able to support 375 lbs (169 kg)
- [D] Cabinet surfaces must be an appearance finished surface for flush installation.
- [E] Cleats may be visible and should be finished to match cabinetry.
- [F] Dimension per Warming Drawer requirement

INSTALLATION OVER WARMING DRAWER



For more details, refer to the installation instructions for this product on Monogram.com. Dimensions in parentheses are in centimeters unless otherwise noted.

FEATURES AND BENEFITS

Electronic Controls - As elegant as they are ergonomic

Halogen Light Columns - On the oven walls, provide brilliant task lighting for each rack position

Exclusive Self Cleaning, Full-Extension Oven Racks - Glide in and out smoothly on stainless steel ball bearings, and are designed to be left in the oven during the self-clean cycle

4.4 Cu. Ft. Capacity - Easily accommodates even the largest meals

True Hidden Bake Element - Concealed beneath the oven floor, allowing additional capacity and improved cleanability

Reverse-Air Convection System - Uses an innovative fan that reverses direction for optimal air and heat circulation, providing even cooking and multi-rack baking capability

Six-Element Design - Two bake, two broil and two convection elements provide precise cooking control, with fast preheating

208V Performance Compensation - Utilizes the six-element design to boost power in reduced voltage installations

Signature Tubular Handles - Are smooth, sleek and easy to grasp

Hand-Finished Edges - Reflect the meticulous quality and craftsmanship for which Monogram products are renowned

Two Broil Elements with Reflector Shield - Offer intense, dual-zone broiling



70 to 90% U.S. content. Product content details at GEAppliances.com/USA

