

Installation Instructions

Built-In Wall Oven

27" (68.6 cm) models

JKS10, JKP30, JKP35, JKP55, JKP70, JKP75, PK916, PK956, ZEK938, ZEK958

30" (76.2 cm) models

JTP30, JTP35, JTP55, JTP70, JTP75, PT916, PT920, PT956, PT960, ZET938, ZET958

If you have questions, call 1.800.GE.CARES or visit our website at: ge.com

Before You Begin

Read these instructions carefully and completely.

- **IMPORTANT**—Save these instructions for local inspector's use.
- **IMPORTANT**—Observe all governing codes and ordinances.
- **Note to Installer**—Be sure to leave these instructions with the consumer.
- **Note to Consumer**—Keep these instructions for future reference.

- Proper installation is the responsibility of the installer and product failure due to improper installation is **NOT** covered under warranty.
- **NOTE**—This appliance must be properly grounded.

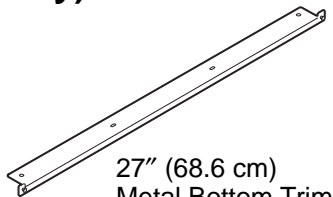
ATTENTION INSTALLER

All electric wall ovens must be hard wired (direct wired) into an approved junction box. A plug and receptacle is **NOT** permitted on these products.

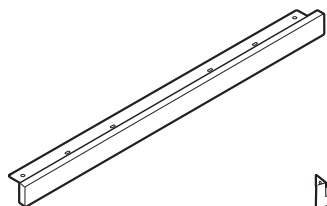
Parts Included (Appearance will vary)



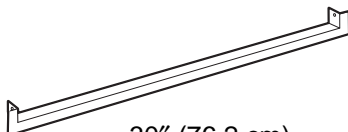
Screws For Installation
(8-18 x .750 flat head
Phillips wood screws)



27" (68.6 cm)
Metal Bottom Trim

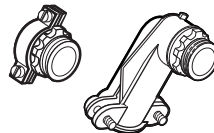


WB07T10578 – Black
WB07T10579 – SS
Optional 27" (68.6 cm)
Metal Bottom Trim Assembly
(on some models or can be
purchased separately)

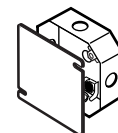


30" (76.2 cm)
Metal Bottom Trim
Assembly

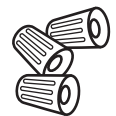
Materials Needed



Strain Relief Clamp
for 1/2" conduit



Junction
Box

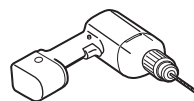


Wire Nuts

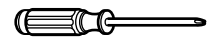


36" (91 cm)
of String

Tools Needed



1/8" (3 mm) Drill Bit and
Electric or Hand Drill



Phillips
Screwdriver

Installation Instructions

IMPORTANT SAFETY INSTRUCTIONS

For Your Safety

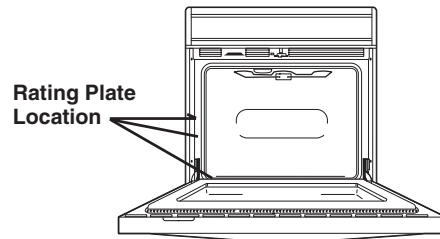
- Be sure your oven is installed properly by a qualified installer or service technician.
- Be sure the oven is securely installed in a cabinet that is firmly attached to the house structure. Weight on the oven door could cause the oven to tip and result in injury. Never allow anyone to climb, sit, stand or hang on the oven door.
- Make sure the cabinets and wall coverings around the oven can withstand the temperatures (up to 200°F [93.3°C]) generated by the oven.



WARNING: The electrical power to the oven supply line must be shut off while line connections are being made. Failure to do so could result in serious injury or death.

Electrical Requirements cont.

Rating plate is located on oven side trim, side front frame or lower front frame.



We recommend you have the electrical wiring and hookup of your oven connected by a qualified electrician. After installation, have the electrician show you where your main oven disconnect is located.

Check with your local utilities for electrical codes which apply in your area. Failure to wire your oven according to governing codes could result in a hazardous condition. If there are no local codes, your oven must be wired and fused to meet the requirements of the National Electrical Code, ANSI/NFPA No. 70–Latest Edition. You can get a copy by writing:

National Fire Protection Association
 Batterymarch Park
 Quincy, MA 02269

Effective January 1, 1996, the National Electrical Code requires that new, but not existing, construction utilize a four-conductor connection to an electric oven. When installing an electric oven in new construction, a mobile home, recreational vehicle or an area where local codes prohibit grounding through the neutral conductor, follow the instructions in the section on NEW CONSTRUCTION AND FOUR-CONDUCTOR BRANCH CIRCUIT CONNECTION.

You must use a three-wire, single-phase A.C. 208Y/120 Volt or 240/120 Volt, 60 hertz electrical system. If you connect to aluminum wiring, properly installed connectors approved for use with aluminum wiring must be used.

Electrical Requirements

This appliance must be supplied with the proper voltage and frequency, and connected to an individual, properly grounded branch circuit, protected by a circuit breaker or fuse. See the rating plate located on the oven frame to determine the rating of the product. Use the chart below to determine the minimum recommended dedicated circuit protection.

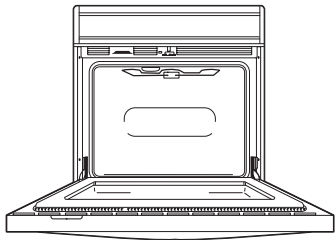
KW Rating 240V	KW Rating 208V	Recommended Circuit Size (Dedicated)
≤4.8 KW	≤4.1 KW	20 Amp
4.9 KW–7.2 KW	4.3 KW–6.2 KW	30 Amp
7.3 KW–9.6 KW	6.3 KW–8.3 KW	40 Amp
9.7 KW–12.0 KW	8.4 KW–10.4 KW	50 Amp

Installation Instructions

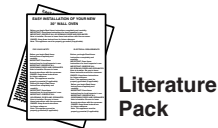
✓ Pre-Installation Checklist

ALL INSTALLATION INFORMATION ON THE FOLLOWING PAGES IS TO BE USED FOR **SINGLE** AND **DOUBLE** OVEN INSTALLATION!

- ✓ Remove packaging materials. Check behind hinges and under false bottom. Remove labels on the outside of the door, plastic on trims and panel, all tape around the oven, and any shipping screws securing the oven to the base pad.



Oven Racks



Literature Pack

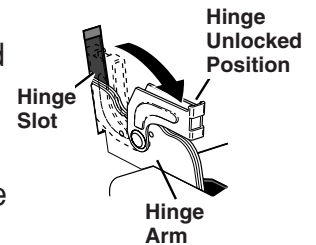
- ✓ Open oven door and remove literature pack and oven racks.
 - ✓ Remove Installation Instructions from literature pack and read them carefully before you begin.
- Be sure to place all literature, Owner's Manual, Installations, etc. in a safe place for future reference.



Door removal is not a requirement for installation of the product, but is an added convenience. To remove the door:

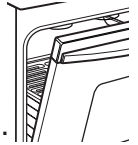
- ✓ Open the oven door as far as it will go.

- ✓ Push both hinge locks down toward the door frame, to the unlocked position. This may require a flat blade screwdriver.

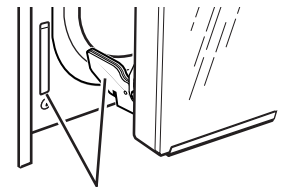


DO NOT LIFT THE DOOR BY THE HANDLE!

- ✓ Place hands on both sides of the door, and close the oven door to the removal position, which is most of the way closed.



- ✓ Lift door up and out until the hinge arms clear the slots.



Hinge Clears Slot

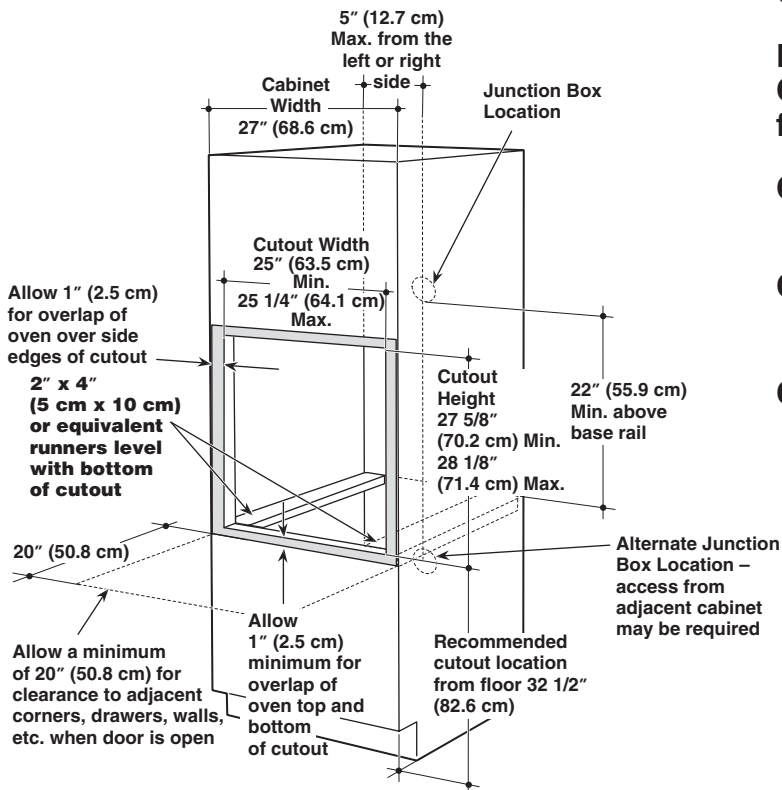
NOTE: The oven door is very heavy. Be sure you have a firm grip before lifting the oven door off the hinges. Use caution once the door is removed. Do not lay the door on its handle. This could cause dents or scratches.

- ✓ Place the oven on a table or platform even with the cutout opening. (Platform must support 150 lbs. [68 Kg] single, 275 lbs. [124 Kg] double.)
- ✓ Remove the bottom trim from the top of the oven. It will be installed at the end of the installation process. The trim is wrapped separately and taped to the top of the unit.

Installation Instructions

A Cutout for 27" (68.6 cm) Single Built-In Ovens only

For JKS10, JKP30, JKP70, PK916, ZEK938 models only.



Cabinet Width 27" (68.6 cm)

Recommended Cutout Location from Floor 32 1/2" (82.6 cm)

Cutout Depth 23 1/2" (59.7 cm) Min.

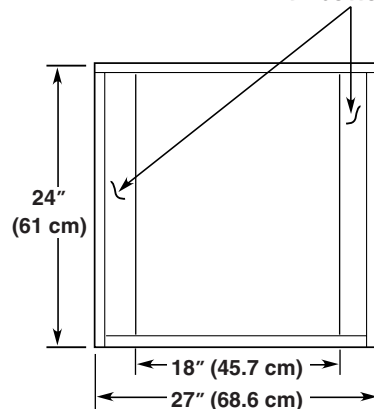
Cutout Width 25" (63.5 cm) Min.
25 1/4" (64.1 cm) Max.

Cutout Height 27 5/8" (70.2 cm) Min.
28 1/8" (71.4 cm) Max.

NOTE: If the cabinet does not have a front frame and the sides are less than 3/4" (1.9 cm) thick, shim both sides equally to establish the cutout width.

If the cabinet does not have a solid bottom, two braces or runners must be installed level with the bottom of the cutout to support the weight of the oven. For single ovens, the runners and braces must support 150 lbs (68 Kg).

2" x 4" (5 cm x 10 cm) or equivalent runners level with bottom of cutout



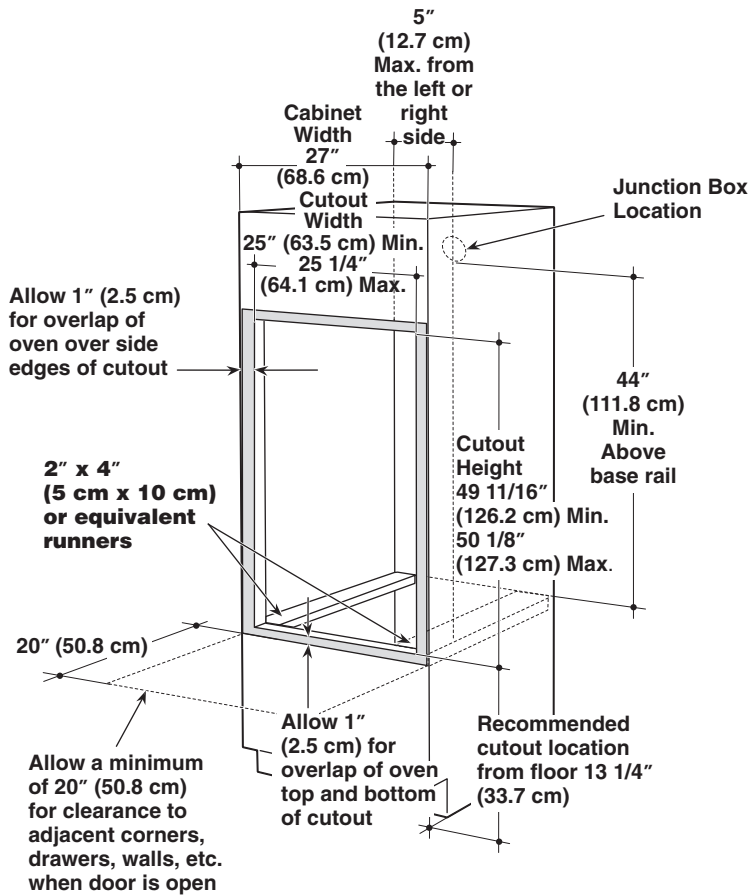
NOTE: If marks, blemishes or the cutout opening are visible above the installed oven, it may be necessary to add wood shims under the runners and front trim until the marks or opening are covered.

These ovens are not approved for stackable installations.

Installation Instructions

A Cutout for 27" (68.6 cm) Double Built-In Ovens only

For JKP35, JKP55, JKP75, PK956, ZEK958 models only.



Cabinet Width 27" (68.6 cm)

Recommended Cutout Location from Floor 13 1/4" (33.7 cm)

Cutout Depth 23 5/8" (60 cm) Min.

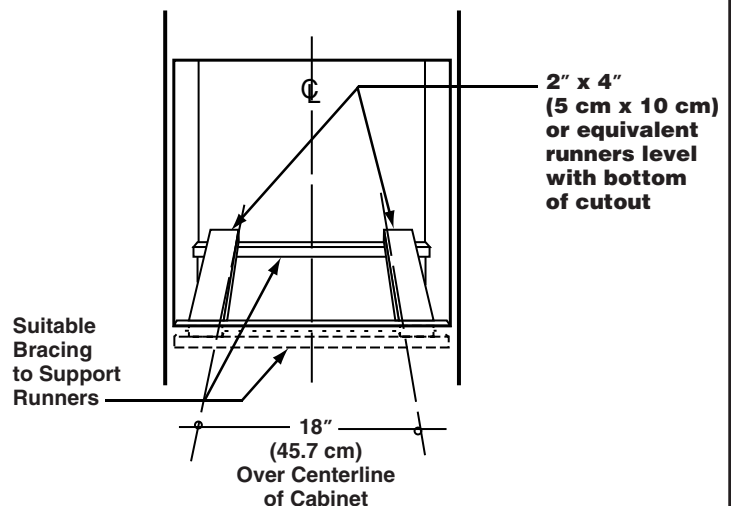
Cutout Width 25" (63.5 cm) Min. 25 1/4" (64.1 cm) Max.

Cutout Height 49 11/16" (126.2 cm) Min. 50 1/8" (127.3 cm) Max.

NOTE: If the cabinet does not have a front frame and the sides are less than 3/4" (1.9 cm) thick, shim both sides equally to establish the cutout width.

If the cabinet does not have a solid bottom, two braces or runners must be installed to support the weight of the oven. For double ovens, the runners and braces must support 300 lbs (135 Kg).

NOTE: If marks, blemishes or the cutout opening are visible above the installed oven, it may be necessary to add wood shims under the runners and front trim until the marks or opening are covered.

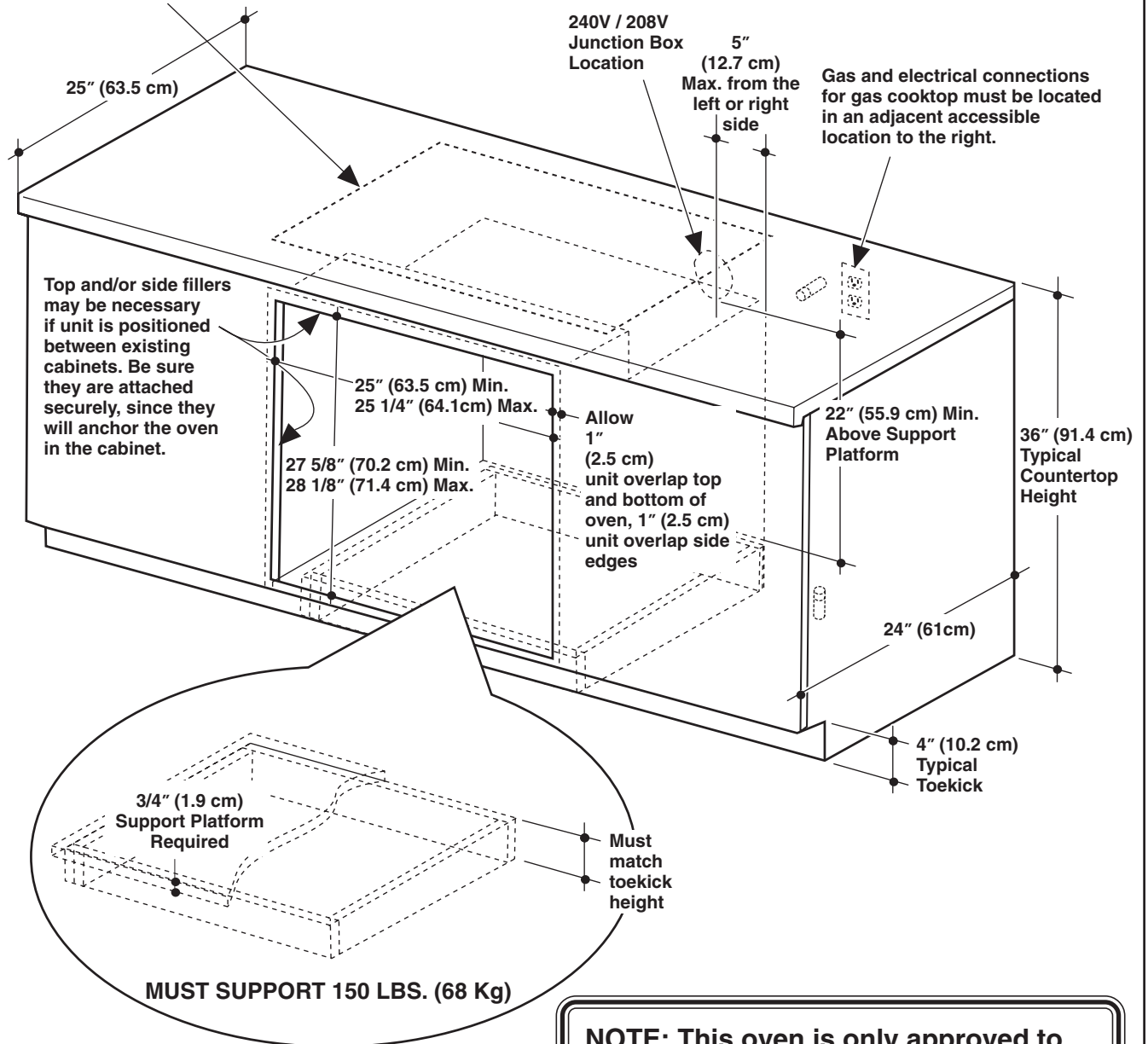


Installation Instructions

A Cutout for 27" (68.6 cm) Single Built-In Ovens only Under Counter

For JKS10, JKP30, JKP70, PK916, ZEK938 models only.

Gas or electric cooktops may be installed over this oven. See cooktop installation instructions for cutout size. See label on top of oven for approved cooktop models.



NOTE: This oven is only approved to be installed under the specific models as labeled on this unit.

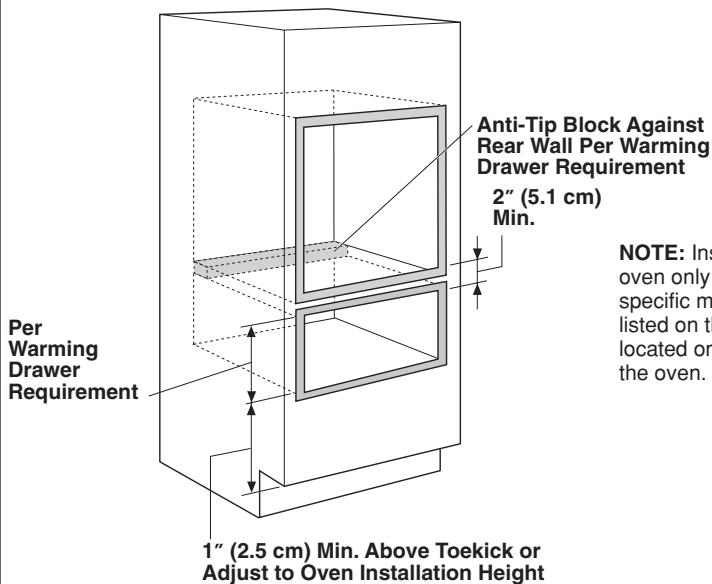
Cabinetry

A Cutout for 27" (68.6 cm) Single or Double Built-In Ovens only – Over a Warming Drawer

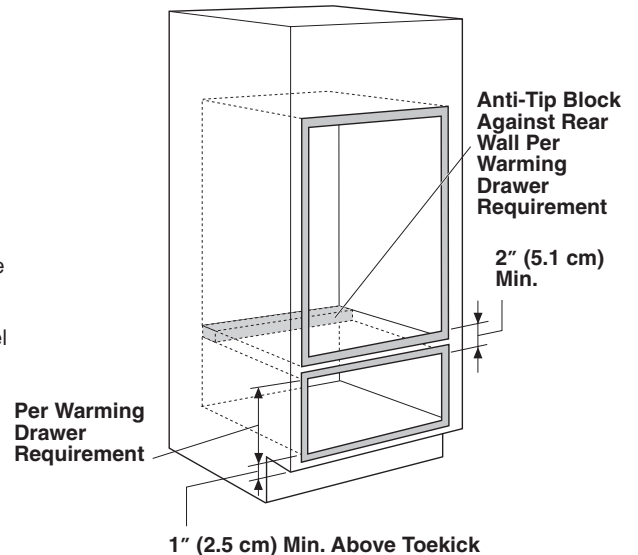
For JKS10, JKP30, JKP35, JKP55, JKP70, JKP75, PK916, PK956, ZEK938, ZEK958 models only.

**Single 27" (68.6 cm)
Oven Over
a Warming Drawer**

**Double 27" (68.6 cm)
Oven Over
a Warming Drawer**



NOTE: Install the oven only with specific models listed on the label located on top of the oven.



NOTE: Additional clearances between cutouts may be required. Check to be sure the oven supports above the Warming Drawer location do not obstruct the required interior depth and height.

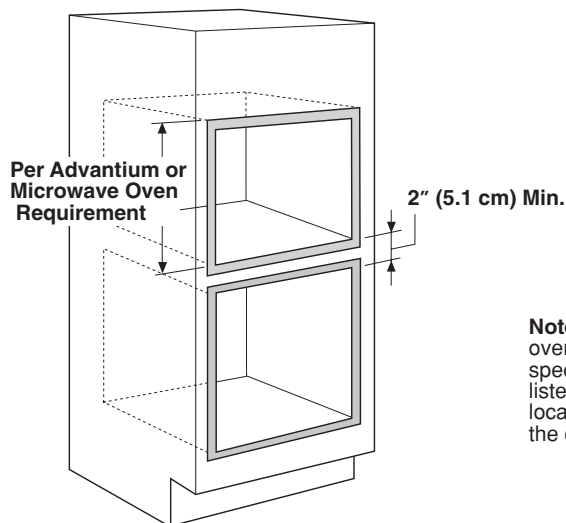
- When installing a Warming Drawer below a single or double oven, a separate 120V, 60 Hz, properly grounded receptacle must be installed. Refer to installation instructions packed with the Warming Drawer for specific installation requirements.

Cabinetry

A Cutout for 27" (68.6 cm) Single Ovens only – Below an Advantium or Microwave Oven or Between an Advantium or Microwave Oven and a Warming Drawer

For JKS10, JKP30, JKP70, PK916, ZEK938 models only.

Single 27" (68.6 cm) Oven Below an Advantium or Microwave Oven



Note: Install the oven only with specific models listed on the label located on top of the oven.

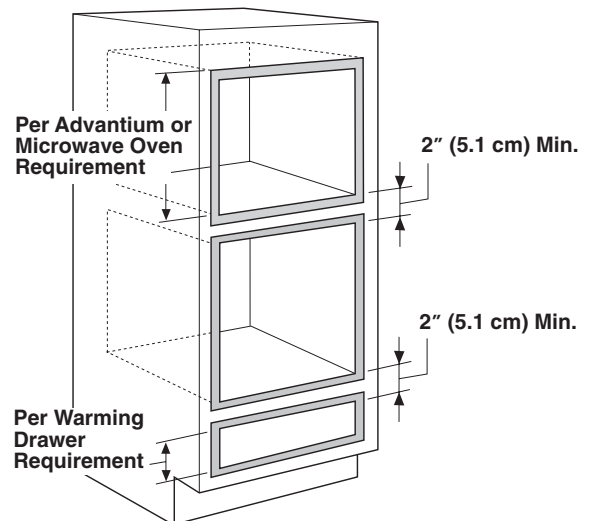
NOTE: The middle rail separating the two openings may need to be larger than the 3" (7.6 cm) minimum shown. Always refer to the individual installation instructions packed with each product for specific requirements.

Combined Advantium or Microwave Oven and Wall Oven Installation:

When installed in combination with a single wall oven, use separate electrical junction boxes.

- Refer to the Advantium or microwave oven installation instructions for electrical requirements of that product.
- These connections must be made by a qualified electrician. All electrical connections must meet National Electrical Code or prevailing local codes.

Single 27" (68.6 cm) Oven Between an Advantium or Microwave Oven and a Warming Drawer



NOTE: Additional clearances may be required. Check to be sure the oven supports above the Warming Drawer do not obstruct the required interior depth and height. The middle rail separating the openings may need to be larger than the 2" (5.1 cm) minimum shown. Always refer to the individual installation instructions packed with each product for specific requirements.

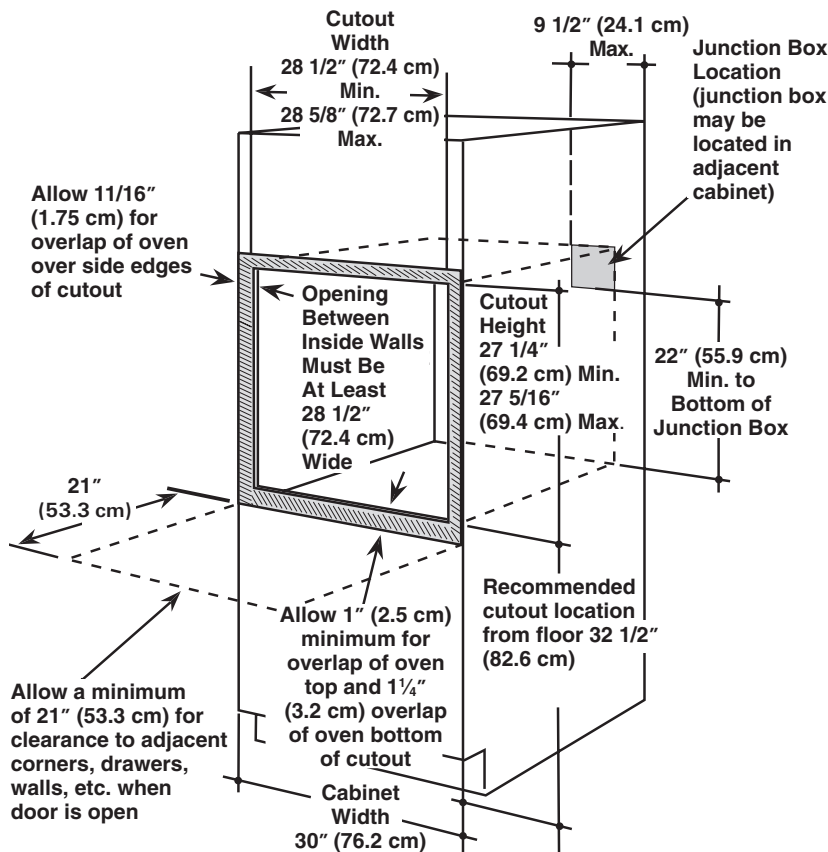
Warming Drawer Combined with Advantium or Microwave Oven and Single Oven:

Install a separate 120V, 60Hz, properly grounded receptacle. See installation instructions packed with each product for specific requirements.

Installation Instructions

A Cutout for 30" (76.2 cm) Single Built-In Ovens only

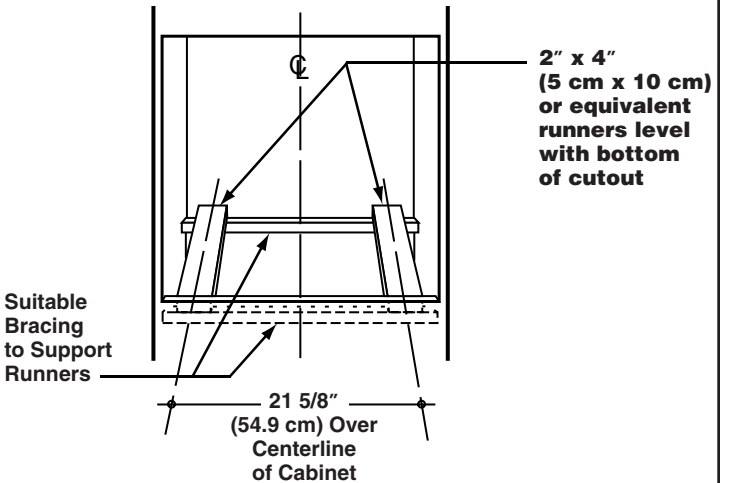
For JTP30, JTP70, PT916, PT920, ZET938 models only.



Cabinet Width	30" (76.2 cm)
Recommended Cutout Location from Floor	32 1/2" (82.6 cm)
Cutout Depth	23 1/2" (59.7 cm) Min.
Cutout Width	28 1/2" (72.4 cm) Min. 28 5/8" (72.7 cm) Max.
Cutout Height	27 1/4" (69.2 cm) Min. 27 5/16" (69.4 cm) Max.

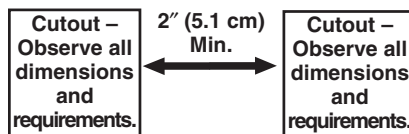
NOTE: If the cabinet does not have a front frame and the sides are less than 3/4" (1.9 cm) thick, shim both sides equally to establish the cutout width.

If the cabinet does not have a solid bottom, two braces or runners must be installed level with the bottom of the cutout to support the weight of the oven. For single ovens, the runners and braces must support 150 lbs (68 Kg).



NOTE: If marks, blemishes or the cutout opening are visible above the installed oven, it may be necessary to add wood shims under the runners and front trim until the marks or opening are covered.

Side by Side Installations
Install two wall ovens in separate cutouts. Allow 2" (5.1 cm) min. between cutouts.

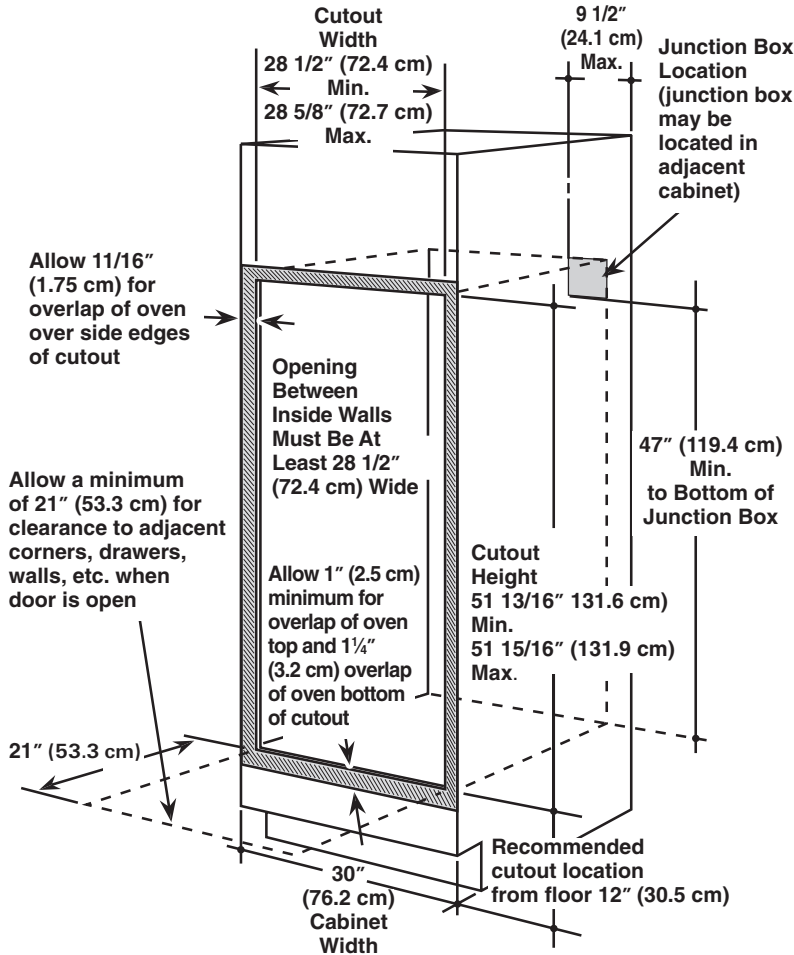


These ovens are not approved for stackable installations.

Installation Instructions

A Cutout for 30" (76.2 cm) Double Built-In Ovens only

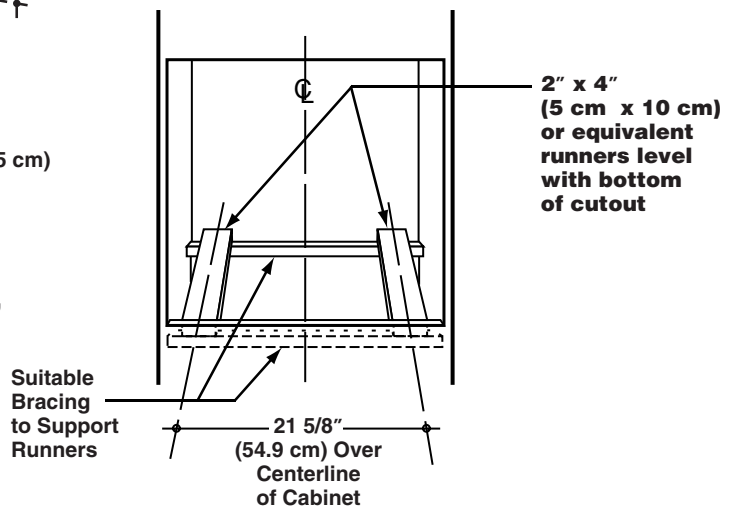
For JTP35, JTP55, JTP75, PT956, PT960, ZET958 models only.



Cabinet Width	30" (76.2 cm)
Recommended Cutout Location from Floor	12" (30.5 cm)
Cutout Depth	23 1/2" (59.7 cm) Min.
Cutout Width	28 1/2" (72.4 cm) Min. 28 5/8" (72.7 cm) Max.
Cutout Height	51 13/16" (131.6 cm) Min. 51 15/16" (131.9 cm) Max.

NOTE: If the cabinet does not have a front frame and the sides are less than 3/4" (1.9 cm) thick, shim both sides equally to establish the cutout width.

If the cabinet does not have a solid bottom, two braces or runners must be installed level with the bottom of the cutout to support the weight of the oven. For double ovens, the runners and braces must support 275 lbs (124 Kg).



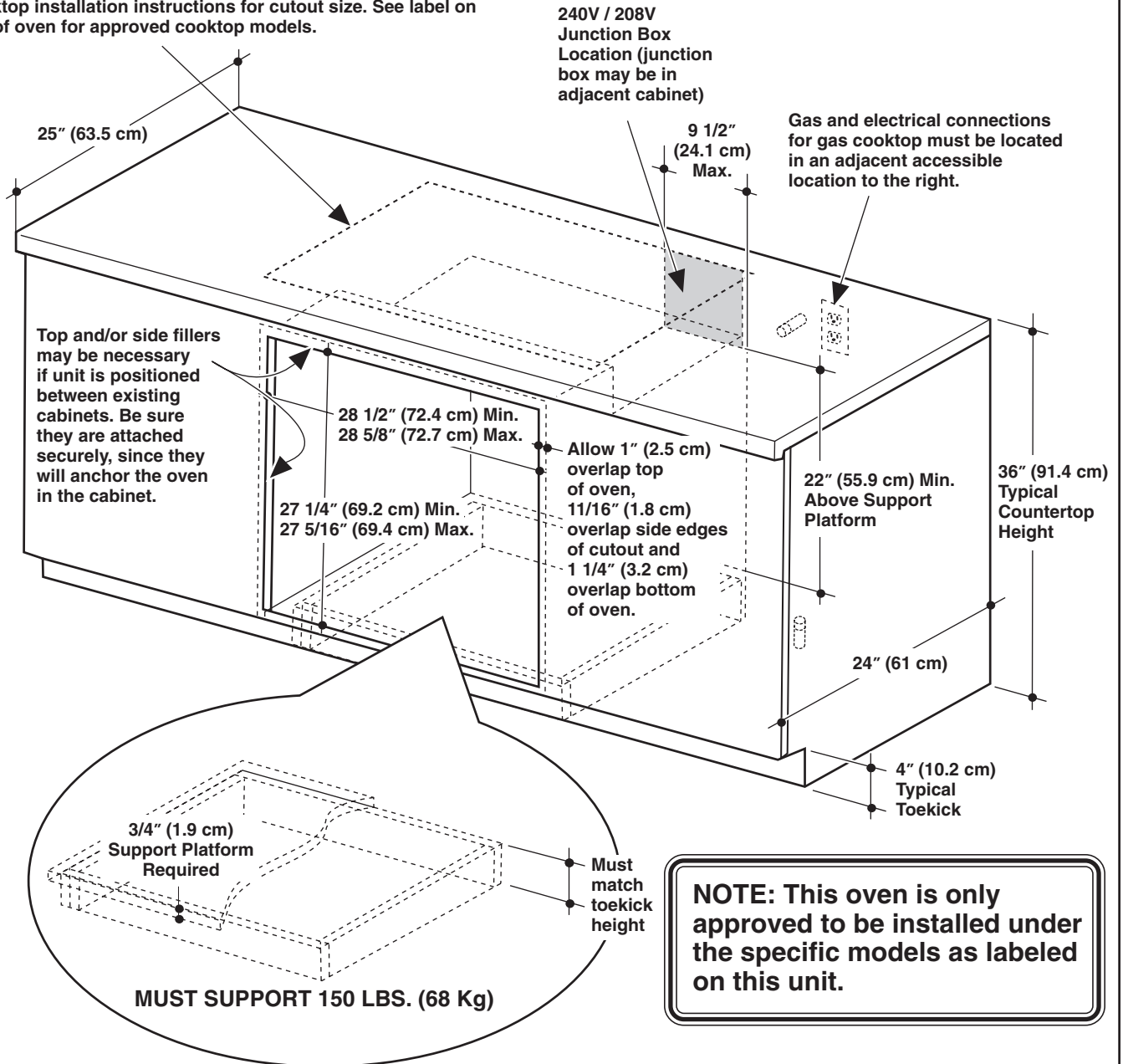
NOTE: If marks, blemishes or the cutout opening are visible above the installed oven, it may be necessary to add wood shims under the runners and front trim until the marks or opening are covered.

Installation Instructions

A Cutout for 30" (76.2 cm) Single Built-In Ovens only Under Counter

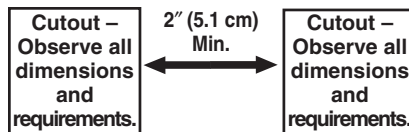
For JTP30, JTP70, PT916, PT920, ZET938 models only.

Gas or electric cooktops may be installed over this oven. See cooktop installation instructions for cutout size. See label on top of oven for approved cooktop models.



Side by Side Installations

Install two wall ovens in separate cutouts. Allow 2" (5.1 cm) min. between cutouts.



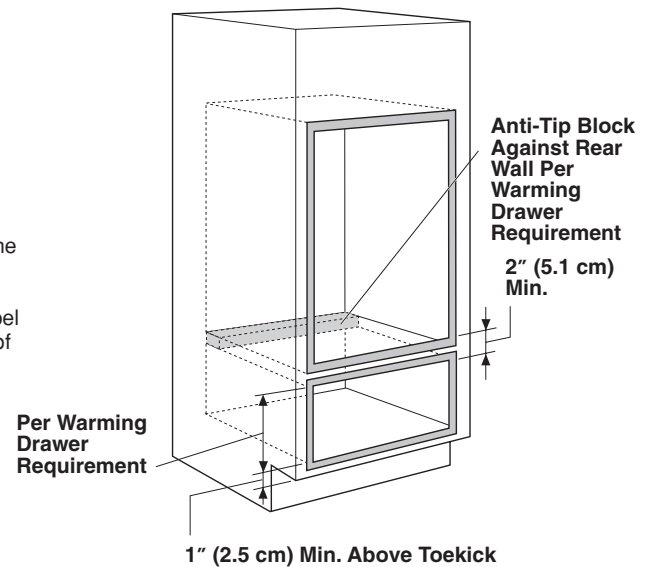
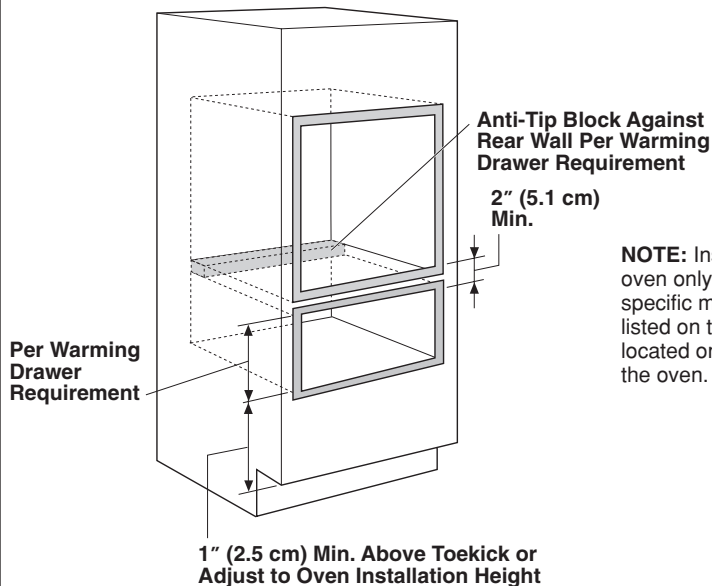
Cabinetry

A Cutout for 30" (76.2 cm) Single or Double Built-In Ovens only – Over a Warming Drawer

For JTP30, JTP35, JTP55, JTP70, JTP75, PT916, PT920, PT956, PT960, ZET938, ZET958 models only.

Single 30" (76.2 cm) Oven Over a Warming Drawer

Double 30" (76.2 cm) Oven Over a Warming Drawer



NOTE: Install the oven only with specific models listed on the label located on top of the oven.

NOTE: Additional clearances between cutouts may be required. Check to be sure the oven supports above the Warming Drawer location do not obstruct the required interior depth and height.

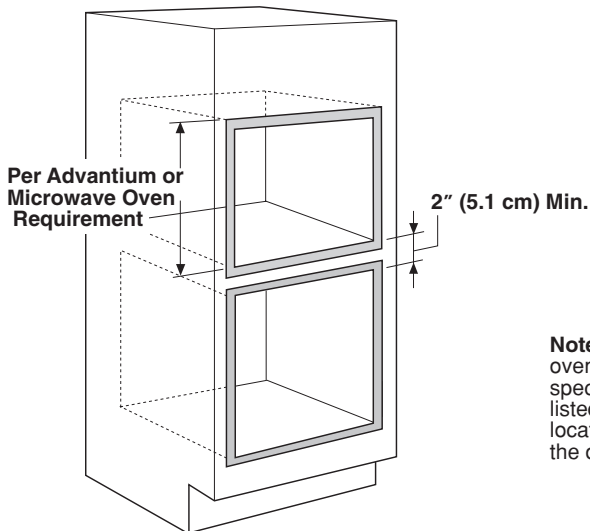
- When installing a Warming Drawer below a single or double oven, a separate 120V, 60 Hz, properly grounded receptacle must be installed. Refer to installation instructions packed with the Warming Drawer for specific installation requirements.

Cabinetry

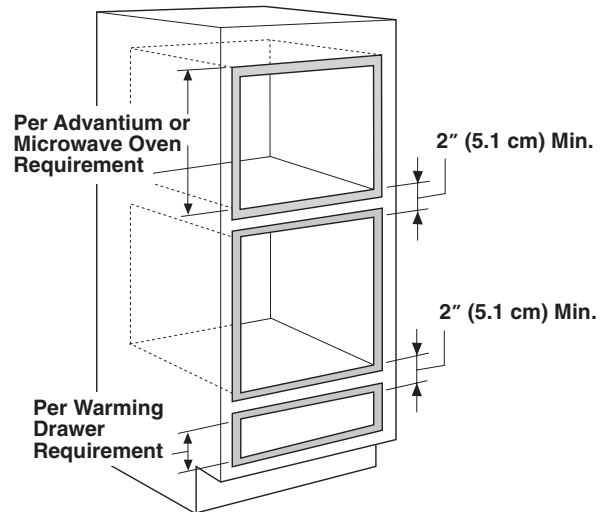
A Cutout for 30" (76.2 cm) Single Ovens only – Below an Advantium or Microwave Oven or Between an Advantium or Microwave Oven and a Warming Drawer

For JTP30, JTP70, PT916, PT920, ZET938 models only.

Single 30" (76.2 cm) Oven Below an Advantium or Microwave Oven



Single 30" (76.2 cm) Oven Between an Advantium or Microwave Oven and a Warming Drawer



Note: Install the oven only with specific models listed on the label located on top of the oven.

NOTE: The middle rail separating the two openings may need to be larger than the 2" (5.1 cm) minimum shown. Always refer to the individual installation instructions packed with each product for specific requirements.

Combined Advantium or Microwave Oven and Wall Oven Installation:

When installed in combination with a single wall oven, use separate electrical junction boxes.

- Refer to the Advantium or microwave oven installation instructions for electrical requirements of that product.
- These connections must be made by a qualified electrician. All electrical connections must meet National Electrical Code or prevailing local codes.

NOTE: Additional clearances may be required. Check to be sure the oven supports above the Warming Drawer do not obstruct the required interior depth and height. The middle rail separating the openings may need to be larger than the 2" (5.1 cm) minimum shown. Always refer to the individual installation instructions packed with each product for specific requirements.

Warming Drawer Combined with Advantium or Microwave Oven and Single Oven:

Install a separate 120V, 60Hz, properly grounded receptacle. See installation instructions packed with each product for specific requirements.

Installation Instructions

B Electrical Connections

ATTENTION INSTALLER

All electric wall ovens must be hard wired (direct wired) into an approved junction box. A plug and receptacle is NOT permitted on these products.

DO NOT shorten the flexible conduit. The conduit strain relief clamp must be securely attached to the junction box and the flexible conduit must be securely attached to the clamp. If the flexible conduit will not fit within the clamp, do not install the oven until a clamp of the proper size is obtained.

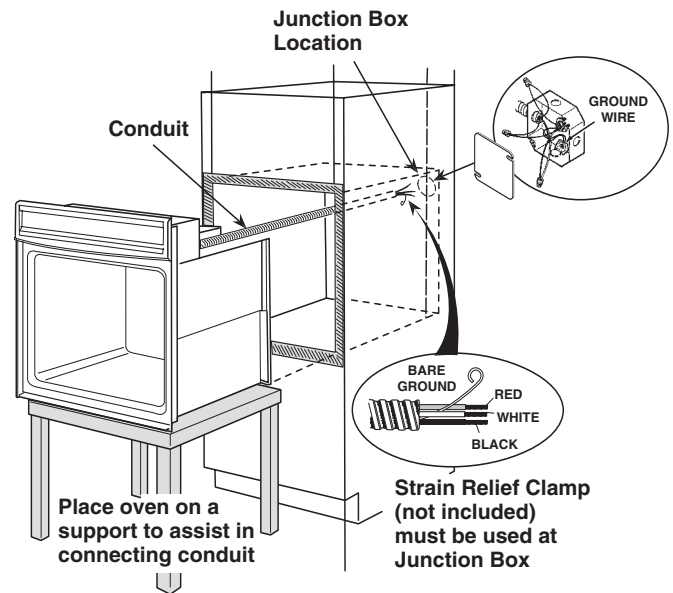
NOTE TO ELECTRICIAN: The 3 power leads supplied with this appliance are UL recognized for connection to heavier gauge household wiring. The insulation of these 3 leads is rated at temperatures much higher than the temperature rating of household wiring. The current carrying capacity of the conductor is governed by the wire gauge and the temperature rating of the insulation around the wire.



WARNING: Improper connection of aluminum house wiring to copper leads can result in an electrical hazard or fire. Use only connectors designed for joining copper to aluminum and follow the manufacturer's recommended procedure closely.

B1 Turn off the circuit breaker or remove fuses to the oven branch circuit.

B2 With the oven supported on a table or platform in front of the cabinet opening, connect the flexible conduit to the electrical junction box as shown below. Position the conduit in such a manner that it will lie on top of the oven in a natural loop when the oven is installed. You will need to purchase an appropriate strain relief clamp to complete the connection of the conduit to the junction box.

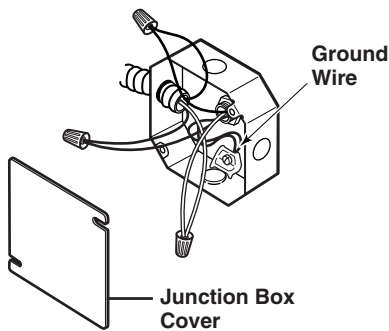


Installation Instructions

B3 New Construction and Four-Conductor Branch Circuit Connection

- When installing in new construction, or
- When installing in a mobile home, or
- When installing in a recreational vehicle, or
- When local codes do not permit grounding through neutral:

- a. Cut the neutral (white) lead from the crimp. Re-strip the neutral (white) lead to expose the proper length of conductor.

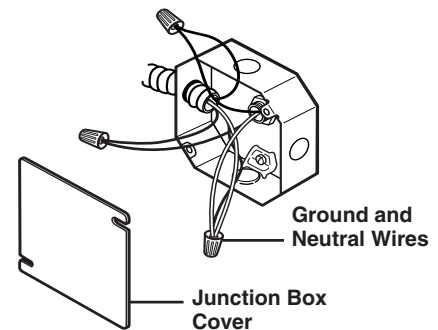


- b. Attach the appliance grounding lead (green or bare copper) in accordance with local codes. If the residence grounding conductor is aluminum, see WARNING on page 14.
- c. Connect the oven neutral (white) lead to the branch circuit neutral (white or gray) in accordance with local codes, using a wire nut.
- d. Connect the oven red lead to the branch circuit red lead and the oven black lead to the branch circuit black lead in accordance with local codes, using wire nuts. If the residence red, black or white leads are aluminum conductors, see WARNING on page 14.
- e. Install Junction Box Cover.

B4 Three-Conductor Branch Circuit Connection

When connecting to a three-conductor branch circuit, if local codes permit:

- a. Connect the bare oven ground conductor with the crimped neutral (white) lead to the branch circuit neutral (white or gray in color), using a wire nut.



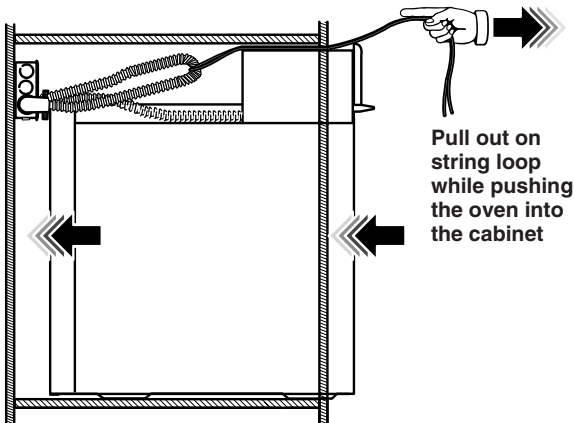
- b. Connect the oven red lead to the branch circuit red lead in accordance with local codes, using a wire nut.
- c. Connect the oven black lead to the branch circuit black lead in accordance with local codes, using a wire nut. If the residence red, black or white leads are aluminum conductors, see WARNING on page 14.
- d. Install Junction Box Cover.

Installation Instructions

C Securing the Oven in the Opening

C1 Sliding the Oven Into the Opening

- a. Loop (do not tie) a 36" (91 cm) string around the conduit before the oven is slid into place. This will keep the conduit from falling behind the oven.



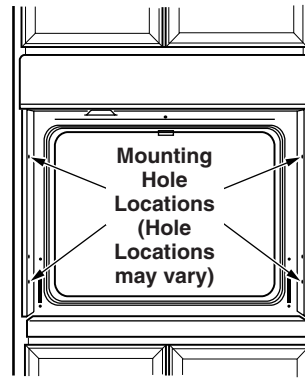
Pull out on string loop while pushing the oven into the cabinet

- b. Lift oven into cabinet cutout using the oven opening as a grip. Carefully push against oven front frame. Do not push against outside edges.
- c. As you slide the oven back, pull the string so that the conduit will lie on top of the oven in a natural loop.
- d. When you are sure the conduit is out of the way, slide the oven 3/4 way back into the opening. Remove the string by pulling on one end of the loop.

C2 Drilling the Pilot Holes and Mounting the Oven

NOTE: Before drilling the pilot holes, make sure the oven is pushed as far back into the opening as it will go and centered.

- a. Drill through the mounting holes (top and bottom) of the side trim, for the #8 screws provided.



The screws must be a minimum of 1/4" (6 mm) from the front of the cutout.

WARNING: Mounting screws must be used. Failure to do so could result in the oven falling out of the cabinet causing serious injury.

- b. Secure the oven to cabinet with screws provided.

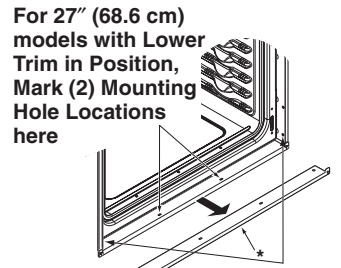
NOTE: If the cabinet is particle board, you must use #8 x 3/4" particle board screws. These may be purchased at any hardware store.

Installation Instructions

C3 Preparing for the Bottom Trim Installation

a. With oven installed, take the bottom trim and center it on the bottom front edge of the cabinet opening.

b. Using the trim as a template, mark the center of each slot (two total) where the mounting holes will be drilled.



c. Remove the trim.

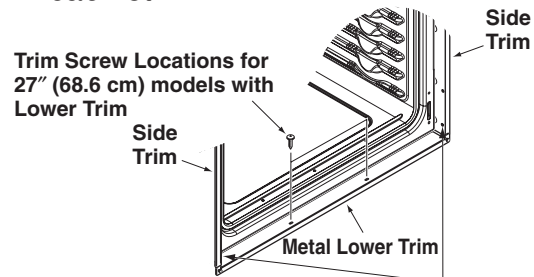
d. Drill pilot holes into the center of each template mark.

* Remove Lower Trim Before Pre-drilling Mounting Holes

C4 Installing the Metal Bottom Trim

a. Place the bottom metal trim centered over the pre-drilled mounting holes. Tape the edges of the trim down to maintain the alignment.

b. Using two trim screws provided, secure the bottom trim to the bottom edge of the cabinet.



Trim Screw Locations for 30" (76.2 cm) models with Lower Trim

IMPORTANT: If this unit is ever removed from the cabinet or the oven is ever pulled out for service, the trim must be removed first or damage to the trim will occur.

Installation Instructions

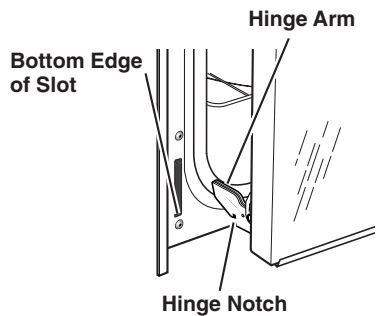
D Replacing the Oven Door

NOTE: The oven door is heavy. You may need help lifting the door high enough to slide it into the hinge slots. Do not lift the door by the handle.

- D1** Lift the oven door by placing one hand on each side. The door is heavy, so you may need help. Do not lift the door by the handle.

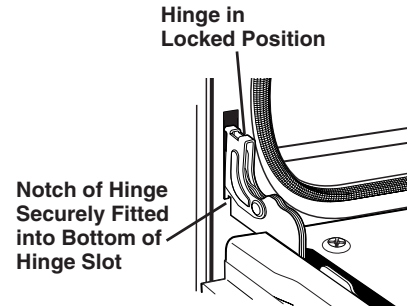


- D2** With the door at the same angle as the removal position, which is most of the way closed, seat the notch of the hinge arm into the bottom edge of the hinge slot. The notch of the hinge arm must be fully seated into the bottom of the slot.



- D3** Open the oven door as far as it will open.

- D4** Push the hinge locks up against the front frame of the oven cavity, to the locked position.



- D5** Close the oven door.

Installation Instructions

Pre-Test Checklist

- | | |
|---|--|
| <input checked="" type="checkbox"/> Remove all protective film, if present, and any stickers. | <input checked="" type="checkbox"/> Check that the bottom trim is installed properly (see page 17). |
| <input checked="" type="checkbox"/> Check to be sure that all wiring is secure and not pinched or in contact with moving parts. | <input checked="" type="checkbox"/> Check to be sure the mounting screws are installed and flush with the side trim (see page 16). |

Operation Checklist

- | | |
|--|---|
| <input checked="" type="checkbox"/> Remove all items from the inside of the oven. | <input checked="" type="checkbox"/> NOTE TO ELECTRICIAN: The power leads supplied with this appliance are UL recognized for connections to larger gauge household wiring. The insulation of these leads is rated at temperatures much higher than the temperature rating of household wiring. The current carrying capacity of a conductor is governed by the wire gauge and also the temperature rating of the insulation around the wire.
NOTE: ALUMINUM WIRING
A. WARNING: IMPROPER CONNECTION OF ALUMINUM HOUSE WIRING TO THE COPPER LEADS CAN RESULT IN AN ELECTRICAL HAZARD OR FIRE.
B. Splice copper wires to aluminum wiring using special connectors designed and UL approved for joining copper to aluminum, and follow the manufacturer's recommended connector procedure closely.
NOTE: Wire used, location and enclosure of splices, etc., must conform to good wiring practice and local codes. |
| <input checked="" type="checkbox"/> Check that conduit is securely connected to the junction box. | |
| <input checked="" type="checkbox"/> Turn on the power to the oven. (Refer to your Owner's Manual.) Verify that the bake and broil units, and all cooking functions operate properly. | |
| <input checked="" type="checkbox"/> Check that the circuit breaker is not tripped nor the house fuse blown. | |
| <input checked="" type="checkbox"/> See your Owner's Manual for troubleshooting list. | |

Notes

Instrucciones de instalación

Horno de pared empotrado

Modelos de 27" (68,6 cm)

JKS10, JKP30, JKP35, JKP55, JKP70, JKP75, PK916, PK956, ZEK938, ZEK958

Modelos de 30" (76,2 cm)

JTP30, JTP35, JTP55, JTP70, JTP75, PT916, PT920, PT956, PT960, ZET938, ZET958

¿Preguntas? Visite nuestro sitio en la Web: ge.com

Antes de empezar

Lea estas instrucciones cuidadosa y completamente.

- **IMPORTANTE**—Guarde estas instrucciones y téngalas disponibles para el inspector local.
- **IMPORTANTE**—Observe todos los códigos y ordenanzas vigentes.
- **Nota al instalador**—Cerciórese de dejar estas instrucciones con el propietario.
- **Nota al consumidor**—Guarde estas instrucciones para usarlas como referencia en el futuro.

- La instalación apropiada es responsabilidad del instalador y la falla del producto por una instalación incorrecta NO está cubierta por la garantía.

- **NOTA**—Este aparato debe estar conectado a tierra adecuadamente.

¡ATENCIÓN AL INSTALADOR!

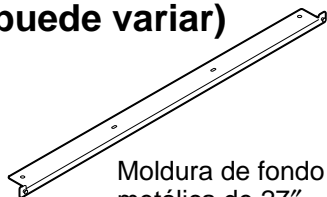
Todos los hornos electrónicos de pared deben ser cableados directamente en una caja de conexión aprobada. Un "enchufe-receptáculo" NO ES permitido en estos productos.

Partes incluidas

(l'aparència puede variar)



Tornillos para instalación (tornillos para madera tipo Phillips de cabeza plana 8-18 x .750)



Moldura de fondo metálica de 27" (68,6 cm)



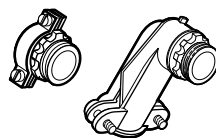
WB07T10578 – Negro
WB07T10579 – SS

Montaje de moldura de fondo metálica opcional de 27" (68,6 cm) (en algunos modelos o pueden adquirirse por separado)

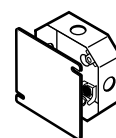


Montaje de moldura de fondo metálica de 30" (76,2 cm)

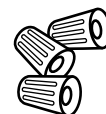
Materiales necesarios



Abrazadera de alivio de presión para conducto de 1/2"



Caja de conexión

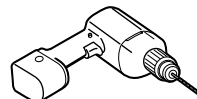


Tuercas para alambres



Cordón de 36" (91 cm)

Herramientas necesarios



Una broca de 1/8" (3 mm) para taladro eléctrico o manual



Destornillador de estrella

Instrucciones de instalación

INSTRUCCIONES DE SEGURIDAD IMPORTANTES

Para su seguridad

- Cerciórese de que su horno sea instalado adecuadamente por un instalador calificado o por un técnico de servicio.
- Cerciórese de que su horno esté firmemente instalado en un gabinete que esté firmemente adherido a la estructura de la casa. El peso sobre la puerta del horno podría causar que el horno se voltee resultando en lesiones. Nunca permita que nadie se suba, se siente, se pare o se cuelgue de la puerta del horno.
- Cerciórese de que los gabinetes y los revestimientos de la pared alrededor del horno puedan soportar las temperaturas (hasta 200°F [93,3°C]) generadas por el horno.



ADVERTENCIA:

La energía eléctrica hacia la línea de suministro del horno debe ser desconectada mientras se hacen las conexiones. No hacer esto podría resultar en lesiones graves e incluso provocar la muerte.

Requisitos eléctricos

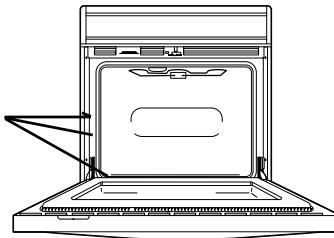
Este aparato debe abastecerse con la frecuencia y el voltaje adecuados, y conectarse a un circuito eléctrico individual con conexión a tierra con protección de un fusible o interruptor automático. Consulte la placa de potencia ubicada en el marco del horno para determinar la potencia del producto. Utilice el cuadro a continuación para determinar la protección mínima recomendada para el circuito eléctrico especializado.

Potencia KW 240V	Potencia KW 208V	Recomendable Tamaño del circuito (Especializado)
≤4,8 KW	≤4,1 KW	20 Amp
4,9 KW–7,2 KW	4,3 KW–6,2 KW	30 Amp
7,3 KW–9,6 KW	6,3 KW–8,3 KW	40 Amp
9,7 KW–12,0 KW	8,4 KW–10,4 KW	50 Amp

Requisitos eléctricos cont.

La placa de potencia se encuentra en la moldura lateral del horno, el marco lateral frontal del horno o el marco frontal inferior del horno.

Ubicación de la placa de potencia



Recomendamos que el cableado y la conexión eléctrica de su horno los realice un electricista calificado.

Después de la instalación, pída al electricista que le muestre la ubicación del interruptor principal del horno.

Consulte con su compañía de servicios local para obtener los códigos eléctricos que sean aplicables en su área. No hacer el cableado de su horno de manera apropiada, respetando los códigos vigentes, podría resultar en condiciones peligrosas. Si no existen códigos locales, su aparato debe usar un cableado y fusibles que cumplan con los requisitos, del Código Eléctrico Nacional, ANSI/NFPA No. 70—Última edición. Usted puede obtener una copia de este código escribiendo a:

National Fire Protection Association
Batterymarch Park
Quincy, MA 02269

A partir del 1ro. de enero de 1996, el Código Eléctrico Nacional requiere que todas las construcciones nuevas, pero no existentes, usen una conexión de 4 conductores hacia cualquier horno eléctrico. Cuando instale un horno eléctrico en una construcción nueva, casa móvil, vehículo de recreación o un área donde los códigos locales prohíban la conexión a tierra a través del conductor neutro, siga las instrucciones en la Sección CONSTRUCCIONES NUEVAS Y CONEXIONES DE CIRCUITOS RAMALES DE 4 CONDUCTORES.

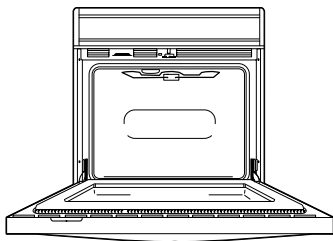
Usted debe usar un sistema eléctrico de tres alambres, monofásico, A.C. 208Y/120 voltios o 240/120 voltios, 60 Hertz. Si hace una conexión a alambres de aluminio, debe usar conectores adecuadamente instalados que estén aprobados para ser utilizados con cableados de aluminio.

Instrucciones de instalación

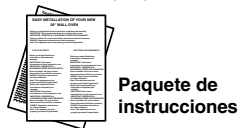
✓ Lista de control antes de la instalación

¡TODA LA INFORMACIÓN PARA LA INSTALACIÓN EN LAS PÁGINAS SIGUIENTES ES PARA SER USADA EN LA INSTALACIÓN DE HORNO DE UNA O DOS UNIDADES!

- ✓ Retire los materiales de embalaje. Revise detrás de las bisagras y debajo del fondo falso. Retire las etiquetas de la puerta, el plástico de las molduras y panel, todas las cintas alrededor del horno, y todos de los tornillos de envío que asegure el horno a la almohadilla de la base.



Parrillas del horno



Paquete de instrucciones

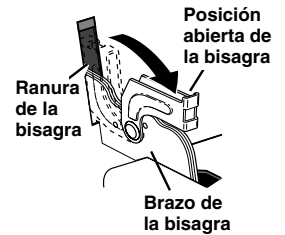
- ✓ Abra la puerta del horno y extraiga el paquete de instrucciones y las parrillas del horno.
- ✓ Extraiga las instrucciones de instalación del paquete y léalas cuidadosamente antes de empezar la instalación.
Cerciórese de guardar bien todas las instrucciones, Manual del propietario, Instalación, etc. para referencia en el futuro.



No es necesario retirar la puerta para la instalación del producto, pero hacerlo facilita la instalación. Para retirar la puerta:

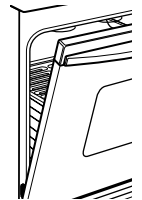
- ✓ Abra la puerta del horno hasta el máximo.

- ✓ Empuje los topes de las bisagras hacia abajo, hacia el marco de la puerta hasta la posición abierta. Esto podría requerir el uso de un destornillador plano.

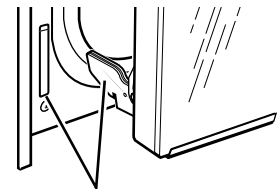


¡NO LEVANTE LA PUERTA POR LA EMPUÑADURA!

- ✓ Coloque las manos en ambos lados de la puerta, cierre la puerta del horno hasta la posición de remoción, que está cerrado la mayor parte del tiempo.



- ✓ Levante la puerta y hale hacia fuera hasta que los brazos de la bisagra salgan de las ranuras.



Bisagra sale de la ranura

NOTA: La puerta del horno es muy pesada. Asegúrese de tenerla bien agarrada antes de levantarla de las bisagras. Tenga cuidado una vez que retire la puerta. No acueste la puerta sobre la empuñadura; esto podría causar marcas y rayas.

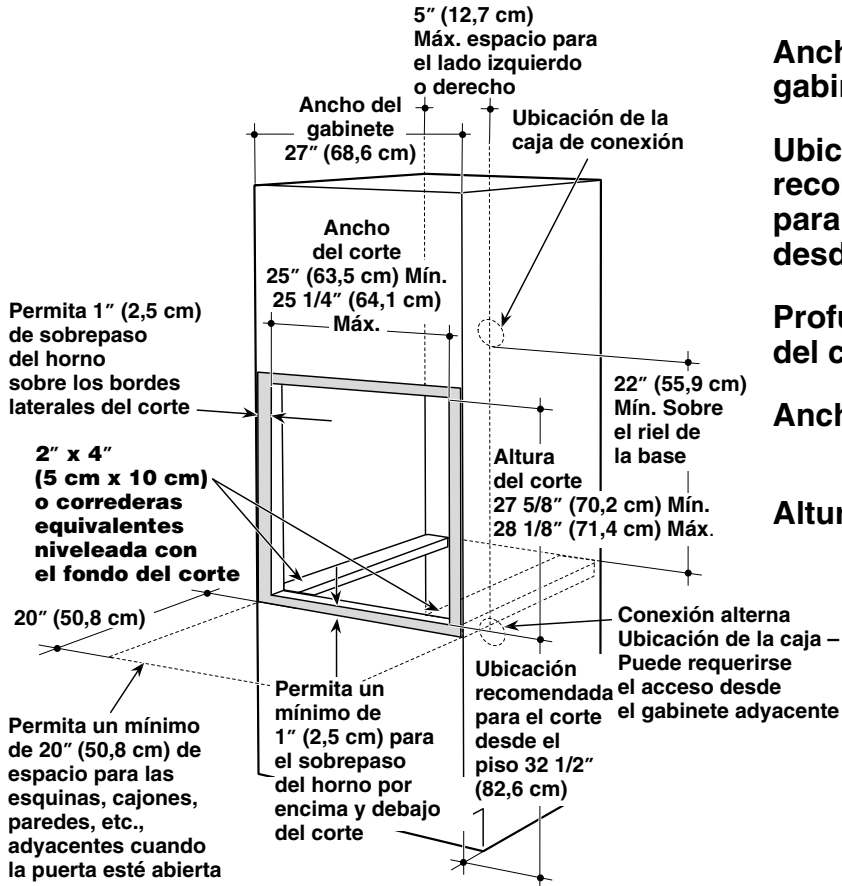
- ✓ Coloque el horno sobre la mesa o plataforma al nivel de la abertura del corte. (La plataforma debe soportar 150 libras [68 Kg] para hornos de una unidad y 275 libras [124 Kg] para hornos de dos unidades.)

- ✓ Extraiga la moldura de fondo de la parte superior del horno. La misma será instalada al final de la instalación. La moldura de fondo está envuelta por separado y pegada a la parte superior de la unidad.

Instrucciones de instalación

A Corte para los hornos de una unidad de 27" (68,6 cm) solamente

Para los modelos JKS10, JKP30, JKP70, PK916, ZEK938 solamente.



Ancho del gabinete 27" (68,6 cm)

Ubicación recomendada para el corte desde el piso 32 1/2" (82,6 cm)

Profundidad del corte 23 1/2" (59,7 cm) Mín.

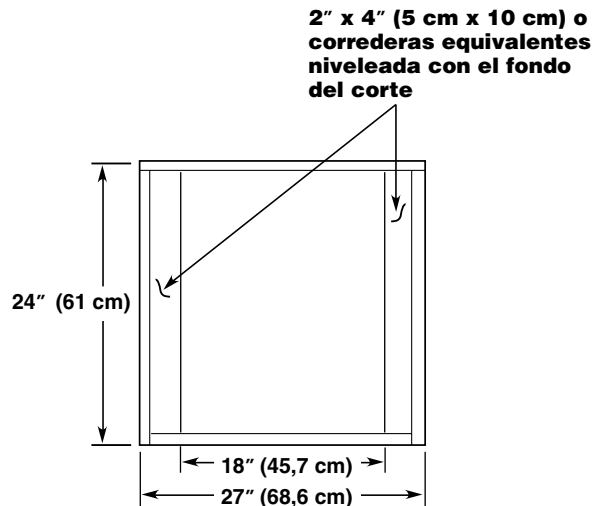
Ancho del corte 25" (63,5 cm) Mín. 25 1/4" (64,1 cm) Máx.

Altura de corte 27 5/8" (70,2 cm) Mín. 28 1/8" (71,4 cm) Máx.

NOTA: Si el gabinete no tiene un marco frontal y los lados son menores de 3/4" (1,9 cm) en grosor, coloque ambos lados en línea para establecer el ancho del corte.

Si el gabinete no tiene un fondo sólido, entonces se deben instalar dos abrazaderas o correderas nivelada con el fondo del corte para sostener el peso del horno. Para hornos de una unidad las correderas o abrazaderas deben soportar 150 libras (68 Kg).

NOTA: Si las marcas, imperfecciones o la abertura del corte son visibles por encima del horno instalado, quizás sea necesario agregar relleno debajo de las correderas y moldura delantera hasta que se cubran.

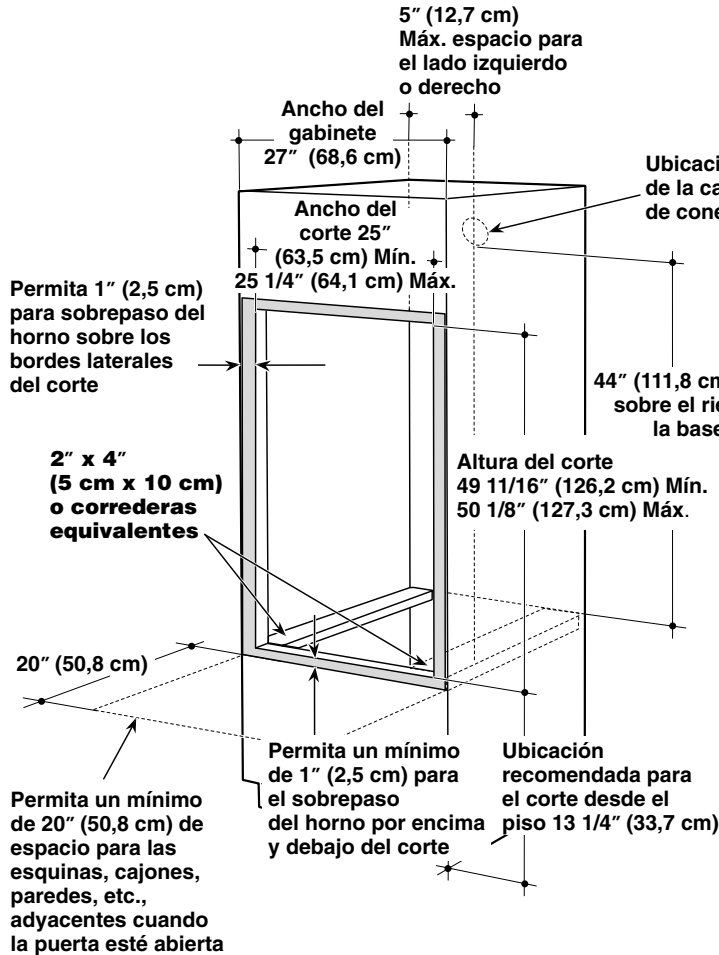


Estos hornos no están aprobados para las instalaciones apilables.

Instrucciones de instalación

A Corte para los hornos de dos unidades de 27" (68,6 cm) solamente

Para los modelos JKP35, JKP55, JKP75, PK956, ZEK958 solamente.



Ancho del gabinete 27" (68,6 cm)

Ubicación recomendada para el corte desde el piso 13 1/4" (33,7 cm)

Profundidad del corte 23 5/8" (60 cm) Mín.

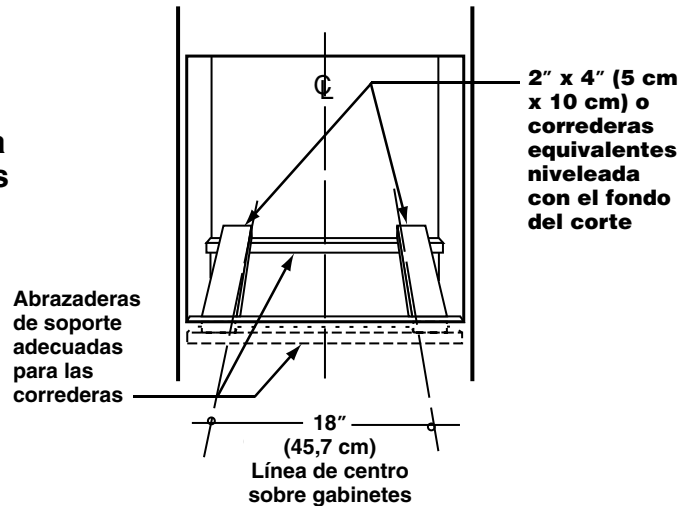
Ancho del corte 25" (63,5 cm) Mín.
25 1/4" (64,1 cm) Máx.

Altura de corte 49 11/16" (126,2 cm) Mín.
50 1/8" (127,3 cm) Máx.

NOTA: Si el gabinete no tiene un marco frontal y los lados son menores de 3/4" (1,9 cm) en grosor, coloque ambos lados en línea para establecer el ancho del corte.

Si el gabinete no tiene un fondo sólido, entonces se deben instalar dos abrazaderas o correderas nivelada con el fondo del corte para sostener el peso del horno. Para hornos de dos unidades, las correderas y abrazaderas deben soportar 300 libras (135 Kg).

NOTA: Si las marcas, imperfecciones o la abertura del corte son visibles por encima del horno instalado, quizás sea necesario agregar relleno debajo de las correderas y moldura delantera hasta que se cubran.

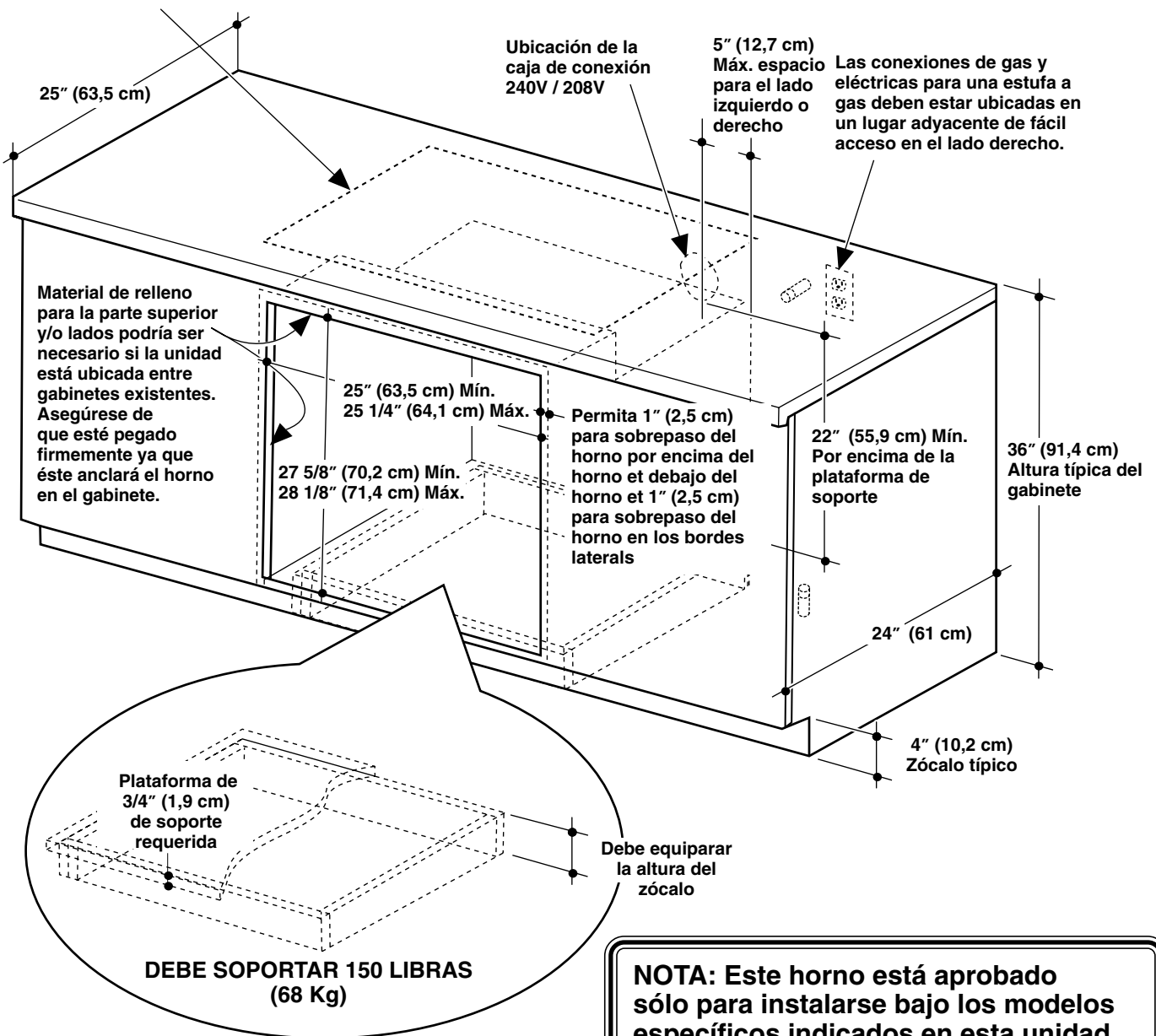


Instrucciones de instalación

A3 Corte para los hornos de una unidad— debajo de la superficie del gabinete de 27" (68,6 cm) solamente

Para los modelos JKS10, JKP30, JKP70, PK916, ZEK938 solamente.

Las estufas eléctricas o de gas se pueden instalar sobre este horno. Consulte las instrucciones de la estufa para el tamaño del corte. Consulte la etiqueta encima del horno para los modelos de estufas aprobados.



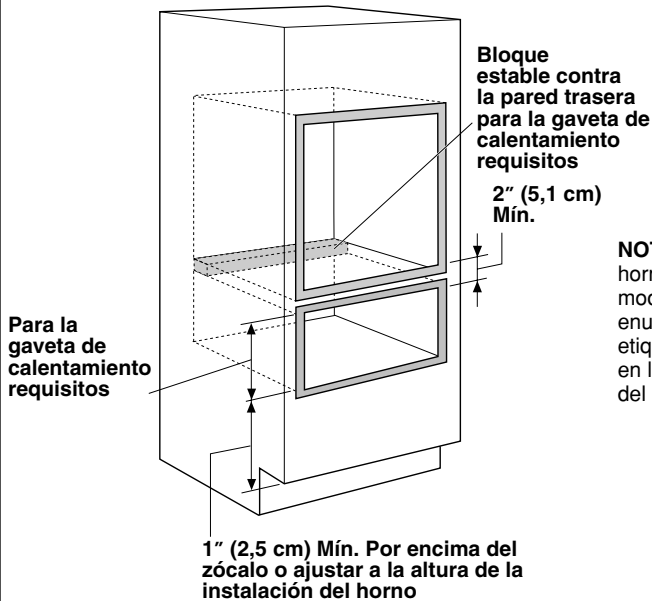
Gabinetes

A Disyuntor para 27" (68,6 cm) solamente para hornos individuales o dobles empotrados – Sobre una gaveta de calentamiento

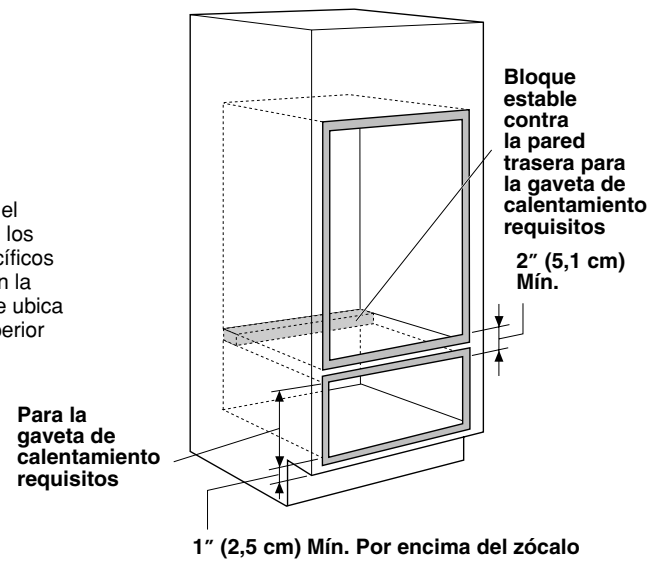
Para los modelos JKS10, JKP30, JKP35, JKP55, JKP70, JKP75, PK916, PK956, ZEK938, ZEK958 solamente.

Horno individual de 27" (68,6 cm) sobre una gaveta de calentamiento

Horno doble de 27" (68,6 cm) sobre una gaveta de calentamiento



NOTA: Instale el horno sólo con los modelos específicos enumerados en la etiqueta que se ubica en la parte superior del horno.



NOTA: Puede necesitarse una separación adicional entre los disyuntores. Verifique para asegurarse de que los apoyos del horno por encima de la ubicación de la gaveta de calentamiento no dificulten la profundidad y altura interior requerida.

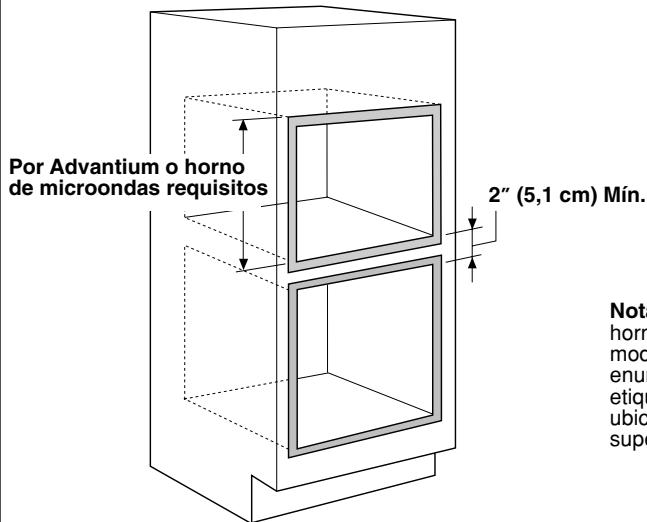
- Para la instalación de una gaveta de calentamiento por debajo de un horno individual o doble, debe instalarse un receptáculo con conexión a tierra, separado de 120V, 60Hz. Consulte las instrucciones para la instalación remitidas con la gaveta de calentamiento para obtener los requisitos específicos de instalación.

Gabinetes

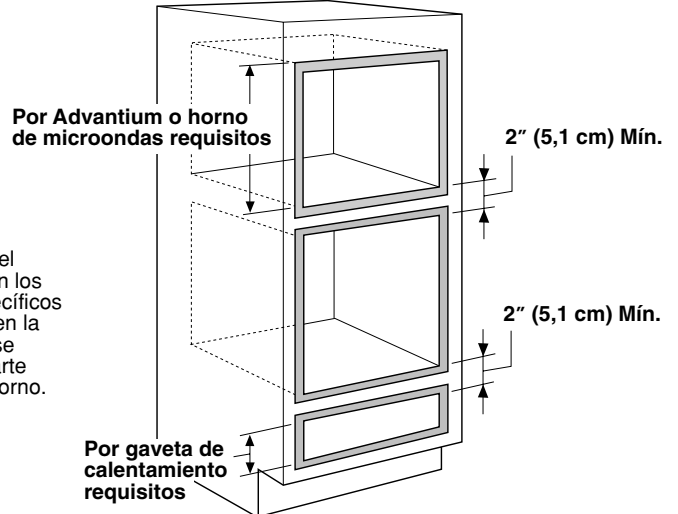
A Disyuntor para 27" (68,6 cm) Solamente para hornos individuales – Debajo de un Advantium o de un horno de microondas o Entre un horno Advantium o un horno de microondas y Gaveta de calentamiento

Para los modelos JKS10, JKP30, JKP70, PK916, ZEK938 solamente.

Horno individual de 27" (68,6 cm) debajo de un horno Advantium o un horno de microondas



Horno individual de 27" (68,6 cm) Entre un horno Advantium o un horno de microondas y una gaveta de calentamiento



Nota: Instale el horno sólo con los modelos específicos enumerados en la etiqueta que se ubica en la parte superior del horno.

NOTA: El carril del medio que separa las dos aberturas pueden necesitar ser más grande que el de 3" (7,6 cm) de mínimo que se muestra. Siempre consulte las instrucciones para la instalación que se remiten con cada producto para obtener los requisitos específicos.

Instalación para el horno combinado Advantium o horno de microondas y de pared:

Para la instalación en combinación con un horno individual de pared, utilice una caja de conexiones eléctricas separada.

- Consulte las instrucciones de instalación del horno Advantium o del horno de microondas para obtener los requisitos de ese producto.
- Un electricista autorizado debe realizar estas conexiones. Todas las conexiones eléctricas debe cumplir con las normas del Código Eléctrico Nacional o los códigos locales vigentes.

NOTA: Puede necesitarse una separación adicional entre los disyuntores. Verifique para asegurarse de que los apoyos del horno por encima de la ubicación de la gaveta de calentamiento no dificulten la profundidad y altura interior requerida. El carril del medio que separa las dos aberturas pueden necesitar ser más grande que el de 2" (5,1 cm) de mínimo que se muestra. Siempre consulte las instrucciones para la instalación que se remiten con cada producto para obtener los requisitos específicos.

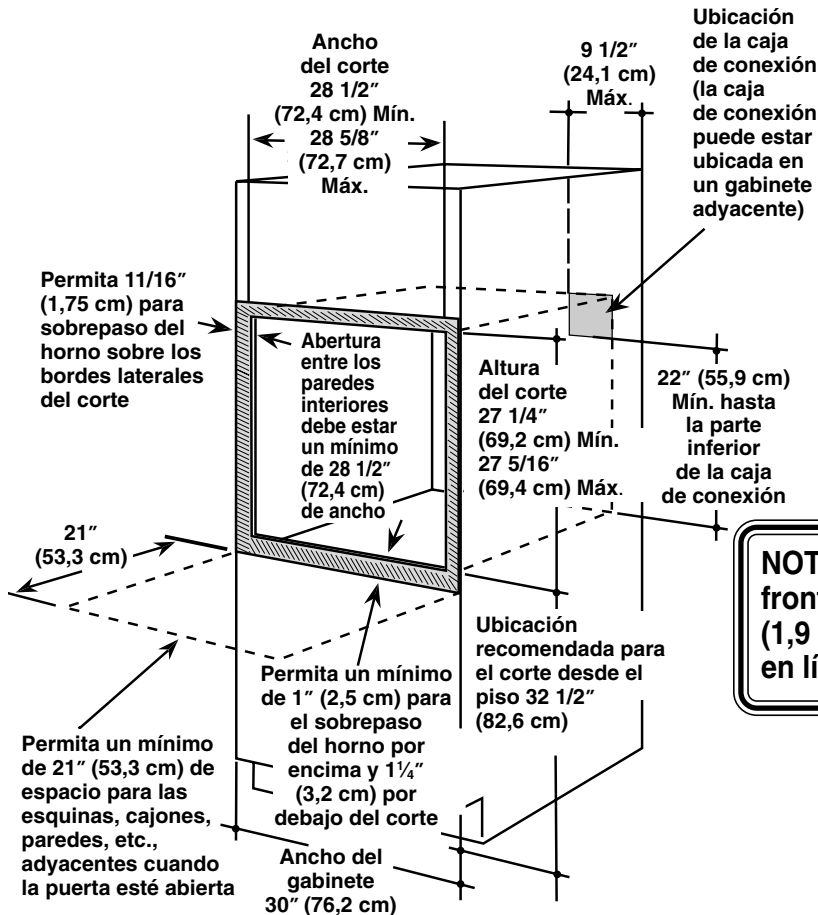
Gaveta de calentamiento combinada con Advantium o horno de microondas y horno individual:

Instale un receptáculo separado de 120V, 60Hz, adecuadamente con conexión a tierra. Consulte las instrucciones de instalación remitidas con cada producto para obtener los requisitos específicos.

Instrucciones de instalación

A Corte para los hornos de una unidad de 30" (76,2 cm) solamente

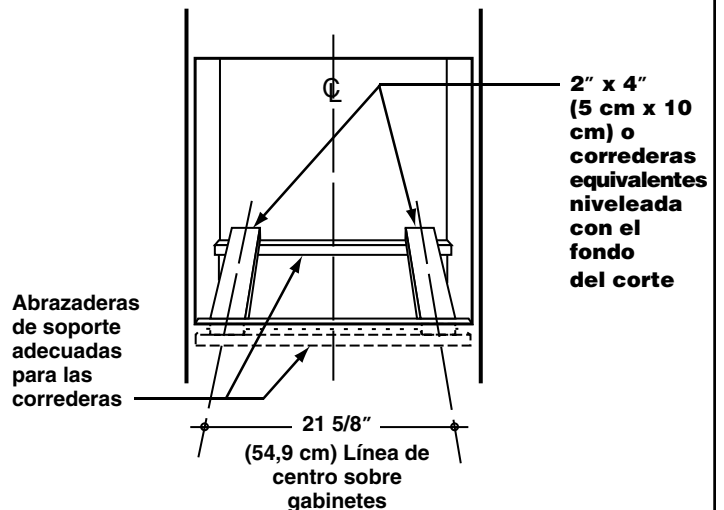
Para los modelos JTP30, JTP70, PT916, PT920, ZET938 solamente.



Ancho del gabinete	30" (76,2 cm)
Ubicación recomendada para el corte desde el piso	32 1/2" (82,6 cm)
Profundidad del corte	23 1/2" (59,7 cm) Mín.
Ancho del corte	28 1/2" (72,4 cm) Mín. 28 5/8" (72,7 cm) Máx.
Altura de corte	27 1/4" (69,2 cm) Mín. 27 5/16" (69,4 cm) Máx.

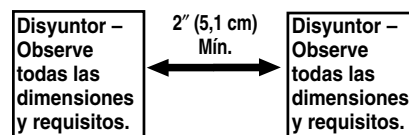
NOTA: Si el gabinete no tiene un marco frontal y los lados son menores de 3/4" (1,9 cm) en grosor, coloque ambos lados en línea para establecer el ancho del corte.

Si el gabinete no tiene un fondo sólido, entonces se deben instalar dos abrazaderas o correderas nivelada con el fondo del corte para sostener el peso del horno. Para hornos de una unidad, las correderas o abrazaderas deben soportar 150 libras (68 Kg).



NOTA: Si las marcas, imperfecciones o la abertura del corte son visibles por encima del horno instalado, quizás sea necesario agregar relleno debajo de las correderas y moldura delantera hasta que se cubran.

Instalaciones de lado a lado
 Instale dos hornos en disyuntores separados. Deje 2" (5,1 cm) mín. entre disyuntores.

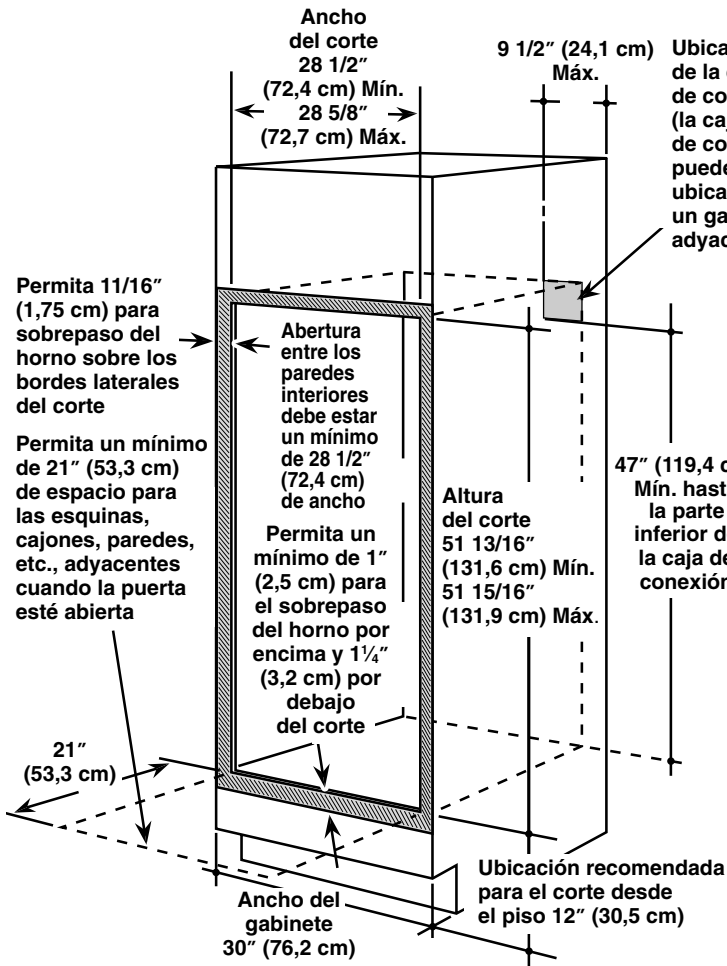


Estos hornos no están aprobados para las instalaciones apilables.

Instrucciones de instalación

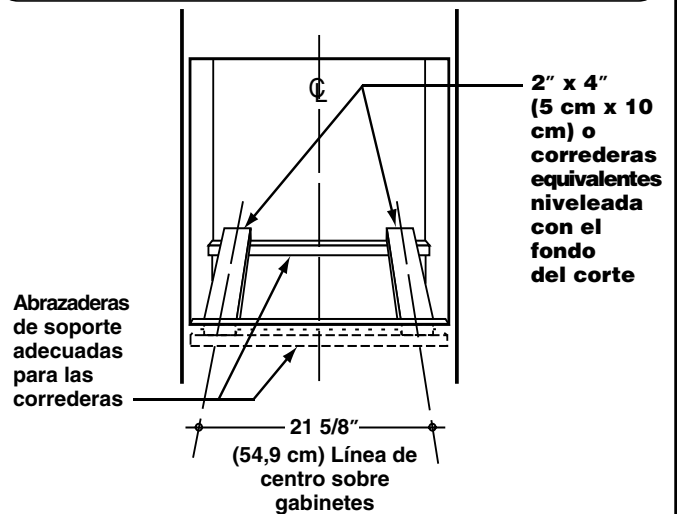
A Corte para los hornos de dos unidades de 30" (76,2 cm) solamente

Para los modelos JTP35, JTP55, JTP75, PT956, PT960, ZET958 solamente.



Ancho del gabinete	30" (76,2 cm)
Ubicación recomendada para el corte desde el piso	12" (30,5 cm)
Profundidad del corte	23 1/2" (59,7 cm) Mín.
Ancho del corte	28 1/2" (72,4 cm) Mín. 28 5/8" (72,7 cm) Máx.
Altura de corte	51 13/16" (131,6 cm) Mín. 51 15/16" (131,9 cm) Máx.

NOTA: Si el gabinete no tiene un marco frontal y los lados son menores de 3/4" (1,9 cm) en grosor, coloque ambos lados en línea para establecer el ancho del corte.



Si el gabinete no tiene un fondo sólido, entonces se deben instalar dos abrazaderas o correderas nivelada con el fondo del corte para sostener el peso del horno. Para hornos de dos unidades, las correderas y abrazaderas deben soportar 275 libras (124 Kg).

NOTA: Si las marcas, imperfecciones o la abertura del corte son visibles por encima del horno instalado, quizás sea necesario agregar relleno debajo de las correderas y moldura delantera hasta que se cubran.

Instrucciones de instalación

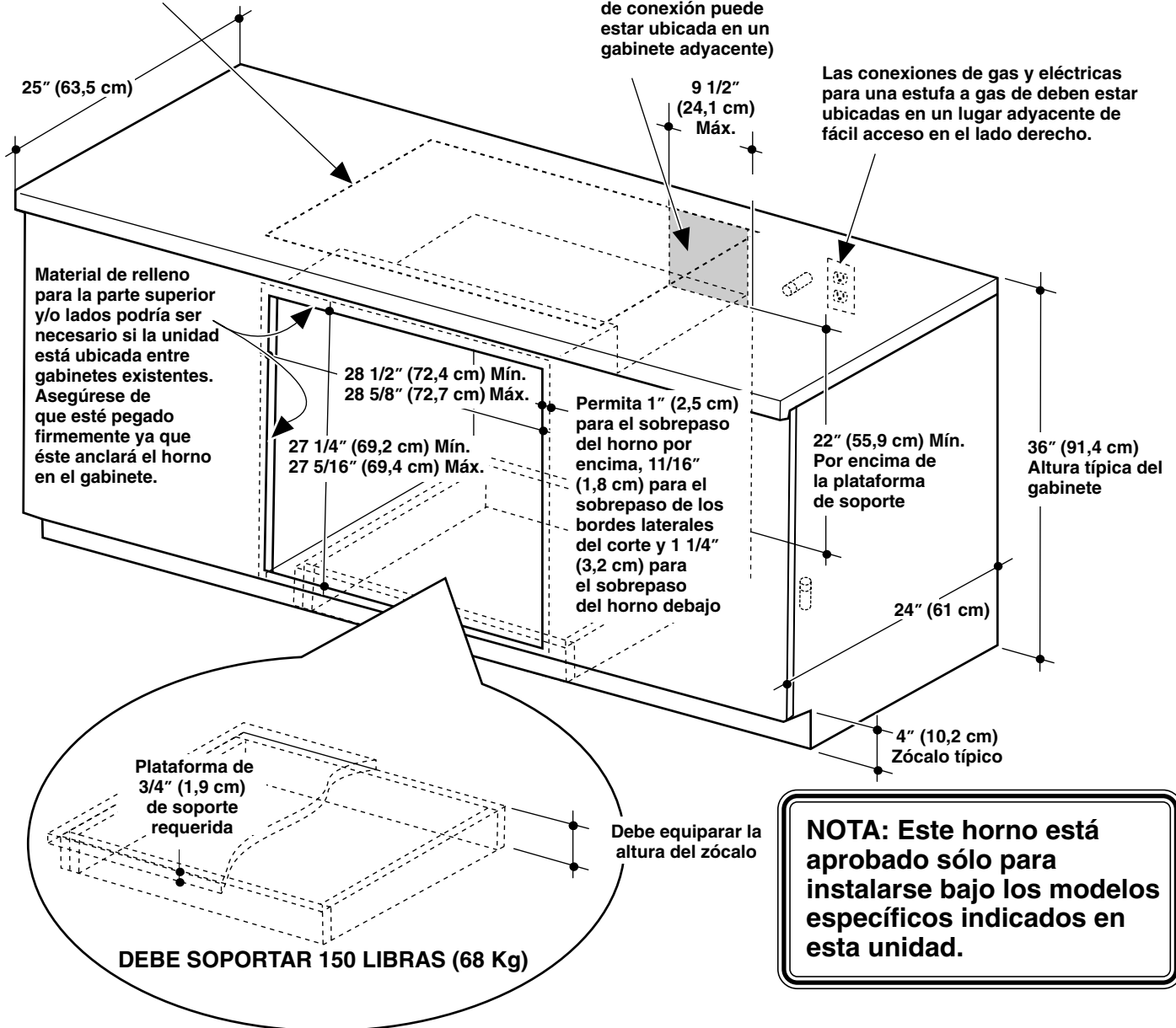
A Corte para los hornos de una unidad – debajo de la superficie del gabinete de 30" (76,2 cm) solamente

Para los modelos JTP30, JTP70, PT916, PT920, ZET938 solamente.

Las estufas eléctricas o de gas se pueden instalar sobre este horno. Consulte las instrucciones de la estufa para el tamaño del corte. Consulte la etiqueta encima del horno para los modelos de estufas aprobados.

Ubicación de la caja de conexión 240V / 208V (la caja de conexión puede estar ubicada en un gabinete adyacente)

Las conexiones de gas y eléctricas para una estufa a gas de deben estar ubicadas en un lugar adyacente de fácil acceso en el lado derecho.



Instalaciones de lado a lado

Instale dos hornos en disyuntores separados. Deje 2" (5,1 cm) mín. entre disyuntores.



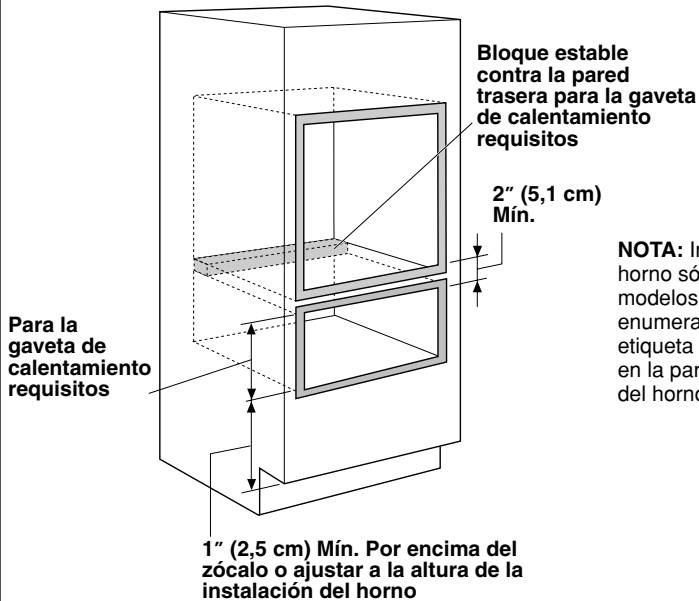
Gabinetes

A Disyuntor para 30'' (76,2 cm) solamente para hornos individuales o dobles empotrados – Sobre una gaveta de calentamiento

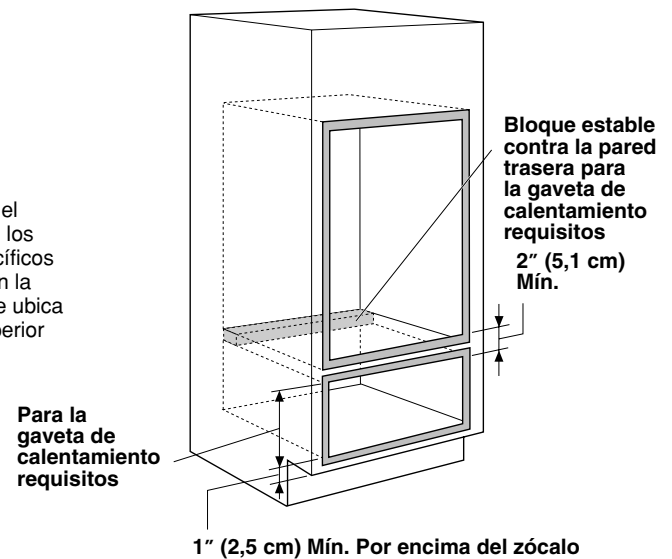
Para los modelos JTP30, JTP35, JTP55, JTP70, JTP75, PT916, PT920, PT956, PT960, ZET938, ZET958 solamente.

Horno individual de 30'' (76,2 cm) sobre una gaveta de calentamiento

Horno doble de 30'' (76,2 cm) sobre una gaveta de calentamiento



NOTA: Instale el horno sólo con los modelos específicos enumerados en la etiqueta que se ubica en la parte superior del horno.



NOTA: Puede necesitarse una separación adicional entre los disyuntores. Verifique para asegurarse de que los apoyos del horno por encima de la ubicación de la gaveta de calentamiento no dificulten la profundidad y altura interior requerida.

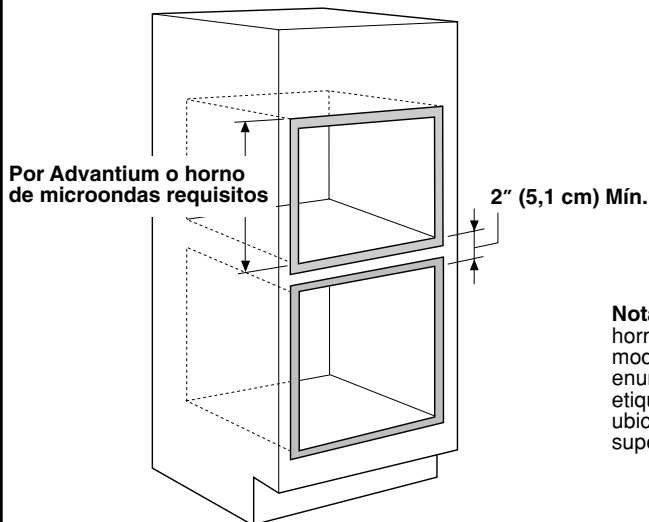
- Para la instalación de una gaveta de calentamiento por debajo de un horno individual o doble, debe instalarse un receptáculo con conexión a tierra, separado de 120V, 60Hz. Consulte las instrucciones para la instalación remitidas con la gaveta de calentamiento para obtener los requisitos específicos de instalación.

Gabinetes

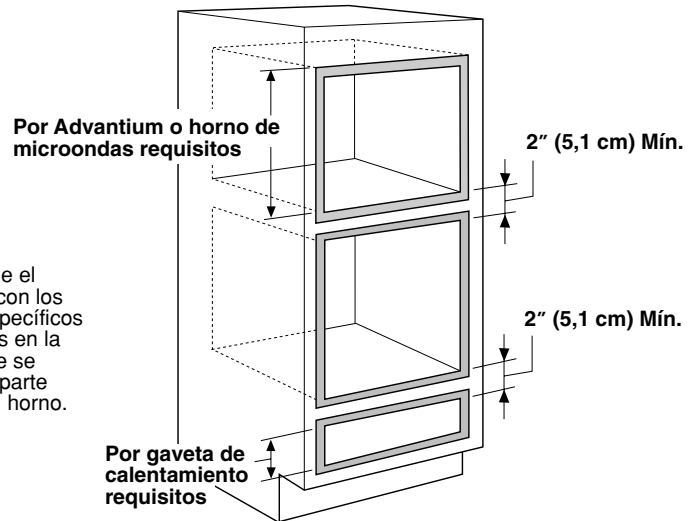
A Disyuntor para 30" (76,2 cm) Solamente para hornos individuales – Debajo de un Advantium o de un horno de microondas o Entre un horno Advantium o un horno de microondas y Gaveta de calentamiento

Para los modelos JTP30, JTP70, PT916, PT920, ZET938 solamente.

Horno individual de 30" (76,2 cm) debajo de un horno Advantium o un horno de microondas



Horno individual de 30" (76,2 cm) Entre un horno Advantium o un horno de microondas y una gaveta de calentamiento



Nota: Instale el horno sólo con los modelos específicos enumerados en la etiqueta que se ubica en la parte superior del horno.

NOTA: El carril del medio que separa las dos aberturas pueden necesitar ser más grande que el de 2" (5,1 cm) de mínimo que se muestra. Siempre consulte las instrucciones para la instalación que se remiten con cada producto para obtener los requisitos específicos.

Instalación para el horno combinado Advantium o horno de microondas y de pared:

Para la instalación en combinación con un horno individual de pared, utilice una caja de conexiones eléctricas separada.

- Consulte las instrucciones de instalación del horno Advantium o del horno de microondas para obtener los requisitos de ese producto.
- Un electricista autorizado debe realizar estas conexiones. Todas las conexiones eléctricas debe cumplir con las normas del Código Eléctrico Nacional o los códigos locales vigentes.

NOTA: Puede necesitarse una separación adicional entre los disyuntores. Verifique para asegurarse de que los apoyos del horno por encima de la ubicación de la gaveta de calentamiento no dificulten la profundidad y altura interior requerida. El carril del medio que separa las dos aberturas pueden necesitar ser más grande que el de 2" (5,1 cm) de mínimo que se muestra. Siempre consulte las instrucciones para la instalación que se remiten con cada producto para obtener los requisitos específicos.

Gaveta de calentamiento combinada con Advantium o horno de microondas y horno individual:

Instale un receptáculo separado de 120V, 60Hz, adecuadamente con conexión a tierra. Consulte las instrucciones de instalación remitidas con cada producto para obtener los requisitos específicos.

Instrucciones de instalación

B Conexiones eléctricas

ATENCIÓN AL INSTALADOR:

Todos los hornos eléctricos de pared deben ser cableados directamente en una caja de conexión. Una “enchufe-receptáculo” NO ES permitido en estos productos.

NO acorte el conducto flexible. La abrazadera para controlar la presión debe estar firmemente adherida a la caja de conexión y el conductor flexible debe estar firmemente adherido a la abrazadera. Si el conducto flexible no se ajusta al interior de la abrazadera, no instale el horno hasta que obtenga el tamaño apropiado.

NOTA AL ELECTRICISTA: Los 3 alambres eléctricos proporcionados con este aparato son reconocidos por la UL para conexiones a cableado residencial de mayor calibre. El aislante de estos 3 alambres supera las especificaciones de temperatura indicadas para cableado residencial. La capacidad actual de conducción del cable depende del calibre del cableado y de la clasificación de la temperatura del aislamiento alrededor del alambre.

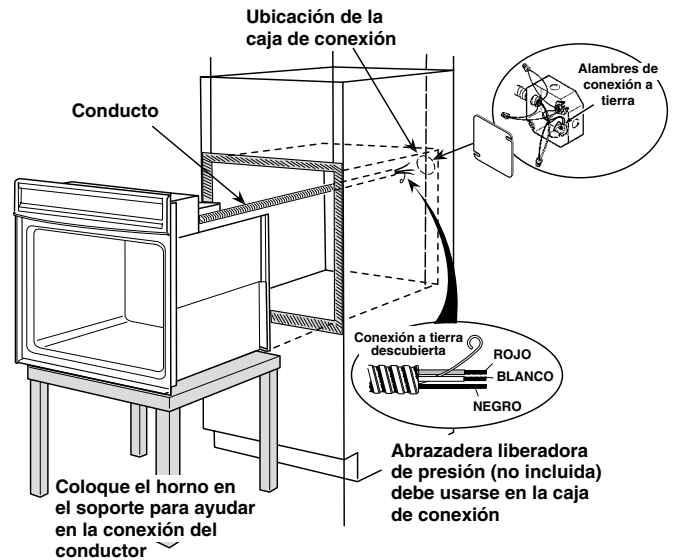


ADVERTENCIA:

Una conexión inapropiada del cableado de aluminio residencial con cobre, podría resultar en un peligro eléctrico o hasta en incendio. Use solamente conectores diseñados para unir cobre con aluminio y siga las recomendaciones del fabricante con mucho cuidado.

B1 Desconecte el interruptor del circuito o retire los fusibles que alimentan el circuito ramal del horno.

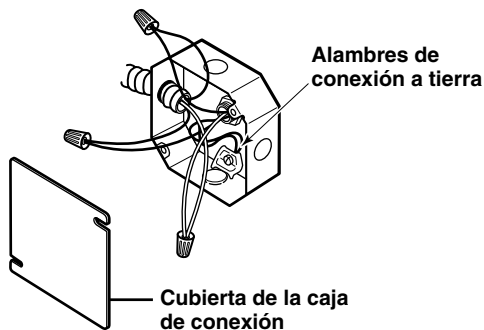
B2 Con el horno enfrente de la abertura del gabinete, sobre una mesa o plataforma conecte el conducto flexible a la caja de conexión como se muestra en la figura. Coloque el conducto de manera que quede apoyado sobre la parte superior del horno en forma de bucle natural cuando se instale el horno. Usted necesitará comprar una abrazadera liberadora de presión para completar la conexión del conducto hacia la caja de conexión.



Instrucciones de instalación

B3 Conexión para nueva construcción y de circuito ramal de cuatro conductores

- Cuando se instale en una construcción nueva, o
 - Cuando se instale en una casa móvil, o
 - Al instalar en un vehículo de recreación, o
 - Cuando los códigos locales no permitan hacer conexión a tierra a través de un cable neutro:
- a. Corte la punta del alambre neutro (blanco) del empalme. Pele la punta del alambre neutro (blanco) hasta exponer la extensión apropiado del conductor.

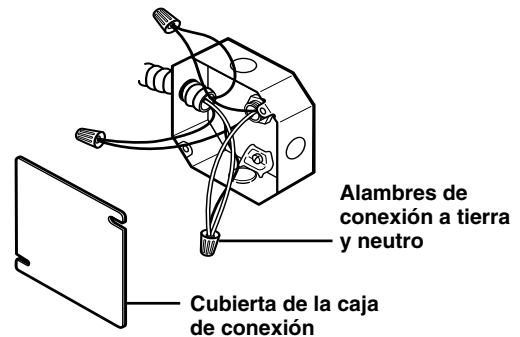


- b. Conecte el alambre de conexión a tierra (verde o cobre descubierto) de acuerdo a los códigos locales. Si el conductor de conexión a tierra de la residencia es de aluminio, consulte la ADVERTENCIA en la página 14.
- c. Conecte el alambre neutro del horno (blanco) al circuito ramal neutro (blanco o gris) de acuerdo con los códigos locales, usando una tuerca para alambres.
- d. Conecte el alambre rojo del horno al alambre rojo del circuito y el alambre negro del horno al alambre negro del circuito de acuerdo con los códigos locales, usando las tuercas para alambres. Si los alambres rojos, negros o blancos de la residencia son conductores de aluminio, consulte la ADVERTENCIA en la página 14.
- e. Instale la cubierta de la caja de conexión.

B4 Conexión de circuito ramal de tres conductores

Cuando conecte un circuito ramal de 3 conductores, si los códigos locales lo permiten:

- a. Conecte el alambre descubierto del horno con el alambre neutro (blanco) del circuito ramal (blanco o gris), usando una tuerca para alambres.



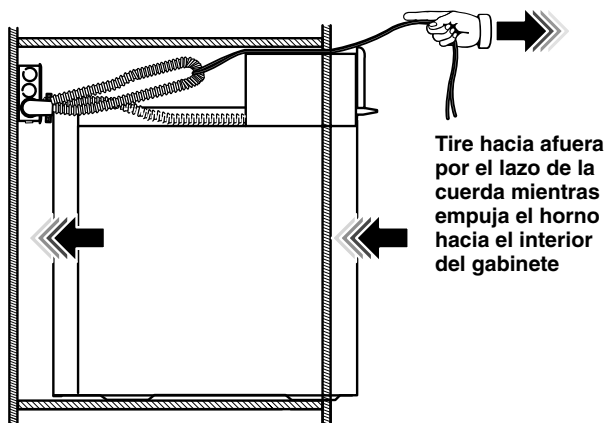
- b. Conecte el alambre rojo del horno al alambre rojo del circuito ramal, usando una tuerca para alambres.
- c. Conecte el alambre negro del horno al alambre negro del circuito ramal de acuerdo a los códigos locales, usando una tuerca para alambre. Si los alambres rojos, negros o blancos de la residencia son conductores de aluminio, consulte la ADVERTENCIA en la página 14.
- d. Instale la cubierta de la caja de conexión.

Instrucciones de instalación

C Posición firme del horno en la abertura

C1 Cómo deslizar el horno en el interior de la abertura

- a. Coloque (sin atar) una cuerda de 36" (91 cm) alrededor del conductor antes de deslizar el horno en su lugar. Esto evitará que el conducto se caiga detrás del horno.

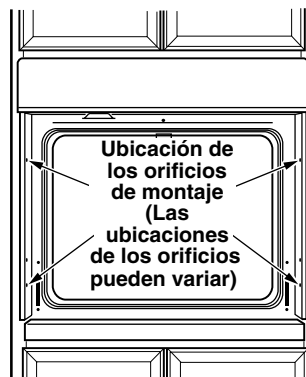


- b. Levante el horno hacia el interior del corte en el gabinete usando la abertura del horno para agarrarlo. Empuje contra el marco frontal del horno cuidadosamente. No empuje contra los bordes externos.
- c. A medida que el horno se desliza hacia atrás, tire de la cuerda para que el conducto quede encima del horno de forma natural.
- d. Cuando esté seguro de que el conducto está fuera del camino, deslice el horno 3/4 del trayecto hacia atrás y hacia el interior de la abertura. Retire la cuerda halando de un extremo.

C2 Cómo taladrar los orificios piloto y montar el horno

NOTA: Antes de perforar los orificios piloto, cerciórese de que el horno se empujó hasta el fondo y de que esté centrado.

- a. Perfore a través de los orificios de montaje (arriba y abajo) de la moldura lateral, para los tornillos #8 que se proporcionan.



Los tornillos deben estar a un mínimo de 1/4" (6 mm) del frente del corte.

ADVERTENCIA: Se deben usar tornillos de montaje. No hacerlo podría resultar en que el horno se caiga del gabinete, causando lesiones serias.

- b. Ajuste bien el horno al gabinete con los tornillos que se proporcionan.

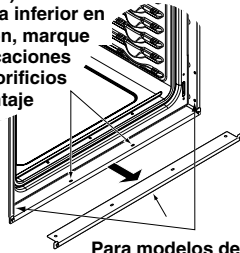
NOTA: Si el gabinete es en tabla aglomerada debe usar tornillos #8 x 3/4". Los puede adquirir en cualquier ferretería.

Instrucciones de instalación

C3 Preparación para la instalación de la moldura de fondo

- Con el horno instalado, tome la moldura de fondo y céntrela en el borde frontal del fondo de la abertura del gabinete.
- Usando la moldura como una plantilla, marque el centro de cada ranura (dos en total) donde los orificios de montaje serán taladrados.
- Retire la moldura.
- Taladre los orificios piloto en el centro de cada marca indicada con la plantilla.

Para modelos de 27" (68,6 cm) con moldura inferior en posición, marque (2) ubicaciones de los orificios de montaje aquí



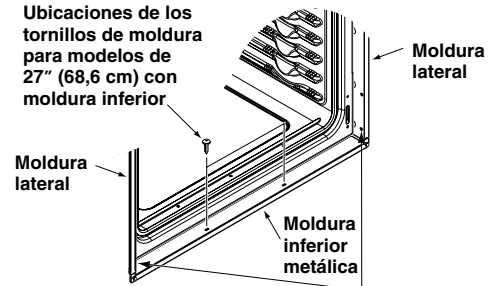
* Retire la moldura inferior antes de pretaladrar los orificios de montaje

Para modelos de 30" (76,2 cm) con moldura inferior en posición, marque (2) ubicaciones de los orificios de montaje aquí

C4 Cómo instalar la moldura de fondo metálica

- Coloque la moldura de fondo centrada sobre los orificios pre-taladrados. Adhiera los bordes de la moldura en la parte inferior con una cinta adhesiva para mantener la alineación.
- Usando los dos tornillos de la moldura proporcionados, asegure la moldura de fondo al borde del fondo del gabinete.

Ubicaciones de los tornillos de moldura para modelos de 27" (68,6 cm) con moldura inferior



Ubicaciones de los tornillos de moldura para modelos de 30" (76,2 cm) con moldura inferior

IMPORTANTE: Si alguna vez esta unidad se retira del gabinete o para reparación, primero se debe retirar la moldura o de lo contrario se podría dañar.

Instrucciones de instalación

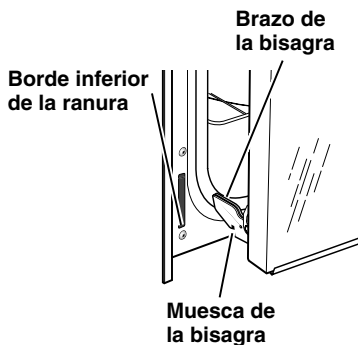
D Cómo instalar la puerta del horno

NOTA: La puerta del horno es pesada. Quizás necesite ayuda para levantar y deslizar la puerta hacia abajo sobre las bisagras. No levante la puerta por la empuñadura.

- D1** Levante la puerta del horno colocando una mano en cada lado. La puerta es pesada y quizás necesite ayuda. No levante la puerta por la empuñadura.

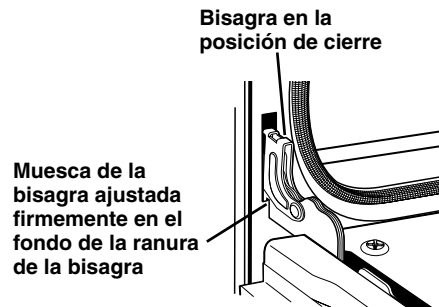


- D2** Con la puerta en el mismo ángulo que la posición para remoción, que está cerrado la mayor parte del tiempo, coloque la muesca del brazo de la bisagra en el interior del borde inferior de la ranura de la bisagra. La muesca del brazo de la bisagra debe apoyarse completamente al fondo de la ranura.



- D3** Abra la puerta del horno hasta el máximo.

- D4** Empuje los topes de las bisagras contra el marco frontal de la cavidad del horno, hasta alcanzar la posición de cierre.



- D5** Cierre la puerta del horno.

Instrucciones de instalación

Lista de control antes de la prueba

Retire cualquier cinta de protección y etiqueta que todavía esté presente.

Revise para asegurarse de que todos los alambres estén bien conectados y no aplastados o en contacto con partes móviles.

Inspeccione la moldura de fondo para cerciorarse de que está instalada apropiadamente (ver página 17).

Inspeccione para cerciorarse de que los tornillos de montura están instalados y apretados hasta quedar al mismo nivel de la moldura lateral (ver página 16).

Lista de control para la operación

Retire cualquier artículo del interior del horno.

Cerciórese de que el conducto está conectado firmemente a la caja de conexión eléctrica.

Conecte la energía hacia el horno. (Consulte su Manual del propietario.) Verifique que las unidades de horneado y asado, y todas las funciones de cocción operan correctamente.

Cerciórese de que el interruptor de circuito no se haya disparado o de que los fusibles de la casa no estén quemados.

Consulte el manual del propietario para una lista de problemas eventuales.

NOTA AL ELECTRICISTA: Los alambres eléctricos proporcionados con este aparato son reconocidos por la UL para conexiones cableado residencial de mayor calibre. El aislante de estos alambres supera las especificaciones indicadas para cableado residencial. La capacidad actual de conducción del cable depende de la clasificación de la temperatura del aislamiento alrededor del alambre.

NOTA: CABLEADO DE ALUMINIO

A. ADVERTENCIA:
UNA CONEXIÓN INAPROPIADA DEL CABLEADO DEL ALUMINIO RESIDENCIAL CON EL COBRE, PODRÍA RESULTAR EN PROBLEMAS SERIOS O EN INCENDIO.

B. Conecte los alambres de cobre a los alambres de aluminio usando conectores especiales diseñados y aprobados por UL para unir cobre y aluminio y siga cuidadosamente el procedimiento para hacer las conexiones recomendadas por el fabricante.

NOTA: El alambrado que se use, la ubicación y el tipo de conexión, etc., deben cumplir con las buenas prácticas de alambrado y los códigos locales.

Notas
