



# Bottom Freezer REFRIGERATORS

**SAFETY INFORMATION** ..... 3

**OPERATING INSTRUCTIONS**

Features..... 5

Controls..... 7

Dispenser\*..... 9

Water Filter..... 10

Shelves and Bins..... 11

Pans..... 12

Freezer Drawer\*..... 13

Freezer Compartment..... 14

Automatic Icemaker..... 15

**CARE AND CLEANING** ..... 16

Replacing the Lights..... 17

**INSTALLATION INSTRUCTIONS**

Preparing to Install the Refrigerator..... 18

Appliance Dimensions..... 19

Installing the Refrigerator..... 20

Installing the Water Line..... 34

**TROUBLESHOOTING TIPS**

Normal Operating Conditions..... 37

Troubleshooting..... 38

**WARRANTY**..... 41

**CONSUMER SUPPORT**

XWF Water Filter Cartridge..... 42

Performance Data Sheet..... 43

Consumer Support..... 44

## OWNER'S MANUAL & INSTALLATION INSTRUCTIONS

GE, GE Profile and GE Café Models 18, 19, 21, 24, 25, 26 & 27 cuft

## ENGLISH/FRANÇAIS/ESPAÑOL

\*Select Models Only

Write the model and serial numbers here:

Model # \_\_\_\_\_

Serial # \_\_\_\_\_

Find these numbers on a label on the left side, near the middle of the refrigerator compartment.

## **THANK YOU FOR MAKING GE APPLIANCES A PART OF YOUR HOME.**

---

Whether you grew up with GE Appliances, or this is your first, we're happy to have you in the family.

We take pride in the craftsmanship, innovation and design that goes into every GE Appliances product, and we think you will too. Among other things, registration of your appliance ensures that we can deliver important product information and warranty details when you need them.

Register your GE appliance now online. Helpful websites and phone numbers are available in the Consumer Support section of this Owner's Manual. You may also mail in the pre-printed registration card included in the packing material.



# IMPORTANT SAFETY INFORMATION

## READ ALL INSTRUCTIONS BEFORE USING THE APPLIANCE

**▲ WARNING** To reduce the risk of fire, explosion, electric shock, or injury when using your refrigerator, follow these basic safety precautions:

- This refrigerator must be properly installed and located in accordance with the Installation Instructions before it is used.
- Unplug the refrigerator before making repairs or cleaning.
 

**NOTE:** Power to the refrigerator cannot be disconnected by any setting on the control panel.

**NOTE:** Repairs must be performed by a qualified Service Professional.
- Replace all parts and panels before operating.
- Do not use an extension cord.
- Do not store or use gasoline or other flammable vapors and liquids in the vicinity of this or any other appliance.
- Do not store explosive substances such as aerosol cans with a flammable propellant in this appliance.
- To prevent suffocation and entrapment hazards to children, remove the fresh food and freezer doors from any refrigerator before disposing of it or discontinuing its use.
- To avoid serious injury or death, children should not stand on, or play in or with the appliance.
- Children and persons with reduced physical, sensory or mental capabilities or lack of experience and knowledge can use this appliance only if they are supervised or have been given instructions on safe use and understand the hazards involved.
- This appliance is intended to be used in household and similar applications such as: staff kitchen areas in shops, offices and other working environments; farm houses; by clients in hotels, motels, bed & breakfast and other residential environments; catering and similar non-retail applications.
- Connect to potable water supply only. A cold water supply is required for automatic icemaker operation. The water pressure must be between 40 and 120 psi (275-827 kilopascals).

**▲ CAUTION** To reduce the risk of injury when using your refrigerator, follow these basic safety precautions.

- Do not clean glass shelves or covers with warm water when they are cold. Glass shelves and covers may break if exposed to sudden temperature changes or impact, such as bumping or dropping. Tempered glass is designed to shatter into many small pieces if it breaks.
- Keep fingers out of the “pinch point” areas; clearances between the doors and between the doors and cabinet are necessarily small. Be careful closing doors when children are in the area.
- Do not touch the cold surfaces in the freezer compartment when hands are damp or wet, skin may stick to these extremely cold surfaces.
- Do not refreeze frozen foods which have thawed completely.
- In refrigerators with automatic icemakers, avoid contact with the moving parts of the ejector mechanism, or with the heating element that releases the cubes. Do not place fingers or hands on the automatic ice making mechanism while the refrigerator is plugged in.
- Use a sturdy glass when dispensing ice (on models with ice dispenser)

### STATE OF CALIFORNIA PROPOSITION 65 WARNINGS

**▲ WARNING** This product contains one or more chemicals known to the State of California to cause cancer and birth defects or other reproductive harm.

## INSTALLATION

**▲ WARNING**  **EXPLOSION HAZARD**

Keep flammable materials and vapors, such as gasoline, away from refrigerator. Failure to do so can result in fire, explosion, or death.

# READ AND SAVE THESE INSTRUCTIONS

# IMPORTANT SAFETY INFORMATION

## READ ALL INSTRUCTIONS BEFORE USING THE APPLIANCE

### CONNECTING ELECTRICITY

#### **⚠ WARNING** **ELECTRICAL SHOCK HAZARD**

Plug into a grounded 3-prong outlet  
 Do not remove the ground prong  
 Do not use an adapter  
 Do not use an extension cord.  
 Failure to follow these instructions can result in death, fire, or electrical shock.

**Do not, under any circumstances, cut or remove the third (ground) prong from the power cord. For personal safety, this appliance must be properly grounded.**

The power cord of this appliance is equipped with a 3-prong (grounding) plug which mates with a standard 3-prong (grounding) wall outlet to minimize the possibility of electric shock hazard from this appliance.

Have the wall outlet and circuit checked by a qualified electrician to make sure the outlet is properly grounded.

Where a standard 2-prong wall outlet is encountered, it is your personal responsibility and obligation to have it replaced with a properly grounded 3-prong wall outlet. Do not use an adapter.

The refrigerator should always be plugged into its own individual electrical outlet which has a voltage rating that matches the rating plate.

A 115 Volt AC, 60 Hz, 15- or 20-amp fused, grounded electrical supply is required. This provides the best performance and also prevents overloading house wiring circuits which could cause a fire hazard from overheated wires.

Never unplug your refrigerator by pulling on the power cord. Always grip plug firmly and pull straight out from the outlet.

Immediately discontinue use of a damaged supply cord. If the supply cord is damaged, it must be replaced by a qualified service professional with an authorized service part from the manufacturer.

When moving the refrigerator away from the wall, be careful not to roll over or damage the power cord.

### PROPER DISPOSAL OF YOUR OLD REFRIGERATOR

#### **⚠ WARNING** **SUFFOCATION AND ENTRAPMENT HAZARD**

Failure to follow these disposal instructions can result in death or serious injury

**IMPORTANT:** Child entrapment and suffocation are not problems of the past. Junked or abandoned refrigerators are still dangerous even if they will sit for “just a few days.” If you are getting rid of your old refrigerator, please follow the instructions below to help prevent accidents.

#### **Before You Throw Away Your Old Appliance**

- Take off the fresh food and freezer doors.
- Leave the shelves in place so that children may not easily climb inside.

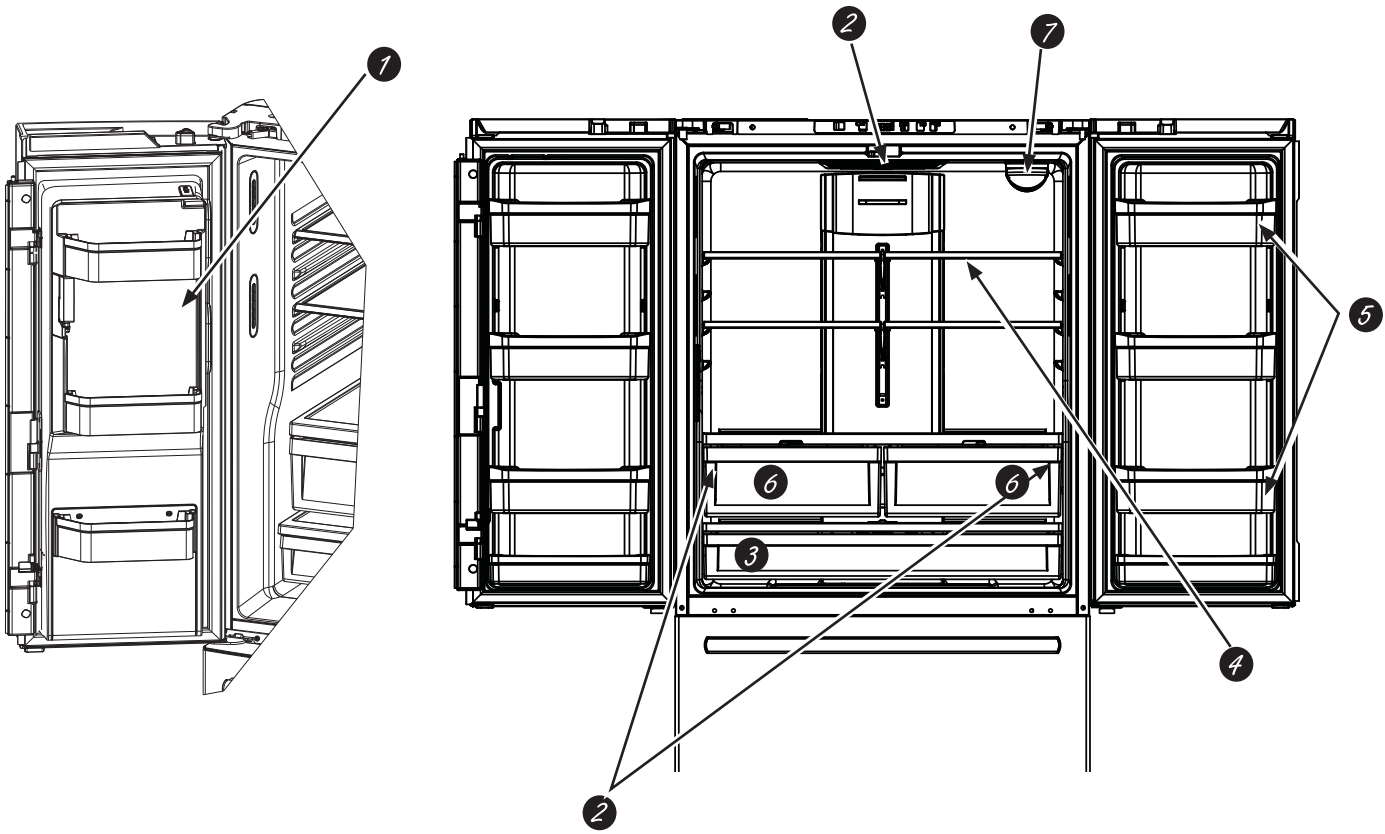
#### **Refrigerant and Foam Disposal:**

Dispose of appliance in accordance with Federal and Local Regulations. Flammable insulation material used requires special disposal of your appliance. Contact your local authorities for the environmentally safe disposal of your appliance.

## READ AND SAVE THESE INSTRUCTIONS



## French Door Models



**1 Space-saving icemaker (on some models)**  
Icemaker and bin are located on the door creating more usable storage space.

**2 LED lighting**  
LED lights in the fresh food compartment are located at the top center and on the left and right sides of climate zone pans. LED lights are also located in the freezer; see pages 13 and 14.

**3 Full-width drawer**  
A full-width drawer that can accommodate larger items is located at the bottom of the fresh food compartment.

**4 QuickSpace™ shelf (on some models)**  
Functions as a normal full-sized shelf when needed and easily slides back to store tall items below.

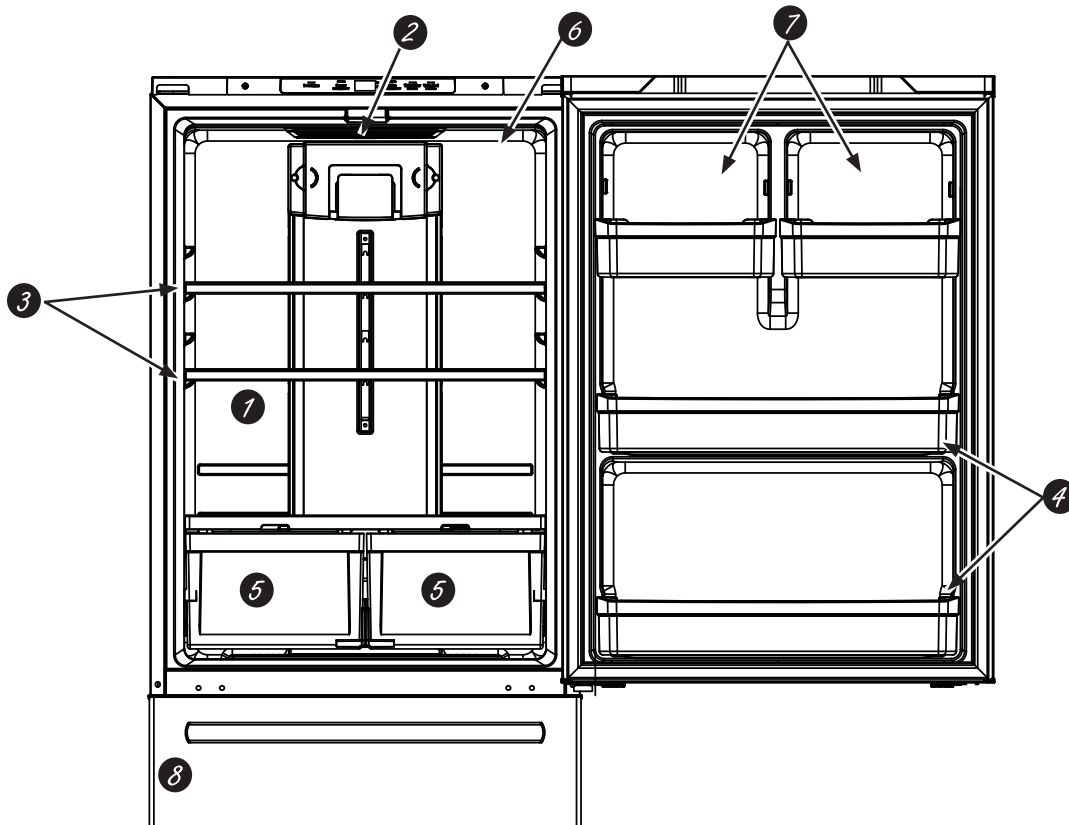
**5 Removable/adjustable door bins**  
Can be moved up or down to accommodate your needs.

**6 Climate zone drawers**  
Separate pans for produce storage.

**7 Water filter**  
Accessible for easy replacement.

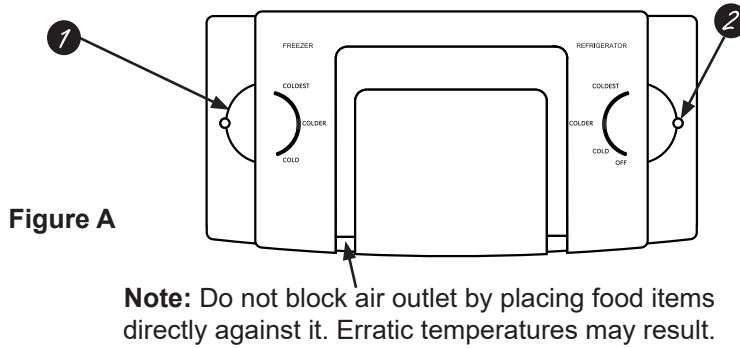
# Features

## Single Door Models



- 1 Floating snack pan**  
Can be moved to different locations to best serve your needs.
- 2 LED lighting**  
LED light is located at the top of the fresh food compartment. LED lights are also located in the freezer; see pages 13 and 14.
- 3 Full-width shelves**  
Full-width shelves that can accommodate larger items.
- 4 Full-width gallon door bins**  
Nonadjustable full-width door bins that will hold gallon containers.
- 5 Climate zone pans**  
Separate bins for produce storage.
- 6 Water filter (on some models)**  
Accessible for easy replacement.
- 7 Adjustable door bins**  
Can be moved up or down to accommodate your needs.
- 8 Icemaker (on some models)**  
Icemaker is located in the freezer on some models. Icemaker Kit IM4D is available for models that are icemaker-ready. For installation instructions see the IM4D owner's manual found at [www.GEAppliances.com](http://www.GEAppliances.com).

## GBE21D, GBE21A Internal Control



Knob Position Temperature Guide		
	Refrigerator	Freezer
Coldest	34°F (1.1°C)	Coldest -6°F (-21.1°C)
Colder	37°F (2.8°C)	Colder 0°F (-17.8°C)
Cold	44°F (6.7°C)	Cold 6°F (-14.4°C)

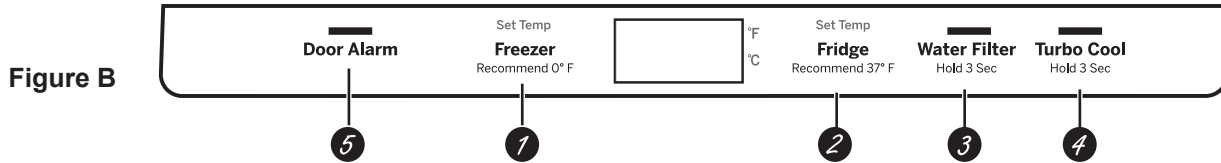
**1 Freezer Compartment Temperature Control**  
Adjust freezer compartment temperature. The freezer temperature is preset in the factory at the **Colder** position. Allow 24 hours for temperature to stabilize to the preset recommended setting.

**2 Fresh Food Compartment Temperature Control**  
Adjust fresh food compartment temperature. The fresh food temperature is preset in the factory at the **Colder** position. Allow 24 hours for temperature to stabilize to the preset recommended setting.

**NOTE:** Power to the refrigerator cannot be disconnected by any setting on the control panel.

## GDE21D, GDE21E, PDE21K, GDE25E, GNE21D, GNE21F, PNE21K, PNE21N, GWE19J, GNE25D, GNE25J, PNE25J, CNE25S, PNE25N, GNE27J, GNE27E

### Top Control



**1 Freezer Compartment Temperature Control**  
Adjust freezer compartment temperature. The freezer temperature is preset in the factory at **0°F (-17.8°C)**. Allow 24 hours for temperature to stabilize to the preset recommended setting.

**2 Fresh Food Compartment Temperature Control**  
Adjust fresh food compartment temperature. The fresh food temperature is preset in the factory at **37°F (2.8°C)**. Allow 24 hours for temperature to stabilize to the preset recommended setting.

**3 Water Filter**  
Press and hold 3 seconds to reset the Water Filter.

**4 Turbo Cool**  
To set the **TurboCool™**, press the **Turbo Cool** pad for 3 seconds. The display will show **tc**. **TurboCool™** rapidly cools the refrigerator compartment in order to more quickly cool foods. Use **TurboCool™** when adding a large amount of the food to the refrigerator compartment, putting away foods after they have been sitting out at room temperature, or when putting away warm leftovers. It can also be used if the refrigerator has been without power for an extended period.

**NOTE:** The refrigerator temperature cannot be changed during **TurboCool™**. The freezer temperature is not affected during **Turbo Cool**. When opening the refrigerator door during **TurboCool™**, the fans will continue to run if they have cycled on.

**5 Door Alarm**  
To set the alarm, press the **Door Alarm** pad. This alarm will sound if either door is open for more than 2 minutes. The beeping stops when you close the door.

**NOTE:** To put the refrigerator control in the **OFF** position, simultaneously touch the words **Freezer** and **Fridge** for 3 seconds. Power to the refrigerator cannot be disconnected by any setting on the control panel.

**Changing °F to °C or °C to °F:** Press and hold the "DOOR ALARM" and "FREEZER" buttons simultaneously for 5 seconds to set °C to °F or °F to °C.

# Controls

## GYE18J, PYE18H, GFE24J, PFE24J, CFE24S, PFE24H, GFE26J External Control

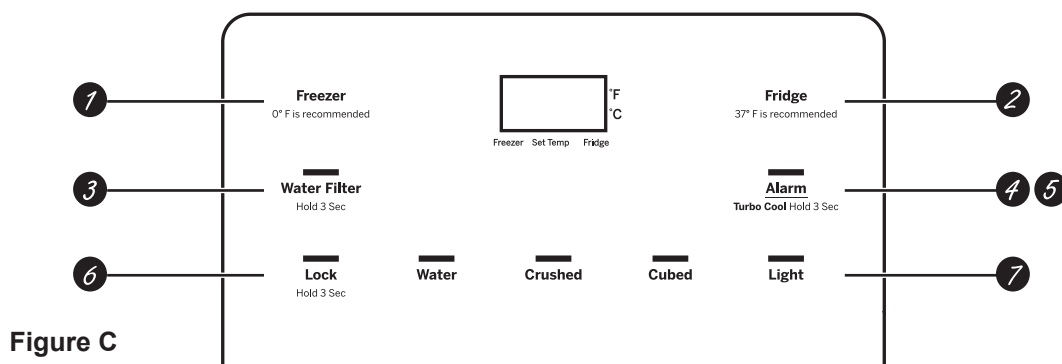


Figure C

- 1 Freezer Compartment Temperature Control**  
Adjust freezer compartment temperature. The freezer temperature is preset in the factory at **0°F (-17.8°C)**. Allow 24 hours for temperature to stabilize to the preset recommended setting.
- 2 Fresh Food Compartment Temperature Control**  
Adjust fresh food compartment temperature. The fresh food temperature is preset in the factory at **37°F (2.8°C)**. Allow 24 hours for temperature to stabilize to the preset recommended setting.
- 3 Water Filter**  
Press and hold 3 seconds to reset the Water Filter.
- 4 Turbo Cool**  
To set the **Turbo Cool™**, press the **Alarm** pad for 3 seconds. The display will show **tc**. **Turbo Cool™** rapidly cools the refrigerator compartment in order to more quickly cool foods. Use **Turbo Cool™** when adding a large amount of the food to the refrigerator compartment, putting away foods after they have been sitting out at room temperature, or when putting away warm leftovers. It can also be used if the refrigerator has been without power for an extended period.

**NOTE:** The refrigerator temperature cannot be changed during **Turbo Cool™**. The freezer temperature is not affected during **Turbo Cool**. When opening the refrigerator door during **Turbo Cool™**, the fans will continue to run if they have cycled on.

- 5 Alarm**  
Press the **Alarm** pad to toggle the door alarm between off and on. The alarm will sound if either door is left open for more than 2 minutes. The beeping stops when you close the door.
- 6 Lock**  
Press and hold the **Lock** pad for 3 seconds to lock out ice and water dispenser and all other controls. Press and hold to unlock the controls.
- 7 LED dispenser Light**  
Press the **Light** pad to turn your dispenser light on and off.

**NOTE:** To put the refrigerator control in the **OFF** position, simultaneously touch the words **Freezer** and **Fridge** for 3 seconds. Power to the refrigerator cannot be disconnected by any setting on the control panel.

**Changing °F to °C or °C to °F:** Press and hold the "FREEZER" and "ALARM" buttons simultaneously for 5 seconds to set °C to °F or °F to °C.

**NOTE:** The refrigerator is shipped with protective film covering the temperature controls. If this film was not removed during installation, remove it now.

## Sabbath Modes (on some models)

### Models with Figure B controls

- Press and hold the "DOOR ALARM" and "WATER FILTER" buttons simultaneously for 5 seconds to enter/exit Sabbath Mode.

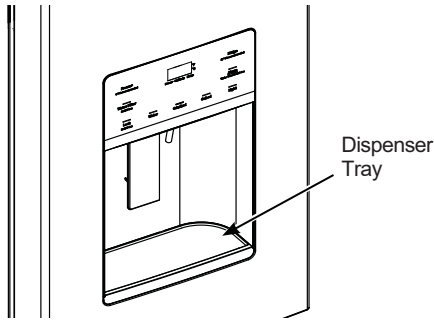
### Models with Figure C controls

- Press and hold the "LOCK" and "LIGHT" buttons simultaneously for 5 seconds to enter/exit Sabbath Mode.

# Dispenser (on some models)

## Water & Ice Dispenser

(See Controls)



Press the glass gently against the dispenser cradle. The spill shelf is not self-draining. To reduce water spotting, the shelf should be cleaned regularly.

If no water is dispensed when the refrigerator is first installed, there may be air in the water line system. Press the dispenser paddle for at least five minutes to remove trapped air from the water line and to fill the water system. To flush out impurities in the water line, throw away the first six full glasses of water.

### **CAUTION** Laceration Hazard

- Never put fingers or any other object into ice crusher discharge opening. Doing so can result in contacting the ice crushing blades and lead to serious injury or amputation
- Use a sturdy glass when dispensing ice. A delicate glass may break and result in personal injury.

### To remove Dispenser Tray

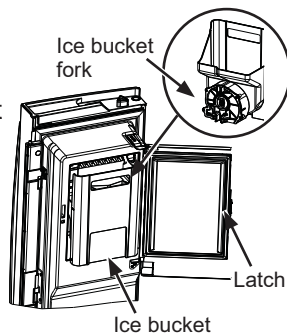
- Pull Dispenser Tray out.

### To reinstall Dispenser Tray

- Push in until it is firmly in place.

## Door Ice Bin

1. Open left fresh food door.
2. Pull down latch to release bin door.
3. Using handhold, lift ice bucket up and out to clear locators in bottom of bin.
4. To replace the ice bucket, set it on the guide brackets and push until the ice bucket seats properly.
5. If bucket cannot be replaced, rotate the Ice Bucket Fork 1/4 turn clockwise.



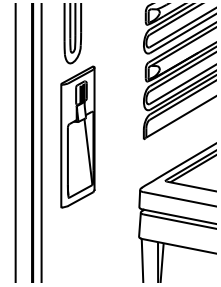
## Internal Water Dispenser

(on some models)

The water dispenser is located on the left wall inside the refrigerator compartment.

### To dispense water:

1. Hold the glass against the recess.
2. Push the water dispenser button.
3. Hold the glass underneath the dispenser for 2–3 seconds after releasing the dispenser button. Water may continue to dispense after the button is released.



If no water is dispensed when the refrigerator is first installed, there may be air in the water line system. Press the dispenser button for at least 5 minutes to remove trapped air from the water line and to fill the water system. During this process, the dispenser noise may be loud as the air is purged from the water line system. To flush out impurities in the water line, throw away the first 6 glassfuls of water.

**NOTE:** To avoid water deposits, the dispenser should be cleaned periodically by wiping with a clean cloth or sponge.

## Important Facts About Your Dispensers

- Do not add ice from trays or bags to the door icemaker bucket. It may not crush or dispense.
- Avoid overfilling glass with ice and use of narrow glasses. Backed-up ice can jam the chute or cause the door in the chute to freeze shut. If ice is blocking the chute remove the ice bucket, poke it through with a wooden spoon.
- Beverages and foods should not be quick-chilled in the door icemaker bin. Cans, bottles or food packages in the storage drawer may cause the icemaker or auger to jam.
- To keep dispensed ice from missing the glass, put the glass close to, but not touching, the dispenser opening.
- Some crushed ice may be dispensed even though you selected **CUBED ICE**. This happens occasionally when a few cubes accidentally get directed to the crusher.
- After crushed ice is dispensed, some water may drip from the chute.
- Sometimes a small mound of frost will form on the door in the ice chute. This condition is normal and usually occurs when you have dispensed crushed ice repeatedly.

# Water Filter Cartridge - XWF

## WATER FILTER CARTRIDGE

The water filter cartridge holder is located in the back upper-right corner of the fresh food refrigerator compartment.

## WHEN TO REPLACE THE FILTER

If there is a replacement indicator light for the water filter cartridge on the dispenser, the red filter light will start blinking to tell you that you need to replace the filter soon.

- For external control models, the filter light will blink while you are dispensing until the filter is replaced.
- For top control models, the filter light will blink while the door is open until the filter is replaced.

For models that don't have the indicator light, the filter cartridge should be replaced every six months, or earlier if the flow of water to the dispenser or icemaker decreases.

## REMOVING THE FILTER

If you are replacing the filter, first remove the previous one:

1. Open the filter cartridge housing by squeezing the 2 front tabs and gently pulling down.
2. Rotate the filter down.
3. Gently grasp the filter and slowly turn it counterclockwise about a ¼ turn. The filter should automatically release itself when you have rotated it far enough to the left. A small amount of water may drip down.

### ⚠ CAUTION

If air has been trapped in the system, the filter cartridge may be ejected as it is removed. Use caution when removing.

## FILTER BYPASS PLUG

To reduce the risk of property damage due to water leakage, you **MUST** use the filter bypass plug when a replacement filter cartridge is not available. Some models do not come equipped with the filter bypass plug. To obtain a free bypass plug, call 800-GECARES. In Canada, call 800.561.3344. The dispenser and icemaker will not operate without either the filter or bypass plug installed. The bypass plug is installed in the same way as a filter cartridge

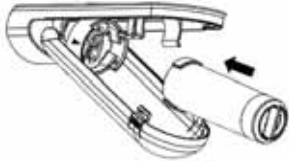
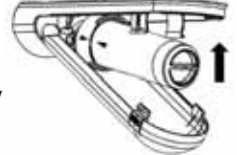
### ⚠ WARNING

To reduce the risk associated with choking, do not allow children under 3 years of age to have access to small parts during the installation of this product. The disposable filter cartridge should be replaced every 6 months at the rated capacity, or sooner if a noticeable reduction in flow rate occurs.

For the maximum benefit of your filtration system, GE Appliances recommends the use of GE Appliances-branded filters only. Using GE Appliances-branded filters in GE Appliances and Hotpoint® refrigerators provides optimal performance and reliability. GE Appliances filters meet rigorous industry standards for safety and quality that are important for products that are filtering your water. GE Appliances has not qualified non-GE Appliances-branded filters for use in GE Appliances and Hotpoint refrigerators and there is no assurance that non-GE Appliances-branded filters meet GE Appliances standards for quality, performance and reliability.

If you have questions, or to order additional filter cartridges, visit our website at [www.gewaterfilters.com](http://www.gewaterfilters.com) or call GE Appliances Parts and Accessories, 877.959.8688. (Canada 1.800.661.1616 or [www.GEAppliances.ca/en/products/parts-filters-accessories](http://www.GEAppliances.ca/en/products/parts-filters-accessories))

## INSTALLING THE FILTER IN A BOTTOM FREEZER REFRIGERATOR

1. Open the filter cartridge housing by squeezing the 2 front tabs and gently pulling down. 
2. Line up the ports on the filter with the ports on the filter cartridge holder, and gently insert the filter. 
3. Slowly turn the filter to the right until it stops. **DO NOT OVERTIGHTEN.** As you turn the filter, it will automatically adjust itself into position. The filter will move about a ¼ turn or 90 degrees, until the arrow on the filter aligns with the arrow on the filter cartridge holder. 
4. Slowly push the filter up into the clips.
5. Close the filter cartridge housing by gently pushing the lid upwards until the tabs lock into place. 
6. Run water from the dispenser for 2 gallons (7.6 liters) or approximately 5 minutes to clear the system. Water may spurt out and air bubbles may be visible during this process. If water is not flowing, check to make sure the filter has been fully rotated to the right.
7. Press and hold the WATER FILTER pad (only on select models) on the dispenser for three seconds.

## Application Guidelines/Water Supply

Service Flow	0.5 gpm (1.89 lpm)
Water Supply	Potable Water
Water Pressure	25-120 psi (172-827 kPa)
Water Temperature	33°F-100°F (0.6°C-38°C)
Capacity	170 gallons (643.5 liters)

**Sign-up for TEXT REMINDERS by texting REPLACE to 70543.**



# Shelves and Bins

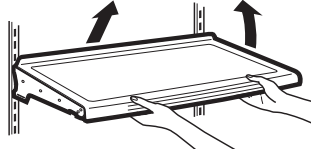
Not all features are on all models.

## Rearranging the Refrigerator Shelves

Shelves in the refrigerator compartment are adjustable.

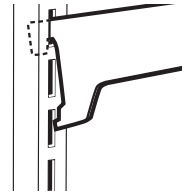
### To remove the shelves:

1. Remove all items from the shelf.
2. Tilt the shelf up at the front.
3. Lift the shelf up at the back and bring the shelf out.



### To replace the shelves:

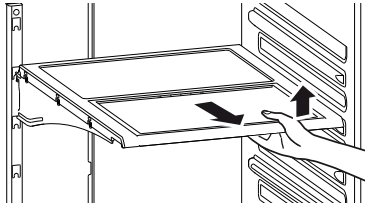
1. While tilting the shelf up, insert the top hook at the back of the shelf in a slot on the track.
2. Lower the front of the shelf until the bottom of the shelf locks into place.



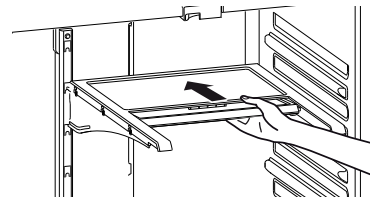
## Quick Space Shelf (on some models)

This shelf splits in half and slides under itself for storage of tall items on the shelf below.

This shelf can be removed and replaced or relocated.



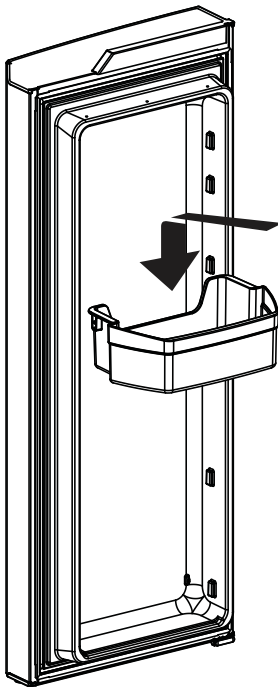
**NOTE:** The back half of the Quick Space Shelf is not adjustable.



## Adjustable Door Bins (on some models)

**To remove:** Lift the bin straight up; then pull out.

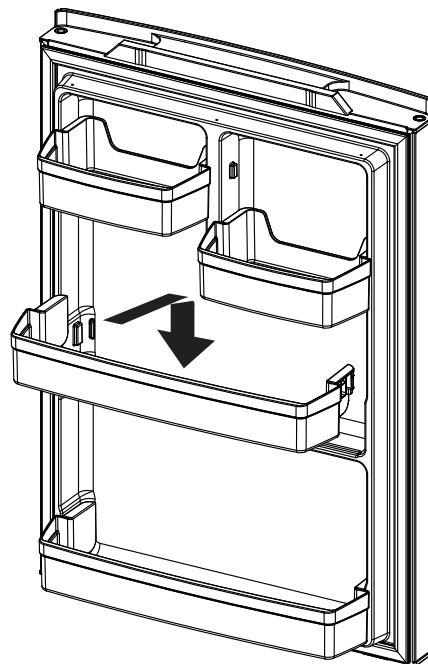
**To replace:** Engage the bin in the molded supports on the door and push down to lock in place.



## Non-Adjustable Gallon Door Bins (on some models)

**To remove:** Lift the bin straight up; then pull out.

**To replace:** Engage the bin in the molded supports on the door and push down to lock in place.



# Pans

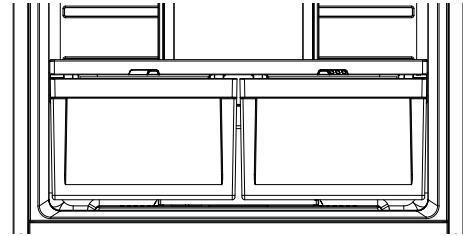
Not all features are on all models.

## Climate Zone Pans

Keep fruits and vegetables organized in separate compartments for easy access. Excess water that may accumulate in the bottom of the drawers or under the drawers should be wiped dry.

### To remove pan:

Slide the pan out to the stop position, lift the pan up and past the stop position and pull forward.



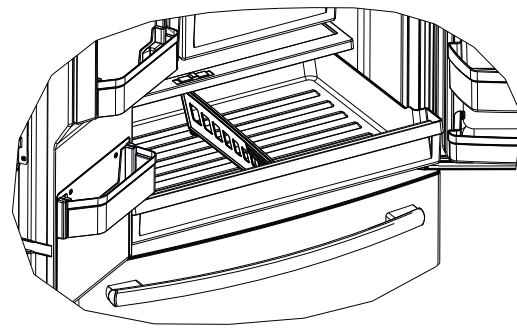
## Full -Width Pan (on some models)

### To remove pan:

1. Pull the pan out to the stop position.
2. Lift the front of the drawer up and out.

### To replace pan:

1. Place back of the drawer in first and rotate drawer front down to seat it on the slides.
2. Push the drawer in to the closed position.



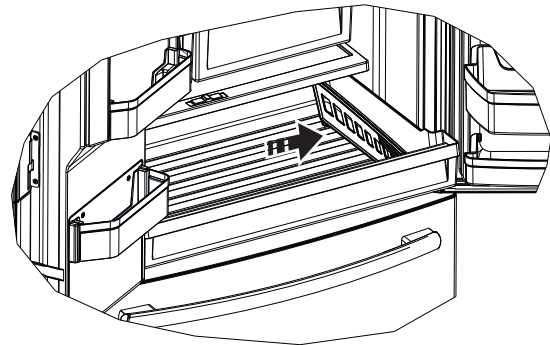
## How to Remove and Replace Drawer Divider

### To remove:

1. Pull the drawer out to the stop position.
2. Slide pan divider to right to release it from pan.

### To replace:

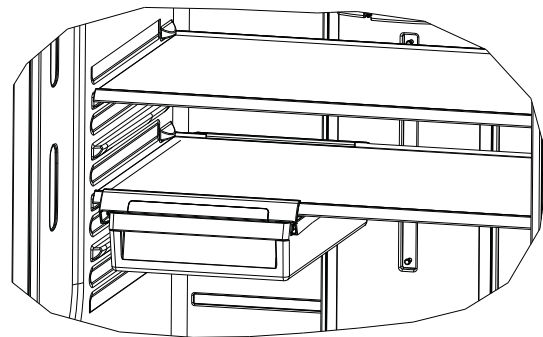
Reverse steps 1 and 2 to replace drawer divider.



## Floating Snack Pan (on some models)

This pan can be moved to the most useful location for your family's needs.

**To remove**, slide the pan out to the stop position, lift the pan up and past the **stop** position and lift it out.





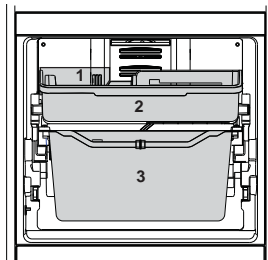
# Freezer Drawer (on some models)

Not all features are on all models.

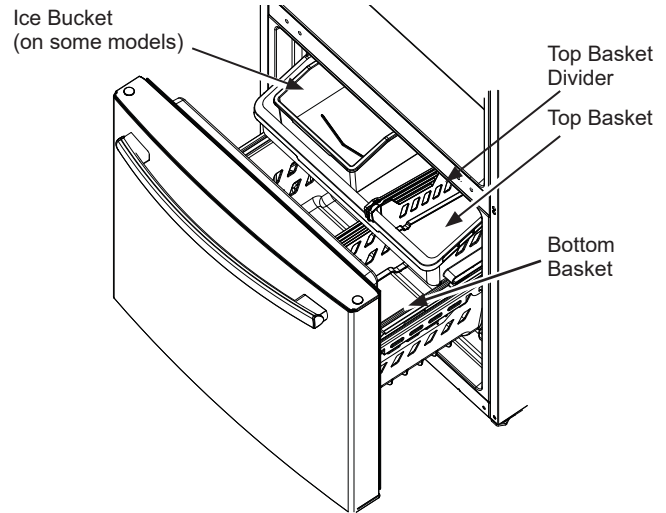
## FREEZER BASKETS

1. An ice bucket in the top basket (on some models).
2. A top full-width basket.
3. A bottom full-width basket (with divider - in some models).

**NOTE:** Do not fill baskets higher than the rim of the basket. This may cause baskets to stick or jam when opening or closing.



Appearance and features may vary



## Top Basket Removal

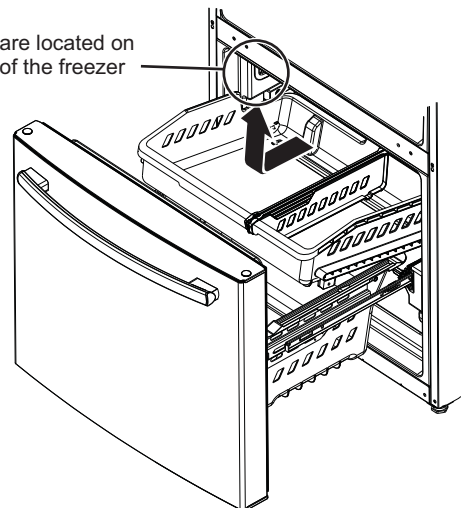
To remove the top full-width basket on freezer drawer models:

1. Pull the basket out to the stop location.
2. Lift basket up to release it from the slides.

**When replacing the basket,** make sure that the basket remains mounted on the side rails and over the slides of the bottom basket.

**NOTE:** Always be sure to fully close this basket.

LED lights are located on both sides of the freezer



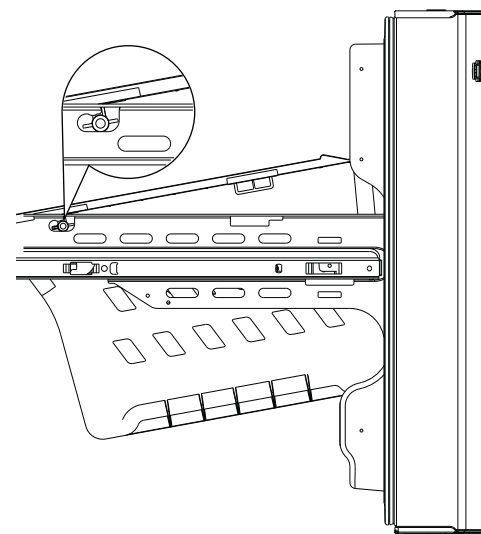
## Bottom Basket Removal

To remove the bottom full-width basket on freezer drawer models:

1. Open the bottom freezer drawer until it stops.
2. Remove the top freezer basket.
3. The bottom freezer basket rests on the inside tabs on the drawer slides.
4. Lift the front of the basket and pull forward.
5. Release the pin from the slot to remove the basket.

**When replacing the bottom full-width basket,** tilt the basket back and lower it into the drawer. Rotate the basket to a horizontal position and press down. Make sure to place the pin back into the slot.

**NOTE:** Always be sure that the basket is seated on the bracket tabs before sliding the drawer back into the freezer.



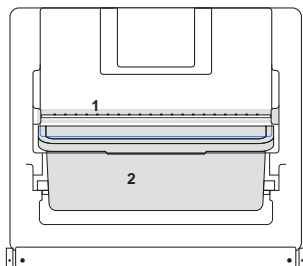
# Freezer Compartment

Not all features are on all models.

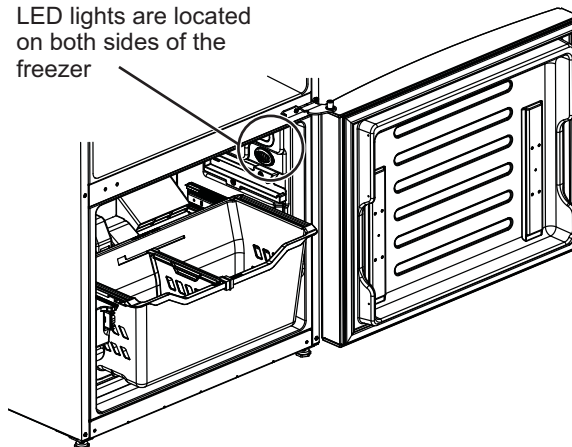
## FREEZER SHELF AND BASKET

1. A full-width fixed wire shelf
2. A full-width sliding plastic basket

**NOTE:** Do not fill baskets higher than the rim. This may cause basket to stick or jam when opening or closing.



LED lights are located on both sides of the freezer

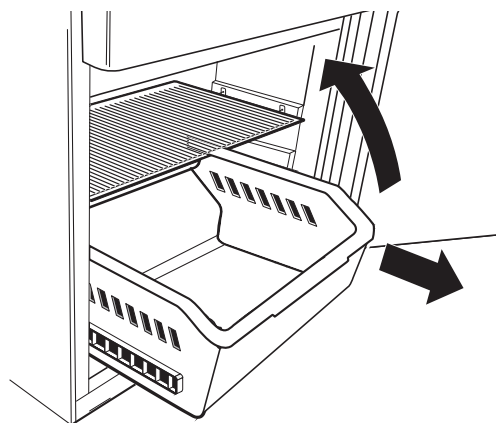


## Basket Removal

To remove the full-width sliding basket on freezer door models:

1. Open the basket out to its full extension.
2. Lift up the front of the basket and pull straight out to remove.

When replacing the basket, insert the plastic basket into the lower liner rails and push back into place.

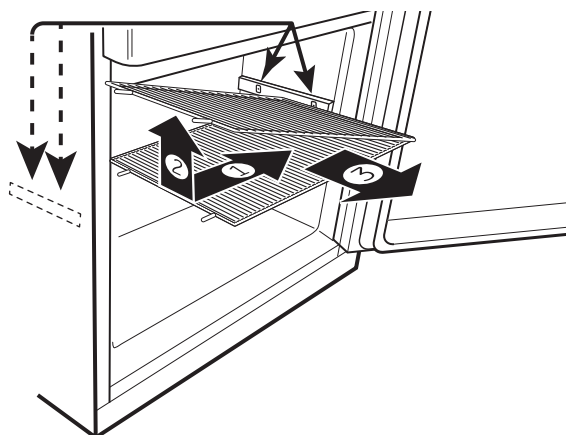


## Fixed Shelf Removal

**NOTE:** The full-width wire shelf is not intended to slide.

To remove for cleaning, push the shelf to one side while then pull up on the opposite side and out to remove.

To replace the full-width wire shelf, insert one side of the shelf into the supports, pushing the shelf to that side until the opposite side will fit into its supports.



# Automatic Icemaker

A newly installed refrigerator may take 12 to 24 hours to begin making ice.

## Automatic Icemaker (on some models)

The icemaker will produce seven cubes per cycle approximately 100–130 cubes in a 24-hour period, depending on freezer compartment temperature, room temperature, number of door openings and other use conditions.

If the refrigerator is operated before the water connection is made to the icemaker, set the power switch in the **OFF** position.

When the refrigerator has been connected to the water supply, set the power switch to the **ON** position.

The icemaker will fill with water when it cools to 15°F (–10°C). A newly installed refrigerator may take 12 to 24 hours to begin making ice cubes.

You may hear a buzzing sound each time the icemaker fills with water.

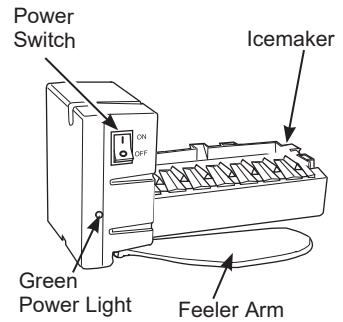
Throw away the first few batches of ice to allow the water line to clear.

Be sure nothing interferes with the sweep of the feeler arm.

When the bin fills to the level of the feeler arm, the icemaker will stop producing ice. It is normal for several cubes to be joined together.

If ice is not used frequently, old ice cubes will become cloudy, taste stale and shrink.

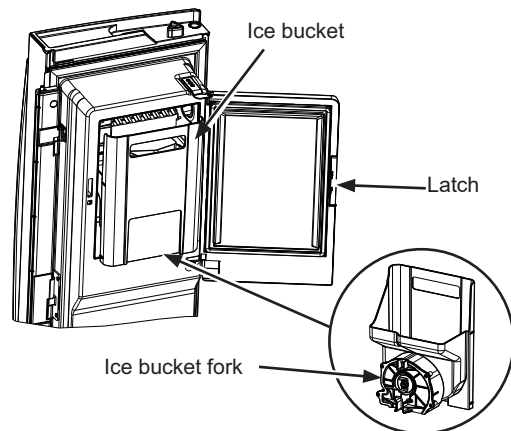
**NOTE:** In homes with lower-than-average water pressure, you may hear the icemaker cycle multiple times when making one batch of ice.



**CAUTION** To minimize the risk of personal injury, avoid contact with the moving parts of the ejector mechanism, or with the heating element that releases the cubes. Do not place fingers or hands on the automatic ice making mechanism while the refrigerator is plugged in.

## For Refrigerator Models with Icemaker in the Door Ice Bucket and Dispenser

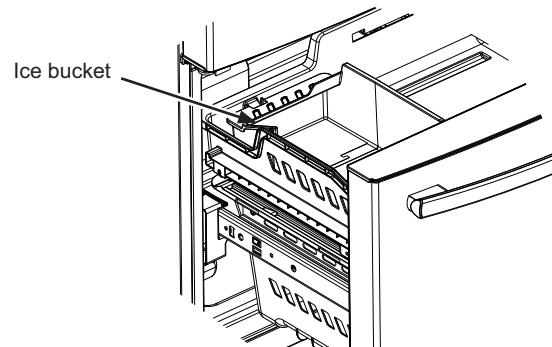
- Open the ice box door on inside of the left door.
- Pull up and out on the ice bucket in the left hand door to remove it from the compartment.
- To replace the ice bucket, set it on the guide brackets and push until the ice bucket seats properly.
- If bucket cannot be replaced, rotate the ice bucket fork 1/4 turn clockwise.
- Icemaker can be turned on and off using this display (see Controls on pages 7 and 8.)



## For Refrigerator Models with Icemaker in the Freezer Compartment

Some models come with an icemaker installed in the freezer compartment. For those models that come ice-maker ready, you can purchase Kit IM4D or IM-5D, depending on your model. Visit our website at [GEAppliances.com](http://GEAppliances.com) or call GE Appliances Parts and Accessories, 877.959.8688 (in Canada visit [geappliances.ca/en/products/parts-filters-accessories](http://geappliances.ca/en/products/parts-filters-accessories) or call 1.800.661.1616).

There is ice storage in the freezer compartment located on the left side of the upper basket. Pull the upper basket forward to remove the ice bucket.



## Care and Cleaning

---

### Cleaning the Outside

#### The stainless steel panels, door handles and trim.

Do not use appliance wax, polish, bleach, or other products containing chlorine on stainless steel.

Stainless steel can be cleaned with a commercially available stainless steel cleaner. A spray-on stainless steel cleaner works best.

#### Silver-accented plastic parts.

Wash parts with soap or other mild detergents. Wipe clean with a sponge, damp cloth or paper towel.

Do not use scouring pads, powdered cleaners, bleach or cleaners containing bleach because these products can scratch and weaken the paint finish.

**Should spill tray need cleaning use lime remover.**

---

### Cleaning the Inside

#### Unplug the refrigerator before cleaning.

If this is not practical, wring excess moisture out of sponge or cloth when cleaning around switches, lights or controls.

Use an appliance wax polish on the inside surface between the doors.

Use warm water and baking soda solution—about a tablespoon (15 ml) of baking soda to a quart (1 liter) of water. This both cleans and neutralizes odors. Rinse and wipe dry.

#### ⚠ CAUTION

Do not clean glass shelves or covers with warm water when they are cold. Glass shelves and covers may break if exposed to sudden temperature changes or impact such as bumping or dropping. Tempered glass is designed to shatter into many small pieces if it breaks.

---

### Behind the Refrigerator

Be careful when moving the refrigerator away from the wall. All types of floor coverings can be damaged, particularly cushioned coverings and those with embossed surfaces.

Raise the leveling legs located at the bottom front of the refrigerator.

Pull the refrigerator straight out and return it to position by pushing it straight in. Moving the refrigerator in a side direction may result in damage to the floor covering or refrigerator.

Lower the leveling legs until they touch the floor.

**When pushing the refrigerator back, make sure you don't roll over the power cord or water supply line.**

---

### Preparing for Vacation

For long vacations or absences, remove food and unplug the refrigerator. Clean the interior with a baking soda solution of one tablespoon (15 ml) of baking soda to one quart (1 liter) of water. Leave the doors open.

If the temperature can drop below freezing, have a qualified service technician drain the water supply system to prevent serious property damage due to flooding.

1) Turn refrigerator off (pages 7 and 8) or unplug the refrigerator.

2) Empty ice bucket

3) Turn water supply off

**If you cut the water supply off, turn off the icemaker (pg. 15).**

Upon returning from vacation:

1) Replace the water filter.

2) Run 2 gallons of water through the cold water dispenser (about 5 minutes) to flush the system.

---

### Preparing to Move

Secure all loose items such as shelves and drawers by taping them securely in place to prevent damage.

When using a hand truck to move the refrigerator, do not rest the front or back of the refrigerator against the hand truck. This could damage the refrigerator.

Handle only from the sides of the refrigerator.

Be sure the refrigerator stays in an upright position during moving.

# Care and Cleaning

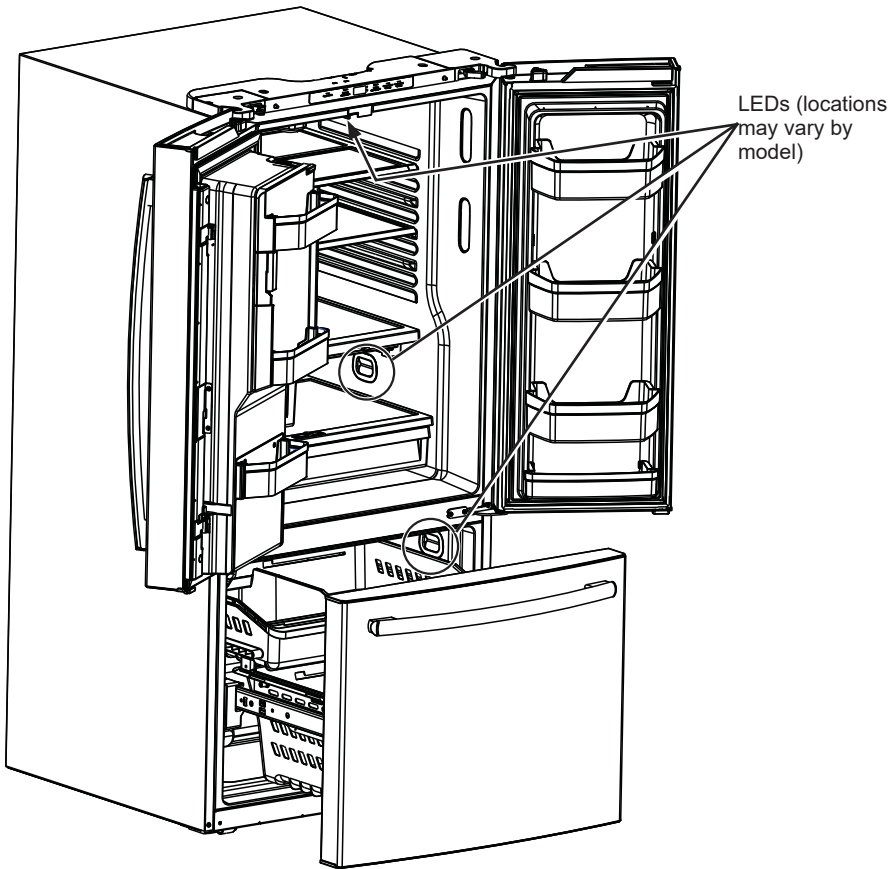
## Replacing the Lights

There is LED lighting in the fresh food compartment at the top center and on the left and right sides above the climate zone pans on the french door models. LED lighting is located at the top of the fresh food compartment on the single door models.

LED lights are also located at the top of the left and right sides of the freezer in all models.

An authorized technician will need to replace the LED light.

If this assembly needs to be replaced, call GE Appliances Service at 1.800.432.2737 in the United States or 1.800.561.3344 in Canada.



# Installation Instructions

# Refrigerator

Questions? Call 800.GE.CARES (800.432.2737) or visit our Website at: [GEAppliances.com](http://GEAppliances.com)  
 In Canada, call 1.800.561.3344 or visit our Website at: [www.GEAppliances.ca](http://www.GEAppliances.ca)

## BEFORE YOU BEGIN

Read these instructions completely and carefully.

- **IMPORTANT** — Observe all governing codes and ordinances. Save these instructions for local inspector's use.
- **Note to Installer** – Be sure to leave these instructions with the Consumer.
- **Note to Consumer** – Keep these instructions for future reference.
- **Skill level** – Installation of this appliance requires basic mechanical skills.
- **Completion time** – Refrigerator Installation  
20 minutes  
Water Line Installation  
30 minutes
- Proper installation is the responsibility of the installer.
- Product failure due to improper installation is not covered under the Warranty.

## PREPARATION

### MOVING THE REFRIGERATOR INDOORS

If the refrigerator will not fit through a doorway, the refrigerator door and freezer drawer or door can be removed.

- To remove the refrigerator door, see Step 1 in the Reversing the Door Swing section.
- To remove the freezer drawer, see the Removing the Freezer Drawer section.

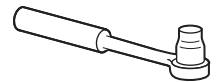
### WATER SUPPLY TO THE ICEMAKER AND DISPENSER

If the refrigerator has an icemaker, it will have to be connected to a cold water line. A GE Appliances water supply kit (containing tubing, shutoff valve, fittings and instructions) is available at extra cost from your dealer, by visiting our website at [GEAppliances.com](http://GEAppliances.com) (in Canada at [www.GEAppliances.ca](http://www.GEAppliances.ca)) or from Parts and Accessories, 877.959.8688 (in Canada 1.800.661.1616).

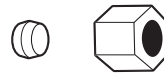
## TOOLS YOU MAY NEED



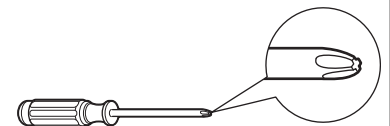
Adjustable Wrench



3/8" and 5/8" Socket Ratchet/Driver



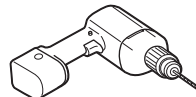
1/4" Outer Diameter Compression Nut and Ferrule (sleeve) (icemaker models only)



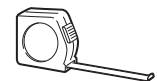
Phillips-Head Screwdriver



3/32", 1/8" & 3/16" Allen Wrenches



1/8" Drill Bit and Electric or Hand Drill



Tape Measure



Pencil



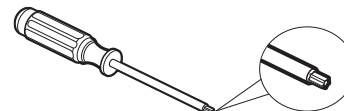
1/4" Nut Driver



Wire Cutters



Level

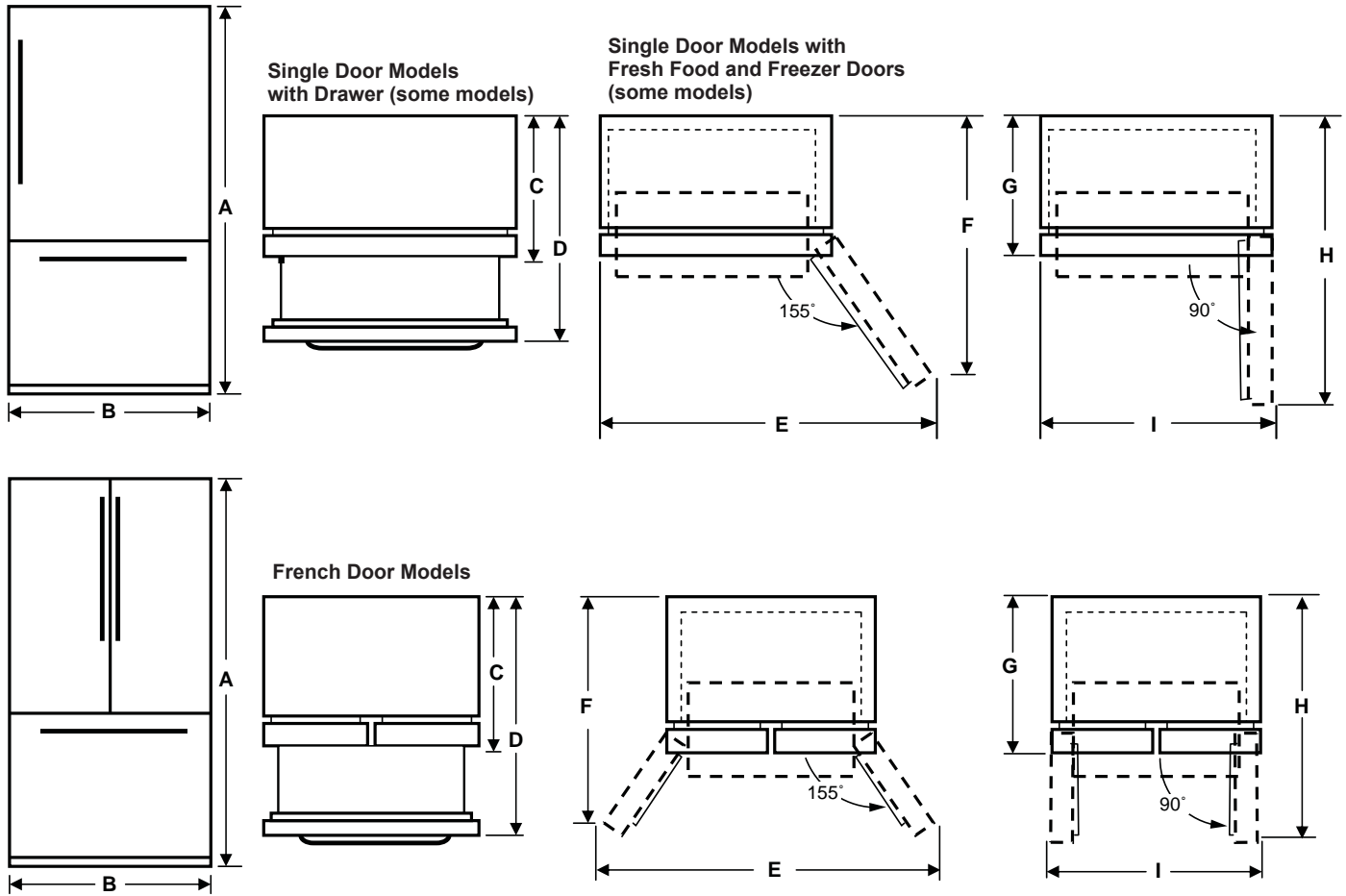


Torx T20, Driver



# Installation Instructions

## APPLIANCE DIMENSIONS

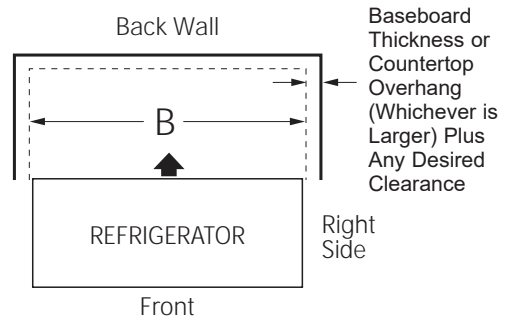


ITEM	18/19 cuft models with french doors	21 cuft models with single door	21 cuft models with french doors	25 cuft models with single door	24/25 cuft models with french doors	26/27 cuft models with french doors
A*	69-7/8" (177.5 cm)	69-7/8" (177.5 cm)	69-7/8" (177.5 cm)	69-7/8" (177.5 cm)	69-7/8" (177.5 cm)	69-7/8" (177.5 cm)
B	33" (83.8 cm)	30" (76.2 cm)	30" (76.2 cm)	33" (83.8 cm)	33" (83.8 cm)	36" (91.4 cm)
C**	30-7/8" (78.4 cm)	36-1/8" (91.8 cm)	36-3/8" (92.4 cm)	37-3/8" (94.9 cm)	37-1/8" (94.3 cm)	36-5/16" (92.2 cm)
D**	41-3/32" (104.4 cm)	-	54" (137.2 cm)	54-3/4" (139.1 cm)	54-3/4" (139.1 cm)	50-3/16" [127.5 cm]
E	48-3/8" (122.8 cm)	55" (139.7 cm)	54-7/8" (139.4cm)	60-1/2" (153.7 cm)	60-1/2" (153.7 cm)	54-13/16" (139.2 cm)
F	39-17/32" (100.4 cm)	45-5/8" (115.9 cm)	37" (94 cm)	48" (121.9 cm)	38-3/4" (98.4 cm)	43-23/32" (111.1 cm)
G	28-7/8" (73.3 cm)	33-7/8" (86 cm)	34-3/8" (87.3 cm)	34-7/8" (88.6 cm)	35-3/8" (89.9 cm)	33-13/16" (85.9 cm)
H	41-15/16" (106.5 cm)	61" (154.9 cm)	45-7/8" (116.5 cm)	65" (165.1 cm)	48-3/8" (122.9 cm)	48-3/4" (123.8 cm)
I**	40-1/2" (102.9 cm)	33-1/2" (85.1 cm)	37-5/8" (95.6 cm)	36" (91.4 cm)	40-1/2" (102.9 cm)	43-3/8" (110.2 cm)

**NOTE:** \* The height of the refrigerator to the top of the door. \*\* Includes the handle.

### MEASURE THE CABINET OPENING ACCORDING TO THE WIDTH OF THE REFRIGERATOR

Measure width of cabinet opening where refrigerator will be placed, B. Be sure to account for any countertop overhang, baseboard thickness and any clearance desired. Width, B, should not be less than 30"-36" (76.2 cm - 91.4 cm) (depending on model). The refrigerator will be placed approximately in the middle of this opening.



# Installation Instructions

## INSTALLING THE REFRIGERATOR

### REFRIGERATOR LOCATION

- Do not install the refrigerator where the temperature will go below 60°F (16°C) because it will not run often enough to maintain proper temperatures.
- Do not install the refrigerator where the temperature will go above 100°F (37°C) because it will not perform properly.
- Do not install the refrigerator in a location exposed to water (rain, etc.) or direct sunlight.
- Install it on a floor strong enough to support it fully loaded.

### CLEARANCES

Allow the following clearances for ease of installation, proper air circulation and plumbing and electrical connections.

Sides	1/8" (3 mm)	
Top	1" (25 mm)	Cabinet/Hinge Cover
Back	2" (50 mm)	

### IMPORTANT NOTES

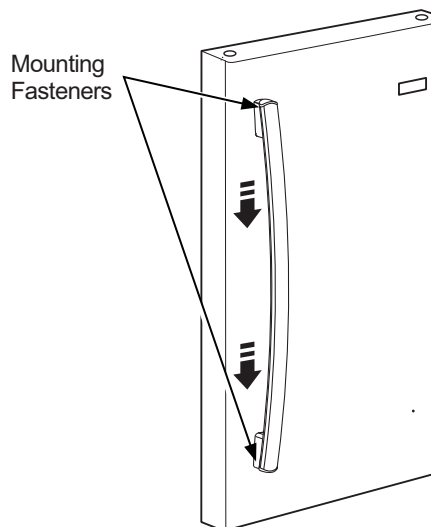
This refrigerator without the handles ranges from 34" to 35-1/4" (86.4 cm - 89.5 cm) depending on your model (see dimension G on the previous page). Doors and passageways leading to the installation location must be at least 36" (91.4 cm) in order to leave the doors attached to the refrigerator while transporting it into the installation location. If passageways are less than 36" (91.4 cm), the refrigerator doors can easily be scratched and damaged. The doors can be removed to allow the refrigerator to be safely moved indoors.

- If you need to remove the door and you have the french door model, see Removing French Doors.
- If you need to remove the door and you have the single fresh food door model, see Reversing the Door.
- To remove the freezer door and you have the model with a freezer drawer see Removing Freezer Drawer.
- If you have the model with the hinged freezer door see Reversing the Door.
- If it is **NOT** necessary to remove doors, skip to Page 31. Leave tape and all packaging on doors until the refrigerator is in the final location. Once in place, install door handles (see Steps 1 and 2).
- **SKID REMOVAL:** Tilt refrigerator to each side to remove skid.
- **NOTE:** Use a padded hand truck to move this refrigerator. Place the refrigerator on the hand truck with a side against the truck. We strongly recommend that **TWO PEOPLE** move and complete this installation.

### 1 ATTACH FRESH FOOD HANDLE(S)

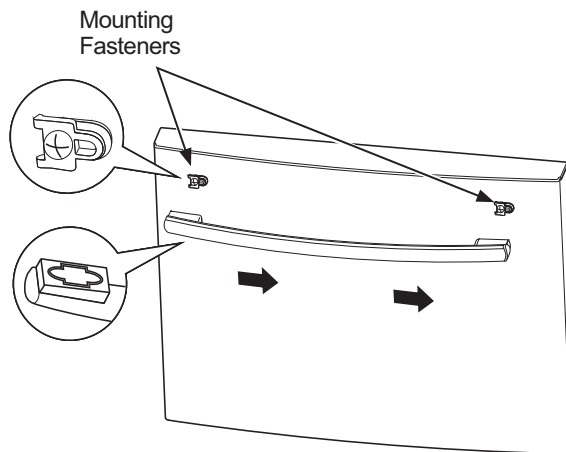
Attach the handle to the mounting fasteners by aligning the slots on the handle with the mounting fasteners. Slide the handle down until you hear a "click".

**NOTE:** For French Door models, follow the same procedure for both doors.



### 2 ATTACH FREEZER HANDLE

Attach the handle to the mounting fasteners by aligning the slots on the handle with the mounting fasteners. Slide the handle to the right until you hear a "click".





# Installation Instructions

## INSTALLING THE REFRIGERATOR (Cont.)

### REMOVING FRENCH DOORS

(on some models)

**⚠ WARNING** Follow all steps when reversing the door swing. Failure to follow these instructions, leaving off parts, or overtightening screws, can lead to the door falling off and result in injury and property damage.

### IMPORTANT NOTES

When removing french doors:

- Read the instructions all the way through before starting.
- Handles are included inside the refrigerator.
- Place the screws by their related parts to avoid using them in the wrong places.
- Provide a non-scratching work surface for the doors.

**⚠ CAUTION** **Lifting Hazard.**

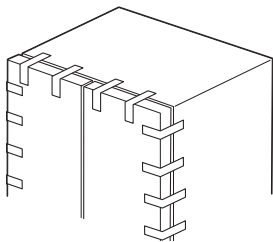
Single person lift can cause injury. Use assistance when handling, moving or lifting the refrigerator doors.

**NOTE:** When moving door, to prevent damage to door and electronics carefully place the door in a proper location.

**⚠ WARNING**

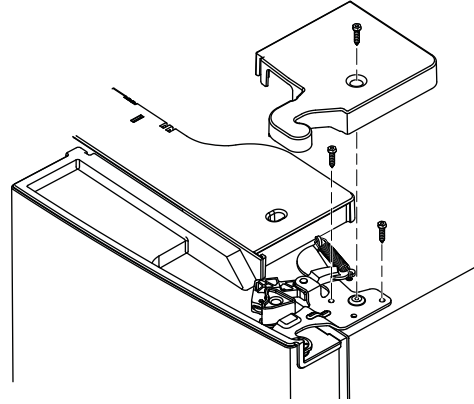
To eliminate the risk of electric shock or injury during installation, you must first unplug the refrigerator before proceeding. Failure to follow these instructions can result in electrical shock.

Tape the doors shut with adhesive tape.



### 1 REMOVING RIGHT DOOR

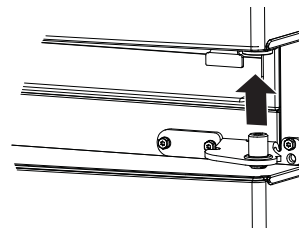
- A. Remove the hinge cover on top of the right fresh food door by removing the screw using a Phillips screwdriver.



- B. Using a 5/16" socket ratchet/driver, remove the bolts securing the top hinge to the cabinet. Lift the hinge support straight up to free the hinge pin from the socket in the top of the door.

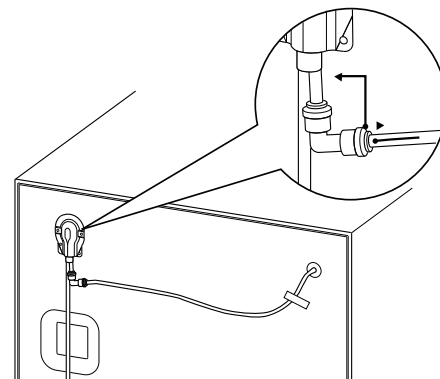
- C. Remove the tape from the right door and tilt the door away from the cabinet. Lift the door off the center hinge pin.

- D. Set the door on a non-scratching surface with the inside up.



### 2 REMOVING LEFT DOOR

- A. **For Ice and Water Models Only:** Unplug the water line from the back of the refrigerator and remove all tape that fixes the water line to the refrigerator.

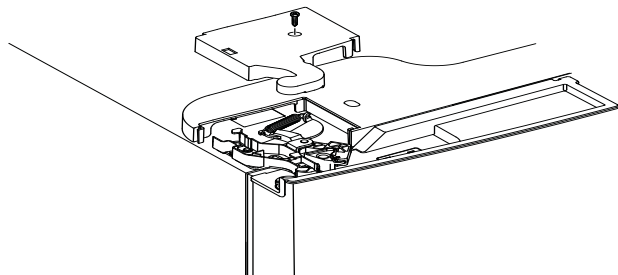


# Installation Instructions

## INSTALLING THE REFRIGERATOR (Cont.)

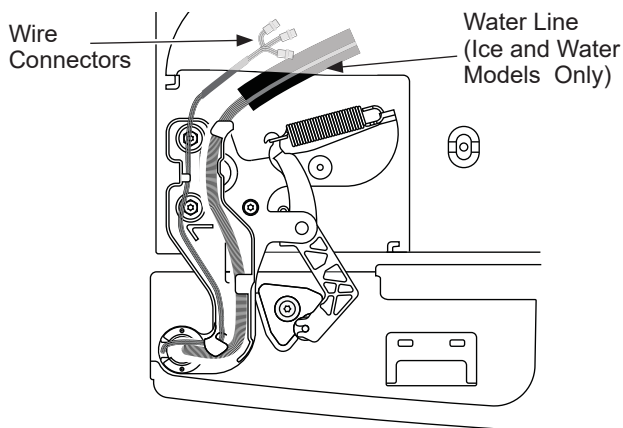
### 2 REMOVING LEFT DOOR (cont.)

B. Remove the hinge cover on top of the left fresh food door by removing the screw using a Phillips screwdriver.

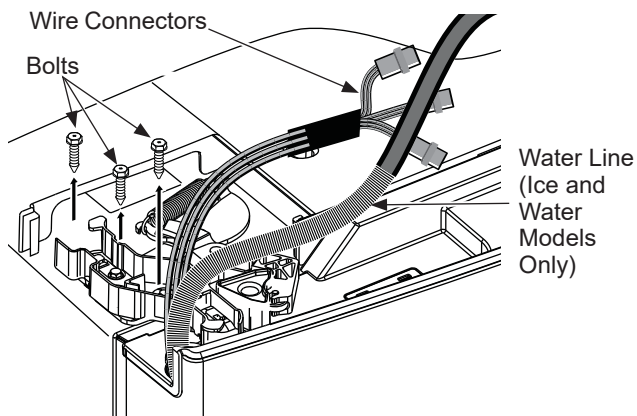


C. Unplug the 3 wire connectors and move the wires until you can see the screws holding the hinge.

**For Ice and Water Models Only:** Pull the water line very carefully.



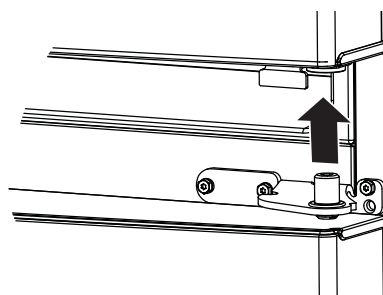
D. Using a 5/16" socket/ratchet driver, remove the bolts securing the top hinge to the cabinet.



**For NON Ice and Water Models Only:** Lift the hinge straight up to free the hinge pin from the socket in the top of the door and pass the wire through the slot in the hinge. **For Ice and Water Models Only: Do not remove hinge from the door.**

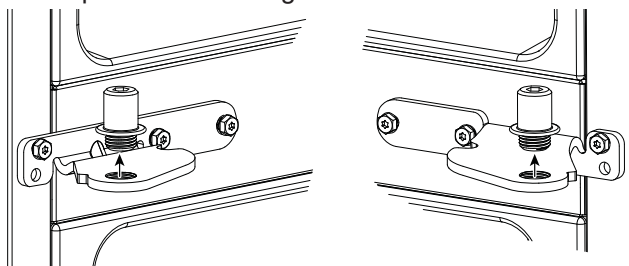
E. Remove the tape from the door, open the door 90 degrees and tilt the door away from the cabinet. Lift the door off the center hinge pin.

F. Set the door on a non-scratching surface with the inside up.

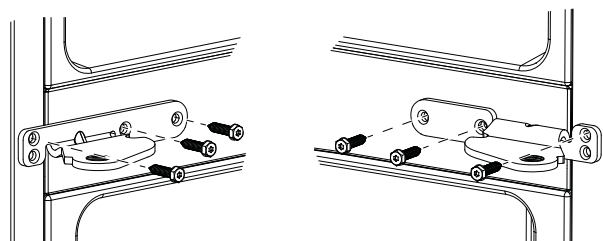


### 3 REMOVING CENTER HINGES AND BRACKETS

A. Using a 1/4" Allen wrench, remove the 2 hinge pins from the hinge brackets.



B. Using a 5/16" socket/ratchet driver, remove the bolts securing the center hinge brackets to the cabinet.



# Installation Instructions

## INSTALLING THE REFRIGERATOR (Cont.)

### REINSTALLING FRENCH DOORS (on some models)

#### IMPORTANT NOTES

When replacing the french doors:

- Read the instructions all the way through before starting.

#### **CAUTION** Lifting Hazard.

Single person lift can cause injury. Use assistance when handling, moving or lifting the refrigerator doors.

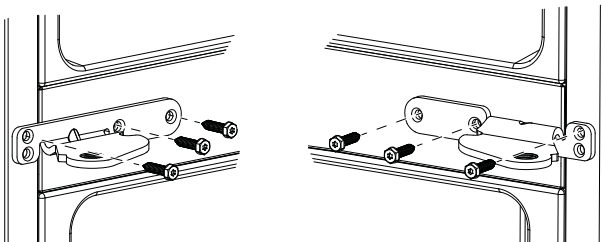
**NOTE:** When moving door, to prevent damage to door and electronics carefully place the door in a proper location.

#### **WARNING**

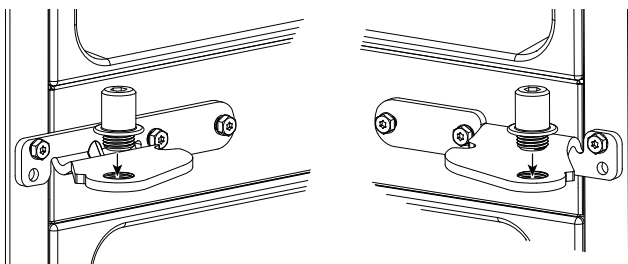
To eliminate the risk of electric shock or injury during installation, you must first unplug the refrigerator before proceeding. Failure to follow these instructions can result in electrical shock.

#### 1 REINSTALLING CENTER HINGE BRACKETS AND HINGES

- A. Using a 5/16" socket/ratchet driver, reinstall the bolts and center hinge brackets to the cabinet.

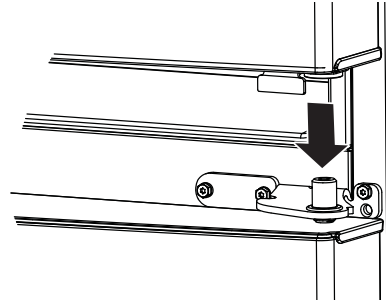


- B. Using a 1/4" Allen wrench, reinstall the 2 hinge pins into the hinge brackets.

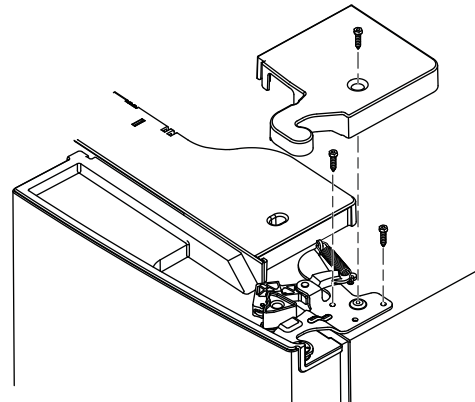


#### 2 REHANGING THE RIGHT DOOR

- A. Lower the refrigerator door onto the right hinge pin.



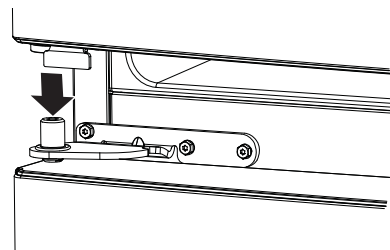
- B. Make sure the door is aligned with the cabinet. Attach the hinge to the top of the cabinet loosely with bolts removed earlier.
- C. Make sure the gasket on the door is flush against the cabinet and is not folded. Tighten the bolts to 60 lb/in.(6.78 Nm).



- D. Replace the right hinge cover on top of the refrigerator using a Phillips screwdriver.

#### 3 REHANGING THE LEFT DOOR

- A. For **NON Ice and Water Models Only:** Pass the wire through the slot in the hinge. Place the hinge pin into the top of the door.
- B. Lower the refrigerator door onto the left hinge pin.



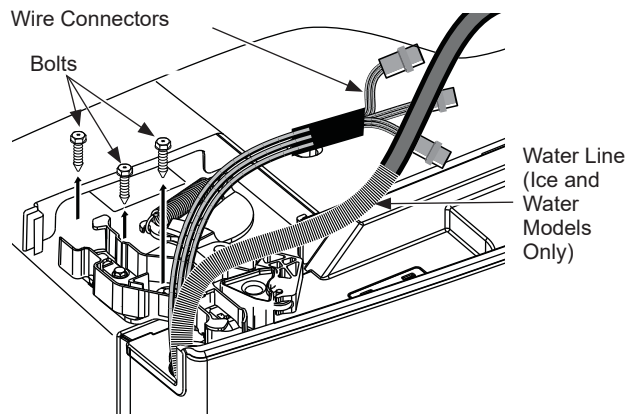
# Installation Instructions

## INSTALLING THE REFRIGERATOR (Cont.)

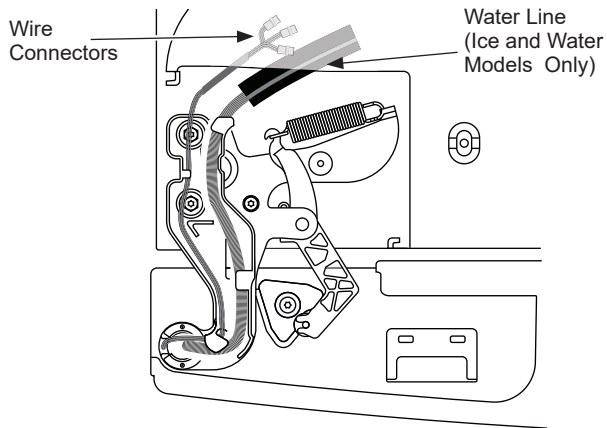
### REINSTALLING FRENCH DOORS (Cont.) (on some models)

#### 3 REHANGING THE LEFT DOOR (Cont.)

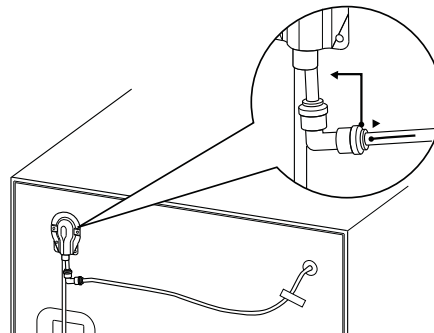
- C. Make sure the door is aligned with the cabinet. Attach the hinge to the top of the cabinet loosely with bolts removed earlier.
- D. Make sure the gasket on the door is flush against the cabinet and is not folded. Tighten the bolts to 60 lb/in. (6.78 Nm).



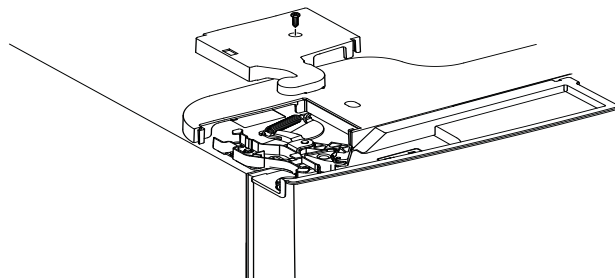
- E. Plug the wire connectors together and rout the wire inside the plastic port.



- F. **For Ice and Water Models Only:** Put the water line into the hole and pass through the plastic port to the back of the refrigerator. Plug the water line back into the fixture on back of the refrigerator. Tape water line to the refrigerator.



- G. Replace the left hinge cover on top of the refrigerator using a Phillips screwdriver.



# Installation Instructions

## INSTALLING THE REFRIGERATOR (Cont.)

### REMOVING FREEZER DRAWER (on some models)

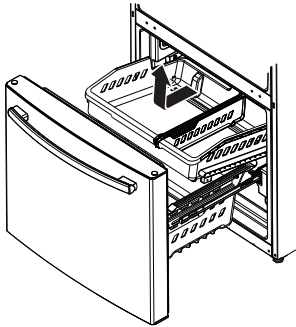
#### IMPORTANT NOTES

When removing freezer drawer:

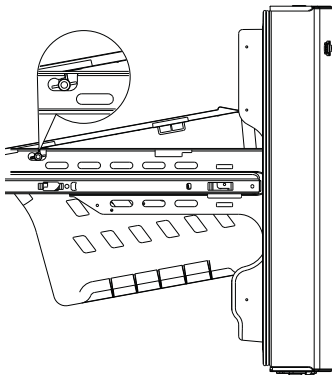
- Read the instructions all the way through before starting.
- Provide a non-scratching work surface for the doors.

#### 1 REMOVE THE BASKETS

- Open the freezer drawer until it stops.
- Pull the top basket out until it stops. Lift the basket up on the front and out to remove.

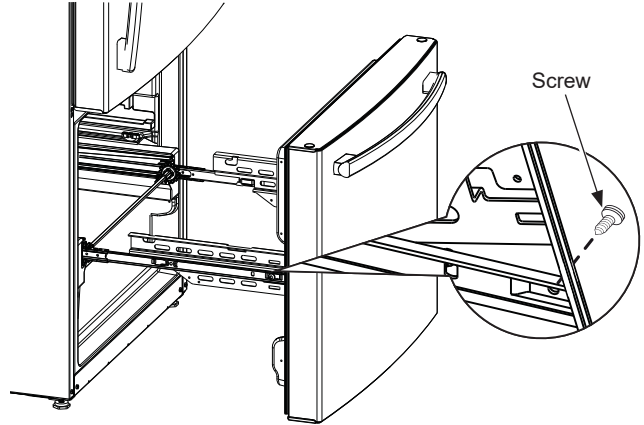


- The lower basket rests on a frame inside the freezer drawer. Lift the front of the basket and pull it forward. Release the pins from the slots on the frame to remove the basket.

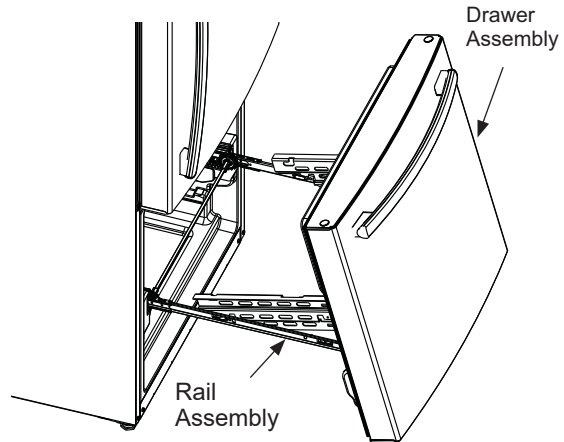


#### 2 REMOVE THE DRAWER FRONT

- Remove the screw on each side of the railing.



- Lift up on both sides of the freezer drawer handle to separate the drawer railings from the rail assemblies.



- Set the drawer front on a non-scratching surface.
- Push the rail assemblies back into locking position.

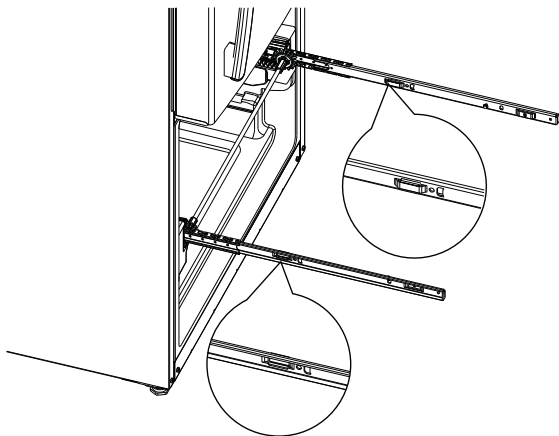
# Installation Instructions

## INSTALLING THE REFRIGERATOR (Cont.)

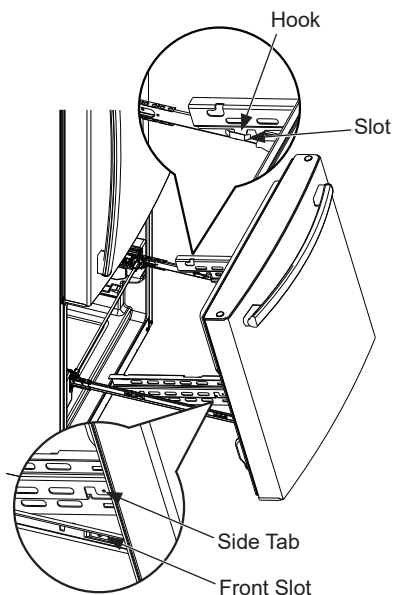
### REMOVING FREEZER DRAWER (on some models) (Cont.)

#### 3 REINSTALL FREEZER DRAWER FRONT

- A. Pull the rail assemblies to the maximum extension.
- B. Locate the slots on the inside of each slide.

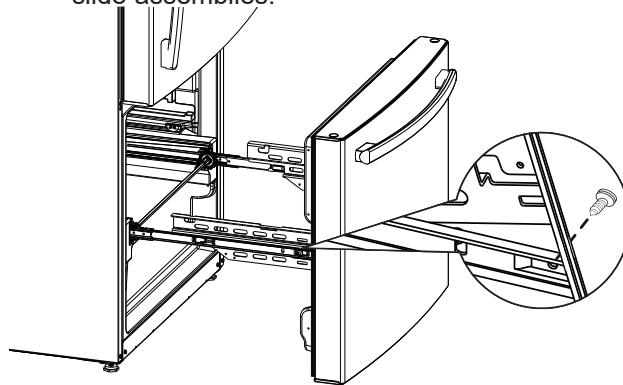


- C. Insert the hooks on the ends of the drawer assembly extensions into the slots near the back of the slides.



- D. Lower the front end of the freezer drawer assembly so the side tabs fit into the front slots on the rail assemblies.

- E. Replace the safety screws in both sides of the slide assemblies.



- F. Replace lower and upper baskets (see About freezer drawer, page 12).



# Installation Instructions

## INSTALLING THE REFRIGERATOR (Cont.)

### REVERSING THE DOOR (on some models)

**⚠ WARNING** Follow all steps when reversing the door swing. Failure to follow these instructions, leaving off parts, or overtightening screws, can lead to the door falling off and result in injury and property damage.

### IMPORTANT NOTES

When reversing doors:

- Read the instructions all the way through before starting.
- Logo badge, handles, plugs and right hinge cover are included inside the refrigerator (some models).
- Place the screws by their related parts to avoid using them in the wrong places.
- Provide a non-scratching work surface for the doors.

### ⚠ CAUTION Lifting Hazard.

Single person lift can cause injury. Use assistance when handling, moving or lifting the refrigerator doors.

**NOTE:** When removing door, to prevent damage to door and electronics carefully place the door in a proper location.

**NOTE:** The lower door hinge pin and hinge are keyed and must be matched correctly for the door to self close properly. Please follow directions carefully.

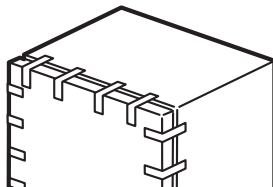
Freezer door is heavy. Use both hands to secure the door before lifting.

### ⚠ WARNING

To eliminate the risk of electric shock or injury during installation, you must first unplug the refrigerator before proceeding. Failure to follow these instructions can result in electrical shock.

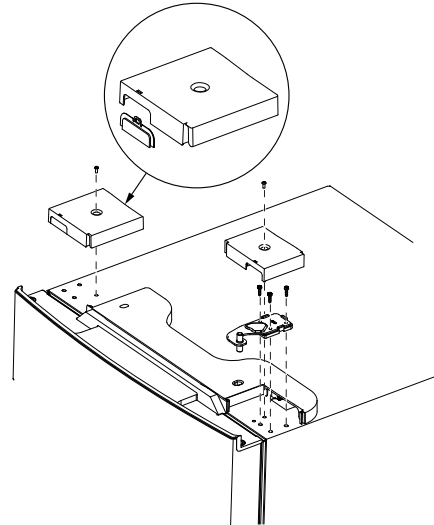
### 1 REMOVE THE REFRIGERATOR DOORS

A. Tape the door shut with masking tape.

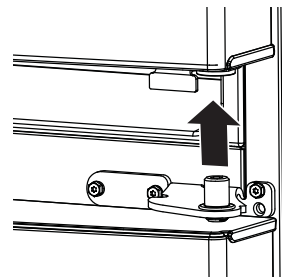


### 1 REMOVE THE REFRIGERATOR DOORS (Cont.)

B. Remove right and left hinge covers on top of the refrigerator using a Phillips screwdriver.



C. Using a 5/16" socket/ratchet driver, remove the bolts securing the top hinge to the cabinet. Lift the hinge straight up to remove.

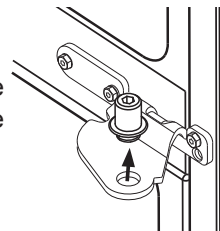


D. Remove the tape and tilt the fresh food door away from the cabinet. Lift the door off of the center hinge pin.

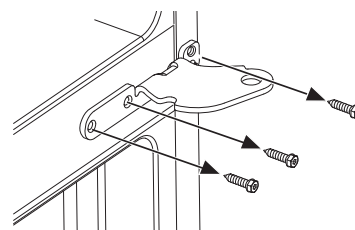
E. Set the fresh food door on a non-scratching surface with the inside up.

### For Models With a Freezer DRAWER:

F. Using a 1/4" Allen wrench, remove the hinge pin from the hinge bracket. The hinge pin will be used again on the opposite side.



G. Using a 5/16" socket/ratchet driver, remove the bolts securing the center hinge to the cabinet.

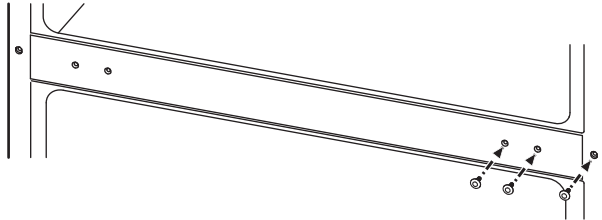


# Installation Instructions

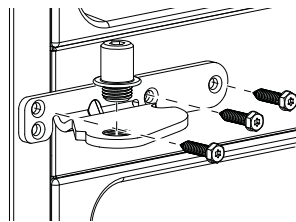
## INSTALLING THE REFRIGERATOR (Cont.)

### 1 REMOVE THE REFRIGERATOR DOORS (Cont.)

H. Remove the button plugs on the left side of the cabinet across from where the hinge bracket was located and install in the holes where the bracket was removed.



I. Flip the center hinge bracket and install on the left side of the cabinet where the button plugs were removed.

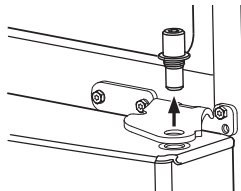


J. Using a 1/4" Allen wrench, install the hinge pin into the center hinge bracket.

**For Models With a Freezer DOOR:**

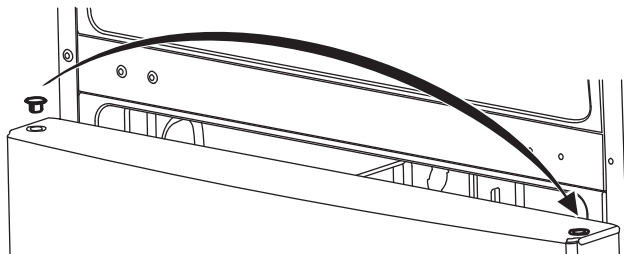
F. Tape the freezer door shut with adhesive tape.

G. Using a 1/4" Allen wrench, remove the hinge pin from the hinge bracket. The hinge pin will be used again on the opposite side.



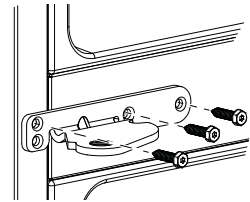
H. Remove the tape and tilt the door away from the cabinet. Lift the door off of the bottom hinge pin.

I. Using a thin-blade screwdriver remove the button plug from the top left side of the door and install it on the opposite side.

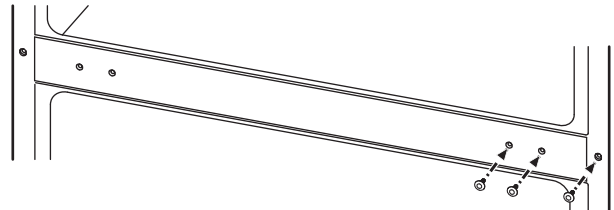


J. Set the door on a non-scratching surface with the inside up.

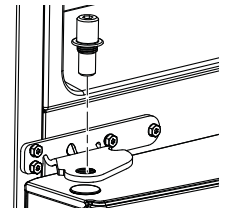
K. Using a 5/16" socket/ratchet driver, remove the bolts securing the center hinge to the cabinet.



L. Locate the button plugs in the kit and install them in the opposite side of center hinge.

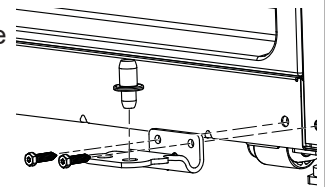


M. Flip the center hinge bracket. Using a 5/16" socket/ratchet driver, install the center hinge bolt on the left side of the cabinet and torque to 60 in-lb. (6.78 Nm).

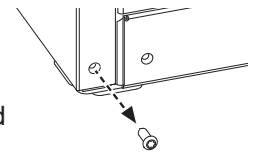


N. Using a 1/4" Allen wrench, install the hinge pin into the center hinge bracket. Do not let the pin go past the bottom of the bracket.

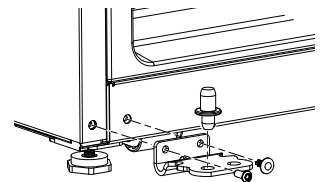
O. Using a 5/16" socket/ratchet driver, remove the screws from the bottom hinge bracket. These will be reinstalled on the other side. Pull up on the hinge pin to remove.



P. Using a Torx T-20 screwdriver, remove the screw from the cabinet and install it on the other side.



Q. Using 5/16" socket/ratchet driver, install the bottom hinge bracket and torque the screws to 60 in-lb. (6.78 Nm). Remount the hinge and pin in the opposite hole on the cabinet.





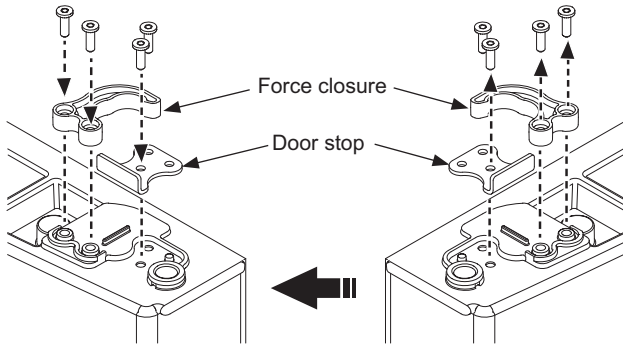
# Installation Instructions

## INSTALLING THE REFRIGERATOR (Cont.)

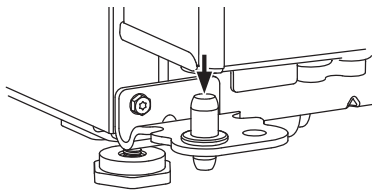
**⚠ WARNING** Follow all steps when reversing the door swing. Failure to follow these instructions, leaving off parts, or overtightening screws, can lead to the door falling off and result in injury and property damage.

### 2 REINSTALL FREEZER DOOR

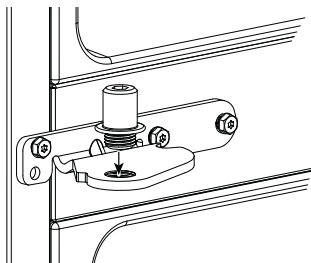
- A. Using a Torx T-20 screwdriver, remove the bolts securing the door stop on the bottom right of the door.
- B. Using a Trox T-20 screwdriver, remove the plastic force closure on the bottom right of the door.
- C. Flip the plastic force closure and mount it to the bottom left of the door.
- D. Install the door stop to the bottom left of the door.



- E. Lower the freezer door and make sure to insert the hinge pin in the bottom hole of the door.

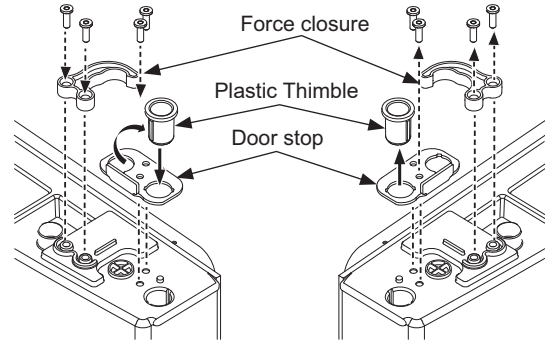


- F. Straighten the door and line it up with the center hinge bracket. Using a 1/4" Allen wrench, turn the hinge pin until it extends through the hinge bracket and into the door.

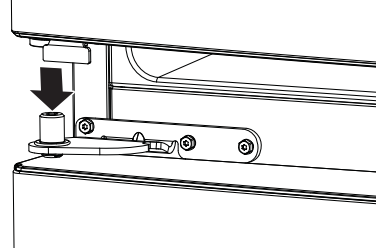


### 3 REINSTALL FRESH FOOD DOOR

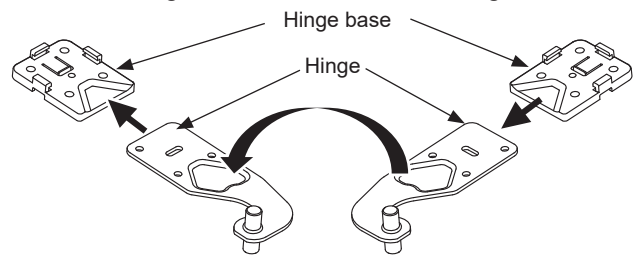
- A. Using a Torx T-20 screwdriver, remove the bolts securing the door stop on the bottom right of the door.



- B. Transfer the plastic thimble to the opposite hole. Install the door stop with the plastic thimble on the opposite side.
- C. Using a Trox T-20 screwdriver, remove the plastic force closure on the bottom right of the door.
- D. Flip the plastic force closure and mount it to the bottom left of the door.
- E. Install the door stop to the bottom left of the door.
- F. Lower the fresh food door and make sure to insert the hinge pin in the bottom hole of the door.



- G. Remove the hinge base from the hinge. Flip the hinge over and remount to hinge base.



# Installation Instructions

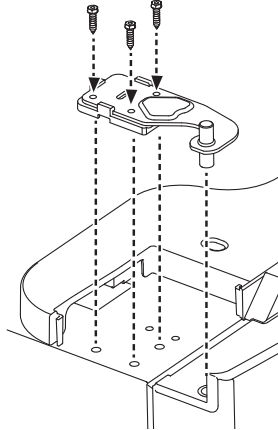
## INSTALLING THE REFRIGERATOR (cont.)

### 3 REINSTALL FRESH FOOD DOOR (Cont.)

H. Insert the top hinge pin inside the hole in the top left of the fresh food door. Make sure the door is aligned with the cabinet. Attach the hinge to the top of the cabinet loosely with the bolts that were removed previously.

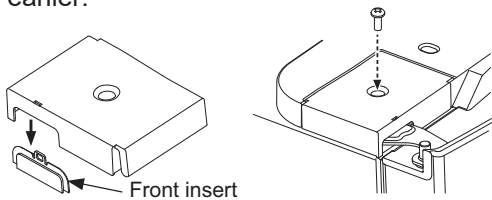
Make sure the gasket on the door is flush against the cabinet and not folded.

Support the door on the handle side and make sure the door is straight and the gap between the doors is even across the front. While holding the door in place, tighten the screws to 60 in-lb. (6.78 Nm).

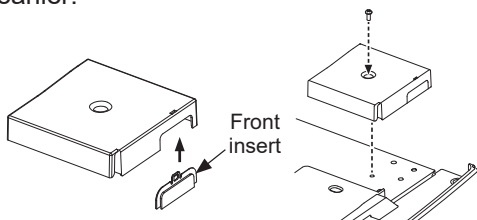


#### For Models with a Freezer DRAWER:

I. Remove the front insert from the left hinge cover. Install the left hinge cover using a Phillips screwdriver and the screw removed earlier.

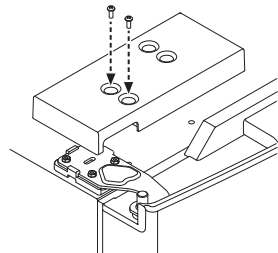


J. Install the front insert into the right hinge cover. Install the right hinge cover using a Phillips screwdriver and the screws removed earlier.



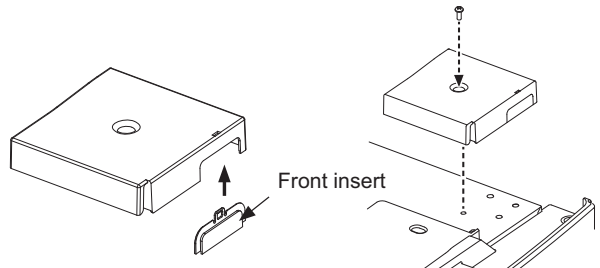
#### For Models with a Freezer DOOR:

I. Locate the left hinge cover that comes with the kit. Using a Phillips screwdriver, install the cover with the screws provided.



### 3 REINSTALL FRESH FOOD DOOR (Cont.)

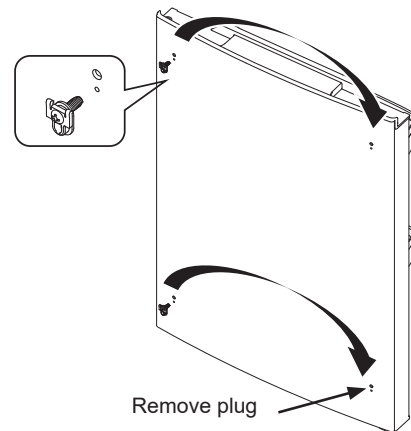
J. Locate the insert for the right hinge cover that comes with the kit and install.



K. Using a Phillips screwdriver, install the right hinge cover with screws provided.

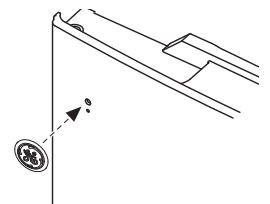
### 4 TRANSFER HANDLE MOUNTING FASTENERS

- Remove the plug from the lower right hole.
- Using a Phillips screwdriver remove the screws holding the mounting brackets from the left side and install them on the right side.

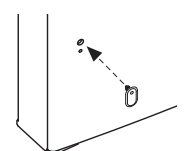


### 5 INSTALLING LOGO BADGE

A. Locate the new logo badge from the kit. Remove the adhesive backing paper and align the pins on the back of the badge with the holes in the door. Apply pressure to the badge to ensure it sticks to the door.



B. Locate the button plug from the kit and install it in the opposite side of handle.



# Installation Instructions

## INSTALLING THE REFRIGERATOR (cont.)

### CONNECTING TO THE HOUSE WATER LINE

#### (Icemaker models only)

A cold water supply is required for automatic icemaker operation. If there is not a cold water supply, you will need to provide one. See Installing the Water Line section.

#### NOTES:

- Before making the connection to the refrigerator, be sure the refrigerator power cord is not plugged into the wall outlet.
- If your refrigerator does not have a water filter, we recommend installing one if your water supply has sand or particles that could clog the screen of the refrigerator's water valve. Install it in the water line near the refrigerator. If using SmartConnect™ Refrigerator Tubing Kit, you will need an additional tube (WX08X10002) to connect the filter. Do not cut plastic tube to install filter.
- Before connecting the water line to the house, purge the house line for at least 2 minutes.
  - A. If you are using copper tubing**, place a compression nut and ferrule (sleeve) onto the end of the tubing coming from the house cold water supply.
 

If you are using the SmartConnect™ tubing, the nuts are already assembled to the tubing.
  - B. If you are using copper tubing**, insert the end of the tubing into the refrigerator connection, at the back of the refrigerator, as far as possible. While holding the tubing, tighten the fitting.
 

If you are using SmartConnect™ tubing, insert the molded end of the tubing into the refrigerator connection, at the back of the refrigerator, and tighten the compression nut until it is hand tight. Then tighten one additional turn with a wrench. Over tightening may cause leaks.
  - C. Fasten the tubing into the clamp** provided to hold it in position. You may need to pry open the clamp.

One of the illustrations below will look like the connection on your refrigerator.

#### **⚠ WARNING**

Connect to potable water supply only.

A cold water supply is required for automatic icemaker operation. The water pressure must be between 40 and 120 psi (275-827 kilopascals).

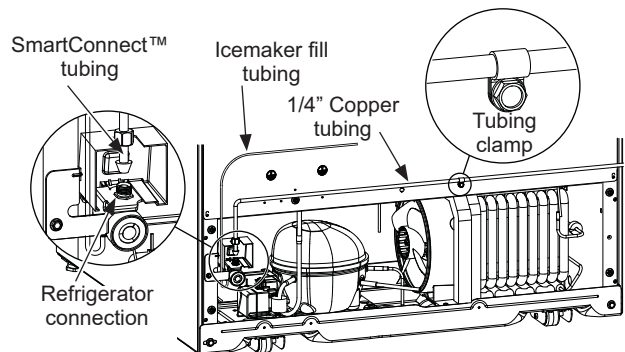
#### **⚠ WARNING**



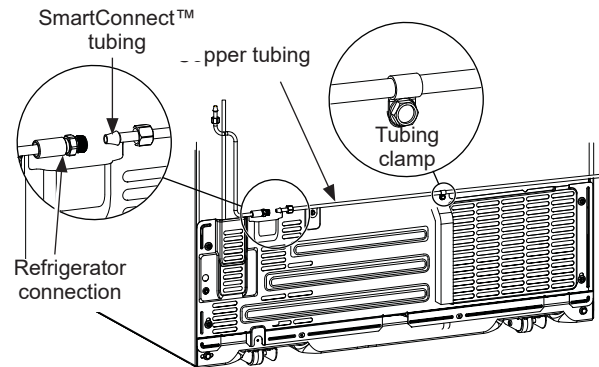
#### **ELECTRIC SHOCK HAZARD**

Attach tubing clamp using existing hole only. DO NOT drill into the refrigerator.

#### Icemaker-Ready Models



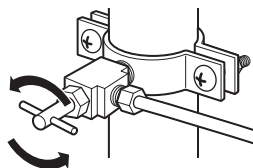
#### Icemaker-Installed Models



### TURN ON THE WATER SUPPLY

#### (Icemaker models only)

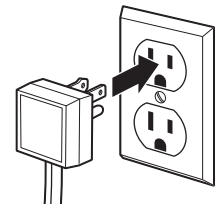
Turn the water on at the shutoff valve (house water supply) and check for any leaks.



### PLUG IN THE REFRIGERATOR

On models with an icemaker, before plugging in the refrigerator, make sure the icemaker power switch is set to the 0 (off) position.

See the grounding information attached to the power cord.



# Installation Instructions

## INSTALLING THE REFRIGERATOR (cont.)

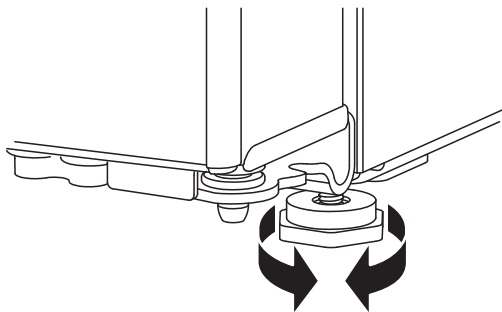
### PUT THE REFRIGERATOR IN PLACE

Move the refrigerator to its final location.

### LEVEL THE REFRIGERATOR

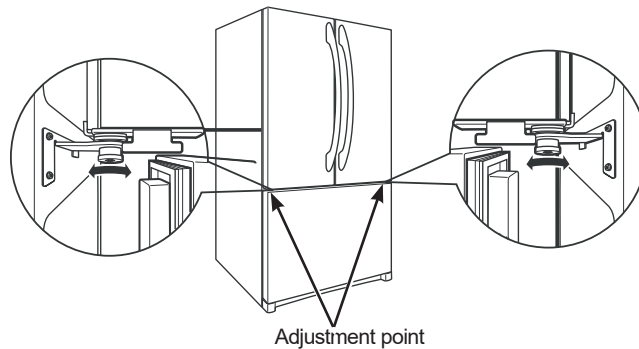
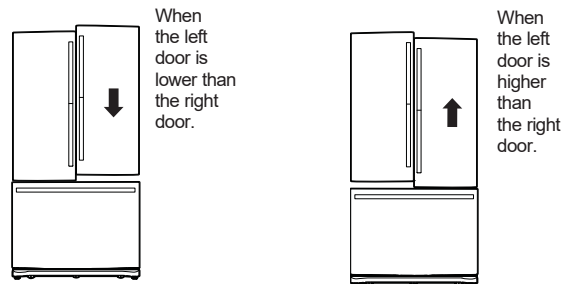
**Adjustable legs** at the front corners of the refrigerator should be set so the refrigerator is firmly positioned on the floor, and the front is raised just enough that the door closes easily when opened about halfway.

**To adjust the leveling legs**, turn the legs **clockwise to raise** the refrigerator, **counterclockwise to lower** it.



### LEVEL THE REFRIGERATOR DOORS (on some models)

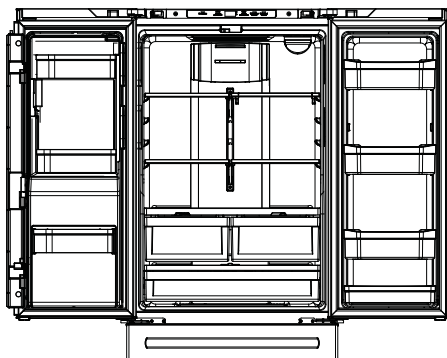
Remember a level refrigerator is necessary for getting the doors perfectly even. If you need help, review the previous section on leveling the refrigerator.



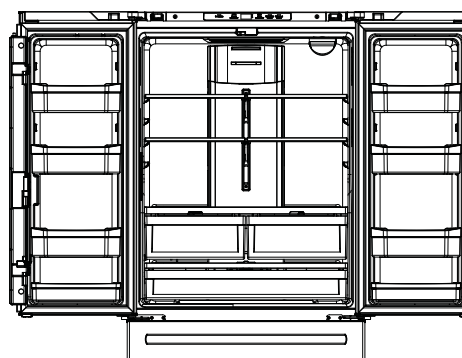
If the doors remain uneven, turn the adjustable pin to raise the lowest door using a 1/4" allen wrench to turn the pin.

### Refrigerator suggested assembly

Shelves shown in the location for best energy efficiency.



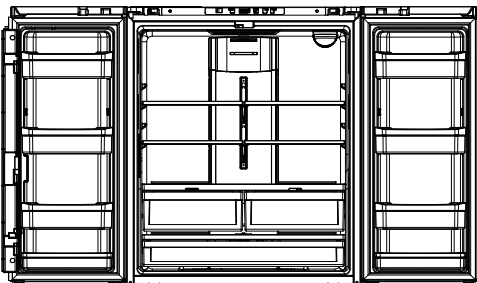
**GYE18J, PYE18H**  
18 cuft. Models  
French Door with Freezer Drawer



**GWE19J**  
19 cuft. Models  
French Door with Freezer Drawer

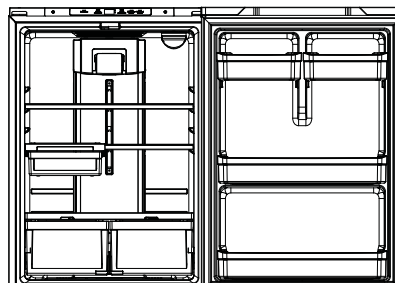
# Installation Instructions

**Refrigerator suggested assembly (cont.)**  
 Shelves shown in the location for best energy efficiency.



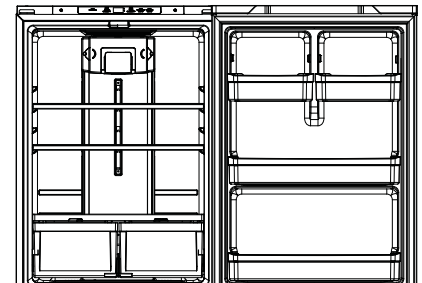
**GNE21D, GNE21F,  
 PNE21K, PNE21N**  
 21 cuft. Models

French Door with Freezer Drawer

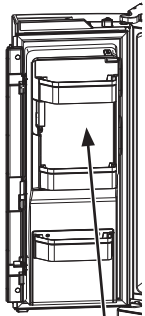


**GDE21D, GDE21E,  
 PDE21K, GDE25E**  
 21, 25 cuft. Models

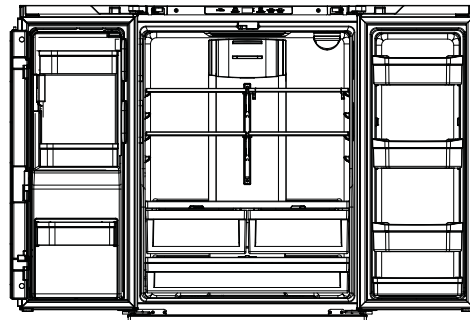
Single Door with Freezer Drawer



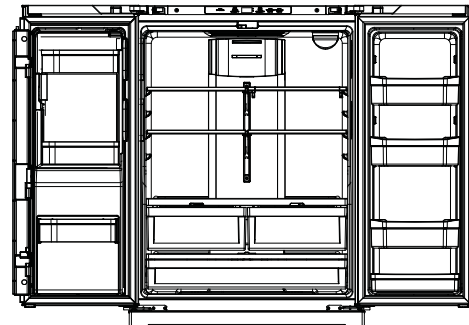
**GBE21D, GBE21A**  
 21 cuft. Models  
 Single Door with Freezer Door



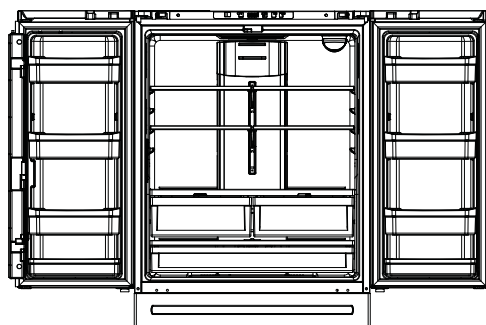
Icemaker in the door is available for all 24 and 26 french door models.



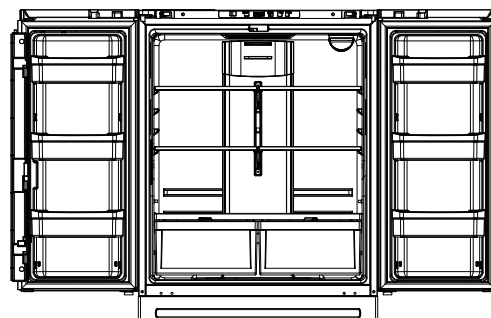
**GFE24J, PFE24J, CFE24S,  
 PFE24H** 24 cuft. Models  
 French Door with Freezer Drawer



**GFE26J**  
 26 cuft. Models  
 French Door with Freezer Drawer



**GNE25D, GNE25J, PNE25J,  
 CNE25S, PNE25N, GNE27J**  
 25, 27 cuft. Models  
 French Door with Freezer Drawer



**GNE27E**  
 27 cuft. Models  
 French Door with Freezer Drawer

# Installation Instructions

## INSTALLING THE WATER LINE

### BEFORE YOU BEGIN

Recommended copper water supply kits are WX8X2, WX8X3 or WX8X4, depending on the amount of tubing you need. Approved plastic water supply lines are SmartConnect™ Refrigerator Tubing (WX08X10006, WX08X10015 and WX08X10025).

When connecting your refrigerator to a GE Appliances Reverse Osmosis Water System, the only approved installation is with a GE Appliances RVKit. For other reverse osmosis water systems, follow the manufacturer's recommendations.

If the water supply to the refrigerator is from a Reverse Osmosis Water Filtration System (RO) AND the refrigerator also has a water filter, use the refrigerator's filter bypass plug. Using the refrigerator's water filtration cartridge in conjunction with an RO water filter can result in hollow ice cubes. Some models do not come equipped with the filter bypass plug. To obtain a free bypass plug, call 800-GEARES. In Canada call 800.561.3344.

This water line installation is not warranted by the refrigerator or icemaker manufacturer. Follow these instructions carefully to minimize the risk of expensive water damage.

Water hammer (water banging in the pipes) in house plumbing can cause damage to refrigerator parts and lead to water leakage or flooding. Call a qualified plumber to correct water hammer before installing the water supply line to the refrigerator.

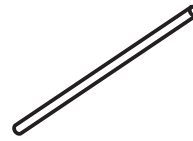
To prevent burns and product damage, do not hook up the water line to the hot water line.

Do not install the icemaker tubing in areas where temperatures fall below freezing.

When using any electrical device (such as a power drill) during installation, be sure the device is double insulated or grounded in a manner to prevent the hazard of electric shock, or is battery powered.

All installations must be in accordance with local plumbing code requirements.

### WHAT YOU WILL NEED



- Copper or SmartConnect™ Refrigerator Tubing kit, 1/4" outer diameter to connect the refrigerator to the water supply. If using copper, be sure both ends of the tubing are cut square.

To determine how much tubing you need: measure the distance from the water valve on the back of the refrigerator to the water supply pipe. Be sure there is sufficient extra tubing to allow the refrigerator to move out from the wall after installation.

SmartConnect™ Refrigerator Tubing Kits are available in the following lengths:

- |             |              |
|-------------|--------------|
| 6' (1.8 m)  | – WX08X10006 |
| 15' (4.6 m) | – WX08X10015 |
| 25' (7.6 m) | – WX08X10025 |

### ▲ WARNING

Connect to potable water supply only.

A cold water supply is required for automatic icemaker operation. The water pressure must be between 40 and 120 psi (275-827 kilopascals)



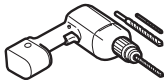
# Installation Instructions

## INSTALLING THE WATER LINE (cont.)

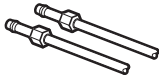
### WHAT YOU WILL NEED (cont.)

**NOTE:** The only GE Appliances approved plastic tubing is that supplied in SmartConnect™ Refrigerator Tubing kits. Do not use any other plastic water supply line because the line is under pressure at all times. Certain types of plastic will crack or rupture with age and cause water damage to your home.

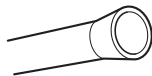
- A GE Appliances water supply kit (containing tubing, shutoff valve and fittings listed below) is available at extra cost from your dealer or from Parts and Accessories, 877.959.8688 (in Canada 1.800.661.1616).
- A cold water supply. The water pressure must be between 20 and 120 p.s.i. (138-827 kPa).



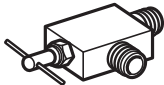
- Power drill.
- 1/2" or adjustable wrench.
- Straight and Phillips blade screwdriver.



- Two 1/4" outer diameter compression nuts and 2 ferrules (sleeves)—to connect the copper tubing to the shutoff valve and the refrigerator water valve. OR
- If you are using a SmartConnect™ Refrigerator Tubing kit, the necessary fittings are preassembled to the tubing.



- If your existing copper water line has a flared fitting at the end, you will need an adapter (available at plumbing supply stores) to connect the water line to the refrigerator OR you can cut off the flared fitting with a tube cutter and then use a compression fitting. Do not cut formed end from SmartConnect™ Refrigerator tubing.



- Shutoff valve to connect to the cold water line. The shutoff valve should have a water inlet with a minimum inside diameter of 5/32" at the point of connection to the COLD WATER LINE. Saddle-type shutoff valves are included in many water supply kits. Before purchasing, make sure a saddle-type valve complies with your local plumbing codes.

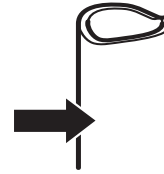
Install the shutoff valve on the nearest frequently used drinking water line.

### 1 SHUT OFF THE MAIN WATER SUPPLY

Turn on the nearest faucet long enough to clear the line of water.

### 2 CHOOSE THE VALVE LOCATION

Choose a location for the valve that is easily accessible. It is best to connect into the side of a vertical water pipe. When it is necessary to connect into a horizontal water pipe, make the connection to the top or side, rather than at the bottom, to avoid drawing off any sediment from the water pipe.

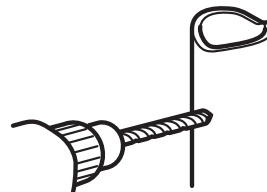


### 3 DRILL THE HOLE FOR THE VALVE

Drill a 1/4" hole in the water pipe (even if using a self-piercing valve), using a sharp bit. Remove any burrs resulting from drilling the hole in the pipe.

Take care not to allow water to drain into the drill.

Failure to drill a 1/4" hole may result in reduced ice production or smaller cubes.

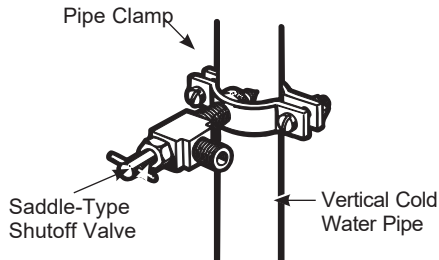


# Installation Instructions

## INSTALLING THE WATER LINE (cont.)

### 4 FASTEN THE SHUTOFF VALVE

Fasten the shutoff valve to the cold water pipe with the pipe clamp.

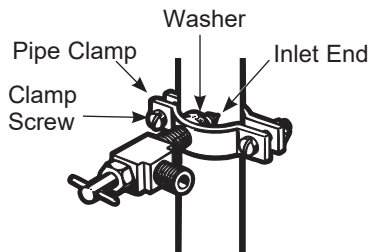


**NOTE:** Commonwealth of Massachusetts Plumbing Codes 248CMR shall be adhered to. Saddle valves are illegal and use is not permitted in Massachusetts. Consult with your licensed plumber.

### 5 TIGHTEN THE PIPE CLAMP

Tighten the clamp screws until the sealing washer begins to swell.

**NOTE:** Do not over tighten or you may crush the tubing.



### 6 ROUTE THE TUBING

Route the tubing between the cold water line and the refrigerator.

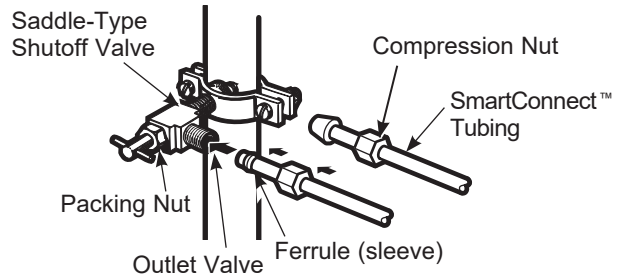
Route the tubing through a hole drilled in the wall or floor (behind the refrigerator or adjacent base cabinet) as close to the wall as possible.

### 7 FASTEN THE SHUTOFF VALVE

Place the compression nut and ferrule (sleeve) for copper tubing onto the end of the tubing and connect it to the shutoff valve.

Make sure the tubing is fully inserted into the valve. Tighten the compression nut securely.

For plastic tubing from a SmartConnect™ Refrigerator Tubing kit, insert the molded end of the tubing into the shutoff valve and tighten compression nut until it is hand tight, then tighten one additional turn with a wrench. Over tightening may cause leaks.



**NOTE:** Commonwealth of Massachusetts Plumbing Codes 248CMR shall be adhered to. Saddle valves are illegal and use is not permitted in Massachusetts. Consult with your licensed plumber.

### 8 FLUSH OUT THE TUBING

Turn the main water supply on and flush out the tubing until the water is clear.

Shut the water off at the water valve after about one quart (1 liter), or 2 minutes, of water has been flushed through the tubing.



To complete the installation of the refrigerator, go back to Step 11 in Installing the Refrigerator.



# Normal Operating Conditions.

Newer refrigerators sound different from older refrigerators.  
Modern refrigerators have more features and use newer technology.

## Do you hear what I hear? These conditions are normal.

**HUMMM...**

**WHOOSH...**

- The new high efficiency compressor may run faster and longer than your old refrigerator and you may hear a high-pitched hum or pulsating sound while it is operating.
- You may hear a whooshing sound when the doors close. This is due to pressure equalizing within the refrigerator.



- You may hear the fans spinning at high speeds. This happens when the refrigerator is first plugged in, when the doors are opened frequently or when a large amount of food is added to the refrigerator or freezer compartments. The fans are helping to maintain the correct temperatures.
- The fans change speeds in order to provide optimal cooling and energy savings.

## CLICKS, POPS, CRACKS and SNAPS

- You may hear cracking or popping sounds when the refrigerator is first plugged in. This happens as the refrigerator cools to the correct temperature.
- Expansion and contraction of cooling coils during and after defrost can cause a cracking or popping sound.
- On models with an icemaker, after an ice making cycle, you may hear the ice cubes dropping into the ice bucket.
- On models with a dispenser, during water dispense, you may hear the water lines move at initial dispense and after dispenser button is released.

## WATER SOUNDS



- The flow of refrigerant through the cooling coils may make a gurgling noise like boiling water.
- Water dropping on the defrost heater can cause a sizzling, popping or buzzing sound during the defrost cycle.
- A water dripping noise may occur during the defrost cycle as ice melts from the evaporator and flows into the drain pan.
- Closing the door may cause a gurgling sound due to pressure equalization.

## Troubleshooting Tips... Before you call for service

Save time and money! Review the charts on the following pages first and you may not need to call for service.

<b>Problem</b>	<b>Possible Causes</b>	<b>What to Do</b>
Refrigerator does not operate	Refrigerator in defrost cycle.	Wait about 30 minutes for defrost cycle to end.
	Either or both controls set to OFF.	Set the controls to a lower temperature setting.
	Refrigerator is unplugged.	Push the plug completely into the outlet.
	The fuse is blown/circuit breaker is tripped.	Replace fuse or reset the breaker.
	Refrigerator is in showroom mode.	Unplug the refrigerator and plug it back in.
Vibration or rattling (slight vibration is normal)	Leveling legs need adjusting.	See Level the refrigerator.
Motor operates for long periods or cycles on and off frequently. (Modern refrigerators with more storage space and a larger freezer require more operating time. They start and stop often to maintain even temperatures.)	Normal when refrigerator is first plugged in.	Wait 24 hours for the refrigerator to completely cool down.
	Often occurs when large amounts of food are placed in refrigerator.	This is normal.
	Door left open.	Check to see if package is holding door open.
	Hot weather or frequent door openings.	This is normal.
	Temperature controls set at the coldest setting.	See Controls section
Refrigerator or freezer compartment too warm	Temperature control not set cold enough.	See Controls section
	Warm weather or frequent door openings.	Set the temperature control one step colder. See Controls section
	Door left open.	Check to see if package is holding door open.
Frost or ice crystals on frozen food (frost within package is normal)	Door left open.	Check to see if package is holding door open.
	Too frequent or too long door openings.	This is normal.
Divider between refrigerator and freezer compartments feels warm	Automatic energy saver system circulates warm liquid around front edge of freezer compartment.	This helps prevent condensation on the outside.
Automatic icemaker does not work	Icemaker power switch is in the OFF position.	Set the power switch to the ON position.
	Water supply turned off or not connected.	See Installing the Water Line section
	Freezer compartment too warm.	Wait 24 hours for the refrigerator to completely cool down.
	Piled up cubes in the storage bin cause the icemaker to shut off.	Level cubes by hand.
	Ice cubes stuck in icemaker.	Turn off the icemaker, remove cubes, and turn the icemaker back on.
Freezer cooling, fresh food not cooling	Normal, when refrigerator first plugged in or after extended power outage	Wait 24 hours for temperature in both compartments to reach selected temperatures.
Ice dispenser opens after closing freezer drawer (on some models)	Normal	The ice dispenser door may open after closing freezer door to allow access.

# Troubleshooting Tips... Before you call for service

<b>Problem</b>	<b>Possible Causes</b>	<b>What to Do</b>
Ice cubes have odor/taste	Ice storage bin needs cleaning.	Empty and wash bin. Discard old cubes.
	Food transmitting odor/taste to ice cubes.	Wrap foods well.
	Interior of refrigerator needs cleaning.	See Care and Cleaning section.
Small or hollow cubes	Water filter clogged.	Replace filter cartridge with new cartridge or with plug.
Slow ice cube freezing	Door left open.	Check to see if package is holding door open.
	Temperature control not set cold enough.	See Controls section
Frequent 'buzzing sound"	Icemaker power switch is in the I (on) position, but the water supply to the refrigerator has not been connected.	Set the power switch to the 0 (off) position. Keeping it in the I (on) position will damage the water valve.
Orange glow in the freezer	Defrost heater is on.	This is normal.
Water has poor taste/odor	Water dispenser has not been used for a long time.	Dispense water until all water in system is replenished.
Water in first glass is warm	Normal when refrigerator is first installed.	Wait 24 hours for the refrigerator to completely cool down.
	Water dispenser has not been used for a long time.	Dispense water until all water in system is replenished.
	Water system has been drained.	Allow several hours for replenished supply to chill.
Water dispenser does not work	Water supply line turned off or not connected.	See Installing the water line section
	Water filter clogged.	Replace filter cartridge or remove filter and install plug.
	Air may be trapped in the water system.	Press the dispenser arm for at least two minutes.
	Dispenser is LOCKED.	Press and hold the LOCK pad for 3 seconds.
Water spurting from dispenser	Newly-installed filter cartridge.	Run water from the dispenser for 3 minutes (about one and a half gallons).
Water is not dispensed but icemaker is working	Water in reservoir is frozen.	Call for service.
	Refrigerator control setting is too cold.	Set to a warmer setting.
No water or ice cube production	Supply line or shutoff valve is clogged.	Call a plumber.
	Water filter clogged.	Replace filter cartridge or remove filter and install plug.
Refrigerator has odor	Foods transmitting odor to refrigerator.	Foods with strong odors should be tightly wrapped. Keep an open box of baking soda in the refrigerator; replace every three months.
	Interior needs cleaning.	See Care and Cleaning section
Moisture forms on outside of refrigerator	Not unusual during periods of high humidity.	Wipe surface dry.
Moisture collects inside (in humid weather, air carries moisture into refrigerator when doors are opened)	Too frequent or too long door openings.	This is normal.
	Due to the higher humidity in the refrigerator, you may on occasion experience fog or small amounts of moisture in the refrigerator compartment.	This is normal and may come and go as different food loads and environmental conditions change. Wipe dry with a paper towel if desired.
Interior light does not work	No power at outlet.	Replace fuse or reset the breaker.
	LED lights are out	Call Service - see Replacing the Lights

## Troubleshooting Tips... Before you call for service

Save time and money! Review the charts on the following pages first and you may not need to call for service.

Problem	Possible Causes	What to Do
Hot air from bottom of refrigerator	Normal air flow cooling motor. In the refrigeration process, it is normal that heat be expelled in the area under the refrigerator. Some floor coverings are sensitive and will discolor at these normal and safe temperatures.	This is normal.
Refrigerator never shuts off but the temperatures are OK	Adaptive defrost keeps compressor running during door openings.	This is normal. The refrigerator will cycle off after the door remains closed for 2 hours.
Refrigerator is beeping	Door is open.	Close door.
Door not closing properly	Door gasket on hinge side sticking or folding over.	Apply paraffin wax to the face of the gasket.
Actual temperature not equal to Set temperature	Unit just plugged in.	Allow 24 hours for system to stabilize.
	Door open for too long.	Allow 24 hours for system to stabilize.
	Warm food added to refrigerator.	Allow 24 hours for system to stabilize.
	Defrost cycle is in process.	Allow 24 hours for system to stabilize.
Door/drawer does not close by itself	Leveling legs need adjusting.	See level the refrigerator
Freezer door/drawer pops open when refrigerator door is closed	This is normal if, after popping open, the freezer door/drawer closed on its own.	This indicates that there is a good seal on the freezer door/ drawer. If the freezer door/drawer does not automatically close after popping open, then see the <b>Problem:</b> Door/ drawer does not close by itself, above.
Food freezing in the refrigerator	Food too close to the air vent at the back of the refrigerator.	Move the food away from the air vent.
	Refrigerator control is set too cold.	Move the refrigerator control to a warmer temperature setting one increment at a time.
Water is leaking from dispenser	Glass not being held under the dispenser long enough after button is released.	Hold the glass underneath the dispenser for 2–3 seconds after releasing the dispenser button. Water may continue to dispense after the button is released
	Air may be present in the water line system, causing water to drip after being dispensed.	Dispense water for at least 2 minutes to remove air from system.
My display is showing <b>tc</b>	Turbo Cool function is activated.	See Controls section
Water filter indicator light changed color	This is normal.	See Water Filter Cartridge - XWF section
Water filter indicator light remains red even after replacing the water filter	Water filter indicator must be reset.	Press and hold the WATER FILTER pad for 3 seconds. See Water Filter Cartridge - XWF section.
Water filter indicator light is not lit	This is normal. The filter cartridge should be replaced when the replacement indicator light turns red.	See Water Filter Cartridge - XWF section
Handle is loose / handle has a gap	Handle needs adjusting.	See Attach the Fresh Food Handle and Attach the Freezer Handle sections
Refrigerator doors are not even (on French Door models only)	Doors need realigning.	See Level the Refrigerator Doors section.
Baskets stick or jam when opening or closing	Baskets are too full.	<b>To open:</b> remove some of the products from the basket when opened as far as possible. Readjust the products left in the basket and try to open the basket again. <b>To close:</b> readjust products in the basket or remove any product that is above the rim of the basket and close the basket.

# GE Appliances Refrigerator Warranty

## GEAppliances.com

For US Customers, all warranty service is provided by our Factory Service Centers, or an authorized Customer Care® technician. To schedule service online, visit us at [www.geappliances.com](http://www.geappliances.com), or call GE Appliances at 800.GE.CARES (800.432.2737). Please have your serial number and your model number available when calling for service. In Canada, call 800.561.3344.

Servicing your refrigerator may require the use of the onboard data port for diagnostics. This gives a GE Appliances Factory Service technician the ability to quickly diagnose any issues with your appliance and helps GE Appliances improve its products by providing GE Appliances with information on your appliance. If you do not want your appliance data to be sent to GE Appliances, please advise your technician NOT to submit the data to GE Appliances at the time of service.

For the Period of:	GE Appliances Will Replace
<b>One Year</b> From the date of the original purchase	<b>Any part</b> of the refrigerator which fails due to a defect in materials or workmanship. During the <b>limited one-year warranty</b> , GE Appliances will also provide, <b>free of charge</b> , all labor and related service to replace the defective part.
<b>Thirty Days</b> (Water filter, if included) From the original purchase date of the refrigerator	<b>Any part</b> of the water filter cartridge which fails due to a defect in materials or workmanship. During this <b>limited thirty-day warranty</b> , GE Appliances will also provide, <b>free of charge</b> , a replacement water filter cartridge.

### GE PROFILE™ AND GE CAFÉ™ MODELS

<b>Five Years</b> From the date of the purchase	<b>Any part</b> of the sealed refrigerating system (the compressor, condenser, evaporator and all connecting tubing) which fails due to a defect in materials or workmanship. During this <b>limited five-year sealed refrigerating system warranty</b> , GE Appliances will also provide, <b>free of charge</b> , all labor and related service to replace the defective part in the sealed refrigerating system.
--	--

### What GE Appliances Will Not Cover:

- Service trips to your home to teach you how to use the product.
- Improper installation, delivery or maintenance.
- Failure of the product if it is abused, misused, or used for other than the intended purpose or used commercially.
- Loss of food due to spoilage.
- Replacement of house fuses or resetting of circuit breakers.
- Damage to finish, such as surface rust, tarnish, or small blemishes not reported within 48 hours of delivery.
- Replacement of the water filter cartridge, if included, due to water pressure that is outside the specified operating range or due to excessive sediment in the water supply.
- Replacement of the light bulbs, if included, or water filter cartridge, if included, other than as noted above.
- Damage to the product caused by accident, fire, floods or acts of God.
- Incidental or consequential damage caused by possible defects with this appliance.
- Product not accessible to provide required service.
- Damage caused by a non-GE Appliances Brand water filter.

### EXCLUSION OF IMPLIED WARRANTIES

Your sole and exclusive remedy is product repair as provided in this Limited Warranty. Any implied warranties, including the implied warranties of merchantability or fitness for a particular purpose, are limited to one year or the shortest period allowed by law.

**For US Customers:** This warranty is extended to the original purchaser and any succeeding owner for products purchased for home use within the USA. If the product is located in an area where service by a GE Appliances Authorized Servicer is not available, you may be responsible for a trip charge or you may be required to bring the product to an Authorized GE Appliances Service location for service. In Alaska, the warranty excludes the cost of shipping or service calls to your home.

Some states do not allow the exclusion or limitation of incidental or consequential damages. This warranty gives you specific legal rights, and you may also have other rights which vary from state to state. To know what your legal rights are, consult your local or state consumer affairs office or your state's Attorney General.

**Warrantor: GE Appliances, a Haier company**

**For Customers in Canada:** This warranty is extended to the original purchaser and any succeeding owner for products purchased in Canada for home use within Canada. In-home warrant service will be provided in areas where it is available and deemed reasonable by MC Commercial Inc. to provide. If the product is located in an area where service by a GE Appliances Authorized Servicer is not available, you may be responsible for a trip charge or you may be required to bring the product to an Authorized GE Appliances Service location for service.

**Warrantor Canada: MC Commercial Inc., Burlington Ontario, L7R 5B6**

Staple your receipt here. Proof of the original purchase date is needed to obtain service under the warranty.

# XWF Water Filter Cartridge Limited Warranty

Contact us at [www.geapplianceparts.com](http://www.geapplianceparts.com), or call 800.GE.CARES.

<b>For the period of</b>	<b>GE Appliances will replace</b>
<b>Thirty Days</b> From the date of the original purchase	<b>Any part</b> of the water filter cartridge which fails due to a defect in materials or workmanship during this <b>limited thirty-day warranty</b> .*

## What GE Appliances will not cover:

- Service trips to your home to teach you how to use the product.
- Improper installation.
- Failure of the product if it is abused, misused, used for other than the intended purpose or used commercially.
- Replacement of house fuses or resetting of circuit breakers.
- Damage to the product caused by accident, fire, floods, or acts of God.
- Incidental or consequential damage caused by possible defects with this appliance.

## EXCLUSION OF IMPLIED WARRANTIES

Your sole and exclusive remedy is part exchange as provided in this Limited Warranty. Any implied warranties, including the implied warranties of merchantability or fitness for a particular purpose, are limited to six months or the shortest period allowed by law.

This warranty is extended to the original purchaser and any succeeding owner for products purchased for home use within the USA. In Alaska, the warranty excludes the cost of shipping or service calls to your home.

Some states do not allow the exclusion or limitation of incidental or consequential damages. This warranty gives you specific legal rights, and you may also have other rights which vary from state to state. To know what your legal rights are, consult your local or state consumer affairs office or your state's Attorney General.

**For Purchases Made In Iowa:** This form must be signed and dated by the buyer and seller prior to the consummation of this sale.

This form should be retained on file by the seller for a minimum of two years.

## Buyer:

Name \_\_\_\_\_  
 Address \_\_\_\_\_  
 City \_\_\_\_\_ State \_\_\_\_\_ Zip \_\_\_\_\_  
 Signature \_\_\_\_\_ Date \_\_\_\_\_

## Seller:

Name \_\_\_\_\_  
 Address \_\_\_\_\_  
 City \_\_\_\_\_ State \_\_\_\_\_ Zip \_\_\_\_\_  
 Signature \_\_\_\_\_ Date \_\_\_\_\_

\*If your GE Appliances part fails because of a manufacturing defect within thirty days from the date of original purchase for use, we will give you a new or, at our option, a rebuilt part without charge. Return the defective part to the parts supplier from whom it was purchased together with a copy of the "proof of purchase" for the part. If the part is defective and shows no signs of abuse, it will be exchanged. The warranty does not cover the failure of parts which are damaged while in your possession, are abused, or have been installed improperly. It does not cover the cost of returning the part to the supplier from whom it was purchased nor does it cover the cost of labor to remove or install it to diagnose the fault. It does not cover parts used in products in commercial use except in the case of air conditioning equipment. In no event shall GE Appliances be liable for consequential damages. Warrantor: GE Appliances, a **Haier** company

Staple your receipt here. Proof of the original purchase date is needed to obtain service under the warranty.





# Performance Data Sheet

## Model: GE Appliances XWF

■ System certified by IAPMO R&T against NSF/ANSI Standards 42, 53, 401 for the reduction of claims specified on the performance data sheet and at iapmort.org.

■ Actual performance may vary with local water conditions.

Substance Tested for Reduction	Influent challenge concentration (mg/L)	Maximum permissible product water concentration (mg/L)	Avg % Reduction
Chlorine Taste and Odor	2.0 mg/L +/- 10%	N/A	96.9
Chloramine Taste and Odor	3.0 mg/L +/- 10%	0.5	96.9
Particulate, Class I	At least 10,000/mL	N/A	91.4
Cysts	50,000/L	N/A	>99.99
Lead	0.15	0.01	98.85
Mercury	0.006	0.002	96.3
Asbestos	107 to 108 fibers/ L	N/A	>99
Toxaphene	0.015 +/- 10%	0.003	86.95
VOC (Chloroform surrogate chemical)	0.300	0.015	99.7
Alachlor	0.050	0.001	> 98
Atrazine	0.100	0.003	> 97
Benzene	0.081	0.001	> 99
Carbofuran	0.190	0.001	> 99
carbon tetrachloride	0.078	0.0018	98
chlorobenzene	0.077	0.001	> 99
chloropicrin	0.015	0.0002	99
2,4-D	0.110	0.0017	98
dibromochloropropane (DBCP)	0.052	0.00002	> 99
o-Dichlorobenzene	0.08	0.001	> 99
p-Dichlorobenzene	0.040	0.001	> 98
1,2-dichloroethane	0.088	0.0048	95
1,1-dichloroethylene	0.083	0.001	> 99
cis-1,2-dichloroethylene	0.170	0.0005	> 99
trans-1,2-dichloroethylene	0.086	0.001	> 99
1,2-dichloropropane	0.080	0.001	> 99
cis-1,3-dichloropropylene	0.079	0.001	> 99
dinoseb	0.170	0.0002	99
Endrin	0.053	0.00059	99
Ethylbenzene	0.088	0.001	> 99
ethylene dibromide (EDB)	0.044	0.00002	> 99
bromochloroacetonitrile	0.022	0.0005	98
dibromoacetonitrile	0.024	0.0006	98
dichloroacetonitrile	0.0096	0.0002	98
trichloroacetonitrile	0.015	0.0003	98
1,1-dichloro-2-propanone	0.0072	0.0001	99
1,1,1-trichloro-2-propanone	0.0082	0.0003	96
heptachlor (H-34, Heptox)	0.025	0.00001	>99
heptachlor epoxide	0.0107	0.0002	98
hexachlorobutadiene	0.044	0.001	> 98
hexachlorocyclopentadiene	0.060	0.000002	> 99
Lindane	0.055	0.00001	> 99
methoxychlor	0.050	0.0001	> 99
pentachlorophenol	0.096	0.001	> 99
simazine	0.120	0.004	> 97
Styrene	0.150	0.0005	> 99
1,1,2,2-tetrachloroethane	0.081	0.001	> 99
Tetrachloroethylene	0.081	0.001	> 99
Toluene	0.078	0.001	> 99
2,4,5-TP (silvex)	0.270	0.0016	99
tribromoacetic acid	0.042	0.001	> 98
1,2,4-Trichlorobenzene	0.160	0.0005	> 99
1,1,1-trichloroethane	0.084	0.0046	95
1,1,2-trichloroethane	0.150	0.0005	> 99
trichloroethylene	0.180	0.0010	> 99
bromoform	0.300	0.015	95
bromodichloromethane	0.300	0.015	95
chlorodibromomethane	0.300	0.015	95
xylenes	0.070	0.001	>99
Meprobamate	400 +/- 20%	60	95.5
Atenolol	200 +/- 20%	30	95.9
Carbamazepine	1400 +/- 20%	200	98.6
DEET	1400 +/- 20%	200	98.6
Metolachlor	1400 +/- 20%	200	98.7
Trimethoprim	140 +/- 20%	20	96.1
Linuron	140 +/- 20%	20	96.6
TCEP	5000 +/- 20%	700	98.1
T CPP	5000 +/- 20%	700	98.1
Phenytoin	200 +/- 20%	30	96
Ibuprofen	400 +/- 20%	60	95.9
Naproxen	140 +/- 20%	20	96.5
Estrone	140 +/- 20%	20	97.1
Bisphenol A	2000 +/- 20%	300	99.1
Nonyl phenol	1400 +/- 20%	200	97.3

### Application Guidelines/Water Supply Parameters

Service Flow	0.5 gpm (1.89 lpm)
Water Supply	Potable Water
Water Pressure	25-120 psi (172-827 kPa)
Water Temperature	33°F-100°F (0.6°C-38°C)
Capacity	170 gallons (643.5 liters)

It is essential that the manufacturer's recommended installation, maintenance and filter replacement requirements be carried out for the product to perform as advertised. See Installation Manual for Warranty information.

**Note:** While the testing was performed under standard laboratory conditions, actual performance may vary.

Replacement Cartridge: XWF. For estimated costs of replacement elements please call 1.877.959.8688 or visit our website at [www.gewaterfilters.com](http://www.gewaterfilters.com).

### **WARNING** To reduce the risk associated with ingestion of contaminants:

- Do not use with water that is microbiologically unsafe or of unknown quality without adequate disinfection before and after the system. Systems certified for cyst reduction may be used on disinfected water that may contain filterable cysts.

### NOTICE

To reduce the risk of water leakage or flooding, and to ensure optimal filter performance:

- Read and follow use instructions before installation and use of this system.
- Installation and use **MUST** comply with all state and local plumbing codes.
- Do not install if water pressure exceeds 120 psi (827 kPa). If your water pressure exceeds 80 psi (552 kPa), you **must** install a pressure-limiting valve. Contact a plumbing professional if you are uncertain how to check your water pressure.
- Do not install where water hammer conditions may occur. If water hammer conditions exist you **must** install a water hammer arrester. Contact a plumbing professional if you are uncertain how to check for this condition.
- Do not install on hot water supply lines. The maximum operating water temperature of this filter system is 100° F (38° C).
- Protect filter from freezing. Drain filter when temperatures drop below 33°F (0.6°C).
- Change the disposable filter cartridge every six months or sooner if you observe a noticeable reduction in water flow rate.
- Failure to replace the disposable filter cartridge at recommended intervals may lead to reduced filter performance and cracks in the filter housing, causing water leakage or flooding.
- This System has been tested according to NSF/ANSI 42, 53 and 401 for the reduction of the substances listed below. The concentration of the indicated substances in water entering the system was reduced to a concentration less than or equal to the permissible limit for water leaving the system, as specified in NSF/ANSI 42, 53 and 401.



XWF System is certified by IAPMO R&T against NSF/ANSI Standards 42,53, and 401 for the reduction of claims specified on the performance data sheet and at iapmort.org.

# Consumer Support

---

## GE Appliances Website

Have a question or need assistance with your appliance? Try the GE Appliances Website 24 hours a day, any day of the year! You can also shop for more great GE Appliances products and take advantage of all our on-line support services designed for your convenience. In the US: [GEAppliances.com](http://GEAppliances.com) In Canada: [GEAppliances.ca](http://GEAppliances.ca)

---

## Register Your Appliance

Register your new appliance on-line at your convenience! Timely product registration will allow for enhanced communication and prompt service under the terms of your warranty, should the need arise. You may also mail in the pre-printed registration card included in the packing material.

In the US: [GEAppliances.com/register](http://GEAppliances.com/register)

In Canada: [Prodsupport.mabe.ca/crm/Products/ProductRegistration.aspx](http://Prodsupport.mabe.ca/crm/Products/ProductRegistration.aspx)

---

## Schedule Service

Expert GE Appliances repair service is only one step away from your door. Get on-line and schedule your service at your convenience any day of the year. In the US: [GEAppliances.com/service](http://GEAppliances.com/service) or call 800.432.2737 during normal business hours.

In Canada: [GEAppliances.ca/en/support/service-request](http://GEAppliances.ca/en/support/service-request) or call 800.561.3344

---

## Extended Warranties

Purchase a GE Appliances extended warranty and learn about special discounts that are available while your warranty is still in effect. You can purchase it on-line anytime. GE Appliances Services will still be there after your warranty expires. In the US: [GEAppliances.com/extended-warranty](http://GEAppliances.com/extended-warranty) or call 800.626.2224 during normal business hours.

In Canada: [GEAppliances.ca/en/support/purchase-extended-warranty](http://GEAppliances.ca/en/support/purchase-extended-warranty) or call 866.277.9842

---

## Parts and Accessories

Individuals qualified to service their own appliances can have parts or accessories sent directly to their homes (VISA, MasterCard and Discover cards are accepted). Order on-line today 24 hours every day.

In the US: [GEApplianceparts.com](http://GEApplianceparts.com) or by phone at 877.959.8688 during normal business hours.

**Instructions contained in this manual cover procedures to be performed by any user. Other servicing generally should be referred to qualified service personnel. Caution must be exercised, since improper servicing may cause unsafe operation.**

Customers in Canada should consult the yellow pages for the nearest authorized GE Appliances service parts distributor, visit our website at [GEAppliances.ca/en/products/parts-filters-accessories](http://GEAppliances.ca/en/products/parts-filters-accessories) or call 800.661.1616.

---

## Contact Us

If you are not satisfied with the service you receive from GE Appliances, contact us on our Website with all the details including your phone number, or write to:

In the US: General Manager, Customer Relations | GE Appliances, Appliance Park | Louisville, KY 40225

[GEAppliances.com/contact](http://GEAppliances.com/contact)

In Canada: Director, Consumer Relations, MC Commercial Inc. | Suite 310, 1 Factory Lane | Moncton, N.B. E1C 9M3

[GEAppliances.ca/en/contact-us](http://GEAppliances.ca/en/contact-us)

---



# RÉFRIGÉRATEUR à congélateur inférieur

## CONSIGNES DE SÉCURITÉ .....3

## CONSIGNES D'UTILISATION

- Fonctions .....5
- Commandes .....7
- Distributeur .....9
- Filtre à eau .....10
- Tablettes et balconnets ..... 11
- Bacs et tiroirs .....12
- Congélateur .....14
- Machine à glaçons automatique ..... 15

## ENTRETIEN ET NETTOYAGE...16

- Remplacement des ampoules ..... 17

## INSTRUCTIONS D'INSTALLATION

- Préparation avant installation du réfrigérateur .....18
- Dimensions de l'électroménager .....19
- Installation du réfrigérateur ..... 20
- Installation de l'alimentation en eau ..... 34

## DÉPANNAGE

- Bruits normaux de fonctionnement .....37
- Conseils de dépannage .....38

## GARANTIE .....41

## SOUTIEN AU CONSOMMATEUR

- Filtre à eau à cartouche XWF ..... 42
- Données de performance ..... 43
- Soutien au consommateur ..... 44

## MANUEL D'UTILISATION ET INSTRUCTIONS D'INSTALLATION

Modèles GE, GE Profile, et GE Café™ 18, 19, 21, 24, 25, 26 & 27 cuft

## FRANÇAIS

Écrivez ici le numéro de modèle et le numéro de série :

Modèle # \_\_\_\_\_

Série # \_\_\_\_\_

Vous trouverez ces numéros sur l'étiquette apposée sur le côté gauche à mi-hauteur du compartiment de réfrigération.

## **NOUS VOUS REMERCIONS D'ACCUEILLIR GE APPLIANCES CHEZ VOUS**

Que vous ayez grandi avec GE Appliances ou qu'il s'agisse de votre première acquisition, nous sommes heureux de vous accueillir dans notre famille.

Nous sommes fiers du savoir-faire, de l'innovation et de l'esthétique qui composent chaque appareil GE Appliances, et nous pensons que vous le serez aussi. Dans cette optique, nous vous rappelons que l'enregistrement de votre électroménager vous assure la communication de renseignements importants sur le produit et la garantie lorsque vous en avez besoin.

Enregistrez votre électroménager GE en ligne dès maintenant. Des sites Web et des numéros de téléphone utiles figurent dans la section Soutien au consommateur de ce manuel d'utilisation. Vous pouvez aussi poster la fiche de garantie pré-imprimée incluse dans l'emballage.



**GE APPLIANCES**

# INFORMATION DE SÉCURITÉ IMPORTANTES

## LISEZ TOUTES LES DIRECTIVES AVANT D'UTILISER L'APPAREIL

**⚠ AVERTISSEMENT** Pour réduire le risque d'incendie, d'explosion, de choc électrique ou de blessures lorsque vous utilisez votre réfrigérateur, veuillez suivre ces consignes de sécurité :

- Ce réfrigérateur doit être correctement installé conformément aux instructions d'installation avant toute utilisation.
- Débranchez le réfrigérateur avant d'effectuer une réparation ou de le nettoyer.  
**Remarque :** L'alimentation du réfrigérateur ne peut être déconnectée par aucune des fonctions sur le panneau de commande.  
**Remarque :** Les réparations doivent être effectuées par un professionnel qualifié.
- Remettez toutes les pièces et panneaux en place avant d'utiliser l'appareil.
- N'utilisez pas un cordon de rallonge.
- Abstenez-vous d'entreposer ou d'utiliser de l'essence ou d'autres vapeurs et liquides inflammables aux alentours de cet électroménager ou d'autres appareils.
- N'entreposez pas dans cet électroménager des substances explosives telles que des bombes aérosols qui contiennent un gaz propulseur.
- Afin de prévenir les risques d'asphyxie et d'enfermement des enfants, enlevez les portes des compartiments réfrigérateur et congélateur avant de mettre le réfrigérateur au rebut ou d'en cesser l'usage.
- Afin de prévenir les accidents graves ou la mort, les enfants ne doivent pas se tenir ni jouer dans ou sur l'électroménager.
- Les enfants et les personnes dont les capacités sont réduites sur le plan physique, sensoriel ou mental, ou qui manquent d'expérience ou de connaissances, peuvent utiliser cet électroménager seulement si elles sont surveillées ou ont reçues des consignes de sécurité sur son usage et les risques y sont associés.
- Cet électroménager est conçu pour une utilisation domestique et applications similaires : salle du personnel dans une usine, un bureau ou d'autres lieux de travail; maison de ferme; clients dans un hôtel, un motel, un gîte touristique et d'autres lieux résidentiels; approvisionnement et applications similaires non reliées au commerce de détail.
- Raccordez l'appareil à une alimentation d'eau potable seulement. Une alimentation d'eau froide est requise pour faire fonctionner la machine à glaçons et le pichet à remplissage automatique. La pression d'eau doit se situer entre 40 et 120 psi. (275 à 827 kPa).

**⚠ ATTENTION** Pour réduire le risque de blessures lorsque vous utilisez votre réfrigérateur, veuillez suivre ces consignes de sécurité.

- Ne nettoyez pas les tablettes ou les couvercles en verre avec de l'eau tiède quand ceux-ci sont froids. Les tablettes et couvercles en verre peuvent se casser s'ils sont exposés à des changements soudains de température ou si vous les cognez ou les faites tomber. Le verre trempé est conçu pour se briser en petits morceaux en cas de casse
- Éloignez les doigts des parties du congélateur où l'on peut facilement se pincer : les espaces entre les portes, et entre les portes et les placards sont toujours étroits. Soyez prudent lorsque vous fermez les portes en présence d'enfants.
- Ne touchez pas les surfaces froides du congélateur lorsque vous avez les mains humides ou mouillées. La peau risque d'adhérer à ces surfaces extrêmement froides.
- Ne recongelez pas les aliments surgelés qui ont complètement dégelé.
- Si votre réfrigérateur est doté d'une machine à glaçons automatique, évitez le contact avec les pièces mobiles du mécanisme éjecteur, ou avec l'élément chauffant qui libère les glaçons. Ne posez pas les doigts ou les mains sur le mécanisme de la machine à glaçons automatique pendant que le réfrigérateur est branché.
- Utilisez un verre robuste qui résiste à la distribution de glace (sur les modèles avec distributeur de glace).

### AVERTISSEMENTS DE LA PROPOSITION 65 DE L'ÉTAT DE LA CALIFORNIE :

**⚠ AVERTISSEMENT** Ce produit contient une ou plusieurs substances chimiques reconnues par l'État de Californie pour causer le cancer et des anomalies congénitales ou d'autres problèmes liés à la reproduction.

## INSTALLATION

**⚠ AVERTISSEMENT**  **RISQUE D'EXPLOSION.**

Conservez les matériaux et vapeurs inflammables tels que l'essence à l'écart de votre réfrigérateur. Une explosion, un incendie voire la mort pourrait en résulter.

## LIRE ET CONSERVER CES INSTRUCTIONS

# INFORMATION DE SÉCURITÉ IMPORTANTES

## LISEZ TOUTES LES DIRECTIVES AVANT D'UTILISER L'APPAREIL

### BRANCHEMENTS ÉLECTRIQUES

#### ⚠ AVERTISSEMENT



#### RISQUE DE CHOC ÉLECTRIQUE

Branchez l'appareil dans une prise triple avec terre.

Ne retirez pas la broche de terre.

N'utilisez pas d'adaptateur.

N'utilisez pas un cordon de rallonge.

Le non-respect de ces instructions peut entraîner des risques d'incendies, des chocs électriques ou la mort.

**Ne coupez pas ou n'enlevez pas, sous aucun prétexte, la troisième broche de mise à la terre du cordon d'alimentation. Pour des raisons de sécurité, cet appareil doit être correctement mis à la terre.**

Le cordon d'alimentation de cet appareil est équipé d'une fiche à trois broches (pour une mise à la terre) qui s'adapte à la prise de courant standard à 3 broches (pour une mise à la terre) pour minimiser les risques de chocs électriques par cet appareil.

Faites vérifier la prise murale et le circuit électrique par un électricien qualifié pour s'assurer que le système est correctement mis à la terre.

Dans le cas d'une prise biphasée, l'installateur a la responsabilité et l'obligation de la remplacer par une prise triphasée correctement mise à la terre. N'utilisez pas d'adaptateur.

Le réfrigérateur doit toujours être branché à sa propre prise électrique d'une tension nominale correspondant à celle indiquée sur sa plaque signalétique.

Une alimentation électrique à 115 volts CA, 60 Hz, avec un fusible de 15 ou 20 ampères et une mise à la terre est nécessaire. Ceci permet d'obtenir un meilleur rendement et évite de surcharger les circuits électriques du domicile qui risque d'occasionner un incendie en surchauffant.

Ne débranchez jamais le réfrigérateur en tirant sur le cordon d'alimentation. Prenez toujours fermement la fiche en main et tirez pour la sortir de la prise.

Cessez immédiatement d'utiliser un cordon électrique endommagé. Si le cordon électrique est endommagé, son remplacement doit être effectué par un technicien en réparation qualifié au moyen d'un cordon de rechange autorisé par le fabricant.

Lorsque vous éloignez votre réfrigérateur du mur, faites attention à ne pas le faire rouler sur le cordon d'alimentation afin de ne pas l'endommager.

### MISE AU REBUT APPROPRIÉE DE VOTRE ANCIEN RÉFRIGÉRATEUR

#### ⚠ AVERTISSEMENT

#### RISQUE DE SUFFOQUER OU D'Y ÊTRE EMPRISONNÉ

Le non-respect de ces instructions d'élimination peut entraîner la mort ou des blessures graves.

**IMPORTANT:** Les enfants pris au piège ou morts d'asphyxie sont toujours d'actualité. Les réfrigérateurs et congélateurs abandonnés sont toujours aussi dangereux, même si on n'attend que «quelques jours» pour s'en débarrasser. Si vous ne gardez pas votre ancien réfrigérateur ou congélateur, veuillez suivre les directives ci-dessous afin de prévenir les accidents.

**Avant de vous débarrasser de votre ancien appareil :**

- Démontez les portes du compartiment de réfrigération et du compartiment de congélation.
- Laissez les clayettes en place afin d'empêcher les enfants de grimper à l'intérieur.

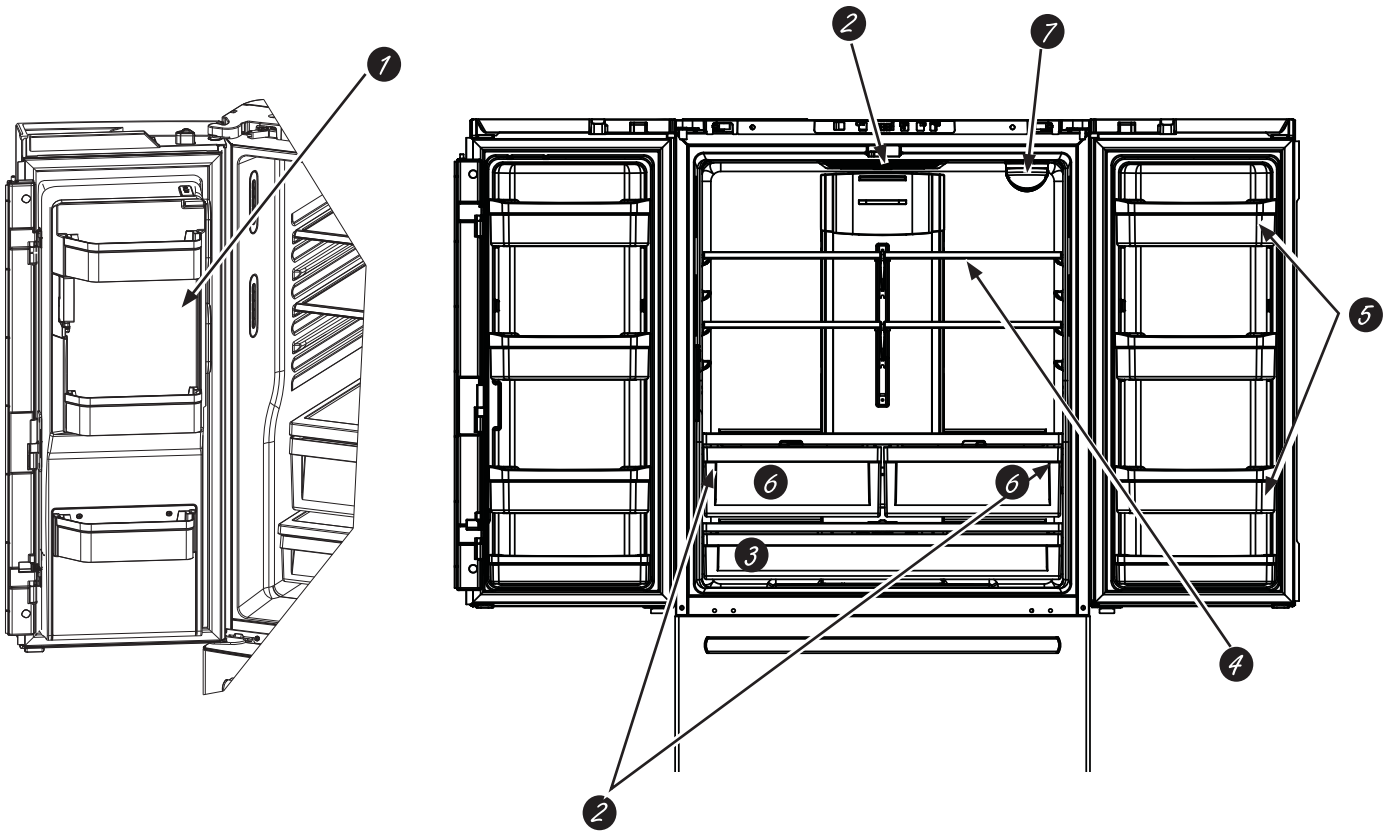
#### Mise au rebut des produits réfrigérants et en mousse

Mettez l'électroménager au rebut conformément à la réglementation fédérale et locale. Les matières isolantes inflammables utilisées exigent des procédures de mise au rebut spéciales. Communiquez avec les autorités locales pour connaître la façon de mettre votre électroménager au rebut qui soit respectueuse de l'environnement.

## LIRE ET CONSERVER CES INSTRUCTIONS



## Modèles à deux portes



**1 Machine à glaçons à faible encombrement (certains modèles)**

La machine à glaçons et le balconnet sont situés sur la porte pour offrir plus d'espace de rangement.

**2 Éclairage DEL**

Les lampes DEL du compartiment réfrigérateur sont situées dans le centre supérieur et sur les côtés gauche et droit des bacs climatisés. Des lampes DEL sont aussi situées dans le congélateur; voir les pages 13 et 14.

**3 Tiroir pleine largeur**

Un tiroir pleine largeur pouvant recevoir des articles de taille supérieure est situé dans le bas du compartiment réfrigérateur.

**4 Tablette QuickSpace™ (certains modèles)**

Elle sert de tablette pleine grandeur au besoin et se glisse aisément pour ranger des articles longs en dessous.

**5 Balconnets amovibles/réglables**

On peut les déplacer vers le haut ou le bas pour répondre à vos besoins.

**6 Tiroirs climatisés**

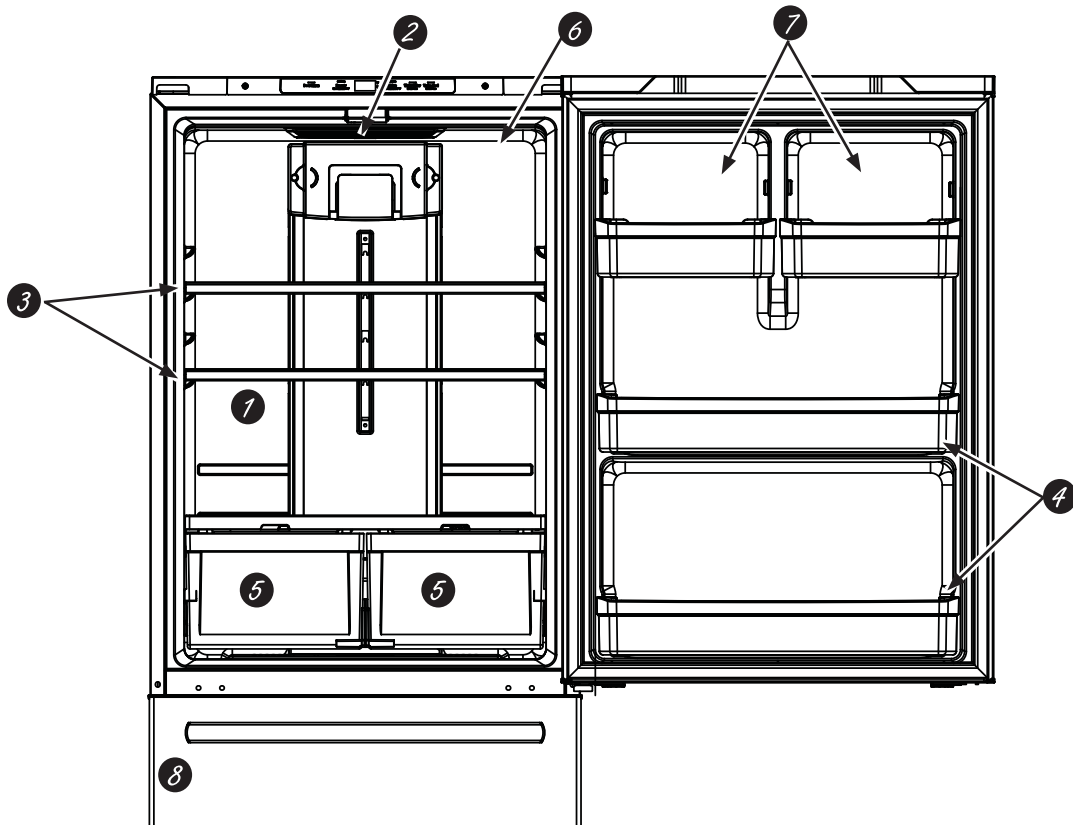
Bacs séparés pour le rangement des fruits et légumes frais.

**7 Filtre d'eau**

Accessible pour faciliter le remplacement.

# Caractéristiques

## Modèles à une porte



- 1 Bac à collation mobile**  
On peut le déplacer à différents endroits pour mieux répondre à vos besoins.
- 2 Éclairage DEL**  
Les lampes DEL du compartiment réfrigérateur sont situées dans le centre supérieur et sur les côtés gauche et droit des bacs climatisés. Des lampes DEL sont aussi situées dans le congélateur; voir les pages 13 et 14.
- 3 Tablettes pleine largeur**  
Ces tablettes peuvent recevoir les articles de taille supérieure.
- 4 Balconnets pleine largeur pour 4 litres**  
Balconnets non réglables de pleine largeur pouvant recevoir des contenants de 4 litres.
- 5 Bacs climatisés**  
Bacs séparés pour ranger des fruits et légumes frais.
- 6 Filtre d'eau (certains modèles)**  
Accessible pour faciliter le remplacement.
- 7 Balconnets réglables**  
Ils peuvent se déplacer vers le haut ou le bas pour répondre à vos besoins.
- 8 Machine à glaçons (certains modèles)**  
La machine à glaçons est située dans le congélateur sur certains modèles. L'ensemble de machine à glaçons IM4D est offert pour les modèles conçus pour en recevoir. Pour les instructions d'installation, veuillez consulter le manuel d'utilisation IM4D au [www.GEAppliances.com](http://www.GEAppliances.com).

## Panneau de commande intérieur GBE21D, GBE21A

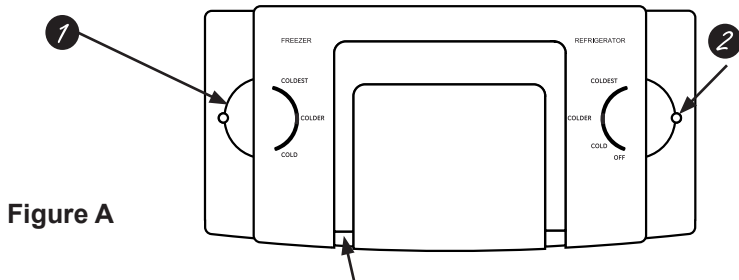


Figure A

**Remarque :** N'obstruez pas la sortie d'air en plaçant des articles directement contre celle-ci. Autrement, cela peut gêner la régulation de température.

Positions pour le réglage de température			
Réfrigérateur		Congélateur	
Coldest (le plus froid)	34°F (1.1°C)	Coldest (le plus froid)	-6°F (-21.1°C)
Colder (plus froid)	37°F (2.8°C)	Colder (plus froid)	0°F (-17.8°C)
Cold (froid)	44°F (6.7°C)	Cold (froid)	6°F (-14.4°C)

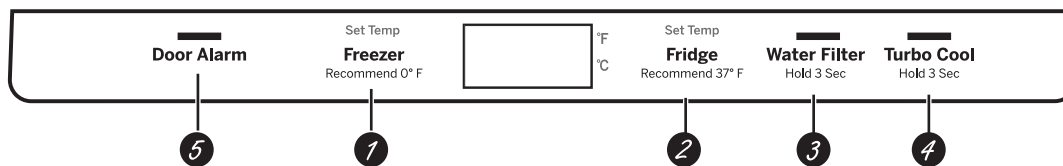
- 1 Commande de température du compartiment congélateur**  
 Cette commande sert à régler la température du congélateur. La température est pré réglée à l'usine à la position **COLDER** (plus froid). Allouez 24 heures pour stabiliser la température à la valeur pré réglée.

- 2 Commande de température du compartiment réfrigérateur**  
 Cette commande sert à régler la température du compartiment réfrigérateur. La température est pré réglée à l'usine à la position **COLDER** (plus froid). Allouez 24 heures pour stabiliser la température à la valeur pré réglée.

**REMARQUE :** Aucun réglage du panneau de commande ne permet de couper l'alimentation électrique au réfrigérateur.

## Panneau de commande supérieur GDE21D, GDE21E, PDE21K, GDE25E, GNE21D, GNE21F, PNE21K, PNE21N, GWE19J, GNE25D, GNE25J, PNE25J, CNE25S, PNE25N, GNE27J, GNE27E

Figure B



- 1 Commande de température du compartiment congélateur**  
 Cette commande sert à régler la température du congélateur. La température est pré réglée à l'usine à la valeur **0 °F (-17,8 °C)**. Allouez 24 heures pour stabiliser la température à la valeur pré réglée.
- 2 Commande de température du compartiment réfrigérateur**  
 Cette commande sert à régler la température du compartiment réfrigérateur. La température est pré réglée à l'usine à la valeur **37 °F (2,8 °C)**. Allouez 24 heures pour stabiliser la température à la valeur pré réglée.
- 3 Filtre d'eau**  
 Pressez la touche durant 3 secondes pour réinitialiser le filtre d'eau.
- 4 Fonction Turbo Cool**  
 Pour activer la fonction **TurboCool™**, pressez cette touche durant 3 secondes. L'affichage indiquera **tc**. Cette fonction refroidit rapidement le compartiment réfrigérateur et ainsi les aliments qui s'y trouvent. Utilisez **TurboCool™** lorsque vous ajoutez une grande quantité

d'aliments dans le compartiment réfrigérateur, des aliments qui ont reposé à température ambiante ou encore des restes de table tièdes. Cette fonction peut aussi servir en cas d'interruption de courant sur une longue période.

**REMARQUE :** Lorsque **TurboCool™** est en fonction, le réglage de la température du réfrigérateur ne peut pas être changé, la température du congélateur reste la même et les ventilateurs continuent de tourner à l'ouverture de la porte s'ils ont été activés.

- 5 Alarme de Porte**  
 Pressez la touche **Door Alarm** (alarme de porte) pour activer cette fonction. L'alarme sonnera si l'une des portes reste ouverte plus de 2 minutes. La sonnerie cesse à la fermeture de la porte.

**REMARQUE :** Pour mettre le panneau de commande du réfrigérateur en position **OFF** (arrêt), pressez simultanément les mots **Freezer** (congélateur) et **Fridge** (réfrigérateur) durant 3 secondes. Aucun réglage du panneau de commande ne permet de couper l'alimentation électrique au réfrigérateur.

# Commandes

## Panneau de commande extérieur GYE18J, PYE18H, GFE24J, PFE24J, CFE24S, PFE24H, GFE26J

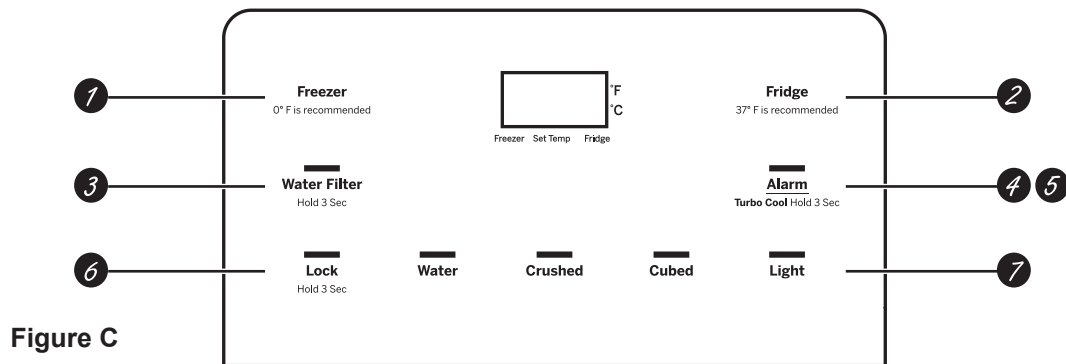


Figure C

### 1 Commande de température du compartiment congélateur

Cette commande sert à régler la température du congélateur. La température est pré-réglée à l'usine à la valeur **0 °F (-17,8 °C)**. Allouez 24 heures pour stabiliser la température à la valeur pré-réglée.

### 2 Commande de température du compartiment réfrigérateur

Cette commande sert à régler la température du compartiment réfrigérateur. La température est pré-réglée à l'usine à la valeur **37 °F (2,8 °C)**. Allouez 24 heures pour stabiliser la température à la valeur pré-réglée.

### 3 Filtre d'eau

Pressez la touche durant 3 secondes pour réinitialiser le filtre d'eau.

### 4 Fonction Turbo Cool

Pour activer la fonction **TurboCool™**, pressez la touche Alarm (alarme de porte) durant 3 secondes. L'affichage indiquera **tc**. Cette fonction refroidit rapidement le compartiment réfrigérateur et ainsi les aliments qui s'y trouvent. Utilisez **TurboCool™** lorsque vous ajoutez dans le compartiment réfrigérateur : une grande quantité d'aliments; des aliments qui ont reposé à température ambiante; ou encore des restes de table tièdes. Cette fonction peut aussi servir en cas d'interruption de courant sur une longue période.

**REMARQUE :** Lorsque **TurboCool™** est en fonction, le réglage de la température du réfrigérateur ne peut pas être changé, la température du congélateur reste la même et les ventilateurs continuent de tourner à l'ouverture de la porte s'ils ont été activés.

### 5 Alarme de porte

Pressez la touche **Alarm** (alarme de porte) pour activer ou désactiver cette fonction. L'alarme sonnera si l'une des portes reste ouverte plus de 2 minutes. La sonnerie cesse à la fermeture de la porte.

### 6 Verrouillage

Pressez la touche **Lock** (verrouillage) durant 3 secondes pour verrouiller le distributeur de glaçons et d'eau, ainsi que toutes les autres commandes. Pressez de nouveau durant 3 secondes pour déverrouiller les commandes.

### 7 Lampe DEL du distributeur

Pressez la touche **Light** (lampe) pour allumer ou éteindre la lampe du distributeur.

**REMARQUE :** Pour mettre le panneau de commande du réfrigérateur en position **OFF** (arrêt), pressez simultanément les mots **Freezer** (congélateur) et **Fridge** (réfrigérateur) durant 3 secondes. Aucun réglage du panneau de commande ne permet de couper l'alimentation électrique au réfrigérateur.

Basculer entre °F et °C ou °C et °F : Maintenez une pression sur les boutons FREEZER (congélateur) et ALARM (alerte) simultanément durant 5 secondes pour choisir entre °C et °F ou °F et °C.

**REMARQUE :** Le réfrigérateur est livré avec une pellicule protectrice recouvrant les commandes de température. Si cette pellicule n'a pas été retirée lors de l'installation, faites-le maintenant.

## Modes Sabbath (certains modèles)

### Modèles avec commandes de la Figure B

- Maintenez une pression sur les boutons DOOR ALARM (alarme de porte) et WATER FILTER (filtre à eau) simultanément durant 5 secondes pour entrer/quitter le mode Sabbath.

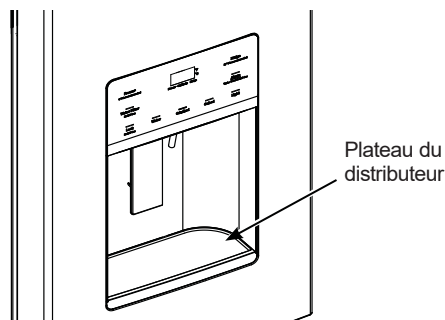
### Modèles avec commandes de la Figure C

- Maintenez une pression sur les boutons LOCK (verrouiller) et LIGHT (lampe) simultanément durant 5 secondes pour entrer/quitter le mode Sabbath.

# Distributeur (certains modèles)

## Distributeur d'eau et de glaçons

(Voir la section Commandes)



Appuyez le verre délicatement contre le berceau du distributeur.

La tablette antidébordement ne se draine pas automatiquement. Pour réduire les taches d'eau, elle doit être nettoyée régulièrement.

Il se peut que de l'air soit présent dans la conduite d'eau si la distribution d'eau n'a pas eu lieu à la première installation du réfrigérateur. Appuyez sur la palette du distributeur durant au moins cinq minutes pour expulser l'air de la conduite et remplir le système d'eau. Pour expulser les impuretés de la conduite, jetez les premiers six verres d'eau.

### **CAUTION** Risque de lacération

- Ne mettez jamais les doigts ni d'autres objets dans l'orifice de sortie du broyeur de glace. Sinon, le risque de contact avec les lames ou un fil sous tension peut causer des blessures pouvant mener à l'amputation.
- Utilisez un verre robuste qui résiste à la distribution de glace. Un verre délicat peut se briser et causer des blessures.

### Pour retirer le plateau du distributeur

- Tirez sur le plateau en ligne droite.

### Pour remettre le plateau en place

- Poussez-le jusqu'à ce qu'il repose fermement en place.

## Bac à glace dans la porte

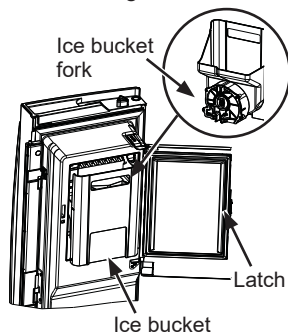
1. Ouvrez la porte gauche du compartiment réfrigérateur.

2. Poussez sur le loquet vers le bas pour dégager le panneau d'accès du bac.

3. En agrippant la prise, soulevez puis sortez le bac à glace de façon à dépasser les repères dans le bas du bac.

4. Pour replacer le bac à glace, placez-le sur les supports des guides et poussez-le jusqu'à ce qu'il repose correctement en place.

5. Si la remise en place du bac est impossible, tournez la fourchette du bac sur  $\frac{1}{4}$  de tour dans le sens des aiguilles d'une montre.



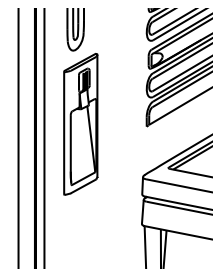
## Distributeur d'eau intérieur

(certains modèles)

Le distributeur d'eau est situé sur la paroi gauche à l'intérieur du compartiment réfrigérateur.

### Pour distribuer l'eau :

1. Maintenez le verre dans le renforcement.
2. Poussez le bouton du distributeur.
3. Gardez le verre sous le distributeur durant 2 à 3 secondes après le relâchement du bouton car de l'eau peut continuer à l'écouler.



Il se peut que de l'air soit présent dans la conduite d'eau si la distribution d'eau n'a pas eu lieu à la première installation du réfrigérateur. Appuyez sur le bouton du distributeur durant au moins 5 minutes pour expulser l'air de la conduite et remplir le système d'eau. Pendant ce processus, un bruit peut se faire entendre lors de l'expulsion d'air. Pour expulser les impuretés de la conduite, jetez les premiers 6 verres d'eau.

**REMARQUE** : Pour prévenir les dépôts, le distributeur doit être essuyé régulièrement à l'aide d'un linge ou d'une éponge propre.

### Renseignements importants concernant votre distributeur

- N'ajoutez pas dans le bac des glaçons provenant d'un moule ou d'un sac de glaçons du commerce car ils peuvent être difficiles à concasser ou à distribuer.
- Évitez de trop remplir les verres de glaçons et d'utiliser des verres étroits. La glace refoulée peut bloquer la glissière ou son volet. Si des glaçons bloquent la glissière, retirez le bac et débloquez la glissière au moyen d'une cuillère en bois.
- Ne placez pas de boissons ni d'aliments dans le bac à glace pour les rafraîchir. Les boîtes, bouteilles et paquets alimentaires peuvent bloquer la machine à glaçons ou la vis sans fin.
- Pour être certain de viser la glace dans le verre, placez celui-ci près de l'orifice du distributeur, sans y toucher.
- De la glace concassée peut tomber dans le verre malgré la sélection de l'option CUBED ICE (glaçons). Cela se produit à l'occasion lorsque quelques glaçons sont dirigés par erreur vers le broyeur.
- Après la distribution de glace concassée, de l'eau peut s'écouler de la glissière.
- Un amas de givre se forme parfois sur le volet de la glissière. Ceci est normal et se produit généralement après des distributions répétées de glace concassée.

# Filtre d'eau à cartouche - XWF

## FILTRE D'EAU À CARTOUCHE

Le support du filtre d'eau à cartouche est situé dans le coin supérieur arrière droit du compartiment réfrigérateur.

### QUAND REMPLACER LE FILTRE

Si le distributeur est doté d'un indicateur de remplacement de filtre, un voyant de filtre rouge commencera à clignoter pour vous signaler la nécessité de remplacer le filtre bientôt.

- Sur les modèles à commande extérieure, le voyant de filtre clignotera pendant la distribution jusqu'à ce que le filtre soit remplacé.
- Sur les modèles à commande supérieure, le voyant de filtre clignotera lorsque la porte est ouverte jusqu'à ce que le filtre soit remplacé.

Sur les modèles qui ne sont pas dotés d'un voyant, le filtre à cartouche doit être remplacé tous les six mois, ou plus tôt si le débit d'eau du distributeur ou de la machine à glaçons diminue.

### RETRAIT DU FILTRE À CARTOUCHE

Si vous remplacez le filtre, retirez d'abord le précédent:

1. Ouvrez le boîtier du filtre à cartouche en pressant les deux languettes frontales puis tirant avec soin vers le bas.
2. Tournez le filtre vers le bas.
3. Agrippez avec soin le filtre et tournez-le dans le sens contraire des aiguilles sur environ ¼ de tour. Le filtre devrait se libérer automatiquement une fois tourné suffisamment vers la gauche. Une petite quantité d'eau pourrait dégoutter.

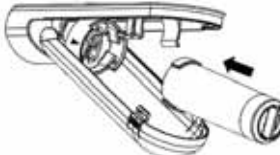
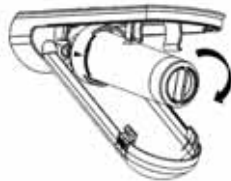
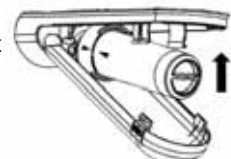
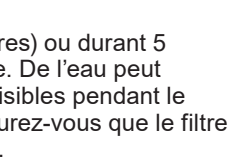
#### ⚠ ATTENTION

Lors de son retrait, le filtre à cartouche risque d'être éjecté si de l'air est emprisonné dans le système. Veuillez user de prudence.

### BOUCHON DE DÉRIVATION DU FILTRE

Pour réduire le risque de dommage à la propriété en raison de fuites d'eau, vous **DEVEZ** utiliser un bouchon de dérivation du filtre lorsqu'une cartouche filtrante de rechange n'est pas disponible. Certains modèles ne sont pas équipés d'un bouchon de dérivation de filtre. Pour en obtenir un gratuitement, composez le 800-GECARES. Au Canada, composez le 800.561.3344. Le distributeur et la machine à glaçons ne fonctionneront pas sans que ne soient installés le filtre ou le bouchon de dérivation. Le bouchon de dérivation s'installe de la même manière que la cartouche filtrante.

## INSTALLATION DU FILTRE DANS UN RÉFRIGÉRATEUR À CONGÉLATEUR INFÉRIEUR

1. Ouvrez le boîtier du filtre à cartouche en pressant les deux languettes frontales puis tirant avec soin vers le bas. 
2. Alignez les orifices du filtre sur ceux du support de filtre à cartouche, puis insérez le filtre avec soin. 
3. Tournez le filtre lentement vers la droite jusqu'au bout. **NE SERREZ PAS EXCESSIVEMENT.** Le filtre prendra automatiquement sa position à mesure que vous le tournez. Le filtre se déplacera sur environ ¼ de tour ou 90 degrés, jusqu'à ce que la flèche sur le filtre s'aligne sur celle du support de filtre. 
4. Poussez lentement le filtre vers le haut dans les agrafes. 
5. Fermez le boîtier du filtre en poussant avec soin le couvercle vers le haut jusqu'à ce que les languettes se verrouillent en place.
6. Faites circuler environ 2 gallons (7,6 litres) ou durant 5 minutes d'eau pour nettoyer le système. De l'eau peut gicler et des bulles d'air peuvent être visibles pendant le processus. Si l'eau ne circule pas, assurez-vous que le filtre est complètement tourné vers la droite.
7. Maintenez une pression sur la touche RESET WATER FILTER (réinitialisation du filtre à eau) (certains modèles seulement) du distributeur durant trois secondes.

### Conditions d'application/Paramètres d'alimentation d'eau

Débit de service	0,5 g/min (1,89 l/min)
Alimentation d'eau	Eau potable
Pression d'eau	25-120 psi (172-827 kPa)
Température d'eau	33°F-100°F (0,6 °C-38 °C)
Capacité	170 gallons (643,5 litres)

Inscrivez-vous pour des **RAPPELS DE TEXTE** en textant **REPLACE** au **70543**.

#### ⚠ AVERTISSEMENT

Pour réduire le risque d'étouffement, ne laissez pas les enfants âgés de moins de 3 ans atteindre les petites pièces pendant l'installation du produit. Le filtre à cartouche jetable doit être remplacé tous les 6 mois dans les conditions d'utilisation prescrites, ou plus tôt si une diminution évidente de son débit est observée.

Pour bénéficier au maximum de votre système de filtration, GE Appliances recommande l'utilisation de filtres de marque GE Appliances seulement. L'utilisation de filtres de marque GE Appliances avec des réfrigérateurs GE Appliances et Hotpoint® procure un rendement et une fiabilité optimaux. Les filtres GE Appliances satisfont les normes NSF rigoureuses de l'industrie relative à la sécurité et la qualité, facteur important pour les produits qui filtrent votre eau. GE Appliances n'a pas évalué le rendement des filtres d'autres marques dans les réfrigérateurs GE Appliances et Hotpoint et il n'existe aucune assurance qu'ils satisferont les normes de qualité, de rendement et de fiabilité GE Appliances.

Pour toute question, ou pour commander des filtres à cartouche de rechange, visitez notre site Web au [www.gewaterfilters.com](http://www.gewaterfilters.com), ou pour joindre le service des Pièces et accessoires GE Appliances composez le 877.959.8688. (Canada 1.800.661.1616 ou [www.electromenagersge.ca/fr/produits/filtres-et-accessoires](http://www.electromenagersge.ca/fr/produits/filtres-et-accessoires)).



# Tablettes et balconnets

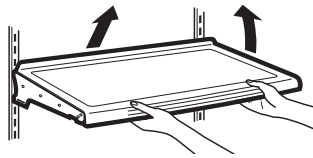
Toutes les caractéristiques ne sont pas disponibles sur tous les modèles.

## Disposition des tablettes du réfrigérateur

Les tablettes du compartiment réfrigérateur sont réglables.

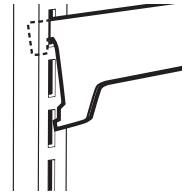
### Pour retirer les tablettes :

1. Pour retirer les tablettes :
2. Soulevez la tablette à l'avant.
3. Soulevez la tablette à l'arrière et faites-la sortir.



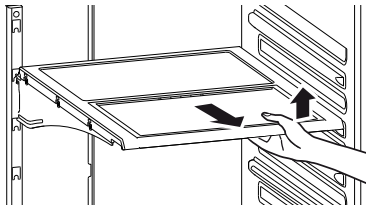
### Pour replacer les tablettes :

1. En soulevant la tablette à l'avant, insérez le crochet supérieur à l'arrière de la tablette dans une fente du rail.
2. Abaissez le devant de la tablette jusqu'à ce que le bas de la tablette se fixe en place.



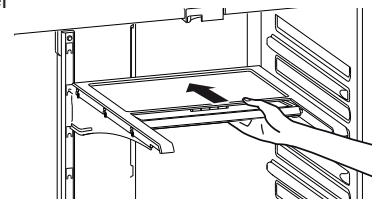
## Tablette Quick Space (certains modèles)

Cette tablette se sépare en deux moitiés dont l'une se glisse sous l'autre pour permettre le rangement d'articles en hauteur sur la tablette du dessous.



Cette tablette peut s'enlever pour remise en place ou repositionnement.

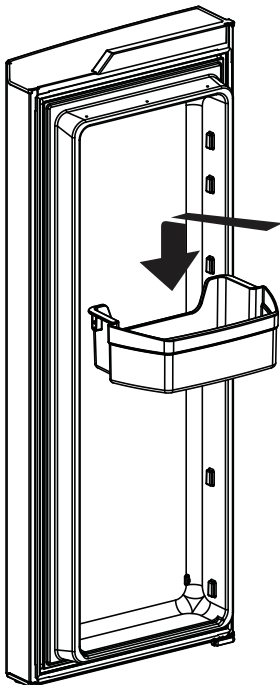
**REMARQUE :** La moitié arrière de la tablette Quick Space n'est pas réglable.



## Balconnets réglables (certains modèles)

**Pour retirer :** Soulevez l'avant du balconnet en ligne droite, puis sortez-le.

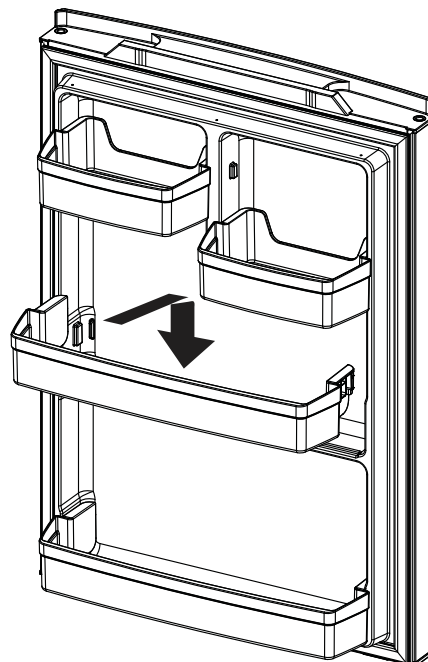
**Pour replacer :** Engagez le balconnet dans les supports moulés de la porte et poussez vers le bas pour verrouiller en place.



## Balconnets 4 litres non réglables (non réglables)

**Pour retirer :** Soulevez le balconnet en ligne droite, puis sortez-le.

**Pour replacer :** Engagez le balconnet dans les supports moulés de la porte et poussez vers le bas pour verrouiller en place.



## Bacs

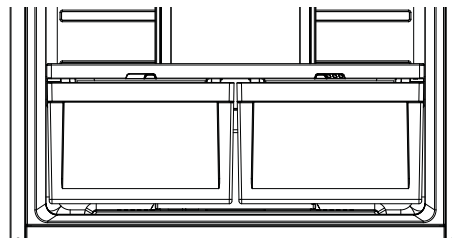
Toutes les caractéristiques ne sont pas disponibles sur tous les modèles.

### Bacs climatisés

Conservez les fruits et les légumes dans des compartiments séparés pour faciliter l'accès. On doit essuyer l'excédent d'humidité pouvant s'accumuler dans le fond ou le dessous des tiroirs.

#### Pour retirer un bac :

Glissez le bac vers l'extérieur jusqu'à ce qu'il s'arrête, soulevez-le vers le haut en dépassant la position d'arrêt puis tirez-le vers l'avant.



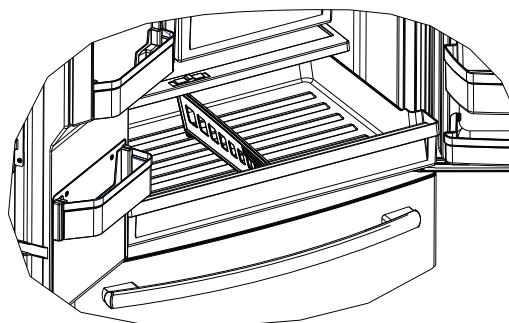
### Bac pleine largeur (certains modèles)

#### Pour retirer le bac :

1. Tirez le bac vers l'extérieur jusqu'à la position d'arrêt.
2. Soulevez l'avant du tiroir puis tirez-le vers l'extérieur.

#### Pour replacer le bac :

1. Placez d'abord l'arrière du tiroir puis faites pivoter l'avant vers le bas pour le déposer sur les glissières.
2. Poussez le tiroir au fond jusqu'à la position fermée.



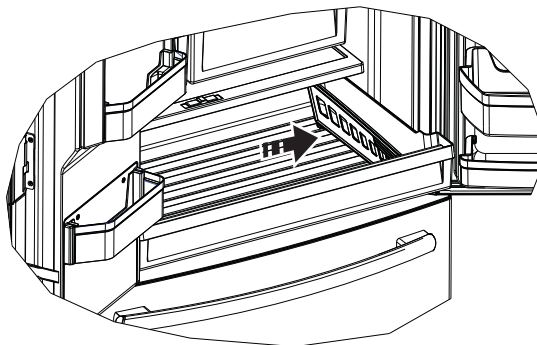
### Retirer et remplacer le séparateur de tiroir

#### Pour retirer :

1. Tirez le tiroir vers l'extérieur jusqu'à la position d'arrêt.
2. Glissez le séparateur vers la droite pour le sortir du bac.

#### Pour replacer :

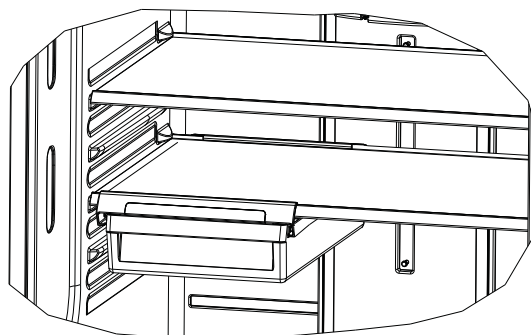
Inversez les étapes 1 et 2 pour replacer le séparateur.



### Bac à collation mobile (certains modèles)

Ce bac peut se déplacer pour répondre à vos besoins.

**Pour le retirer**, glissez le bac vers l'extérieur jusqu'à la position d'arrêt, soulevez-le en dépassant la position d'arrêt, puis de nouveau pour le sortir.



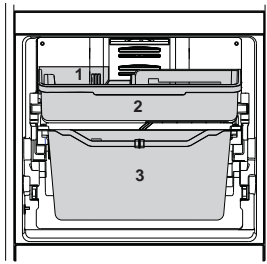
# Tiroir du congélateur (certains modèles)

Toutes les caractéristiques ne sont pas disponibles sur tous les modèles.

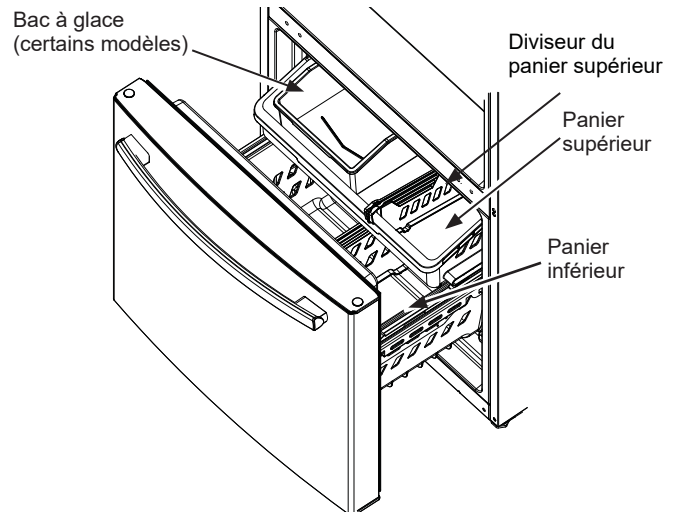
## PANIER DU CONGÉLATEUR

1. Un bac à glace dans le panier supérieur (certains modèles).
2. Un panier pleine largeur supérieur.
3. Un panier pleine largeur inférieur (avec séparateur – certains modèles).

**REMARQUE :** Ne remplissez pas les paniers au-delà de leur bord. Ils pourraient se coincer en les ouvrant ou fermant.



L'aspect et les caractéristiques peuvent varier



## Retrait du panier supérieur

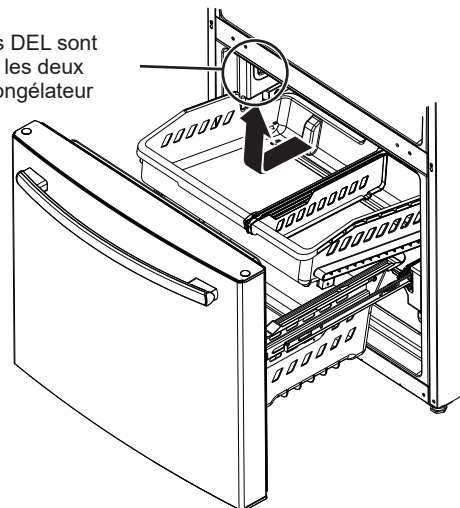
**Pour retirer le panier pleine largeur supérieur sur les modèles à tiroir de congélateur :**

1. Tirez le panier vers l'extérieur jusqu'à la position d'arrêt.
2. Soulevez le panier pour le dégager des glissières.

**Lors de la remise en place du panier,** assurez-vous que celui-ci est bien monté sur les rails latéraux, par-dessus les glissières du panier inférieur.

**REMARQUE :** Assurez-vous de toujours fermer ce panier à fond.

Les lampes DEL sont situées sur les deux côtés du congélateur



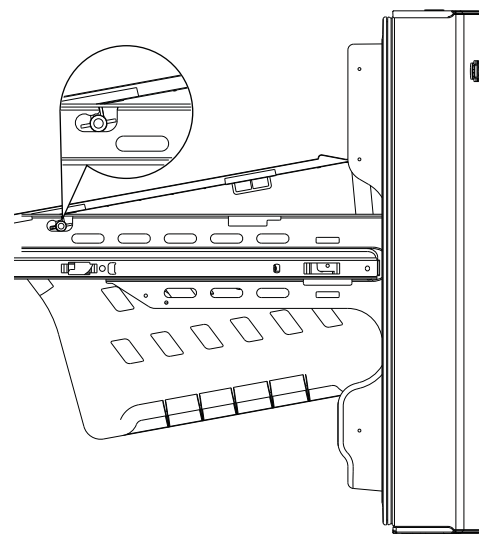
## Retrait du panier inférieur

**Pour retirer le panier pleine largeur inférieur sur les modèles à tiroir de congélateur :**

1. Tirez le panier vers l'extérieur jusqu'à ce qu'il s'arrête.
2. Retirez le panier de congélateur supérieur.
3. Le panier de congélateur inférieur repose sur les languettes intérieures des glissières du tiroir.
4. Soulevez l'avant du panier et tirez vers l'avant.
5. Dégagez la tige de la fente pour sortir le panier.

**Lors de la remise en place du panier pleine largeur inférieur,** penchez celui-ci vers le bas puis baissez-le dans le tiroir. Faites pivoter le panier en position horizontale puis poussez-le vers le bas. Assurez-vous de replacer la tige dans la fente.

**REMARQUE :** Veillez toujours à ce que le panier repose sur les languettes du support avant de le glisser dans le congélateur.



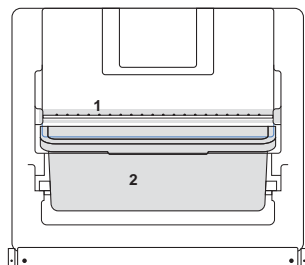
# Compartiments du congélateur

Toutes les caractéristiques ne sont pas disponibles sur tous les modèles.

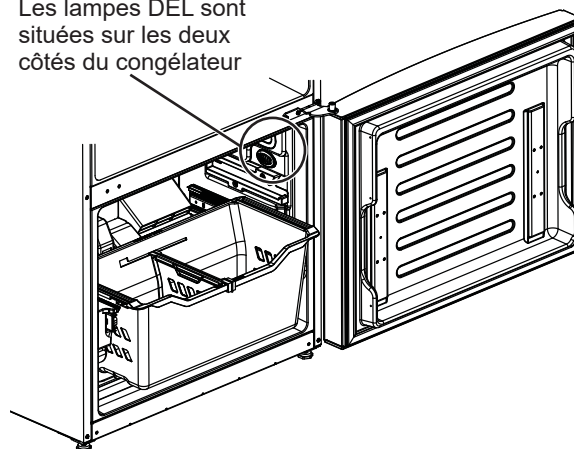
## TABLETTE ET PANIER DU CONGÉLATEUR

1. Une clayette (en broche) fixe pleine grandeur.
2. Un panier en plastique coulissant pleine grandeur.

**REMARQUE :** Ne remplissez pas les paniers au-delà de leur bord. Ils pourraient se coincer en les ouvrant ou fermant.



Les lampes DEL sont situées sur les deux côtés du congélateur

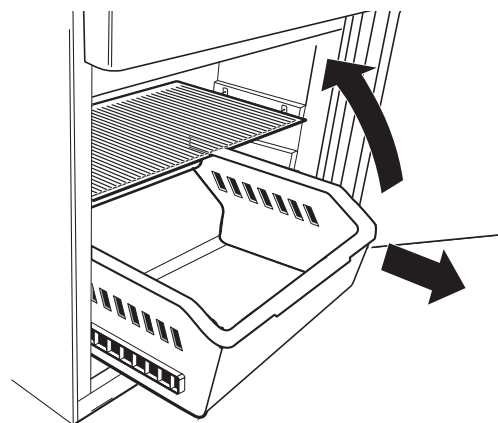


## Retrait du panier

**Pour retirer le panier coulissant pleine grandeur sur les modèles à porte de congélateur :**

1. Tirez le panier jusqu'à sa pleine extension.
2. Soulevez l'avant du panier et tirez en ligne droite pour le sortir.

**Lors de la remise en place,** insérez le panier en plastique dans les rails inférieurs puis poussez-le en place.

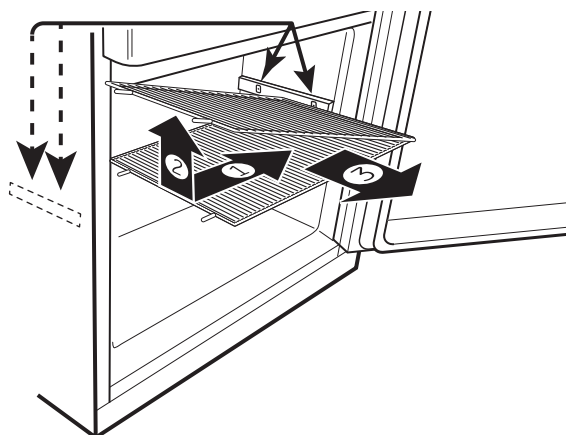


## Retrait de la clayette fixe

**REMARQUE :** La clayette (en broche) pleine grandeur n'est pas conçue pour coulisser.

**Pour retirer la clayette pour la nettoyer,** poussez-la sur un côté tout en soulevant le côté opposé puis sortez la clayette.

**Pour replacer la clayette pleine grandeur,** insérez un côté dans le support, puis poussez-la vers ce côté jusqu'à ce que le côté opposé s'engage dans le support.



# Machine à glaçons automatique

Un réfrigérateur nouvellement installé prendra de 12 à 24 heures pour commencer à fabriquer de la glace.

## Machine à glaçons automatique (certains modèles)

La machine à glaçons produira sept cubes par cycle, soit environ 100 à 130 cubes pendant une période de 24 heures, selon la température du congélateur, la température ambiante, le nombre d'ouvertures de porte et d'autres conditions d'emploi.

Si l'on se sert du réfrigérateur avant de raccorder l'alimentation d'eau à la machine à glaçons, mettez l'interrupteur de courant à la position OFF (arrêt).

Une fois le réfrigérateur raccordé à l'alimentation d'eau, mettez l'interrupteur de courant à la position ON (marche).

La machine à glaçons se remplit d'eau lorsqu'elle se refroidit à 15 °F (-10 °C).

Un réfrigérateur nouvellement installé prendra de 12 à 24 heures pour commencer à fabriquer de la glace.

Un bourdonnement peut se faire entendre à chaque fois que la machine se remplit d'eau.

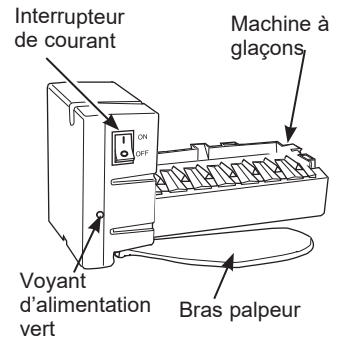
Jetez les premiers lots de glace pour permettre à la conduite d'eau de se nettoyer.

Assurez-vous que rien ne gêne le mouvement du bras palpeur.

Lorsque le bac se remplit au niveau du bras palpeur, la machine cesse de produire de la glace. Il est normal que des cubes s'agglutinent.

Si la glace n'est pas utilisée souvent, les vieux cubes deviendront opaques et rétrécis, et leur goût, insipide.

**REMARQUE :** Dans les maisons où la pression est inférieure à la normale, vous entendrez la machine à glaçons démarrer plusieurs



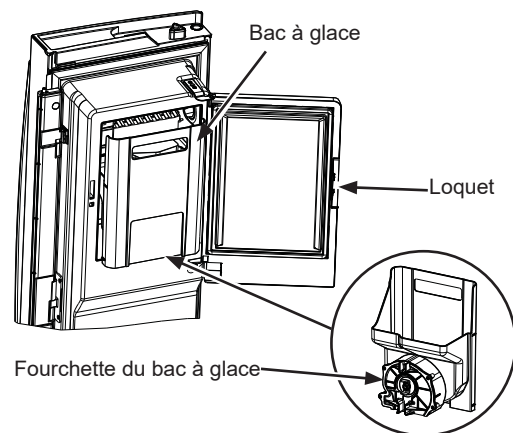
### **ATTENTION**

Pour réduire le risque de blessure, évitez de toucher les pièces mobiles du mécanisme de la machine à glaçons ainsi que l'élément chauffant qui libère les cubes. Ne placez ni les doigts ni les mains sur le mécanisme de la machine à glaçons lorsque le réfrigérateur est branché.

## Modèles de réfrigérateur équipés d'une machine à glaçons dans la porte

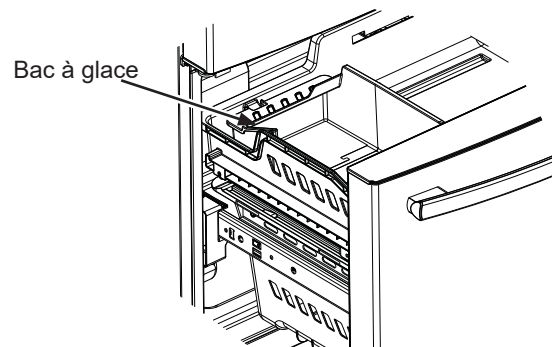
### Bac à glace et distributeur

- Ouvrez le panneau d'accès de la boîte à glace sur l'intérieur de la porte gauche.
- Soulevez et sortez le bac à glace de la porte gauche pour le sortir du compartiment.
- Pour replacer le bac, placez-le sur les supports et poussez-le jusqu'à ce qu'il repose correctement en place.
- Si la remise en place est impossible, tournez la fourchette du bac sur  $\frac{1}{4}$  de tour dans le sens des aiguilles d'une montre.
- On peut allumer et éteindre la machine à glaçons à l'aide des commandes (voir la section Commandes aux pages 7 et 8).



## Modèles de réfrigérateur équipés d'une machine à glaçons dans le compartiment congélateur

Certains modèles sont livrés avec la machine à glaçons déjà installée dans le compartiment congélateur. L'ensemble de machine à glaçons IM4D ou IM-5D est offert pour les modèles conçus pour en recevoir. visitez notre site Web au [GEAppliances.com](http://GEAppliances.com), ou composez le 877.959.8688 pour joindre le service des Pièces et accessoires GE Appliances. (Au Canada, composez le 1.800.661.1616 ou visitez la page [electromenagersge.ca/fr/produits/filtres-et-accessoires](http://electromenagersge.ca/fr/produits/filtres-et-accessoires)). Du rangement pour la glace se trouve du côté gauche du panier supérieur du congélateur. Tirez le panier supérieur vers l'avant pour retirer le bac à glace.



## Entretien et nettoyage

### Nettoyage de l'extérieur

#### Panneaux, poignées de porte et garniture en acier inoxydable.

N'utilisez pas de la cire pour électroménagers, des produits à polir, des javellisants ni d'autres produits contenant du chlore sur de l'acier inoxydable.

Pour le nettoyage, utilisez un nettoyant pour acier inoxydable du commerce, le format vaporisateur donnent les meilleurs résultats.

#### Pièces en plastique au fini argenté

Lavez ces pièces avec du savon ou un autre détergent doux. Essuyez avec une éponge, un linge humide ou une serviette de papier.

N'utilisez pas des tampons à récurer, des nettoyants en poudre, des javellisants ni des produits contenant du chlore car tous ces produits peuvent rayer ou ternir le fini.

Pour nettoyer le plateau antidébordement, utilisez un détartrant.

### Nettoyage de l'intérieur

#### Débranchez le réfrigérateur avant le nettoyage.

Si cela n'est pas commode, essorez le surplus d'humidité de l'éponge ou du linge avant de nettoyer autour des interrupteurs, des lampes et des commandes.

Utilisez une cire pour électroménagers sur la surface intérieure entre les portes.

Utilisez une solution d'eau chaude et de bicarbonate de soude (environ une cuillère à soupe ou 15 ml) dans 1 litre d'eau.

Cette solution nettoie tout en neutralisant les odeurs. Rincez et essuyez pour sécher.

#### **ATTENTION**

Évitez de nettoyer les tablettes ou les couvercles en verre à l'eau chaude lorsqu'ils sont froids car ils peuvent éclater suite à un choc ou un écart de température soudain. Le verre trempé est conçu pour éclater en très petites pièces s'il se brise

### Derrière le réfrigérateur

Prenez un soin particulier lorsque vous éloignez le réfrigérateur du mur. Tous les types de revêtement de sol peuvent être endommagés, en particulier ceux qui sont coussinés ou dont la surface est gaufrée.

Soulevez les pieds de nivellement situés dans le bas à l'avant du réfrigérateur.

Déplacez le réfrigérateur en ligne droite pour l'éloigner ou le repousser à sa place. Un mouvement latéral risque d'endommager le revêtement de plancher ou le réfrigérateur.

Abaissez les pieds de nivellement jusqu'à ce qu'ils touchent le sol.

**En poussant le réfrigérateur en place, veillez à ne pas le faire rouler sur le cordon d'alimentation ou la conduite d'eau.**

### Départ en vacances

Lorsque vous vous absentez durant une longue période, retirez les aliments et débranchez le réfrigérateur. Nettoyez l'intérieur avec une solution d'une cuillère à soupe (15 ml) de bicarbonate de soude par litre d'eau. Laissez les portes ouvertes.

Si la température risque de descendre sous le point de congélation, demandez à un technicien qualifié de vidanger la conduite d'eau afin de prévenir les dégâts sérieux causés par l'inondation.

- 1) Éteignez le réfrigérateur (pages 7 et 8) ou débranchez-le.
- 2) Videz le bac à glace.
- 3) Coupez l'alimentation d'eau.

**Si vous coupez l'alimentation d'eau, éteignez la machine à glaçons (p, 15).**

Au retour des vacances :

- 1) Remplacez le filtre à eau.
- 2) Faites circuler 8 litres d'eau par le distributeur d'eau froide (environ 5 minutes) pour nettoyer le système.

### Déménagement

À l'aide de ruban adhésif, immobilisez tous les éléments amovibles tels que tablettes et tiroirs pour éviter de les endommager.

Si vous utilisez un diable pour déplacer le réfrigérateur, ne laissez pas le devant ou l'arrière de l'appareil reposer contre le diable pour ne pas l'endommager.

Manipulez le réfrigérateur par ses côtés seulement.

Assurez-vous de maintenir le réfrigérateur debout pendant le déménagement.



# Entretien et nettoyage

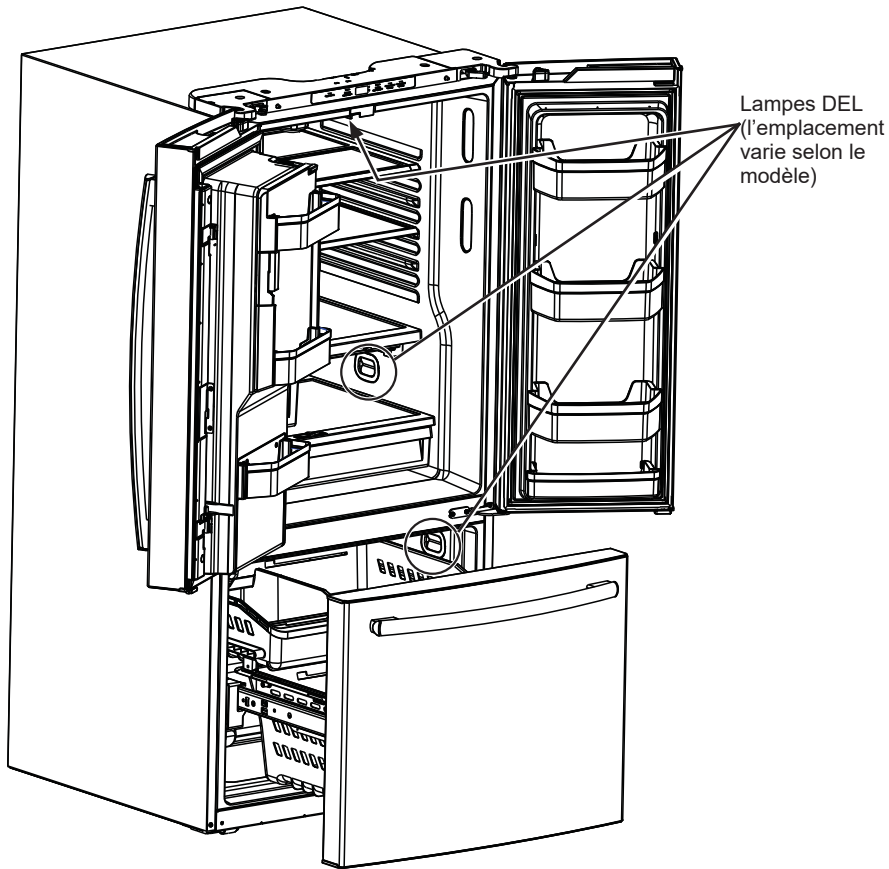
## Remplacement des lampes

L'éclairage DEL du compartiment réfrigérateur des modèles à deux portes est situé dans le centre supérieur et sur les côtés gauche et droit au-dessus des bacs climatisés. L'éclairage DEL des modèles à une porte est situé dans le haut du compartiment réfrigérateur.

Des lampes DEL sont aussi situées dans le haut des côtés gauche et droit du congélateur sur tous les modèles.

Un technicien agréé devra remplacer l'éclairage DEL.

Si ce composant doit être remplacé, composez 1.800.432.2737 pour joindre le service GE Appliances aux États-Unis ou le 1.800.561.3344 au Canada.



# Instructions d'installation

## Réfrigérateur

Questions? Composez le 800.GE.CARES (800.432.2737) ou visitez notre site Web : [GEAppliances.com](http://GEAppliances.com)  
Au Canada, composez le 1.800.561.3344 ou visitez notre site Web : [www.electromenagersge.ca](http://www.electromenagersge.ca)

### AVANT DE COMMENCER

Veuillez lire toutes les directives attentivement

- **IMPORTANT** — Conservez ces instructions pour l'inspecteur local. Respectez toutes les ordonnances et les codes locaux.
- **Note à l'installateur** – Assurez-vous de laisser ces instructions au consommateur.
- **Note au consommateur** – Conservez ces instructions pour référence future.
- **Niveau de compétence** – L'installation de cet appareil nécessite des compétences mécaniques de base.
- **Temps d'installation** – Installation du réfrigérateur 20 minutes  
Installation de la conduite d'eau - 30 minutes
- L'installateur est responsable de bien installer ce réfrigérateur.
- Toute panne du produit due à une mauvaise installation n'est pas couverte par la garantie

### PRÉPARATION

#### DÉPLACEMENT DU RÉFRIGÉRATEUR À L'INTÉRIEUR DE LA MAISON

Si le réfrigérateur ne passe pas par la porte, vous pouvez enlever la porte du compartiment réfrigération et le tiroir du compartiment congélation.

- Pour enlever la porte du compartiment réfrigération, consultez l'étape 1 de la section Changement du sens d'ouverture de la porte.
- Pour enlever le tiroir du compartiment congélation, consultez la section Retrait du tiroir du compartiment congélation.

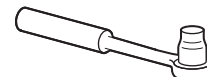
#### ALIMENTATION D'EAU DE LA MACHINE À GLAÇONS ET DU DISTRIBUTEUR

Si votre réfrigérateur est doté d'une machine à glaçons, la machine à glaçons doit être raccordée à une conduite d'eau froide. Vous pouvez acheter une trousse d'alimentation d'eau GE Appliances (contenant la tuyauterie, le robinet d'arrêt, les joints et les instructions) chez votre revendeur ou en vous adressant à notre site Web à l'adresse [GEAppliances.com](http://GEAppliances.com) (au Canada [www.electromenagersge.ca](http://www.electromenagersge.ca)) ou en composant le 877.959.8688 pour joindre le service des Pièces et accessoires (au Canada 1.800.661.1616).

### OUTILS DONT VOUS POUVEZ AVOIR BESOIN



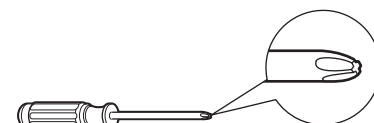
Clé réglable



Clé à douille 3/8 et 5/8 po



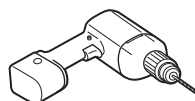
Écrou à compression d'un diamètre intérieur de 1/4 po et bague (modèles à machine à glaçons seulement)



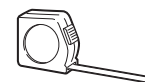
Tournevis cruciforme



Clé hexagonale 3/32, 1/8 et 3/16 po



Perceuse électrique ou manuelle et foret 1/8 po



Ruban à mesurer



Crayon



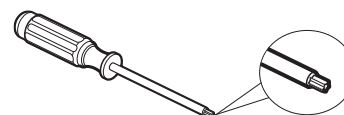
Tourne-écrou



Cisaille



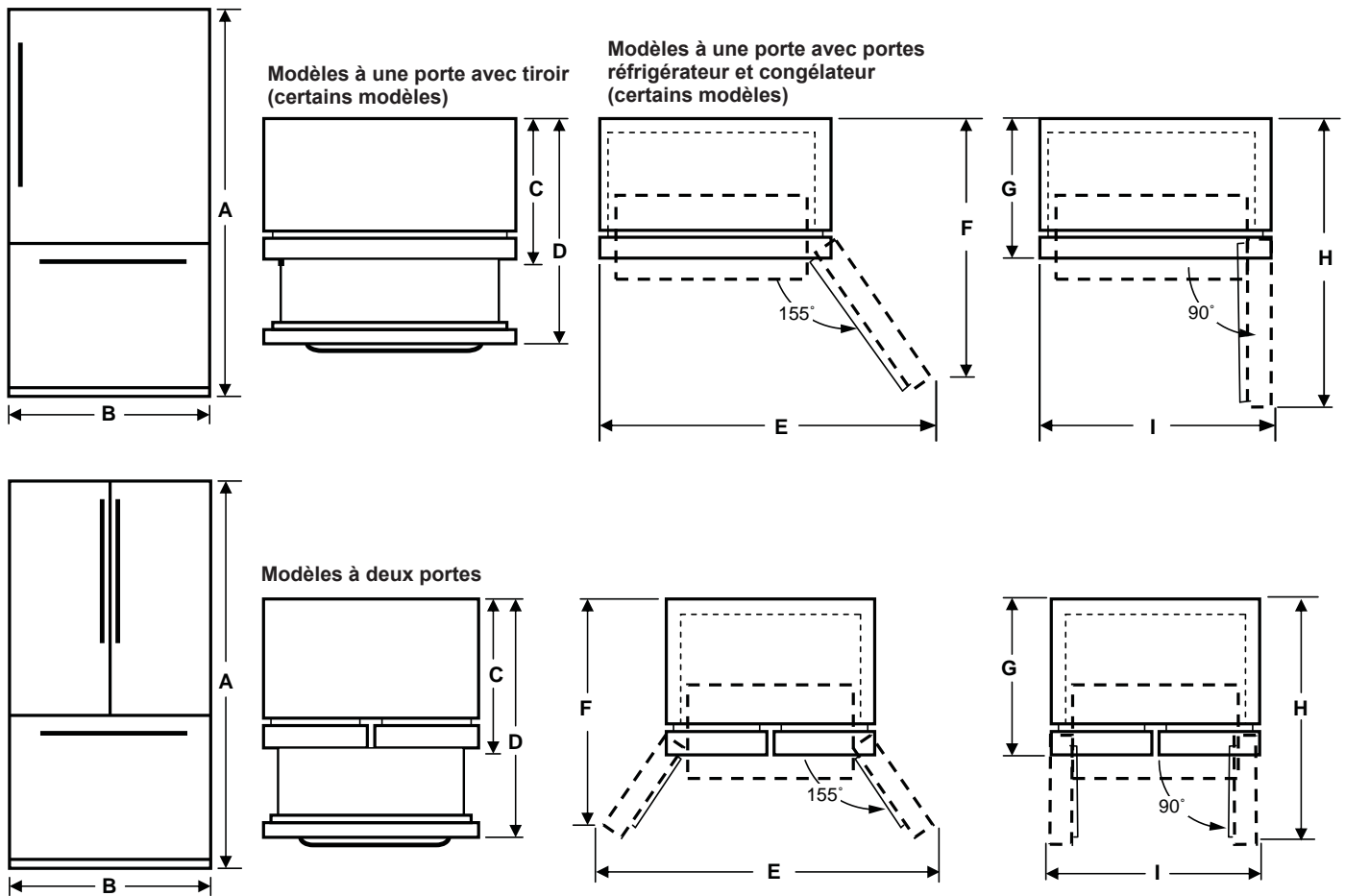
Niveau



Tournevis Torx T20

# Instructions d'installation

## DIMENSIONS DE L'ÉLECTROMÉNAGER

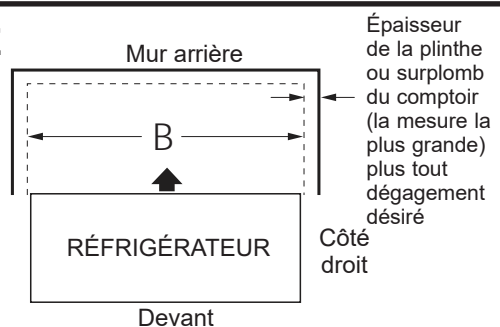


ART.	Modèles 2 portes 18/19 pi.cu.	Modèles 1 porte 21 pi.cu.	Modèles 2 portes 21 pi.cu.	Modèles 1 porte 25 pi.cu.	Modèles 2 portes 24/25 pi.cu.	Modèles 2 portes 26/27 pi.cu.
A*	177,5 cm (69-7/8 po)	177,5 cm (69-7/8 po)	177,5 cm (69-7/8 po)	177,5 cm (69-7/8 po)	177,5 cm (69-7/8)	177,5 cm (69-7/8 po)
B	83,8 cm (33 po)	30 po (76,2 cm)	76,2 cm (30 po)	83,8 cm (33 po)	83,8 cm (33 po)	91,4 cm (36 po)
C**	78,4 cm (30-7/8 po)	91,8 cm (36-1/8 po)	92,4 cm (36-3/8 po)	94,9 cm (37-3/8 po)	94,3 cm (37-1/8 po)	92,2 cm (36-5/16 po)
D**	104,4 cm (41-3/32 po)	-	137,2 cm (54 po)	139,1 cm (54-3/4 po)	139,1 cm (54-3/4 po)	127,5 cm (50-3/16 po)
E	122,8 cm (48-3/8 po)	139,7 cm (55 po)	139,4 cm (54-7/8 po)	153,7 cm (60-1/2 po)	153,7 cm (60-1/2 po)	139,2 cm (54-13/16 po)
F	100,4 cm (39-17/32 po)	115,9 cm (45-5/8 po)	94 cm (37 po)	121,9 cm (48 po)	98,4 cm (38-3/4 po)	111,1 cm (43-23/32 po)
G	73,3 cm (28-7/8 po)	86 cm (33-7/8 po)	87,3 cm (34-3/8 po)	88,6 cm (34-7/8 po)	89,9 cm (35-3/8 po)	85,9 cm (33-13/16 po)
H	106,5 cm (41-15/16 po)	154,9 cm (61 po)	116,5 cm (45-7/8 po)	165,1 cm (65 po)	122,9 cm (48-3/8 po)	123,8 cm (48-3/4 po)
I**	102,9 cm (40-1/2 po)	85,1 cm (33-1/2 po)	95,6 cm (37-5/8 po)	91,4 cm (36 po)	102,9 cm (40-1/2 po)	110,2 cm (43-3/8 po)

**REMARQUE :** \* Hauteur du réfrigérateur depuis le dessus de la porte. \*\* Comprend la poignée.

### MESUREZ L'OUVERTURE DANS L'ARMOIRE SELON LA LARGEUR DU RÉFRIGÉRATEUR

Mesurez B, la largeur de l'ouverture de l'armoire dans laquelle vous voulez mettre votre réfrigérateur. Assurez-vous de tenir compte de tout surplomb du comptoir, de l'épaisseur de la plinthe et de tout dégagement désiré. La largeur B ne doit pas être inférieure à 30-36 pouces (76,2 cm - 91,4 cm) (selon le modèle). Vous devez placer le réfrigérateur approximativement au milieu de cette ouverture.



# Instructions d'installation

## INSTALLATION DU RÉFRIGÉRATEUR

### EMPLACEMENT DU RÉFRIGÉRATEUR

- N'installez pas votre réfrigérateur dans un emplacement où la température ambiante sera inférieure à 16° C (60° F). Il ne se mettra pas en marche suffisamment souvent pour maintenir des températures convenables.
- N'installez pas votre réfrigérateur dans un emplacement où la température ambiante sera supérieure à 37° C (100° F). Il ne fonctionnera pas bien.
- N'installez pas votre réfrigérateur à un endroit exposé à l'eau (pluie, etc.) ou aux rayons directs du soleil.
- Installez votre réfrigérateur sur un plancher suffisamment solide pour le porter lorsqu'il est plein.

### DÉGAGEMENTS

Prévoyez les dégagements suivants pour faciliter l'installation, la bonne circulation d'air et les raccordements de plomberie et d'électricité :

Côtés	3 mm (1/8 po)	
Dessus	25 mm (1 po)	Armoire/Couvercle de charnière
Arrière	50 mm (2 po)	

### REMARQUES IMPORTANTES

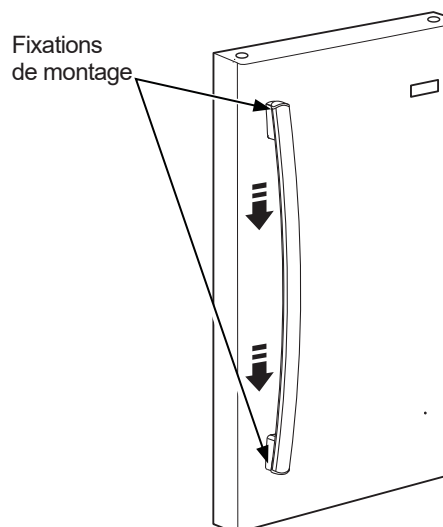
Ce réfrigérateur sans les poignées mesure de 86,4 cm à 89,5 cm (34 à 35 ¼ po) selon votre modèle (voir la dimension G à la page précédente). Les portes et les passages menant à l'emplacement final de l'installation doivent mesurer au moins 91,4 cm (36 po) afin de laisser les portes fixées au réfrigérateur lors de son déplacement vers sa destination. Si les passages mesurent moins de 91,4 cm (36 po), les portes du réfrigérateur peuvent facilement être rayées ou autrement endommagées. Les portes peuvent s'enlever pour permettre le transport à l'intérieur en toute sûreté.

- Si vous devez enlever une porte d'un modèle à deux portes, reportez-vous à la section Enlèvement des portes d'un modèle à deux portes.
- Si vous devez enlever la porte d'un modèle à une porte, reportez-vous à la section Inversion de la porte.
- Pour enlever la porte du congélateur sur un modèle doté d'un tiroir de congélateur, reportez-vous à la section Enlèvement du tiroir du congélateur.
- Si vous avez le modèle doté d'une porte de congélateur à charnière, reportez-vous à la section Inversion de la porte.
- Il n'est PAS nécessaire d'enlever les poignées et les portes, passez directement à l'étape 6. Laissez le ruban et tous les matériaux d'emballage sur les portes jusqu'à l'emplacement final. Une fois le réfrigérateur en place, installez les poignées de porte (voir l'étape 1).
- **ENLÈVEMENT DU PATIN** : Faites basculer le réfrigérateur de chaque côté pour enlever le patin.
- **REMARQUE** : Utilisez un diable rembourré pour déplacer le réfrigérateur. Placez le réfrigérateur avec un de ses côtés contre le diable. Nous vous recommandons vivement d'utiliser DEUX PERSONNES pour déplacer le réfrigérateur et l'installer.

### 1 FIXATION DES POIGNÉES DU COMPARTIMENT RÉFRIGÉRATEUR

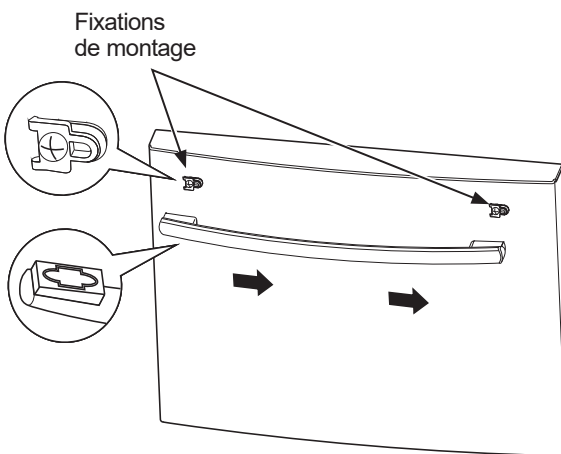
Fixez la poignée aux fixations de montage en alignant les fentes de la poignée sur les fixations. Glissez la poignée vers le bas jusqu'à entendre un clic.

**REMARQUE** : Pour les modèles à deux portes, suivez la même procédure pour les deux portes.



### 2 FIXATION DES POIGNÉES DU CONGÉLATEUR

Fixez la poignée aux fixations de montage en alignant les fentes de la poignée sur les fixations. Glissez la poignée vers le bas jusqu'à entendre un clic.



# Instructions d'installation

## INSTALLATION DU RÉFRIGÉRATEUR (Suite)

### ENLÈVEMENT DES PORTES D'UN MODÈLE À DEUX PORTES

(modèles à deux portes)

#### ⚠ AVERTISSEMENT

Suivez toutes les étapes lors du changement d'ouverture de la porte. La porte risque de tomber en plus de causer des blessures ou des dommages si vous ne respectez pas ces instructions, oubliez des pièces ou effectuez un serrage excessif des vis.

#### REMARQUES IMPORTANTES

Avant d'enlever les portes :

- Lisez les instructions jusqu'au bout avant de commencer.
- Les poignées sont incluses à l'intérieur du réfrigérateur.
- Placez les vis à proximité des pièces associées pour éviter de les utiliser aux mauvais endroits.
- Placez les portes sur une surface de travail qui ne les rayera pas.

#### ⚠ ATTENTION

#### Soulèvement de poids lourd.

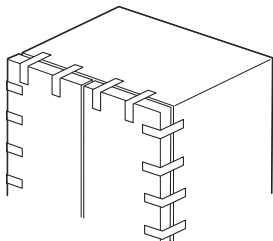
Une seule personne risque de se blesser à soulever un tel poids. Faites-vous aider lors de la manipulation, le déplacement et le soulèvement des portes de réfrigérateur.

**REMARQUE :** Lors du déplacement, déposez la porte à un endroit sûr qui n'abîmera ni la porte ni son électronique.

#### ⚠ AVERTISSEMENT

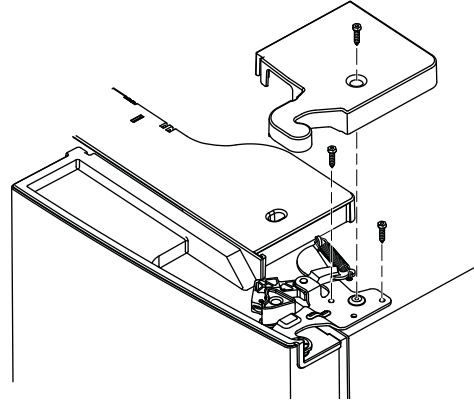
Pour éliminer le risque de choc électrique ou d'autres blessures pendant l'installation, vous devez d'abord débrancher le réfrigérateur avant de procéder. L'omission de suivre cette directive peut causer un choc électrique.

Immobilisez les portes fermées avec du ruban adhésif.



### 1 ENLÈVEMENT DE LA PORTE DROITE

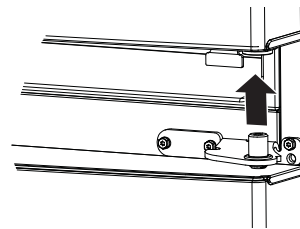
- A. Enlevez le couvercle de charnière dans le haut de la porte du compartiment réfrigérateur en retirant la vis à l'aide d'un tournevis cruciforme.



- B À l'aide d'une clé à douille 5/16 po, retirez les boulons qui fixent la charnière supérieure sur la carrosserie. Soulevez le support de charnière en ligne droite pour libérer l'axe de charnière de la douille dans le haut de la porte.

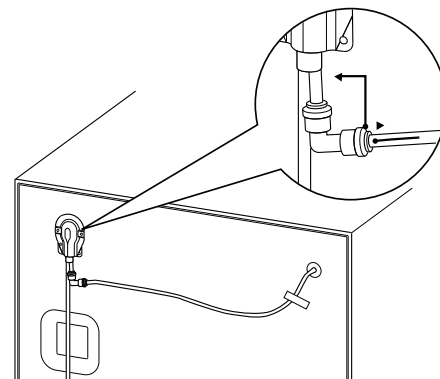
- C. Retirez le ruban de la porte droite et penchez la porte à l'écart de la carrosserie. Soulevez la porte pour la dégager de l'axe de charnière central.

- D. Déposez la porte sur une surface qui ne rayera pas la porte, intérieur vers le haut.



### 2 ENLÈVEMENT DE LA PORTE GAUCHE

- A. Modèles avec distributeur d'eau et de glace seulement : Déconnectez la conduite d'eau à l'arrière du réfrigérateur et retirez tout le ruban qui fixe la conduite au réfrigérateur.

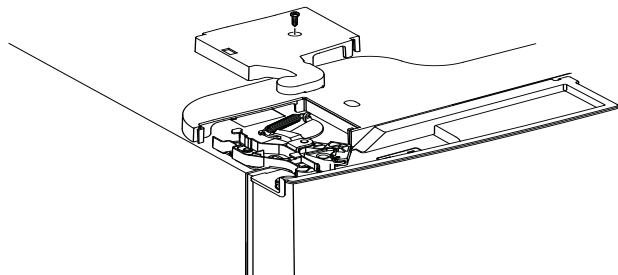


## Instructions d'installation

## INSTALLATION DU RÉFRIGÉRATEUR (Suite)

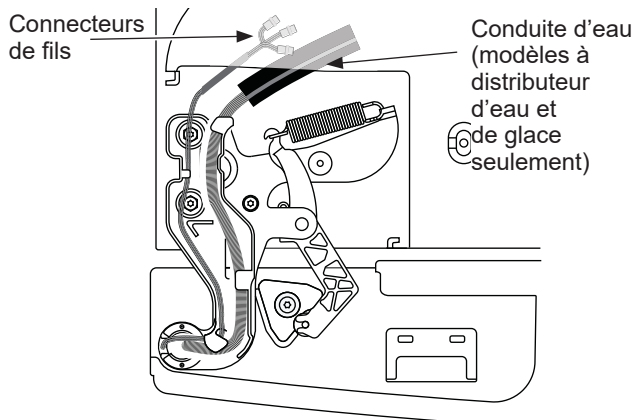
## 2 ENLÈVEMENT DE LA PORTE GAUCHE (Suite)

B. Enlevez le couvercle de charnière dans le haut de la porte gauche en retirant la vis à l'aide d'un tournevis cruciforme.

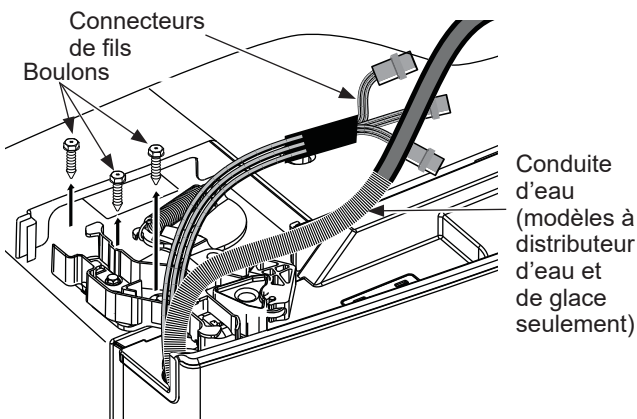


C. Débranchez les 3 connecteurs de fils et déplacez les fils jusqu'à voir les vis qui fixent la charnière.

**Modèles à distributeur d'eau et de glace seulement :** Tirez sur la conduite d'eau avec précaution.



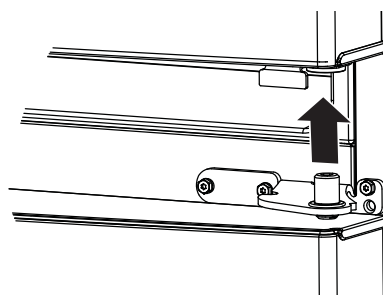
D. À l'aide d'une clé à douille 5/16 po, retirez les boulons qui fixent la charnière supérieure sur la carrosserie.



**Modèles SANS distributeur d'eau et de glace seulement :** Soulevez la charnière en ligne droite pour dégager l'axe de charnière de la douille dans le haut de la porte et acheminez le fil dans la fente de la charnière. **Modèles à distributeur d'eau et de glace seulement :** N'enlevez pas la charnière de la porte.

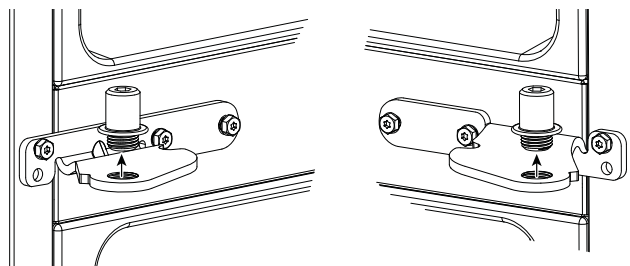
E. Retirez le ruban de la porte, ouvrez la porte sur 90 degrés et penchez-la à l'écart de la carrosserie. Soulevez la porte pour la dégager de l'axe de charnière central.

F. Déposez la porte sur une surface qui ne rayera pas la porte, intérieur vers le haut.

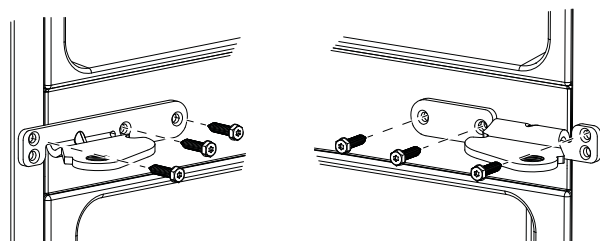


## 3 ENLÈVEMENT DES CHARNIÈRES ET SUPPORTS CENTRAUX

A. À l'aide d'une clé hexagonale 1/4 po, enlevez les 2 axes de charnière de leurs supports.



B. À l'aide d'une clé à douille 5/16 po, retirez les boulons qui fixent les supports de charnière sur la carrosserie.





# Instructions d'installation

## INSTALLATION DU RÉFRIGÉRATEUR (Suite)

### RÉINSTALLATION DES PORTES (modèles à deux portes)

#### REMARQUES IMPORTANTES

Avant de replacer les portes :

- Lisez les instructions jusqu'au bout avant de commencer.

#### **ATTENTION** Soulèvement de poids lourd.

Une seule personne risque de se blesser à soulever un tel poids. Faites-vous aider lors de la manipulation, le déplacement et le soulèvement des portes de réfrigérateur.

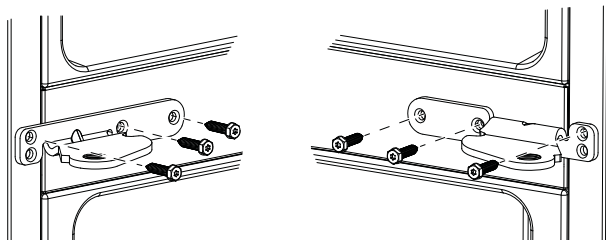
**REMARQUE :** Lors du déplacement, déposez la porte à un endroit sûr qui n'abîmera ni la porte ni son électronique.

#### **AVERTISSEMENT**

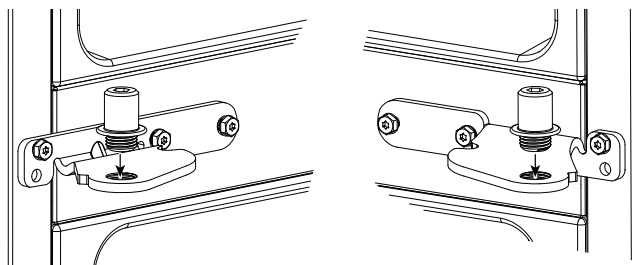
Pour éliminer le risque de choc électrique ou d'autres blessures pendant l'installation, vous devez d'abord débrancher le réfrigérateur avant de procéder. L'omission de suivre cette directive peut causer un choc électrique.

#### 1 RÉINSTALLATION DES SUPPORTS DE CHARNIÈRE ET DES CHARNIÈRES CENTRAUX

- A. À l'aide d'une clé à douille 5/16 po, refixez les boulons et les supports de charnière centraux sur la carrosserie.

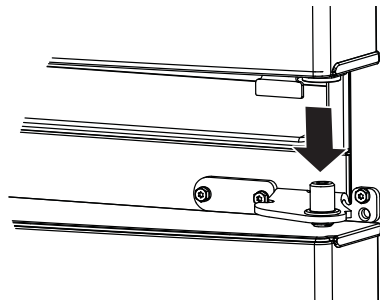


- B. À l'aide d'une clé hexagonale 1/4 po, refixez les 2 axes de charnière dans leurs supports.

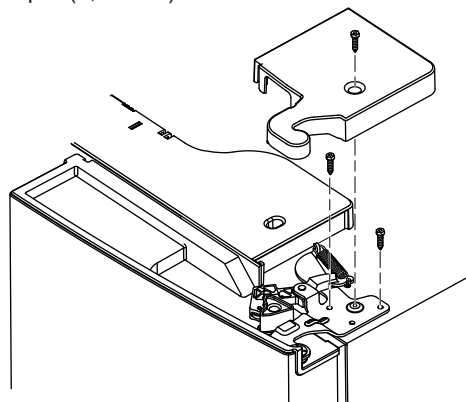


#### 2 RACCROCHAGE DE LA PORTE DROITE

- A. Abaissez la porte dans l'axe de la charnière droite.



- B. Assurez-vous que la porte est alignée sur la carrosserie. Fixez lâchement la charnière sur le haut de la carrosserie à l'aide des boulons retirés précédemment.
- C. Assurez-vous que le joint d'étanchéité de la porte s'appuie totalement contre la carrosserie, sans plis. Serrez les boulons avec un couple serrage de 60 lb-po. (6,78 Nm).

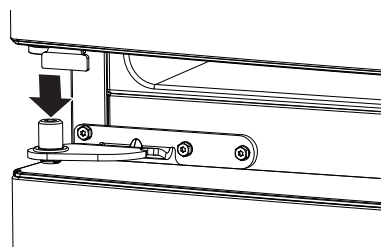


- D. Remplacez le couvercle de la charnière droite dans le haut du réfrigérateur à l'aide d'un tournevis cruciforme.

#### 3 RACCROCHAGE DE LA PORTE GAUCHE

- A. Modèles SANS distributeur d'eau et de glace seulement : Achenez le fil dans la fente de la charnière. Placez l'axe de charnière dans le haut de la porte.

- B. Abaissez la porte sur l'axe de la charnière gauche.



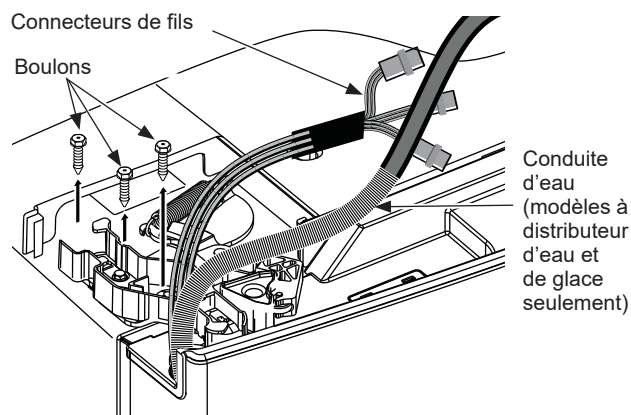
# Instructions d'installation

## INSTALLATION DU RÉFRIGÉRATEUR (Suite)

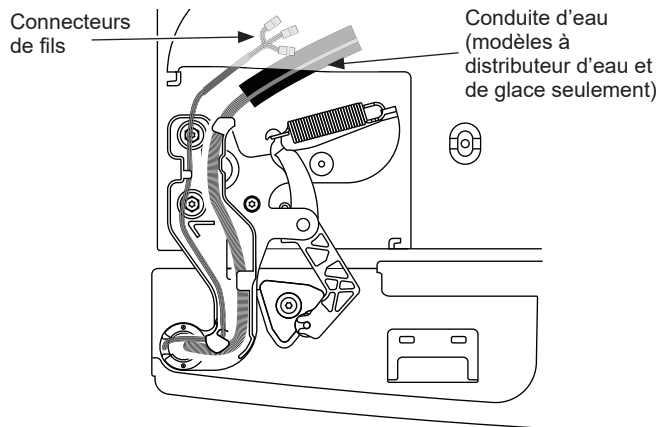
### RÉINSTALLATION DES PORTES (modèles à deux portes)

#### 3 RACCROCHAGE DE LA PORTE GAUCHE (Suite)

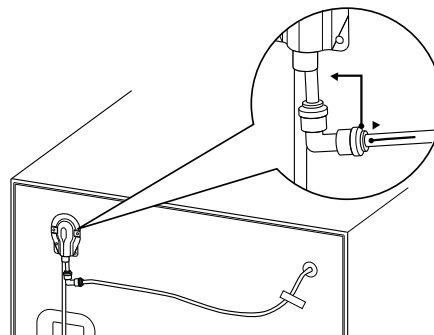
- C. Assurez-vous que la porte est alignée sur la carrosserie. Fixez lâchement la charnière sur le haut de la carrosserie à l'aide des boulons retirés précédemment.
- D. Assurez-vous que le joint d'étanchéité de la porte s'appuie totalement contre la carrosserie, sans plis. Serrez les boulons avec un couple serrage de (6,78 Nm).



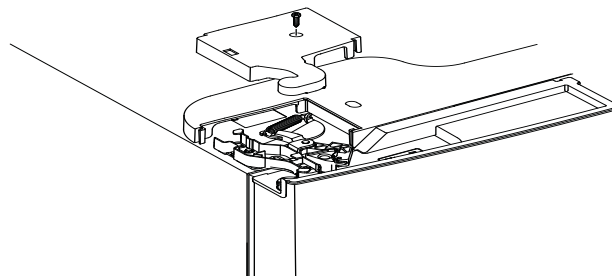
- E. Conduite d'eau (modèles à distributeur d'eau et de glace seulement).



- F. Modèles à distributeur d'eau et de glace seulement : Insérez la conduite d'eau dans le trou et à travers le logement en plastique jusqu'à l'arrière du réfrigérateur. Raccordez la conduite d'eau dans le raccord à l'arrière du réfrigérateur. Fixez la conduite avec du ruban sur le réfrigérateur.



- G. Remplacez le couvercle de la charnière gauche sur le dessus du réfrigérateur à l'aide d'un tournevis cruciforme.



# Instructions d'installation

## INSTALLATION DU RÉFRIGÉRATEUR (Suite)

### ENLÈVEMENT DES TIROIRS DU CONGÉLATEUR (certains modèles)

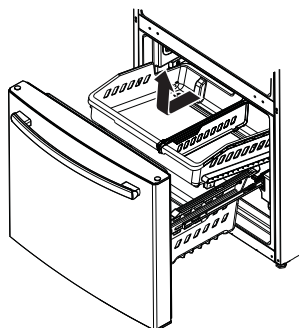
#### REMARQUES IMPORTANTES

Avant d'enlever le tiroir du congélateur :

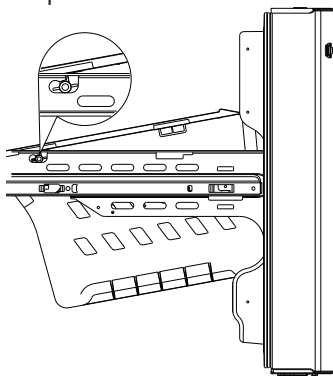
- Lisez les instructions jusqu'au bout avant de commencer.
- Placez le devant du tiroir sur une surface de travail qui ne les rayera pas.

#### 1 ENLEVER LES PANIERS

- A. Ouvrez le tiroir du congélateur jusqu'à ce qu'il s'arrête.
- B. Tirez le panier supérieur jusqu'à ce qu'il s'arrête. Soulevez le panier sur l'avant puis vers l'extérieur pour le sortir.

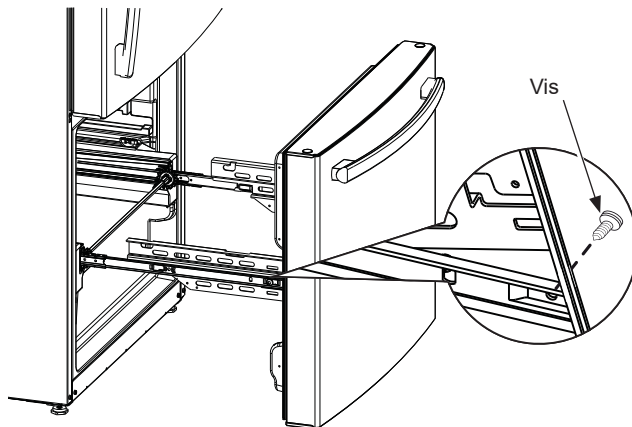


- C. Le panier inférieur repose sur un cadre à l'intérieur du tiroir. Soulevez l'avant du panier puis tirez vers l'avant. Libérez les tiges des fentes du cadre pour retirer le panier.

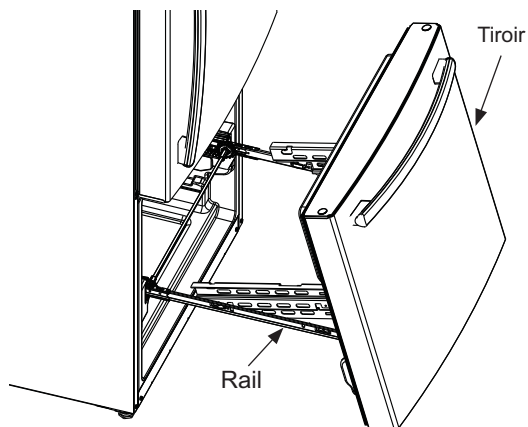


#### 2 ENLEVER LE DEVANT DU TIROIR

- A. Retirez la vis des glissières de chaque côté.



- B. Tirez vers le haut sur les deux côtés de la poignée du tiroir pour séparer les glissières des rails.



- C. Placez le devant du tiroir sur une surface de travail qui ne les rayera pas.
- D. Repoussez les rails à la position de verrouillage.

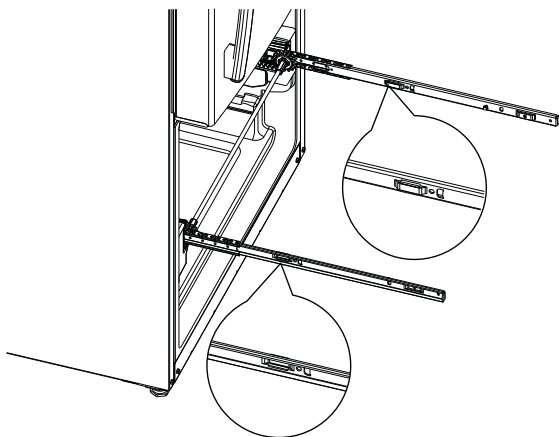
# Instructions d'installation

## INSTALLATION DU RÉFRIGÉRATEUR (Suite)

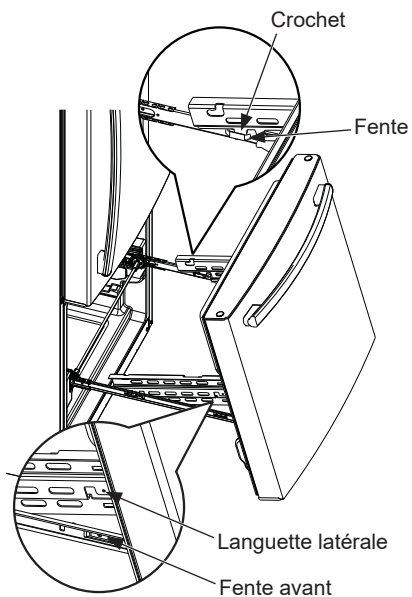
### ENLÈVEMENT DES TIROIRS DU CONGÉLATEUR (certains modèles) (Suite)

#### 3 RÉINSTALLER LE DEVANT DU TIROIR DU CONGÉLATEUR

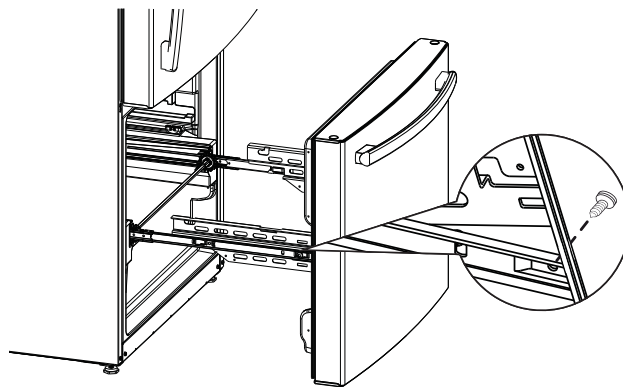
- A. Tirez les rails à leur extension maximale.  
 B. Repérez les fentes sur l'intérieur de chaque glissière



- C. Insérez les crochets aux extrémités des extensions du tiroir dans les fentes près de l'arrière des glissières.



- D. Abaissez l'extrémité avant du tiroir de façon que les languettes latérales s'insèrent dans les fentes avant des rails.  
 E. Remplacez les vis de sécurité dans les deux côtés des glissières et rails.



- F. Remplacez les paniers inférieur et supérieur (voir la section Tiroir du congélateur à la page 12).

## INSTALLATION DU RÉFRIGÉRATEUR (Suite)

### INVERSION DE LA PORTE (certains modèles)

#### ⚠ AVERTISSEMENT

Suivez toutes les étapes lors du changement d'ouverture de la porte. La porte risque de tomber en plus de causer des blessures ou des dommages si vous ne respectez pas ces instructions, oubliez des pièces ou effectuez un serrage excessif des vis.

#### LORS DE L'INVERSION DES PORTES :

Lors de l'inversion des portes :

- Lisez les instructions jusqu'au bout avant de commencer.
- L'écusson du logo, les poignées, les bouchons et le couvercle de la charnière droite sont inclus à l'intérieur du réfrigérateur (certains modèles).
- Placez les vis à proximité des pièces associées pour éviter de les utiliser aux mauvais endroits.
- Placez les portes sur une surface de travail qui ne les rayera pas.

#### ⚠ ATTENTION

#### Soulèvement de poids lourd.

Une seule personne risque de se blesser à soulever un tel poids. Faites-vous aider lors de la manipulation, le déplacement et le soulèvement des portes de réfrigérateur.

**REMARQUE :** Lors de l'enlèvement, déposez la porte à un endroit sûr qui n'abîmera ni la porte ni son électronique.

**REMARQUE :** L'axe et la charnière inférieurs de la porte doivent s'apparier précisément afin que la porte se ferme correctement d'elle-même. Veuillez suivre les instructions attentivement.

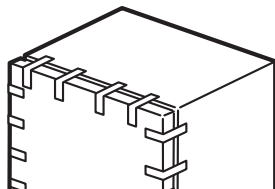
La porte du congélateur est lourde. Utilisez les deux mains pour bien agripper la porte avant de la soulever.

#### ⚠ AVERTISSEMENT

Pour éliminer le risque de choc électrique ou d'autres blessures pendant l'installation, vous devez d'abord débrancher le réfrigérateur avant de procéder. L'omission de suivre cette directive peut causer un choc électrique.

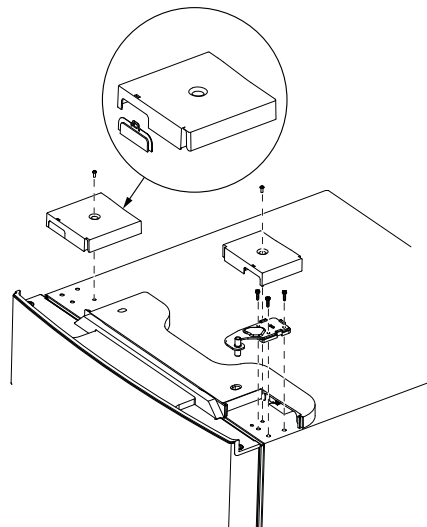
### 1 ENLEVER LES PORTES DU RÉFRIGÉRATEUR

- A. Immobilisez la porte fermée avec du ruban-cache adhésif.

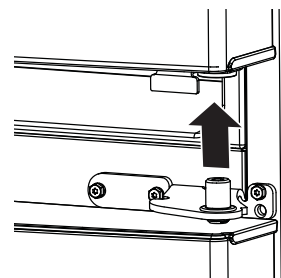


### 1 ENLEVER LES PORTES DU RÉFRIGÉRATEUR (Suite)

- B. Enlevez les couvercles des charnières gauche et droite dans le haut du réfrigérateur à l'aide d'un tournevis cruciforme.



- C. À l'aide d'une clé à douille 5/16 po, retirez les boulons qui fixent la charnière supérieure sur la carrosserie. Soulevez la charnière en ligne droite pour la dégager.

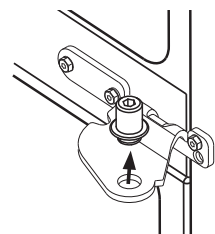


- D. Retirez le ruban adhésif et penchez la porte du compartiment réfrigérateur à l'écart de la carrosserie. Soulevez la porte pour la dégager de l'axe de charnière central.

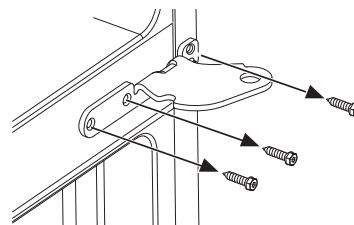
- E. Déposez la porte sur une surface qui ne la rayera pas, intérieur vers le haut.

#### Modèles avec TIROIR de congélateur :

- F. À l'aide d'une clé hexagonale, enlevez l'axe de charnière de son support. Cet axe sera utilisé du côté opposé.



- G. À l'aide d'une clé à douille 5/16 po, retirez les boulons qui fixent la charnière centrale sur la carrosserie.

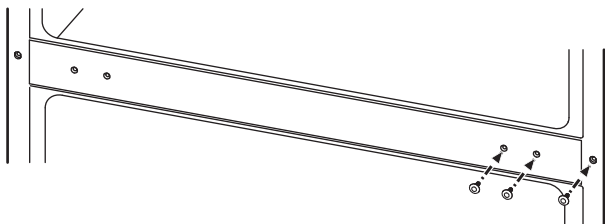


## Instructions d'installation

## INSTALLATION DU RÉFRIGÉRATEUR (Suite)

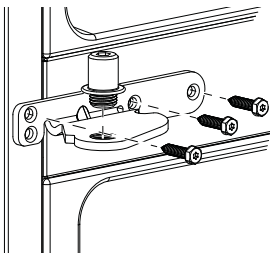
## 1 ENLEVER LES PORTES DU RÉFRIGÉRATEUR (Suite)

H. Retirez les bouchons sur la gauche de la carrosserie, du côté opposé de l'endroit où le support de charnière se trouvait, et posez-les dans les trous laissés libres par le retrait du support.



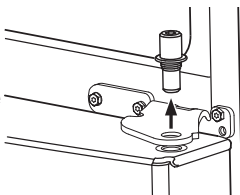
I. Retournez le support de charnière central et posez-le sur le côté gauche de la carrosserie là où les bouchons ont été retirés.

J. À l'aide d'une clé hexagonale 1/4 po, posez l'axe dans le support de charnière central.

**Modèles avec PORTE de congélateur :**

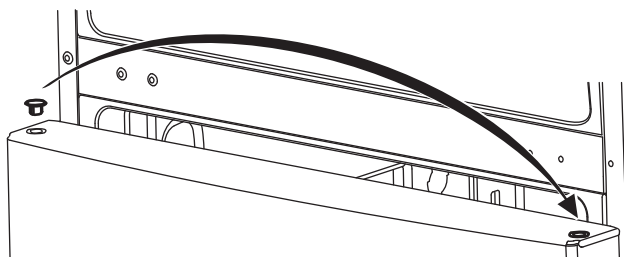
F. Immobilisez la porte du congélateur fermée avec du ruban adhésif.

G. À l'aide d'une clé hexagonale 1/4 po, retirez l'axe du support de charnière. Cet axe sera utilisé du côté opposé.



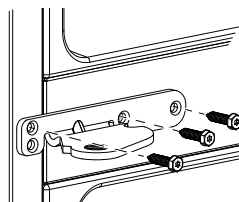
H. Retirez le ruban et penchez la porte à l'écart de la carrosserie. Soulevez la porte pour la dégager de l'axe de charnière inférieur.

I. À l'aide d'un petit tournevis à lame plate, retirez le bouchon du côté supérieur gauche de la porte et posez-le du côté opposé.

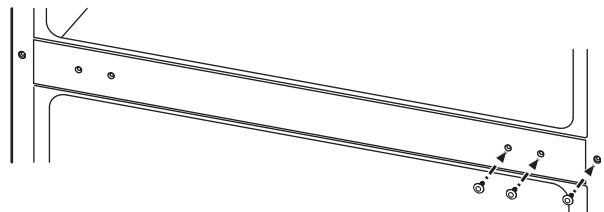


J. Déposez la porte sur une surface qui ne la rayera pas, intérieur vers le haut.

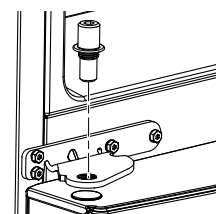
K. À l'aide d'une clé à douille 5/16 po, retirez les boulons qui fixent la charnière centrale sur la carrosserie.



L. Repérez les bouchons dans la trousse et posez-les du côté opposé de la charnière centrale.

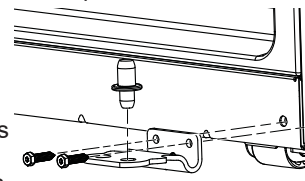


M. Retournez le support de charnière central. À l'aide d'une clé à douille 5/16 po, posez le boulon du côté gauche de la carrosserie et serrez au couple de serrage de 60 lb-po. (6,78 Nm).

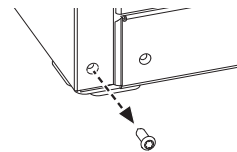


N. À l'aide d'une clé hexagonale 1/4 po, posez l'axe dans le support de charnière central. Ne laissez pas l'axe dépasser le bas du support.

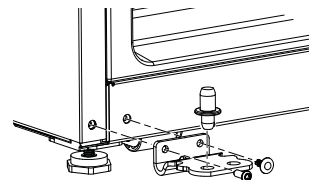
O. À l'aide d'une clé à douille 5/16 po, retirez les vis du support de charnière inférieur. Elles seront utilisées du côté opposé. Tirez l'axe vers le haut pour le dégager.



P. À l'aide d'un tournevis Torx T-20, retirez la vis de la carrosserie et posez-la du côté opposé.



Q. À l'aide d'une clé à douille 5/16 po, posez le support de charnière inférieur et vissez les vis au couple de serrage de 60 lb-po. (6,78 Nm). Reposez la charnière et l'axe dans le trou opposé sur la carrosserie.





# Instructions d'installation

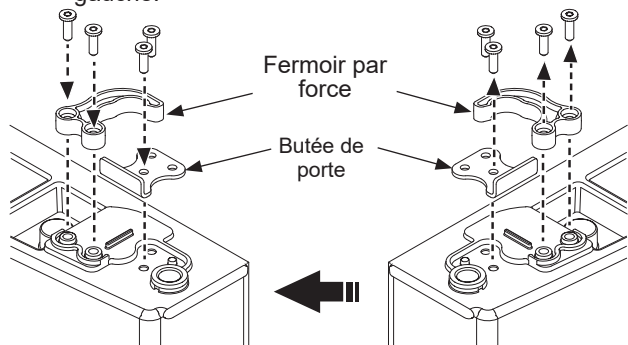
## INSTALLATION DU RÉFRIGÉRATEUR (Suite)

### ⚠ AVERTISSEMENT

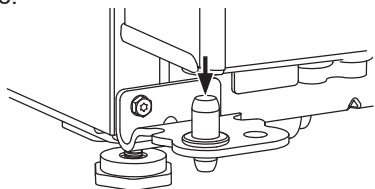
Suivez toutes les étapes lors du changement d'ouverture de la porte. La porte risque de tomber en plus de causer des blessures ou des dommages si vous ne respectez pas ces instructions, oubliez des pièces ou effectuez un serrage excessif des vis.

### 2 RÉINSTALLER LA PORTE DU CONGÉLATEUR

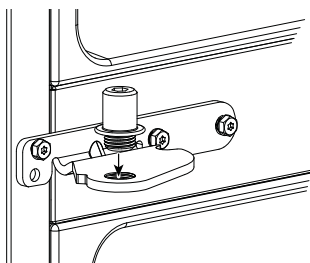
- A. À l'aide d'un tournevis Torx T-20, retirez les boulons qui fixent la butée de porte dans le bas de la porte à droite.
- B. À l'aide d'un tournevis Torx T-20, retirez le fermoir par force en plastique dans le bas de la porte à droite.
- C. Retournez le fermoir par force et posez-le dans le bas de la porte à gauche.
- D. Posez la butée de porte dans le bas de la porte à gauche.



- E. Abaissez la porte du congélateur et assurez-vous d'insérer l'axe de charnière dans le trou inférieur de la porte.

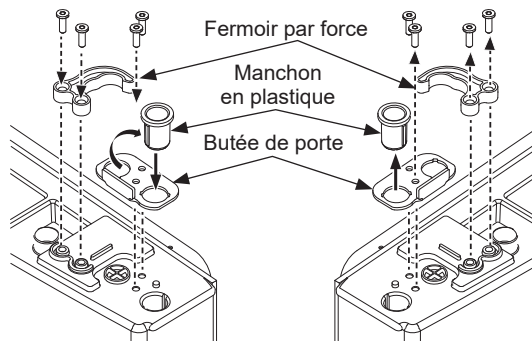


- F. Redressez la porte et alignez-la sur le support de charnière central. À l'aide d'une clé hexagonale 1/4 po, tournez l'axe de charnière jusqu'à ce qu'il traverse le support et s'insère dans la porte.

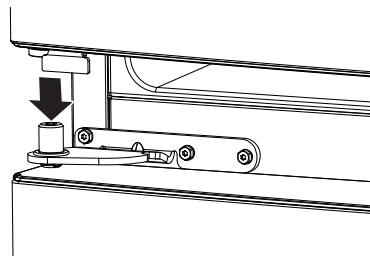


### 3 RÉINSTALLER LA PORTE DU COMPARTIMENT RÉFRIGÉRATEUR

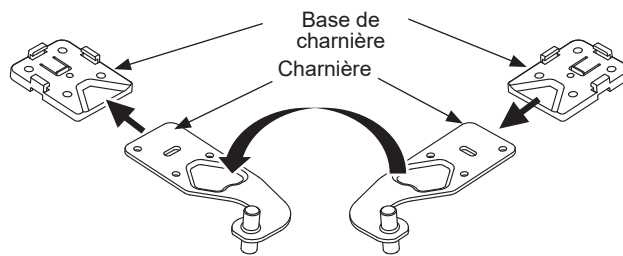
- A. À l'aide d'un tournevis Torx T-20, retirez les boulons qui fixent la butée de porte dans le bas de la porte à droite.



- B. Transférez le manchon en plastique dans le trou opposé. Posez la butée de porte avec le manchon en plastique sur le côté opposé.
- C. À l'aide d'un tournevis Torx T-20, retirez le fermoir par force en plastique dans le bas de la porte à droite.
- D. Retournez le fermoir en plastique et posez-le dans le bas de la porte à gauche.
- E. Posez la butée de porte dans le bas de la porte à gauche.
- F. Abaissez la porte du compartiment réfrigérateur et assurez-vous d'insérer l'axe de charnière dans le trou inférieur de la porte.



- G. Retirez la base de charnière de la charnière. Retournez la charnière et remontez la base de charnière.



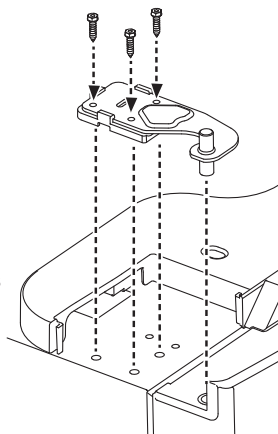
## Instructions d'installation

## INSTALLATION DU RÉFRIGÉRATEUR (Suite)

### 3 RÉINSTALLER LA PORTE DU COMPARTIMENT RÉFRIGÉRATEUR (Suite)

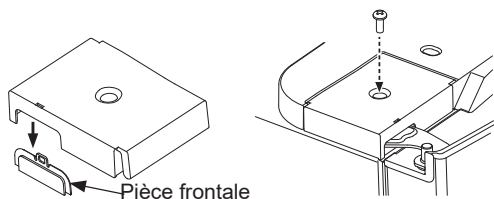
H. Insérez l'axe de charnière supérieur dans le trou dans le haut de la porte du compartiment réfrigérateur, à droite. Assurez-vous d'aligner la porte sur la carrosserie. Fixez lâchement la charnière sur le haut de la carrosserie à l'aide des boulons retirés précédemment.

Assurez-vous que le joint d'étanchéité s'appuie totalement contre la carrosserie, sans plis. Supportez la porte du côté de la poignée et assurez-vous que la porte est bien droite et que l'espace entre les portes est égal sur toute la distance. Tout en maintenant la porte en place, serrez les vis au couple de serrage de 60 lb-po. (6,78 Nm).

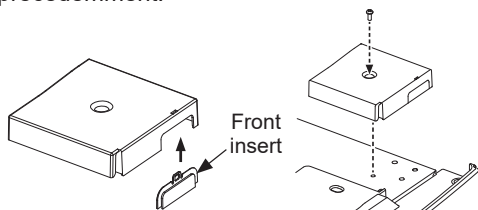


#### Modèles avec TIROIR de congélateur :

I. Retirez la pièce frontale du couvercle de charnière gauche. Posez ce couvercle à l'aide d'un tournevis cruciforme et de la vis retirée précédemment.

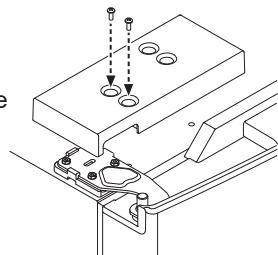


J. Posez la pièce frontale sur le couvercle de charnière droit. Posez ce couvercle à l'aide d'un tournevis cruciforme et de la vis retirée précédemment.



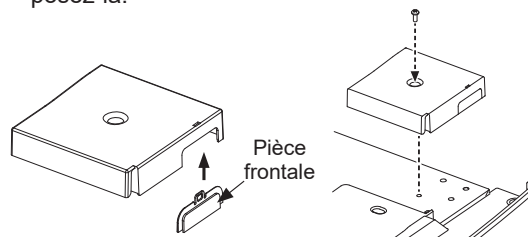
#### Modèles avec PORTE de congélateur :

I. Repérez le couvercle de charnière gauche livré avec la trousse. À l'aide d'un tournevis cruciforme et des vis fournies, posez le couvercle.



### 3 RÉINSTALLER LA PORTE DU COMPARTIMENT RÉFRIGÉRATEUR (Suite)

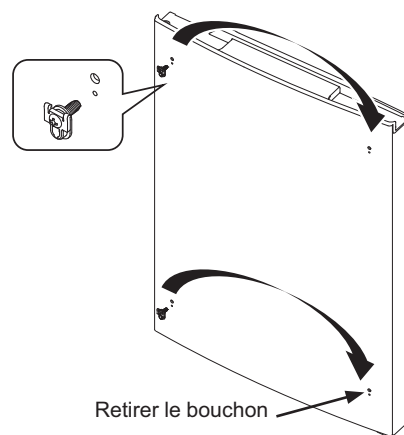
J. Repérez la pièce frontale, livrée avec la trousse, qui s'insère sur le couvercle de charnière droit et posez-la.



K. À l'aide d'un tournevis cruciforme et des vis fournies, posez le couvercle de charnière droit.

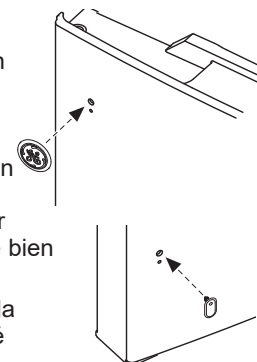
### 4 TRANSFÉREZ LES FIXATIONS DE MONTAGE DE LA POIGNÉE

- Retirez le bouchon du trou inférieur droit.
- À l'aide d'un tournevis cruciforme, retirez les vis qui fixent les supports de montage du côté gauche et posez-les du côté droit.



### 5 INSTALLER L'ÉCUSSION DU LOGO

- Repérez le nouvel écusson du logo dans la trousse. Retirez la doublure adhésive et alignez les tiges à l'arrière de l'écusson sur les trous dans la porte. Appliquez une pression sur l'écusson pour qu'il adhère bien à la porte.
- Repérez le bouchon dans la trousse et posez-le du côté opposé de la poignée.



# Instructions d'installation

## INSTALLATION DU RÉFRIGÉRATEUR (Suite)

### RACCORDEMENT DU RÉFRIGÉRATEUR À LA CONDUITE D'EAU DE LA MAISON (modèles avec machine à glaçons seulement)

Une alimentation en eau froide est nécessaire pour le fonctionnement de la machine à glaçons. Si elle est absente, vous devez en installer une. Consultez la section Installation de la conduite d'eau.

#### Remarques :

- Avant de raccorder votre réfrigérateur, assurez-vous que le cordon électrique n'est pas branché dans la prise murale.
- Si votre réfrigérateur n'est pas doté d'un filtre d'eau, nous recommandons d'en installer un si votre alimentation d'eau contient du sable ou des particules qui peuvent obstruer la grille du robinet d'eau du réfrigérateur. Si vous utilisez la trousse de tuyauterie pour réfrigérateur SmartConnect™, vous aurez besoin d'un tube supplémentaire (WX08X10002) pour connecter le filtre. Ne coupez pas le tube en plastique pour installer le filtre.
- Avant de raccorder la conduite d'eau à la maison, purgez la conduite de la maison pendant au moins 2 minutes.

**A. Si vous utilisez un tuyau en cuivre**, placez un écrou à compression et une bague sur l'extrémité du tuyau d'alimentation d'eau froide de la maison.

**Si vous utilisez la tuyauterie SmartConnect™**, les écrous sont déjà montés sur le tuyau.

**B. Si vous utilisez un tuyau en cuivre**, insérez l'extrémité du tuyau aussi loin que possible dans le raccord du réfrigérateur à l'arrière de celui-ci. Tout en tenant le tuyau, serrez le raccord.

**Si vous utilisez la tuyauterie SmartConnect™**, insérez l'extrémité moulée du tuyau dans le raccord du réfrigérateur à l'arrière de celui-ci, et serrez l'écrou à compression à la main. Utilisez ensuite une clé pour le serrer d'un tour supplémentaire. Un serrage excessif peut causer des fuites.

**C. Attachez le tuyau dans le collier de serrage** fourni pour le maintenir en position. Il faudra peut-être écarter le collier avec un outil pour l'ouvrir.

Une des illustrations ci-dessous ressemble au raccord sur votre réfrigérateur.

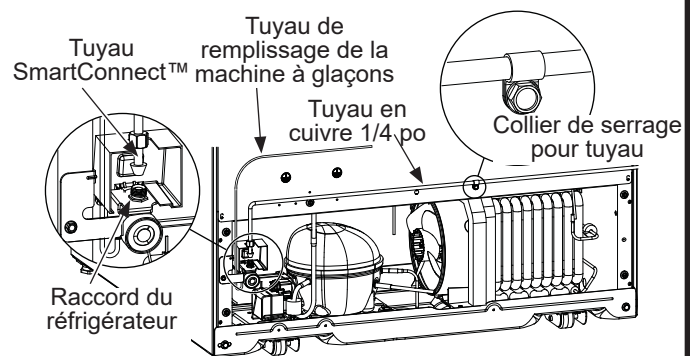
**⚠ AVERTISSEMENT** Raccordez l'appareil à une alimentation d'eau potable seulement.

Une alimentation d'eau froide est requise pour faire fonctionner la machine à glaçons et le pichet à remplissage automatique. La pression d'eau doit se situer entre 40 et 120 psi. (275 à 827 kPa).

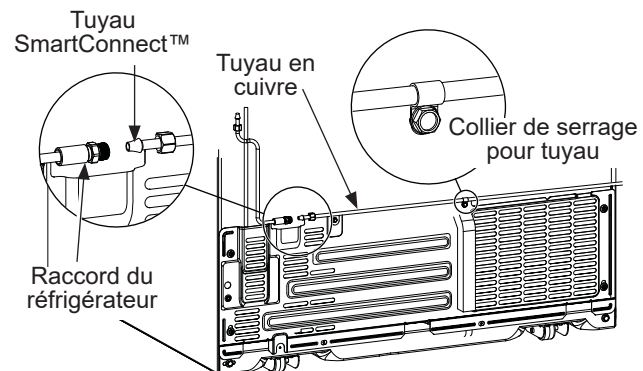
**⚠ AVERTISSEMENT**  **RISQUE DE DÉCHARGE ÉLECTRIQUE**

Fixez le collier de serrage dans le trou présent seulement. **NE PERCEZ PAS** dans le réfrigérateur.

#### Modèles pouvant recevoir une machine à glaçons

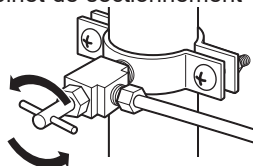


#### Modèles avec machine à glaçon installée



### OUVRIR L'ALIMENTATION D'EAU (modèles avec machine à glaçons)

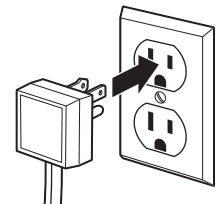
Ouvrez l'alimentation d'eau au robinet de sectionnement (alimentation de la maison) et vérifiez l'absence de fuites.



### BRANCHER LE RÉFRIGÉRATEUR

Pour les modèles avec machine à glaçons, avant de brancher le réfrigérateur, assurez-vous que l'interrupteur de courant se trouve à la position O (Off/arrêt).

Voir les renseignements sur la mise à la terre attachés au cordon électrique.



# Instructions d'installation

## INSTALLATION DU RÉFRIGÉRATEUR (Suite)

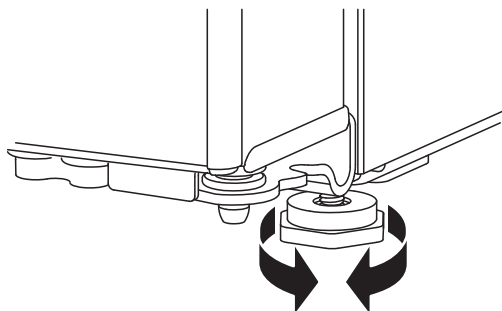
### METTRE LE RÉFRIGÉRATEUR EN PLACE

Placez le réfrigérateur à son emplacement final.

### METTRE LE RÉFRIGÉRATEUR DE NIVEAU

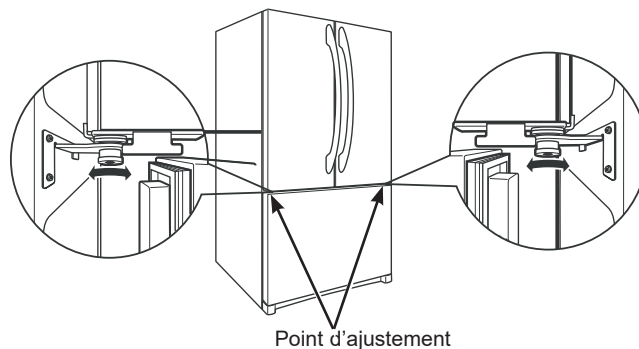
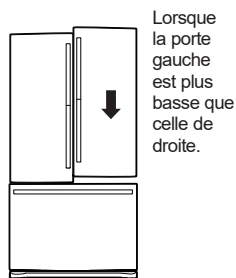
Les **pieds de nivellement** aux coins avant du réfrigérateur doivent être réglés de façon que le réfrigérateur repose solidement sur le plancher, et que l'avant soit légèrement surélevé, juste assez pour que la porte se referme aisément lorsqu'elle est ouverte à mi-parcours.

Pour régler les **pieds de nivellement**, tournez-les dans le **sens des aiguilles** pour soulever le réfrigérateur, dans le **sens inverse des aiguilles** pour l'abaisser.



### METTRE LES PORTES DU RÉFRIGÉRATEUR DE NIVEAU (certains modèles)

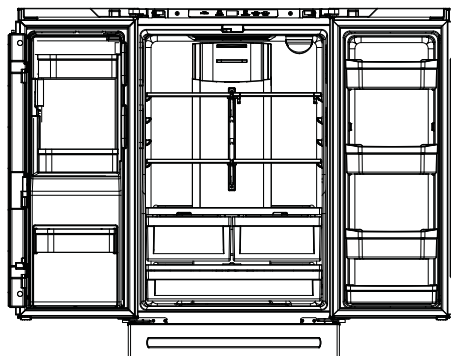
Un réfrigérateur de niveau est nécessaire pour mettre les portes à égalité. Si vous avez besoin d'aide, revoyez la section précédente sur le nivellement du réfrigérateur.



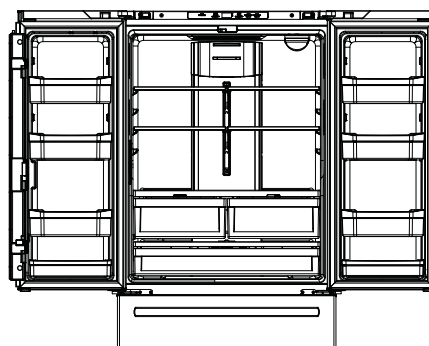
Si les portes demeurent inégales, tournez la tige réglable à l'aide d'une clé hexagonale ¼ po pour soulever la porte la plus basse.

### Montage du réfrigérateur suggéré

Tablettes dans la position de meilleure efficacité énergétique.



**GYE18J, PYE18H**  
18 cuft. Modèles à deux portes avec tiroir de congélateur

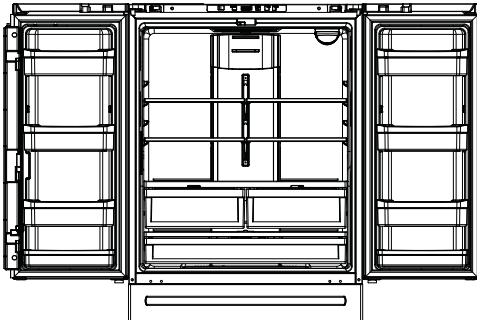


**GWE19J**  
19 cuft. Modèles à deux portes avec tiroir de congélateur

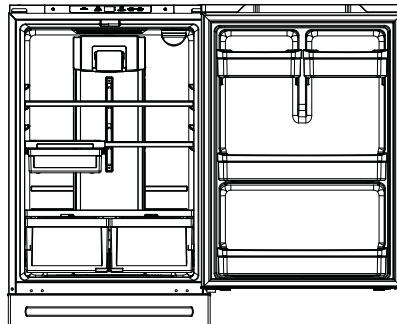
# Instructions d'installation

## Montage du réfrigérateur suggéré (suite)

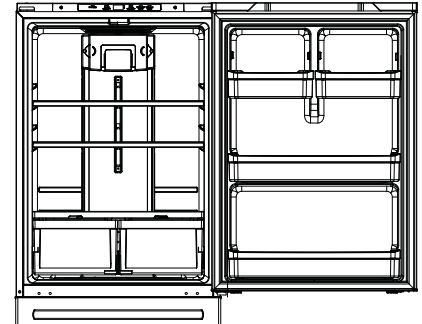
Tablettes dans la position de meilleure efficacité énergétique.



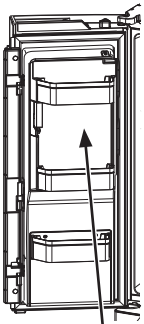
**GNE21D, GNE21F,  
PNE21K, PNE21N**  
21 cuft. Modèles à deux portes avec  
 tiroir de congélateur



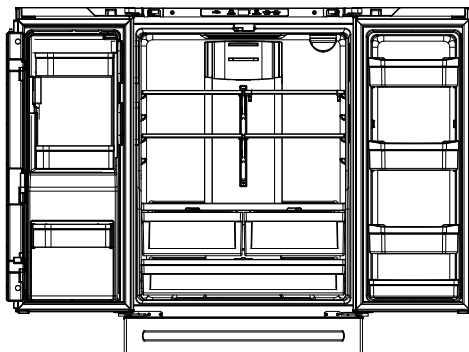
**GDE21D, GDE21E,  
PDE21K, GDE25E**  
21, 25 cuft. Modèles à une  
 porte avec tiroir de congélateur



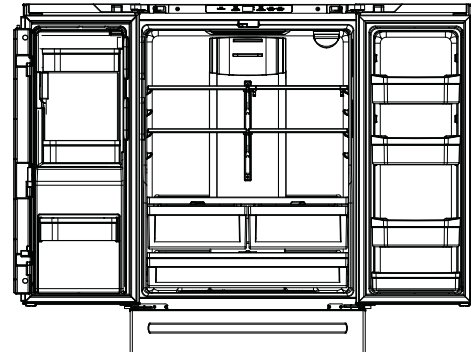
**GBE21D, GBE21A**  
21 cuft. Modèles à une porte  
 avec porte de congélateur



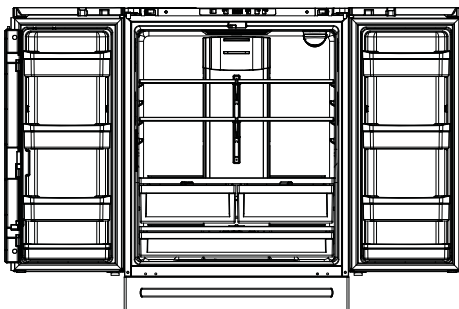
La machine à  
 glaçons dans la  
 porte est offerte  
 pour tous les 24 ,  
 26 modèles à deux  
 portes.



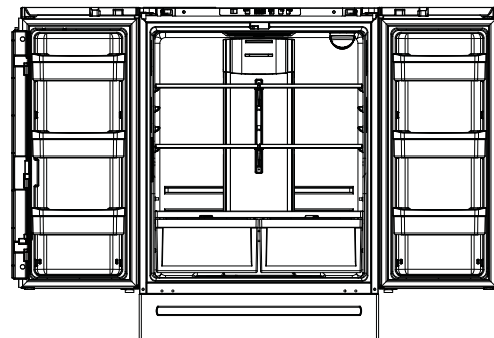
**GFE24J, PFE24J, CFE24S,  
PFE24H** 24 cuft. Modèles à deux  
 portes avec tiroir de congélateur



**GFE26J**  
26 cuft. Modèles à deux  
 portes avec tiroir de congélateur



**GNE25D, GNE25J, PNE25J,  
CNE25S, PNE25N, GNE27J**  
25, 27 cuft. Modèles à deux portes  
 avec tiroir de congélateur



**GNE27E**  
27 cuft. Modèles à deux portes  
 avec tiroir de congélateur

# Instructions d'installation

## INSTALLATION DE LA CONDUITE D'EAU

### AVANT DE COMMENCER

Nous recommandons les trousse de tuyauterie en cuivre WX8X2, WX8X3, WX8X4, selon la longueur dont vous avez besoin. Nous approuvons les tuyaux en plastique de la trousse de tuyauterie pour réfrigérateur SmartConnect™ (WX08X10006, WX08X10015 et WX08X10025).

Si vous installez un système d'eau par osmose inverse GE Appliances dans votre réfrigérateur, la seule installation approuvée est celle de la trousse GE Appliances RVKIT. Pour les autres systèmes d'osmose inverse, suivez les recommandations du fabricant.

Si l'alimentation d'eau à votre réfrigérateur vient d'un système de filtration par osmose inverse ET si votre réfrigérateur a également un filtre d'eau, utilisez le bouchon de dérivation du filtre de votre réfrigérateur. Si vous utilisez la cartouche de filtration de votre réfrigérateur conjointement avec le filtre d'osmose inverse, vous pouvez produire des glaçons creux. Certains modèles ne sont pas livrés avec un bouchon de dérivation du filtre. Pour vous en procurer un gratuitement, composez le 800-GEARES. Au Canada, le 800.561.3344.

Cette installation de conduite d'eau n'est pas garantie par le fabricant de réfrigérateur ou de machine à glaçons. Suivez soigneusement ces instructions pour minimiser le risque de dommages onéreux d'inondation.

Les coups de bélier (eau qui donne des coups dans les tuyaux) dans la tuyauterie de la maison peut occasionner des dommages aux pièces de votre réfrigérateur, ainsi que des fuites ou des inondations. Appelez un plombier agréé pour corriger les coups de bélier avant d'installer la conduite d'eau de votre réfrigérateur.

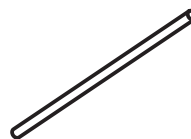
Pour prévenir les brûlures et les dommages à votre réfrigérateur, ne branchez jamais la conduite d'eau à une canalisation d'eau chaude.

N'installez pas les tuyaux de la machine à glaçons dans des endroits où la température risque de descendre en dessous du point de congélation.

Si vous utilisez un outil électrique (comme une perceuse électrique) pendant l'installation, assurez-vous qu'il est doté d'une double isolation et d'une mise à la terre de son câblage afin de prévenir tout risque de choc électrique. On peut aussi utiliser un outil alimenté par batterie.

Vous devez procéder à toutes vos installations en conformité avec votre code local de plomberie.

### CE DONT VOUS AUREZ BESOIN



- Un tuyau en cuivre ou la trousse de tuyauterie pour réfrigérateur SmartConnect™, diamètre extérieur de 1/4 po, pour brancher le réfrigérateur à l'alimentation d'eau. Si vous utilisez un tuyau en cuivre, assurez-vous que les deux extrémités du tuyau sont coupées bien droit.

Pour trouver la longueur de tuyau dont vous aurez besoin : mesurez la distance qui va du robinet d'eau situé derrière le réfrigérateur jusqu'au tuyau d'alimentation d'eau. Assurez-vous qu'il y a assez de tuyau en surplus pour vous permettre d'écarter le réfrigérateur du mur après l'installation.

Les trousse SmartConnect™ sont disponibles dans les dimensions suivantes :

- 1,8 m (6 pi) – WX08X10006
- 4,6 m (15 pi) – WX08X10015
- 7,6 m (25 pi) – WX08X10025

### **⚠ AVERTISSEMENT** Raccordez l'appareil à une alimentation d'eau potable seulement.

Une alimentation d'eau froide est requise pour faire fonctionner la machine à glaçons et le pichet à remplissage automatique. La pression d'eau doit se situer entre 40 et 120 psi. (275 à 827 kPa).



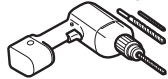
# Installation Instructions

## INSTALLATION DE LA CONDUITE D'EAU (Suite)

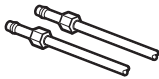
### CE DONT VOUS AUREZ BESOIN (Suite)

**REMARQUE :** Les seuls tuyaux en matière plastique approuvés par GE Appliances sont ceux qui sont fournis dans les trousse de tuyauterie pour réfrigérateur SmartConnect™. N'utilisez jamais un autre tuyau en plastique, car le tuyau d'alimentation d'eau est tout le temps sous pression. Certains types de tuyaux en plastique peuvent devenir cassants avec l'âge et se fendre, occasionnant des dommages d'inondation dans votre maison.

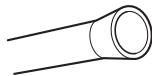
- Vous pouvez acheter une trousse d'alimentation d'eau GE Appliances (contenant un tuyau en cuivre, un robinet d'arrêt et les joints énumérés ci-dessous) chez votre distributeur local ou auprès du service des pièces et accessoires GE Appliances au 877.959.8688 (Au Canada le 1.800.661.1616).
- Une alimentation d'eau froide. La pression de l'eau doit mesurer entre 20 et 120 psi. (138-827 kPa).



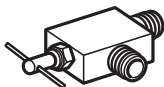
- Une perceuse électrique.
- Une clé de 1/2 po ou une clé réglable.



- Un tournevis à lame plate et un tournevis cruciforme.
- Deux écrous à compression d'un diamètre extérieur de 1/4 po et deux bagues (manchons) pour raccorder le tuyau en cuivre au robinet de sectionnement et au robinet d'eau du réfrigérateur.  
OU
- Si vous utilisez une trousse de tuyauterie pour réfrigérateur SmartConnect™ avec tuyau en plastique, les raccords nécessaires sont déjà montés au tuyau.



- Si votre conduite d'eau en cuivre actuelle présente un raccord évasé à une extrémité, vous aurez besoin d'un adaptateur (offert chez les marchands de matériel de plomberie) pour raccorder le tuyau d'eau au réfrigérateur, OU vous pouvez couper le raccord évasé à l'aide d'un coupe-tube, puis utiliser un raccord à compression. Ne coupez pas l'extrémité moulée d'un tuyau de la trousse SmartConnect™.



- Un robinet de sectionnement à connecter au tuyau d'eau froide. Le robinet de sectionnement doit avoir une entrée d'eau d'un diamètre intérieur minimal de 5/32 po au point de raccordement avec la CONDUITE D'EAU FROIDE. Des robinets de sectionnement à étrier sont souvent inclus dans les trousse d'alimentation d'eau. Avant d'acheter, assurez-vous que le robinet à étrier satisfait à vos codes de plomberie locaux.

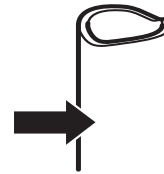
Installez le robinet de sectionnement sur la conduite d'eau potable la plus utilisée.

### 1 FERMER L'ALIMENTATION D'EAU PRINCIPALE

Ouvrez le robinet le plus proche suffisamment longtemps pour purger le tuyau.

### 2 CHOISIR L'EMPLACEMENT DU ROBINET DE SECTIONNEMENT

Choisissez pour le robinet un emplacement facilement accessible. Il vaut mieux le brancher de côté à un tuyau vertical. Si vous devez le brancher à un tuyau horizontal, faites le branchement en haut ou de côté, plutôt qu'en bas du tuyau, pour éviter de recevoir des sédiments du tuyau d'alimentation d'eau.

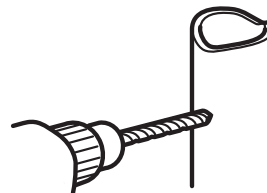


### 3 PERCER UN TROU POUR LE ROBINET

Percez un trou de 1/4 po dans la conduite d'eau à l'aide d'un foret dur (même si vous utilisez un robinet autotaraudeur). Enlevez toute barbare due au perçage du trou dans le tuyau.

Faites attention de ne pas laisser de l'eau couler dans votre perceuse électrique.

Si vous ne percez pas un trou de 1/4 po, vous obtiendrez une alimentation d'eau réduite et des glaçons plus petits.



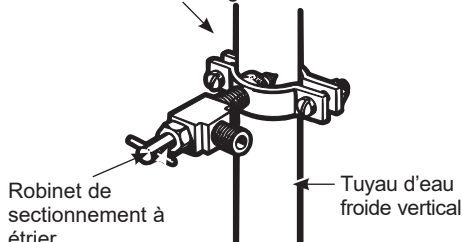
# Instructions d'installation

## INSTALLATION DE LA CONDUITE D'EAU (Suite)

### 4 FIXER LE ROBINET DE SECTIONNEMENT

Fixez le robinet de sectionnement au tuyau d'eau froide à l'aide du collier de serrage.

Collier de serrage

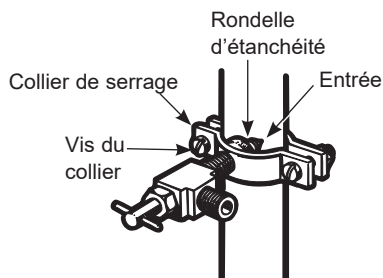


**REMARQUE :** Vous devez vous conformer aux Codes de plomberie 248CMR du Commonwealth of Massachusetts. Les robinets de sectionnement à étrier sont illégaux et leur utilisation n'est pas autorisée au Massachusetts. Consultez votre plombier local.

### 5 SERRER LE COLLIER DE SERRAGE

Serrez les vis du collier jusqu'à ce que la rondelle d'étanchéité commence à enfler.

**REMARQUE :** Ne serrez pas trop. Vous risquez d'écraser le tuyau.



### 6 ACHEMINER LE TUYAU

Acheminez le tuyau entre la conduite d'eau froide et le réfrigérateur.

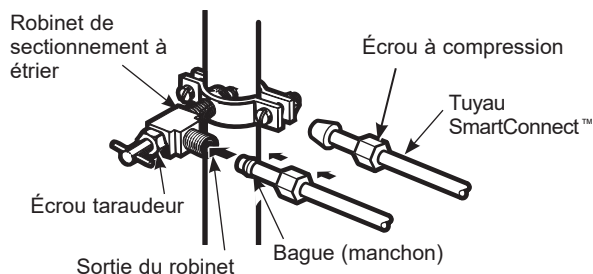
Faites passer le tuyau par un trou percé dans le mur ou le plancher (derrière le réfrigérateur ou au niveau de l'armoire de cuisine adjacente), aussi près du mur que possible.

### 7 RACCORDER LE TUYAU AU ROBINET DE SECTIONNEMENT

Placez un écrou à compression et une bague (manchon) à l'extrémité du tuyau et posez-les sur le robinet de sectionnement.

Assurez-vous que le tuyau est bien inséré dans le robinet. Serrez fort l'écrou à compression.

Pour le tuyau en plastique de la trousse pour réfrigérateur SmartConnect™, insérez l'extrémité moulée du tuyau dans le robinet de sectionnement et serrez l'écrou à compression à la main, puis serrez d'un tour avec une clé. Un serrage excessif peut causer des fuites.



**REMARQUE :** Vous devez vous conformer aux Codes de plomberie 248CMR du Commonwealth of Massachusetts. Les robinets de sectionnement à étrier sont illégaux et leur utilisation n'est pas autorisée au Massachusetts. Consultez votre plombier local.

### 8 PURGER LE TUYAU

Ouvrez l'alimentation d'eau principale et purgez le tuyau jusqu'à ce que l'eau soit claire.

Fermez l'eau au robinet d'eau après l'écoulement d'environ 1 litre d'eau (env. 2 minutes) par le tuyau.



Pour compléter l'installation du réfrigérateur, retournez à l'étape 11 de la section Installation du réfrigérateur.

# Bruits de fonctionnement normaux

Les réfrigérateurs plus récents font des bruits différents de ceux des anciens.  
Les réfrigérateurs modernes présentent plus de fonctions et sont plus avancés sur le plan technologique.

## Entendez-vous ce que j'entends ? Ces bruits sont

**HUMMM...  
WHOOSH...**

- Le nouveau compresseur à rendement élevé peut fonctionner plus longtemps et plus vite que votre ancien réfrigérateur et vous pouvez entendre un son modulé ou un ronflement aigu pendant son fonctionnement.
- Vous pouvez entendre un sifflement lorsque les portes se ferment. Cela vient de l'équilibrage de pression dans le réfrigérateur.

**OUIR!**



- Vous pouvez entendre les ventilateurs tourner à hautes vitesses. Cela se produit lorsque le réfrigérateur vient d'être branché, lorsque les portes sont ouvertes fréquemment ou lors de l'ajout d'une grande quantité d'aliments dans les compartiments congélateur ou réfrigérateur. Les ventilateurs permettent de maintenir les bonnes températures.
- Les ventilateurs changent de vitesses pour assurer des économies d'énergie et un refroidissement optimaux.

## CLICS et CLAQUEMENTS

- • Vous pouvez entendre des craquements ou des claquements lorsque le réfrigérateur est branché pour la première fois. Cela se produit lorsque le réfrigérateur se refroidit à la bonne température.
- L'expansion et la contraction des serpentins de refroidissement pendant et après le dégivrage peuvent causer un craquement ou un claquement.
- Sur les modèles équipés d'une machine à glaçons, après un cycle de fabrication de glaçons, vous pouvez entendre les glaçons tomber dans le bac.
- Sur les modèles munis d'un distributeur, le mouvement des conduites peut être audible lors de la première distribution d'eau et après le relâchement du bouton du distributeur.

## BRUITS D'EAU



- Le passage de l'agent frigorigère dans les serpentins de refroidissement du congélateur peut être accompagné d'un gargouillement semblable à celui de l'eau en ébullition.
- L'eau tombant sur l'élément chauffant de dégivrage peut faire un bruit de grésillement, de claquement ou de bourdonnement pendant le cycle de dégivrage.
- Un bruit de suintement d'eau peut être entendu pendant le cycle de dégivrage lorsque la glace de l'évaporateur fond et tombe dans le bac de récupération.
- Fermer la porte peut causer un gargouillement en raison de l'équilibrage de pression.

# Conseils de dépannage... Avant d'appeler un réparateur

Économisez du temps et de l'argent! Consultez d'abord les tableaux qui suivent et vous pourrez peut-être éviter de faire appel à un réparateur.

Problème	Causes possibles	Que faire
Le réfrigérateur ne fonctionne pas	Le cycle de dégivrage est en cours.	Attendez environ 30 minutes afin que le cycle de dégivrage se termine.
	Une des commandes ou les deux est sur la position OFF (arrêt).	Réglez les commandes de température à une température plus basse.
	Le réfrigérateur est débranché.	Enfoncez complètement la fiche de l'appareil dans la prise murale.
	Le fusible est grillé/le disjoncteur est déclenché.	Remplacez le fusible ou réenclenchez le disjoncteur.
	Votre réfrigérateur est en mode de démonstration.	Débranchez votre réfrigérateur et rebranchez-le.
Vibration ou bruit métallique (une légère vibration est normale)	Vous devez ajuster les jambes de nivellement.	Voir la Mettre le réfrigérateur de niveau.
Le moteur fonctionne pendant de longues périodes ou il s'allume et s'éteint fréquemment en alternance. (Les appareils modernes dotés de compartiments réfrigérateur et congélateur de grand volume exigent un temps de fonctionnement plus long. Ils démarrent et s'arrêtent souvent pour maintenir des températures uniformes.	Ceci est normal lorsque le réfrigérateur vient d'être branché.	Attendre 24 heures pour que le réfrigérateur refroidisse complètement.
	Ceci est fréquent lorsqu'une grande quantité d'aliments a été placée dans le réfrigérateur et congélateur de grand volume.	C'est normal.
	La porte est restée ouverte.	Un paquet empêche peut-être la fermeture de la porte.
	Temps chaud ou ouverture fréquente des portes.	C'est normal.
	La température est réglée sur la température la plus basse.	Voir la section Commandes
Température trop élevée dans le congélateur ou le réfrigérateur	La température n'est pas réglée sur une température assez basse	Voir la section Commandes
	Temps chaud ou ouverture fréquente des portes.	Réglez la commande des températures sur une température plus basse. Consultez la section Commandes
	La porte est restée ouverte.	Un paquet empêche peut-être la fermeture de la porte.
Givre sur les aliments surgelés (il est normal que du givre se forme à l'intérieur du paquet)	La porte est restée ouverte.	Un paquet empêche peut-être la fermeture de la porte.
	Ouverture trop fréquente ou trop longue des portes.	C'est normal.
La séparation entre le réfrigérateur et le congélateur est chaude	Le système automatique d'économie d'énergie fait circuler du liquide tiède à l'avant du compartiment de congélation.	Ceci permet d'éviter des problèmes de condensation sur l'extérieur de l'appareil.
La machine à glaçons ne fonctionne pas	L'interrupteur d'alimentation de la machine à glaçons est à la position OFF (arrêt).	Réglez l'interrupteur d'alimentation à la position ON (marche).
	L'alimentation en eau est coupée ou n'est pas raccordée.	Voir la section Installation de la conduite d'eau
	Le compartiment congélateur est trop chaud.	Attendez 24 heures pour que la température du réfrigérateur se stabilise.
	Un amas de glaçons dans le bac provoque l'arrêt de la machine à glaçons.	Nivelez les glaçons à la main.
	Cubes de glace sont coincés dans le distributeur.	Débranchez le distributeur, enlevez les cubes et rebranchez le distributeur.
Le congélateur refroidit, mais pas le compartiment réfrigérateur	Normal, lorsque le réfrigérateur est branché la première fois ou suite à une panne prolongée.	Attendez 24 heures pour atteindre la température sélectionnée dans les deux compartiments.
La machine à glaçons s'ouvre après la fermeture du tiroir du congélateur (certains modèles)	C'est normal	Le distributeur de glaçons peut s'ouvrir après la fermeture de la porte du congélateur pour permettre l'accès.
Odeur/saveur anormale des glaçons	Il faut nettoyer le bac à glaçons.	Videz et lavez le bac à glaçons. Jetez les vieux glaçons.
	Des aliments ont transmis leur odeur/goût aux glaçons.	Emballez bien les aliments.
	Il faut nettoyer l'intérieur du réfrigérateur.	Voir la section Entretien et nettoyage

# Conseils de dépannage... Avant d'appeler un réparateur

Problème	Causes possibles	Que faire
Petits glaçons ou glaçons creux à l'intérieur	Le filtre à eau est bouché.	Remplacez le filtre à cartouche par un neuf ou par le bouchon.
Formation lente des glaçons	La porte est restée ouverte.	Vérifiez si l'emballage garde la porte ouverte.
	La commande de température du congélateur n'est pas réglée à une température assez froide.	Voyez la section Commandes.
Bourdonnement fréquent	Le commutateur de marche de la machine à glaçons est dans la position I (marche), mais l'arrivée d'eau au réfrigérateur n'a pas été raccordée.	Réglez le commutateur de marche sur la position 0 (arrêt), car le garder dans la position I (marche) endommagera le robinet d'eau.
Lueur orange dans le congélateur	Le cycle de dégivrage est en cours.	C'est normal.
Mauvais goût/odeur de l'eau	Le distributeur d'eau n'a pas été utilisé depuis longtemps.	Faites couler l'eau jusqu'à ce que l'eau du système soit remplacée par de l'eau fraîche.
L'eau versée dans le premier verre est chaude	Normal lorsque le réfrigérateur est initialement installé.	Attendez 24 heures pour que la température du réfrigérateur se stabilise.
	Le distributeur d'eau n'a pas été utilisé depuis longtemps.	Faites couler l'eau jusqu'à ce que l'eau du système soit remplacée par de l'eau fraîche.
	Le réservoir d'eau vient d'être vidangé.	Attendez plusieurs heures pour que l'eau refroidisse.
Le distributeur d'eau ne fonctionne pas	L'alimentation en eau est coupée ou n'est pas raccordée.	Voyez la section Installer la conduite d'eau.
	Le filtre à eau est bouché.	Remplacez le filtre à cartouche ou retirez le filtre et installez le bouchon.
	Il y a de l'air dans la conduite d'eau.	Appuyez sur le bras gicleur durant au moins deux minutes.
	Distributeur est VERROUILLÉ.	Appuyez et maintenez enfoncée la touche LOCK (verrouillage) pendant 3 secondes.
L'eau jaillit du distributeur	La cartouche du filtre vient d'être installée.	Faites couler l'eau du distributeur pendant 3 minutes (environ 6 litres).
La machine à glaçons fonctionne, mais ne distribue pas d'eau	L'eau du réservoir est gelée.	Appelez un réparateur.
	Le réglage de commande est trop froid.	Réglez le commande de température sur un réglage plus chaud.
Pas de production d'eau ou de glace	La conduite d'eau ou le robinet d'arrêt est bouché.	Appelez un plombier.
	Le filtre à eau est bouché.	Remplacez la cartouche du filtre avec une nouvelle cartouche ou installez le bouchon du filtre.
Odeur dans le réfrigérateur	Des aliments ont transmis leur odeur au réfrigérateur.	Les aliments à odeur forte doivent être emballés hermétiquement. Gardez une boîte ouverte de bicarbonate de soude dans le réfrigérateur.
	Il faut nettoyer l'intérieur.	Voir la section Entretien et nettoyage
De la condensation s'accumule à l'extérieur	Cela n'est pas inhabituel pendant les périodes de forte humidité.	Essayez bien la surface extérieure.
De la condensation s'accumule à l'intérieur (par temps humide, l'ouverture des portes laisse entrer de l'humidité)	Les portes sont ouvertes trop fréquemment ou pendant trop longtemps.	C'est normal.
	Étant donné le taux d'humidité plus élevé dans le compartiment du réfrigérateur, il est possible d'y déceler la présence de brouillard ou de petites quantités de buée de temps à autre.	Ce phénomène est normal et son apparition sera fonction des variations de la charge d'aliments et des conditions ambiantes. Sécher à l'aide d'un essuie-toutsi désiré.
L'éclairage intérieur ne fonctionne pas	Il n'y a pas de courant au niveau	Remplacez le fusible ou réenclenchez le disjoncteur.
	Pour les lampes DEL	Joindre le service à la clientèle - voir Remplacement des lampes.

## Conseils de dépannage... Avant d'appeler un réparateur

Économisez du temps et de l'argent! Consultez d'abord les tableaux qui suivent et vous pourrez peut-être éviter de faire appel à un réparateur.

Problème	Causes possibles	Que faire
Air chaud à la base du réfrigérateur	Courant d'air normal provenant du moteur. Pendant le processus de réfrigération, il est normal que de la chaleur soit expulsée à la base du réfrigérateur. Certains revêtements de sol sont sensibles et peuvent se décolorer sous l'effet de cette température de fonctionnement normale qui est sans danger.	C'est normal.
Le réfrigérateur ne s'arrête jamais mais les températures sont normales	La fonction de dégivrage maintient le compresseur en marche au cours de l'ouverture des portes.	Ceci est normal. Le réfrigérateur passe sur cycle d'arrêt lorsque les portes ont été fermées pendant 2 heures.
Le réfrigérateur émet un signal sonore.	La porte est ouverte.	Fermez la porte.
La porte ne se ferme pas correctement.	Le joint de la porte du côté des charnières est collé ou replié.	Mettre une couche de cire de paraffine sur le joint de la porte.
La température présente n'est pas égale à celle affichée	L'appareil vient d'être branché.	Pour stabiliser le système, laissez 24 heures s'écouler.
	La porte est restée ouverte trop longtemps.	Pour stabiliser le système, laissez 24 heures s'écouler.
	Des aliments chauds ont été placés dans le réfrigérateur.	Pour stabiliser le système, laissez 24 heures s'écouler.
	Cycle de dégivrage en cours.	Pour stabiliser le système, laissez 24 heures s'écouler.
La porte/le tiroir ne ferme pas seul	Vous devez ajuster les jambes de nivellement.	Voir la Mettre le réfrigérateur de niveau.
La porte/le tiroir du compartiment congélation s'ouvre quand la porte du réfrigérateur est fermée	C'est normal si, après s'être ouvert, la porte/le tiroir du compartiment congélation se referme tout seul.	Cela indique que la porte/le tiroir du compartiment congélation a un bon joint. Si la porte/le tiroir du compartiment congélation ne se referme pas automatiquement après s'être ouvert, consultez la section <b>Problème</b> : La porte/le tiroir ne ferme pas seul, ci-dessus
Les aliments gèlent dans le compartiment réfrigération	Les aliments sont trop près de l'ouverture de circulation d'air à l'arrière du compartiment réfrigération.	Éloignez les aliments de l'ouverture de circulation d'air.
	Le réglage de votre réfrigérateur est trop froid.	Réglez votre réfrigérateur à une température plus chaude en sélectionnant une graduation à la fois.
L'eau coule du distributeur	Vous ne tenez pas le verre sous le distributeur suffisamment longtemps après avoir relâché le bouton.	Tenez le verre sous le distributeur pendant 2-3 secondes après avoir relâché le bouton du distributeur. L'eau peut continuer à couler après que vous ayez relâché le bouton.
	De l'air peut se trouver dans les conduites d'eau, causant l'égouttement après une distribution d'eau.	Faites écouler l'eau pendant au moins 2 minutes pour expulser l'air du système.
Mon écran indique tc	La fonction TurboCool est active.	Consultez la section Commandes
Le voyant lumineux du filtre d'eau a changé de couleur	C'est normal.	Consultez la section Filtre d'eau à cartouche - XWF
Le voyant lumineux de filtre d'eau demeure rouge après un remplacement du filtre d'eau	Il faut remettre à zéro l'indicateur de filtre d'eau.	Appuyez sur la touche WATER FILTER ( filtre d'eau) et tenez-la appuyée pendant 3 secondes. Consultez la section Filtre d'eau à cartouche - XWF
Le voyant lumineux de filtre d'eau ne s'allume pas	C'est normal. Vous devez replacer le filtre quand le voyant indicateur de remplacement du filtre devient rouge.	Consultez la section Filtre d'eau à cartouche - XWF
La poignée est lâche/ Il y a un espace vide pour la poignée	Vous devez ajuster la poignée de porte.	Consultez les sections Fixez la poignée du compartiment aliments frais et Fixez la poignée du compartiment congélation pour des instructions détaillées.
Les portes ne sont pas bien alignées (Uniquement sur les modèles à deux portes)	Il faut réaligner les portes.	Consultez la section Mettre les portes du réfrigérateur de niveau.
Les paniers se coincent lors de l'ouverture ou de la fermeture	Les paniers sont trop remplis.	<b>Pour ouvrir</b> : Enlevez certains produits du panier, lorsque celui-ci est ouvert aussi loin que possible. Repositionnez les produits laissés dans le panier et essayez de l'ouvrir à nouveau. <b>Pour fermer</b> : Repositionnez les produits dans le panier et enlevez tout produit placé au-dessus du bord du panier, puis fermez-le.



# GE Appliances Garantie du Réfrigérateur

GARANTIE

electromenagersge.ca

Toutes les réparations en vertu de la garantie sont fournis par nos Centre de Service d'Usine ou par un technicien autorisé Customer Care®. Pour prévoir une réparation, consultez notre site [electromenagersge.ca/fr/soutien/demande-de-service](http://electromenagersge.ca/fr/soutien/demande-de-service) ou appelez le 800.561.3344. Veuillez avoir votre numéro de série et votre numéro de modèle à portée de main lorsque vous appelez pour obtenir un service.

Pour le diagnostic, la réparation de votre réfrigérateur peut nécessiter l'utilisation du port de données embarqué. Celui-ci permet au technicien de réparation GE Appliances de diagnostiquer rapidement des problèmes avec votre appareil. Il permet également à GE Appliances d'améliorer ses produits en fournissant à ces derniers des informations sur votre appareil. Si vous ne voulez pas que les données de votre appareil soient envoyées à GE Appliances, veuillez demander à votre technicien de NE PAS soumettre les données à GE Appliances pendant la réparation.

Pendant la période de garantie de :	GE Appliances remplacera :
<b>Un An</b> A compter de la date d'achat initial	<b>Toute pièce</b> du réfrigérateur qui s'avère défectueuse en raison d'un défaut de matériau ou de fabrication. Pendant la validité de la <b>présente garantie limitée</b> d'un an, GE Appliances fournira également gratuitement la main d'œuvre et le service pour réparer la pièce défectueuse.
<b>Trente jours</b> (filtre à eau, si inclus) A compter de la date d'achat initial	<b>Toute pièce</b> de la cartouche filtrante qui ne fonctionne pas à cause d'un vice de matériau ou de main d'œuvre. Pendant la validité de la <b>présente garantie limitée de 30 jours</b> , GE Appliances fournira gratuitement une cartouche filtrante de remplacement.
<b>SEULEMENT MODÈLES GE PROFILE™ ET CAFÉ™</b>	
<b>Cinq Ans</b> A compter de la date d'achat	<b>Toute pièce</b> du système fermé du réfrigérateur (compresseur, condenseur, évaporateur et tous les tuyaux de raccordement) qui s'avère défectueuse en raison d'un défaut de matériau ou de fabrication. Pendant la validité de la <b>présente garantie limitée de cinq ans</b> , GE Appliances fournira également gratuitement la main d'œuvre et le service pour réparer la pièce défectueuse dans le système fermé du réfrigérateur.

## Ce qui n'est pas couvert par GE Appliances :

- Les déplacements à votre domicile pour vous expliquer l'utilisation de ce produit
- Une installation, livraison ou maintenance défectueuse.
- Une panne du produit par abus d'utilisation, par mauvaise utilisation, par modification ou s'il a été utilisé dans un but autre que celui pour lequel il a été fabriqué.
- Détérioration des aliments.
- Le remplacement des fusibles ou le réenclenchement du disjoncteur du domicile.
- Les dommages à la finition, tels que rouille de surface, ternissement ou petites taches, non signalés dans un délai de 48 heures suivant la livraison.
- Le remplacement de la cartouche filtrante, si incluse, à cause d'une pression d'eau en dehors de la gamme de fonctionnement recommandée ou à cause d'une concentration excessive de sédiments dans l'eau d'alimentation.
- Le remplacement des ampoules, si incluses, ou la cartouche filtrante, si incluse, et dans des conditions autres que celles susmentionnées.
- Tout dommage causé par accident, incendie, inondation ou une catastrophe naturelle.
- Tout dommage fortuit ou indirect causé par des défauts éventuels de cet appareil.
- Le service s'il est impossible d'avoir accès au produit.
- Dommages causés par l'utilisation d'un filtre qui n'est pas de marque GE Appliances.

## EXCLUSION DES GARANTIES TACITES

Votre recours exclusif est l'échange du produit suivant les modalités de la Garantie Limitée. Toutes garanties tacites, y compris les garanties de valeurs marchandes ou d'adéquation à des fins particulières, sont limitées à une durée d'un an ou à la durée la plus courte autorisée par la loi.

**Pour les clients des États-Unis :** Cette garantie est étendue à l'acheteur d'origine et aux propriétaires suivants pour tout produit acheté pour une utilisation domestique aux États-Unis. Si le produit est installé dans une région où ne se trouve aucun réparateur autorisé GE Appliances, vous devrez peut-être assumer les frais de transport ou apporter l'appareil à un centre de service autorisé GE Appliances. En Alaska, cette garantie exclut le coût d'expédition ou de dépannage à votre domicile.

Certains états n'acceptent pas d'exclusion ou de limites aux dommages indirects consécutifs. Certains droits particuliers vous sont dévolus en vertu de la présente garantie et peuvent s'accompagner d'autres droits qui varient selon votre lieu de résidence. Pour connaître vos droits juridiques, veuillez consulter le bureau local ou le bureau d'état des affaires aux consommateurs ou le Procureur Général de votre état.

**Garant : États-Unis : GE Appliances, a Haier company**

**Pour les consommateurs canadiens :** Cette garantie est étendue à l'acheteur d'origine et aux propriétaires suivants pour tout produit acheté aux Canada pour une utilisation domestique aux Canada. Le service à domicile en vertu de la garantie sera fourni dans les régions où il est disponible et où Mabe estime raisonnable de le fournir. Si le produit est situé dans une région où un centre de service autorisé de MC Commercial Inc n'est pas disponible, vous pourrez être responsable de payer des frais de déplacement supplémentaires ou d'apporter votre produit à un centre de service autorisé de MC Commercial Inc pour la réparation.

**Garant Canada: MC Commercial Inc., Burlington, Ontario, L7R 5B6**

Pour bénéficier du service de réparation sous garantie, une preuve de la date d'achat initial est nécessaire.

# Certificat de garantie de la cartouche XWF du filtre à eau

Communiquez avec nous sur [Electromenagersge.ca/fr/produits/filtres-et-accessoires](http://Electromenagersge.ca/fr/produits/filtres-et-accessoires), or ou appelez le 800.561.3344

<b>Pendant la période de garantie de :</b>	<b>Nous remplacerons gratuitement :</b>
<b>Trente jours</b> A compter de la date d'achat initial	<b>Toute pièce</b> de la cartouche filtrante qui s'avère défectueuse en raison d'un défaut de matériau ou de fabrication pendant cette <b>période de garantie de trente jours.*</b>

## Ce qui n'est pas couvert :

- Les déplacements à votre domicile pour vous expliquer l'utilisation de ce produit.
- Une installation incorrecte.
- Une panne du produit par abus d'utilisation, par mauvaise utilisation, par modification ou s'il a été utilisé dans un but autre que celui pour lequel il a été fabriqué, ou s'il a été utilisé à des fins commerciales.
- Le remplacement des fusibles ou le réenclenchement du disjoncteur du domicile.
- Le remplacement de la cartouche filtrante à cause d'une pression d'eau en dehors de la gamme de fonctionnement recommandée ou à cause d'une concentration excessive de sédiments dans l'eau d'alimentation.
- Tout dommage causé par accident, incendie, inondation ou catastrophe naturelle.
- Tout dommage fortuit ou indirect causé par des défauts éventuels de cet appareil.

## EXCLUSION DES GARANTIES TACITES :

Votre recours exclusif est l'échange du produit suivant les modalités de la Garantie Limitée. Toutes garanties tacites, y compris les garanties de valeurs marchandes ou d'adéquation à des fins particulières, sont limitées à une durée de six mois ou à la durée la plus courte autorisée par la loi.

Cette garantie est étendue à l'acheteur d'origine et aux propriétaires suivants pour tout produit acheté pour une utilisation domestique aux Etats-Unis. En Alaska, cette garantie exclut le coût d'expédition ou de dépannage à votre domicile.

Certains états n'acceptent pas d'exclusion ou de limites aux dommages indirects consécutifs. Certains droits particuliers vous sont dévolus en vertu de la présente garantie et peuvent s'accompagner d'autres droits qui varient d'un état à un autre. Pour connaître vos droits, veuillez consulter votre bureau local ou le bureau d'état des affaires aux consommateurs ou le Procureur Général de votre état.

**Pour les achats effectués en Iowa :** Ce formulaire doit être signé et daté par l'acheteur et le vendeur avant la réalisation de cette vente.

Ce formulaire doit être conservé au dossier par le vendeur pendant une période minimale de deux ans.

## Acheteur :

Nom \_\_\_\_\_  
Adresse \_\_\_\_\_  
Ville \_\_\_\_\_ État \_\_\_\_\_ Code postal \_\_\_\_\_  
Signature \_\_\_\_\_ Date \_\_\_\_\_

## Vendeur :

Nom \_\_\_\_\_  
Adresse \_\_\_\_\_  
Ville \_\_\_\_\_ État \_\_\_\_\_ Code postal \_\_\_\_\_  
Signature \_\_\_\_\_ Date \_\_\_\_\_

\* Si votre pièce GE s'avère défectueuse en raison d'un défaut de fabrication dans les trente jours à compter de la date d'achat initiale, nous vous fournirons gratuitement une nouvelle pièce, ou, à notre gré, une pièce reconstruite. Renvoyez la pièce défectueuse au fournisseur de pièces auprès duquel cette pièce a été achetée avec une copie de la preuve d'achat de la pièce. Si la pièce est défectueuse et n'indique aucun signe d'une utilisation abusive, celle-ci sera échangée. La garantie ne couvre pas la défaillance de pièces qui sont endommagées en votre possession, sont utilisées de façon abusive ou ont été mal installées. Elle ne couvre pas les frais de retour de la pièce au fournisseur auprès duquel elle a été achetée. Elle ne couvre pas non plus le coût de main d'oeuvre pour retirer ou installer cette pièce pour diagnostiquer la panne. Elle ne couvre pas les pièces utilisées dans les produits à usage commercial, sauf dans le cas des équipements de climatisation. En aucun cas, GE ne peut être tenu responsable des dommages indirects.

Garant : GE Appliances, a **Haier** company

Pour bénéficier du service de réparation sous garantie, une preuve de la date d'achat initial est nécessaire.



# Fiche technique de performance

## Modèle : GE Appliances XWF

- Système certifié par l'IAPMO R&T en vertu des normes 42, 53, 401 de la NSF/ANSI relatives à la réduction des allégations spécifiées sur la fiche technique de rendement et le site [iapmort.org](http://iapmort.org).
- Le rendement réel peut varier selon les conditions locales de l'eau.

Substance testé e pour réduction	Concentration d'essai de l'influent (mg/L)	Concentration max. admissible dans l'eau du produit (mg/L)	Réduction moy. (%)
Goût et odeur chlore	2.0 mg/L +/- 10%	N/A	96.9
Goût et odeur chloramine	3.0 mg/L +/- 10%	0.5	96.9
Particules, Classe I	Au moins 10 000/mL	N/A	91.4
Oocystes	50,000/L	N/A	>99.99
Plomb	0.15	0.01	98.85
Mercure	0.006	0.002	96.3
Amiante	107 à 108 fibres/L	N/A	>99
Toxaphène	0.015 +/- 10%	0.003	86.95
SCC (substitut de chloroforme C	0.300	0.015	99.7
Alachlore	0.050	0.001	> 98
Atrazine	0.100	0.003	> 97
Benzène	0.081	0.001	> 99
Carbofuran	0.190	0.001	> 99
tétrachlorure de carbone	0.078	0.0018	98
chlorobenzène	0.077	0.001	> 99
chloropicrine	0.015	0.0002	99
2, 4-D	0.110	0.0017	98
dibromochloropropane (DBCP)	0.052	0.00002	> 99
o-Dichlorobenzène	0.08	0.001	> 99
p-Dichlorobenzène	0.040	0.001	> 98
1,2-dichloroéthane	0.088	0.0048	95
1,1-dichloroéthylène	0.083	0.001	> 99
cis-1,2-dichloroéthylène	0.170	0.0005	> 99
trans-1,2-dichloroéthylène	0.086	0.001	> 99
1,2-dichloropropane	0.080	0.001	> 99
cis-1,3-dichloropropylène	0.079	0.001	> 99
dinosébe	0.170	0.0002	99
Endrine	0.053	0.00059	99
Éthylbenzène	0.088	0.001	> 99
éthylène dibromide (EDB)	0.044	0.00002	> 99
bromochloroacétonitrile	0.022	0.0005	98
dibromoacétonitrile	0.024	0.0006	98
dichloroacétonitrile	0.0096	0.0002	98
trichloroacétonitrile	0.015	0.0003	98
1,1-dichloro-2-propanone	0.0072	0.0001	99
1,1,1-trichloro-2-propanone	0.0082	0.0003	96
heptachlore (H-34, Heptox)	0.025	0.00001	>99
heptachloreépoxide	0.0107	0.0002	98
hexachlorobutadiène	0.044	0.001	> 98
hexachlorocyclopentadiène	0.060	0.000002	> 99
Lindane	0.055	0.00001	> 99
méthoxychlore	0.050	0.0001	> 99
pentachlorophénole	0.096	0.001	> 99
simazine	0.120	0.004	> 97
Styrène	0.150	0.0005	> 99
1,1,2,2-tétrachloroéthane	0.081	0.001	> 99
Tétrachloroéthylène	0.081	0.001	> 99
Toluène	0.078	0.001	> 99
2,4,5-TP (silvex)	0.270	0.0016	99
Acide tribromoacétique	0.042	0.001	> 98
1,2,4-Trichlorobenzène	0.160	0.0005	> 99
1,1,1-trichloroéthane	0.084	0.0046	95
1,1,2-trichloroéthane	0.150	0.0005	> 99
trichloroéthylène	0.180	0.0010	> 99
bromoforme	0.300	0.015	95
bromodichlorométhane	0.300	0.015	95
chlorodibromométhane	0.300	0.015	95
xylènes	0.070	0.001	>99
Méprobamate	400 +/- 20%	60	95.5
Aténolol	200 +/- 20%	30	95.9
Carbamazépine	1400 +/- 20%	200	98.6
diéthyltoluamide (DEET)	1400 +/- 20%	200	98.6
Métolachlore	1400 +/- 20%	200	98.7
Triméthoprim	140 +/- 20%	20	96.1
Linuron	140 +/- 20%	20	96.6
TCEP	5000 +/- 20%	700	98.1
TCCP	5000 +/- 20%	700	98.1
Phénytoïne	200 +/- 20%	30	96
Ibuprofène	400 +/- 20%	60	95.9
Naproxène	140 +/- 20%	20	96.5
Estrone	140 +/- 20%	20	97.1
Bisphénol A	2000 +/- 20%	300	99.1
Nonylphénol	1400 +/- 20%	200	97.3

### Conditions d'application/Paramètres d'alimentation d'eau

Débit de service	0,5 gal./min. (1,89 l/min.)
Alimentation d'eau	Eau potable
Pression d'eau	25-120 psi (172-827 kPa)
Température de l'eau	33°F-100°F (0.6°C-38°C)
Capacité	170 gallons (643,5 liters)

Le rendement du produit sera conforme à ce qui est promis à condition que l'installation, l'entretien et le remplacement du filtre s'effectuent selon les recommandations du fabricant.

**Remarque :** Bien que les tests aient été réalisés dans des conditions de laboratoire, les tests aient été réalisés dans des conditions de laboratoire.

Cartouche de rechange : XWF. Pour une estimation du coût des pièces de rechange, veuillez composer le 1-800-661-1616 ou visitez notre site Web [Electromenagersge.ca/fr/produits/filtres-et-accessoires](http://Electromenagersge.ca/fr/produits/filtres-et-accessoires).

### ⚠ AVERTISSEMENT Pour réduire le risque associé à l'ingestion de contaminants :

- N'utilisez pas l'appareil avec de l'eau d'une qualité incertaine ou non potable sur le plan microbiologique sans une désinfection en amont et en aval du système. Les systèmes homologués relativement à la réduction d'oocystes peuvent être utilisés avec de l'eau désinfectée pouvant contenir des oocystes filtrables.

### AVIS

#### Pour réduire le risque de fuite ou d'inondation et pour garantir un rendement optimal du filtre :

- Lisez et observez les instructions d'utilisation avant l'installation et l'utilisation de ce système.
- L'installation et l'utilisation DOIVENT satisfaire tous les codes de plomberie locaux et nationaux.
- Ne procédez pas à l'installation si la pression d'eau excède 120 psi (827 kPa). Si votre pression d'eau excède 80 psi (552 kPa), vous devez poser une valve de limitation de pression. Faites appel à un plombier si vous avez des doutes sur la façon de mesurer votre pression d'eau.
- Ne procédez pas à l'installation si une condition de coup de bélier est susceptible de survenir. Si cette condition existe, vous devez poser un antibélier. Faites appel à un plombier si vous avez des doutes sur la manière d'identifier cette condition.
- Ne procédez pas à l'installation sur des conduites d'eau chaude. La température de service maximale de l'eau pour ce système de filtre est de 100 °F (38 °C).
- Protégez le filtre contre le gel. Drainez le filtre lorsque la température tombe sous 33 °F (0,6 °C).
- Remplacez la cartouche filtrante jetable tous les six mois, ou plus tôt si vous constatez une réduction appréciable du débit d'eau.
- L'omission de remplacer la cartouche filtrante jetable aux intervalles recommandés peut mener à une réduction du rendement du filtre et au fendillement du boîtier du filtre, entraînant ainsi des fuites ou l'inondation.
- Ce système a été mis à l'essai conformément aux normes 42, 53 et 401 de la NSF/ANSI relatives à la réduction des substances énumérées ci-dessous. La concentration des substances mentionnées dans l'eau entrant dans le système a été réduite à une valeur inférieure ou égale à la limite admissible pour l'eau quittant le système, tel que stipulé dans les normes 42, 53 et 401 de la NSF/ANSI.



Le système XWF est certifié par l'IAPMO R&T en vertu des normes 42, 53, 401 de la NSF/ANSI relatives à la réduction des allégations spécifiées sur la fiche technique de rendement et le site [iapmort.org](http://iapmort.org).

# Soutien au consommateur

---

## Site Web de GE Appliances

Vous avez une question ou vous avez besoin d'aide pour votre appareil électroménager? Visitez le site Web de GE Appliances 24 heures par jour, tous les jours de l'année! Vous pouvez aussi y trouver d'autres formidables produits GE Appliances et tirer avantage de tous nos services d'assistance en ligne. Aux États-Unis : [GEAppliances.com](http://GEAppliances.com)

Au Canada : [electromenagersGE.ca](http://electromenagersGE.ca)

---

## Enregistrez votre électroménager

Enregistrez votre nouvel appareil en ligne au moment qui vous convient le mieux! L'enregistrement de votre produit dans les délais prescrits permet une meilleure communication et un service rapide, selon les modalités de votre garantie, si besoin est. Vous pouvez également envoyer par courrier la carte d'enregistrement pré-imprimée qui se trouve dans l'emballage de votre appareil.

Aux États-Unis : [GEAppliances.com/register](http://GEAppliances.com/register)

Au Canada : [Prodsupport.mabe.ca/crm/Products/ProductRegistration.aspx](http://Prodsupport.mabe.ca/crm/Products/ProductRegistration.aspx)

---

## Service de réparation

Un service de réparation expert GE Appliances se trouve à quelques pas de chez vous. Rendez-vous sur notre site et programmez, à votre convenance, une visite de réparation à n'importe quel jour de l'année.

Aux États-Unis : [GEAppliances.com/service](http://GEAppliances.com/service) ou composez le 800.432.2737 durant les heures normales de bureau.

Au Canada : [Electromenagersge.ca/fr/soutien/demande-de-service](http://Electromenagersge.ca/fr/soutien/demande-de-service) ou composez le 800.561.3344

---

## Prolongation de garantie

Procurez-vous une prolongation de garantie GE Appliances et informez-vous des rabais spéciaux en vigueur pendant la durée de votre garantie. Vous pouvez vous la procurer en ligne en tout temps. Les services GE Appliances seront toujours disponibles après l'expiration de la garantie. Aux États-Unis :

[GEAppliances.com/extended-warranty](http://GEAppliances.com/extended-warranty) ou composez le 800.626.2224 durant les heures normales de bureau.

Au Canada : [Electromenagersge.ca/fr/soutien/achatd-une-garantie-prolongee](http://Electromenagersge.ca/fr/soutien/achatd-une-garantie-prolongee) ou composez le 800.290.9029

---

## Pièces et accessoires

Les personnes ayant les compétences requises pour réparer elles-mêmes leurs appareils peuvent recevoir directement à la maison des pièces ou accessoires (les cartes VISA, MasterCard et Discover sont acceptées). Commandez en ligne 24 heures par jour.

Aux États-Unis : [GEApplianceparts.com](http://GEApplianceparts.com) ou par téléphone au 877.959.8688 durant les heures normales de bureau.

**Les instructions contenues dans le présent manuel comportent des procédures que tout utilisateur peut effectuer. Les autres types de réparation doivent généralement être confiés à un technicien qualifié. Utilisez de prudence : une réparation ou un entretien mal effectués peuvent rendre l'utilisation de l'appareil dangereuse.**

Les consommateurs au Canada doivent consulter les pages jaunes pour connaître le distributeur autorisé de pièces de service GE Appliances le plus proche, visiter notre site Web au [Electromenagersge.ca/fr/produits/filtres-et-accessoires](http://Electromenagersge.ca/fr/produits/filtres-et-accessoires) ou composer le 1.800.661.1616.

---

## Communiquez avec nous

Si vous n'êtes pas satisfait du service après-vente de GE Appliances, communiquez avec nous depuis notre site Web en fournissant tous les détails dont votre numéro de téléphone, ou écrivez à :

Aux États-Unis : General Manager, Customer Relations | GE Appliances, Appliance Park | Louisville, KY 40225

[GEAppliances.com/contact](http://GEAppliances.com/contact)

Au Canada : Director, Consumer Relations, MC Commercial Inc. | Suite 310, 1 Factory Lane | Moncton, N.B. E1C 9M3

[Electromenagersge.ca/fr/contactez-nous](http://Electromenagersge.ca/fr/contactez-nous)

---



# Congelador Inferior REFRIGERADORES

**INSTRUCCIONES DE SEGURIDAD** ..... 3

**INSTRUCCIONES DE FUNCIONAMIENTO**

Funciones ..... 6  
 Controles ..... 9  
 Dispensador\* ..... 13  
 Filtro de Agua ..... 10  
 Estantes y Recipientes ..... 11  
 Cajones ..... 12  
 Cajón del congelador\* ..... 13  
 Compartimiento del congelador .... 14  
 Fabrica de hielo Automática ..... 15

**CUIDADO Y LIMPIEZA** ..... 16  
 Reemplazo de las Luces ..... 17

**INSTRUCCIONES DE INSTALACIÓN**

Preparación para Instalar el Refrigerador ..... 18  
 Dimensiones del Electrodoméstico.. 19  
 Instalación del Refrigerador ..... 20  
 Instalación del Suministro de Agua ..... 34

**CONSEJOS PARA LA SOLUCIÓN DE PROBLEMAS** ..... 37

Condiciones de Funcionamiento Normal ..... 37

**GARANTÍA** ..... 42

**CONSUMER SUPPORT**

Filtro de Agua XWF ..... 43  
 Ficha Técnica de Rendimiento ..... 44  
 Soporte al Cliente ..... 46

\*Modelos Selectos Únicamente

Escriba los números de modelo y de serie aquí:

Nº de Modelo \_\_\_\_\_

Nº de Serie \_\_\_\_\_

Busque estos números en una etiqueta del lado izquierdo, cerca de la parte intermedia del compartimiento del refrigerador.

**MANUAL DEL PROPIETARIO E INSTRUCCIONES DE INSTALACIÓN**

Modelos GE, GE Profile y GE Café 18, 19, 21, 24, 25, 26 y 27 cuft

**ESPAÑOL**

## **GRACIAS POR HACER QUE GE APPLIANCES SEA PARTE DE SU HOGAR.**

---

Ya sea que haya crecido usando GE Appliances, o que ésta es su primera vez, nos complace tenerlo en la familia.

Sentimos orgullo por el nivel de arte, innovación y diseño de cada uno de los electrodomésticos de GE Appliances, y creemos que usted también. Entre otras cosas, el registro de su electrodoméstico asegura que podamos entregarle información importante del producto y detalles de la garantía cuando los necesite.

Registre su electrodoméstico GE ahora a través de Internet. Sitios Web y números telefónicos útiles están disponibles en la sección de Soporte para el Consumidor de este Manual del Propietario.

También puede enviar una carta en la tarjeta de inscripción preimpresa que se incluye con el material embalado.



**GE APPLIANCES**



# INFORMACIÓN IMPORTANTE DE SEGURIDAD

## LEA TODAS LAS INSTRUCCIONES ANTES DE USAR

### ⚠ ADVERTENCIA

A fin de reducir el riesgo de incendio, explosión, descargas eléctricas o lesiones al usar su refrigerador, siga estas precauciones básicas de seguridad:

- Este refrigerador se deberá instalar y ubicar adecuadamente de acuerdo con las Instrucciones de Instalación antes de ser usado.
- Desenchufe el refrigerador antes de hacer reparaciones o hacer una limpieza.
 

**Nota:** La corriente que va al refrigerador no puede ser desconectada por ninguna configuración del panel de control.

**Nota:** Las reparaciones deberán ser realizadas por un Profesional del Servicio Técnico calificado.
- Reemplace todas las piezas y paneles antes del uso.
- No use extensiones eléctricas para conectar su aparato.
- No guarde ni use gasolina u otros vapores y líquidos inflamables cerca de este ni de otro electrodoméstico.
- No guarde sustancias explosivas tales como latas de aerosoles con propelentes inflamables en este electrodoméstico.
- A fin de evitar riesgos de que los niños queden atrapados y sufran asfixia, retire las puertas de alimentos frescos y del congelador de cualquier refrigerador antes de deshacerse o dejar de usar el mismo.
- Los niños y las personas con capacidad física, sensorial o mental reducida o con falta de experiencia y conocimiento podrán usar este electrodoméstico sólo si son supervisados o les fueron dadas instrucciones sobre un uso seguro y entienden los riesgos involucrados.
- Este electrodoméstico fue diseñado para uso hogareño y para aplicaciones similares tales como: áreas de personal de cocina en tiendas, oficinas y otros espacios laborales; casas de campo; por clientes en hoteles, moteles, hostales y otros espacios residenciales, servicio de comidas.
- Realice la conexión a un suministro de agua potable únicamente. Se requiere un suministro de agua fría para el funcionamiento de la máquina de hielos automática. La presión del agua deberá estar entre 40 y 120 psi (275-827 kilopascales)..

### ADVERTENCIAS DE LA PROPOSICIÓN 65 DEL ESTADO DE CALIFORNIA

#### ⚠ ADVERTENCIA

Este producto contiene uno o más químicos que el Estado de California entiende que producen cáncer y defectos en el nacimiento u otros daños reproductivos.

### ⚠ PRECAUCIÓN

A fin de reducir el riesgo de lesiones al usar el refrigerador, siga estas precauciones básicas.

- No limpie estantes de vidrio ni tapas con agua caliente cuando estén fríos. Los estantes de vidrio y las tapas se pueden romper si son expuestos a cambios de temperatura repentinos o impactos, tales como golpes o caídas. El vidrio templado está diseñado para destruirse en pequeñas piezas en caso de rotura.
- Mantenga los dedos fuera de los espacios de "riesgo de lesión"; los espacios entre las puertas y entre las puertas y el gabinete son necesariamente pequeños. Tenga el cuidado de cerrar las puertas cuando los niños se encuentren en el área.
- No toque las superficies frías del compartimiento del congelador cuando las manos estén húmedas o mojadas, ya que la piel se podrá adherir a estas superficies extremadamente frías.
- No vuelva a congelar comidas que hayan estado totalmente congeladas en forma previa.
- En refrigeradores con máquinas de hacer hielo automáticas, evite el contacto con las partes móviles del mecanismo eyector o con el elemento de calefacción que libera los cubos. No coloque los dedos ni las manos en el mecanismo de la máquina de hielo automática mientras el refrigerador esté enchufado.
- Use un vaso robusto al dispensar hielo (en modelos con dispensador de hielo).

### ADVERTENCIAS DE LA PROPOSICIÓN 65 DEL ESTADO DE CALIFORNIA

#### ⚠ ADVERTENCIA

Este producto contiene uno o más químicos que el Estado de California entiende que producen cáncer y defectos en el nacimiento u otros daños reproductivos.

## INSTALACIÓN

### ⚠ ADVERTENCIA



#### RIESGO DE EXPLOSIÓN

Mantenga cualquier material y vapores inflamables, tales como gasolina, alejados del refrigerador. Si no se cumple con esto se podrá producir una explosión, incendio o la muerte.

# LEA Y GUARDE ESTAS INSTRUCCIONES

# INFORMACIÓN IMPORTANTE DE SEGURIDAD LEA TODAS LAS INSTRUCCIONES ANTES DE USAR

## CONEXIÓN DE LA ELECTRICIDAD

### ⚠️ ADVERTENCIA



### RIESGO DE DESCARGA ELÉCTRICA

- Enchufe en un tomacorriente con conexión a tierra de 3 cables.
- No elimine el cable de conexión a tierra.
- No use un adaptador.
- No use extensión eléctrica.
- Si no se siguen estas instrucciones se podrá producir a muerte, incendios o descargas eléctricas.

**Nunca, bajo ninguna circunstancia, corte o elimine el tercer cable (tierra) del cable de corriente. Para su seguridad personal, este electrodoméstico debe estar adecuadamente conectado a tierra.**

El cable de corriente de este electrodoméstico contiene un enchufe de 3 cables (conexión a tierra) que se conecta a un tomacorriente de pared estándar de 3 cables (conexión a tierra) para minimizar la posibilidad de riesgos de descargas eléctricas por parte del mismo.

Contrate a un electricista calificado para que controle el tomacorriente y el circuito eléctrico, a fin de asegurar que el enchufe esté correctamente conectado a tierra.

En caso de contar con un tomacorriente de pared de 2 cables, es su responsabilidad y obligación reemplazarlo por un tomacorriente de pared de 3 cables correctamente conectado a tierra. No use un adaptador.

El refrigerador debería estar siempre conectado a un enchufe específico con un índice de voltaje equivalente al que figura en su etiqueta de características técnicas.

Se requiere un suministro eléctrico con fusible y conexión a tierra de 115 voltios de CA, 60 Hz, 15 o 20 amperes. Esto garantiza el mejor funcionamiento y además previene la sobrecarga de los circuitos del hogar, lo cual podría ocasionar riesgos de incendio debido al recalentamiento de cables.

Nunca desenchufe el refrigerador tirando del cable de corriente. Siempre tome su enchufe firmemente y empuje el mismo hacia afuera para retirarlo.

Repáre o reemplace de inmediato todos los cables de corriente pelados o con cualquier tipo de daño. No use un cable con cortaduras o abrasión sobre su extensión o extremos.

Al alejar el refrigerador de la pared, se deberá tener cuidado de que no ruede sobre ni dañe el cable de corriente.

### ⚠️ ADVERTENCIA

### PELIGRO DE ATRAPADOS Y ASFIXIA

El incumplimiento de estas instrucciones de eliminación puede causar la muerte o lesiones graves.

**IMPORTANTE:** Que un niño quede atrapado o que sufra una asfixia no son problemas del pasado. Los refrigeradores antiguos o abandonados aún son peligrosos, incluso aunque se conserven por "sólo unos pocos días". Si se deshará de su antiguo refrigerador, siga las siguientes instrucciones a fin de evitar accidentes.

#### Antes de Descartar su Antiguo Aparato:

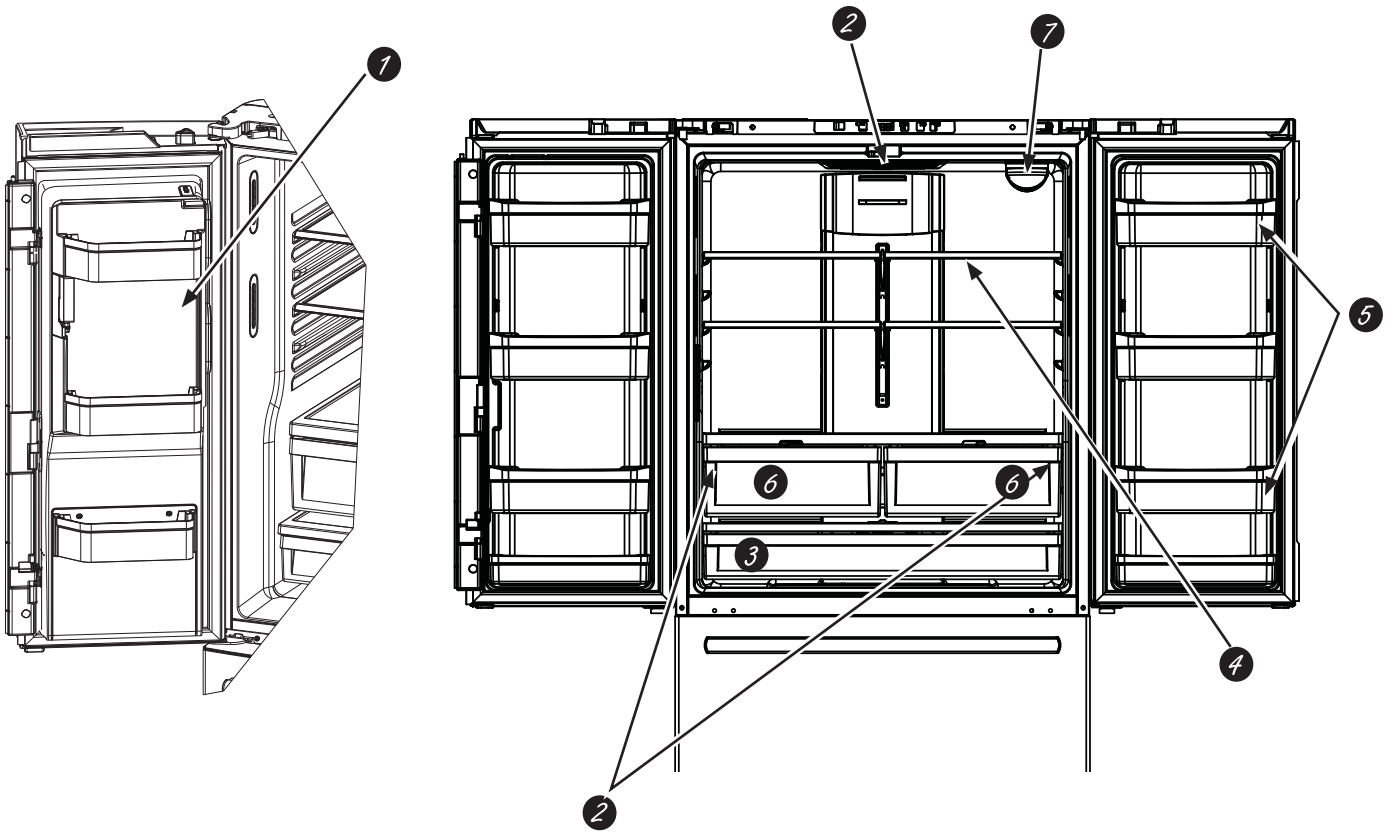
- Retire las puertas de alimentos frescos y del congelador.
- Deje los estantes en su lugar de modo que los niños no puedan trepar dentro con facilidad.

#### Cómo Eliminar Refrigerantes y Espuma Aislante:

Descarte el electrodoméstico de acuerdo con las Regulaciones Federales y Locales. El material aislante inflamable usado requiere procedimientos de descarte especiales. Comuníquese con las autoridades locales para descartar su electrodoméstico de forma ambientalmente segura.

# LEA Y GUARDE ESTAS INSTRUCCIONES

## Modelos de Puerta Francesa



**1 Máquina de hielos con ahorro de espacio (en algunos modelos)**

La máquina de hielos y el anaquel están ubicados en la puerta, creando un espacio de almacenamiento con mayor uso.

**2 Iluminación LED**

Las luces LED del compartimento de refrigerador están ubicadas en la parte central superior y los costados izquierdo y derecho sobre las cajones del área con clima regulado. Las luces LED también están ubicadas en el congelador; consulte las páginas 13 y 14.

**3 Cajón con ancho completo**

El cajón con ancho completo, donde se pueden colocar productos más grandes, está ubicado en la parte inferior del compartimento de refrigerador

**4 Estante QuickSpace™ (en algunos modelos)**

Funciona como una repisa normal de tamaño completo cuando lo necesite y se desliza fácilmente hacia adentro para guardar artículos altos en la parte inferior.

**5 Anaqueles para puertas desmontables/ajustables**

Se puede mover hacia arriba o abajo de acuerdo a sus necesidades.

**6 Cajones con clima regulado**

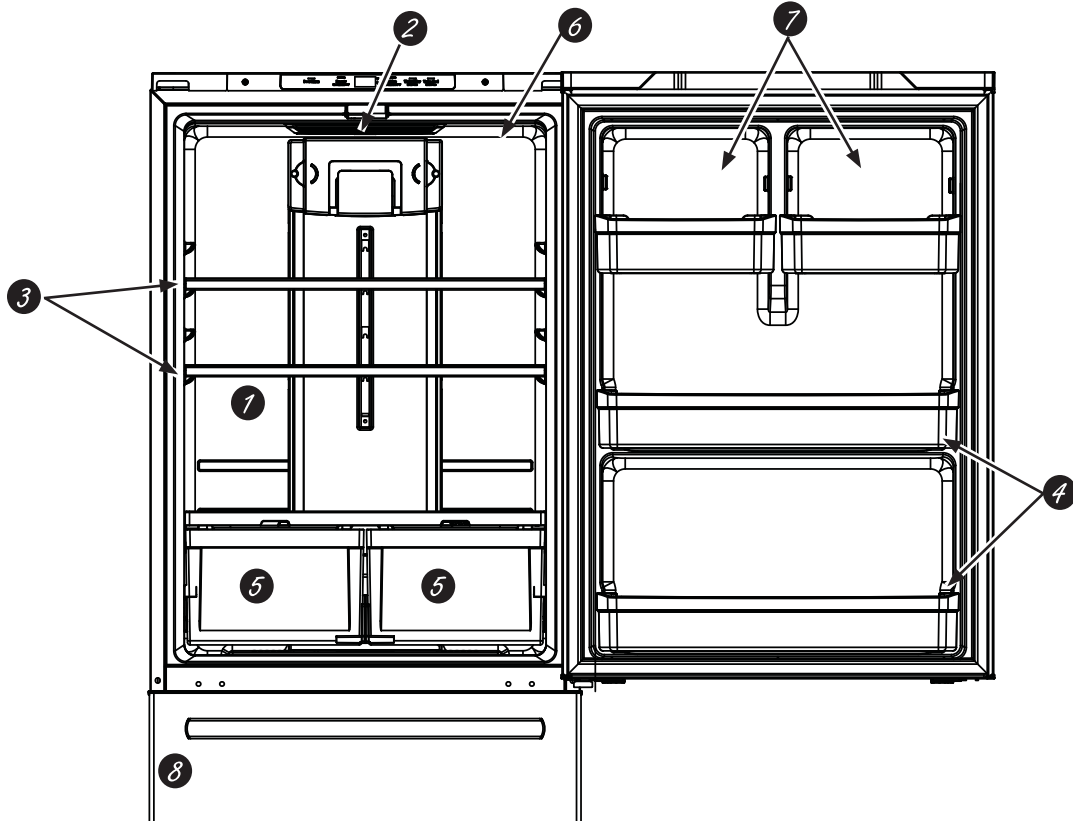
Cajones separadas para almacenar productos comestibles.

**7 Filtro de agua**

Accesible para un fácil reemplazo.

# Funciones

## Modelos con Una Puerta



### 1 Cajón de refrigerios flotante

Se puede ubicar en diferentes lugares para cubrir mejor sus necesidades.

### 2 Iluminación LED

La luz LED está ubicada en la parte superior del compartimento de refrigerador. Las luces LED también están ubicadas en el congelador; consulte las páginas 13 y 14.

### 3 Repisas con ancho completo

Repisas con ancho completo donde se pueden ubicar productos más grandes.

### 4 Anaqueles de puerta de ancho completo de un galón.

Anaqueles de puerta de ancho completo no ajustables que sostienen recipientes de un galón.

### 5 Cajones con clima regulado

Recipientes aparte para almacenar productos alimenticios.

### 6 Filtro de carbón (en algunos modelos)

Accesible para un fácil reemplazo.

### 7 Anaqueles de puerta ajustables

Se pueden mover hacia arriba o abajo de acuerdo a sus necesidades.

### 8 Fabrica de hielos (en algunos modelos)

La máquina de hielos está ubicada en el congelador en algunos modelos. El Kit de la máquina de hielos IM4D están disponible para modelos preparados para uso con máquinas de hielos. Para acceder a instrucciones de instalación consulte el manual del propietario IM4D visitando [www.GEAppliances.com](http://www.GEAppliances.com).

## Control Interno GBE21D, GBE21A

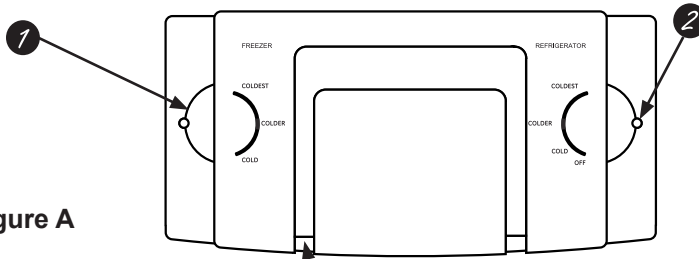


Figure A

**NOTA:** No bloquee la salida del aire colocando productos comestibles directamente contra ésta. Se podrán generar temperaturas erráticas.

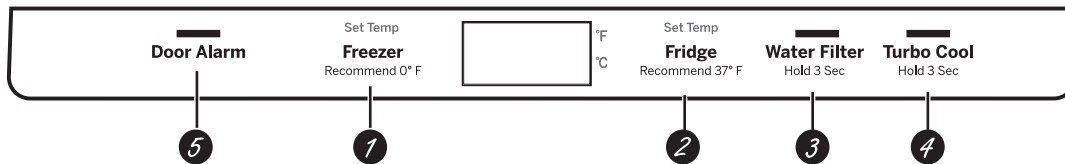
Guía de Temperatura de las Posiciones de la Perilla		
	Refrigerador	Congelador
Coldest	34°F (1.1°C)	Coldest -6°F (-21.1°C)
Colder	37°F (2.8°C)	Colder 0°F (-17.8°C)
Cold	44°F (6.7°C)	Cold 6°F (-14.4°C)

**1 Control de Temperatura del Compartimiento del Congelador**  
Ajuste la temperatura del compartimiento del congelador. La temperatura del congelador está preconfigurada de fábrica en la posición Colder. Espere 24 horas hasta que la temperatura se estabilice en los ajustes de configuración previa recomendados.

**2 Control de Temperatura del Compartimiento de Refrigerador**  
Ajusta la temperatura del compartimiento de refrigerador. La temperatura del congelador fue configurada de forma previa en la fábrica en la posición Colder. Espere 24 horas hasta que la temperatura se estabilice en los ajustes de configuración previa recomendados.  
**NOTA:** La corriente que va al refrigerador no puede ser desconectada por ninguna configuración del panel de control.

## Control Superior de GDE21D, GDE21E, PDE21K, GDE25E, GNE21D, GNE21F, PNE21K, PNE21N, GWE19J, GNE25D, GNE25J, PNE25J, CNE25S, PNE25N, GNE27J, GNE27E

Figure B



**1 Control de Temperatura del Compartimiento del Congelador**  
Ajuste la temperatura del compartimiento del congelador. La temperatura del congelador está preconfigurada de fábrica en **0° F (-17.8° C)**. Espere 24 horas hasta que la temperatura se estabilice en los ajustes de configuración previa recomendados.

**2 Control de Temperatura del Compartimiento de Refrigerador**  
Ajuste la temperatura del compartimiento de refrigerador. La temperatura para las refrigerador está preconfigurada de fábrica en **37° F (2.8° C)**. Espere 24 horas hasta que la temperatura se estabilice en los ajustes de configuración previa recomendados.

**3 Filtro de Agua**  
Mantenga presionada esta función durante 3 segundos para reiniciar el Filtro de Agua.

**4 Turbo Cool (Frío Turbo)**  
Para configurar la función **TurboCool™**, presione la tecla **Turbo Cool** (Frío Turbo) durante 3 segundos. La pantalla mostrará **tc**. **TurboCool™** rápidamente enfría el compartimiento del refrigerador a fin de que la comida se enfríe de forma más rápida. Use **TurboCool™** al agregar una gran cantidad de comida al compartimiento del refrigerador, guardando las comidas que estuvieron a temperatura ambiente o

al guardar restos de comida caliente. También se puede usar si el refrigerador estuvo sin corriente por un periodo prolongado.

**NOTA:** La temperatura del refrigerador no podrá ser modificada durante el uso de **TurboCool™**. La temperatura del congelador no se verá afectada al usar la función **TurboCool™**. Al abrir la puerta del refrigerador durante el uso de **TurboCool™**, los ventiladores continuarán funcionando si estuvieron activados.

**5 Alarma de la Puerta**  
Para configurar la alarma, presione la tecla **Door Alarm** (Alarma de la Puerta). Esta alarma sonará si una de las puertas permanece abierta por más de 2 minutos. El pitido se detiene cuando se cierra la puerta

**NOTA:** Para pasar el control del refrigerador a la posición **OFF** (Apagado), de forma simultánea presione las palabras **Congelador** (Congelador) y **Fridge** (Refrigerador) durante 3 segundos. La corriente que va al refrigerador no puede ser desconectada por ninguna configuración del panel de control.

**Cómo pasar de °F a °C o de °C a °F:** Mantenga presionados los botones "DOOR ALARM" (Alarma de la Puerta) y "FREEZER" (Freezer) de forma simultánea durante 5 segundos para configurar el paso de °C a °F o de °F a °C.

## Controles

### Control Externo de GYE18J, PYE18H, GFE24J, PFE24J, CFE24S, PFE24H, GFE26J

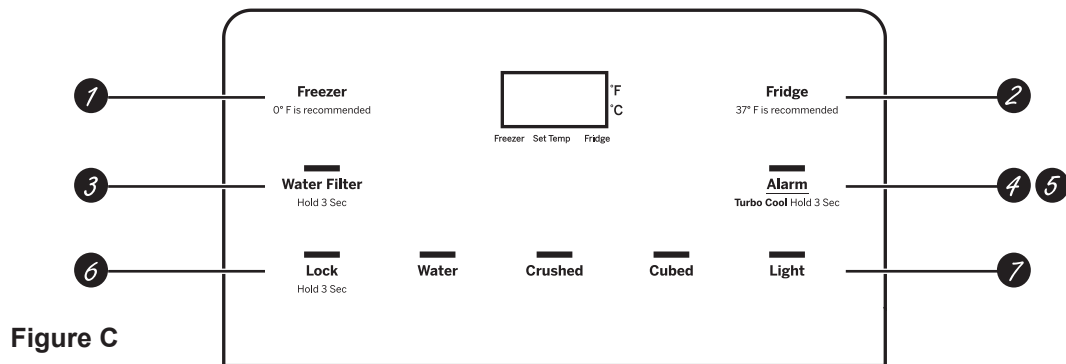


Figure C

- 1 Control de Temperatura del Compartimiento del Congelador**  
Ajuste la temperatura del compartimiento del congelador. La temperatura del congelador está configurada previamente de fábrica en **0° F (-17.8° C)**. Espere 24 horas hasta que la temperatura se estabilice en los ajustes de configuración previa recomendados.
- 2 Control de Temperatura del Compartimiento de Refrigerador**  
Ajuste la temperatura del compartimiento de refrigerador. La temperatura para las refrigerador posee una configuración previa de fábrica en **37° F (2.8° C)**. Espere 24 horas hasta que la temperatura se estabilice en los ajustes de configuración previa recomendados.
- 3 Filtro de Agua**  
Mantenga presionada esta función durante 3 segundos para reiniciar el Filtro de Agua.
- 4 Turbo Cool™ (Frio Turbo)**  
Para configurar la función **TurboCool™**, presione la tecla **Alarm** (Alarma) durante 3 segundos. La pantalla mostrará **tc**.  
**TurboCool™** rápidamente enfría el compartimiento del refrigerador, a fin de enfriar las comidas de forma más rápida. Use **TurboCool™** al agregar una gran cantidad de comida al compartimiento del refrigerador, al guardar las comidas que estuvieron a temperatura ambiente o al guardar restos de comida caliente. También se puede usar si el refrigerador estuvo sin corriente por un período prolongado.

**NOTA:** La temperatura del refrigerador no podrá ser modificada durante el uso de **TurboCool™**. La temperatura del congelador no se verá afectada al usar la función **TurboCool™**. Al abrir la puerta del refrigerador durante el uso de **TurboCool™**, los ventiladores continuarán funcionando si estuvieron activados.

- 5 Alarma**  
Presione la tecla **Alarm** (Alarma) para activar o desactivar la alarma de la puerta. La alarma sonará si una de las puertas permanece abierta por más de 2 minutos. El pitido se detiene cuando se cierra la puerta.
- 6 Bloquear**  
Mantenga presionada la tecla **Lock** (Bloquear) durante 3 segundos para bloquear el hielo y el dispensador de agua y todos los demás controles. Mantenga presionada esta tecla para desbloquear los controles
- 7 Luz LED del dispensador**  
Presione la tecla **Light** (Luz) para encender o apagar la luz del dispensador.  
**NOTA:** Para pasar el control del refrigerador a la posición **OFF** (Apagado), de forma simultánea presione las palabras **Freezer** (Congelador) y **Fridge** (Refrigerador) durante 3 segundos. La corriente que va al refrigerador no puede ser desconectada por ninguna configuración del panel de control.

**Cómo pasar de °F a °C o de °C a °F:** Mantenga presionados los botones "DOOR ALARM" (Alarma de la Puerta) y "FREEZER" (Freezer) de forma simultánea durante 5 segundos para configurar el paso de °C a °F o de °F a °C.

**NOTA:** El refrigerador se envía con una envoltura que protege los controles de temperatura. Si esta envoltura no fue retirada durante la instalación, retire la misma ahora.

## Modos Sabáticos (en algunos modelos)

### Modelos con los controles de las Figura B

- Mantenga presionados los botones "DOOR ALARM" (Alarma de la Puerta) y "WATER FILTER" (Filtro de Agua) de forma simultánea durante 5 segundos para ingresar/salir de Sabbath Mode (Modo Sabático).

### Modelos con controles de las Figura C

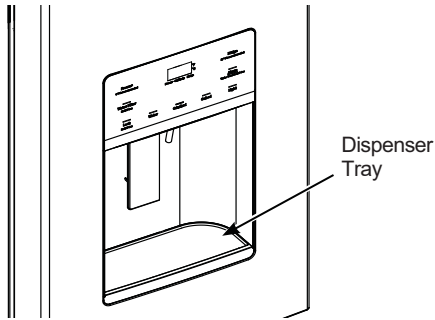
- Mantenga presionados los botones "LOCK" (Bloquea) y "LIGHT" (LUZ) de forma simultánea durante 5 segundos para ingresar/salir de Sabbath Mode (Modo Sabático).



# Dispensador (en algunos modelos)

## Dispensador de Agua y Hielo

(Consulte la sección Controles)



Presione el vidrio de forma suave contra el soporte del dispensador.

El estante antiderrame no se vacía de forma automática. Para reducir las manchas de agua, el estante se deberá limpiar de forma regular.

Si no se dispensa agua cuando el refrigerador se instala por primera vez, es posible que la tubería de agua posea aire. Presione la paleta dispensadora durante por lo menos cinco minutos para eliminar el aire atrapado de la cañería de agua y para llenar el sistema de agua. A fin de limpiar las impurezas en la tubería de agua, descarte los primeros seis vasos de agua.

### **⚠ ADVERTENCIA** Riesgo de Laceración

- Nunca coloque los dedos o cualquier otro objeto en la abertura de descarga de la picadora de hielo. Hacer esto puede resultar en el contacto entre los filamentos de la picadora de hielo y ocasionar lesiones graves o una amputación.
- Use un vidrio resistente al dispensar hielo. Un vidrio delicado se podrá romper y ocasionar lesiones personales.

### Para retirar la Bandeja del Dispensador

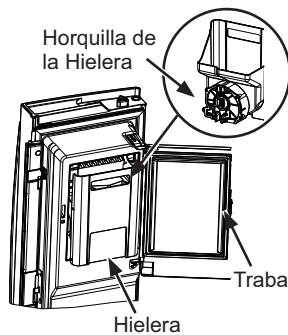
- Empuje la Bandeja del Dispensador hacia afuera.

### Para reinstalar la Bandeja del Dispensador

- Empuje hacia adentro hasta que quede afirmada en su posición.

## Recipiente de hielo en la puerta

1. Abra la puerta izquierda de refrigerador.
2. Baje la traba para abrir la puerta del recipiente.
3. Usando un asidero, levante la hielera hacia arriba y afuera para despejar los localizados en la parte inferior del recipiente.
4. Para reemplazar la hielera, ajuste la misma a los soportes de la guía y empuje hasta que la hielera se ubique correctamente.
5. Si la hielera no se puede reemplazar, gire la Horquilla de la Hielera 1/4 en dirección de las agujas del reloj.



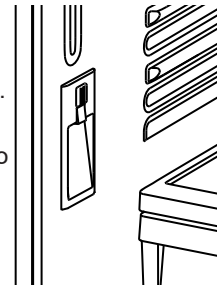
## Dispensador de Agua Interno

(en algunos modelos)

El dispensador de agua está ubicado en la pared izquierda dentro del compartimiento del refrigerador.

### Para dispensar agua:

1. Sostenga el vaso contra el hueco.
2. Presione el botón dispensador de agua.
3. Sostenga el vaso debajo del dispensador entre 2 y 3 segundos luego de liberar el botón del dispensador.  
Es posible que continúe dispensando agua luego de que el botón haya sido liberado.



Si no se dispensa agua cuando el refrigerador se instala por primera vez, es posible que la tubería de agua posea aire. Presione el botón dispensador durante por lo menos 5 minutos para eliminar el aire atrapado de la tubería de agua y para llenar el sistema de agua. Durante este proceso, es posible que el dispensador produzca un ruido fuerte a medida que se elimina el aire de la tubería de agua. A fin de limpiar las impurezas en la tubería de agua, descarte los primeros seis vasos de agua.

NOTA: A fin de evitar depósitos de agua, el dispensador debe ser limpiado de forma periódica con un paño limpio o una esponja.

## Hechos Importantes sobre sus Dispensadores

- No agregue hielo de bandejas o bolsas a la hielera de la máquina de hielos de la puerta. Es posible que no lo pique o que no lo vierta correctamente.
- Evite llenar el vaso de hielo de forma excesiva y no use vasos angostos. El hielo estancado puede trabar el vertedor o hacer que la puerta del vertedor quede cerrada por congelación. Si el hielo bloquea el vertedor, retire la hielera y desbloquee el mismo con una cuchara de madera.
- Las bebidas y las comidas no se deberán enfriar de forma rápida en el cajón de almacenamiento de hielo. Las latas, botellas o paquetes de comida en el cajón de almacenamiento pueden hacer que la máquina de hielos o el taladro se bloqueen.
- Para que el hielo dispensado no caiga afuera del vaso, coloque el vaso cerca de, pero sin que tenga contacto con, la abertura del dispensador.
- Es posible que cierta cantidad de hielo picado sea dispensada incluso aunque haya seleccionado CUBED ICE (Hielo en Cubos). Esto sucede ocasionalmente cuando algunos cubos son dirigidos accidentalmente a la picadora.
- Una vez que el hielo picado es dispensado, es posible que parte del agua gotee del vertedor.
- A veces se formará una pequeña cantidad de escarcha en la puerta del vertedor de hielo. Esta condición es normal y generalmente sucede cuando se dispensó hielo picado en forma repetida.

# Acerca del cartucho del filtro de agua XWF

## CARTUCHO DEL FILTRO DE AGUA

El cartucho del filtro de agua está ubicado en el extremo superior trasero derecho del compartimiento de comida fresca del refrigerador.

## CUÁNDO REEMPLAZAR EL FILTRO

Si existe una luz indicadora de reemplazo del cartucho del filtro de agua en el dispensador, una luz roja del filtro comenzará a parpadear a fin de indicar que es necesario reemplazar el filtro pronto.

- En los modelos con control externo, la luz del filtro parpadeará mientras se está dispensando hasta que el filtro sea reemplazado.
- En los modelos con control superior, la luz del filtro parpadeará mientras la puerta se encuentre abierta hasta que el filtro sea reemplazado.

En los modelos que no cuentan con una luz indicadora, el cartucho del filtro deberá ser reemplazado cada seis meses, o antes si se observa una reducción en el flujo de agua hacia el dispensador o la máquina de hielos.

## RETIRO DEL FILTRO

Si reemplazará el filtro, primero retire el anterior:

1. Abra la carcasa del cartucho del filtro presionando las 2 lengüetas frontales y empujando de forma suave hacia abajo.
2. Gire el filtro hacia abajo.
3. De forma suave, tome el filtro y lentamente dé al mismo aproximadamente ¼ de giro en sentido antihorario. El filtro deberá liberarse de forma automática cuando lo haya rotado lo suficiente hacia la izquierda. Es posible que gotee una pequeña cantidad de agua.

### ⚠ PRECAUCIÓN

Si quedó aire atrapado en el sistema, es posible que el cartucho sea eyectado en el momento en que se retire. Tenga cuidado al retirar el mismo.

## TAPÓN DE BYPASS DEL FILTRO


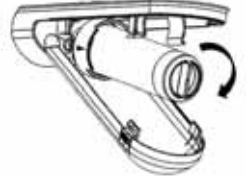
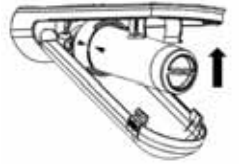
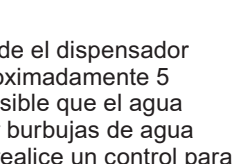
A fin de reducir el riesgo de daños sobre la propiedad debido a pérdidas de agua, usted DEBERÁ usar el tapón del bypass del filtro cuando no se disponga de un reemplazo del cartucho del filtro. Algunos modelos no vienen equipados con el tapón del filtro del bypass. A fin de obtener un tapón del filtro del bypass, comuníquese al 800-GEARES. En Canadá, comuníquese al 800.561.3344. El dispensador y la máquina de hielos no funcionarán si el filtro o el tapón del bypass del filtro no están instalados. El tapón del bypass se instala del mismo modo que un cartucho del filtro.

### ⚠ ADVERTENCIA

A fin de reducir el riesgo asociado con asfixia, no permita que los niños menores de 3 años tengan acceso a las partes pequeñas durante la instalación de este producto. El cartucho del filtro descartable deberá ser reemplazado cada 6 meses luego de agotar su capacidad, o antes si se produce una reducción notoria en el caudal. Para obtener el máximo beneficio de su sistema de filtrado, GE Appliances recomienda el uso de los filtros de la marca GE Appliances únicamente. El uso de filtros de la marca GE Appliances en refrigeradores GE Appliances y Hotpoint® brinda un óptimo funcionamiento y confiabilidad. Los filtros de GE Appliances cumplen con rigurosos estándares NSF de la industria sobre seguridad y calidad, que son importantes para los productos que están filtrando su agua. GE Appliances no posee filtros de la marca GE Appliances que no estén calificados para su uso en refrigeradores GE Appliances y Hotpoint, y no existe seguridad de que los filtros que no son de la marca GE Appliances cumplan con los estándares de GE Appliances en relación a calidad, funcionamiento y confiabilidad.

Ante cualquier consulta, o para ordenar cartuchos de filtros adicionales, visite nuestro sitio Web en [www.gewaterfilters.com](http://www.gewaterfilters.com), o llame a GE Appliances Parts and Accessories (Piezas y Accesorios de GE Appliances), al 877.959.8688.

## INSTALACIÓN DEL FILTRO EN UN REFRIGERADOR CON FREEZER EN LA PARTE INFERIOR

1. Abra la carcasa del cartucho del filtro presionando las 2 lengüetas frontales y empujando de forma suave hacia abajo. 
2. Alinee los puertos del filtro con los puertos de la carcasa del cartucho del filtro, e inserte el filtro de forma suave. 
3. Lentamente, gire el filtro hacia la derecha hasta que se detenga. NO LO AJUSTE EN EXCESO. Mientras gira el filtro, el mismo se ajustará automáticamente en su posición. El filtro girará aproximadamente ¼" o 90 grados, hasta que la flecha del mismo quede alineada con la flecha de la carcasa del cartucho del filtro. 
4. Lentamente empuje el filtro hacia arriba sobre los sujetadores.
5. Cierre la carcasa del cartucho del filtro presionando la tapa de forma suave hacia arriba, hasta que las lengüetas queden bloqueadas en su posición. 
6. Deje correr una cantidad de agua desde el dispensador de 2 galones (7.6 litros) o durante aproximadamente 5 minutos para limpiar el sistema. Es posible que el agua salga a chorros o se podrán visualizar burbujas de agua durante el proceso. Si no fluye agua, realice un control para asegurarse de que el filtro haya sido girado completamente hacia la derecha.
7. Mantenga presionada la tecla WATER FILTER (Filtro de Agua) (sólo en modelos específicos) sobre el dispensador durante tres segundos.

## Pautas de Aplicación/ Suministro de Agua

Flujo del Servicio	0.5 gpm (1.89 lpm)
Suministro de Agua	Agua Potable
Presión del Agua	25-120 psi (172-827 kPa)
Temperatura del agua	33°F-100°F (0.6°C-38°C)
Capacidad	170 galones (643.5 litros)

Regístrese para RECORDATORIOS DE TEXTO, enviados REPLACE (Reemplazar) por mensaje de texto al 70543.

# Estantes y Recipientes

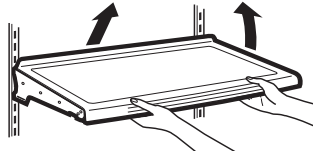
No todas las funciones corresponden a todos los modelos.

## Reorganización de Los Estantes del Refrigerador

Los estantes del compartimiento del refrigerador son ajustables.

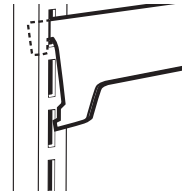
### Para retirar los estantes:

1. Retire todos los productos del estante.
2. Incline el estante hacia arriba en la parte frontal.
3. Levante el estante desde la parte trasera y retire el mismo.



### Para reemplazar los estantes:

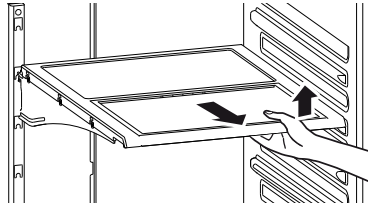
1. Al inclinar el estante hacia arriba, inserte el gancho superior en la parte trasera del estante en una ranura del soporte.
2. Incline la parte frontal del estante hasta que la parte inferior del mismo quede bloqueado.



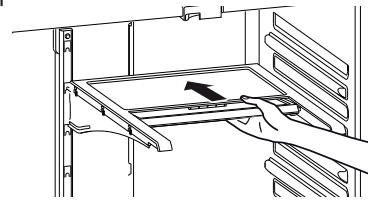
## Estante Quick Shelf (en algunos modelos)

Este estante se divide a la mitad y se desliza por debajo de sí mismo para almacenar productos altos en el estante de abajo.

Este estante puede ser retirado y reemplazado o reubicado.



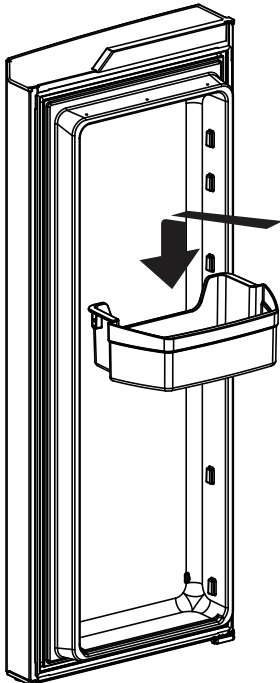
**NOTA:** La mitad trasera del Estante Quick Space no es ajustable.



## Anaqueles de Puertas Ajustables (en algunos modelos)

**Para su retiro:** levante el anaqueles de forma recta y luego empuje hacia afuera.

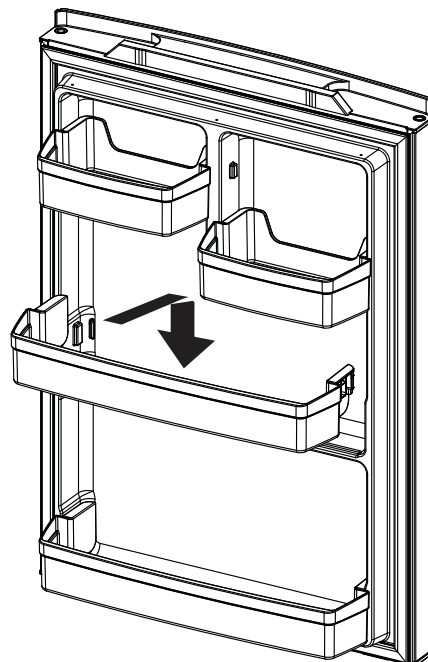
**Para su reemplazo:** adhiera el anaquel a los soportes moldeados de la puerta y empuje hacia abajo hasta que quede bloqueado.



## Anaqueles de Puertas de un Galón No Ajustables (en algunos modelos)

**Para su retiro:** Levante el anaqueles de forma recta y luego empuje hacia afuera.

**Para su reemplazo:** adhiera el cesto a los soportes moldeados de la puerta y empuje hacia abajo hasta que quede bloqueado.



# Cajones

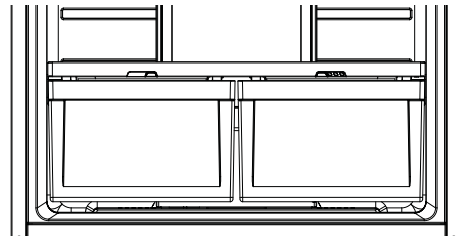
No todas las funciones corresponden a todos los modelos.

## Cajones con Clima Regulado

Mantenga las frutas y verduras organizadas en compartimientos separados para un fácil acceso. El exceso de agua que se puede acumular en la parte inferior de los cajones o debajo de los mismos se deberá limpiar.

### Para retirar la cajón:

Deslice la cajon hacia fuera de la posición de detención, levante la misma hasta la posición de detención y empuje hacia delante.



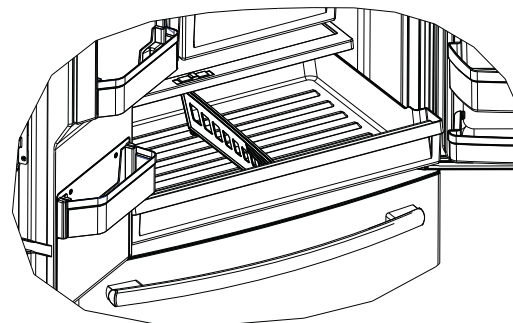
## Cajón de Ancho Completo (en algunos modelos)

### Para retirar la cajon:

1. Empuje la cajón hacia fuera hasta su posición de detención.
2. Levante la parte frontal del cajón hacia arriba y hacia afuera.

### Para reemplazar la cajón:

1. Primero coloque la parte trasera del cajón y gire el frente hacia del mismo hacia abajo para que se apoye en las correderas.
2. Empuje el cajón hacia adentro hasta la posición cerrada.



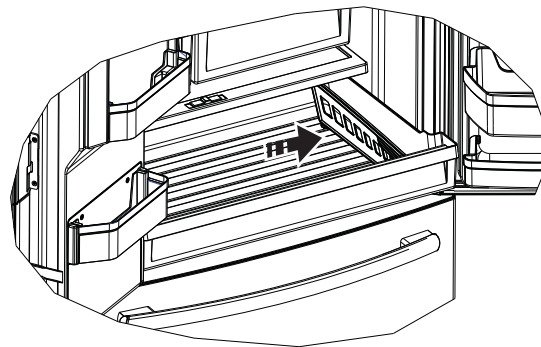
## Retiro y Reinstalacion del Divisor del Cajón

### Para su retiro:

1. Empuje el cajón hacia fuera hasta la posición de detención.
2. Deslice el divisor de cajones hacia la derecha para liberar el mismo de la cajón.

### Para su Reinstalacion:

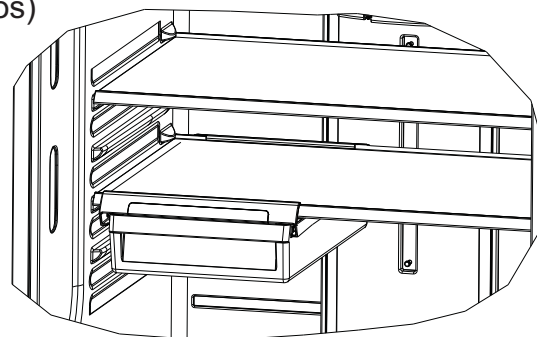
Invierta los pasos 1 y 2 para reemplazar el divisor del cajón.



## Cajón de Refrigerios Flotante (en algunos modelos)

Esta cajón se podrá mover a la ubicación más útil para las necesidades de su familia.

**Para retirar el cajón,** deslice la misma hacia fuera hasta la posición de detención, levante la misma hasta la posición de detención y retírela.



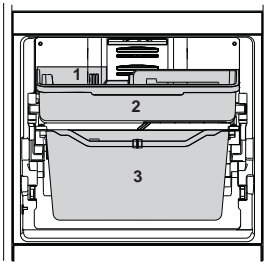
# Cajón del congelador (en algunos modelos)

No todas las funciones corresponden a todos los modelos.

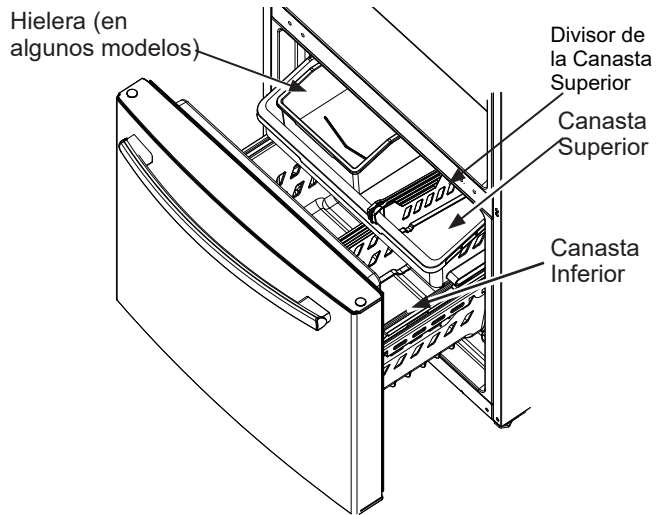
## CANASTAS DEL CONGELADOR

1. Una cubeta en la canasta superior (en algunos modelos)
2. Una canasta superior.
3. Una canasta inferior (con divisor – en algunos modelos)

**NOTA:** No supere el borde al llenar las canastas. Esto podrá hacer que las canastas se claven o atasquen al abrirlas o cerrarlas.



Las funciones y apariencia pueden variar.



## Retiro de la Canasta Superior

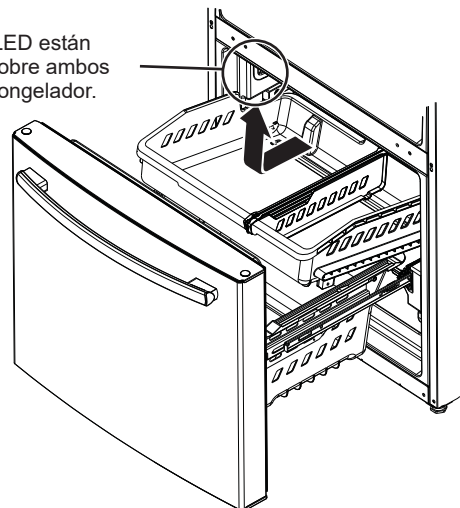
**Para retirar la canasta superior en los modelos con cajón de congelador:**

1. Empuje el cajón hacia fuera hasta su posición de detención.
2. Levante la canasta para liberarla de las correderas.

**Al reemplazar la canasta,** asegúrese de que quede montada sobre los rieles laterales y sobre las correderas de la canasta inferior.

**NOTA:** Siempre asegúrese de cerrar totalmente esta canasta.

Las luces LED están ubicadas sobre ambos lados del congelador.



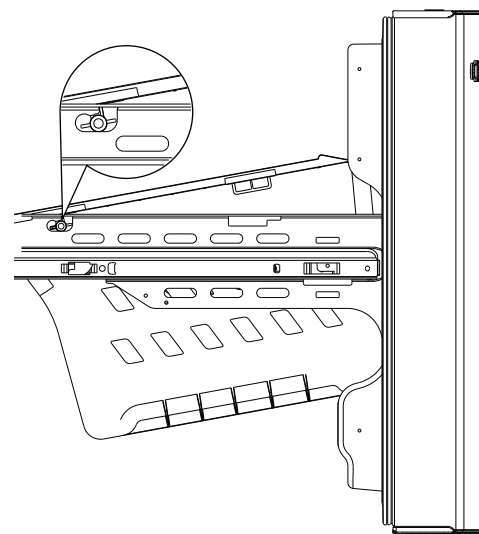
## Retiro de la Canasta Inferior

**Para retirar la canasta inferior en los modelos con cajón de congelador:**

1. Abra el cajón inferior del congelador hasta que se detenga.
2. Retire la canasta superior del congelador.
3. La canasta inferior del congelador se apoya sobre las lengüetas internas de las correderas del cajón.
4. Levante el frente de la canasta y empuje hacia delante.
5. Libere el perno de la ranura para retirar la canasta.

**Al reinstalar la canasta inferior,** inclínala hacia atrás y asegure que los pernos entren en las ranuras de los soportes, deslice hacia atrás y dejarla en posición horizontal.

**NOTA:** Siempre asegúrese de que la canasta quede apoyada en las lengüetas de los soportes, antes de volver a deslizar el cajón en el congelador.





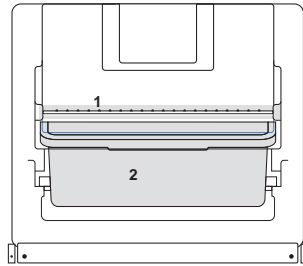
# Compartimiento del congelador

No todas las funciones corresponden a todos los modelos.

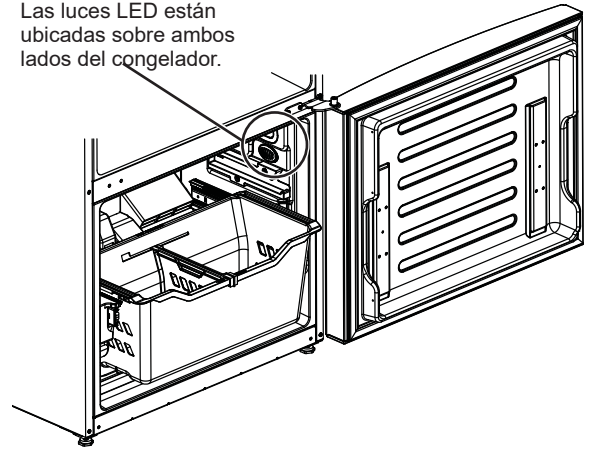
## ESTANTE Y CANASTA DEL COMPARTIMIENTO CONGELADOR

1. Un estante de alambre ajustado al ancho completo
2. Una canasta de plástico deslizante de ancho completo

**NOTA:** No supere el borde al llenar las canastas. Esto podrá hacer que las canastas se claven o atasquen al abrirlas o cerrarlas.



Las luces LED están ubicadas sobre ambos lados del congelador.

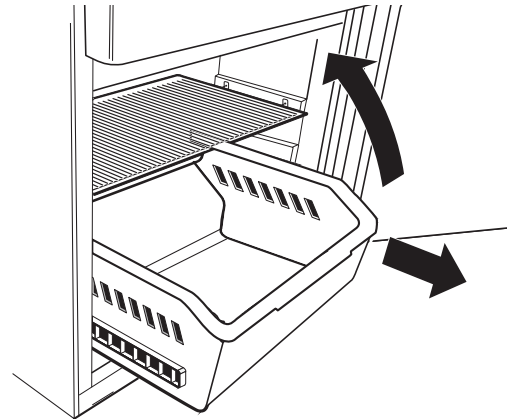


### Retiro de la Canasta

**Para retirar la canasta deslizante de ancho completo en los modelos con puerta de congelador:**

1. Abra la canasta hasta su extensión completa.
2. Levante el frente de la canasta y empuje de forma recta para retirar la misma.

**Al reemplazar la canasta,** inserte la canasta de plástico en los cobertores de los rieles inferiores y empuje hacia atrás hasta su posición.

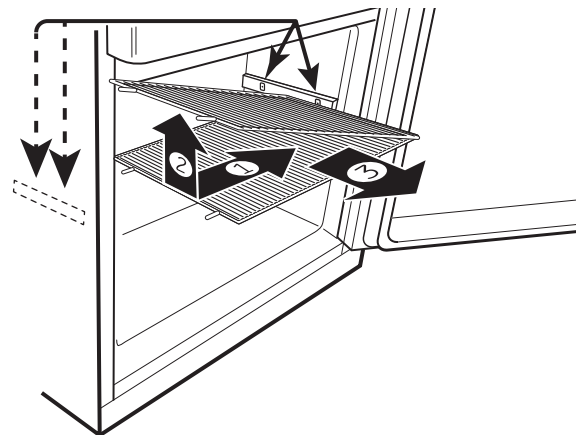


### Retiro del Estante Fijo

**NOTA:** El estante de alambre de ancho completo no es deslizante.

**Al retirar el estante para su limpieza,** empuje el mismo hacia un lado y luego hacia arriba del otro lado y hacia afuera para retirarlo.

**Para reemplazar el estante de alambre de ancho completo,** inserte un lado del estante en los soportes, empujando el estante hacia ese lado hasta que el lado opuesto se ajuste en sus soportes.





# Fabrica de Hielos Automática

Puede llevar entre 12 y 24 horas que un refrigerador recién instalado comience a fabricar hielo.

## Fabrica de hielos automática (en algunos modelos)

La máquina de hielos producirá siete cubos por ciclo, y aproximadamente entre 100 y 130 cubos en un período de 24 horas, dependiendo de la temperatura del compartimiento del congelador, la temperatura ambiente, la cantidad de veces que se abra la puerta y otras condiciones de uso.

Si el refrigerador se utiliza antes de realizar la conexión del agua a la máquina de hielos, configure el interruptor en la posición OFF (Apagado).

Cuando el refrigerador haya sido conectado al suministro de agua, ajuste el interruptor de corriente en la posición ON (Encendido).

La máquina de hielos se llenará de agua cuando se enfríe y llegue a los 15°F (-10°C). Puede llevar entre 12 y 24 horas que un refrigerador recién instalado comience a fabricar hielo.

Es posible que escuche un zumbido cada vez que la máquina de hielos se llene de agua.

Descarte las primeras cantidades de hielo para permitir que

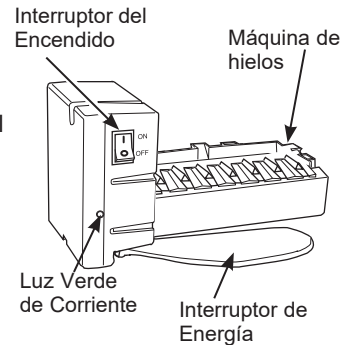
el suministro de agua se despeje.

Asegúrese de que nada interfiera con la extensión del interruptor de energía.

Cuando el cubo se llene hasta el nivel del interruptor de energía, la máquina de hielos dejará de producir hielo. Es normal que varios cubos queden juntos.

Si el hielo no se usa con frecuencia, los cubos de hielo viejos se volverán turbios, con sabor rancio y su tamaño se reducirá.

**NOTA:** En hogares con un nivel de presión inferior a la normal, es posible que escuche que la válvula de agua de la máquina de hielos realice varios ciclos para producir una cantidad de hielo.

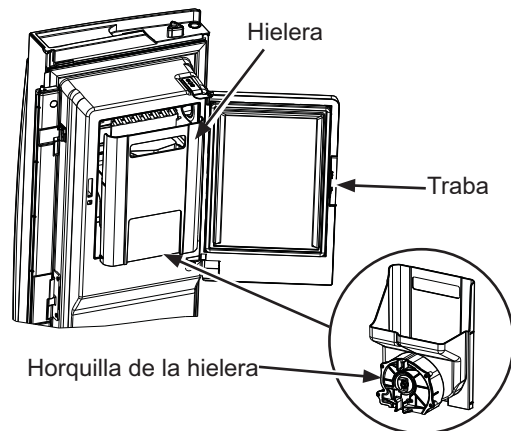


## ⚠ PRECAUCIÓN

Para minimizar el riesgo de lesiones personales, evite el contacto con las partes móviles del mecanismo eyector o con el elemento de calefacción que libera los cubos. No coloque los dedos ni las manos en el mecanismo de la máquina de hielos automática mientras el refrigerador esté enchufado.

## Para los Modelos de Refrigeradores con Máquina de Hielos en la Puerta Hielera y Dispensador

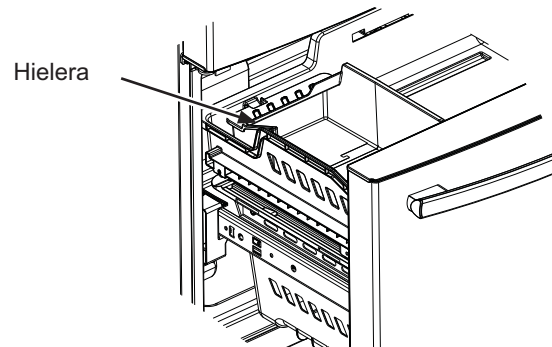
- Abra la puerta de la caja de hielos que está dentro de la puerta izquierda.
- Empuje hacia arriba y afuera la hielera en la puerta del lado izquierdo para retirar la misma del compartimento.
- Para reemplazar la hielera, ajuste la misma a los soportes de la guía y empuje hasta que la hielera se ubique correctamente.
- Si la hielera no se puede reemplazar, dé 1/4 de giro a la horquilla de la hielera en dirección de las agujas del reloj.
- La máquina de hielos puede ser encendida y apagada usando la pantalla (consulte la sección Controles en las páginas 7 y 8).



## Para los Modelos de Refrigeradores con Máquina de Hielos en el Compartimento del Congelador

Algunos modelos poseen una máquina de hielos instalada en el compartimento del congelador. Para aquellos modelos preparados para uso con máquina de hielos, puede adquirir el Kit IM4D o IM-5D. Visite nuestro sitio web en GEAppliances.com o llame a GE Appliances Parts and Accessories (Piezas y Accesorios de GE Appliances) al 877.959.8688 (en Canadá visite [geappliances.ca/en/products/parts-filters-accessories](http://geappliances.ca/en/products/parts-filters-accessories) o llame al 1.800.661.1616).

Hay acumulación de hielos en el compartimento del congelador, ubicado del lado izquierdo de la canasta superior. Empuje la canasta superior hacia adelante para retirar la hielera.



# Cuidado y limpieza

## Limpieza de la Parte Externa

### Los paneles de acero inoxidable, manijas de las puertas y componentes.

No use cera, limpiametales, blanqueadores para electrodomésticos ni productos que contengan cloro sobre partes de acero inoxidable.

El acero inoxidable se puede limpiar con un limpiador de acero inoxidable disponible comercialmente. Un limpiador de acero inoxidable con rociador funciona mejor.

### Partes plásticas con acentos de plata.

Lave las partes con jabón u otros detergentes suaves. Limpie con una esponja, una tela húmeda o toallas de papel.

No use estropajos, limpiadores en polvo, blanqueadores ni limpiadores que contengan blanqueador, ya que estos productos pueden rayar y debilitar el acabado de la pintura.

**Si es necesario limpiar la bandeja antiderrames, use un eliminador de sarro.**

## Limpieza de la Parte Interna

### Desenchufe el refrigerador antes de limpiar.

Si esto no resulta práctico, estruje el exceso de humedad para eliminarlo de la esponja o tela al limpiar alrededor de los interruptores, luces o controles.

Use un pulidor de cera para electrodomésticos en la superficie interna entre las puertas.

Use agua caliente y solución de bicarbonato de sodio — aproximadamente una cucharada sopera (15 ml.) de bicarbonato de sodio para un cuarto de galón (1 litro) de agua. Esto limpia y neutraliza los olores. Enjuague y seque.

### ⚠ PRECAUCIÓN

No limpie estantes de vidrio ni tapas con agua caliente cuando estén fríos. Los estantes de vidrio y las tapas se pueden romper si son expuestos a cambios de temperatura repentinos o impactos tales como golpes o caídas. El vidrio templado está diseñado para destruirse en pequeñas piezas en caso de rotura.

## Detrás del Refrigerador

Tenga cuidado al alejar el refrigerador de la pared. Cualquier tipo de cobertura de piso puede ser dañada, particularmente las coberturas acolchonadas y aquellas con superficies con relieves.

Levante las patas niveladoras ubicadas en la parte frontal inferior del refrigerador.

Empuje el refrigerador hacia afuera de forma recta y regrese el mismo a su posición empujándolo hacia dentro. Mover el refrigerador hacia una ubicación lateral podrá ocasionar daños sobre la cobertura del piso o el refrigerador.

Baje las patas niveladoras hasta que toquen el piso

**Al volver a empujar el refrigerador, asegúrese de que no atraviese el cable de corriente ni la tubería de suministro de agua.**

## Preparación para las Vacaciones

Si estará de vacaciones o ausente por tiempo prolongado, retire la comida y desenchufe el refrigerador. Limpie la parte interna con una solución de bicarbonato de sodio de una cucharada sopera (15 ml) de bicarbonato de sodio para un cuarto de galón (1 litro) de agua. Deje las puertas abiertas.

Si la temperatura puede llegar a estar por debajo del límite de congelación, solicite a un técnico calificado que drene el sistema de suministro de agua a fin de prevenir daños graves sobre la propiedad debido a una inundación.

1) Apague el refrigerador (pág. 7 y 8) o desenchufe el refrigerador.

2) Vacíe la hielera

3) Cierre el suministro de agua

**Si cierra el suministro de agua, apague la máquina de hielos (pg. 15).**

Al regresar de sus vacaciones:

1) Reemplace el filtro de agua.

2) Deje correr 2 galones de agua a través del dispensador de agua fría (aproximadamente 5 minutos) a fin de eliminar el aire del sistema.

## Preparación para la Mudanza

Asegure todos los artículos tales como estantes y cajones, pegando los mismos de forma segura en sus respectivos lugares a fin de evitar daños.

Al usar un carro manual para mover el refrigerador, no deje que la parte frontal ni la parte trasera descansen contra el carro manual. Esto podría dañar el refrigerador.

Lleve el mismo sólo sobre los costados del refrigerador.

Asegúrese de que el refrigerador permanezca en una posición erguida durante el movimiento.

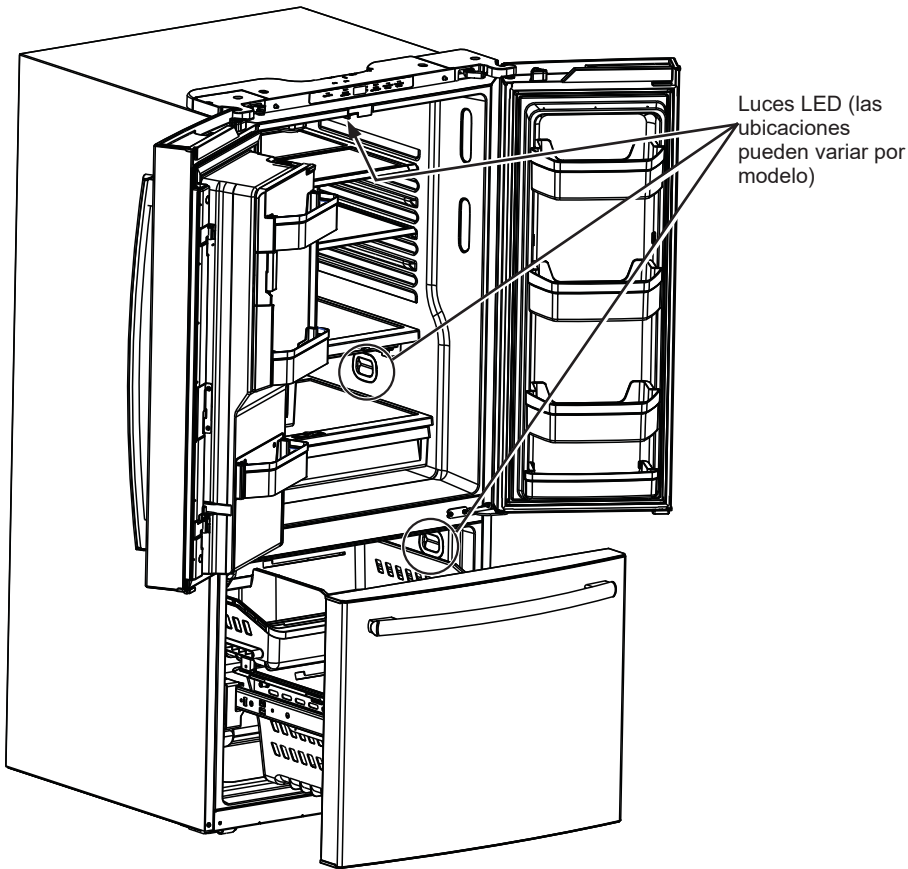
# Cuidado y limpieza

## Reemplazo de las Luces

El compartimiento de refrigerador cuenta con iluminación LED en la parte superior central y del lado izquierdo y derecho sobre las cajones con clima regulado en los modelos con puerta francesa. La iluminación LED está ubicada en la parte superior del compartimiento de refrigerador de los modelos con una sola puerta.

Las luces LED también están ubicadas en la parte superior de los costados izquierdo y derecho del congelador en todos los modelos. Será necesario que un técnico autorizado reemplace la luz LED.

En caso de ser necesario un reemplazo de este ensamble, llame al Servicio Técnico de GE Appliances al 1.800.432.2737 en Estados Unidos o al 1.800.561.3344 en Canadá.



# Instrucciones de Instalación

## Refrigerador

¿Preguntas? Llame al 800.GE.CARES (800.432.2737) o visite nuestro sitio web en: [GEAppliances.com](http://GEAppliances.com)  
 En Canadá, llame al 1.800.561.3344 o visite nuestro sitio Web en: [www.GEAppliances.ca](http://www.GEAppliances.ca)

### ANTES DE COMENZAR

Lea estas instrucciones en su totalidad y atentamente

- **IMPORTANTE** — Cumpla con todos los códigos y ordenanzas gubernamentales. Guarde estas instrucciones para uso del inspector local.
- Nota para el Instalador – Asegúrese de que el Comprador guarde estas instrucciones.
- Nota para el Consumidor – Guarde estas instrucciones para referencia futura.
- Nivel de habilidad – La instalación de este dispositivo requiere un nivel básico de habilidades mecánicas.
- Tiempo de Instalación – Instalación del Refrigerador 20 minutos  
 Instalación del Suministro de Agua - 30 minutos
- Es responsabilidad del instalador realizar una instalación adecuada.
- Si se producen fallas en el producto debido a una instalación inadecuada, la Garantía no cubrirá las mismas.

### PREPARACIÓN

#### CÓMO MOVER EL REFRIGERADOR EN UN ESPACIO INTERNO

Si el refrigerador no pasa por una puerta, la puerta del refrigerador y el cajón del congelador podrán ser retirados.

- Para retirar la puerta del refrigerador, consulte el Paso 1 en la sección de Inversión de la Apertura de la Puerta.
- Para retirar el cajón del congelador, consulte la sección sobre Cómo Retirar el Cajón del Congelador.

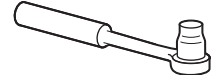
#### SUMINISTRO DE AGUA A LA MÁQUINA DE HIELOS Y AL DISPENSADOR

Si el refrigerador cuenta con una máquina de hielos, deberá ser conectada al suministro de agua fría. Un kit de suministro de agua de GE Appliances (con tubería, válvula de cierre, uniones e instrucciones) está disponible por un costo adicional a nivel minorista, visitando nuestro sitio web en [GEAppliances.com](http://GEAppliances.com) (en Canadá en [www.geappliances.ca](http://www.geappliances.ca)) o en Parts and Accessories (Piezas y Accesorios), 877.959.8688 (en Canadá 1.800.661.1616).

### HERRAMIENTAS QUE PUEDE NECESITAR



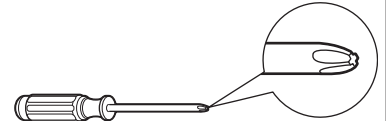
Llave Ajustable



Llave de Tubo / Destornillador de 3/8" y 5/8"



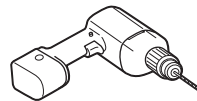
Tuerca de Compresión de Diámetro Externo de 1/4" y Abrazadera de Refuerzo (manga) Sólo en modelos con máquina de hielos



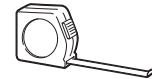
Destornillador con Cabeza Phillips



Llaves Allen de 3/32", 1/8" y 3/16"



Broca de 1/8" y Taladro Eléctrico o Manual



Cinta métrica



Lápiz



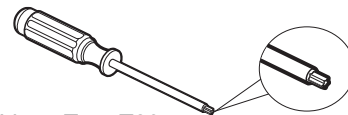
Llave de Tuercas de 1/4"



Cortacables



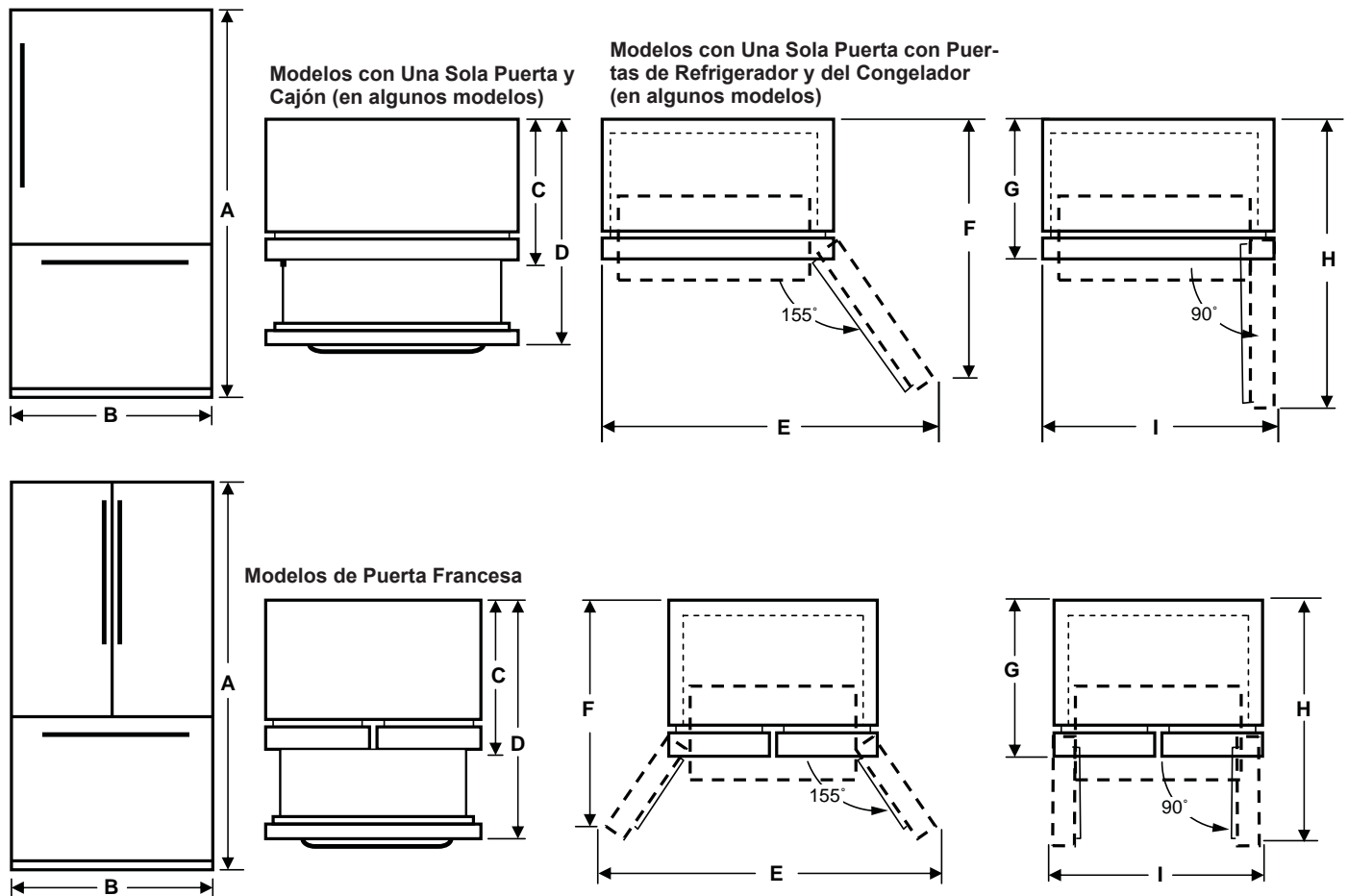
Nivel



Llave Torx T20

# Instrucciones de Instalación

## DIMENSIONES DEL ELECTRODOMÉSTICO

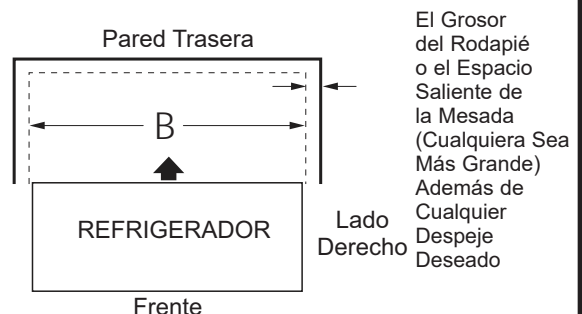


ARTÍCULO	Modelos de 18/19 pies cúb. con puertas francesas	Modelos de 21 pies cúb. con una sola puerta	Modelos de 21 pies cúb. con puertas francesas	Modelos de 25 pies cúb. con una sola puerta	Modelos de 24/25 pies cúb. con puertas francesas	Modelos de 26/27 pies cúb. con puertas francesas
A*	69-7/8" (177.5 cm)	69-7/8" (177.5 cm)	69-7/8" (177.5 cm)	69-7/8" (177.5 cm)	69-7/8" (177.5 cm)	69-7/8" (177.5 cm)
B	33" (83.8 cm)	30" (76.2 cm)	30" (76.2 cm)	33" (83.8 cm)	33" (83.8 cm)	36" (91.4 cm)
C**	30-7/8" (78.4 cm)	36-1/8" (91.8 cm)	36-3/8" (92.4 cm)	37-3/8" (94.9 cm)	37-1/8" (94.3 cm)	36-5/16" (92.2 cm)
D**	41-3/32" (104.4 cm)	-	54" (137.2 cm)	54-3/4" (139.1 cm)	54-3/4" (139.1 cm)	50-3/16" [127.5 cm]
E	48-3/8" (122.8 cm)	55" (139.7 cm)	54-7/8" (139.4 cm)	60-1/2" (153.7 cm)	60-1/2" (153.7 cm)	54-13/16" (139.2 cm)
F	39-17/32" (100.4 cm)	45-5/8" (115.9 cm)	37" (94 cm)	48" (121.9 cm)	38-3/4" (98.4 cm)	43-23/32" (111.1 cm)
G	28-7/8" (73.3 cm)	33-7/8" (86 cm)	34-3/8" (87.3 cm)	34-7/8" (88.6 cm)	35-3/8" (89.9 cm)	33-13/16" (85.9 cm)
H	41-15/16" (106.5 cm)	61" (154.9 cm)	45-7/8" (116.5 cm)	65" (165.1 cm)	48-3/8" (122.9 cm)	48-3/4" (123.8 cm)
I**	40-1/2" (102.9 cm)	33-1/2" (85.1 cm)	37-5/8" (95.6 cm)	36" (91.4 cm)	40-1/2" (102.9 cm)	43-3/8" (110.2 cm)

**NOTA:** \*La altura del refrigerador hasta la parte superior de la puerta. \*\* Incluye la manija.

### MIDA LA ABERTURA DEL GABINETE DE ACUERDO CON EL ANCHO DEL REFRIGERADOR

Mida el ancho de la abertura del gabinete donde el refrigerador será colocado, "B". Asegúrese de tener en cuenta cualquier parte saliente de la mesada, el grosor del rodapié y cualquier despeje deseado. El ancho, "B", no debería ser inferior a entre 30" y 36" (76.2 cm - 91.4 cm) (dependiendo del modelo). El refrigerador será ubicado aproximadamente en el medio de esta abertura.



# Instrucciones de Instalación

## INSTALACIÓN DEL REFRIGERADOR

### UBICACIÓN DEL REFRIGERADOR

- No instale el refrigerador donde la temperatura llegue a ser inferior a los 60°F (16°C), ya que no se activará con la frecuencia necesaria para mantener las temperaturas apropiadas.
- No instale el refrigerador donde la temperatura sea superior a los 100°F (37°C), ya que no funcionará de forma correcta.
- No instale el refrigerador en una ubicación expuesta al agua (lluvia, etc.) o en contacto directo con la luz solar.
- Instale el mismo en un piso lo suficientemente fuerte como para soportarlo completamente cargado.

### ESPACIO NECESARIO

Deje el siguiente espacio para facilitar la instalación, una adecuada circulación de aire y plomería y conexiones eléctricas.

Costados	1/8" (3 mm)	
Parte superior	1" (25 mm)	Gabinete/ Tapa de la Bisagra
Parte Trasera	2" (50 mm)	

### NOTAS IMPORTANTES

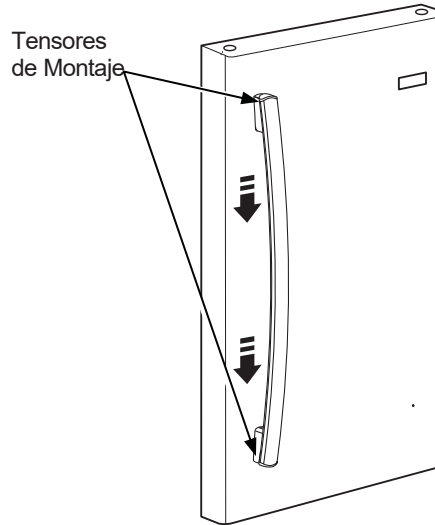
Este refrigerador sin las manijas varía entre 34" y 35 1/4" (86.4 cm - 89.5 cm), dependiendo de su modelo (consulte la dimensión G en la página anterior). Las puertas y pasillos que aparecen en el camino hasta la ubicación de la instalación deben tener por lo menos 36" (91.4 cm), para poder dejar las puertas adheridas al refrigerador mientras lo transporta hasta la ubicación de la instalación. Si los pasillos tienen menos de 36" (91.4 cm), las puertas del refrigerador se podrán rayar y dañar fácilmente. Las puertas pueden ser retiradas para que el refrigerador se pueda mover de forma segura en áreas internas.

- Si es necesario retirar la puerta y su modelo es con puertas francesas, consulte la sección de Retiro de las Puertas Francesas.
- Si es necesario retirar la puerta y su modelo es con una puerta de refrigerador, consulte la sección de Inversión de la Puerta.
- Si es necesario retirar la puerta del congelador y su modelo posee un cajón del congelador, consulte la sección de Retiro del Cajón del Congelador.
- Si su modelo posee la puerta del congelador con bisagra, consulte la sección de Inversión de la Puerta.
- Si **NO** es necesario retirar las manijas ni la puerta, vaya al página 31. Deje la cinta y todo el embalaje en las puertas hasta que el refrigerador se encuentre en su ubicación final. Una vez en su lugar, instale las manijas de la puerta (consulte el Paso 1 y 2).
- **RETIRO DE LA PLATAFORMA:** Incline el refrigerador hacia cada lado para retirar la plataforma.
- **NOTA:** Use un carro manual para transportar el refrigerador. Coloque el refrigerador en el carro manual, apoyando un costado contra este último. Recomendamos enfáticamente que **DOS PERSONAS** realicen el traslado y completen la instalación.

### 1 ADHIERA LA MANIJA(S) DE COMIDA FRESCA

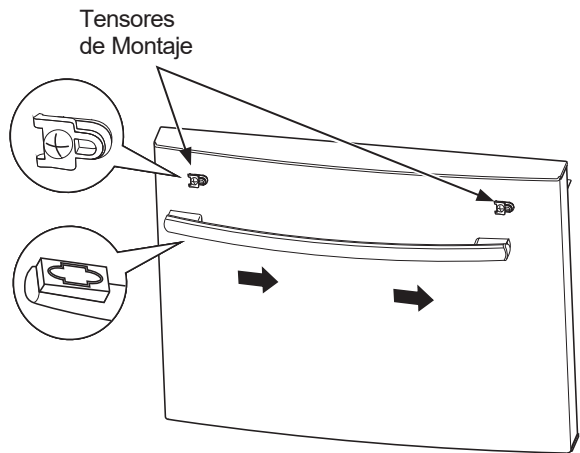
Adhiera la manija a los tensores de montaje, alineando las ranuras de la manija con los tensores de montaje. Deslice la manija hacia abajo, hasta que escuche el sonido del "clic".

**NOTA:** Para los modelos con Puertas Francesas, siga el mismo procedimiento para ambas puertas.



### 2 ADHIERA LA MANIJA DEL CONGELADOR

Adhiera la manija a los tensores de montaje, alineando las ranuras de la manija con los tensores de montaje. Deslice la manija hacia la derecha, hasta que escuche el sonido del "clic".





# Instrucciones de Instalación

## INSTALACIÓN DEL REFRIGERADOR (Cont.)

### RETIRO DE LAS PUERTAS FRANCESAS (en algunos modelos)

#### ⚠️ ADVERTENCIA

Siga todos los pasos al invertir la dirección de apertura de la puerta. Si no se siguen estas instrucciones, dejando piezas sin uso o ajustando tornillos en exceso, esto podrá hacer que la puerta se caiga y producir lesiones y daños sobre la propiedad.

#### NOTAS IMPORTANTES

Al retirar las puertas francesas:

- Lea las instrucciones completamente antes de comenzar.
- Las manijas están incluidas dentro del refrigerador.
- Coloque los tornillos en sus partes relacionadas, a fin de evitar su uso en los lugares equivocados.
- Cuenten con una superficie de trabajo donde las puertas no se rayen.

#### ⚠️ PRECAUCIÓN

##### Riesgo al levantar la

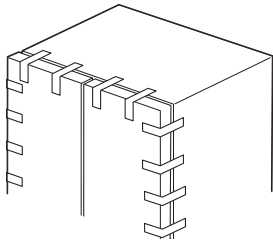
**puerta.** Si es levantada por una sola persona, podrían ocasionarse lesiones. Solicite ayuda al sostener, mover o levantar las puertas del refrigerador.

**NOTA:** Al retirar la puerta, a fin de evitar daños sobre la misma y la parte electrónica, coloque con cuidado la puerta en una ubicación adecuada.

#### ⚠️ ADVERTENCIA

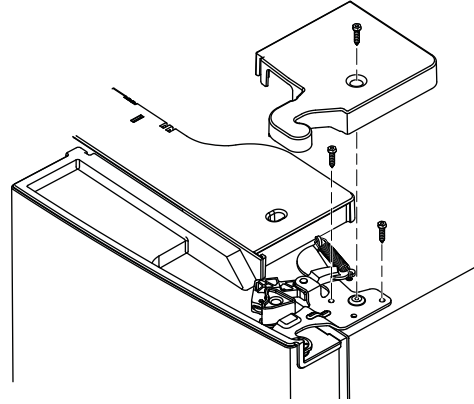
A fin de eliminar el riesgo de descarga eléctrica o lesión durante la instalación, primero deberá desenchufar el refrigerador antes de proceder. Si no se siguen estas instrucciones, se podrá producir una descarga eléctrica.

Mantenga las puertas cerradas con cinta adhesiva.

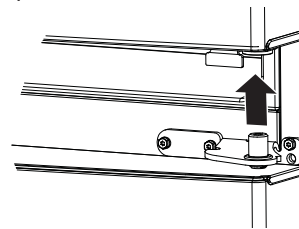


### 1 RETIRO DE LA PUERTA DERECHA

- A. Retire la tapa de la bisagra en la parte superior de la puerta de refrigerador derecha, retirando el tornillo y usando un destornillador Phillips.

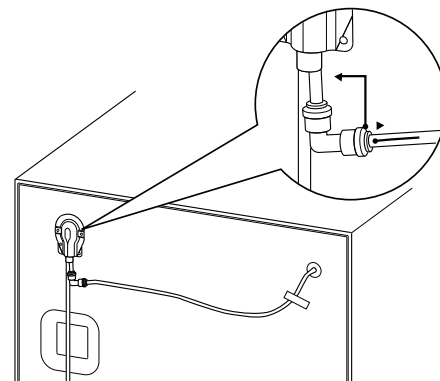


- B. Usando una llave de tubo/ destornillador de 5/16", retire los tornillos que aseguran la bisagra superior del gabinete. Levante el soporte de la bisagra hacia arriba para liberar el perno de la bisagra del encaje en la parte superior de la puerta.
- C. Retire la cinta de la puerta derecha e incline la puerta lejos del gabinete. Levante la puerta y retire la misma del perno de la bisagra central.
- D. Ajuste la puerta en una superficie antirayaduras con la parte interna hacia arriba.



### 2 RETIRO DE LA PUERTA IZQUIERDA

- A. **Para Modelos con Hielo y Agua Únicamente:** Desenchufe la conexión del agua desde la parte trasera del refrigerador y retire toda la cinta que une la tubería de agua con el refrigerador.

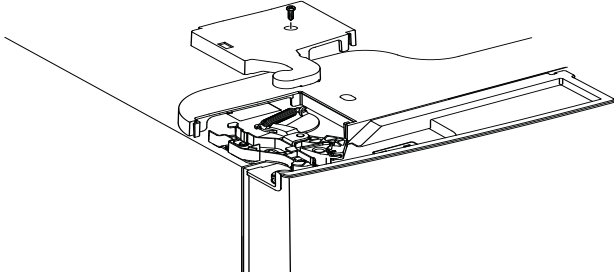


# Instrucciones de Instalación

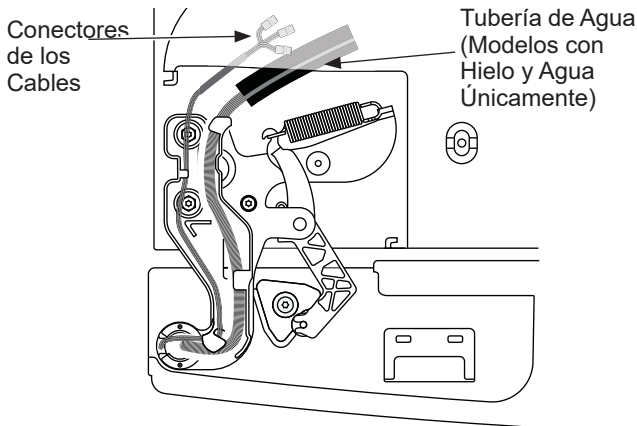
## INSTALACIÓN DEL REFRIGERADOR (Cont.)

### 2 RETIRO DE LA PUERTA IZQUIERDA (cont.)

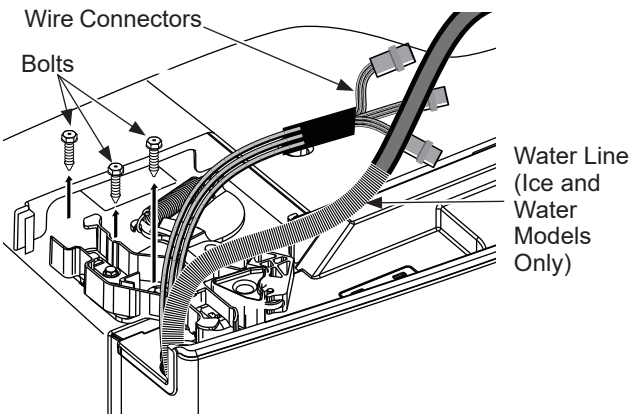
B. Retire la tapa de la bisagra en la parte superior de la puerta de refrigerador izquierda, retirando el tornillo con un destornillador Phillips.



C. Desenchufe los conectores de 3 cables y mueva estos últimos, hasta que pueda ver los tornillos que sostienen la bisagra. Para Modelos con Hielo y Agua Únicamente: empuje la tubería de agua con mucho cuidado



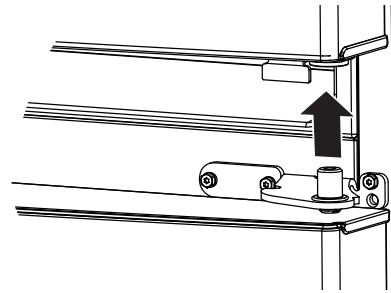
D. Usando una llave de tubo/ destornillador de 5/16", retire los tornillos que aseguran



Para Modelos que NO son con Hielo y Agua Únicamente: levante la bisagra de forma recta hacia arriba para liberar el perno de la bisagra desde el anclaje en la parte superior de la puerta, y pase el cable a través de la ranura de la bisagra.. Para Modelos con Hielo y Agua Únicamente: no retire la bisagra de la puerta.

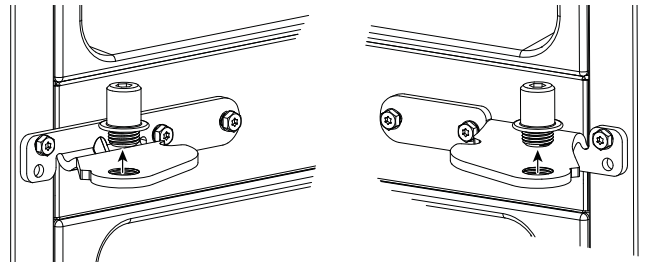
E. Retire la cinta de la puerta, abra la puerta a 90 grados e incline la puerta lejos del gabinete. Levante la puerta y retire la misma del perno de la bisagra central.

F. Ajuste la puerta en una superficie antirayaduras con la parte interna hacia arriba.

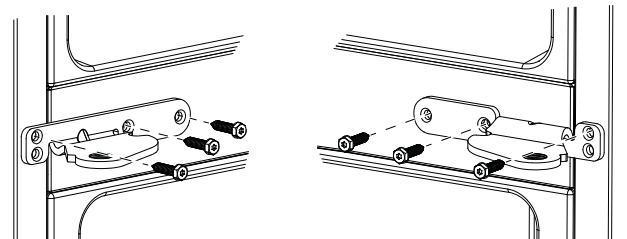


### 3 RETIRO DE LAS BISAGRAS CENTRALES Y DE LOS SOPORTES

A. Usando una llave Allen de 1/4", retire los 2 pernos de la bisagra desde los soportes de la bisagra



B. Usando una llave de tubo/ destornillador de 5/16", retire los tornillos que aseguran los soportes de la bisagra central al gabinete.



# Instrucciones de Instalación

## INSTALACIÓN DEL REFRIGERADOR (Cont.)

### REINSTALACIÓN DE LAS PUERTAS FRANCESAS (en algunos modelos)

#### NOTAS IMPORTANTES

Al retirar las puertas francesas:

- Lea las instrucciones completamente antes de comenzar.
- Las manijas están incluidas dentro del refrigerador.
- Coloque los tornillos en sus partes relacionadas, a fin de evitar su uso en los lugares equivocados.
- Cuenten con una superficie de trabajo donde las puertas no se rayen.

#### ⚠ PRECAUCIÓN

##### Riesgo al levantar la

**puerta.** Si es levantada por una sola persona, podrían ocasionarse lesiones. Solicite ayuda al sostener, mover o levantar las puertas del refrigerador.

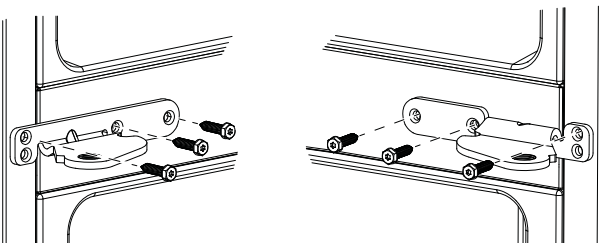
**NOTA:** Al retirar la puerta, a fin de evitar daños sobre la misma y la parte electrónica, coloque con cuidado la puerta en una ubicación adecuada.

#### ⚠ ADVERTENCIA

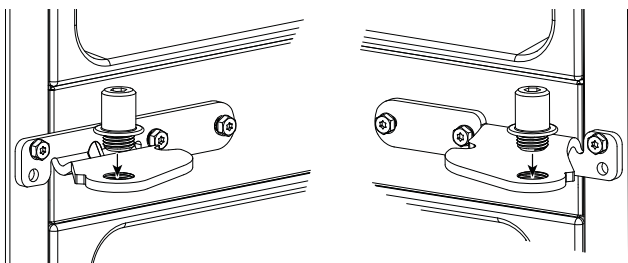
A fin de eliminar el riesgo de descarga eléctrica o lesión durante la instalación, primero deberá desenchufar el refrigerador antes de proceder. Si no se siguen estas instrucciones, se podrá producir una descarga eléctrica.

### 1 REINSTALACIÓN DE LOS SOPORTES DE LA BISAGRA CENTRAL Y DE LA BISAGRA

- A. Usando una llave de tubo/ destornillador de 5/16", retire los tornillos que aseguran los soportes de la bisagra central al gabinete.

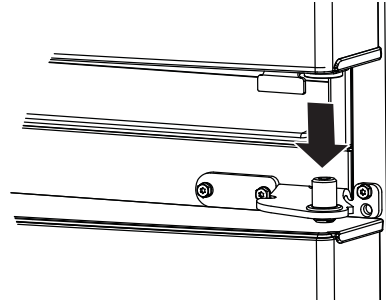


- B. Usando una llave Allen de 1/4", reinstale los 2 pernos de la bisagra en los soportes de la bisagra.

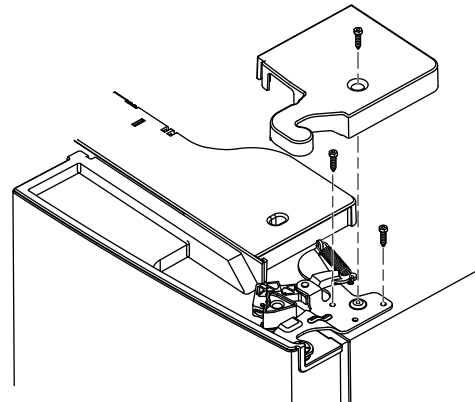


### 2 REINSTALACIÓN DE LA PUERTA DERECHA

- A. Baje la puerta del refrigerador sobre el perno de la bisagra derecha.



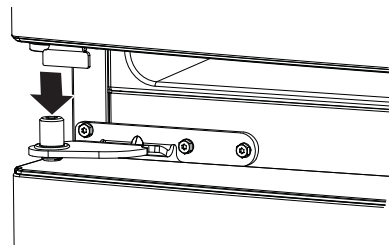
- B. Asegúrese de que la puerta esté alineada con el gabinete. Adhiera la bisagra a la parte superior del gabinete sin apretar, habiendo retirado los tornillos antes.
- C. Asegúrese de que la junta de la puerta esté nivelada contra el gabinete y que no esté doblada. Ajuste los tornillos a 60 lb/pulg (6.78 Nm).



- D. Reemplace la tapa de la bisagra derecha en la parte superior del refrigerador usando un destornillador Phillips.

### 3 REINSTALACIÓN DE LA PUERTA IZQUIERDA

- A. Para Modelos que **NO** son con Hielo y Agua Únicamente: pase el cable a través de la ranura de la bisagra. Coloque el perno de la bisagra en la parte superior de la puerta.



- B. Baje la puerta del refrigerador sobre el perno de la bisagra izquierda.

# Instrucciones de Instalación

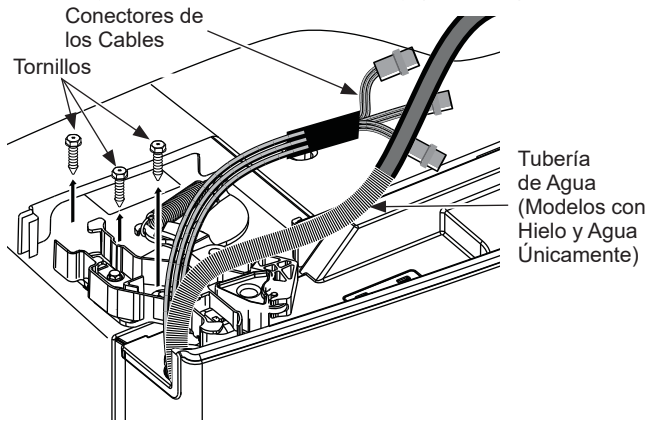
## INSTALACIÓN DEL REFRIGERADOR (Cont.)

### REINSTALACIÓN DE LAS PUERTAS FRANCESAS (en algunos modelos) (Cont.)

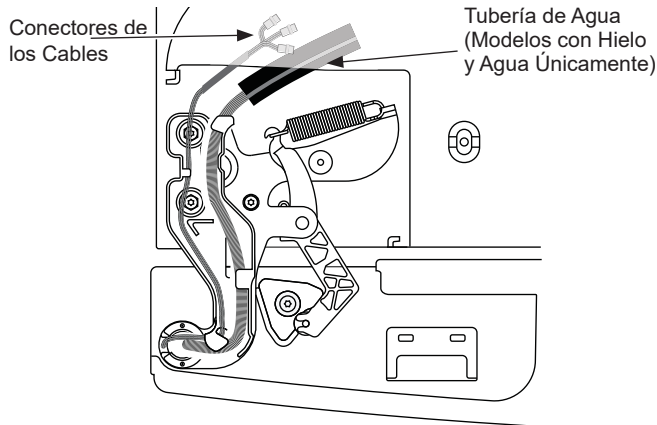
#### 3 REINSTALACIÓN DE LA PUERTA IZQUIERDA (Cont.)

**C.** Asegúrese de que la puerta esté alineada con el gabinete. Adhiera la bisagra a la parte superior del gabinete sin apretar, habiendo retirado los tornillos antes.

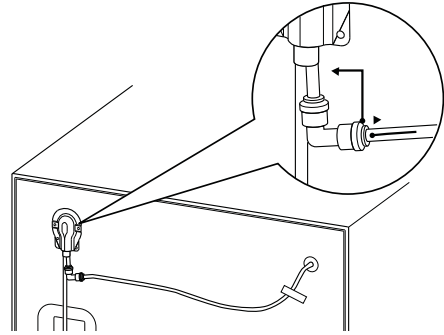
**D.** Asegúrese de que la junta de la puerta esté nivelada contra el gabinete y que no esté doblada. Ajuste los tornillos a 60 lb/pulg (6.78 Nm).



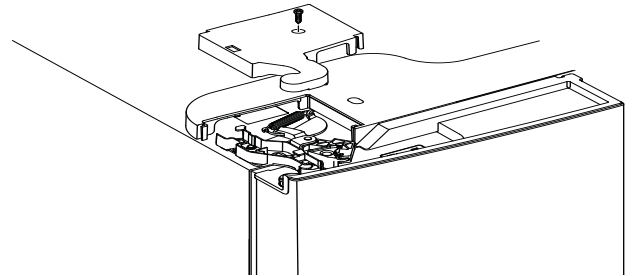
**E.** Enchufe los conectores de los cables juntos y dirija el cable dentro del puerto de plástico.



**F. Para Modelos con Hielo y Agua Únicamente:** coloque la tubería de agua en el agujero y pase la misma a través del puerto de plástico hasta la parte trasera del refrigerador.. Vuelva a enchufar la tubería de agua en la unión, en la parte trasera del refrigerador. Una con cinta la tubería de agua al refrigerador.



**G.** Reemplace la tapa de la bisagra izquierda en la parte superior del refrigerador usando un destornillador Phillips.



# Instrucciones de Instalación

## INSTALACIÓN DEL REFRIGERADOR (Cont.)

### RETIRO DEL CAJÓN DEL CONGELADOR (en algunos modelos)

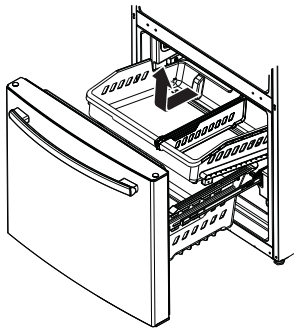
#### NOTAS IMPORTANTES

Al retirar el cajón del congelador:

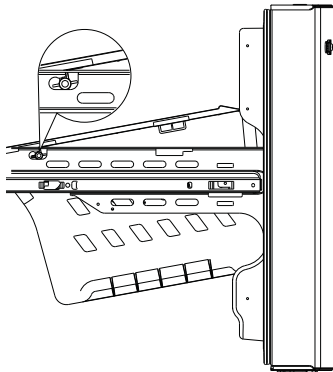
- Lea las instrucciones completamente antes de comenzar.
- Cuenten con una superficie de trabajo donde las puertas no se rayen.

#### 1 RETIRE LAS CANASTAS

- A. Abra el cajón del congelador hasta que se detenga.
- B. Empuje la canasta superior hacia fuera hasta que se detenga. Levante la canasta hacia arriba sobre el frente y hacia fuera para retirar la misma.

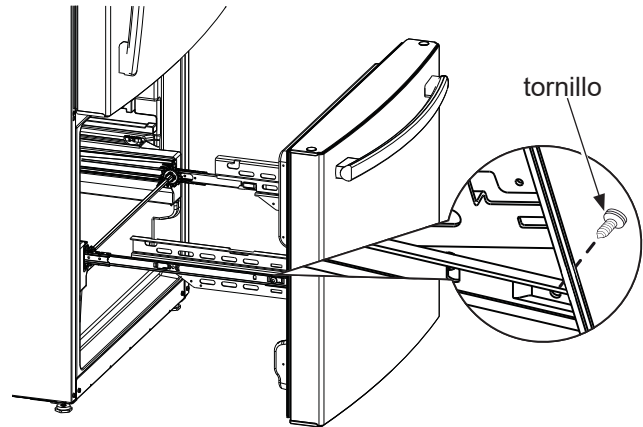


- C. La canasta inferior se apoya sobre una estructura dentro del cajón del congelador. Levante el frente de la canasta y empuje la misma hacia delante. Libere los pernos de las ranuras de las estructuras para retirar la canasta.

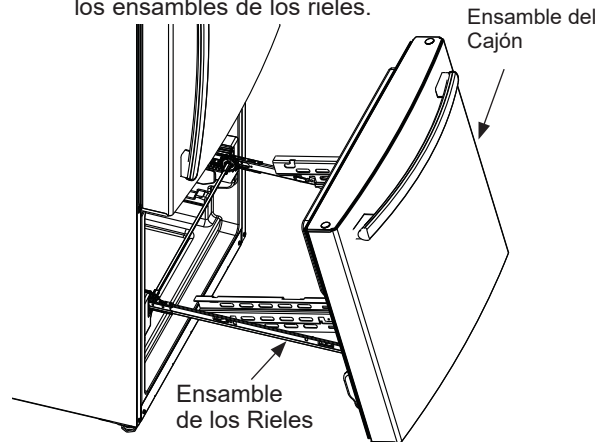


#### 2 RETIRE EL FRENTE DEL CAJÓN

- A. Retire el tornillo que está a cada lado de los rieles.



- B. Levante sobre ambos lados de la manija del cajón del congelador para separar los rieles del cajón de los ensambles de los rieles.



- C. Configure el frente del cajón en una superficie antirayaduras.e.
- D. Vuelva a empujar los ensambles de los rieles hasta su posición de bloqueo.

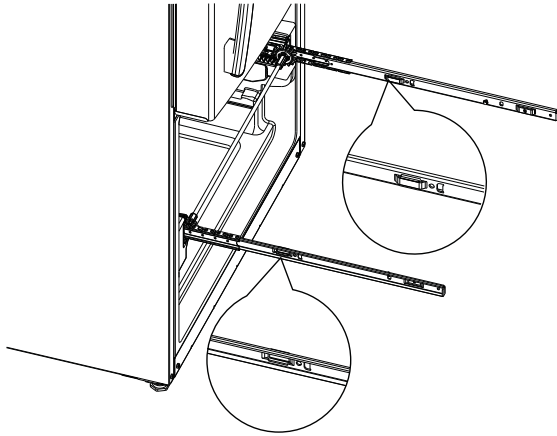
# Instrucciones de Instalación

## INSTALACIÓN DEL REFRIGERADOR (Cont.)

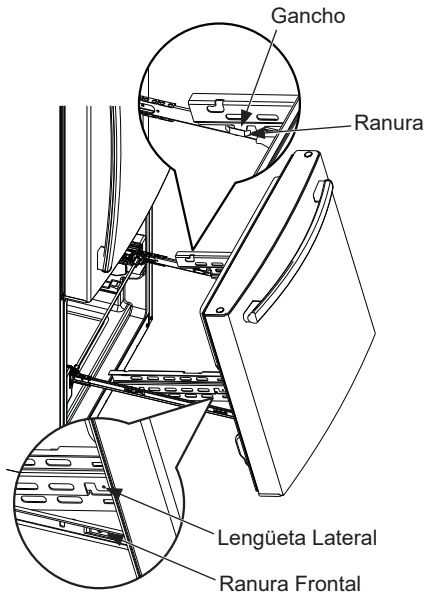
### RETIRO DEL CAJÓN DEL CONGELADOR (en algunos modelos) (Cont.)

#### 3 REINSTALACIÓN DEL FRENTE DEL CAJÓN DEL CONGELADOR

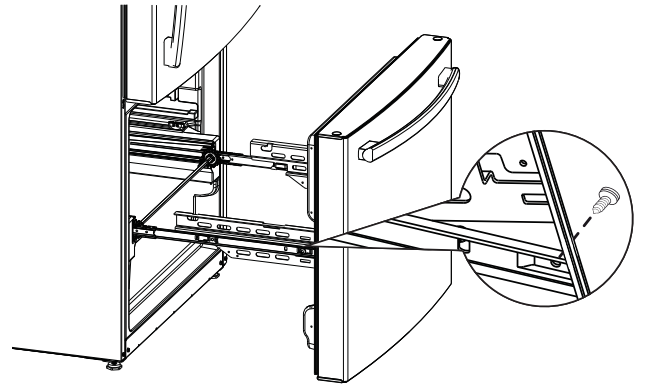
- A. Empuje los ensambles de los rieles hasta la extensión máxima.
- B. Ubique las ranuras en la parte interna de cada riel.



- C. Inserte los ganchos sobre los extremos de las extensiones de los ensambles del cajón en las ranuras cercanas a la parte trasera de las correderas.



- D. Baje el extremo frontal del ensamble del cajón del congelador, de modo que las lengüetas laterales coincidan con las ranuras frontales de los ensambles de las correderas.
- E. Reemplace los tornillos de seguridad a ambos lados de los ensambles de las correderas.



- F. Reemplace las canastas inferior y superior (consulte la sección Cajón del congelador, página 13).



# Instrucciones de Instalación

## INSTALACIÓN DEL REFRIGERADOR (Cont.)

### INVERSIÓN DE LA PUERTA (en algunos modelos)

#### ⚠️ ADVERTENCIA

Siga todos los pasos al invertir la dirección de apertura de la puerta. Si no se siguen estas instrucciones, dejando piezas sin uso o ajustando tornillos en exceso, esto podrá hacer que la puerta se caiga y producir lesiones y daños sobre la propiedad.

#### NOTAS IMPORTANTES

Al invertir las puertas:

- Lea las instrucciones completamente antes de comenzar.
- Logotipo, manijas, tapones y manija derecha están incluidos dentro del refrigerador (en algunos modelos).
- Coloque los tornillos en sus partes relacionadas, a fin de evitar su uso en los lugares equivocados.
- Cuenten con una superficie de trabajo donde las puertas no se rayen.

#### ⚠️ PRECAUCIÓN

#### Riesgo al Levantar la

**Puerta.** Si es levantada por una sola persona, podrían ocasionarse lesiones. Solicite ayuda al sostener, mover o levantar las puertas del refrigerador.

**NOTA:** Al retirar la puerta, a fin de evitar daños sobre la puerta y la parte electrónica, coloque con cuidado la puerta en una ubicación adecuada.

**NOTA:** El perno de la bisagra inferior de la puerta y la bisagra poseen tamaños proporcionales y se los debe encajar correctamente para que la puerta se cierre sola. Siga las instrucciones con cuidado.

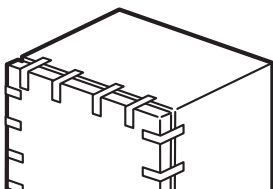
La puerta del congelador es pesada. Use ambas manos para asegurar la puerta antes de levantar la misma.

#### ⚠️ ADVERTENCIA

A fin de eliminar el riesgo de descarga eléctrica o lesión durante la instalación, primero deberá desenchufar el refrigerador antes de proceder. Si no se siguen estas instrucciones, se podrá producir una descarga eléctrica.

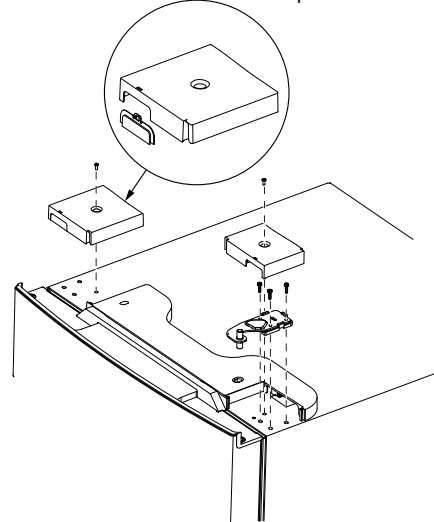
### 1 RETIRO DE LAS PUERTAS DEL REFRIGERADOR

- A. Coloque cinta de mascarar en el cierre de la puerta.

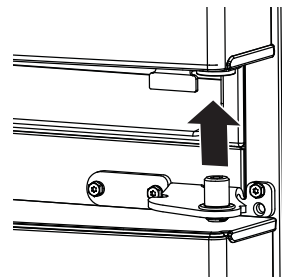


### 1 RETIRO DE LAS PUERTAS DEL REFRIGERADO (Cont.)

- B. Retire las tapas de las bisagras derecha e izquierda en la parte superior del refrigerador usando un destornillador Phillips



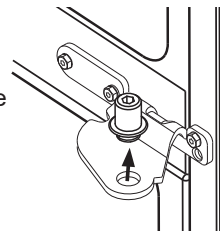
- C. Usando una llave de tubo/ destornillador de 5/16", retire los tornillos que aseguran la bisagra superior al gabinete. Levante la bisagra de forma recta hacia arriba para retirarla.



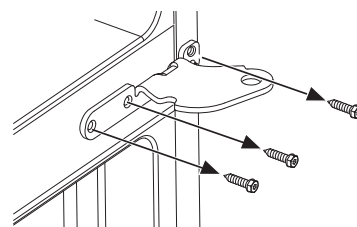
- D. Retire la cinta e incline la puerta de refrigerador alejada del gabinete. Retire la puerta levantando la misma del perno de la bisagra central.
- E. Ajuste la puerta de refrigerador sobre una superficie antirayaduras con la parte interna hacia arriba.

#### Para Modelos con un CAJÓN de Congelador:

- F. Usando una llave Allen de 1/4", retire el perno de la bisagra desde el soporte de la bisagra. El perno de la bisagra se usará nuevamente del lado opuesto



- G. Usando una llave de tubo/ destornillador de 5/16" retire los tornillos que aseguran la bisagra central al gabinete.

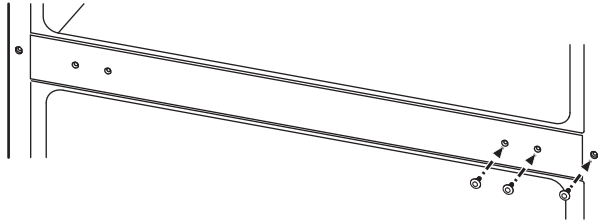


# Instrucciones de Instalación

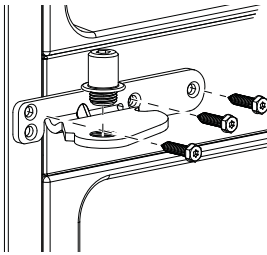
## INSTALACIÓN DEL REFRIGERADOR (Cont.)

### 1 RETIRO DE LAS PUERTAS DEL REFRIGERADO (Cont.)

H. Retire los enchufes inferiores del lado izquierdo del gabinete a través del área por donde el soporte de la bisagra estaba ubicado e instale los agujeros donde el soporte fue retirado.



I. Dé vuelta el soporte de la bisagra central e instale el mismo del lado izquierdo del gabinete, donde los enchufes del botón fueron retirados

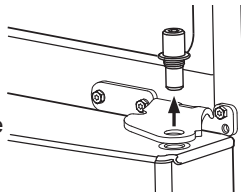


J. Usando una llave Allen de 1/4", instale el perno de la bisagra en el soporte central de la bisagra.

**Para Modelos con una PUERTA de Congelador:**

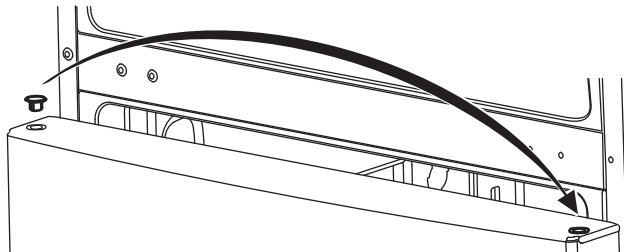
F. Coloque cinta en el área de cierre de la puerta del congelador.

G. Usando una llave Allen de 1/4", retire el perno de la bisagra desde el soporte de la bisagra. El perno de la bisagra se usará nuevamente del lado opuesto.



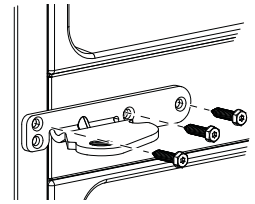
H. Retire la cinta e incline la puerta para retirarla del gabinete. Retire la puerta levantando la misma del perno de la bisagra inferior.

I. Usando el destornillador de punta delgada, retire el enchufe del botón del lado superior izquierdo de la puerta e instale el mismo del lado opuesto.

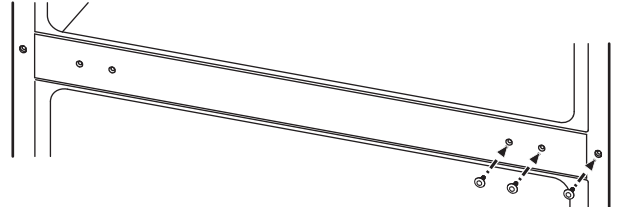


J. Ajuste la puerta en una superficie antirayaduras con la parte interna hacia arriba.

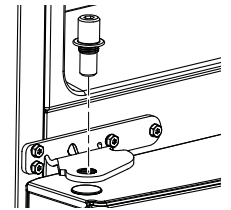
K. Usando una llave de tubo/ destornillador de 5/16", retire los tornillos que aseguran la bisagra central al gabinete.



L. Ubique los enchufes del botón en el kit e instale los mismos del lado opuesto de la bisagra central.

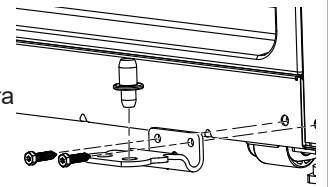


M. Dé vuelta el soporte de la bisagra central. Usando una llave de tubo/ destornillador de 5/16", instale el tornillo de la bisagra central del lado izquierdo del gabinete y ajuste a 60 pulg/lb (6.78 Nm).

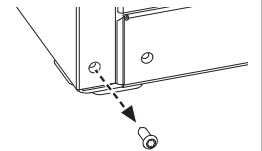


N. Usando una llave Allen de 1/4", instale el perno de la bisagra en el soporte central de la bisagra. No permita que el perno atraviese la parte inferior del soporte.

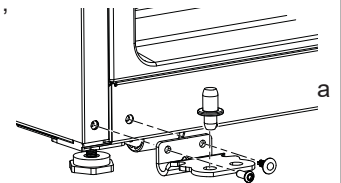
O. Usando una llave de tubo/ destornillador de 5/16", retire los tornillos del soporte de la bisagra inferior. Estos serán reinstalados del otro lado. Empuje hacia arriba el perno de la bisagra para retirar el mismo.



P. Con un destornillador Torx T-20, retire el tornillo del gabinete e instale el mismo del otro lado.



Q. Usando una llave de tubo/ destornillador de 5/16", instale el soporte de la bisagra inferior y ajuste los tornillos 60 pulg/lb. Vuelva a montar la bisagra y el perno en el agujero opuesto del gabinete.



# Instrucciones de Instalación

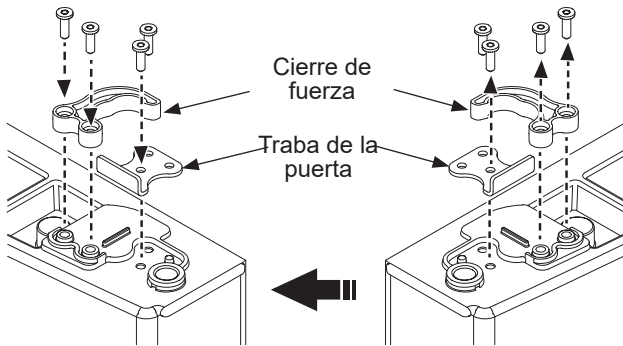
## INSTALACIÓN DEL REFRIGERADOR (Cont.)

### ⚠️ ADVERTENCIA

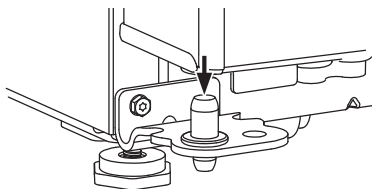
Siga todos los pasos al invertir la dirección de apertura de la puerta. Si no se siguen estas instrucciones, dejando piezas sin uso o ajustando tornillos en exceso, esto podrá hacer que la puerta se caiga y producir lesiones y daños sobre la propiedad.

### 2 VUELVA A INSTALAR LA PUERTA

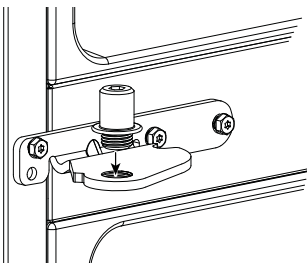
- Usando un destornillador Torx T-20, retire los tornillos que aseguran la traba de la puerta en la parte inferior derecha de la puerta.
- Usando un destornillador Torx T-20, retire el cierre de fuerza plástico en la parte inferior derecha de la puerta.
- Usando un destornillador Torx T-20, retire el cierre de fuerza plástico en la parte inferior derecha de la puerta.
- Instale la traba de la puerta en la parte inferior izquierda de la puerta.



- Baje la puerta del congelador y asegúrese de insertar el perno de la bisagra en el agujero inferior de la puerta.

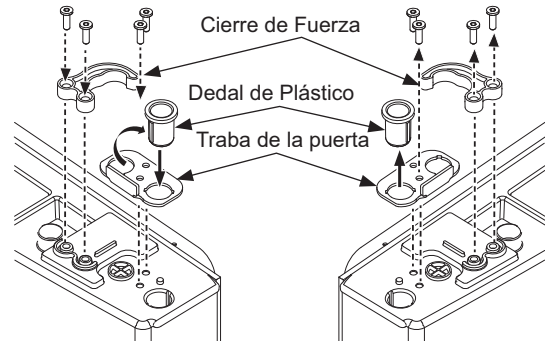


- Ajuste la puerta y alinee la misma con el soporte de la bisagra central. Usando una llave Allen de 1/4", gire el perno de la bisagra hasta que se extienda a través del soporte de la bisagra y hasta la puerta.

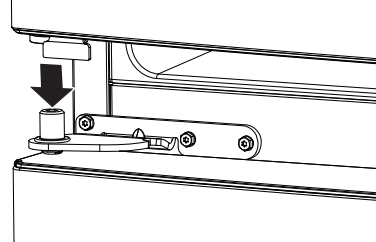


### 3 VUELVA A INSTALAR LA PUERTA DE REFRIGERADOR

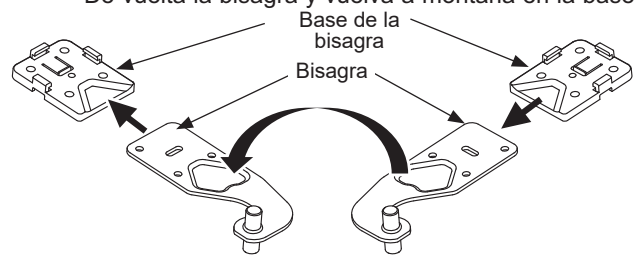
- Usando un destornillador Torx T-20, retire los tornillos que aseguran la traba de la puerta en la parte inferior derecha de la puerta.



- Transfiera el dedal de plástico al agujero opuesto. Instale la traba de la puerta con el dedal de plástico del lado opuesto.
- Usando un destornillador Torx T-20, retire el cierre de fuerza plástico en la parte inferior derecha de la puerta.
- Dé vuelta el cierre de fuerza de plástico y monte el mismo en la parte inferior izquierda de la puerta.
- Instale la traba de la puerta en la parte inferior izquierda de la puerta.
- Baje la puerta de refrigerador y asegúrese de insertar el perno de la bisagra en el agujero inferior de la puerta.



- Retire la base de la bisagra de la bisagra misma. Dé vuelta la bisagra y vuelva a montarla en la base.



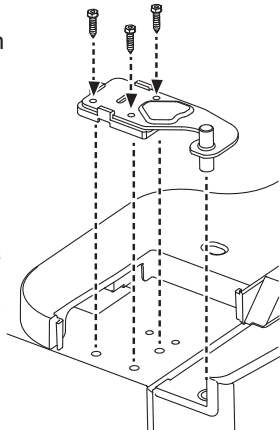
# Instrucciones de Instalación

## INSTALACIÓN DEL REFRIGERADOR (Cont.)

### 3 VUELVA A INSTALAR LA PUERTA DE REFRIGERADOR (Cont.)

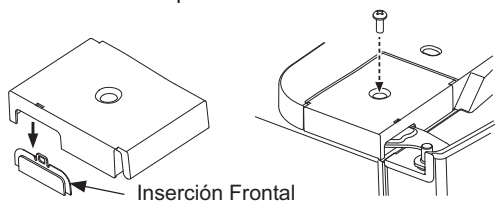
H. Inserte el perno de la bisagra inferior en el agujero de la parte superior izquierda de la puerta de refrigerador. Asegúrese de que la puerta esté alineada con el gabinete. Adhiera la bisagra a la parte superior del gabinete sin apretar, con los tornillos que fueron retirados previamente.

Asegúrese de que la junta de la puerta esté nivelada contra el gabinete y que no esté doblada. Apoye la puerta del lado de la manija y asegúrese de que quede recta y que el espacio entre las puertas esté nivelado a lo largo del frente. Al sostener la puerta en su posición, ajuste los tornillos a 60 pulg/lb. (6.78 Nm).

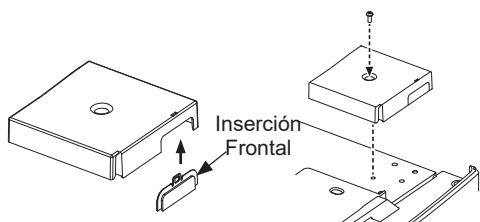


**Para Modelos con un CAJÓN de Congelador:**

I. Retire la inserción frontal desde la tapa de la bisagra izquierda. Instale la tapa de la bisagra izquierda usando un destornillador Phillips y el tornillo retirado previamente.



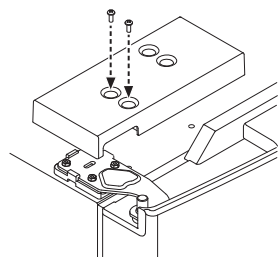
J. Instale la inserción frontal en la tapa de la bisagra derecha. Instale la tapa de la bisagra derecha usando un destornillador Phillips y los tornillos



retirados previamente.

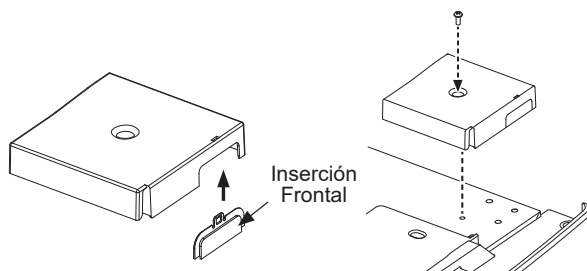
**Para Modelos con una PUERTA de Congelador:**

I. Ubique la tapa de la bisagra frontal incluida con el kit. Usando un destornillador Phillips, instale la tapa con los tornillos provistos.



### 3 VUELVA A INSTALAR LA PUERTA DE REFRIGERADOR (Cont.)

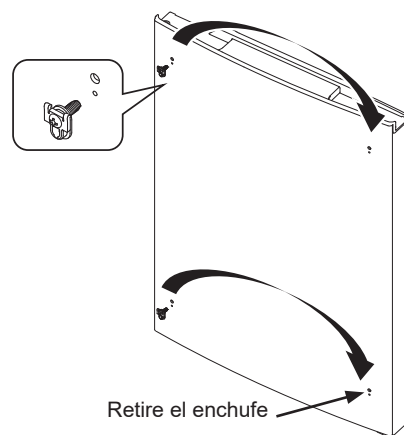
J. Ubique la inserción de la tapa de la bisagra derecha incluida con el kit e instale la misma.



K. Usando un destornillador Phillips, instale la tapa de la bisagra derecha con los tornillos provistos.

### 4 TRANSFIERA LOS TENSORES DE MONTAJE DE LA MANIJA

- A. Retire el enchufe del agujero inferior derecho.
- B. Usando un destornillador Phillips, retire los tornillos que sostienen los soportes de montaje del lado izquierdo e instale los mismos del lado derecho.



### 5 INSTALACIÓN DE LA INSIGNIA DEL LOGO

- A. Ubique la nueva insignia del logo del kit. Retire el papel autoadhesivo y alinee los pernos de la parte trasera de la insignia con los agujeros de la puerta. Aplique presión sobre la insignia para asegurar que se adhiera a la puerta.
- B. Ubique el enchufe del botón del kit e instale el mismo del lado opuesto de la manija.



# Instrucciones de Instalación

## INSTALACIÓN DEL REFRIGERADOR (Cont.)

### CONEXIÓN DEL REFRIGERADOR AL SUMINISTRO DE AGUA DEL HOGAR (Modelos con máquina de hielo únicamente)

Se requiere un suministro de agua fría para el funcionamiento de la máquina de hielos automática. Si no se cuenta con un suministro de agua fría, se deberá proveer uno. Consulte la sección de Instalación del Suministro de Agua.

**NOTAS:**

- Antes de realizar la conexión al refrigerador, asegúrese de que el cable de corriente del mismo no se encuentre enchufado al tomacorriente.
- Si su refrigerador no cuenta con un filtro de agua, le recomendamos que instale uno si el suministro de agua posee arena o partículas que podrían atascar la rejilla de la válvula de agua del refrigerador. Instale el mismo en la tubería de agua más cercana al refrigerador. Si usará el Kit de Tuberías para Refrigeradores de SmartConnect™, necesitará una tubería adicional (WX08X10002) para realizar la conexión al filtro. No corte la tubería de plástico para instalar el filtro.
- Antes de conectar la tubería de agua al hogar, purgue la tubería del hogar durante por lo menos 2 minutos.

**A. Si usará una tubería de cobre,** coloque una tuerca de compresión y una abrazadera de refuerzo (manga) en el extremo de la tubería proveniente del suministro de agua fría del hogar.

**Si usará tuberías de SmartConnect™,** las tuercas ya se encontrarán ensambladas en la tubería.

**B. Si usará tuberías de cobre,** inserte el extremo de la tubería en la conexión del refrigerador, en la parte trasera del refrigerador, lo más lejos posible. Al sostener la tubería, ajuste la unión.

**Si usará tuberías de SmartConnect™,** inserte el extremo moldeado de la tubería en la conexión del refrigerador, en la parte trasera del refrigerador, y ajuste la tuerca de compresión hasta que quede ajustada manualmente. Luego realice un ajuste adicional con un giro de llave. Un ajuste excesivo puede ocasionar pérdidas.

**C. Ajuste la tubería en la abrazadera** provista para sostener la misma en la posición correcta. Será necesario que abra la abrazadera haciendo palanca.

Una de las siguientes ilustraciones se verá como la conexión de su refrigerador.

**⚠ ADVERTENCIA**

Realice la conexión a un suministro de agua potable únicamente.

Se requiere un suministro de agua fría para el funcionamiento de la máquina de hielos automática. La presión del agua deberá estar entre 40 y 120 psi (275-827 kilopascales).

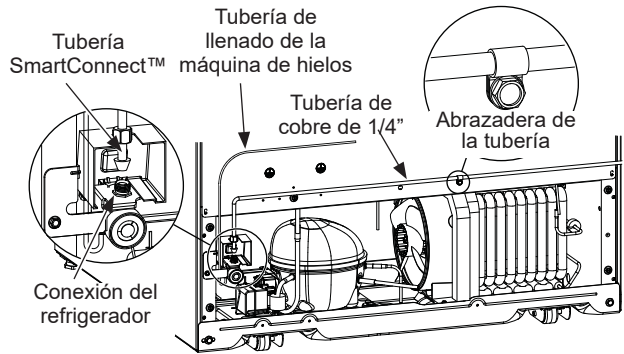
**⚠ ADVERTENCIA**



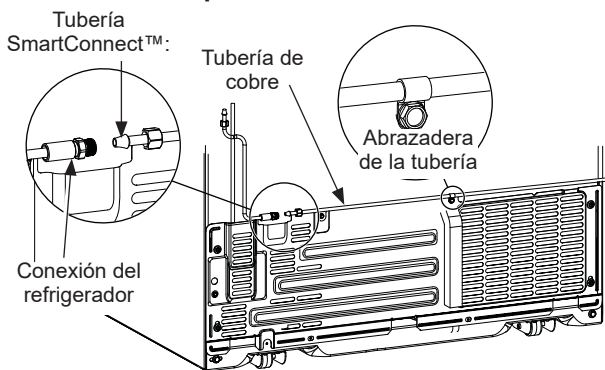
**PELIGRO DE DESCARGA ELÉCTRICA**

Adhiera la abrazadera de la tubería usando el agujero existente únicamente. NO perforo el refrigerador.

#### Modelos Preparados para Máquina de Hielos



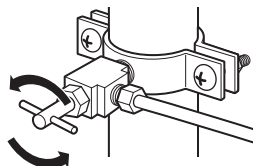
#### Modelos con Máquina de Hielos Instalada



### ABRA EL SUMINISTRO DE AGUA

#### (Modelos con máquina de hielo)

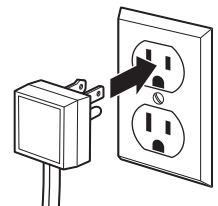
Abra el suministro de agua usando la válvula de cierre (suministro de agua hogareño) y controle que no haya pérdidas.



### ENCHUFE EL REFRIGERADOR

En modelos con máquina de hielos, antes de enchufar el refrigerador, asegúrese de que el interruptor de corriente de la máquina de hielos esté ajustado en la posición 0 (apagado).

Consulte la información de conexión a tierra adjunta al cable de corriente.





# Instrucciones de Instalación

## INSTALACIÓN DEL REFRIGERADOR (Cont.)

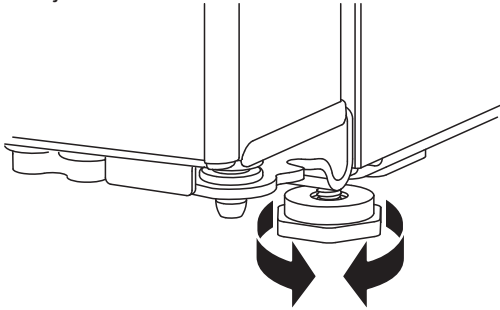
### COLOQUE EL REFRIGERADOR EN SU POSICIÓN

Mueva el refrigerador hasta su posición final.

### NIVELE EL REFRIGERADOR

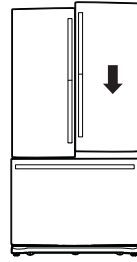
Las patas niveladoras en las esquinas frontales del refrigerador se deben ajustar de modo que el refrigerador quede posicionado de manera firme sobre el piso, y que el frente quede elevado lo suficiente como para que la puerta se cierre con facilidad cuando se abra aproximadamente hasta la mitad.

Para ajustar las patas niveladoras, gire las patas en dirección de las agujas del reloj para elevar el refrigerador, y en dirección contraria de las agujas del reloj para bajarlas.

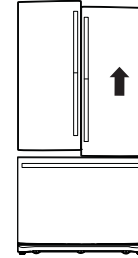


### NIVELACIÓN DE LAS PUERTAS DEL REFRIGERADOR (en algunos modelos)

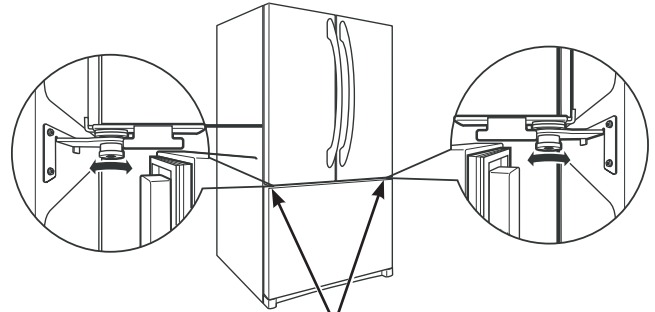
Recuerde que es necesario que el refrigerador esté nivelado para que las puertas estén perfectamente apoyadas. Si necesita ayuda, revise la sección previa sobre la nivelación del refrigerador.



Cuando la puerta izquierda está más baja que la puerta derecha.



Cuando la puerta izquierda está más alta que la puerta derecha.

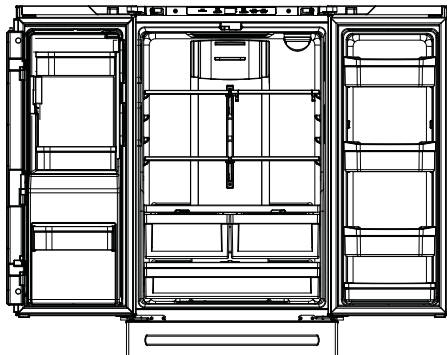


Punto de ajuste

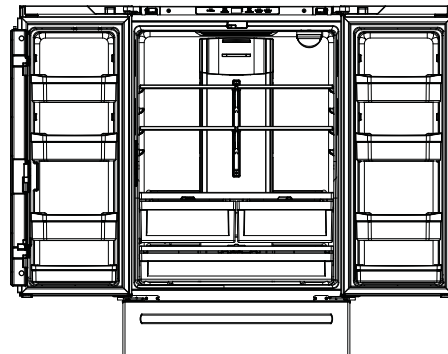
Si las puertas continúan desniveladas, gire el perno ajustable para elevar la puerta inferior usando una llave Allen de 1/4" para girar el perno.

### Ensamble sugerido del refrigerador

Se muestran los estantes en la ubicación para una mayor eficiencia energética.



**Modelos GYE18J, PYE18H**  
18 cuft. Models  
Puerta Francesa con Cajón del Congelador



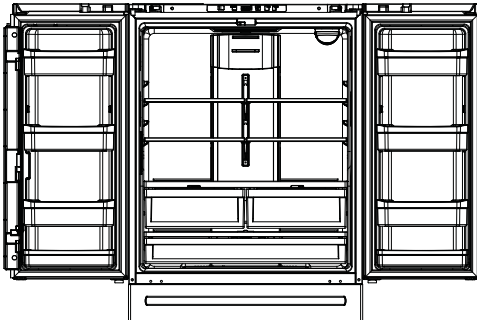
**Modelos GWE19J**  
19 cuft. Puerta Francesa con Cajón del Congelador



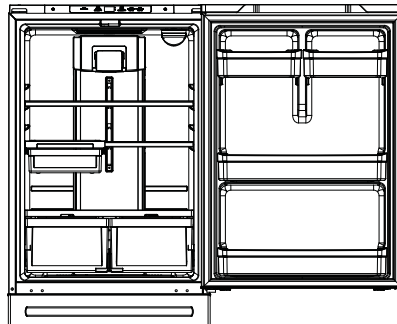
# Instrucciones de Instalación

## Ensamble sugerido del refrigerador (cont.)

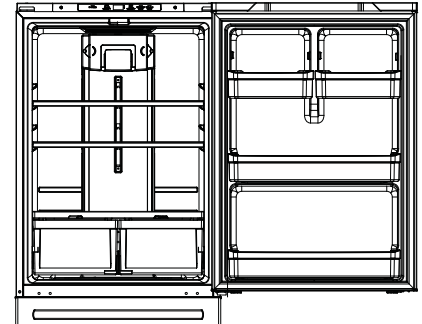
Se muestran los estantes en la ubicación para una mayor eficiencia energética.



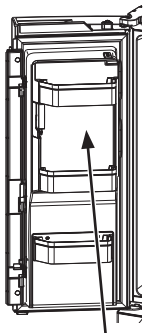
**Modelos GNE21D, GNE21F,  
PNE21K, PNE21N**  
21 cuft. Puerta Francesa con Cajón  
del Congelador



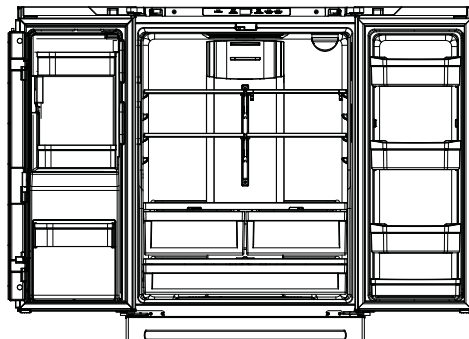
**Modelos GDE21D, GDE21E,  
PDE21K, GDE25E**  
21, 25 cuft. Una Sola Puerta con  
Cajón del Congelador



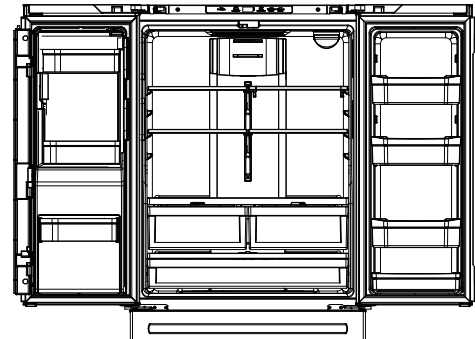
**Modelos GBE21D, GBE21A**  
21 cuft. Una Sola Puerta con  
Puerta del Congelador



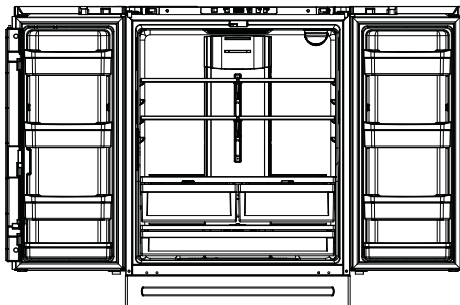
La máquina de  
hielos en la puerta  
está disponible en  
los 24 y 26 modelos  
con puerta francesa.



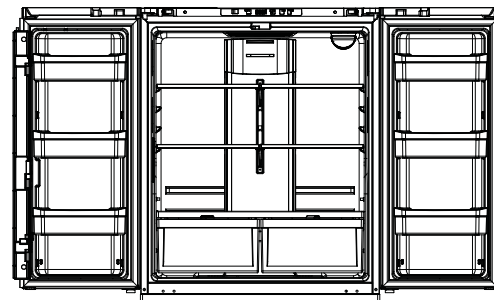
**Modelos GFE24J, PFE24J, CFE24S,  
PFE24H** 24 cuft. Puerta Francesa  
con Cajón del Congelador



**Modelos GFE26J**  
26 cuft. Puerta Francesa  
con Cajón del Congelador



**Modelos GNE25D, GNE25J, PNE25J,  
CNE25S, PNE25N, GNE27J**  
25, 27 cuft. Puerta Francesa con  
Cajón del Congelador



**Modelos GNE27E**  
27 cuft. Puerta Francesa con  
Cajón del Congelador

# Instrucciones de Instalación

## INSTALACIÓN DE LA TUBERÍA DE AGUA

### ANTES DE COMENZAR

Los kits de suministro de agua de cobre recomendados son WX8X2, WX8X3 o WX8X4, dependiendo de la cantidad de tubería necesaria. Las tuberías de suministro de agua de plástico aprobadas son las Tuberías para Refrigeradores de SmartConnect™ (WX08X10006, WX08X10015 y WX08X10025).

Al conectar su refrigerador a un Sistema de Agua por Ósmosis Inversa de GE Appliances, la única instalación aprobada es con el Kit GE Appliances RV. Con otros sistemas de agua por ósmosis inversa, siga las recomendaciones del fabricante.

Si el suministro de agua al refrigerador es de un Sistema de Filtración de Agua por Ósmosis Inversa (RO) Y el refrigerador también cuenta con un filtro de agua, use el enchufe del bypass del filtro del refrigerador. El uso del cartucho de filtración de agua del refrigerador junto con un filtro de agua RO podrá producir cubos de hielo huecos. Algunos modelos no están equipados con el tapón del bypass del filtro. Para obtener un tapón del bypass del filtro, llame al 800-GECARES. En Canadá, llame al 800.561.3344.

Esta instalación de la tubería de agua no posee garantía del fabricante del refrigerador o de la máquina de hielos. Siga estas instrucciones con cuidado, a fin de minimizar el riesgo de daños costosos a causa del agua.

Los golpes de ariete (agua que golpea las tuberías) en la plomería del hogar pueden ocasionar daños sobre las piezas del refrigerador y generar pérdidas de agua o inundación. Llame a un plomero calificado para corregir los golpes de ariete antes de instalar la tubería de suministro de agua al refrigerador.

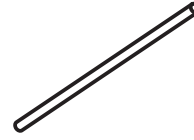
A fin de evitar quemaduras y daños sobre los productos, no adhiera la tubería de agua a la tubería de agua caliente.

No instale la tubería de la máquina de hielos en áreas donde las temperaturas sean inferiores a las de congelación.

Al usar cualquier dispositivo eléctrico (tal como un taladro eléctrico) durante la instalación, asegúrese de que el mismo posea un doble aislante o que esté conectado a tierra de modo que se prevenga el riesgo de descargas eléctricas, o que esté alimentado por medio de una batería.

Todas las instalaciones deberán ser acordes con los requisitos del código de plomería local.

### LO QUE NECESITARÁ



- Kit de Tubería para Refrigerador de Cobre o SmartConnect™ de ¼" de diámetro externo para conectar el refrigerador al suministro de agua. Si usará cobre, asegúrese de que ambos extremos de la tubería hayan sido cortados de forma recta.

A fin de determinar cuánta tubería es necesaria: mida la distancia desde la válvula de agua en la parte trasera del refrigerador hasta la tubería del suministro de agua. Asegúrese de que haya suficiente tubería adicional para permitir que el refrigerador pueda ser retirado de la pared luego de la instalación.

Los Kits de Tuberías para Refrigerador de SmartConnect™ están disponibles en las siguientes longitudes:

6' (1.8 m)	– WX08X10006
15' (4.6 m)	– WX08X10015
25' (7.6 m)	– WX08X10025

### ▲ ADVERTENCIA

Realice la conexión a un suministro de agua potable únicamente.

Se requiere un suministro de agua fría para el funcionamiento de la máquina de hielos automática. La presión del agua deberá estar entre 40 y 120 psi (275-827 kilopascales).

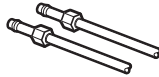
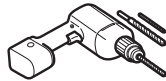
# Instrucciones de Instalación

## INSTALACIÓN DE LA TUBERÍA DE AGUA (Cont.)

### LO QUE NECESITARÁ (cont.)

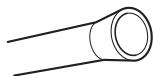
**NOTA:** La única tubería plástica de GE Appliances aprobada es aquella provista con los Kits de Tuberías para Refrigerador de SmartConnect™. No use ningún otro suministro de agua plástico, ya que el suministro se encuentra bajo presión en todo momento. Ciertos tipos de plásticos podrán sufrir fisuras o roturas con el paso del tiempo y ocasionar problemas con el agua en su hogar.

- Un kit de suministro de agua de GE Appliances (el cual cuenta con tubería, válvula de cierre y uniones que figuran en la siguiente lista) está disponible por un costo adicional a través de su vendedor minorista o de Parts and Accessories (Piezas y Accesorios), 877.959.8688 (En Canadá 1.800.661.1616).
- Un suministro de agua fría. La presión del agua deberá estar entre 20 y 120 p.s.i. (138-827 kPa).
- Taladro eléctrico.
- Llave de 1/2" o ajustable.
- Destornillador de punta plana o Phillips.
- 2 tuercas de compresión de diámetro externo de 1/4" y 2 abrazaderas de compresión (mangas) – para conectar la tubería de cobre a la válvula de cierre y a la válvula de agua del refrigerador.

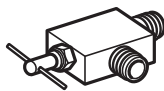


O

- Si usará un kit de Tuberías para Refrigerador de SmartConnect™, las uniones necesarias están preensambladas a la tubería.



- Si su tubería de agua de cobre existente posee una unión con avellanado en su extremo, necesitará un adaptador (disponible en las tiendas de suministros de plomería) para conectar la tubería de agua al refrigerador O puede cortar la unión con avellanado con un cortador de tubos y luego usar una unión de compresión. No corte los extremos con forma de la tubería para refrigerador de SmartConnect™.



- Válvula de cierre para conectar a la tubería de agua fría. La válvula de cierre debe tener una entrada de agua con un diámetro interno mínimo de 5/32" en el punto de conexión a la TUBERÍA DE AGUA FRÍA. Las válvulas de cierre tipo montura están incluidas en muchos kits de suministro de agua. Antes de su adquisición, asegúrese de que la válvula tipo montura cumpla con los códigos de plomería locales.

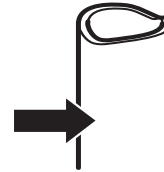
Instale la válvula de cierre en la tubería de agua potable de uso frecuente más cercana.

### 1 CIERRE EL SUMINISTRO DE AGUA PRINCIPAL

Abra el grifo más cercano que sea lo suficientemente largo como para despejar la tubería de agua.

### 2 ELIJA LA UBICACIÓN DE LA VÁLVULA

Elija una ubicación para la válvula que sea de fácil acceso. Es mejor conectar la misma en el lateral de una tubería de agua vertical. Cuando sea necesario hacer la conexión en una tubería de agua horizontal, realice la conexión a la parte superior o lateral, en vez de la parte inferior, a fin de evitar el drenaje de cualquier sedimento de la tubería de agua.

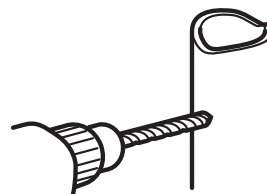


### 3 TALADRE EL AGUJERO DE LA VÁLVULA

Taladre un agujero de 1/4" en la tubería de agua (incluso si usará una válvula autopercorante), usando una punta afilada. Elimine cualquier zumbido que resulte de haber taladrado el agujero en la tubería.

Tenga cuidado de no permitir que el agua se drene en el taladro.

Si no se taladra un agujero de 1/4", se podrá ver reducida la producción de hielo o cubos de hielo más pequeños.

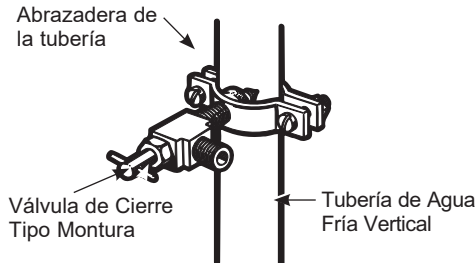


# Instrucciones de Instalación

## INSTALACIÓN DE LA TUBERÍA DE AGUA (cont.)

### 4 AJUSTE LA VÁLVULA DE CIERRE

Ajuste la válvula de cierre de la tubería de agua fría con la abrazadera de la tubería

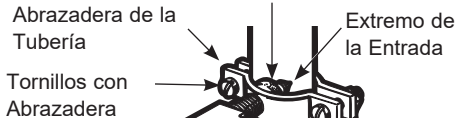


**NOTA:** Se deberá cumplir con los Códigos de Plomería del Commonwealth de Massachusetts 248CMR. Las válvulas tipo montura son ilegales y su uso está prohibido en Massachusetts. Consulte a un plomero matriculado.

### 5 AJUSTE LA ABRAZADERA DE LA TUBERÍA

Ajuste los tornillos de la abrazadera hasta que la arandela de sellado comience a hincharse.

**NOTA:** No ajuste en exceso o se podrá romper la tubería.



### 6 ENRUTE LA TUBERÍA

Conduzca la tubería entre la entrada de agua fría y el refrigerador.

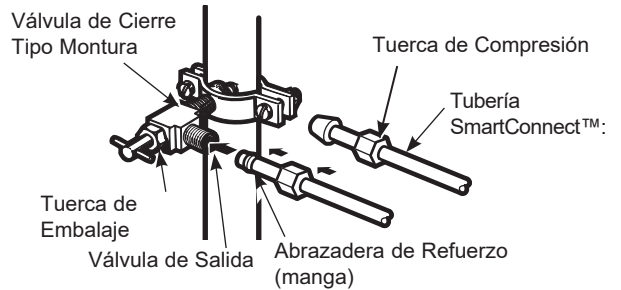
Conduzca la tubería a través de un agujero perforado en la pared o el piso (detrás del refrigerador o del gabinete con base adyacente) tan cerca a la pared como sea posible.

### 7 CONECTE LA TUBERÍA A LA VÁLVULA

Coloque la tuerca de compresión y la abrazadera de refuerzo (manga) para colocar la tubería de cobre en el extremo de la tubería y conecte la misma a la válvula de cierre.

Asegúrese de que la tubería esté completamente insertada en la válvula. Ajuste la tuerca de compresión de forma segura.

Para usar una tubería de plástico del kit de Tuberías para Refrigeradores SmartConnect™, inserte el extremo moldeado de la tubería en la válvula de cierre y ajuste la tuerca de compresión hasta que quede ajustada manualmente, y luego dé un giro de ajuste adicional con una llave. Un ajuste excesivo puede ocasionar pérdidas.



**NOTA:** Se deberán seguir los Códigos 248CMR de Plomería para el Estado de Massachusetts. Las válvulas tipo silla son ilegales y su uso no está permitido en Massachusetts. Consulte con un plomero licenciado.

### 8 DESPEJE DE LA TUBERÍA

Abra el suministro de agua principal y despeje la tubería hasta que el agua esté limpia.

Cierre el agua usando la válvula de agua luego de haber dejado correr aproximadamente un galón (1 litro), o 2 minutos, de agua a través de la tubería.



Para completar la instalación del refrigerador, vuelva al Paso 11 en la sección de Instalación del Refrigerador.

# Condiciones de funcionamiento normal

El sonido de los refrigeradores nuevos es diferente al de aquellos más antiguos.  
Los refrigeradores modernos cuentan con más funciones y utilizan una tecnología más nueva.

**¿Escuchas lo que yo escucho? Estos sonidos son normales.**

**HUMMM...**

**WHOOSH...**

- Es posible que el nuevo compresor de alta efectividad funcione más rápido y por más tiempo que aquel de su refrigerador antiguo, y es posible que escuche un zumbido o sonido de pulsación mientras está funcionando.
- Es posible que escuche sonidos de gorgoteos al cerrar las puertas. Esto se debe al equilibrio de la presión dentro del refrigerador.



- Es posible que escuche los ventiladores girar en altas velocidades. Esto sucede cuando el refrigerador se enchufa por primera vez, cuando las puertas se abren con frecuencia o cuando una gran cantidad de comida es agregada a los compartimientos del refrigerador o del congelador. Los ventiladores están ayudando a mantener las temperaturas correctas.
- Los ventiladores cambian de velocidad a fin de brindar un enfriamiento óptimo y ahorros de energía.

## SONIDOS DE CLIC, ESTALLIDOS, CRUJIDOS y CHASQUIDOS

- Es posible que escuche sonidos de crujidos o estallidos cuando se enchufe el refrigerador por primera vez. Esto sucede mientras el refrigerador se enfría hasta la temperatura correcta.
- La expansión y contracción de las bobinas de enfriamiento durante y después de la descongelación pueden producir sonidos de crujidos o estallidos.
- En los modelos con máquina de hielos, luego de un ciclo de producción de hielo, es posible que escuche los cubos de hielo caer a la hielera.
- En los modelos con dispensador, cuando se dispense el agua, es posible que escuche el movimiento de las tuberías de agua al iniciar el proceso y luego de que el botón del dispensador sea liberado.

## SONIDOS DEL AGUA



- Es posible que el flujo de refrigerante a través de las bobinas de enfriamiento produzca un gorgoteo similar al agua hirviendo.
- El agua que cae sobre el calentador de descongelamiento puede producir un sonido de chisporroteo, estallido o zumbido durante el ciclo de descongelamiento.
- Es posible que se escuche un sonido de goteo durante el ciclo de descongelación, a medida que el hielo se derrite desde el evaporador y fluye hasta la cajon de drenaje.
- Cerrar la puerta podrá provocar un sonido de burbujeo debido a la igualación de la presión.

## Consejos para la Solución de Problemas... Antes de solicitar el servicio técnico

¡Ahorre tiempo y dinero! Primero revise los cuadros que aparecen en las siguientes páginas y es posible que no necesite solicitar reparaciones.

Problema	Posibles causas	Qué hacer
El refrigerador no funciona	El refrigerador se encuentra en el ciclo de descongelamiento	Espere unos 30 minutos hasta que el ciclo de descongelamiento finalice.
	Uno o ambos controles se encuentran configurados en OFF (Apagado).	Ajuste los controles en una configuración de temperatura inferior.
	El refrigerador está desenchufado.	Presione el enchufe completamente dentro del tomacorriente.
	Se quemó el fusible/ el disyuntor está activado	Reemplace el fusible o reinicie el disyuntor.
	El refrigerador se encuentra en el modo de sala de exposición.	Desenchufe el refrigerador y vuelva a enchufarlo.
Vibración normal o ruidosa (una vibración leve es normal).	Las patas niveladoras deben ser ajustadas.	Consulte la sección de Nivelación del refrigerador.
El motor funciona durante períodos prolongados o realiza ciclos de encendido y apagado de forma frecuente. (Los refrigeradores modernos con mayor espacio de almacenamiento y un freezer más grande requieren más tiempo de funcionamiento. Se activan y se detienen con frecuencia para mantener temperaturas parejas).	Es normal cuando el refrigerador se enchufa por primera vez.	Espere 24 horas hasta que el refrigerador se enfríe completamente.
	Sucede con frecuencia cuando se colocan grandes cantidades de comida en el refrigerador.	Esto es normal.
	Se dejó la puerta abierta.	Controle que no haya paquetes que impidan que la puerta se cierre.
	Clima cálido o apertura frecuente de la puerta.	Esto es normal.
	Los controles de temperatura están configurados en la posición más fría.	Consulte la sección de Controles.
Compartimiento del refrigerador o del freezer demasiado caliente	El control de temperatura no se configuró en un nivel lo suficientemente frío.	Consulte la sección de Controles.
	Clima cálido o se abre la puerta con frecuencia.	Configure el control de temperatura un paso más frío. Consulte la sección de Controles.
	Se dejó la puerta abierta.	Controle que no haya paquetes que impidan que la puerta se cierre.
Cristales de escarcha o hielo en alimentos congelados (la escarcha dentro de paquetes es normal)	Se dejó la puerta abierta.	Controle que no haya paquetes que impidan que la puerta se cierre.
	Se abre la puerta de forma muy frecuente o por períodos demasiado largos.	Esto es normal.
El divisor de los compartimientos del refrigerador y del freezer se siente caliente	El sistema de ahorro de energía automático hace circular líquido caliente alrededor del extremo frontal del compartimiento del freezer.	Esto ayuda a evitar la condensación en la parte exterior.
La máquina de hielos automática no funciona	El interruptor de corriente de la máquina de hielos se encuentra en la posición OFF (Apagado).	Configure el interruptor de corriente en la posición ON (Encendido).
	El suministro de agua está apagado o no está conectado.	Consulte la sección sobre Instalación la Cañería de Agua.
	El compartimiento del freezer está demasiado caliente.	Espere 24 horas hasta que el refrigerador se enfríe completamente.
	Los cubos apilados en el estante de almacenamiento hacen que la máquina de hielos se apague.	Nivele los cubos en forma manual.
	Los cubos de hielo quedan atorados en la máquina de hacer hielo.	Apague la máquina de hielos, retire los cubos, y vuelva a encender la máquina de hielos.
Al enfriarse el freezer, la comida fresca no se enfría	Es normal, cuando el refrigerador se enchufa por primera vez o luego de un corte de corriente prolongado	Espere 24 horas para que en ambos compartimientos se alcancen las temperaturas seleccionadas.
El dispensador de hielo se abre luego de cerrar el cajón del freezer (en algunos modelos)	Normal	La puerta del dispensador de hielo se podrá abrir luego de cerrar la puerta del freezer para permitir el acceso.
Los cubos de hielo tienen olor/ gusto	Es necesario limpiar los estantes de almacenamiento de hielo.	Vacíe y lave el estante. Descarte los cubos viejos.
	La comida transmite olor/ gusto a los cubos de hielo.	Envuelva bien las comidas.
	Es necesario limpiar el interior del refrigerador.	Consulte la sección de Cuidado y Limpieza.



## Consejos para la Solución de Problemas... Antes de solicitar el servicio técnico

Problema	Posibles causas	Qué hacer
Cubos pequeños o huecos	Filtro de agua obstruido.	Reemplace el cartucho del filtro por un cartucho nuevo con el enchufe.
Congelamiento lento de los cubos de hielo	Se dejó la puerta abierta.	Controle que no haya paquetes que impidan que la puerta se cierre.
	Controle que no haya paquetes que impidan que la puerta se cierre.	Consulte la sección de Controles.
"Sonido de zumbido" frecuente	El interruptor de la máquina de helos se encuentra en la posición I (Encendido), pero el suministro de agua al refrigerador no fue conectado.	Configure el interruptor en la posición 0 (Apagado). Mantenerlo en la posición I (Encendido) dañará la válvula de agua.
Brillo anaranjado en el freezer	El calentador de descongelamiento se encuentra encendido.	Esto es normal.
El agua tiene mal gusto/ olor	El dispensador de agua no fue usado durante un tiempo prolongado.	Dispense agua hasta que toda el agua en el sistema sea repuesta.
El agua del primer vaso está caliente	Es normal cuando el refrigerador es instalado por primera vez.	Espere 24 horas hasta que el refrigerador se enfríe completamente.
	El dispensador de agua no fue usado durante un período de tiempo prolongado.	Dispense agua hasta que toda el agua del sistema sea repuesta.
	El sistema de agua fue drenado.	Espere varias horas hasta que el suministro repuesto se haya enfriado.
El dispensador de agua no funciona	Suministro de agua apagado o no conectado.	Lea la sección de Instalación de la cañería de agua
	Filtro de agua tapado.	Reemplace el cartucho del filtro o remueva el filtro e instale el tapón.
	Aire atrapado en el sistema del agua.	Presione el brazo del dispensador por un par de minutos.
	El dispensador está en LOCKED (Bloqueado).	Mantenga presionada la tecla LOCK (Bloqueo) durante 3 segundos.
El agua chorrea del dispensador	Cartucho del filtro recién instalado.	Deje correr agua del dispensador durante 3 minutos (aproximadamente un galón y medio).
El agua no es dispensada pero la máquina de hielo está funcionando	El agua de la reserva está congelada.	Llame al servicio técnico.
	La configuración del control del refrigerador está graduada demasiado fría.	Modifique la configuración a una posición más caliente.
No sale agua y la máquina de hielo no funciona	Está tapada la línea de agua o la llave de paso.	Llame a un plomero.
	Filtro de agua tapado.	Reemplace el cartucho del filtro o remueva el filtro e instale el tapón.
El refrigerador huele	Alimentos transmitiendo olores al refrigerador.	Alimentos con olores fuertes deben estar tapados. Guarde una caja de bicarbonato de sodio en el refrigerador; cámbiela cada tres meses.
	El interior requiere limpieza.	Lea la sección de Cuidado y limpieza
Se forma humedad en la superficie del refrigerador	No es extraño durante periodos de alta humedad.	Seque la superficie
Humedad se forma al interior (en clima húmedo, el aire lleva la humedad al refrigerador cuando las puertas se abren)	Aperturas de puerta frecuentes o por mucho tiempo.	Esto es normal.
	Debido al alto nivel de humedad en el refrigerador, es posible que ocasionalmente se empañe o que se produzcan pequeñas cantidades de humedad en el compartimiento del refrigerador.	Esto es normal y puede variar dependiendo de las cantidades de comida y condiciones climáticas. Seque con una toalla de papel si lo desea.
La luz interna no funciona	No hay corriente en el tomacorriente.	Reemplace el fusible o reinicie el interruptor de protección.
	Para luces LED	Llame al servicio técnico - ver Reemplazo de las Luces

## Consejos para la Solución de Problemas... Antes de solicitar el servicio técnico

¡Ahorre tiempo y dinero! Primero revise los cuadros que aparecen en las siguientes páginas y es posible que no necesite solicitar reparaciones.

Problema	Posibles causas	Qué hacer
Aire caliente de la parte de abajo del refrigerador	Flujo de aire que está enfriando al motor. En el proceso de refrigeración, es normal que salga calor de la parte inferior del refrigerador. Algunas cubiertas de piso son sensibles y se decolorarán ante estas temperaturas normales y seguras.	Esto es normal.
El refrigerador nunca se apaga pero las temperaturas están bien	La descongelación adaptable mantiene el compresor funcionando durante las aperturas de la puerta.	Esto es normal. El refrigerador concluirá su ciclo cuando la puerta permanezca cerrada durante 2 horas
El refrigerador emite un sonido	La puerta está abierta.	Cierre la puerta.
La puerta no cierra correctamente	La junta de la puerta del lado de la bisagra se está adhiriendo o doblando.	Aplique parafina sobre la cara de la junta.
La temperatura real no es equivalente a la temperatura configurada	La unidad se acaba de enchufar.	Espere 24 horas hasta que el sistema se estabilice.
	La puerta se mantuvo abierta durante demasiado tiempo.	Espere 24 horas hasta que el sistema se estabilice.
	Se agregó comida caliente al refrigerador.	Espere 24 horas hasta que el sistema se estabilice.
	El ciclo de descongelamiento está en proceso.	Espere 24 horas hasta que el sistema se estabilice.
La puerta/gaveta no se cierra sola	Las patas niveladoras necesitan ajuste.	Consulte la Bivele el refrigerador
La puerta/gaveta del congelador se abre cuando la puerta del refrigerador está cerrada	Esto es normal si después de abrirse, la puerta/ gaveta del congelador se cierra sola.	Esto indica que hay un buen sellante en la puerta/ gaveta del congelador. Si la puerta/gaveta del congelador no se cierra automáticamente después de abrirse, entonces consulte la sección anterior, <b>Problema:</b> La puerta/gaveta del refrigerador no se cierra sola.
La comida se congela en el refrigerador	La comida está demasiado cerca de la ventilación de aire, en la parte trasera del refrigerador.	Aleje la comida de la ventilación de aire.
	El control del refrigerador está ajustado demasiado frío.	Mueva el control del refrigerador a una configuración de temperatura más alta, realizando un incremento a la vez.
El agua se está fugando del dispensador	El vaso no está siendo sostenido debajo del dispensador por suficiente tiempo después de que el botón es liberado.	Sostenga el vaso debajo del dispensador por 2 ó 3 segundos después de liberar el botón del dispensador. El agua podría continuar dispensándose después de que el botón sea liberado.
	Puede haber aire presente en el sistema de la tubería del agua que causa que el agua gotee después de que el agua se haya dispensado.	Dispense agua por al menos 2 minutos para retirar el aire del sistema.
La pantalla muestra <b>tc</b>	La función TurboCool se encuentra activada.	Ver las secciones Controles
La luz del indicador del filtro de agua cambió de color	Esto es normal.	Ver Acerca del cartucho del filtro de agua XWF
La luz del indicador del filtro de agua continúa roja aún después de haber cambiado el filtro de agua	El indicador de filtro de agua debe resetearse.	Presione y sostenga por 3 segundos la tecla WATER FILTER. Ver Acerca del cartucho del filtro de agua XWF.
La luz del indicador del filtro de agua no está encendida	Esto es normal. Cuando la luz se vuelva roja, deberá de hacer el cambio de filtro.	Ver Acerca del cartucho del filtro de agua XWF
La manija está floja / la manija tiene una brecha	La manija debe ajustarse.	Ver las secciones Cómo sujetar la manija del compartimento de alimentos frescos y Cómo sujetar la manija del congelador
Las puertas del refrigerador no están parejas (en modelos de Puerta Francesa únicamente)	Es necesario realinear las puertas.	Consulte la sección de Nivelación de las Puertas del Refrigerador.
Consulte la sección de Nivelación de las Puertas del Refrigerador.	Las canastas están demasiado llenas.	<b>Para abrir:</b> retire algunos de los productos desde la canasta cuando se abra tanto como sea posible. Vuelva a ajustar los productos que quedaron en la canasta e intente abrir esta última nuevamente. Para cerrar: Vuelva a ajustar los productos de la canasta o retire cualquier producto que se encuentre sobre el borde de la canasta y cierre la misma.

# GE Appliances Garantía del Refrigerador

**GARANTÍA**

## GEAppliances.com

Todo el servicio de garantía es provisto por nuestros Centros de Servicio de Fabricación, o un técnico autorizado de Servicio al Cliente (Customer Care®). Para programar una visita del servicio técnico, visítenos en GEAppliances.com, o comuníquese al 800.GE.CARES (800.561.3344). Cuando llame para solicitar el servicio, tenga los números de serie y modelo disponibles.

Para realizar el servicio técnico de su refrigerador se podrá requerir el uso de datos del puerto de abordaje para su diagnóstico. Esto da al técnico del Servicio de Fábrica de GE Appliances la habilidad de diagnosticar de forma rápida cualquier problema con su electrodoméstico, y de ayudar a GE Appliances a mejorar sus productos al brindarle a GE Appliances la información sobre su electrodoméstico. Si no desea que los datos de su electrodoméstico sean enviados a GE Appliances, solicitamos que le indique a su técnico NO entregar los datos a GE Appliances en el momento del servicio.

Por el período de	GE Appliances reemplazará:
<b>Un Año</b> Desde la fecha de la compra original	<b>Cualquier parte</b> del refrigerador que falle debido a un defecto en los materiales o la fabricación. Durante esta <b>garantía limitada de un año</b> , GE Appliances también proveerá, <b>sin costo</b> , todo el trabajo y el servicio relacionado con el reemplazo de la parte que presente defectos.
<b>Treinta Días</b> (Filtro de Agua, si está incluido) Desde la fecha de la compra original del refrigerador	<b>Cualquier parte</b> del cartucho del filtro de Agua que falle debido a un defecto en los materiales o la fabricación. Durante la <b>garantía limitada por treinta días</b> , GE Appliances también le brindará, <b>sin costo</b> , el reemplazo de un cartucho del filtro de agua.
<b>Sólo Modelos GE PROFILE™ y GE CAFÉ™</b>	
<b>Cinco Años</b> Desde la fecha de la compra original	<b>Cualquier parte del sistema de refrigeración sellado (el compresor, condensador, evaporador y todas las tuberías de conexión)</b> que falle debido a un defecto en los materiales o la fabricación. Durante esta <b>garantía de cinco años del sistema de refrigeración sellado</b> , GE Appliances también proveerá, sin costo, todo el trabajo y el servicio relacionado con el reemplazo de la parte que presente defectos en el sistema de refrigeración sellado.

### Lo que GE Appliances no cubrirá

- Viajes del técnico del servicio a su hogar para enseñarle sobre cómo usar el producto.
- Instalación, entrega o mantenimiento inadecuados.
- Fallas del producto en caso de abuso, mal uso, o uso para propósitos diferentes al original o uso comercial.
- Pérdida de alimentos por mal estado.
- Reemplazo de fusibles de la casa o reinicio de disyuntores.
- Daños sobre el acabado, tales como óxido sobre la superficie, deslustres o manchas pequeñas no informadas dentro de las 48 horas luego de la entrega.
- Reemplazo del cartucho del filtro de agua, si se incluye, debido a la presión del agua que está fuera del rango de funcionamiento específico o debido a exceso de sedimentos en el suministro de agua.
- Reemplazo de bombillas de luz, si se incluyen, o del cartucho del filtro de agua, si se incluye, a diferencia de lo detallado anteriormente.
- Daños ocasionados sobre el producto por accidente, incendio, inundaciones o catástrofes naturales.
- Daños consecuentes o incidentales causados por posibles defectos de este producto.
- Producto no accesible para brindar el servicio requerido.
- Daño ocasionado por un filtro de agua de una marca que no es GE Appliances.

**EXCLUSIÓN DE GARANTÍAS IMPLÍCITAS**—Su única y exclusiva alternativa es la reparación del producto, como se indica en la Garantía Limitada. Las garantías implícitas, incluyendo garantías implícitas de comerciabilidad o conveniencia sobre un propósito particular, se limitan a un año o al período más corto permitido por la ley.

Esta garantía se extiende al comprador original y a cualquier dueño subsiguiente de productos comprados para uso hogareño dentro de EE.UU. Si el producto está en un área donde no se encuentra disponible un Proveedor Autorizado del Servicio Técnico de GE Appliances, usted será responsable por el costo de un viaje o se podrá requerir que traiga el producto a una ubicación del Servicio Técnico de GE Appliances Autorizado para recibir el servicio. En Alaska, la garantía excluye el costo de envío o llamadas del servicio a su hogar.

Algunos estados no permiten la exclusión o limitación de daños fortuitos o consecuentes. Esta garantía le da derechos legales específicos y es posible que tenga otros derechos legales que varían entre un estado y otro. Para conocer cuáles son sus derechos legales, consulte a la oficina de asuntos del consumidor local o estatal o al Fiscal de su estado.

**Warrantor: GE Appliances, a Haier company**

**Para los clientes de Canadá :** Esta garantía se extiende al comprador original y cualquier comprador posterior de productos comprados en Canadá para uso residencial dentro de Canadá. El servicio a domicilio warrant será proporcionado en las áreas donde está disponible y que se considere razonable por MC Commercial Inc para ofrecer. Si el producto está en un área donde no se encuentra disponible un Proveedor Autorizado del Servicio Técnico de GE Appliances, usted será responsable por el costo de un viaje o se le podrá requerir que traiga el producto a una ubicación del Servicio Técnico de GE Appliances Autorizado para recibir el servicio.

**Warrantor Canada: MC Commercial Inc, Burlington, Ontario, L7R 5B6**

Abroche su recibo aquí. Para acceder al servicio técnico de acuerdo con la garantía deberá contar con la prueba de la fecha original de compra.

# Garantía Limitada del Cartucho del Filtro de Agua XWF

Comuníquese con nosotros en [www.geapplianceparts.com](http://www.geapplianceparts.com), o llame al 800.GE.CARES.

<b>Por el Período de:</b>	<b>Reemplazaremos, Sin Costo:</b>
Treinta Días Desde la fecha de compra original.	Cualquier parte del cartucho del filtro de agua que falle debido a un defecto en los materiales o la fabricación durante esta garantía limitada de treinta días.*

## Qué No Está Cubierto:

- Viajes del técnico del servicio a su hogar para enseñarle sobre cómo usar el producto.
- Instalación inadecuada.
- Fallas del producto en caso de abuso, mal uso, o uso para propósitos diferentes a l original o uso comercial
- Reemplazo de fusibles de la casa o reinicio de disyuntores.
- Reemplazo del cartucho del filtro de agua debido a la presión del agua que está fuera del rango de funcionamiento específico o debido a exceso de sedimentos en el suministro de agua.
- Daños ocasionados sobre el producto por accidente, incendio, inundaciones o catástrofes naturales.
- D años consecuentes o incidentales causados por posibles defectos de este producto.

## EXCLUSIÓN DE GARANTÍAS IMPLÍCITAS:

Su única y exclusiva alternativa es el cambio de la pieza, como se indica en esta Garantía Limitada. Las garantías implícitas, incluyendo garantías implícitas de comerciabilidad o conveniencia sobre un propósito particular, se limitan a seis meses o al período más corto permitido por la ley.

Esta garantía se extiende al comprador original y a cualquier dueño subsiguiente de productos adquiridos para uso hogareño dentro de EE.UU. En Alaska, la garantía excluye el costo de envío o llamadas al servicio técnico desde su hogar.

Algunos estados no permiten la exclusión o limitación de daños fortuitos o consecuentes. Esta garantía le da derechos legales específicos y es posible que tenga otros derechos legales que varían entre un estado y otro. Para conocer cuáles son sus derechos legales, consulte a la oficina de asuntos del consumidor local o estatal o al Fiscal de su estado.

Para Adquisiciones Realizadas en Iowa: Este formulario debe poseer la firma y fecha del comprador y del vendedor antes de la consumación de esta venta.

Este formulario debería ser retenido por el vendedor en un archivo durante un mínimo de dos años.

## Comprador:

Nombre \_\_\_\_\_  
 Domicilio \_\_\_\_\_  
 Ciudad \_\_\_\_\_ Estado \_\_\_\_\_ Código Postal \_\_\_\_\_  
 Firma \_\_\_\_\_ Fecha \_\_\_\_\_

## Vendedor:

Nombre \_\_\_\_\_  
 Domicilio \_\_\_\_\_  
 Ciudad \_\_\_\_\_ Estado \_\_\_\_\_ Código Postal \_\_\_\_\_  
 Firma \_\_\_\_\_ Date \_\_\_\_\_

\* Si su pieza de GE falla debido a un defecto en la fabricación dentro de los treinta días desde la fecha de compra original, le entregaremos una pieza nueva o, a su elección, una pieza reconstruida sin cargo. Devuelva la pieza defectuosa al proveedor de piezas a quien le realizó la compra, junto con una copia de la "prueba de compra" de la pieza. Si la pieza es defectuosa y no muestra signos de abuso, será cambiada. La garantía no cubre la falla de las piezas que están dañadas mientras están en su posesión, si son abusadas, o si fueron instaladas de forma incorrecta. No cubre el costo de regresar la pieza al proveedor a quien le realizó la compra ni cubre el costo del trabajo para retirar o instalar la misma a fin de diagnosticar la falla. No cubre las piezas usadas en productos de uso comercial, excepto en el caso de equipos acondicionadores de aire. En ningún caso GE será responsable por daños consecuentes. Garante: GE Appliances, a Haier company

Abroche su recibo aquí. Para acceder al servicio técnico de acuerdo con la garantía deberá contar con la prueba de la fecha original de compra.



# Ficha Técnica de Funcionamiento del Modelo: GE Appliances XWF

- Sistema certificado por IAPMO R&T contra los Estándares 42, 53, 401 de NSF/ANSI para la reducción de demandas especificadas en la ficha técnica de rendimiento y en iapmort.org.
- El rendimiento real podrá variar en relación a las condiciones locales del agua.

Sustancia Evaluada para la Reducción	Concentración del peligro de intrusión (mg/L)	Concentración de aguas máximas permitidas sobre el producto (mg/L)	% Promedio de Reducción
Gusto y Olor a Cloro	2.0 mg/L +/- 10%	N/A	96.9
Gusto y Olor a Cloramina	3.0 mg/L +/- 10%	0.5	96.9
Partícula, Clase I	Por lo menos 10,000 partículas/mL	N/A	91.4
Partícula, Clase I	50,000/L	N/A	>99.99
Plomo	0.15	0.01	98.85
Mercurio	0.006	0.002	96.3
Mercurio	107 to 108 fibras/ L	N/A	>99
Toxafeno	0.015 +/- 10%	0.003	86.95
VOC (químico sustituto del cloroformo)	0.300	0.015	99.7
Alacloro	0.050	0.001	> 98
Atrazina	0.100	0.003	> 97
Benceno	0.081	0.001	> 99
Carbofurano	0.190	0.001	> 99
Tetracloruro de carbono	0.078	0.0018	98
Clorobenceno	0.077	0.001	> 99
Cloropincrina	0.015	0.0002	99
2,4-D	0.110	0.0017	98
Dibromocloropropano (DBCP)	0.052	0.00002	> 99
o-Diclorobenceno	0.08	0.001	> 99
p-Diclorobenceno	0.040	0.001	> 98
1,2-dicloroetano	0.088	0.0048	95
1,2-dicloroetano	0.083	0.001	> 99
Cis-1,2-dicloroetileno	0.170	0.0005	> 99
Trans-1,2-dicloroetileno	0.086	0.001	> 99
1,2-dicloropropano	0.080	0.001	> 99
cis-1,3-dicloropropileno	0.079	0.001	> 99
Dinoseb	0.170	0.0002	99
Endrina	0.053	0.00059	99
Etilbenceno	0.088	0.001	> 99
Dibromuro de etileno (EDB)	0.044	0.00002	> 99
Bromocloroacetnitrilo	0.022	0.0005	98
Dibromoacetnitrilo	0.024	0.0006	98
dichloroacetnitrilo	0.0096	0.0002	98
Dicloroacetnitrilo	0.015	0.0003	98
1,2-dicloro-2-propanona	0.0072	0.0001	99
1,1,1-tricloro-2-propanona	0.0082	0.0003	96
Heptacloro (H-34, Heptox)	0.025	0.00001	>99
Epóxido de heptacloro	0.0107	0.0002	98
Hexaclorociclopentadieno	0.044	0.001	> 98
Hexaclorociclopentadieno	0.060	0.000002	> 99
Lindano	0.055	0.00001	> 99
Metoxicloro	0.050	0.0001	> 99
Pentaclorofenol	0.096	0.001	> 99
Simazina	0.120	0.004	> 97
Tetracloroetileno	0.150	0.0005	> 99
1,1,2,2-Tetracloroetileno	0.081	0.001	> 99
Tetracloroetileno	0.081	0.001	> 99
Tolueno	0.078	0.001	> 99
2,4,5-TP (silvex)	0.270	0.0016	99
Acido tribromoacético	0.042	0.001	> 98
1,2,4-Triclorobenceno	0.160	0.0005	> 99
1,1,1-tricloroetano	0.084	0.0046	95
1,1,2-tricloroetano	0.150	0.0005	> 99
Tricloroetileno	0.180	0.0010	> 99
Bromoformo	0.300	0.015	95
Bromodichlorometano	0.300	0.015	95
clorodibromometano	0.300	0.015	95
Xileno	0.070	0.001	>99
Meprobamato	400 +/- 20%	60	95.5
Atenolol	200 +/- 20%	30	95.9
carbamazepina	1400 +/- 20%	200	98.6
DEET	1400 +/- 20%	200	98.6
Metolacloro	1400 +/- 20%	200	98.7
Trimetoprima	140 +/- 20%	20	96.1
Linuron	140 +/- 20%	20	96.6
TCEP	5000 +/- 20%	700	98.1
TCPP	5000 +/- 20%	700	98.1
Fenitoína	200 +/- 20%	30	96
Naproxeno	400 +/- 20%	60	95.9
Naproxeno	140 +/- 20%	20	96.5
Estrona	140 +/- 20%	20	97.1
Bisfenol A	2000 +/- 20%	300	99.1
Nonyl phenol	1400 +/- 20%	200	97.3

### Pautas de Aplicación/ Parámetros de Suministro de Agua

Flujo de Servicio	0.5 gpm (1.89 lpm)
Suministro de Agua	Agua Potable
Presión del Agua	25-120 psi (172-827 kPa)
Temperatura del agua	33°F-100°F (0.6°C-38°C)
Capacidad	170 galones (643.5 litros)

Es esencial que se cumpla con los requisitos de instalación, mantenimiento y reemplazo de filtros recomendados por el fabricante, a fin de que el producto funcione de acuerdo a como fue promocionado. Para acceder a información sobre la Garantía, consulte el Manual de Instalación.

**Nota:** Observe que aunque la evaluación se realizó de acuerdo con condiciones estándares de laboratorio, el desempeño puede variar Reemplazo del Cartucho: XWF. Para conocer costos estimados de elementos de reemplazo, comuníquese al 1.877.959.8688 o visite nuestro sitio Web en [www.geapplianceparts.com](http://www.geapplianceparts.com)

### ⚠ ADVERTENCIA

A fin de reducir el riesgo asociado con la ingestión de contaminantes:

- No se deben usar con agua que no sea microbiológicamente segura o de calidad desconocida sin una desinfección adecuada, antes o después, del sistema. Los sistemas certificados para la reducción de quistes se podrían usar en aguas desinfectadas que puedan contener quistes filtrables.

### AVISO

A fin de reducir el riesgo de pérdidas de agua o inundación, y para asegurar un rendimiento óptimo del filtro:

- Lea y siga las Instrucciones de uso antes de la instalación y uso de este sistema.
- La instalación y uso DEBERÁN cumplir con todos los códigos estatales y locales de plomería.
- No se deberá instalar si la presión del agua supera los 120 psi (827 kPa). Si la presión del agua es superior a los 80 psi (552 kPa), deberá instalar una válvula limitadora de presión. Si no está seguro sobre cómo controlar la presión del agua, comuníquese con un plomero profesional.
- No instale cuando se puedan producir condiciones de golpe de ariete. Si existen condiciones de golpe de ariete, deberá instalar un suspensor de golpes de ariete.
- Si no está seguro sobre cómo controlar esta condición, comuníquese con un plomero profesional.
- No instale en líneas de suministro de agua caliente. La temperatura máxima de funcionamiento del agua para este sistema de filtro es de 100°F (37.8°C).
- Proteja el filtro de heladas. Drene el filtro cuando las temperaturas sean inferiores a 33°F (0.6°C).
- Cambie el cartucho del filtro descartable cada seis meses o antes, si observa una reducción notoria en el promedio del flujo de agua.
- Si no se reemplaza el cartucho del filtro descartable en intervalos recomendados, se podrá producir un rendimiento inferior del filtro y quebraduras en el espacio de colocación del filtro, ocasionando pérdidas de agua o inundación.
- Este sistema fue evaluado de acuerdo con NSF/ANSI 42, 53 y 401 para la reducción de las sustancias que figuran a continuación. La concentración de las sustancias indicadas en agua que ingresa al sistema fue reducida a una concentración inferior o igual al límite permitido de agua que deja el sistema, de acuerdo con lo especificado en NSF/ANSI 42, 53 y 401.



Sistema XWF certificado por IAPMO R&T contra los Estándares 42, 53 y 401 de NSF/ANSI para la reducción de demandas especificadas en la ficha técnica de rendimiento en iapmort.org.



# Soporte para el Consumidor

---

## Sitio Web de GE Appliances

¿Desea realizar una consulta o necesita ayuda con su electrodoméstico? ¡Intente a través del Sitio Web de GE Appliances las 24 horas del día, cualquier día del año! Usted también puede comprar más electrodomésticos maravillosos de GE Appliances y aprovechar todos nuestros servicios de soporte a través de Internet, diseñados para su conveniencia.  
En EE.UU.: [GEAppliances.com](http://GEAppliances.com)

---

## Registre su Electrodoméstico

¡Registre su electrodoméstico nuevo a través de Internet, según su conveniencia! Un registro puntual de su producto permitirá una mejor comunicación y un servicio más puntual de acuerdo con los términos de su garantía, en caso de surgir la necesidad. También puede enviar una carta en la tarjeta de inscripción preimpresa que se incluye con el material embalado.  
En EE.UU.: [GEAppliances.com/register](http://GEAppliances.com/register)

---

## Servicio Programado

El servicio de reparación de expertos de GE Appliances está a sólo un paso de su puerta. Conéctese a través de Internet y programe su servicio a su conveniencia cualquier día del año. En EE.UU.: [GEAppliances.com/service](http://GEAppliances.com/service) o comuníquese al 800.432.2737 durante el horario de atención comercial.

---

## Garantías Extendidas

Adquiera una garantía extendida de GE Appliances y conozca los descuentos especiales que están disponibles mientras su garantía aún está vigente. La puede adquirir en cualquier momento a través de Internet. Los servicios de GE Appliances aún estarán allí cuando su garantía caduque.  
En EE.UU.: [GEAppliances.com/extended-warranty](http://GEAppliances.com/extended-warranty) o comuníquese al 800.626.2224 durante el horario de atención comercial.

---

## Piezas y Accesorios

Aquellos individuos calificados para realizar el servicio técnico de sus propios electrodomésticos podrán solicitar el envío de piezas o accesorios directamente a sus hogares (se aceptan las tarjetas VISA, MasterCard y Discover). Ordene hoy a través de Internet durante las 24 horas, todos los días. En EE.UU.: [GEApplianceparts.com](http://GEApplianceparts.com) o de forma telefónica al 877.959.8688 durante el horario de atención comercial.

**Las instrucciones que figuran en este manual cubren los procedimientos que serán realizados por cualquier usuario. Otros servicios técnicos generalmente deben ser derivados a personal calificado del servicio. Se deberá tener cuidado, ya que una reparación indebida podrá hacer que el funcionamiento no sea seguro.**

---

## Contáctenos

Si no se encuentra satisfecho con el servicio que recibió de GE Appliances, comuníquese con nosotros a través de nuestro sitio Web con todos los detalles, incluyendo su número telefónico, o escriba a:

En EE.UU.: General Manager, Customer Relations | GE Appliances, Appliance Park | Louisville, KY 40225  
[GEAppliances.com/contact](http://GEAppliances.com/contact)