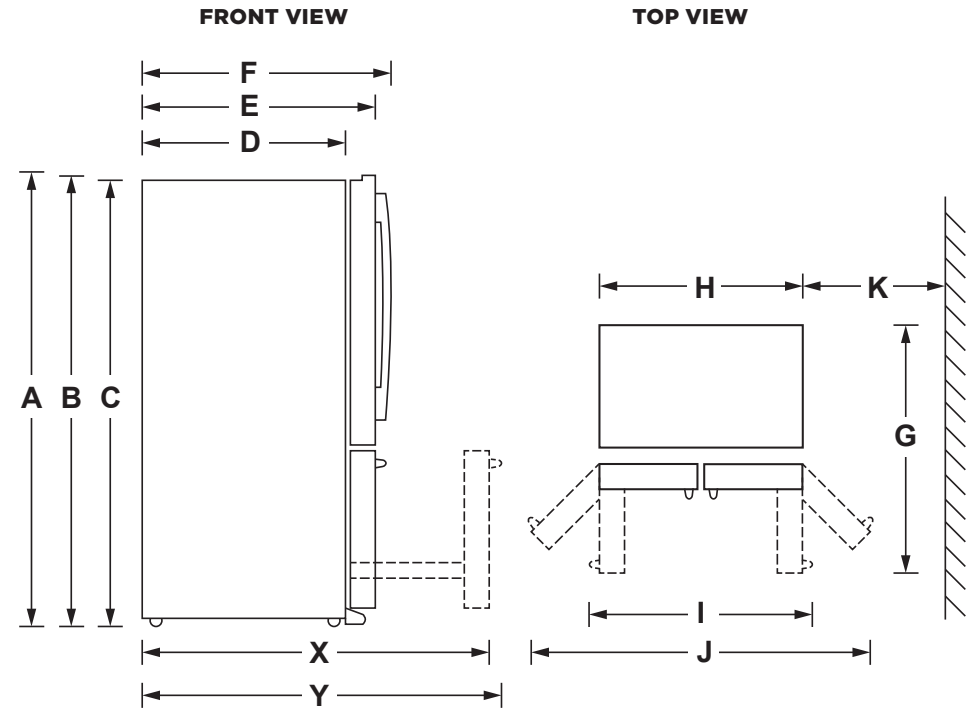


# GYE22GEN/GMN/GYN

## GE® ENERGY STAR® 22.2 Cu. Ft. Counter-Depth French-Door Refrigerator

### DIMENSIONS AND INSTALLATION INFORMATION (IN INCHES)

Height to top of door (in.) <b>A</b>	70-1/2
Height to top of hinge (in.) <b>B</b>	69-7/8
Height to top of case (in.) <b>C</b>	69
Case depth without door (in.) <b>D</b>	24-3/8
Case depth less door handle (in.) <b>E</b>	29-3/4
Case depth with door handle (in.) <b>F</b>	31-1/4
Depth with fresh food door open 90° (in.) <b>G</b>	43-3/8
Width (in.) <b>H</b>	35-3/4
Width with door open 90° with door handle (in.) <b>I</b>	44-5/8
Width with doors open fully (in.) <b>J</b>	68
Min distance between side of case and wall, in either direction, to allow doors to open fully (in.) <b>K</b>	16-1/8
Depth with FZ door completely open (w/o handle) (in.) <b>X</b>	44-3/4
Depth with FZ door completely open (w/ handle) (in.) <b>Y</b>	46-1/4



For answers to your Monogram, GE Café™ Series, GE Profile™ Series or GE Appliances product questions, visit our website at [geappliances.com](http://geappliances.com) or call GE Answer Center® Service, 800.626.2000.



As an ENERGY STAR® partner, GE has determined that this product meets the ENERGY STAR guidelines for energy efficiency.

# GYE22GEN/GMN/GYN

## GE® ENERGY STAR® 22.2 Cu. Ft. Counter-Depth French-Door Refrigerator

### FEATURES AND BENEFITS

Counter-depth design – Offers a built-in look by fitting nearly flush with surrounding cabinetry

Fingerprint resistant stainless – Easily wipe away smudges and fingerprints for a look that's always sparkling clean (for GYE22GYNFS model only)

Space-saving icemaker – Located on the door with integrated bins to create more usable storage space

Second icemaker option – Always have extra ice on hand with an optional second icemaker in the freezer (IM5D kit sold separately)

Advanced water filtration uses RPWFE replacement filter – Reduces trace pharmaceuticals from water and ice\* (\* Removes 98% of ibuprofen, atenolol, fluoxetine, progesterone and trimethoprim. These pharmaceuticals are not necessarily in all users' water)

Showcase LED lighting – Positioned throughout the interior and under fresh food doors to spotlight foods inside the refrigerator and in the freezer TwinChill™ evaporators - Separate climates in the fresh food and freezer sections help keep foods fresh

Two humidity-controlled drawers and full-width drawer with LED light – Create the right environment for keeping fruits and vegetables fresh, while easily storing wider items like a party platter or a sheet cake

Turbo Cool and Turbo Freeze settings – An extra boost of cold air restores interior to set temperature for optimum food freshness

Tall dispenser – Makes and stores ice in the door, saving space

Door alarm – Enjoy peace of mind knowing the refrigerator door is never left open

Two-level freezer storage baskets – Baskets allow easy access to frozen foods

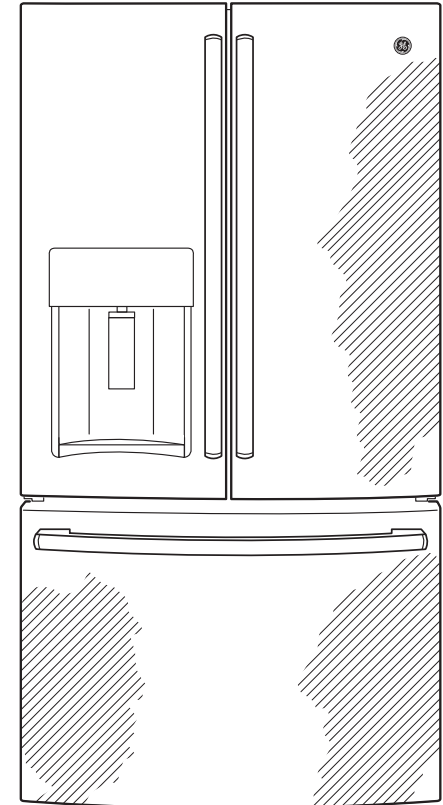
Gallon door storage – Deep bins handle large containers in the door and free up valuable shelf space

External controls with actual temperature display, child lock and door alarm – Eliminates the guesswork in setting refrigerator temperatures; conveniently displayed on the dispenser

Model GYE22GENDS – Black Slate

Model GYE22GMNES – Slate

Model GYE22GYNFS – Fingerprint Resistant Stainless



As an ENERGY STAR® partner, GE has determined that this product meets the ENERGY STAR guidelines for energy efficiency.