



DRYERS

SAFETY INFORMATION3

USING THE DRYER

Getting Started 4

Loading8

Features.....8

CARE AND CLEANING9

INSTALLATION INSTRUCTIONS11

Stacking (Optional) 24

Reversing The Door Swing (Optional)..... 26

TROUBLESHOOTING TIPS.....28

LIMITED WARRANTY 31

CONSUMER SUPPORT32

OWNER'S MANUAL & INSTALLATION INSTRUCTIONS

GFD14

ENGLISH/FRANÇAIS/ESPAÑOL

Write the model and serial numbers here:

Model # _____

Serial # _____

They are on the label on the front of the dryer behind the door.

THANK YOU FOR MAKING GE APPLIANCES A PART OF YOUR HOME.

Whether you grew up with GE Appliances, or this is your first, we're happy to have you in the family.

We take pride in the craftsmanship, innovation and design that goes into every GE Appliances product, and we think you will too. Among other things, registration of your appliance ensures that we can deliver important product information and warranty details when you need them.

Register your GE appliance now online. Helpful websites and phone numbers are available in the Consumer Support section of this Owner's Manual. You may also mail in the pre-printed registration card included in the packing material.



IMPORTANT SAFETY INFORMATION

READ ALL INSTRUCTIONS BEFORE USING THE APPLIANCE

⚠ WARNING

To reduce the risk of fire, explosion, electric shock, or injury to persons when using your appliance, follow basic precautions, including the following:

- Read all instructions before using the appliance.
- **DO NOT** dry articles that have been previously cleaned in, washed in, soaked in, or spotted with gasoline, dry-cleaning solvents, or other flammable or explosive substances, as they give off vapors that could ignite or explode.
- **DO NOT** place items exposed to cooking oils in your dryer. Items contaminated with cooking oils may contribute to a chemical reaction that could cause a load to catch fire. To reduce the risk of fire due to contaminated loads, the final part of the tumble dryer cycle occurs without heat (cool down period). Avoid stopping a tumble dryer before the end of the drying cycle unless all items are quickly removed and spread out so that the heat is dissipated.
- **DO NOT** allow children to play on or in this appliance. Close supervision of children is necessary when this appliance is used near children.
- Before the appliance is removed from service or discarded, remove the door to the drying compartment.
- **DO NOT** reach into the appliance if the drum is moving.
- **DO NOT** install or store this appliance where it will be exposed to the weather.
- **DO NOT** tamper with controls.
- **DO NOT** climb or stand on this unit.
- **DO NOT** repair or replace any part of this appliance or attempt any servicing unless specifically recommended in the user-maintenance instructions or in published user-repair instructions that you understand and have the skills to carry out.
- Follow all fabric care instructions and warnings to prevent melting of garments or damage to the appliance.
- **DO NOT** use fabric softeners or products to eliminate static unless recommended by the manufacturer of the fabric softener or product.
- **DO NOT** dry articles containing foam rubber or similarly textured rubber-like materials.
- Clean lint screen before or after each load.
- **DO NOT** operate the dryer without the lint filter in place.
- **DO NOT** store combustible materials, gasoline or other flammable liquids near the dryer. Keep area around the exhaust opening and adjacent surrounding areas free from the accumulation of lint, dust and dirt.
- The interior of the appliance and exhaust duct should be cleaned periodically by qualified service personnel.
- Unplug the appliance or turn off the circuit breaker before servicing. Pressing the **Power** or **Start/Pause** button **DOES NOT** disconnect power.
- **DO NOT** operate this appliance if it is damaged, malfunctioning, partially disassembled, or has missing or broken parts, including a damaged cord or plug.
- **DO NOT** spray any type of aerosol into, on or near dryer at any time. **DO NOT** use any type of spray cleaner when cleaning dryer interior. Hazardous fumes or electrical shock could occur.
- See "ELECTRICAL CONNECTION" located in the Installation Instructions for grounding instructions.

READ AND SAVE THESE INSTRUCTIONS

Getting started

WARNING To reduce the risk of fire, electric shock, or injury to persons, read the IMPORTANT SAFETY INFORMATION before operating this appliance.

Throughout this manual, features and appearance may vary from your model.

Step 1



- Loosely add items.
- Close door.

NOTE: Dryer will not start with door open.

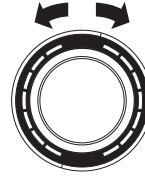
Step 2

Power



- If the screen is dark, press the Power button to “wake up” the display.

Step 3



- Select a dry cycle. (Defaults are set for each dry cycle. These default settings can be changed. See control settings for more information.)

OR



- Press Timed Dry button, rotate knob to adjust time, and press Temp button to set your own temperature.

Step 4

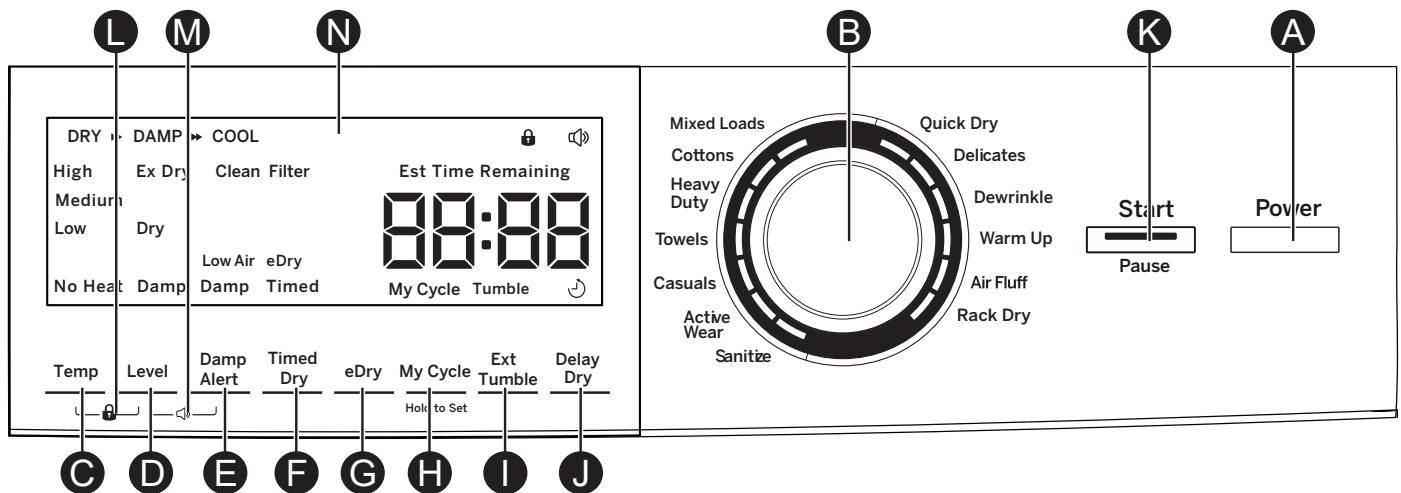
Start



Pause

- Press the Start/Power button.

Controls



Getting started

A Power

Press to “wake up” the display. If the display is active, press to turn the dryer off.

NOTE: Pressing **Power** does not disconnect the appliance from the power supply.

B Dry Cycles

The dry cycle controls the cycle time for the drying process. The chart below will help you match the dry setting with the loads.

Mixed Loads or Normal (Depending on model)	For loads consisting of cottons and poly blends.
Cottons	For cottons and most linens. NOTE: Energy Star® models are tested on Cottons with default settings.
Heavy Duty	For large coats, bed spreads, mattress covers, sleeping bags, blankets, comforters, jackets, small rugs, and similar large and bulky items.
Towels	Use for towels OR sheets. It is not recommended to mix towels and sheets in the same load.
Casuals	For wrinkle-free, permanent press and delicate items, and knits.
Active Wear	Clothing worn for active sports exercise and some casual wear. Fabrics include new technology finishes and stretch fibers such as Spandex. Also for clothing labeled Easy Care or Perma Press: For wrinkle-free and permanent press items.
Sanitize	Reduces certain types of bacteria by 96.7%, including: Staphylococcus aureus and Pseudomonas aeruginosa. The antibacterial process occurs when high heat is used during a portion of this drying cycle.
Quick Dry	For small loads that are needed in a hurry, such as sports or school uniforms. Can also be used if the previous cycle left some items damp, such as collars or waistbands.
Delicates	For lingerie and special-care fabrics.
Dewrinkle	For removing wrinkles from items that are dry or slightly damp. This cycle is not recommended for delicate fabrics.
Warm Up	Provides 25 minutes of warming time to warm up clothes.
Air Fluff	Provides 30 minutes of tumbling time without heat.
Rack Dry	For drying delicate items without tumbling, use drying rack accessory. Place items flat on the drying rack such as wool sweaters and delicate fabrics. Dry with low heat.

C Temp

Temp (Temperature)

You can change the temperature of your dry cycle.

High	For regular to heavy cottons.
Medium	For synthetics, blends and items labeled Permanent Press.
Low	For delicates, synthetics and items labeled Tumble Dry Low.
No Heat	This option may only be used with Air Fluff and Timed Dry , in which items are tumbled without heat.

Getting started

D Level **Level**

The sensor continuously monitors the amount of moisture in the load. When the moisture in your clothes reaches your selected dry level, the dryer will stop.

NOTE: Sensor dry **Level** can be used with all cycles except **Timed Dry**, **Air Fluff**, **Rack Dry**, **Warm Up** and **Dewrinkle**.

Ex Dry	Use for heavy-duty fabrics or items that should be very dry, such as towels.
Dry	Use for normal dryness level suitable for most loads. This is the preferred cycle for energy saving.
Damp	For leaving items partially damp.

E Damp Alert **Damp Alert**

This option causes the dryer to beep when clothes have dried to a damp level. Remove items that you wish to hang dry. The **Damp Alert** will only beep when this option is selected, and the dryer will continue to dry.

Removing clothes and hanging them when they are damp can reduce the need to iron some items.

F Timed Dry **Timed Dry**

1. Press **Timed Dry** button. Lights around the knob will flash. Select the drying time by rotating the knob to increase or decrease the time in 10-minute increments up to 2 hours and 30 minutes.
2. Select the dry **Temp**.
3. Close the door.
4. Press **Start/Pause**.

G eDry **eDry (on some models)**

Reduces total energy consumption of specific dryer cycles by adjusting certain heat settings.

NOTE: Cycle times will change when eDry is selected.

Energy Star® models are tested on **Cottons** cycle with default settings to determine energy use rating of this dryer. The **eDry** option will default to on for **Cottons**. Temperature settings on High and dryness level setting on Dry are specifically designed for this cycle to reduce energy consumption. For optimal energy savings, turn **eDry** on. For optimal drying times, turn **eDry** off. Energy savings will vary across loads and cycles.

The **eDry** selection can be used with **Mixed Loads**, **Cottons**, **Heavy Duty**, **Towels**, **Casuals**, **Active Wear** and **Delicates**.

H My Cycle **My Cycle**

Set up your favorite combination of settings and save them here for one touch recall. These custom settings can be set while a cycle is in progress.

To store a My Cycle combination of settings:

1. Select your drying cycle.
2. Change **Temp** and **Level** settings to fit your needs.
3. Select any drying options you want.
4. Press and hold the **My Cycle** button for 3 seconds to store your selection. A beep will sound and the button will light up.

To recall your stored My Cycle combination:
Press the **MY CYCLE** button before drying a load.

To change your stored My Cycle combination:
Repeat steps 1–4.

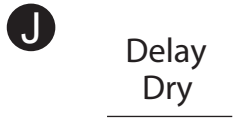
I Ext Tumble **Extended Tumble**

Minimizes wrinkles by adding approximately 2 hours of no-heat tumbling after clothes are dry.

The estimated time remaining display will show "END".

The extended tumble time does not get added to the cycle time on the display.

Getting started

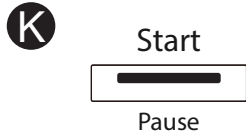


Delay Dry

Use to delay the start of your dryer.

1. Choose your dry cycle and any options.
2. Press **Delay Dry**. You can change the delay time in 1 hour increments, using the **Delay Dry** button.
3. Press the **Start/Pause** button to start the countdown.

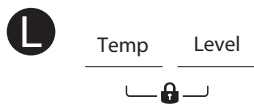
NOTE: If the door is opened while the dryer is in **Delay Dry**, the countdown time will not restart unless the door is closed and **Start/Pause** button has been pressed again.



Start/Pause

Press to start a cycle. If the dryer is running, pressing it once will pause the dryer and unlock the door. This function can be used to add garments during a cycle. Press again to restart the cycle.

NOTE: If the dryer is paused and the cycle is not restarted within 15 minutes, the current cycle will be cancelled.



Lock

You can lock the controls to prevent any selections from being made. Or you can lock or unlock the controls after you have started a cycle.

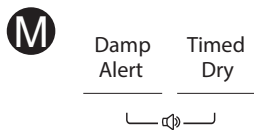
Children cannot accidentally start the dryer by touching pads with this option selected.

To lock the dryer, press and hold the **Temp** and **Level** buttons together for 3 seconds.

To unlock the dryer controls, press and hold the **Temp** and **Level** buttons together for 3 seconds. A sound is made to indicate the lock/unlock status.

The control lock icon on the display will light up when it is on.

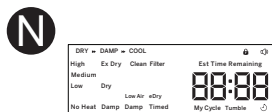
NOTE: The **Power** button can still be used when the machine is locked.



Signal

When the light is on, the dryer will beep at the end of the cycle and every time you press a button on the control panel.

To turn the signal off, press and hold the **Damp Alert** and **Timed Dry** buttons together for 3 seconds. A sound is made to indicate the lock/unlock status.



Display and Status Lights

The display shows the approximate time remaining until the end of the cycle.

In addition, this display will show the dryer status:

Status	DRY ► DAMP ► COOL
	Controls locked on.
	End of cycle signal on.
Clean Filter	Time to clean the filter. See the Care and Cleaning section.
Low Air	Indicates decrease in performance of the dryer and increase risk of lint accumulation in the ducts and dryer.
eDry	Shows eDry setting selected.
Temp	Shows High , Medium , Low or No Heat temperature setting selected.
Level	Shows Extra Dry , Dry or Damp dryness setting selected.
Damp Alert	Indicates Damp Alert is set and will sound when the clothes have dried to a damp dryness level.
Timed	Indicates that a Timed Dry cycle is set. Will turn off after cycle is finished.
Est Time Remaining	Display shows the estimated time remaining until set cycle is completed.
My Cycle	Indicates the My Cycle feature is set.
Ext Tumble	Indicates the Extended Tumble feature is set.
	Indicates Delay Dry is set time is selected.

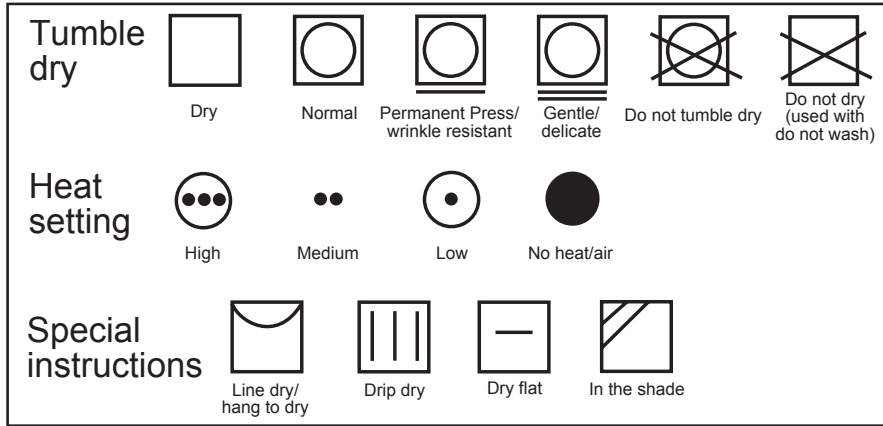
Loading

Always follow fabric manufacturer's care label when laundering.

Fabric Care Labels

Below are fabric care label "symbols" that affect the clothing you will be laundering.

Dry Labels



Sorting and Loading Hints

WARNING - Fire Hazard

- Keep flammable materials and vapors, such as gasoline, away from dryer.
- **DO NOT** dry anything that has ever had anything flammable on it (even after washing).
- No washer can completely remove oil.
- **DO NOT** dry anything that has ever had any type of oil on it (including cooking oils).
- Items containing foam, rubber, or plastic must be dried on a clothesline.
- Failure to do so can result in death, explosion, or fire.

As a general rule, if clothes are sorted properly for the washer, they are sorted properly for the dryer. Try also to sort items according to size. For example, do not dry a sheet with socks or other small items.

Do not add fabric softener sheets once the load has become warm. They may cause fabric softener stains. Bounce® Fabric Conditioner Dryer Sheets have been approved for use in this dryer when used in accordance with the manufacturer's instructions.

Do not overload. This wastes energy and causes wrinkling.

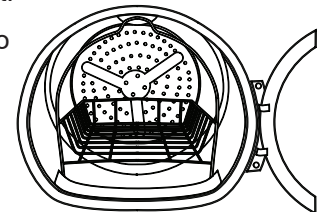
Drying Rack

A handy drying rack may be used for drying delicate items such as washable sweaters. Place items flat on the drying rack and block such items as wool sweaters and delicate fabrics. Dry with low heat.

To install the drying rack, extend the drying rack into the dryer drum and rest the front two legs on the front angled ledge.

NOTES:

- The drying rack is designed for use with the **Timed Dry** cycle. Use with sensor cycles may result in damp items or extended cycle times.
- Do not use this drying rack when there are other clothes in the dryer, that are not placed on the rack.
- The drying rack, **WE01X26416**, is available as an accessory. Order on-line at **GEApplianceparts.com**, 24 hours a day or by phone at **877.959.8688** during normal business hours.



Care and cleaning

Interior and Duct

The interior of the appliance and exhaust duct should be cleaned once a year by qualified service personnel.

The Exhaust Duct: Inspect and clean the exhaust ducting at least once a year to prevent clogging. A partially clogged exhaust can lengthen the drying time.

The Exhaust Hood: Check with a mirror that the inside flaps of the hood move freely when operating. Make sure that there is no wildlife (birds, insects, etc.) nesting inside the duct or hood.

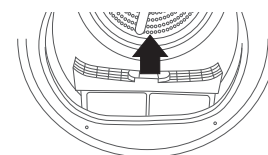
Exterior

Wipe or dust any spills or washing compounds with a damp cloth. Dryer control panel and finishes may be damaged by some laundry pretreatment soil and stain remover products. Apply these products away from the dryer. The fabric may then be washed and dried normally. Damage to your dryer caused by these products is not covered by your warranty.

Lint Filter

Clean the lint filter before each use.

Pull out the lint filter. Moisten your fingers and remove the captured lint. Once clean, slide the filter back into position. Have a qualified technician vacuum the lint from the dryer once a year.



NEVER OPERATE THE DRYER WITHOUT ITS FILTER IN PLACE.

Stainless Steel

To clean stainless steel surfaces use a damp cloth with a mild, non-abrasive cleaner suitable for stainless steel surfaces. Remove the cleaner residue and then dry with a clean cloth.

The stainless steel used to make the dryer drum provides the highest reliability available in a GE Appliances dryer. If the dryer drum should be scratched or dented during normal use, the drum will not rust or corrode. These surface blemishes will not affect the function or durability of the drum.

Care and cleaning

Drum Lamp

NOTE: The drum lamp is not consumer replaceable on models where there is a flat cover over an LED bulb. If this light should ever stop working, call for service.

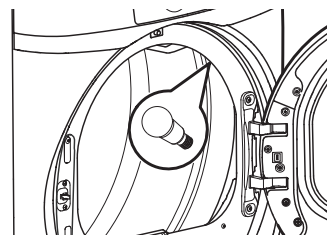
For models that have a domed cover over the bulb secured by a screw:

Before replacing the light bulb, be sure to unplug the dryer power cord or disconnect the dryer at the household distribution panel by removing the fuse or switching off the circuit breaker. Reach above dryer opening from inside the drum to locate the light.

Remove the screw and the plastic cover to access the bulb. Replace with the appropriate bulb and then reattach the cover and screw.

Order replacement bulb **WE11X26351** on-line at **GEApplianceparts.com**, by phone at **877.959.8688** during normal business hours, or purchase appliance bulb **7C7** from your local retailer.

When the door is opened, the drum lamp automatically turns on and remains on for 2 minutes. When the door is closed, the drum lamp will remain on for 30 seconds.



⚠ WARNING  - **Electrical Shock Hazard**

Disconnect power supply before servicing.

Replace all parts and panels before operating.

Failure to do so can result in death or electrical shock.

Installation Instructions

Dryer

If you have any questions, call **GE Appliances at 800.GE.CARES (800.432.2737)** or visit our Website at: **GEAppliances.com**
In Canada, call **800.561.3344** or visit **www.GEAppliances.ca**

BEFORE YOU BEGIN

Read these instructions completely and carefully.

- **IMPORTANT** – Save these instructions for local electrical inspector's use.
- **IMPORTANT** – Observe all governing codes and ordinances.
- Install the clothes dryer according to the manufacturer's instructions and local codes.
- **Note to Installer** – Be sure to leave these instructions with the Consumer.
- **Note to Consumer** – Keep these instructions for future reference.
- Clothes dryer installation must be performed by a qualified installer.
- This dryer must be exhausted to the outdoors.
- Before the old dryer is removed from service or discarded, remove the dryer door.
- Service information and the wiring diagram are located in the control console.
- Do not allow children on or in the appliance. Close supervision of children is necessary when the appliance is used near children.
- Proper installation is the responsibility of the installer.
- Product failure due to improper installation is not covered under the Warranty.
- Install the dryer where the temperature is above 50°F for satisfactory operation of the dryer control system.
- Remove and discard existing plastic or metal foil duct and replace with UL-listed duct.

WARNING

- Risk of Fire

- Clothes dryer installation must be performed by a qualified installer.
- Install the clothes dryer according to these instructions and local codes.
- **DO NOT** install a clothes dryer with flexible plastic venting materials. If flexible metal (semi-rigid or foil-type) duct is installed, it must be UL-listed and installed in accordance with the instructions found in "Connecting the Dryer to House Vent" later in this manual. Flexible venting materials are known to collapse, be easily crushed and trap lint. These conditions will obstruct dryer airflow and increase the risk of fire.
- **DO NOT** install or store this appliance in any location where it could be exposed to water or weather.
- To reduce the risk of severe injury or death, follow all installation instructions.
- Save these instructions. (Installers: Be sure to leave these instructions with the customer.)

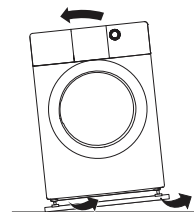
If you are planning to stack the washer and dryer, order Stacking Kit number **GFA24KITL** to be used for this dryer. Kit sold separately.

Installation Instructions

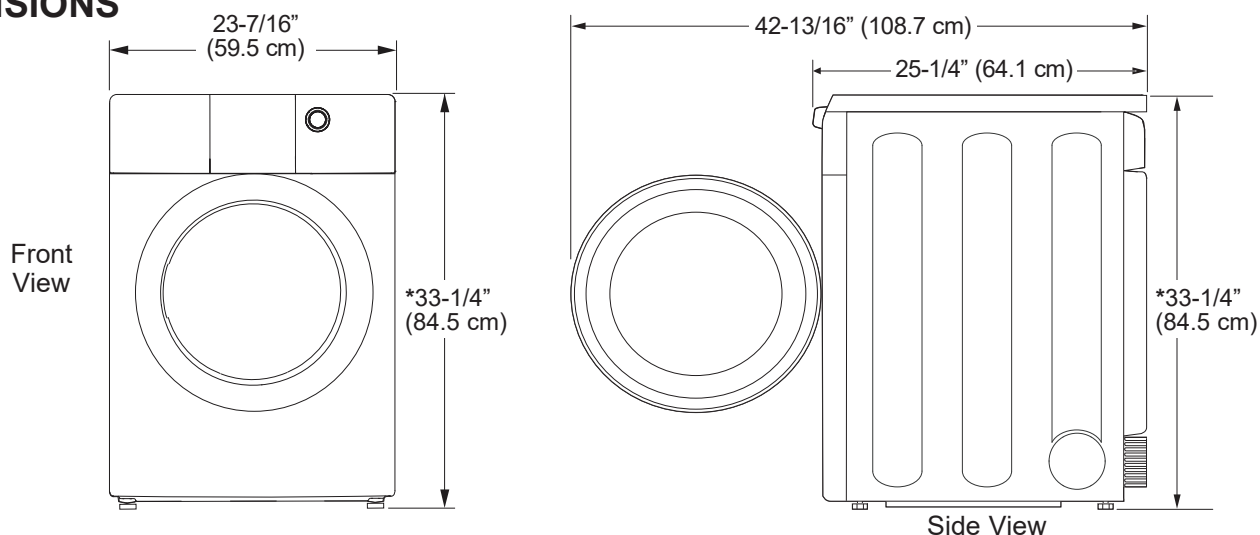
UNPACKING YOUR DRYER

Tilt the dryer sideways and remove the foam shipping pads by pulling at the side breaking them away from the dryer legs. Be sure to remove all of the foam piece around the legs.

Remove the bag containing the literature.



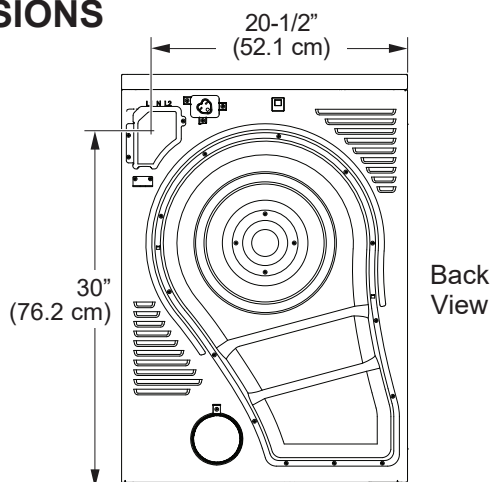
DRYER DIMENSIONS



***NOTE:**

With leveling legs retracted: 33-1/4 (84.5 cm)
 With leveling legs fully extended: 33-5/8 (85.4 cm)
 Stacked: 66-1/2" (168.9 cm)

ELECTRICAL CONNECTION DIMENSIONS



POWER CORDS

GE Appliances strongly recommends the use of factory specified parts. Select the power cord to fit your installation requirements.

Part Number	Type	Length	Amperage
WX9X2	3-Prong	4 Feet	30
WX9X3	3-Prong	5 Feet	30
WX9X4	3-Prong	6 Feet	30
WX9X18	4-Prong	4 Feet	30
WX9X19	4-Prong	5 Feet	30
WX9X20	4-Prong	6 Feet	30

Order on-line at GEApplianceparts.com today, 24 hours a day or by phone at 877.959.8688 during normal business hours. In Canada, visit your local GE Appliances parts distributor or call 800.661.1616 or GEAppliances.ca/en/products/parts-filters-accessories.

ACCESSORIES:

Order on-line at GEApplianceParts.com, 24 hours a day or by phone at 877.959.8688 during normal business hours.

Part Number	Accessory
PM08X10085	Flexible Metal Dryer Transition Duct

Installation Instructions

REQUIREMENTS FOR ALCOVE OR CLOSET INSTALLATION

WARNING - Explosion Hazard

Keep flammable materials and vapors, such as gasoline, away from dryer.

Place dryer at least 18" (46 cm) above the floor for a garage installation.

Failure to do so can result in death, explosion, or fire.

- The dryer **MUST** be vented to the outdoors.
- Minimum clearance between dryer cabinet and adjacent walls or other surfaces is:
 - 0" either side
 - 1" front and rear
 - 1" top
- The rear of the dryer should face a wall.
- Consideration must be given to provide adequate clearance for installation and service.
- Closet doors must be louvered or otherwise ventilated and have at least 60 square inches of open area. If the closet contains both a washer and a dryer, doors must contain a minimum of 120 square inches of open area.

NOTE: WHEN THE EXHAUST DUCT IS LOCATED AT THE REAR OF THE DRYER, THE CONFIGURATION OF THE DUCTING MAY REQUIRE GREATER THAN 3" OF REAR CLEARANCE.

MINIMUM CLEARANCE OTHER THAN ALCOVE OR CLOSET INSTALLATION

Minimum clearance to combustible surfaces and for air opening are: 0" both sides, 1" rear and 1" top.

The rear of the dryer should face a wall.

Consideration must be given to provide adequate clearance for installation and service.

MOBILE OR MANUFACTURED HOME INSTALLATION

- Installation **MUST** conform to the MANUFACTURED HOME CONSTRUCTION AND SAFETY STANDARD, TITLE 24, PART 3280 or STANDARD FOR MOBILE HOMES CAN/CSA-Z240 MH, or, when such standards are not applicable, with AMERICAN NATIONAL STANDARD FOR MOBILE HOME, ANSI/NFPA NO. 501B.
- The dryer **MUST** be vented to the outdoors.
- The exhaust vent **MUST** be securely fastened to a non-combustible portion of the mobile home.
- The vent **MUST NOT** be terminated beneath a mobile or manufactured home.
- The vent duct material **MUST BE METAL**.
- KIT 14-D346-33 **MUST** be used to attach the dryer securely to the structure.
- The vent **MUST NOT** be connected to any other duct, vent or chimney.
- **DO NOT** use sheet metal screws or other fastening devices which extend into the interior of the exhaust vent.
- Provide an opening with a free area of at least 25 square inches for introduction of outside air into the dryer room.
- See the sections for electrical connection information.

Installation Instructions

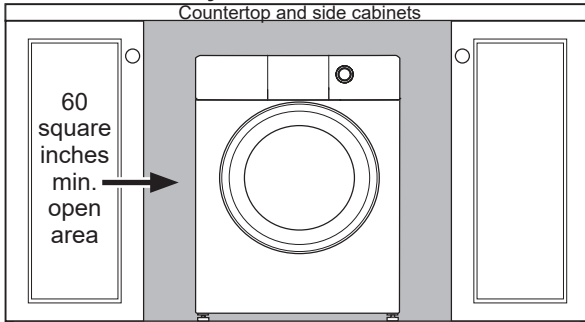
UNDERCOUNTER INSTALLATION

If an undercounter installation is desired:

- No special dryer installation kit is required.
- If the dryer is installed alone, a minimum of 60 square inches of open area is required. If a washer and dryer are installed together, a minimum of 120 square inches of open area is required.

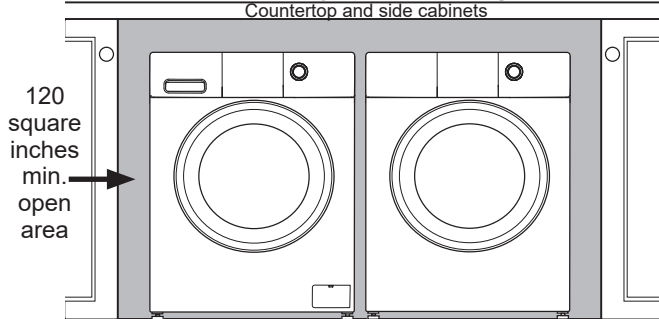
Dryer Installed Alone

Countertop and side cabinets



Washer and Dryer Installed Together

Countertop and side cabinets



BATHROOM OR BEDROOM INSTALLATION

The installation must conform with local codes or, in the absence of local codes, with the NATIONAL ELECTRICAL CODE, ANSI/NFPA NO. 70 (for electric dryers).

Installation Instructions

CONNECTING AN ELECTRIC DRYER

TOOLS YOU WILL NEED

- Slip-joint pliers



- Flat-blade screwdriver



- Phillips screwdriver



- Level



MATERIALS YOU WILL NEED

- 4" dia. metal elbow



- 3/4" Strain relief (UL recognized)



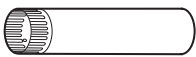
- 4" Duct clamps (2) or 4" spring clamps (2)



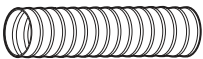
- Safety glasses



- 4" dia. metal duct (recommended)



- 4" dia., UL-listed flexible metal duct (if needed)



- 4" Cover Plate (Kit WE49X22606) (if needed)



- Gloves



- Exhaust hood

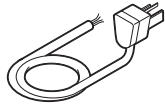


- Duct tape



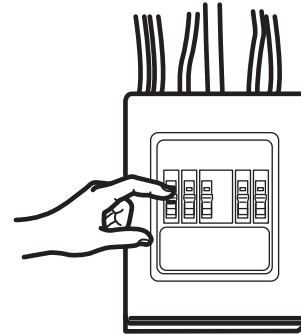
- Dryer power cord kit (not provided with dryer)

UL rated 120/240V, 30A with 3 or 4 prongs. Identify the plug type as per the house receptacle before purchasing line cord.



Stacking installations may require a power cord up to 6 feet in length.

Before making the electrical connection, turn off the circuit breaker(s) or remove the dryer's circuit fuse(s) at the electrical box. Be sure the dryer cord is unplugged from the wall. NEVER LEAVE THE ACCESS COVER OFF THE TERMINAL BLOCK.



⚠ WARNING - Electrical Shock Hazard

Disconnect power supply before servicing.
Replace all parts and panels before operating.
Failure to do so can result in death or electrical shock.

Installation Instructions

ELECTRICAL CONNECTION INFORMATION FOR ELECTRIC DRYERS

For electrical connections using a power cord:

WARNING - Fire Hazard

Use a new UL-listed 240V 30 amp dryer power supply cord with closed ring terminals or spade terminals with upturned ends.

Use a UL-listed strain relief.

Disconnect power before making electrical connections.

Connect neutral wire (white or center wire) to center terminal.

Ground wire (green or bare wire) must be connected to green ground connector.

Connect remaining two supply wires to remaining two terminals.


Securely tighten all electrical connections.

Replace the terminal block cover.

Failure to do so can result in death, fire or electrical shock.

GROUNDING INSTRUCTIONS

For a grounded, cord-connected dryer: This dryer must be grounded. In the event of a malfunction or breakdown, grounding will reduce the risk of electric shock by providing a path of least resistance for electric current. This dryer uses a cord having an equipment-grounding conductor and a grounding plug. The plug must be plugged into an appropriate outlet that is properly installed and grounded in accordance with all local codes and ordinances.

 WARNING Improper connection of the equipment-grounding conductor can result in a risk of electric shock. Check with a qualified electrician, or service representative or personnel, if you are in doubt as to whether the appliance is properly grounded. **DO NOT** modify the plug on the power supply cord. If it will not fit the outlet, have a proper outlet installed by a qualified electrician.

SAVE THESE INSTRUCTIONS

WARNING - Electrical Shock Hazard

TO PREVENT ELECTRIC SHOCK, DISCONNECT POWER BEFORE SERVICING.

This dryer should be connected to an individual branch circuit with 10 gauge copper wire minimum through a 30 amp fuse or circuit breaker. **DO NOT** fuse neutral.

Use copper conductors only.

ELECTRICAL CONNECTION INFORMATION FOR ELECTRIC DRYERS

For direct wire connections:

WARNING - Fire Hazard

Use 10 gauge copper wire.

Use a UL-listed strain relief.

Disconnect power before making electrical connections.

Connect neutral wire (white or center wire) to center terminal.

Ground wire (green or bare wire) must be connected to green ground connector.

Connect remaining two supply wires to remaining two terminals.


Securely tighten all electrical connections.

Replace the terminal block cover.

Failure to do so can result in death, fire or electrical shock.

GROUNDING INSTRUCTIONS

For a permanently connected dryer: This dryer must be connected to a grounded metal, permanent wiring system, or an equipment-grounding conductor must be run with the circuit conductors and connected to the equipment-grounding terminal on the appliance.

 WARNING Improper connection of the equipment-grounding conductor can result in a risk of electric shock. Check with a qualified electrician, or service representative or personnel, if you are in doubt as to whether the appliance is properly grounded.

SAVE THESE INSTRUCTIONS

WARNING - Electrical Shock Hazard

TO PREVENT ELECTRIC SHOCK, DISCONNECT POWER BEFORE SERVICING.

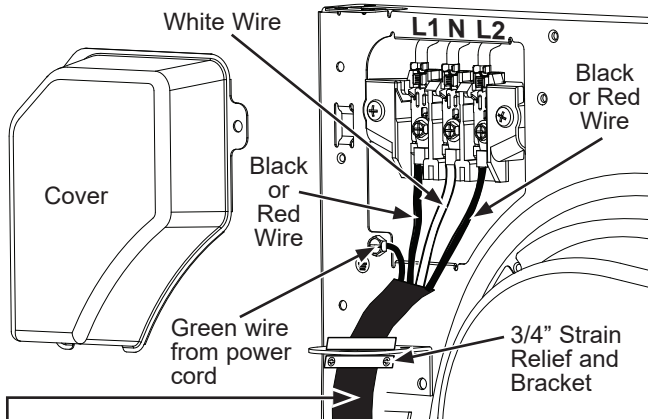
This dryer should be connected to an individual branch circuit with 10 gauge copper wire minimum through a 30 amp fuse or circuit breaker. **DO NOT** fuse neutral.

Use copper conductors only.

Installation Instructions

CONNECTING DRYER USING 4-WIRE CONNECTION (MUST BE USED FOR MOBILE HOME INSTALLATION)

NOTE: Since January 1, 1996, the National Electrical Code requires that new constructions use a 4-wire connection to an electric dryer. A 4-wire cord must also be used where local codes do not permit grounding through the neutral. 3-wire connection is NOT for use on new construction.



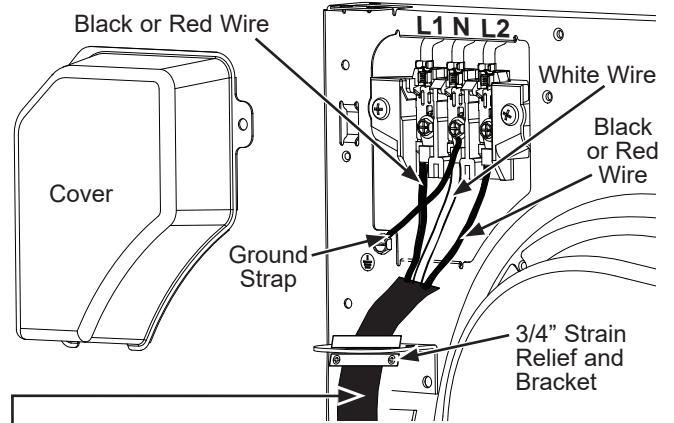
4 #10 AWG minimum copper conductors or 120/240V 30A power supply cord kit marked for use with dryers and provided with closed loop or spade terminals with upturned ends (not supplied).

1. Turn off the circuit breaker(s) (30 amp) or remove the dryer's circuit fuse at the electrical box.
2. Be sure the dryer cord is unplugged from the wall receptacle.
3. Remove the power cord cover located at the upper back.
4. Remove green ground screw and retain for use in Step 7. Remove center screw (marked N) in terminal block. Remove and discard ground strap.
5. Install 3/4 in. UL-recognized strain relief to power cord entry hole. Bring power cord through strain relief and bracket.
6. Connect power cord as follows:
 - A. Connect the 2 hot lines to the outer screws of the terminal block (marked L1 and L2).
 - B. Connect the neutral (white) line to the center of the terminal block (marked N).
7. Attach ground wire of power cord with the green ground screw (hole above strain relief bracket). Tighten all terminal block screws (3) securely.
8. Properly secure power cord to strain relief and bracket.
9. Reinstall the cover.

NEVER LEAVE THE COVER OFF OF THE TERMINAL BLOCK.

CONNECTING DRYER USING 3-WIRE CONNECTION

If required, by local code, install external ground (not provided) to grounded metal, cold water pipe, or other established ground determined by a qualified electrician.



3 #10 AWG minimum copper conductors or 120/240V 30A power supply cord kit marked for use with dryers and provided with closed loop or spade terminals with upturned ends (not supplied).

3-wire Connection

Not for use in Canada.

DO NOT use for Mobile Home Installations.

NOT for use on new construction.

NOT for use on recreational vehicles.

NOT for use in areas where local codes prohibit grounding through the neutral conduction.

1. Turn off the circuit breaker(s) (30 amp) or remove the dryer's circuit fuse at the electrical box.
2. Be sure the dryer cord is unplugged from the wall receptacle.
3. Remove the power cord cover located at the upper back.
4. Install 3/4-in. UL-recognized strain relief to power cord entry hole. Bring power cord through strain relief and bracket.
5. Connect power cord as follows:
 - A. Connect the 2 hot lines to the outer screws of the terminal block (marked L1 and L2).
 - B. Connect the neutral (white) line to the center of the terminal block (marked N).
6. Be sure ground strap is connected to green ground screw on cabinet rear. Tighten all terminal block screws (3) securely.
7. Properly secure power cord to strain relief and bracket.
8. Reinstall the cover.

NEVER LEAVE THE COVER OFF OF THE TERMINAL BLOCK.

Installation Instructions

EXHAUSTING THE DRYER

⚠ WARNING - Fire Hazard

This dryer **MUST** be vented to the outdoors. Use only 4" rigid metal ducting for the home exhaust duct.

Use only 4" rigid metal, UL-listed flexible metal, or UL-listed metal foil dryer transition duct to connect the dryer to the home exhaust.

DO NOT use any plastic to vent the dryer, this includes the home exhaust duct, dryer transition duct, or within the dryer.

DO NOT use flexible metal or metal foil ducting for a home exhaust duct or within the dryer.

DO NOT exhaust into a chimney, kitchen exhaust, gas vent, wall, ceiling, attic, crawl space, or concealed space of a building.

DO NOT install a screen in or over the exhaust duct.

DO NOT install a booster fan in the exhaust duct.

DO NOT use duct longer than specified in the exhaust length table.

Failure to follow these instructions can result in death or fire.

TOOLS AND MATERIALS YOU WILL NEED TO INSTALL EXHAUST DUCT

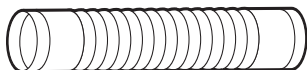
Phillips-head screwdriver



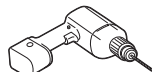
Duct tape or duct clamp



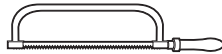
Rigid or UL-listed flexible metal 4" (10.2 cm) duct



Drill with 1/8" drill bit (for bottom venting)



Hacksaw



Vent hood



PARTS AVAILABLE FROM GEAPPLIANCEPARTS.COM OR LOCAL SERVICE ORGANIZATIONS

PM8X85 Outdoor exhaust hood

PM08X10085 8' Flexible metal clothes dryer transition duct with 2 clamps

WX08X10130 4" Dryer exhaust clamp

WE49X22606 Rear exhaust opening cover, for side or bottom vented dryers

CONNECTING THE DRYER TO HOUSE VENT

RIGID METAL TRANSITION DUCT

- For best drying performance, a rigid metal transition duct is recommended.
- Rigid metal transition ducts reduce the risk of crushing and kinking.

UL-LISTED FLEXIBLE METAL CLOTHES DRYER TRANSITION DUCT

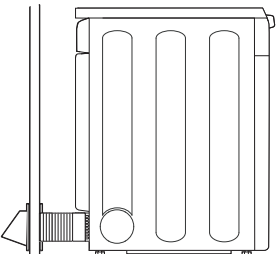
- If rigid metal cannot be used, then UL-listed flexible metal clothes dryer transition duct (GE Appliances part – PM08X10085) can be used.
- Never install transition duct in walls, ceilings, floors or other enclosed spaces.
- Total length of transition duct should not exceed 8' (2.4 m).
- For many applications, installing elbows at both the dryer and the wall is highly recommended (see illustrations in next section). Elbows allow the dryer to sit close to the wall without kinking and/or crushing the transition duct, maximizing drying performance.
- Avoid resting the duct on sharp objects.

UL-LISTED FLEXIBLE METAL (FOIL-TYPE) TRANSITION DUCT

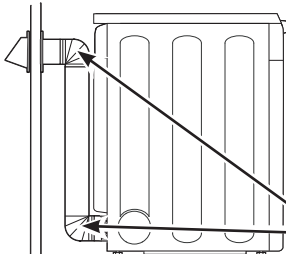
- In special installations, it may be necessary to connect the dryer to the home exhaust vent using flexible metal (foil-type) transition duct. UL-LISTED universal flexible dryer transition duct (GE Appliances parts – PM8X73 or WX8X73) may be used **ONLY** in installations where rigid metal or flexible metal transition ducting cannot be used **AND** where a 4" diameter can be maintained throughout the entire length of the transition duct.
- In Canada and the United States, only transition ducts that comply with "**UL 2158A STANDARD FOR CLOTHES DRYER TRANSITION DUCT**" shall be used.
- Avoid resting the duct on sharp objects.
- For best drying performance:
 1. Slide one end of the duct over the clothes dryer outlet pipe.
 2. Secure the duct with a clamp.
 3. With the dryer in its permanent position, extend the duct to its full length. Allow 2" of duct to overlap the exhaust pipe. Cut off and remove excess duct. Keep the duct as straight as possible for maximum airflow.
 4. Secure the duct to the exhaust pipe with the other clamp.

Installation Instructions

EXHAUSTING THE DRYER (cont.)

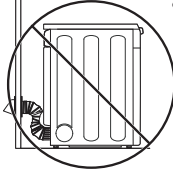


- **DO** cut duct as short as possible and install straight into wall.

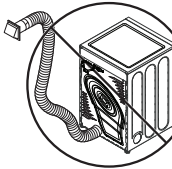


- **DO** use elbows when turns are necessary.

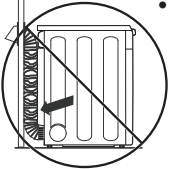
Elbows



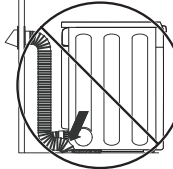
- **DO NOT** bend or collapse ducting. Use elbows if turns are necessary.



- **DO NOT** use excessive exhaust length. Cut duct as short as possible.



- **DO NOT** crush duct against the wall.



- **DO NOT** set dryer on duct.

EXHAUST LENGTH

Using exhaust longer than specified length will:

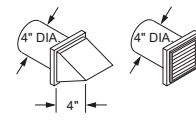
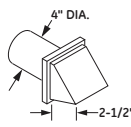
- Increase the drying times and the energy cost.
- Reduce the dryer life.
- Accumulate lint, creating a potential fire hazard.

The correct exhaust installation is YOUR RESPONSIBILITY.

Problems due to incorrect installation are not covered by the warranty.

The **MAXIMUM ALLOWABLE** length of the exhaust system depends upon the type of duct, number of turns, the type of exhaust hood (wall cap) and all conditions noted on the chart.

- Internal elbows added for side or bottom vent conversions must be included in the total elbow count.
- Any elbow greater than 45° should be treated as a 90° elbow; one elbow of 45° or less may be ignored.
- Two 45° elbows will be treated like one 90° elbow.
- For the side exhaust installations, add one 90° elbow to the chart.
- For every additional 90° elbow, reduce the allowable vent system length by 10 feet.
- When calculating the total vent system length, you must add all the straight portions and elbows of the system (including the transition duct).

EXHAUST LENGTH	RECOMMENDED MAXIMUM LENGTH	
	Exhaust Hood Types	
	Recommended	Use only for short run installations
		
No. of 90° Elbows	Rigid Metal	Rigid Metal
0	90 Feet	60 Feet
1	60 Feet	45 Feet
2	45 Feet	35 Feet
3	35 Feet	25 Feet
4	25 Feet	15 Feet

Installation Instructions

EXHAUSTING THE DRYER (cont.)

EXHAUST SYSTEM CHECKLIST

HOOD OR WALL CAP

- Terminate in a manner to prevent back drafts or entry of birds or other wildlife.
- Termination should present minimal resistance to the exhaust airflow and should require little or no maintenance to prevent clogging.
- Wall caps must be installed at least 12" above ground level or any other obstruction with the opening pointed down.

SEPARATION OF TURNS

- For best performance, separate all turns by at least 4 ft. of straight duct, including distance between last turn and dampened exhaust hood (wall cap).

SEALING OF JOINTS

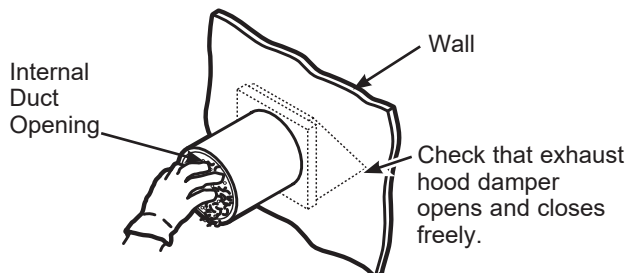
- All joints should be tight to avoid leaks. The male end of each section of duct must point away from the dryer.
- Duct joints should be made air- and moisture-tight by wrapping the overlapped joints with duct tape or aluminum tape.
- Do not assemble ductwork with any fasteners that extend into the duct. These fasteners can accumulate lint, creating a potential fire hazard.
- Horizontal runs should slope down towards the outdoors 1/4" per foot.
- Provide an access for inspection and cleaning of the exhaust system, especially at turns and joints. Exhaust system shall be inspected and cleaned at least once a year.

INSULATION

- Ductwork that runs through an unheated area or is near air conditioning should be insulated to reduce condensation and lint build-up.

BEFORE YOU BEGIN

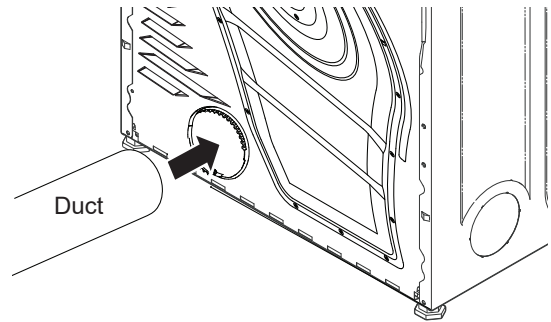
- Remove and discard existing plastic or metal foil duct and replace with UL-listed duct.
- Remove any lint from the wall exhaust opening.



STANDARD REAR EXHAUST

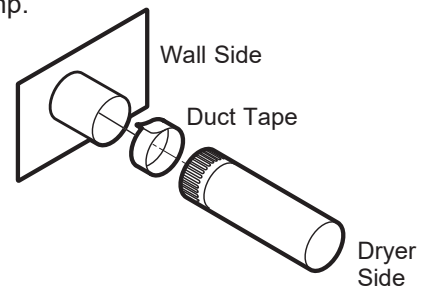
We recommend that you install your dryer before installing your washer. This will permit direct access for easier exhaust connection.

Slide the end of the exhaust duct on the back of the dryer and secure with duct tape or a hose clamp.



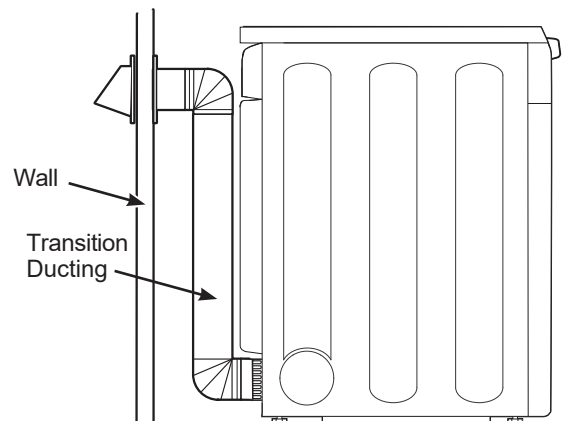
NOTE: We strongly recommend using rigid metal exhaust duct. However, if flexible ducting is used it must be UL-Listed metal, not plastic.

- For straight line installation, connect the dryer exhaust to the external exhaust hood using duct tape or clamp.



RECOMMENDED CONFIGURATION TO MINIMIZE EXHAUST BLOCKAGE

Using duct elbows will prevent duct kinking and collapsing.



Installation Instructions

EXHAUSTING THE DRYER (cont.)

SIDE OR BOTTOM VENTING

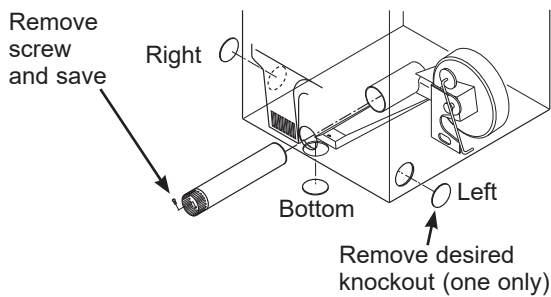
⚠ WARNING - Fire Hazard

Disconnect dryer from electrical supply.

Wear gloves and arm guards.

Close the back opening with cover plate (Kit WE49X22606).

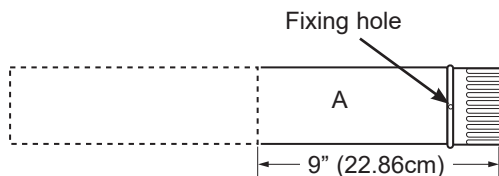
Failure to do so may result in fire, electrical shock or lacerations.



Detach and remove the right, left or bottom knockout as desired. Remove the screw inside the dryer exhaust duct and save.

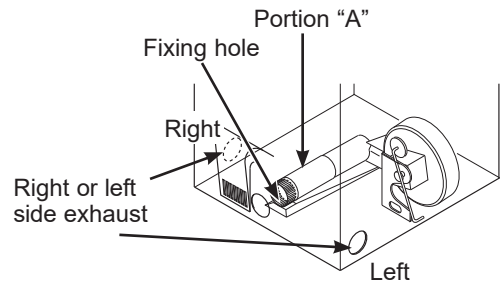
Pull the duct out of the dryer.

Cut the duct as shown and keep portion A.



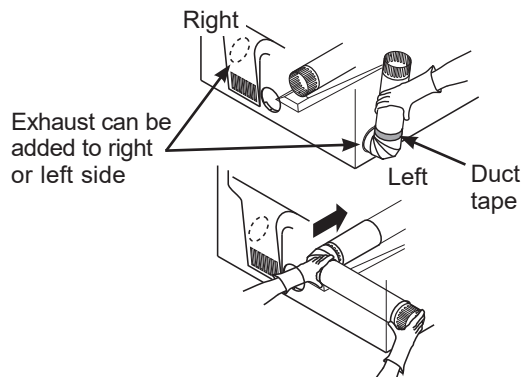
SIDE OR BOTTOM VENTING (cont.)

ADDING A NEW DUCT



Reconnect the cut portion (A) of the duct to the blower housing. Make sure that the shortened duct is aligned with the tab in the base. Use the screw saved previously to secure the duct in place through the tab on the appliance base.

ADDING ELBOW AND DUCT FOR EXHAUST TO RIGHT OR LEFT SIDE OF CABINET



- Preassemble 4" elbow with 4" duct. Wrap duct tape around joint.
- Insert duct assembly, elbow first, through the side opening and connect the elbow to the dryer internal duct.

Be sure not to pull or damage the electrical wires inside the dryer when inserting the duct.

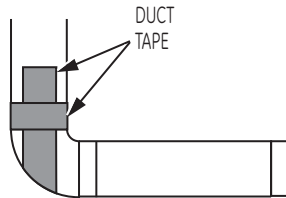
Installation Instructions

EXHAUSTING THE DRYER (cont.)

SIDE OR BOTTOM VENTING (cont.)

ADDING ELBOW AND DUCT FOR EXHAUST TO LEFT OR RIGHT SIDE OF CABINET (cont.)

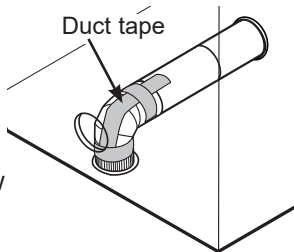
- Apply duct tape as shown on the joint between the dryer internal duct and the elbow, and also the joint between the elbow and the side duct.



Use 4" rigid metal ducting only inside the dryer. Internal duct joints must be secured with tape, otherwise they may separate and cause a safety hazard.

ADDING ELBOW FOR EXHAUST THROUGH BOTTOM OF CABINET

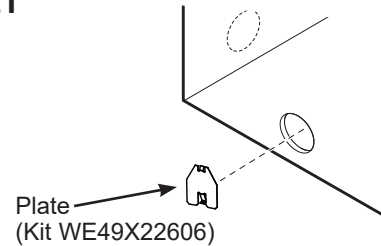
- Insert the elbow through the rear opening and connect it to the dryer internal duct.
- Apply duct tape as shown on the joint between the dryer internal duct and the elbow, and also the joint between the elbow and the bottom duct.



Internal duct joints must be secured with tape; otherwise, they may separate and cause a safety hazard.

SIDE OR BOTTOM VENTING (cont.)

ADDING COVER PLATE TO REAR OF CABINET



Connect standard metal elbows and ducts to complete the exhaust system. Cover back opening with the plate (kit WE49X22606) which can be purchased from **GEApplianceparts.com** or a local service provider. Place dryer in final location.

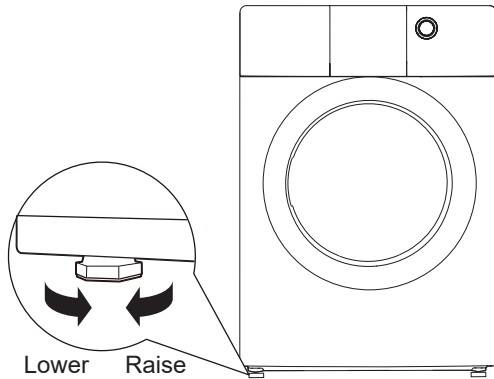
NEVER LEAVE THE BACK OPENING WITHOUT THE PLATE.

Installation Instructions

FINAL SETUP

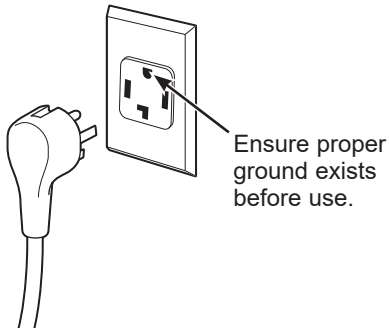
1 LEVEL THE DRYER

Stand the dryer upright near the final location and adjust the four leveling legs at the corners to ensure that the dryer is level from side to side and front to rear.



2 PLUG DRYER IN

NOTE: Stacking installations may require a power cord up to 6 feet in length.



3 DRYER START-UP

Press the **Power** button.

Power



NOTE: If the dryer has been exposed to temperatures below freezing for an extended period of time, allow it to warm up before pressing **Power**. Otherwise, the display will not come on.

The dryer is now ready for use.

⚠ WARNING - Electrical Shock Hazard

Disconnect power supply before servicing.

Replace all parts and panels before operating.

Failure to do so can result in death or electrical shock.

Installation Instructions

STACKING THE WASHER AND DRYER (if desired)

If you are planning to stack the washer and dryer, order Stacking Kit number **GFA24KITL** to be used for this dryer. Kit sold separately.

BEFORE YOU BEGIN

Read these instructions completely and carefully.

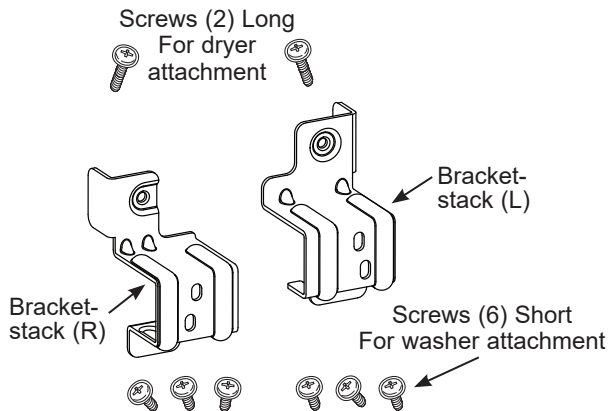
- **IMPORTANT** – Save these instructions for local electrical inspector's use.
- **IMPORTANT** – Observe all governing codes and ordinances.
- **Note to Installer** – Be sure to leave these instructions with the Consumer.
- **Note to Consumer** – Keep these instructions for future reference.
- Service **must** be performed by a qualified installer.
- Do not allow children on or in the appliance. Close supervision of children is necessary when the appliance is used near children.
- Proper installation is the responsibility of the installer.

GE APPLIANCES STACK KIT

Order on-line at GEApplianceParts.com, 24 hours a day or by phone at **877.959.8688** during normal business hours.

Part Number	Accessory
GFA24KITL	Complete Stack Kit

KIT CONTENTS (GE APPLIANCES KIT # GFA24KITL)



TOOLS YOU WILL NEED

- ☐ Phillips screwdriver
 - ☐ Level
 - ☐ Gloves
-

REQUIREMENTS FOR ALCOVE OR CLOSET INSTALLATION

⚠ WARNING - Explosion Hazard

Keep flammable materials and vapors, such as gasoline, away from dryer.

Place dryer at least 18" (46 cm) above the floor for a garage installation.

Failure to do so can result in death, explosion, or fire.

- The dryer **MUST** be vented to the outdoors.
- Minimum clearance between dryer cabinet and adjacent walls or other surfaces is:
 - 1" either side
 - 3" front and rear
 - 1" top
- The rear of the dryer should face a wall.
- Consideration must be given to provide adequate clearance for installation and service.
- Closet doors must be louvered or otherwise ventilated and have at least 60 square inches of open area. If the closet contains both a washer and a dryer, doors must contain a minimum of 120 square inches of open area.

NOTE: WHEN THE EXHAUST DUCT IS LOCATED AT THE REAR OF THE DRYER, THE CONFIGURATION OF THE DUCTING MAY REQUIRE GREATER THAN 3" OF REAR CLEARANCE.

MINIMUM CLEARANCE OTHER THAN ALCOVE OR CLOSET INSTALLATION

Minimum clearance to combustible surfaces and for air opening are: 1" both sides, 3" rear and 1" top.

The rear of the dryer should face a wall.

Consideration must be given to provide adequate clearance for installation and service.

INSTALLATION PREPARATION

Remove the packaging.

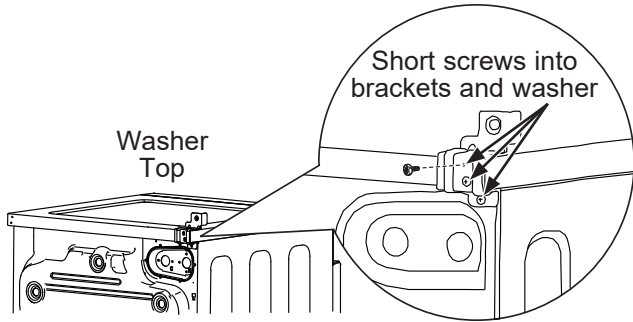
Flatten the product carton to use as a pad to lay the dryer down on its side. Continue using the carton to protect the finished floor in front of the installation location.

Installation Instructions

INSTALLING THE STACK BRACKET KIT

1 INSTALL BRACKET TO WASHER

- A. Remove washer top cap screw from the rear left. Align left bracket holes with top cap screw hole on rear left of the unit and replace screw.
NOTE: Leave screws loose so dryer hole alignment will be easier.
- B. Drive next screw through the bracket into the rear of the washer.
- C. Repeat the above steps with the right side.



2 INSTALL DRYER AND BRACKET ON DRYER

⚠ WARNING Disconnect power before installing. Failure to do so could result in serious injury or death.

⚠ WARNING  - Excessive Weight Hazard

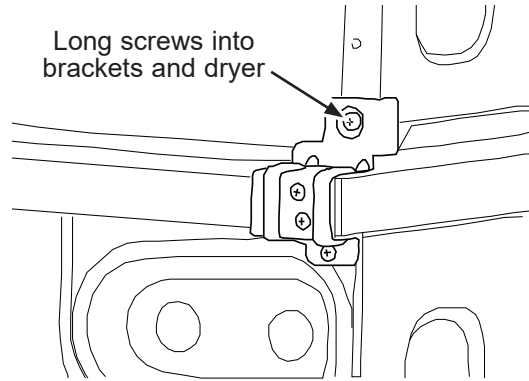
Failure to do so may result in back or other injury, or property damage.

- Use two or more people to install dryer.
- Avoid tipping and rupture of utility services.
- Dryer must be securely attached to the washer.
- **DO NOT** place the washer on top of the dryer.

- A. Lift the dryer on top of the washer. Protect the washer control panel with cardboard or other protection. Be sure to lift the dryer high enough to clear the washer control panel.
- B. Align the holes in the bracket with the holes in the back of the dryer. Using a Phillips screwdriver, attach the 2 #8 x 1/2" tapping screws.

2 INSTALL DRYER AND BRACKET ON DRYER (CONT.)

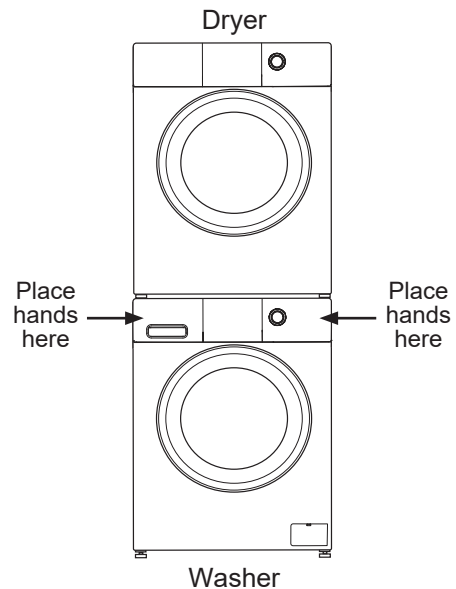
- C. Tighten the dryer bracket screws; then tighten all stacking kit screws.



3 FINALIZE THE INSTALLATION

⚠ CAUTION Do not push on the dryer once installed to top of the washer. Pushing on the dryer may result in pinched fingers.

- A. Refer to the washer Installation Instructions to complete the washer installation.
- B. Refer to the dryer Installation Instructions to complete the dryer installation.
- C. Carefully slide or walk the stacked washer and dryer into place. Use felt pads or other sliding device to assist moving and to protect flooring.



Installation Instructions

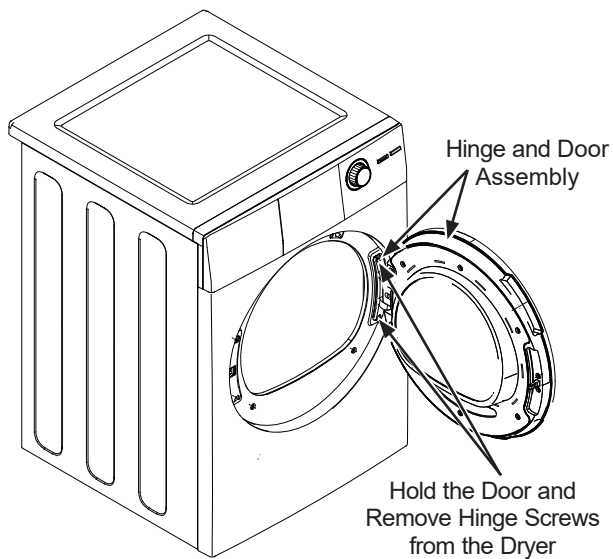
REVERSING THE DOOR SWING (Optional)

IMPORTANT NOTES

- Before you start, unplug the dryer from its electrical outlet.
- Handle parts carefully to avoid scratching paint.
- Provide a non-scratching work surface for the doors.
- Tools you will need: Phillips-head screwdriver.
- Once you begin, do not move the cabinet until door-swing reversal is completed.
- These instructions are for changing the hinges from the right side to the left side—if you ever want to switch them back to the right side, follow these same instructions and reverse all references to the left and right.

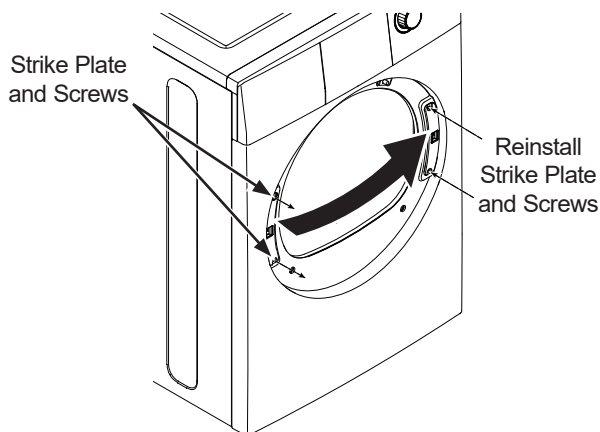
1 REMOVE THE DOOR ASSEMBLY

- Open the door. Remove the two screws holding the hinge/door assembly to the dryer. Carefully set the hinge/door assembly aside.



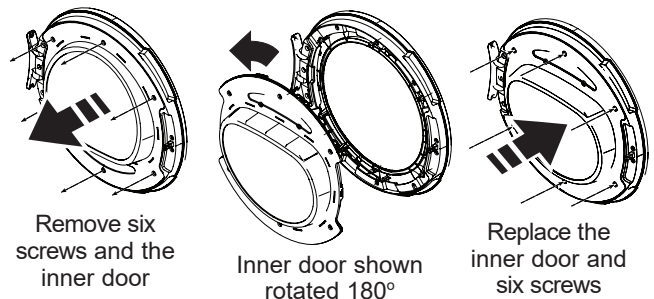
2 REMOVE, ROTATE AND REPLACE THE STRIKE PLATE

- Remove the two screws holding the strike plate. Rotate it and install it on the opposite side.



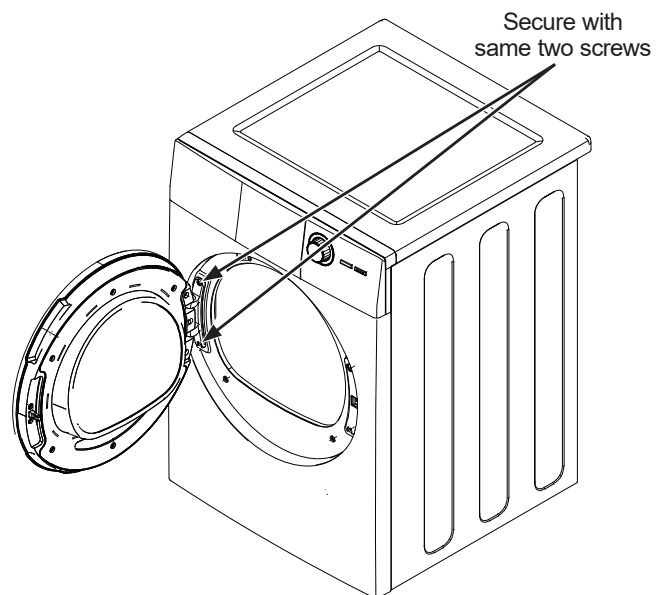
3 REMOVE, ROTATE AND REPLACE THE INNER DOOR

- Remove the six screws securing the inner door to the outer door. Remove the inner door, rotate it 180° and reinstall it into the outer door using the same six screws.



4 ROTATE AND REPLACE THE HINGE/DOOR ASSEMBLY

- Rotate and replace the hinge/door assembly, on the opposite side, using the same two screws.



Notes

Troubleshooting Tips... Before you call for service

Problem	Possible Cause	What To Do
Dryer shakes or makes noise	Some shaking/noise is normal. Dryer may be sitting unevenly.	Move dryer to an even floor space, or adjust leveling legs as necessary until even.
Clothes take too long to dry	Improper or obstructed ducting	Check the Installation Instructions to make sure the dryer venting is correct. Make sure ducting is clean, free of kinks and unobstructed. Check to see if outside wall damper operates easily.
	Improper sorting	Separate heavy items from lightweight items (generally, a well-sorted washer load is a well-sorted dryer load).
	Large loads of heavy fabrics (like beach towels)	Large, heavy fabrics contain more moisture and take longer to dry. Separate large, heavy fabrics into smaller loads to speed drying time.
	Controls improperly set	Match control settings to the load you are drying.
	Lint filter is full	Clean lint filter before every load.
	Blown fuses or tripped circuit breaker	Replace fuses or reset circuit breakers. Since most dryers use 2 fuses/breakers, make sure both are operating.
	Overloading/combining loads	Do not put more than one washer load in the dryer at a time.
	Underloading	If you are drying only one or two items, add a few items to ensure proper tumbling.
The Dry dryness level was chosen but load is still damp	Load consists of a mixture of heavy and light fabrics	When combining heavy and light fabrics in a load, choose More Dry .
	Lint filter is blocked	Inspect and clean lint filter.
	Dry Sensor is dirty	Clean the sensor with a moist cloth.
Control buttons not responding	Controls accidentally put in service mode	Press Start/Pause .
	Controls accidentally put in lock mode	Hold the Lock Control button for 3 seconds to unlock the dryer.
	Controls performed an incorrect operation	Reset the in-house breaker.
Dryer doesn't start	Control panel is "asleep"	This is normal. Press Power to activate the control panel.
	Dryer is unplugged	Make sure the dryer plug is pushed completely into the outlet.
	Fuse is blown/circuit breaker is tripped	Check the building's fuse/circuit breaker box and replace fuse or reset breaker. NOTE: Electric dryers use two fuses or breakers.
	Dryer was accidentally paused when starting Delay Dry	If the light on the Start/Pause button is flashing, the dryer is paused. Press Start/Pause to restart the countdown.
No numbers displayed during cycle, only lights	Dryer is continuously monitoring the amount of moisture in the clothes	This is normal. When the dryer senses a low level of moisture in the load, the dryer will display the dry time remaining.

Troubleshooting Tips... Before you call for service

Problem	Possible Causes	What To Do
Time Remaining jumped to a lower number	The estimated time may change when a smaller load than usual is drying	This is normal.
Cannot make a selection and the dryer beeps twice	The dryness Level, Temp or option that you are trying to select is incompatible with the chosen dry cycle	This is normal.
Dryer is running but 00 is displayed in Time Remaining	The Ext Tumble option was chosen	This is normal. During extended tumbling, the time remaining is not displayed. The extended tumbling option lasts approximately 60 minutes.
Clean Lint Filter (message)	Power button was activated	Press Start/Pause to begin a dry cycle and the message will disappear.
Dryer doesn't heat	Fuse is blown/circuit breaker is tripped; the dryer may tumble but not heat	Check the building's fuse/circuit breaker box and replace both fuses or reset both breakers. Your dryer may tumble if only one fuse is blown or one breaker tripped.
Inconsistent drying times	Type of load and drying conditions	The load size, types of fabric, wetness of clothes and the condition of the lint filter and/or air intake vent located on the front of the dryer will affect drying times.
	Type of load and drying conditions	The load size, types of fabric, wetness of clothes and the length and condition of the exhaust system will affect drying times.
Glow at the rear of the drum	Heaters behind the drum	This is normal. Under certain drying conditions and room ambient lighting, the glow of the heaters may be visible at the rear of the drum.
Clothes are still wet and dryer shut off after a short time	The door was opened mid-cycle. The load was then removed from the dryer and a new load put in without selecting a new cycle	A dry cycle must be reselected each time a new load is put in.
	Small load	When drying 3 items or less, choose Quick Dry or Time Dry .
	Load was already dry except for collars and waistbands	Choose Quick Dry or Time Dry to dry damp collars and waistbands. In the future, when drying a load with collars and waistbands, choose More Dry .
	Dryer is not level	Move dryer to an even floor space or adjust leveling legs as necessary until even.
Clothes are wrinkled	Overdrying	Select a shorter drying time. Remove items while they still hold a slight amount of moisture. Select a Less Dry or Damp setting.
	Letting items sit in dryer after cycle ends Overloading	Remove items when cycle ends and fold or hang immediately, or use the Ext Tumble option. Separate large loads into smaller ones.

Troubleshooting Tips... Before you call for service

Problem	Possible Causes	What To Do
Clothes shrink	Some fabrics will naturally shrink when washed. Others can be safely washed, but will shrink in the dryer.	To avoid shrinkage, follow garment care labels exactly. Some items may be pressed back into shape after drying. If you are concerned about shrinkage in a particular item, do not machine wash or tumble dry it.
Greasy spots on clothes	Improper use of fabric softener	Follow directions on fabric softener package.
	Drying dirty items with clean ones	Use your dryer to dry only clean items. Dirty items can stain clean items and the dryer.
	Clothes were not completely clean	Sometimes stains which cannot be seen when the clothes are wet appear after drying. Use proper washing procedures before drying.
Lint on clothes	Lint filter is full	Clean lint screen before each load.
	Improper sorting	Sort lint producers (like chenille) from lint collectors (like corduroy).
	Static electricity can attract lint	See suggestions in this section under Static occurs .
	Overloading	Separate large loads into smaller ones.
	Paper, tissue, etc., left in pockets	Empty all pockets before laundering clothes.
Static occurs	No fabric softener was used	Try a fabric softener. Bounce® Fabric Conditioner Dryer Sheets have been approved for use in all GE Appliances dryers when used in accordance with the manufacturer's instructions.
	Overdrying	Try a fabric softener. Adjust setting to Less Dry or Damp .
	Synthetics, permanent press and blends can cause static	Try a fabric softener.
Collars and waistbands still wet at end of cycle	The dryness monitor senses that the body of the clothes is dry	Choose Quick Dry or Time Dry to dry damp collars and waistbands. In the future, when drying a load with collars and waistbands, choose More Dry .
Slight variation in metallic color	This is normal	Due to the metallic properties of paint used for this unique product, slight variations of color may occur due to viewing angles and lighting conditions.
Dryer continues to tumble after display says Complete	Ext Tumble was selected	Ensure Ext Tumble option is not selected.

GE Appliances Dryer Limited Warranty

LIMITED WARRANTY

GEAppliances.com

All warranty service is provided by our Factory Service Centers, or an authorized Customer Care® technician. To schedule service online, visit us at GEAppliances.com/service, or call GE Appliances at 800.GE.CARES (800.432.2737). Please have your serial number and your model number available when calling for service.

Servicing your appliance may require the use of the onboard data port for diagnostics. This gives a GE Appliances factory service technician the ability to quickly diagnose any issues with your appliance and helps GE Appliances improve its products by providing GE Appliances with information on your appliance. If you do not want your appliance data to be sent to GE Appliances, please advise your technician not to submit the data to GE Appliances at the time of service.

For the period of:	We will replace:
One year From the date of the original purchase	Any part of the dryer which fails due to a defect in materials or workmanship. During this limited one-year warranty , we will also provide, free of charge , all labor and related service to replace the defective part.

What is not covered:

- Service trips to your home to teach you how to use the product.
- Improper installation, delivery or maintenance.
- Failure of the product if it is abused, misused, or used for other than the intended purpose or used commercially.
- Replacement of house fuses or resetting of circuit breakers.
- Products which are not defective or broken, or which are working as described in the Owner's Manual.
- Damage to the product caused by accident, fire, floods or acts of God.
- Incidental or consequential damage caused by possible defects with this appliance.
- Defects or damage due to operation in freezing temperatures.
- Damage caused after delivery.
- Product not accessible to provide required service.

EXCLUSION OF IMPLIED WARRANTIES

Your sole and exclusive remedy is product repair as provided in this Limited Warranty. Any implied warranties, including the implied warranties of merchantability or fitness for a particular purpose, are limited to one year or the shortest period allowed by law.

In the United States:

This limited warranty is extended to the original purchaser and any succeeding owner for products purchased for home use within the USA. If the product is located in an area where service by a GE Appliances Authorized Servicer is not available, you may be responsible for a trip charge or you may be required to bring the product to an Authorized GE Appliances Service location for service. In Alaska, the limited warranty excludes the cost of shipping or service calls to your home.

Some states do not allow the exclusion or limitation of incidental or consequential damages. This limited warranty gives you specific legal rights, and you may also have other rights which vary from state to state. To know what your legal rights are, consult your local or state consumer affairs office or your state's Attorney General.

Warrantor: GE Appliances, a Haier Company
Louisville, KY 40225

In Canada:

This limited warranty is extended to the original purchaser and any succeeding owner for products purchased in Canada for home use within Canada. If the product is located in an area where service by a GE Appliances Authorized Servicer is not available, you may be responsible for a trip charge or you may be required to bring the product to an Authorized GE Appliances Service location.

Some provinces do not allow the exclusion or limitation of incidental or consequential damages. This limited warranty gives you specific legal rights, and you may also have other rights which vary from province to province. To know what your legal rights are, consult your local or provincial consumer affairs office.

Warrantor: MC Commercial Inc., Burlington, ON, L7R 5B6

Extended Warranties: Purchase a GE Appliances extended warranty and learn about special discounts that are available while your warranty is still in effect. You can purchase it online anytime at

GEAppliances.com/extended-warranty

or call 800.626.2224 during normal business hours. GE Appliances Service will still be there after your warranty expires.

Staple your receipt here. Proof of the original purchase date is needed to obtain service under the warranty.

Consumer Support

GE Appliances Website

Have a question or need assistance with your appliance? Try the GE Appliances Website 24 hours a day, any day of the year! You can also shop for more great GE Appliances products and take advantage of all our on-line support services designed for your convenience. In the US: GEAppliances.com.

In Canada: GEAppliances.ca.

Register Your Appliance

Register your new appliance on-line at your convenience! Timely product registration will allow for enhanced communication and prompt service under the terms of your warranty, should the need arise. You may also mail in the pre-printed registration card included in the packing material. In the US: GEAppliances.com/register.

In Canada: Prodsupport.mabe.ca/crm/Products/ProductRegistration.aspx.

Schedule Service

Expert GE Appliances repair service is only one step away from your door. Get on-line and schedule your service at your convenience any day of the year. In the US: GEAppliances.com/service or call 800.432.2737 during normal business hours.

In Canada: GEAppliances.ca/en/support/service-request or call 800.561.3344.

Extended Warranties

Purchase a GE Appliances extended warranty and learn about special discounts that are available while your warranty is still in effect. You can purchase it on-line anytime. GE Appliances Services will still be there after your warranty expires. In the US: GEAppliances.com/extended-warranty or call 800.626.2224 during normal business hours.

In Canada: GEAppliances.ca/en/support/purchase-extended-warranty or call 866.277.9842.

Remote Connectivity

For assistance with wireless network connectivity (for models with remote enable), in the US visit our website at GEAppliances.com/connected-home-smart-appliances/ or call 800.220.6899.

In Canada: <http://www.geappliances.ca/en/news-and-promotions/what-is-hot/wifi-connect/>.

Parts and Accessories

Individuals qualified to service their own appliances can have parts or accessories sent directly to their homes (VISA, MasterCard and Discover cards are accepted). Order on-line today 24 hours every day.

In the US: GEApplianceparts.com or by phone at 877.959.8688 during normal business hours.

In Canada: GEAppliances.ca/en/products/parts-filters-accessories or call 800.661.1616.

Instructions contained in this manual cover procedures to be performed by any user. Other servicing generally should be referred to qualified service personnel. Caution must be exercised, since improper servicing may cause unsafe operation.

Contact Us

If you are not satisfied with the service you receive from GE Appliances, contact us on our Website with all the details including your phone number, or write to:

In the US: General Manager, Customer Relations | GE Appliances, Appliance Park | Louisville, KY 40225
GEAppliances.com/contact.

In Canada: Director, Consumer Relations, MC COMMERCIAL INC. | Suite 310, 1 Factory Lane | Moncton, N.B. E1C 9M3
GEAppliances.ca/en/contact-us.



SÈCHES

CONSIGNES DE SÉCURITÉ3

UTILISATION DE LA SÈCHEUSE
 Pour démarrer 4
 Chargement.....8
 Caractéristiques8

ENTRETIEN ET NETTOYAGE...9

**INSTRUCTIONS
 D'INSTALLATION**.....11
 Comment superposer la sècheuse à la
 laveuse (Optionnel) 24
 Inversion de l'ouverture de la porte
 (Optionnel) 26

CONSEILS DE DÉPANNAGE...28

GARANTIE LIMITÉE.....31

SERVICE À LA CLIENTÈLE32

GUIDE DE L'UTILISATEUR ET INSTRUCTION D'INSTALLATION

GFD14

Inscrivez ici les numéros
de modèle et de série :

Modèle # _____

Série # _____

Ces informations figurent sur
l'étiquette située à l'avant de
la sècheuse, derrière la porte.

NOUS VOUS REMERCIONS D'ACCUEILLIR GE APPLIANCES CHEZ VOUS

Que vous ayez grandi avec GE Appliances ou qu'il s'agisse de votre première acquisition, nous sommes heureux de vous accueillir dans notre famille.

Nous sommes fiers du savoir-faire, de l'innovation et de l'esthétique qui composent chaque appareil GE Appliances, et nous pensons que vous le serez aussi. Dans cette optique, nous vous rappelons que l'enregistrement de votre électroménager vous assure la communication de renseignements importants sur le produit et la garantie lorsque vous en avez besoin.

Enregistrez votre électroménager GE en ligne dès maintenant. Des sites Web et des numéros de téléphone utiles figurent dans la section Soutien au consommateur de ce manuel d'utilisation. Vous pouvez aussi poster la fiche de garantie préimprimée incluse dans l'emballage.



GE APPLIANCES

CONSIGNES DE SÉCURITÉ IMPORTANTES

LIRE TOUTES LES CONSIGNES AVANT D'UTILISER L'APPAREIL

⚠ AVERTISSEMENT

Pour réduire le risque d'incendie, d'explosion, de choc électrique ou de blessure aux personnes utilisant cet appareil, observez des précautions élémentaires dont les suivantes :

- Lisez toutes les instructions avant d'utiliser l'appareil.
- **NE** séchez **PAS** les articles qui ont été précédemment nettoyés, lavés, trempés, ou détachés à l'aide d'essence, de solvants de nettoyage à sec ou d'autres substances inflammables ou explosives, puisqu'ils peuvent émettre des vapeurs susceptibles de s'enflammer ou d'exploser.
- **NE** placez **PAS** d'articles exposés aux huiles de cuisson dans la sècheuse. Les articles souillés par les huiles de cuisson peuvent faciliter des réactions chimiques susceptibles d'enflammer une brassée. Pour réduire le risque d'incendie en raison de charges contaminées, la dernière partie du cycle de sèche-linge se produit sans chaleur (période de refroidissement). Évitez d'arrêter une sècheuse avant la fin du cycle de séchage à moins que tous les articles soient rapidement enlevés et répartis de telle sorte que la chaleur est dissipée.
- **N'**autorisez **PAS** les enfants à jouer sur ou dans cet appareil. Une surveillance étroite est requise lorsque des enfants se trouvent à proximité de l'appareil en fonctionnement.
- Enlevez la porte de la sècheuse lorsque l'appareil est mis hors service ou au rebut.
- **NE** vous penchez **PAS** dans l'appareil lorsque le tambour est en rotation.
- **N'**installez **PAS** et ne rangez **PAS** cet appareil à un endroit exposé aux intempéries.
- **NE** modifiez **PAS** les commandes.
- **ABSTENEZ-VOUS** de grimper ou de vous tenir sur l'appareil.
- **NE** réparez **PAS** cet appareil, en totalité ou en partie, en remplacez une quelconque pièce, à moins que cela ne soit expressément recommandé dans les instructions d'entretien ou de réparation destinées à l'utilisateur dont vous avez une compréhension et une compétence suffisantes pour les appliquer.
- Suivez toutes les instructions et avertissements de soin des tissus pour éviter que les vêtements fondent ou des dommages à l'appareil.
- **N'**employez **PAS** de produits assouplissants NI d'agents antistatiques à moins que leur utilisation ne soit recommandée par leurs fabricants.
- **NE** sécher **PAS** des articles qui contiennent du caoutchouc mousse ou des matières à texture caoutchouteuse similaire.
- Nettoyez le filtre à charpie et nettoyez avant ou après chaque chargement.
- **N'**utilisez **PAS** la sècheuse sans que le filtre à charpie **ne** soit en place.
- **NE** rangez **PAS** de matières combustibles, de l'essence ni d'autres liquides inflammables à proximité de la sècheuse. Gardez la zone autour de l'ouverture d'évacuation et tout l'espace adjacent libres de charpie, de poussière et de saletés.
- L'intérieur de l'appareil et le tuyau d'évacuation doivent être nettoyés régulièrement par du personnel qualifié.
- Débranchez l'appareil ou fermez le disjoncteur avant une réparation. Le fait d'appuyer sur le bouton Power (Alimentation) ou sur le bouton **Start/Pause** (Mise en marche/pause) **NE** coupe **PAS** l'alimentation électrique.
- **NE** faites **PAS** fonctionner cet appareil s'il est endommagé, ne fonctionne pas correctement, est en partie démonté, ou encore si des pièces sont manquantes ou abîmées, y compris le cordon électrique ou sa fiche.
- **NE** vaporisez **AUCUN** type d'aérosol dans, sur ou à proximité de la sècheuse, et ce en tout temps. **N'**utilisez **AUCUN** type de nettoyant en vaporisateur lorsque vous nettoyez l'intérieur de la sècheuse. Cela poserait un risque de vapeurs dangereuses ou de choc électrique.
- Consultez la section « RENSEIGNEMENTS SUR LES RACCORDS ÉLECTRIQUES » des instructions d'installation pour connaître la procédure de mise à la terre.

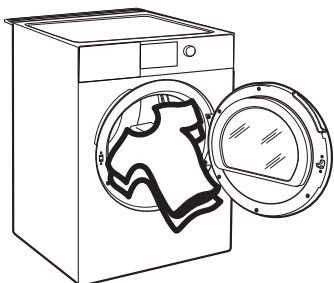
LIRE ET CONSERVEZ CES DIRECTIVES

Comment démarrer

⚠ AVERTISSEMENT Pour réduire le risque d'incendie, de choc électrique ou de blessure, lisez les **CONSIGNES DE SÉCURITÉ IMPORTANTES** avant de faire fonctionner cet appareil.

Les caractéristiques et l'apparence de la cuisinière montrée dans ce manuel peuvent varier selon le modèle.

Étape 1

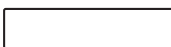


- Chargez le linge sans le tasser.
- Fermez la porte.

REMARQUE : La sècheuse ne démarre pas lorsque la porte est ouverte.

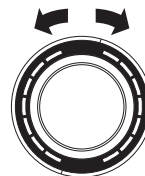
Étape 2

Power



- Si l'écran est obscur, appuyez sur le bouton Power (alimentation) pour activer l'afficheur.

Étape 3



- Sélectionnez le cycle de séchage. (Des réglages par défaut sont établis pour chaque cycle de séchage. Ces réglages peuvent être changés. Consultez la section réglage des contrôles pour de plus amples renseignements.)

OU



- Appuyez sur le bouton Timed Dry (Séchage minuté), faites tourner le bouton pour régler la durée de séchage et appuyez sur le bouton Temp (Température) pour définir votre propre température.

Étape 4

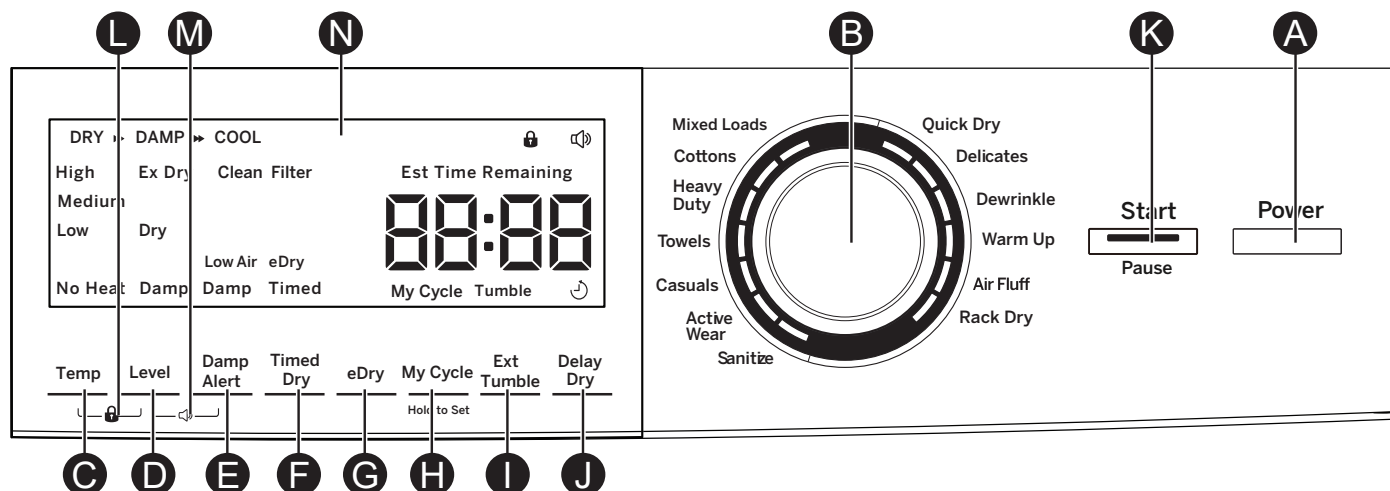
Start



Pause

- Si vous avez choisi un cycle de lavage, appuyez sur le bouton Start/ Pause (Départ/ Pause).

Commandes



A Power (alimentation)

Appuyez pour activer l'affichage. Si l'écran est actif, appuyez pour éteindre la sècheuse.

NOTE : Vous ne débranchez pas votre appareil de l'alimentation électrique en appuyant sur **Power** (alimentation).

Comment démarrer

B Cycles de séchage

Le cycle de séchage contrôle la durée du processus de séchage. Le tableau ci-dessous vous aidera à trouver le bon réglage de séchage en fonction de votre brassée.

Mixed Loads (Charges mixtes) ou Normal (Selon le modèle)	Pour les brassées constituées de cotons et de mélanges de polyester.
Cottons (Cotons)	Pour les cotons et la plupart des articles en toile. REMARQUE : Les modèles Energy Star® sont testés sur Cottons (Cotons) avec les paramètres par défaut.
Heavy Duty (Intensif)	Pour manteaux grand format, jetés de lit, housses à matelas, sacs de couchage, couvertures, douillettes, blousons, carpettes et autres articles volumineux.
Towels (Serviettes)	Pour serviettes OU draps. Il n'est pas recommandé de mélanger serviettes et draps dans la même brassée.
Casuals (Tout-Aller)	Pour les articles infroissables, sans repassage et délicats, et pour les laines.
Active Wear (Vêtements Sport)	Pour les vêtements de sports, d'exercice et certains vêtements décontractés. Les tissus bénéficient de finitions en nouvelle technologie et sont composés de fibres élastiques comme le Spandex. Aussi pour vêtements étiquetés Sans repassage (Easy Care) ou Infroissable (Perma Press) : Pour les articles qui ne nécessitent pas de repassage.
Sanitize (Désinfecter)	Réduit certains types de bactéries de 96.7 %, notamment : Staphylococcus aureus et Pseudomonas aeruginosa. Le traitement antibactérien survient lorsqu'une chaleur élevée est appliquée durant une partie du cycle de séchage.
Quick Dry (Séchage rapide)	Pour les petites brassées qui doivent être séchées rapidement, comme les tenues de sport ou les uniformes d'école. Ce cycle peut aussi être utilisé si le cycle précédent a laissé quelques articles encore humides, comme des cols ou des ceintures.
Delicates (Delicate)	Pour la lingerie et les tissus délicats.
Dewrinkle (Défroissage)	Pour les articles infroissables/entretien facile et sans repassage.
Warm Up (Préchauffage)	Fournit 25 minutes de préchauffage des vêtements.
Air Fluff (Air froid)	Fournit 30 minutes de temps de culbutage sans chaleur.
Rack Dry (Grille de séchage)	Pour les articles délicats sans culbutage, utilisez la grille de séchage. Placez les articles, tels que les pulls en laine ou les tissus délicats, à plat sur la grille de séchage. Séchez à basse température.

C

Temp

Temp (Température)

Vous pouvez modifier la température de votre cycle de séchage.

High (Haute)	Pour les cotons normaux à lourds.
Medium (Moyenne)	Pour les synthétiques, les mélanges et les articles étiquetés sans repassage.
Low (Basse)	Pour les tissus délicats, synthétiques et les articles étiquetés Tumble Dry Low (séchage par culbutage à basse température).
No Heat (Sans chaleur)	Cette option ne peut être utilisée qu'avec la commande Air Fluff (Air froid) et Timed Dry (Séchage Minuté) , par laquelle le culbutage des articles s'exécute sans chaleur.

Comment démarrer

- D** **Level (Niveau)**
 Level
 Le détecteur surveille en permanence le niveau d'humidité dans le linge. Quand l'humidité dans vos vêtements atteint le niveau de séchage que vous avez choisi, la sècheuse s'arrête.
REMARQUE : Le détecteur du taux d'humidité (**Level**) peut être utilisé avec tous les cycles sauf **Timed Dry** (Séchage Minuté), **Air Fluff** (Air froid), **Rack Dry** (Grille de séchage), **Warm Up** (Préchauffage) and **Dewrinkle** (Défroissage).
- | | |
|---------------------------|--|
| Ex Dry (Extra sec) | Utilisé pour les tissus résistants ou les articles qui ont besoin d'être très secs, comme par exemple les serviettes. |
| Dry (Sec) | Utilisé pour un niveau de séchage normal adapté à la plupart des brassées. C'est le cycle recommandé pour un fonctionnement en économie d'énergie. |
| Damp (Humide) | Pour laisser les articles partiellement humides. |
-
- E** **Damp Alert (Alerte d'humidité)**
 Damp Alert
 Cette option fait sonner la sècheuse quand les vêtements ont été séchés jusqu'à un certain niveau d'humidité. Retirez les articles que vous souhaitez étendre pour sécher. **Damp Alert** (L'Alerte d'humidité) émet un bip lorsque cette option est sélectionnée, et la sècheuse continuera à sécher. Le fait de retirer les vêtements et les étendre quand ils sont humides peut diminuer le besoin de repasser certains articles.
-
- F** **Timed Dry (Séchage minuté)**
 Timed Dry
 1. Appuyez sur le bouton de **Timed Dry** (Séchage programmé). Les lumières autour du bouton clignoteront. Sélectionnez le temps de séchage en tournant le bouton pour augmenter ou diminuer le temps par incréments de 10 minutes jusqu'à 2 heures et 30 minutes.
 2. Sélectionnez **Temp** de séchage.
 3. Fermez la porte.
 4. Appuyez sur **Start/Pause** (Mise en marche/Pause).
-
- G** **eDry (sur certains modèles)**
 eDry
 Réduit la consommation totale d'énergie des cycles spécifiques de la sècheuse en ajustant certains réglages de température.
REMARQUE : Les durées de cycle changent lorsque eDry est sélectionné.
 Les modèles **Energy Star®** sont testés sur le cycle **Cottons** avec les réglages par défaut pour déterminer le classement de la consommation d'énergie utilisée de cette sècheuse. L'option **eDry** sera activée par défaut pour **Cottons**. Les paramètres de température sur l'option High et le niveau de séchage Dry sont spécialement conçus pour ce cycle pour réduire la consommation d'énergie. Pour des économies d'énergie optimales, activez **eDry**. Pour des temps de séchage optimaux, éteindre **eDry**. Les économies d'énergie varient en fonction des charges et des cycles. La sélection **eDry** peut être utilisé avec les tissus **Mixed Loads** (Charges mixtes), **Cottons** (Cotons), **Heavy Duty** (Intensif), **Towels** (Serviettes), **Casuals** (Tout-Aller), **Active Wear** (Vêtements Sport) et **Delicates** (Delicate).
-
- H** **My Cycle (Favori)**
 My Cycle
 Hold to Set
 Configurez votre propre combinaison de réglages et enregistrez-la ici pour ensuite la lancer d'une touche. Cette configuration personnalisée peut être définie pendant qu'un cycle est en cours.
Pour enregistrer une combinaison de réglages My Cycle (Mon cycle).
 1. Sélectionnez un cycle de séchage.
 2. Changez les réglages **Temp** et **Level** afin de répondre à vos besoins.
 3. Sélectionnez toutes les options de séchage souhaitées.
 4. Appuyez sur la touche **My Cycle (Mon cycle)** et maintenez-la enfoncée pendant trois secondes pour sauvegarder votre sélection. Un bip sonore retentit et le bouton s'allume.
Pour lancer votre combinaison My Cycle (Mon cycle) enregistrée :
 Appuyez sur la touche **My Cycle (Mon cycle)** avant de sécher une brassée.
Pour modifier votre combinaison My Cycle (Mon cycle) enregistrée. Répéter les étapes 1 à 4.
-
- I** **Ext Tumble (Culbutage prolongé)**
 Ext Tumble
 Réduit le froissement en ajoutant environ 2 heures de culbutage sans chauffage après séchage des vêtements.
 L'affichage du temps restant estimé affichera « END » (Fin).
 Le temps de culbutage prolongé n'est pas ajouté à la durée du cycle affiché.

Comment démarrer

J **Delay Dry**

Delay Dry (Mise en séchage différée)
Utilisez pour retarder le démarrage de votre sècheuse.

- Sélectionnez votre cycle de séchage et toutes les options.
- Appuyez sur **Delay Dry** (Mise en séchage différée). Vous pouvez changer le délai d'attente par intervalles de 1 heure en utilisant le bouton **Delay Dry** (Mise en séchage différée).
- Appuyez sur le bouton **Start/Pause** (Mise en Marche/Pause) pour lancer le compte à rebours.

REMARQUES : Si la porte est ouverte alors que la sècheuse est en mode **Delay Dry** (Mise en séchage différée), le compte à rebours ne redémarrera pas sauf si la porte est fermée et que le bouton **Delay Dry** (Mise en séchage différée) est à nouveau enfoncée.

K **Start**

Start/Pause (Départ/Pause)
Appuyez pour mettre en marche un cycle. Si la sècheuse fonctionne, vous l'arrêtez en appuyant une fois et déverrouillez la porte. Cette fonction peut être utilisée pour ajouter des vêtements durant un cycle. Appuyez à nouveau pour remettre en marche le cycle.

NOTE : En arrêtant la sècheuse et en ne remettant pas en marche le cycle dans les 15 minutes qui suivent, vous annulez le cycle actuel.

L **Temp Level**

Lock (Verrouillage)
Vous pouvez verrouiller les contrôles pour empêcher tout choix de cycle, ou vous pouvez verrouiller les contrôles après avoir commencé un cycle.

Les enfants ne peuvent pas mettre accidentellement en marche la sècheuse en appuyant sur des touches quand vous choisissez cette option.

Pour verrouiller les contrôles de la sècheuse, maintenez enfoncés les boutons **Temp** (Température) et **Level** (Niveau) simultanément pendant 3 secondes.

Pour déverrouiller les contrôles de la sècheuse, maintenez enfoncés les boutons **Temp** (Température) et **Level** (Niveau) simultanément pendant 3 secondes. Un son retentit pour indiquer l'état verrouillé/déverrouillé.

L'icône de contrôle de verrouillage de l'affichage s'allume quand il est branché.

NOTE : Vous pouvez encore utiliser le bouton **Power** (Alimentation) quand la machine est verrouillée.

M **Damp Alert Timed Dry**

Signal (Sonnerie)
Lorsque le voyant est à marche, la sècheuse émettra un bip à la fin du cycle et à chaque fois que vous appuierez sur un bouton sur le panneau de commande.

Pour désactiver la sonnerie, appuyez sur les touches **Damp Alert** (Alerte d'humidité) et **Timed Dry** (Séchage minuté) et maintenez-les pendant 3 secondes. Un bip sonore vous indiquera l'état de verrouillage ou de déverrouillage.

N **Affichage et voyants d'état**

L'écran affiche le temps approximatif restant avant la fin du programme.
De plus, cet écran affiche l'état de la sècheuse :

Status (Etat)	DRY ► DAMP ► COOL (SEC - HUMIDE - REFROIDISSEMENT)
	Verrouillage des commandes.
	Sonnerie de fin de cycle activée.
Clean Filter (Nettoyer le filtre)	Il est nécessaire de nettoyer le filtre. Consultez la section Entretien et Nettoyage .
Low Air (Air faible)	Indique une diminution des performances du séchoir et un risque accru d'accumulation de peluches dans les conduits et le sécheur.
eDry	Indique le réglage sélectionné pour le eDry .
Temp	Affiche le réglage de température sélectionné High (Haute), Medium (Moyenne), Low (Basse) ou No Heat (Sans chaleur).
Level (Niveau)	Indique le réglage sélectionné pour le séchage Extra Dry (Extra sec), Dry (Sec) ou Damp (Humide).
Damp Alert (Alerte d'humidité)	Indique que l'avertissement Damp Alert (Alerte d'humidité) est activé et émettra un bip sonore lorsque le linge atteindra un niveau de séchage humide.
Timed (Minuté)	Indique qu'un cycle Timed Dry (Séchage minuté) est en cours. S'éteint à la fin du cycle.
Est Time Remaining (Temps restant estimé)	Affiche le temps restant estimé avant la fin du cycle.
My Cycle (Favori)	Indique que la fonction My Cycle (Favori) est en cours.
Ext Tumble (Culbutage prolongé)	Indique que la fonction Extended Tumble (Culbutage prolongé) est en cours.
	Indique que la fonction Delay Dry (Mise en séchage différée) est activée.

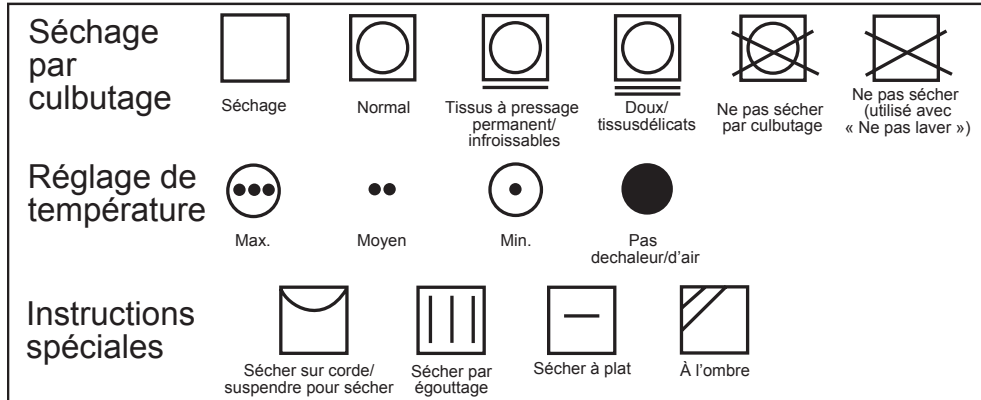
Chargement

Respectez toujours l'étiquette d'entretien du fabricant lors de la lessive.

Étiquettes d'entretien de tissu

Ci-dessous figurent les « symboles » des étiquettes d'entretien de tissu qui concernent le linge à sécher.

Séchage etiquettes



Conseils pour le tri et le chargement

⚠ AVERTISSEMENT - Risque d'incendie

- Gardez les matières et les vapeurs inflammables telles que l'essence à distance de la sècheuse.
- **NE séchez AUCUN** article qui a déjà reçu une matière inflammable (même après le lavage).
- Aucune laveuse ne peut éliminer l'huile totalement.
- **NE séchez AUCUN** article qui a déjà reçu un type d'huile quelconque (y compris les huiles de cuisson).
- Les articles qui comportent de la mousse, du caoutchouc ou du plastique doivent sécher sur une corde à linge.
- Le non-respect de ces instructions pourrait entraîner la mort, l'explosion ou l'incendie.

En règle générale, lorsque les vêtements sont correctement triés pour le lavage, ils le sont aussi pour le séchage. Essayez aussi de trier les articles en fonction de leur taille. Par exemple, ne séchez pas un drap avec des chaussettes ou d'autres petits articles.

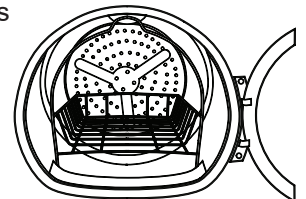
N'ajoutez pas votre feuille d'assouplissant textile lorsque la brassée a commencé à chauffer, car elle risque de provoquer des taches d'assouplissant. Les feuilles d'assouplissant de tissus BounceMD pour sècheuses ont été approuvées pour cette sècheuse si elles sont utilisées conformément aux instructions du fabricant.

Ne surchargez pas. Ceci consomme inutilement de l'énergie et cause des faux plis.

Grille de séchage

Utilisez une grille de séchage pour sécher les articles délicats, par exemple, les chandails lavables. Placez les articles à plat sur la grille de séchage, en mettant de côté les chandails en laine et les tissus délicats. Séchez à faible chaleur.

Pour installer la grille de séchage, la déployer à l'intérieur du tambour de la sècheuse et appuyez les deux pattes avant sur le rebord angulaire avant.



REMARQUES :

- La grille de séchage est conçue pour une utilisation avec le programmé de **Timed Dry** (Séchage minuté). L'utilisation de la grille avec un programme de séchage par capteur peut augmenter la durée des programmes ou conserver l'humidité dans les articles.
- N'utilisez pas la grille de séchage lorsque d'autres vêtements dans la sècheuse ne sont pas disposés sur la grille.
- La grille de séchage, **WE01X26416**, est disponible en tant qu'accessoire. Commandez en ligne à **Electromenagersge.ca/fr/produits/filtres-et-accessoires**, 24 heures par jour ou par téléphone au **800.661.1616** pendant les heures normales de travail.

Entretien et nettoyage

Intérieur et Conduit

L'intérieur de l'appareil et le conduit d'évacuation doivent être généralement confiés à un technicien qualifié.

Conduit d'évacuation : Inspectez et nettoyez le conduit d'évacuation au moins une fois par année afin d'éviter qu'il se bouche. La durée de séchage peut être augmentée lorsque l'évacuation est bouchée.

Hotte d'évacuation : Vérifiez avec un miroir que les battants intérieurs se déplacent sans difficulté au cours de l'utilisation. Vérifiez qu'il n'y a pas d'animaux ou d'insectes qui ont fait leur nid dans le conduit ou la hotte.

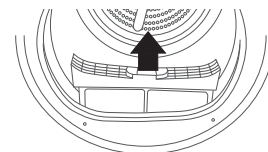
Extérieur

Essuyez ou époussetez tout déversement ou produit de lavage avec un chiffon humide. Le panneau de commande de la sècheuse peut être endommagé par certains détergents et produits détachants. Appliquez ces produits loin de la sècheuse. Le tissu peut ensuite être lavé et séché normalement. Les dommages causés par ces produits ne sont pas couverts par la garantie de votre sècheuse.

Filtre à charpie

Nettoyez le filtre à charpie avant chaque utilisation.

Tirez le filtre à charpie. Mouillez vos doigts et retirez la charpie. Une fois qu'il a été nettoyé, glissez le filtre dans sa position. Demandez à un technicien qualifié d'aspirer la charpie de la sècheuse une fois par année.



N'UTILISEZ JAMAIS LA SÈCHEUSE SANS FILTRE.

Acier inoxydable

Pour nettoyer les surfaces en acier inoxydable, utilisez un chiffon humide et un détergent doux non abrasif convenant aux surfaces en acier inoxydable. Retirez les résidus de produit nettoyant, puis séchez-les avec un chiffon propre.

L'acier inoxydable utilisé pour la fabrication du tambour de la sècheuse vous offre la meilleure fiabilité possible dans une sècheuse GE Appliances. Si le tambour de la sècheuse venait à être marqué ou rayé en cours d'usage normal, il ne rouillerait pas. Ces dommages superficiels n'affecteront pas sa durabilité ni son fonctionnement.

Entretien et nettoyage

Éclairage du tambour

REMARQUE : La lampe du tambour ne peut pas être remplacée par le consommateur sur les modèles où il y a un couvercle en forme de plat sur une ampoule LED. Si cette lampe venait à cesser de fonctionner, communiquez avec une entreprise de réparation.

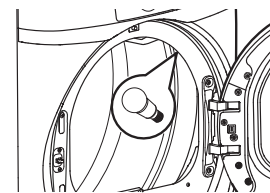
Pour les modèles qui ont un couvercle en forme de dôme sur une ampoule, fixé par une vis :

Avant de remplacer l'ampoule, assurez-vous de débrancher le cordon d'alimentation de la sècheuse ou de déconnecter la sècheuse du tableau de distribution de votre domicile (fusible ou disjoncteur). Penchez-vous au-dessus de l'ouverture de la sècheuse vers l'intérieur du tambour pour localiser le couvercle plat.

Retirez la vis et le couvercle en plastique pour accéder à l'ampoule. Remplacer par une ampoule appropriée, puis apposer de nouveau le couvercle et la vis.

Commandez en ligne une ampoule de rechange **WE11X26351** sur Electromenagersge.ca/fr/produits/filtres-et-accessoires, par téléphone au **800.661.1616** durant les heures normales d'affaire, ou procurez-vous une ampoule modèle **7C7** chez votre détaillant.

Lorsque la porte est ouverte, la lumière du tambour s'allume automatiquement et reste allumée pendant 2 minutes. A la fermeture de la porte, elle reste allumée pendant 30 minutes.



⚠ AVERTISSEMENT - Risque d'électrocution

Débranchez l'alimentation électrique avant la réparation.

Remettez toutes les pièces et panneaux en place avant d'utiliser l'appareil.

L'omission de prendre ces précautions peut provoquer la mort ou l'électrocution.

Instructions d'installation

Laveuse

Des questions? Appelez le 800.561.3344 ou Visitez notre site Web à l'adresse : www.electromenagersge.ca

AVANT DE COMMENCER

Lisez attentivement ces instructions dans leur intégralité.

- **IMPORTANT** – Gardez ces instructions pour l'usage de l'inspecteur électrique local.
- **IMPORTANT** – Observez toutes les réglementations et ordonnances en vigueur.
- Installez la sècheuse conformément aux instructions du fabricant et aux réglementations locales.
- **Remarque pour l'installateur** – Assurez-vous de laisser ces instructions au client.
- **Remarque pour le consommateur** - Gardez ces instructions à titre de référence ultérieure.
- L'installation de la sècheuse doit être effectuée par un installateur qualifié.
- Cette sècheuse doit être mise à l'évent à l'extérieur.
- Retirez la porte de la vieille sècheuse avant de la mettre au rebut ou hors service.
- Les renseignements d'entretien et le schéma de câblage se trouvent dans la console de commande.
- Ne laissez pas les enfants monter sur l'appareil ou entrer dans celui-ci. Une surveillance étroite des enfants doit être exercée lorsque l'appareil est utilisé à leur proximité.
- La responsabilité d'installer correctement l'appareil relève de l'installateur.
- Toute défaillance de l'appareil suite à une installation incorrecte n'est pas couverte par la garantie.
- Installez la sècheuse là où la température est supérieure à 10 C (50 F) pour assurer le bon fonctionnement du système de commande de la sècheuse.
- Retirez et jetez les conduits en feuille métallique ou en plastique existants et remplacez-les par un conduit homologué UL.

⚠ AVERTISSEMENT

- **Risque d'incendie**
- L'installation de la sècheuse doit être effectuée par un installateur qualifié.
- Installez la sècheuse conformément aux instructions du fabricant et aux réglementations locales.
- N'installez **PAS** de sècheuse avec des conduits en plastique flexible. Si un conduit métallique flexible (semi-rigide ou du type feuille métallique) est installé, il doit être homologué UL et installé conformément aux instructions figurant dans "Connecter la sècheuse à l'évent de la maison" de ce manuel. Les conduits flexibles ont tendance à s'affaisser, à être facilement écrasés et à piéger la charpie. Ces conditions bouchent le débit d'air de la sècheuse et augmentent le risque d'incendie.
- N'installez et ne remisez **PAS** cet appareil dans un lieu où il peut être exposé à l'eau ou intempéries.
- Pour réduire le risque de blessure grave, voire de mort, suivez toutes les instructions d'installation.
- Gardez ces instructions. (Installateurs : Assurez-vous de laisser ces instructions au client.)

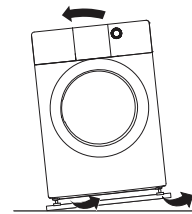
Si vous envisagez de superposer une sècheuse et une laveuse, commandez la Trousse de Superposition **GFA24KITL** à utiliser avec cette sècheuse. La trousse est vendue séparément.

Instructions d'installation

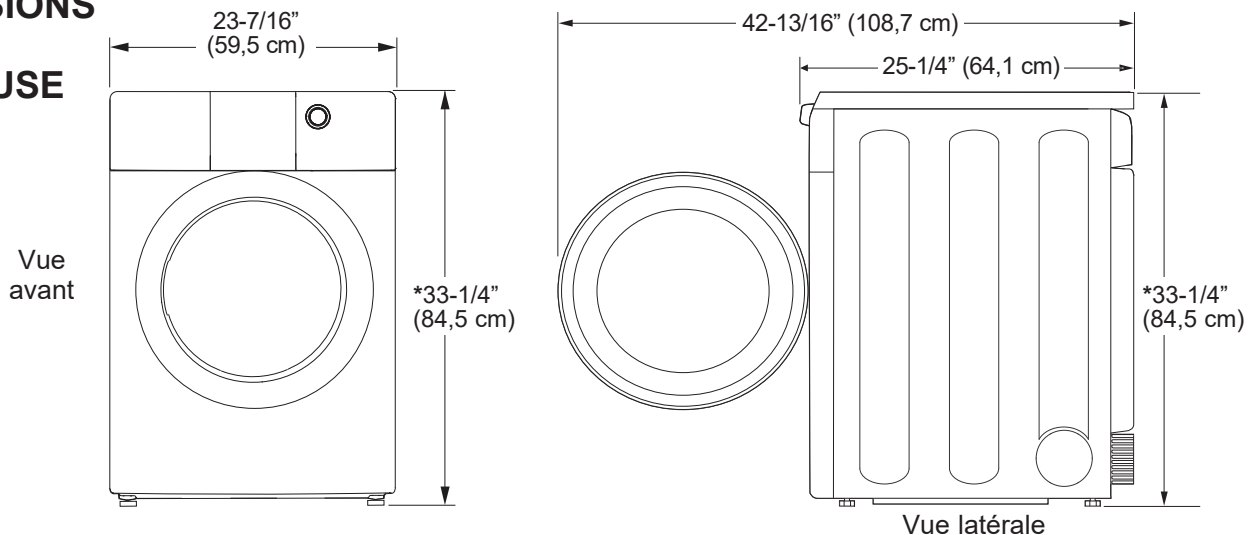
DÉBALLAGE DE VOTRE SÈCHEUSE

Inclinez la sècheuse latéralement et enlevez les coussinets d'expédition en mousse en les poussant sur les côtés et en les détachant des pattes de la sècheuse.

Assurez-vous d'enlever toutes les pièces en mousse autour des pattes.



DIMENSIONS DE LA SÈCHEUSE



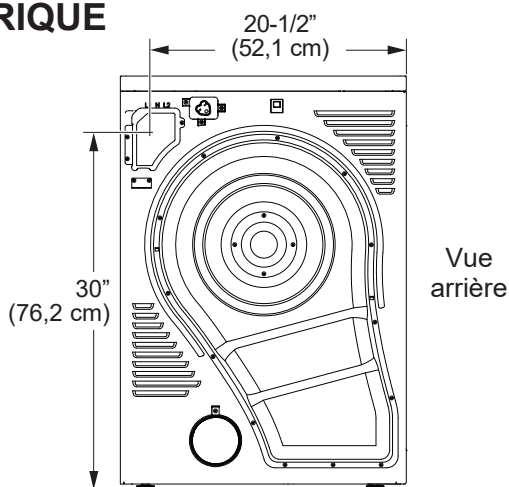
*NOTE :

Avec pieds de nivellement rétractés : 33-1/4 (84.5 cm)

Avec pieds de nivellement complètement sortis : 33-5/8 (85.4 cm)

Superposé : 66-1/2\" (168.9 cm)

DIMENSIONS DE LA CONNEXION ELECTRIQUE



CORDONS D'ALIMENTATION

GE Appliances recommande vivement l'utilisation de pièces spécifiées par le fabricant. Choisissez un cordon d'alimentation qui correspond aux exigences de votre installation.

No de pièce	Type	Longueur	Intensité de courant
WX9X2	3-Trifilaire	4 Pied	30
WX9X3	3-Trifilaire	5 Pied	30
WX9X4	3-Trifilaire	6 Pied	30
WX9X18	4-Trifilaire	4 Pied	30
WX9X19	4-Trifilaire	5 Pied	30
WX9X20	4-Trifilaire	6 Pied	30

Consultez votre annuaire local pour un détaillant de pièces autorisé ou appelez-nous au 800.661.1616 ou Electromenagersge.ca/fr/produits/filtres-et-accessoires.

ACCESSOIRES :

Commandez en ligne sur www.electromenagersge.ca 24 heures sur 24 ou en téléphonant au 800-561-3344 durant les heures normales d'affaire.

No. de pièce	Accessoire
PM08X10085	Conduit flexible de transition de métal pour sècheuses

Instructions d'installation

EXIGENCES RELATIVES À UNE INSTALLATION ENCASTRÉE

⚠ AVERTISSEMENT - Risque d'explosion

Gardez les matières et les vapeurs inflammables telles que l'essence à distance de la sècheuse.

Placez la sècheuse à au moins 46 cm (18 po) au-dessus du sol dans le cas d'une installation dans un garage.

L'omission de prendre ces précautions peut provoquer la mort, l'explosion ou l'incendie.

- L'air de la sècheuse DOIT être évacué vers l'extérieur.
- L'espace minimum entre la sècheuse et les murs adjacents ou d'autres surfaces est le suivant:
 - 0 cm (0 po) des deux côtés
 - 2,54 cm (1 po) avant et arrière
 - 2,54 cm (1 po) haut
- L'arrière de la sècheuse doit faire face à un mur.
- Il faut veiller à procurer le dégagement nécessaire à l'installation et aux interventions de service.
- Les portes du placard doivent être perforées ou bien ventilées et disposer d'au moins 150 cm² (60 pouces carrés) d'espace. Si le placard abrite une laveuse et une sècheuse, les portes doivent disposer de 3 m² (120 pouces carrés) au minimum d'espace ouvert.

REMARQUE: SI LE TUYAU D'ÉVACUATION EST SITUÉ À L'ARRIÈRE DE LA SÈCHEUSE, LA CONFIGURATION DU TUYAU POURRAIT DEMANDER UNE DÉGAGEMENT EN ARRIÈRE PLUS GRANDE QUE 3 POUCES.

DÉGAGEMENTS MINIMUMS AUTRES QUE POUR UNE INSTALLATION ENCASTRÉE

Les dégagements minimums par rapport aux surfaces inflammables et pour l'orifice d'aération sont les suivants : 0 cm (0 po) des deux côtés, 2,54 cm (1 po) à l'arrière et 2,54 cm (1 po) haut.

L'arrière de la sècheuse doit faire face à un mur.

Veillez à prévoir des dégagements suffisants pour toute installation et réparation.

INSTALLATION DANS UNE MAISON MOBILE OU PRÉFABRIQUÉE

- Installation DOIT être conforme à la NORME DE SÉCURITÉ POUR LA CONSTRUCTION DE MAISONS FABRIQUÉES, TITRE 24, PARTIE 3280 ou NORME POUR DES MAISONS MOBILES CAN/CSA-Z240 MH, ou, si la norme n'est pas applicable, à la NORME NATIONALE AMÉRICAINE POUR LES MAISONS MOBILES ANSI/NFPA N° 501B.
- L'air de la sècheuse DOIT être évacué vers l'extérieur.
- L'évent d'évacuation DOIT être fixé d'une façon sécuritaire à une partie non combustible de la maison mobile.
- La ventilation NE DOIT PAS déboucher sous une maison mobile ou fabriquée.
- Le matériau du tuyau de ventilation DOIT ÊTRE LE MÉTAL.
- L'ensemble 14-D346-33 DOIT être utilisé pour raccorder la sècheuse à la structure.
- La ventilation NE DOIT PAS être raccordée à tout autre tuyau, évent ou cheminée.
- N'utilisez PAS de vis à tôle ni d'autres dispositifs de serrage qui dépassent à l'intérieur de l'évent d'évacuation.
- Prévoyez une ouverture dotée d'une zone ouverte de 63 cm² (25 pouces carrés) pour l'infiltration d'air extérieur dans de la sècheuse chambre.
- Voir la section pour des renseignements sur la connexion électrique.

Instructions d'installation

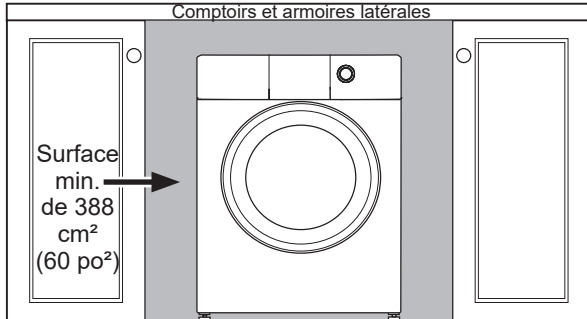
INSTALLATION SOUS UN COMPTOIR

Pour une installation sous un comptoir :

- Aucun kit d'installation particulier n'est nécessaire.
- Si la sécheuse est installée seule, une surface minimale de 388 cm² (60 po²) d'espace ouvert est requise. Si la sécheuse est installée avec une laveuse, une surface minimale de 774 cm² (120 po²) d'espace ouvert est requise.

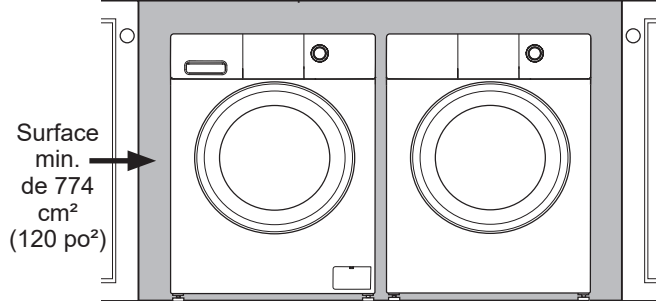
Sécheuse installée seule

Comptoirs et armoires latérales



Laveuse et sécheuse installées ensemble

Comptoirs et armoires latérales



INSTALLATION DANS UNE SALLE DE BAINS OU DANS UNE CHAMBRE

L'installation doit être conforme aux codes locaux ou, en l'absence de codes locaux, à la dernière édition du CODE NATIONAL DE L'ELECTRICITE, ANSI/NFPA N° 70 (pour les sécheuses électriques).

Instructions d'installation

RACCORDEMENT D'UNE SÈCHEUSE ÉLECTRIQUE

OUTILS NÉCESSAIRES

- ❑ Pince à joint coulissant



- ❑ Tournevis à tête plate



- ❑ Tournevis cruciforme



- ❑ Niveau



MATÉRIEL NÉCESSAIRE

- ❑ Coude métallique 4 po diamètre



- ❑ Réducteur de tension 3/4 po (UL)



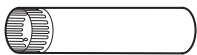
- ❑ Colliers de conduit 4 po (2) ou brides à ressort 4 po (2)



- ❑ Lunettes de protection



- ❑ Tuyau métallique 4 po de diamètre (recommandé)



- ❑ Tuyau métallique souple 4 po de diamètre (si nécessaire)



- ❑ Plaque de couverture de 4 pouces (Kit WE49X22606)



- ❑ Gants



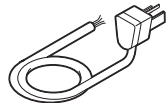
- ❑ L'évent d'évacuation



- ❑ Ruban adhésif

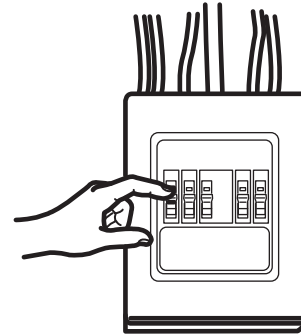


- ❑ Cordon d'alimentation de la sècheuse (non livré avec l'appareil)
Conforme à la norme UL 120/240 V, 30 A avec 3 ou 4 broches. Identifiez le type de fiche selon la prise murale de votre domicile avant d'acheter le cordon



Les installations superposées peuvent nécessiter un cordon d'alimentation d'une longueur de d'1,8 m (6 pieds).

Avant d'effectuer le branchement électrique, déclenchez le disjoncteur ou enlevez le fusible de la sècheuse au panneau de distribution électrique. Assurez-vous que le cordon d'alimentation de la sècheuse est débranché de la prise murale. **NE LAISSEZ JAMAIS LE CAPOT DE LA PLAQUE À BORNES ENLEVÉ.**



⚠ AVERTISSEMENT ⚡ - Risque d'électrocution

Débranchez l'alimentation électrique avant la réparation.

Remettez toutes les pièces et panneaux en place avant d'utiliser l'appareil.

L'omission de prendre ces précautions peut provoquer la mort ou l'électrocution.

Instructions d'installation

RENSEIGNEMENTS SUR LES RACCORDS ÉLECTRIQUES POUR SÈCHEUSES ÉLECTRIQUES

Pour les branchements électriques utilisant un cordon d'alimentation :

AVERTISSEMENT - Risque d'incendie

Utilisez un cordon d'alimentation de 240 V 30 ampères homologué UL pour sècheuse avec cosses à anneau fermées ou cosses fermées aux extrémités renversées.

Utilisez un réducteur de tension homologué UL.

Débranchez l'alimentation avant d'effectuer des connexions électriques.

Connectez le fil neutre (le fil blanc ou central) sur la borne centrale.

Le fil de terre (fil vert ou à nu) doit être branché à un connecteur de terre vert.

Connectez les deux autres fils d'alimentation sur les deux bornes correspondantes.

Serrez fermement toutes les connexions électriques.

Remplacez le couvercle du bloc des bornes.

L'omission de prendre ces précautions peut provoquer la mort, l'explosion ou l'incendie.

INSTRUCTIONS DE MISE À LA TERRE

Pour une sècheuse branchée par cordon mis à la terre :

Cette sècheuse doit être mise à la terre. Dans l'éventualité d'un mal fonctionnement ou d'une panne, la mise à la terre réduit le risque de choc électrique en procurant un circuit de moindre résistance au courant électrique. Cette sècheuse utilise un cordon doté d'un conducteur de mise à la terre de l'appareillage et d'une fiche de mise à la terre. La fiche doit être branchée dans une prise compatible correctement installée et mise à la terre conformément à tous les codes et règlements en vigueur.

AVERTISSEMENT Une connexion incorrecte du conducteur de mise à la terre de l'appareillage peut poser un risque de choc électrique. Consultez un électricien ou réparateur qualifié si vous doutez que l'appareil soit correctement mis à la terre. **NE** modifiez **PAS** la fiche du cordon d'alimentation. Si elle ne s'insère pas dans la prise, demandez à un électricien agréé de poser une prise appropriée.

CONSERVEZ CES INSTRUCTIONS

AVERTISSEMENT - Risque d'électrocution

POUR ÉVITER LES CHOCS ÉLECTRIQUES, DÉBRANCHEZ L'ALIMENTATION ÉLECTRIQUE AVANT L'ENTRETIEN.

Cette sècheuse doit être connectée à un circuit de dérivation individuel avec un fil de cuivre de calibre 10 minimum à travers un fusible de 30 ampères ou un disjoncteur. **PAS** de fusible sur le fil neutre.

Utilisez uniquement des conducteurs en cuivre.

RENSEIGNEMENTS SUR LES RACCORDS ÉLECTRIQUES POUR SÈCHEUSES ÉLECTRIQUES

Pour les connexions de fil directes :

AVERTISSEMENT - Risque d'incendie

Utilisez un fil de cuivre de calibre 10.

Utilisez un réducteur de tension homologué UL.

Débranchez l'alimentation avant d'effectuer des connexions électriques.

Connectez le fil neutre (le fil blanc ou central) sur la borne centrale.

Le fil de terre (fil vert ou à nu) doit être branché à un connecteur de terre vert.

Connectez les deux autres fils d'alimentation sur les deux bornes correspondantes.

Serrez fermement toutes les connexions électriques.

Remplacez le couvercle du bloc des bornes.

L'omission de prendre ces précautions peut provoquer la mort, l'explosion ou l'incendie.

INSTRUCTIONS DE MISE À LA TERRE

Pour une sècheuse à branchement permanent :

Cette sècheuse doit être connectée à du métal mis à la terre ou à un système de câblage permanent ; ou encore un conducteur de mise à la terre de l'appareillage doit être acheminé avec les conducteurs du circuit et connecté à une borne de mise à la terre de l'appareillage sur l'appareil.

AVERTISSEMENT Une connexion incorrecte du conducteur de mise à la terre de l'appareillage peut poser un risque de choc électrique. Consultez un électricien ou réparateur qualifié si vous doutez que l'appareil soit correctement mis à la terre.

CONSERVEZ CES INSTRUCTIONS

AVERTISSEMENT - Risque d'électrocution

POUR ÉVITER LES CHOCS ÉLECTRIQUES, DÉBRANCHEZ L'ALIMENTATION ÉLECTRIQUE AVANT L'ENTRETIEN.

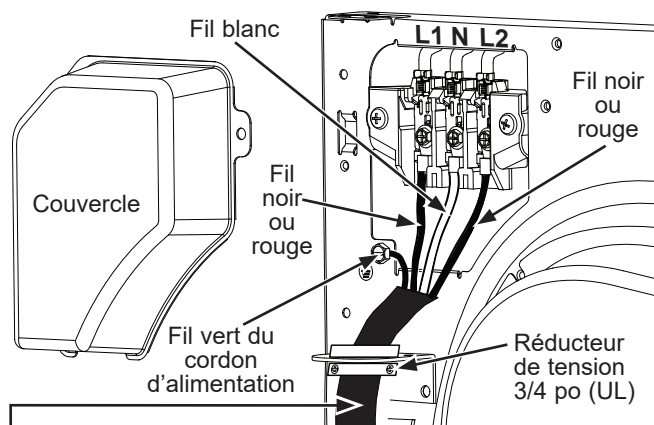
Cette sècheuse doit être connectée à un circuit de dérivation individuel avec un fil de cuivre de calibre 10 minimum à travers un fusible de 30 ampères ou un disjoncteur. **PAS** de fusible sur le fil neutre.

Utilisez uniquement des conducteurs en cuivre.

Instructions d'installation

BRANCHEMENT DE LA SÈCHEUSE À L'AIDE D'UN CÂBLE À 4 FILS (À UTILISER POUR L'INSTALLATION DANS UNE MAISON MOBILE)

REMARQUE : Depuis le 1^{er} janvier 1996, le Code national de l'électricité impose aux nouvelles constructions d'utiliser un raccordement à 4 fils pour une sècheuse électrique. Un cordon à 4 fils doit aussi être utilisé lorsque les normes locales n'autorisent pas une mise à la terre via le neutre. Un raccordement à 3 fils NE doit PAS être utilisé dans une nouvelle construction.



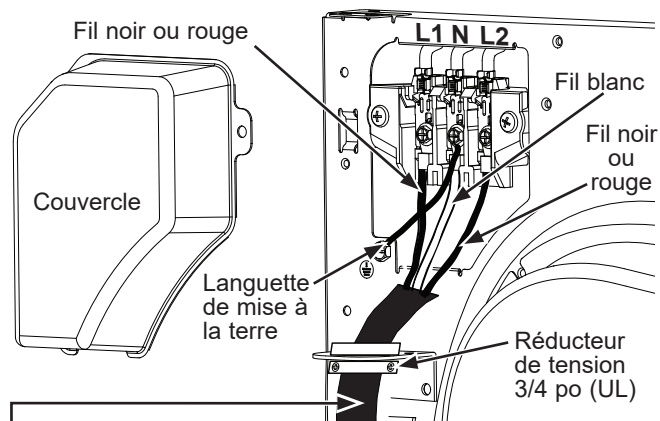
4 conducteurs en cuivre N° 10 minimum ou cordon d'alimentation de 120/240 V 30 A pour sècheuse muni de cosses ouvertes ou à anneau (non fourni).

1. Déclenchez le(s) disjoncteur(s) ou retirez le(s) fusible(s) du circuit du tableau électrique.
2. Assurez-vous que le cordon de la sècheuse est débranché de la prise murale.
3. Retirez le couvercle du cordon d'alimentation situé à l'arrière supérieur.
4. Retirez la vis de mise à la terre verte et conservez-la pour une utilisation à l'étape 7. Retirez la vis centrale (marquée N) dans le bloc terminal. Retirez et jetez la bande de mise à la terre.
5. Insérez un réducteur de tension conforme UL 3/4 po dans le trou d'entrée du cordon. Faites passer le cordon d'alimentation dans le support du réducteur de tension.
6. Connectez le cordon d'alimentation comme suit :
 - A. Connectez les 2 fils sous tension aux vis extérieures de la plaque à bornes (L1 et L2).
 - B. Connectez le fil neutre (blanc) au centre de la plaque à bornes (N).
7. Branchez le fil de terre du cordon à la vis verte de mise à la terre (trou placé au-dessus du support du réducteur de tension). Serrez toutes les vis de la plaque à bornes (3) fermement.
8. Fixez le cordon d'alimentation dans le support du réducteur de tension.
9. Réinstallez le couvercle.

NE LAISSEZ JAMAIS LE COUVERCLE ENLEVÉ DE LA PLAQUE À BORNES.

RACCORDEMENT DE LA SÈCHEUSE À L'AIDE D'UN CÂBLE À 3 FILS

Faites installer, si le code local l'exige, une mise à la terre externe (non fournie) sur un tuyau d'eau froide métallique mis à la terre ou toute autre mise à la terre par un électricien qualifié.



3 conducteurs en cuivre N° 10 minimum ou cordon d'alimentation de 120/240 V 30 A pour sècheuse muni de cosses ouvertes ou à anneau (non fourni).

Connexion à 3 fils

- Ne peut pas être utilisée au Canada.
Ne peut pas être utilisée dans une maison mobile.
Ne peut pas être utilisée dans les nouvelles constructions.
Ne peut pas être utilisée dans les véhicules récréatifs.
Ne peut pas être utilisée dans les régions où les codes locaux interdisent la mise à la terre par le biais du câble neutre.
1. Déclenchez le(s) disjoncteur(s) ou retirez le(s) fusible(s) du circuit du tableau électrique.
 2. Assurez-vous que le cordon de la sècheuse est débranché de la prise murale.
 3. Retirez le couvercle du cordon d'alimentation situé à l'arrière supérieur.
 4. Insérez un réducteur de tension conforme UL 3/4 po dans le trou d'entrée du cordon. Faites passer le cordon d'alimentation dans le réducteur de tension.
 5. Connectez le cordon d'alimentation comme suit :
 - A. Connectez les 2 fils sous tension aux vis extérieures de la plaque à bornes (L1 et L2).
 - B. Connectez le fil neutre (blanc) au centre de la plaque à bornes (N).
 6. Veillez à ce que la languette de mise à la terre soit connectée à la vis verte de mise à la terre sur le boîtier. Serrez toutes les vis de la plaque à bornes (3) fermement.
 7. Fixez le cordon d'alimentation dans le réducteur de tension.
 8. Réinstallez le couvercle.

NE LAISSEZ JAMAIS LE COUVERCLE ENLEVÉ DE LA PLAQUE À BORNES.

Instructions d'installation

ÉVACUATION DE LA SÈCHEUSE

⚠ AVERTISSEMENT



- Risque d'incendie

L'air de la sècheuse DOIT être évacué vers l'extérieur. Utilisez seulement des tuyaux métalliques rigides de 10,2 cm (4 po) pour le conduit d'évacuation du domicile.

Pour raccorder votre sècheuse au tuyau d'évacuation de la maison, utilisez seulement un conduit de transition de 4 po (10,16 cm) d'un des types suivants : métallique rigide, métallique flexible homologué UL ou en aluminium pour sècheuse homologué UL.

AUCUN plastique ne doit composer le conduit d'évacuation de la maison, le conduit de transition de la sècheuse, ni se trouver à l'intérieur de la sècheuse.

Le conduit d'évacuation de la maison **NE** doit **PAS** se trouver à l'intérieur de la sècheuse, ni être en métal flexible ou en aluminium.

Ne dirigez **PAS** l'évacuation dans une cheminée, la hotte de cuisine, un évent à gaz, un mur, un plafond, un comble, un vide sanitaire ou un espace dissimulé d'un bâtiment.

N'installez **PAS** un grillage dans ou par-dessus le conduit d'échappement.

N'installez **PAS** un ventilateur d'appoint dans le tuyau de ventilation.

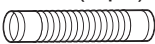
N'utilisez **PAS** un conduit dont la longueur dépasse celle spécifiée dans le tableau des longueurs d'échappement.


L'omission d'observer ces directives peut entraîner le décès ou l'incendie.

OUTILS ET MATÉRIEL NÉCESSAIRES À L'INSTALLATION DU CONDUIT D'ÉVACUATION


Tournevis 

Ruban de toile ou colliers pour conduit 

Conduit métallique rigide ou souple homologué UL de 10,2 cm (4 po) 

Percez à l'aide d'un foret de 1/8 po (pour évacuation par le dessous) 

Scie à métaux 

Évent d'évacuation 

PIÈCES DISPONIBLES DE GEAPPLIANCES.COM OU D'ENTREPRISES DE LOCAUX

PM8X85 Hotte extérieure de ventilation

PM08X10085 Conduit de transition flexible en métal de 8 pieds, à 2 pinces, pour sècheuses

WX08X10130 Pince de serrage pour conduits de 4 pouces pour sècheuses

WE49X22606 Couvercle pour l'ouverture arrière d'échappement, pour des sècheuses ventilées par les côtés ou par le bas.

BRANCHEMENT DE LA SÈCHEUSE À L'ÉVENT DU DOMICILE

CONDUIT DE TRANSITION EN MÉTAL RIGIDE

- Pour une meilleure efficacité de séchage, un conduit de transition en métal rigide est recommandé.
- Les conduits de transition en métal rigide réduisent le risque d'écrasement et de pliure.

CONDUIT DE TRANSITION EN MÉTAL FLEXIBLE (SEMI-RIGIDE) HOMOLOGUÉ UL

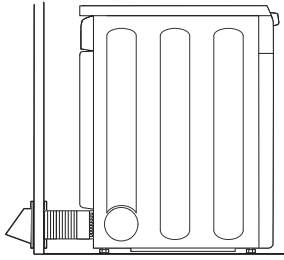
- Si un conduit métallique rigide ne peut être utilisé, alors un conduit métallique flexible semi-rigide homologué UL peut être employé (ensemble PM08X10085).
- N'installez jamais un conduit métallique flexible dans des murs, des plafonds, des planchers ou d'autres espaces restreints.
- La longueur totale du conduit métallique flexible ne doit pas dépasser 2,4 m (8 pi).
- Pour de nombreuses applications, l'installation de coudes aussi bien à la sècheuse qu'au mur est vivement recommandée (voir les illustrations à droite). Les coudes permettent à la sècheuse de reposer près du mur sans plier ni écraser le conduit de transition, optimisant ainsi l'efficacité du séchage.
- Évitez de faire reposer le conduit sur des objets coupants.

CONDUIT DE TRANSITION EN MÉTAL FLEXIBLE (TYPE EN FEUILLE) HOMOLOGUÉ UL

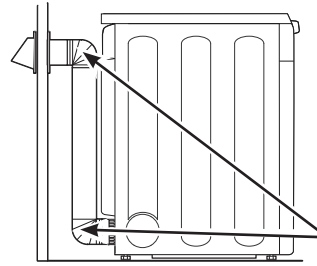
- Dans des installations spéciales, il peut être nécessaire de brancher la sècheuse à l'évent du domicile à l'aide d'un conduit métallique flexible (type en feuille). Le conduit de transition flexible pour sècheuses approuvé par UL (pièce de GE Appliances - PM8X73 ou WX8X73) peut être utilisé seulement dans des installations où le conduit en métal rigide où les conduits métalliques rigides ou flexibles (semi-rigides) ne peuvent pas être employés ET où un diamètre de 10,2 cm (4 po) peut être conservé sur toute la longueur du conduit de transition.
- Au Canada et aux États-Unis, seuls les conduits métalliques flexibles (type en feuille) qui sont conformes à la norme 2158A « **Outline for Clothes Dryer Transition Duct Subject** » doivent être utilisés.
- Évitez de faire reposer le conduit sur des objets coupants.
- Pour une meilleure efficacité de séchage :
 1. Glissez une des extrémités du conduit par-dessus le conduit de sortie de la sècheuse.
 2. Fixez le conduit à l'aide d'une bride.
 3. Sècheuse dans sa position permanente, déployez le conduit à sa pleine longueur. Laissez un recouvrement de 5 cm (2 po) du conduit sur le conduit d'évacuation. Coupez et retirez la longueur de conduit en surplus. Gardez le conduit aussi droit que possible pour obtenir une circulation d'air maximale.
 4. Fixez le conduit sur le conduit d'évacuation à l'aide de l'autre bride.

Instructions d'installation

ÉVACUATION DE LA SÈCHEUSE



• **COUPEZ** le conduit aussi court que possible et installez-le droit vers le mur.

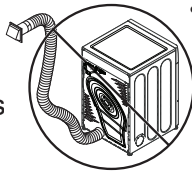


• **UTILISEZ** des coudes lorsque des changements de direction sont nécessaires.

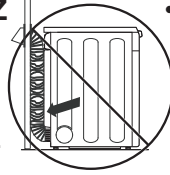
Coudes



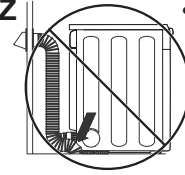
• **N'ÉCRASEZ PAS** ou ne pliez pas le conduit. Utilisez des coudes lorsque des changements de direction sont nécessaires.



• **N'UTILISEZ PAS** une longueur excessive de conduit. Coupez le conduit aussi court que possible.



• **N'ÉCRASEZ PAS** le conduit contre le mur.



• **N'INSTALLEZ PAS** la sècheuse sur le conduit.

LONGUEUR DU TUYAU D'ÉCHAPPEMENT

Utilisez des tuyaux d'échappement plus long que ce qui est spécifié aura comme conséquence :

- Augmentera les temps de séchage et les coûts d'énergie.
- Réduira la durée de vie de la sècheuse.
- Accumulation de la charpie, créant un danger potentiel de feu.

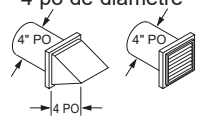
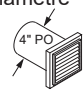
L'installation correcte du tuyau est VOTRE RESPONSABILITÉ.

Les problèmes causés par une mauvaise installation ne sont pas couverts par la garantie.

La longueur du système d'échappement MAXIMUM PERMISE dépend du type de conduits, du nombre de tours, du type de couvert de tuyau d'échappement (couvert mural) et de toutes les conditions mentionnées sur la carte.

- Les coudes intérieurs ajoutés pour les conversions d'évent latérales ou inférieures doivent être inclus dans le calcul total de coude.
- Tout coude dont l'angle est supérieur à 45° doit être considéré comme un coude de 90°.
- Deux coudes de 45° devront être considérés comme un coude de 90°. Un angle de 45° ou moins peut être ignoré.
- Pour la ventilation latérale, ajouter un coude de 90° au tableau.
- Pour chaque coude additionnel de 90°, réduire de 10 pieds la longueur totale permise du système de ventilation.
- Lors du calcul de la longueur totale du système de ventilation, vous devez ajouter toutes les portions droites et coudes du système (y compris le conduit de transition).

LONGUEUR DU TUYAU D'ÉCHAPPEMENT

LONGUEUR MAXIMUM RECOMMANDÉ		
Types de couverts de tuyau d'échappement		
LONGUEUR DU TUYAU D'ÉCHAPPEMENT	Recommandé	Utilisation pour des installations de courte durée seulement
	4 po de diamètre 	4 po de diamètre 
Nombre de Coudes à 90°	Métal rigide	Métal rigide
0	90 Pieds	60 Pieds
1	60 Pieds	45 Pieds
2	45 Pieds	35 Pieds
3	35 Pieds	25 Pieds
4	25 Pieds	15 Pieds

Instructions d'installation

ÉVACUATION DE LA SÈCHEUSE (suite)

LISTE DE VÉRIFICATION DU SYSTÈME D'ÉVACUATION

ÉVENT MURAL

- Terminez le conduit de façon à éviter les retours d'air ou l'entrée d'oiseaux ou d'autres animaux.
- La terminaison doit présenter une résistance minimale au flux d'air évacué et nécessiter peu ou pas de maintenance pour empêcher les obstructions.
- Les événements muraux doivent être installés à au moins 30,5 cm (12 po) au-dessus du niveau du sol ou toute autre obstruction avec l'ouverture dirigée vers le bas.

SÉPARATIONS DES COUDES

- Pour de meilleures performances, séparez tous les coudes par un conduit droit d'au moins 1,2 m (4 pieds), y compris sur la distance entre le dernier coude et le couvert du tuyau d'échappement.

ÉTANCHÉITÉ DES JOINTS

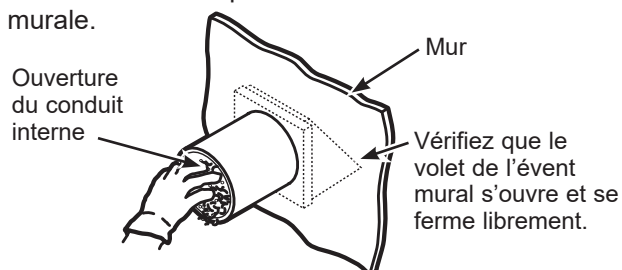
- Tous les joints doivent être serrés pour éviter les fuites. L'extrémité mâle de chaque section du conduit doit être dirigée vers l'extérieur par rapport à la sècheuse.
- Les joints de conduit doivent être étanches à l'air et à la poussière, recouverts de ruban de toile ou en aluminium.
- N'assemblez pas les conduits avec des fixations qui pénètrent dans le conduit. Elles serviraient de point de collecte pour la charpie.
- Les conduits horizontaux doivent être inclinés vers l'extérieur de 6 mm (1/4 po) par pied de longueur.
- Prévoyez libre un accès pour l'inspection et le nettoyage du système d'évacuation, notamment pour les coudes. Inspectez et nettoyez le système au moins une fois par an.

ISOLATION

- Les conduits qui traversent une zone non chauffée ou situés à proximité d'un climatiseur doivent être isolés pour réduire la condensation et la création de charpie.

AVANT DE COMMENCER

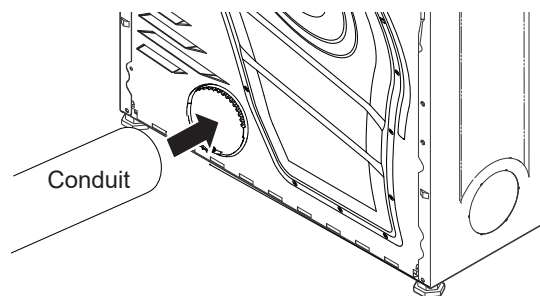
- Enlevez et jetez le conduit d'évacuation existant s'il est fait de plastique ou de métal souple, et remplacez-le par un conduit d'évacuation listé par UL.
- Enlevez toute charpie de l'ouverture d'évacuation murale.



ÉVACUATION ARRIÈRE STANDARD

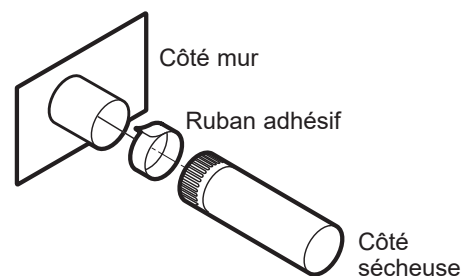
Nous vous recommandons d'installer votre sècheuse avant d'installer votre laveuse. Cela permettra un accès direct pour faciliter le raccordement de l'évacuation.

Insérez l'extrémité du conduit d'évacuation sur le raccord arrière de la sècheuse et fixez-la avec du ruban de toile ou un collier de fixation.



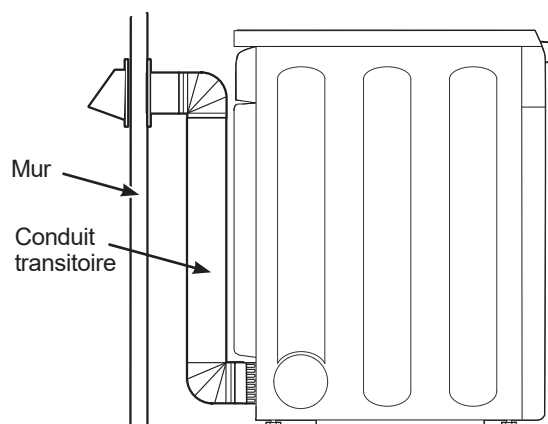
REMARQUE : Nous vous recommandons fortement d'utiliser un conduit d'évacuation rigide et en métal. Si les conduits flexibles de métal sont installés, ils doivent être homologué UL, pas de plastique.

- Pour une installation droite, raccordez le conduit d'évacuation de la sècheuse au mur l'aide de ruban en toile.



CONFIGURATION RECOMMANDÉE POUR MINIMISER UN BLOCAGE DU CONDUIT

L'utilisation de coudes empêchera les conduits de se déformer et de s'écraser.



Instructions d'installation

ÉVACUATION DE LA SÈCHEUSE (suite)

ÉVACUATION LATÉRALE OU PAR LE DESSOUS

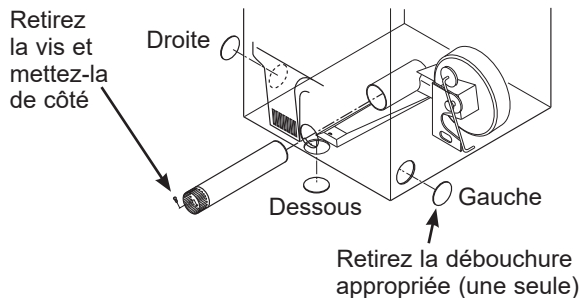
⚠ AVERTISSEMENT - Risque d'incendie

Débranchez la sècheuse de l'alimentation électrique.

Portez des gants et des protège-bras.

Fermez l'ouverture arrière à l'aide de la plaque de recouvrement (ensemble WE49X22606).

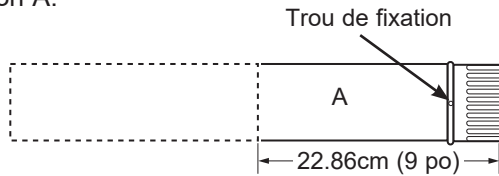
L'omission de prendre ces précautions peut causer des incendie, chocs électriques ou des lacérations.



Enlevez la débouchure droite, gauche ou dessous. Retirez la vis située à l'intérieur du tuyau d'évacuation de la sècheuse et conservez-la.

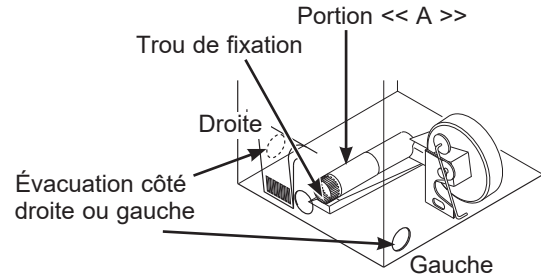
Retirez le tuyau de la sècheuse.

Coupez le tuyau comme indiqué et conservez la portion A.



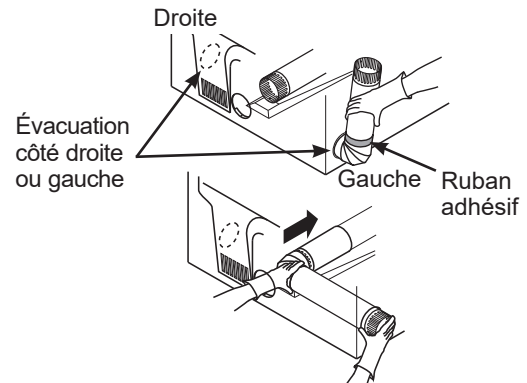
ÉVACUATION LATÉRALE OU PAR LE DESSOUS (suite)

AJOUTER UN NOUVEAU CONDUIT



Rebranchez la portion découpée (A) du conduit au boîtier du ventilateur. Veillez à ce que le conduit raccourci soit aligné sur la languette dans la base. Utilisez la vis mise de côté précédemment pour fixer le conduit à la languette sur la base de l'appareil.

AJOUTER UN COUDE ET UN CONDUIT POUR L'ÉVACUATION DROITE OU GAUCHE SUR DE L'APPAREIL



- Préparez l'assemblage du coude de 4" avec le tuyau de 4". Enroulez du ruban adhésif autour du joint.
- Insérer le conduit, coude d'abord, à travers l'ouverture latérale et raccorder le coude au conduit interne de la sècheuse.

Ne pas tirer ou endommager les fils électriques à l'intérieur de la sècheuse lors de l'insertion du conduit.

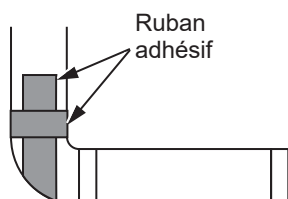
Instructions d'installation

ÉVACUATION DE LA SÈCHEUSE (suite)

ÉVACUATION LATÉRALE OU PAR LE DESSOUS (suite)

AJOUTER UN COUDE ET UN CONDUIT POUR L'ÉVACUATION SUR LA GAUCHE ET LA DROITE DE L'APPAREIL (suite)

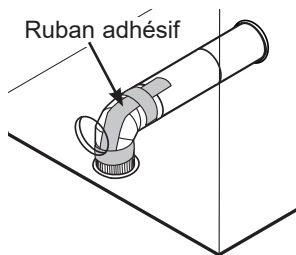
- Appliquez du ruban adhésif comme indiqué sur le joint entre le tuyau interne de la sècheuse et le coude, et également sur le joint entre le coude et le tuyau latéral.



Utilisez un conduit métallique rigide de 10 cm uniquement à l'intérieur de la sècheuse. Les jonctions de canalisation interne doivent être bloquées avec un ruban adhésif, sinon elles peuvent se séparer et poser un danger pour la sécurité.

AJOUTER UN COUDE POUR L'ÉCHAPPEMENT PAR LE BAS DE L'ARMOIRE

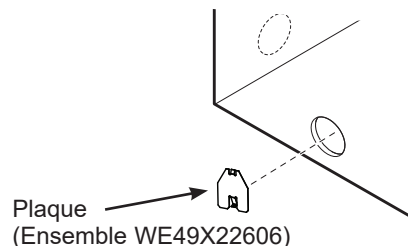
- Introduisez le coude dans l'orifice arrière et connectez le coude au tuyau interne de la sècheuse.
- Appliquez du ruban adhésif comme indiqué sur le joint entre le tuyau interne de la sècheuse et le coude, et également sur le joint entre le coude et le tuyau du dessous.



Les joints du conduit interne doivent être fixés avec du ruban adhésif afin d'éviter qu'ils ne se détachent et que ceci n'entraîne un risque pour la sécurité.

ÉVACUATION LATÉRALE OU PAR LE DESSOUS (suite)

AJOUTER UNE PLAQUE D'OBTURATION À L'ARRIÈRE DE LA CARROSSERIE



Connectez les coudes et les conduits métalliques pour terminer l'installation du système d'évacuation. Recouvrez l'orifice arrière d'une plaque (Ensemble WE49X22606) disponible auprès de votre fournisseur local. Placez la sècheuse à son emplacement final.

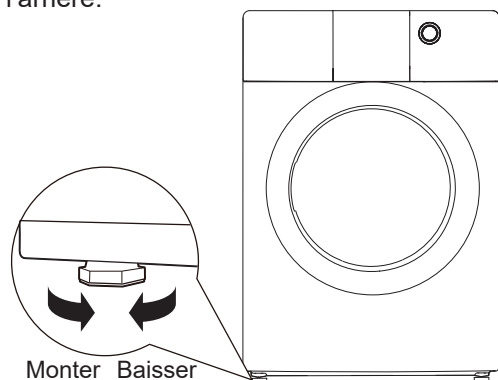
IL FAUT TOUJOURS LAISSER LA PLAQUE D'OBTURATION SUR L'ORIFICE À L'ARRIÈRE DE LA SÈCHEUSE.

Instructions d'installation

INSTALLATION FINALE

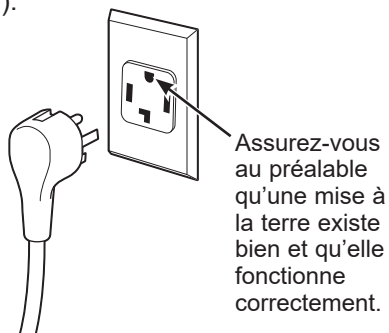
1 METTEZ LA SÈCHEUSE DE NIVEAU

Placez la sècheuse à proximité de l'emplacement final. Réglez les quatre pattes de nivellement pour la mettre de niveau de gauche à droite, et de l'avant vers l'arrière.



2 BRANCHEZ LA SÈCHEUSE

NOTE : Les installations superposées peuvent nécessiter un cordon d'alimentation d'une longueur de d'1,8 m (6 pieds).



3 DÉMARRAGE DE LA SÈCHEUSE

Appuyez sur la touche **Power** (Alimentation).

Power



REMARQUE : Si la sècheuse a été exposée à des températures inférieures au point de congélation pendant une période prolongée, laissez-la se réchauffer avant d'appuyer sur **Power** (Alimentation). Sinon, l'écran ne s'allumera pas.

La sècheuse est maintenant prête à l'emploi.

⚠ AVERTISSEMENT ⚡ - Risque d'électrocution

Débranchez l'alimentation électrique avant la réparation.

Remettez toutes les pièces et panneaux en place avant d'utiliser l'appareil.

L'omission de prendre ces précautions peut provoquer la mort ou l'électrocution.

Instructions d'installation

COMMENT SUPERPOSER LA SÈCHEUSE À LA LAVEUSE (optionnel)

Si vous envisagez de superposer une sècheuse et une laveuse, commandez la Trousse de Superposition GFA24KITL à utiliser avec cette sècheuse. La trousse est vendue séparément.

AVANT DE COMMENCER

Lisez attentivement ces instructions dans leur intégralité.

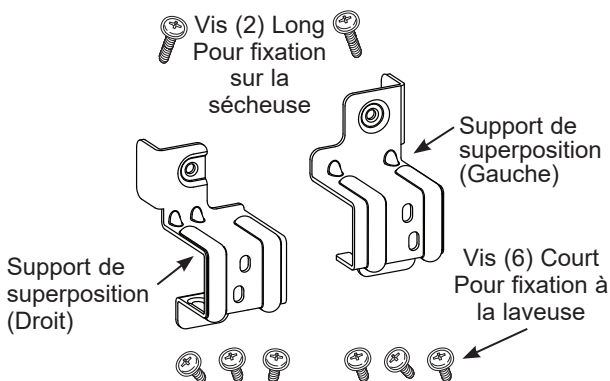
- **IMPORTANT** – Gardez ces instructions pour l'usage de l'inspecteur électrique local.
- **IMPORTANT** – Observez toutes les réglementations et ordonnances en vigueur.
- **Remarque pour l'installateur** – Assurez-vous de laisser ces instructions au client.
- **Remarque pour le consommateur** - Gardez ces instructions à titre de référence ultérieure.
- L'installation de la sècheuse **doit** être effectuée par un installateur qualifié.
- La responsabilité d'installer correctement l'appareil relève de l'installateur.

ENSEMBLE DE SUPERPOSITION

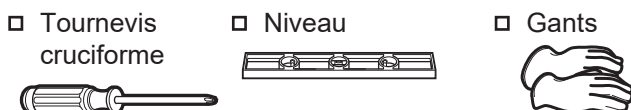
Commandez en ligne sur www.electromenagersge.ca 24 heures sur 24, ou en téléphonant au **800.561.3344** durant les heures normales de bureau.

Numéro de pièce **GE Appliances Accessoire**
GFA24KITL Ensemble complet superposition

CONTENU DU KIT (GE APPLIANCES NUMÉRO DU KIT GFA24KITL)



OUTILS NÉCESSAIRES



EXIGENCES RELATIVES À UNE INSTALLATION ENCASTRÉE

▲ AVERTISSEMENT - Risque d'explosion

Gardez les matières et les vapeurs inflammables telles que l'essence à distance de la sècheuse.

Placez la sècheuse à au moins 46 cm (18 po) au-dessus du sol dans le cas d'une installation dans un garage.

L'omission de prendre ces précautions peut provoquer la mort, l'explosion ou l'incendie.

- L'air de la sècheuse **DOIT** être évacué vers l'extérieur.
- L'espace minimum entre la sècheuse et les murs adjacents ou d'autres surfaces est le suivant:
 - 2,54 cm (1 po) des deux côtés
 - 7,62 cm (3 po) avant et arrière
 - 2,54 cm (1 po) haut
- L'arrière de la sècheuse doit faire face à un mur.
- Il faut veiller à procurer le dégagement nécessaire à l'installation et aux interventions de service.
- Les portes du placard doivent être perforées ou bien ventilées et disposer d'au moins 150 cm² (60 pouces carrés) d'espace. Si le placard abrite une laveuse et une sècheuse, les portes doivent disposer de 3 m² (120 pouces carrés) au minimum d'espace ouvert.

REMARQUE: SI LE TUYAU D'ÉVACUATION EST SITUÉ À L'ARRIÈRE DE LA SÈCHEUSE, LA CONFIGURATION DU TUYAU POURRAIT DEMANDER UNE DÉGAGEMENT EN ARRIÈRE PLUS GRANDE QUE 3 POUCES.

DÉGAGEMENTS MINIMUMS AUTRES QUE POUR UNE INSTALLATION ENCASTRÉE

Les dégagements minimums par rapport aux surfaces inflammables et pour l'orifice d'aération sont les suivants : 2,54 cm (1 po) des deux côtés, 7,62 cm (3 po) à l'arrière et 2,54 cm (1 po) haut.

L'arrière de la sècheuse doit faire face à un mur.

Veillez à prévoir des dégagements suffisants pour toute installation et réparation.

COMMENT PRÉPARER L'INSTALLATION

Retirez l'emballage.

Aplatissez le carton pour l'utiliser comme cale pour coucher la sècheuse sur le côté. Utilisez le carton pour protéger également le sol en face de l'endroit choisi pour l'installation.

Instructions d'installation

INSTALLATION DU SUPPORT DE SUPERPOSITION

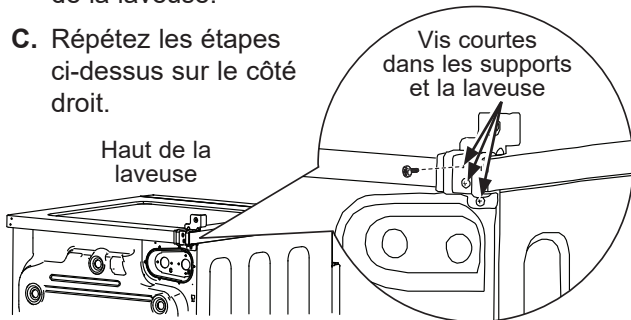
1 INSTALLER LE SUPPORT SUR LA LAVEUSE

A. Retirez la vis du couvercle de la laveuse du côté gauche. Alignez les trous dans le support gauche avec le trou de vis du couvercle sur le côté gauche de l'appareil et remettez la vis en place.

NOTE : Ne revissez pas la vis de façon à ce que l'alignement des trous de la sécheuse soit facilité.

B. Insérez la vis suivante dans le support à l'arrière de la laveuse.

C. Répétez les étapes ci-dessus sur le côté droit.

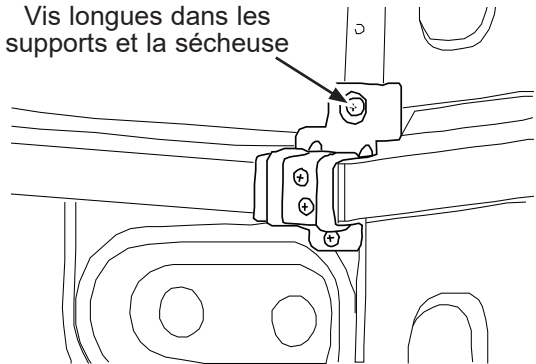


2 COMMENT INSTALLER LA SÉCHEUSE ET LE SUPPORT SUR LA SÉCHEUSE (SUITE)

B. Alignez les trous du support sur ceux situés à l'arrière de la sécheuse. À l'aide d'un tournevis cruciforme, vissez les 2 vis taraudeuses #8 x 1/2 po.

C. Serrez les vis de support de la sécheuse, puis serrez les vis du dispositif de superposition.

Vis longues dans les supports et la sécheuse



2 COMMENT INSTALLER LA SÉCHEUSE ET LE SUPPORT SUR LA SÉCHEUSE

⚠ AVERTISSEMENT Coupez l'alimentation électrique avant de procéder à l'installation. Vous risquez de vous blesser gravement si vous ne le faites pas.

⚠ AVERTISSEMENT  - Risque lié au poids excessif

L'omission de prendre cette précaution peut causer une blessure au dos ou à une autre partie du corps, ou des dommages matériels.

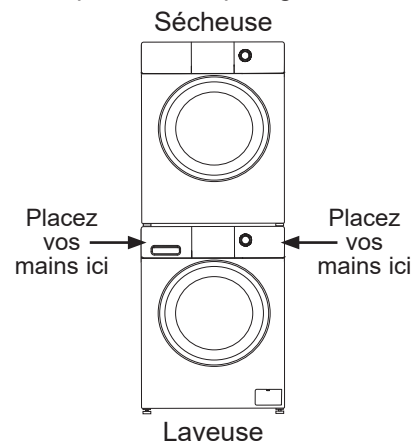
- La participation de deux personnes ou plus est nécessaire pour installer la sécheuse.
- Évitez le basculement et le débranchement des services publics.
- La sécheuse doit être correctement fixée à la laveuse.
- **NE** placez **PAS** la laveuse au dessus de la sécheuse.

A. Placez la sécheuse au-dessus de la laveuse. Protégez le panneau de contrôle avec du carton ou tout autre protection. Prenez soin de soulever la sécheuse à une hauteur suffisante de manière à ne pas masquer le panneau de contrôle de la laveuse.

3 COMMENT TERMINER L'INSTALLATION

⚠ ATTENTION Ne poussez pas sur la sécheuse lorsqu'elle est installée au-dessus de la laveuse. Si vous poussez sur la sécheuse, vous risquez de vous coincer vos doigts.

- Reportez-vous aux consignes d'installation pour terminer l'installation de la laveuse.
- Reportez-vous aux consignes d'installation pour terminer l'installation de la sécheuse.
- Poussez avec précaution la laveuse et la sécheuse superposées à leur emplacement définitif. Utilisez des cales en feutre ou tout autre dispositif coulissant pour faciliter le déplacement et protéger le revêtement du sol.



Instructions d'installation

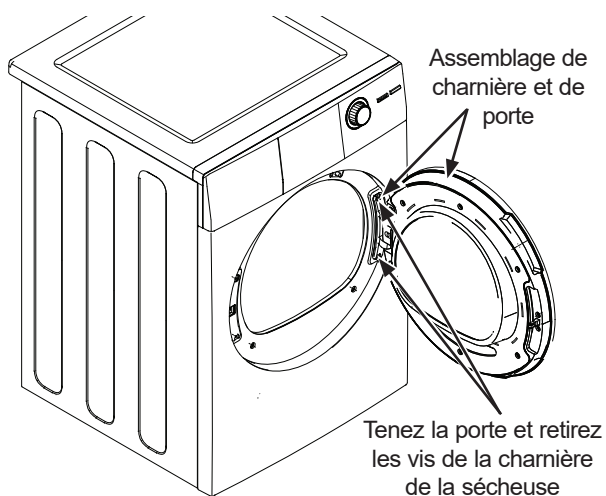
INVERSION DE L'OUVERTURE DE LA PORTE (Optionnel)

REMARQUES IMPORTANTES

- Avant de commencer, débranchez la sécheuse de sa prise électrique.
- Manipulez les pièces avec soin afin d'éviter d'abîmer la peinture.
- Prévoyez une surface non abrasive pour les portes.
- Outils nécessaires : Tournevis cruciforme.
- Après avoir commencé, ne déplacez pas la sécheuse avant que l'inversion de l'ouverture de la porte n'ait été effectuée.
- Ces instructions permettent de transférer les charnières du côté droit vers le côté gauche. Si vous souhaitez les réinstaller du côté droit, veuillez suivre ces mêmes instructions et inversez toutes les références aux termes gauche et droite.

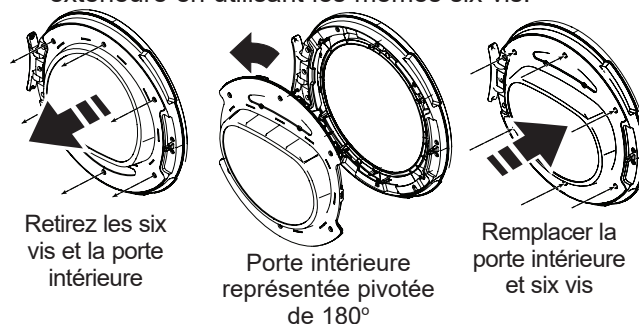
1 RETIREZ L'ASSEMBLAGE DE PORTE

- Ouvrez la porte. Retirez les deux vis qui retiennent l'assemblage charnière / porte à la sécheuse. Mettre soigneusement l'assemblage charnière / porte de côté.



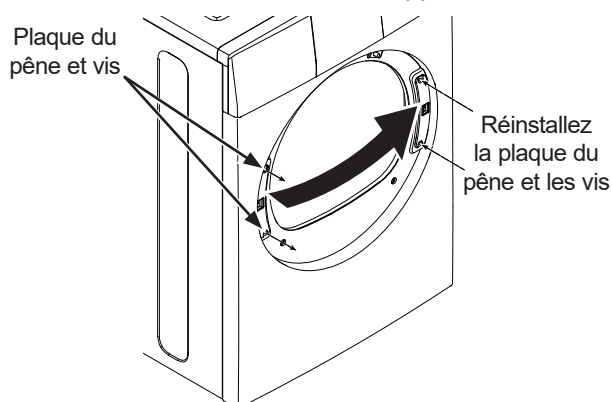
3 RETIREZ, TOURNEZ ET REMPLACEZ LA PORTE INTÉRIEURE

- Retirez les six vis qui fixent la porte intérieure à la porte extérieure. Retirez la porte intérieure, faites-la pivoter de 180° et réinstallez-la dans la porte extérieure en utilisant les mêmes six vis.



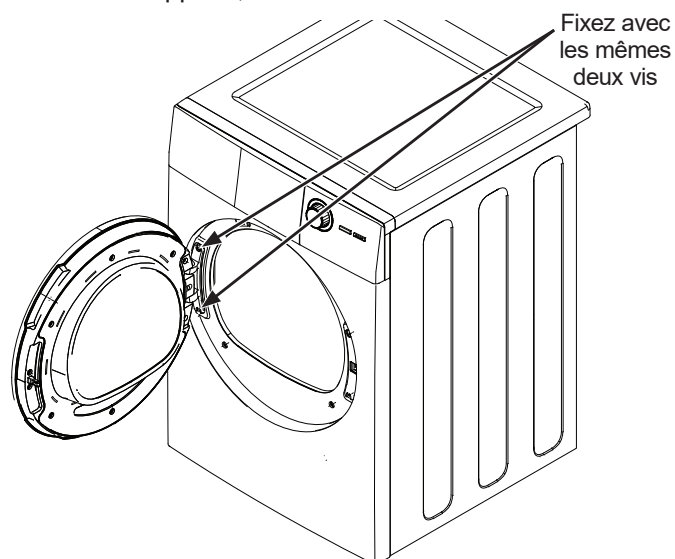
2 RETIREZ, TOURNEZ ET REMPLACEZ LA PLAQUE DU PÊNE

- Retirez les deux vis qui retiennent le pêne. Tournez-le et installez-le du côté opposé.



4 TOURNEZ ET REMPLACEZ L'ASSEMBLAGE CHARNIÈRE / PORTE

- Tournez et remplacez l'assemblage charnière / porte, du côté opposé, en utilisant les mêmes deux vis.



Notes

Conseils de Dépannage...Avant d'appeler un réparateur

Problème	Causes possibles	Correctifs
La sècheuse émet des secousses et des bruits	Le bruit/ou les secousses sont normaux. La sècheuse est peut-être placée sur une surface inégale	Placez l'appareil sur une surface plane, ou ajustez les pattes au besoin jusqu'à ce qu'il soit bien de niveau.
Le séchage est trop long	Des conduits inadéquats ou bouchés	Consultez les consignes d'installation afin de vous assurer que l'évacuation de l'air de la sècheuse est correcte. Veillez à ce que le conduit soit propre, non déformé et non bouché. Assurez-vous que l'évent mural extérieur fonctionne sans problème.
	Tri erroné	Séparez les articles lourds des légers (en général un linge correctement trié dans la laveuse l'est aussi dans la sècheuse).
	Charges de tissus lourds (serviettes par exemple)	Les tissus lourds et de grande taille contiennent de l'humidité et tardent davantage à sécher. Répartissez les tissus lourds et de grande taille en de plus petites charges pour accélérer le séchage.
	Les commandes sont mal réglées	Réglez les commandes conformément à la charge que vous séchez.
	Le filtre à charpie est plein	Nettoyez le filtre à charpie avant chaque utilisation.
	Fusibles grillés ou disjoncteur déclenché	Remplacez les fusibles ou réenclenchez les disjoncteurs. La plupart des sècheuse étant équipées de 2 fusibles/disjoncteurs, assurez-vous que les deux fonctionnent.
	Surcharge/charges mixtes	Ne mettez pas plusieurs charges dans la sècheuse à la fois.
	Charge insuffisante	Si vous ne séchez qu'un ou deux articles, ajoutez d'autres vêtements afin d'obtenir un bon culbutage.
Le niveau de séchage Dry a été sélectionné mais le linge est toujours humide	La brassée est composée de vêtements lourds et légers	Lorsque vous mélangez les tissus lourds et légers, sélectionnez More Dry (Plus Sec).
	Le filtre à charpie est bouché	Inspectez ou nettoyez le filtre à charpie.
	Le capteur d'humidité est sale	Nettoyez le capteur avec un chiffon humide.
Les touches de commande ne répondent pas	Les commandes ont été accidentellement réglées au mode réparation	Appuyez sur Start/Pause (Mise en marche/pause).
	Les commandes ont été accidentellement réglées au mode verrouillage	Maintenez la touche Lock Control (Verrouillage) enfoncée pendant 3 secondes pour déverrouiller la sècheuse.
	Les commandes fonctionnent mal	Réenclenchez le disjoncteur de votre domicile.
La sècheuse ne démarre pas	Le panneau de contrôle est en « veille »	C'est normal. Appuyez sur Power (Alimentation) pour activer le panneau de contrôle.
	La sècheuse est débranchée	Veillez à ce que la fiche de la sècheuse soit entièrement branchée dans la prise.
	Fusible grillé/disjoncteur déclenché	Vérifiez le fusible disjoncteur et remplacez le fusible ou réenclenchez le disjoncteur. REMARQUE : Les sècheuses électriques utilisent deux fusibles ou disjoncteurs.
	La sècheuse a été arrêtée par inadvertance au moment de régler la fonction Delay Dry (Mise en marche différée)	Si la lumière de la touche Start/Pause (Mise en marche/pause) clignote, la sècheuse est arrêtée. Appuyez sur Start/Pause (Mise en marche/pause) pour lancer le compte à rebours.

Conseils de Dépannage...Avant d'appeler un réparateur

Problème	Causes possibles	Correctifs
Aucun chiffre n'apparaît pendant le cycle, il ne fait que s'allumer	La sècheuse évalue la quantité d'humidité du linge	C'est normal. Lorsque la sècheuse détectera un faible niveau d'humidité dans le linge, elle affichera le temps de séchage restant.
Le temps restant a diminué	Le temps estimé risque de changer lorsqu'une charge plus petite est en train de sécher	C'est normal.
Impossible de procéder à une sélection et la sècheuse émet un double bip	L'option dryness Level (Niveau de séchage), Temp (Temperature) ou l'option que vous tentez de sélectionner est incompatible avec le cycle de séchage sélectionné	C'est normal.
La sècheuse fonctionne mais 00 est le temps restant affiché	L'option Extend Tumble (Culbutage prolongé) a été sélectionnée	C'est normal. Pendant un culbutage prolongé, le temps restant n'est pas affiché. L'option de culbutage prolongé dure environ 60 minutes.
Nettoyez le filtre (message)	Le bouton Power (Alimentation) a été activé	Appuyez sur Start/Pause (Mise en marche/pause) pour à charpie lancer un cycle de séchage et le message disparaîtra.
La sècheuse ne chauffe pas	Fusible grillé/disjoncteur déclenché, la sècheuse peut tourner mais ne chauffe pas	Vérifiez le fusible disjoncteur et remplacez le fusible ou réenclenchez le disjoncteur. Votre sècheuse peut tourner si un fusible est grillé ou un disjoncteur est déclenché.
Temps de séchage non uniformes	Type de charge et conditions de séchage	La charge, les types de tissu, l'humidité des vêtements et l'état du filtre à charpie et/ou de l'admission d'air situé à l'avant de la sècheuse affecteront les durées de séchage.
	Type de charge et conditions de séchage	La taille du linge, les types de tissus, l'humidité du linge et la longueur et l'état du système d'évacuation auront une influence sur le temps de séchage.
Lueur à l'arrière du tambour	Chauffage à l'arrière du tambour	C'est normal. Dans certaines conditions de séchage et d'éclairage ambiant, la lueur des chauffages peut être visible à l'arrière du tambour.
Le linge est toujours humide et la sècheuse s'est arrêtée après quelques instants	La porte a été ouverte au milieu du cycle. Le linge a été ensuite retiré de la sècheuse et une nouvelle charge introduite sans sélectionner un nouveau cycle	Un cycle de séchage doit être sélectionné chaque fois qu'une nouvelle brassée est placée dans l'appareil.
	Charge petite	Si vous séchez 3 articles au plus, sélectionnez Speed Dry (Séchage rapide) ou Time Dry (Séchage minuté).
	Le linge est déjà sec à l'exception des cols et les ceintures	Sélectionner Quick Dry (Séchage rapide) ou Time Dry (Séchage minuté) pour sécher des cols et des ceintures. À l'avenir, lorsque vous séchez des articles possédant des cols et des ceintures, sélectionnez plutôt More Dry (Plus Sec).
	La sècheuse n'est pas placée sur une surface plane	Placez l'appareil sur une surface plane, ou ajustez les pattes au besoin jusqu'à ce qu'il soit bien de niveau.
Le linge est froissé	Séchage excessif	Sélectionnez un temps de séchage plus court. Retirez du linge pendant qu'il est encore légèrement humide. Sélectionnez les options Less Dry (Moins sec) ou Damp (Humide).
	Linge laissé dans la sècheuse alors que le cycle est fini Surcharge	Retirez le linge une fois le cycle terminé, pliez et suspendez-le immédiatement, ou utilisez l'option Ext Tumble (Culbutage Prolongé). Répartissez les tissus lourds et de grande taille en de plus petites charges.

Conseils de Dépannage...Avant d'appeler un réparateur

Problème	Causes possibles	Correctifs
Le linge a rétréci	Certains tissus rétréciront naturellement au lavage. D'autres peuvent être lavés sans problème, mais rétréciront dans la sècheuse	Afin d'éviter tout rétrécissement, suivez les indications figurant sur les étiquettes des vêtements. Certains vêtements doivent être étirés après le séchage afin qu'ils retrouvent leur forme d'origine. Si vous avez peur qu'un vêtement rétrécisse, ne le lavez pas à la machine ou ne le séchez pas dans la sècheuse.
Des tâches de gras sur le linge	Une utilisation inadéquate de l'assouplissant	Suivez le mode d'emploi figurant sur l'emballage de l'assouplissant.
	Séchage de linge propre avec du linge sale	Utilisez votre sècheuse pour ne sécher que du linge propre. Le linge sale risque de tacher le linge propre et la sècheuse.
	Le linge n'était pas complètement propre	Il arrive parfois que des taches ne soient pas visibles lorsque le linge est humide et apparaissent après le séchage. Utilisez des procédures de lavage adéquates avant le séchage.
De la charpie sur le linge	Le filtre à charpie est plein	Nettoyez le filtre à charpie avant chaque utilisation.
	Tri erroné	Triez les tissus producteurs de charpie (chenille par exemple) des tissus collecteurs de charpie (le velours côtelé par exemple).
	L'électricité statique peut attirer la charpie	Se reporter aux suggestions de la section Électricité statique .
	Surcharge	Répartissez les tissus lourds et de grande taille en de plus petites charges.
	Papier, mouchoir, etc., oubliés dans les poches	Videz toutes les poches avant de laver le linge.
Électricité statique	Aucun assouplissant n'a été utilisé	Essayez un assouplissant. Les feuilles d'assouplissant textile de marque BounceMD ont été approuvées pour toutes les sècheuses GE Appliances lorsqu'elles sont utilisées conformément aux instructions du fabricant.
	Séchage excessif	Essayez un assouplissant. Réglez l'option Less Dry (Moins Sec) ou Damp (Humide).
	Les synthétiques, les mélanges et les infroissables peuvent provoquer de l'électricité statique	Essayez un assouplissant.
Les cols et les ceintures sont toujours humides à la fin du cycle	Le capteur d'humidité détecte que la majeure partie du linge est sèche	Sélectionnez Quick Dry (Séchage rapide) ou Time Dry (Séchage minuté) pour sécher les cols et les ceintures humides. À l'avenir, lorsque vous séchez des articles possédant des cols et des ceintures, sélectionnez plutôt More Dry (Plus Sec).
Légère variation de la couleur métallique	C'est normal	En raison des propriétés métalliques de la peinture utilisée pour ce produit, de légères variations de couleur peuvent se produire en raison des conditions d'éclairage et des angles d'observation.
La sècheuse continue à fonctionner après que l'affichage indique que le programme est terminé	L'option de culbutage prolongé a été sélectionnée	Assurez-vous que l'option Ext Tumble (Culbutage prolongé) n'a pas été sélectionnée.

Garantie limitée de la sècheuse GE Appliances

GARANTIE LIMITÉE

www.electromenagersge.ca

Toutes les réparations sous garantie seront effectuées par nos centres de réparation ou nos réparateurs autorisés. Pour planifier un service en ligne, rendez-vous sur Electromenagersge.ca/fr/soutien/demande-de-service ou appelez le **800.561.3344**. Veuillez fournir le numéro de série et le numéro de modèle lorsque vous appelez pour obtenir le service.

Pour le diagnostic, la réparation de votre appareil peut nécessiter l'utilisation du port de données embarqué. Celui-ci permet au technicien de réparation GE Appliances de diagnostiquer rapidement des problèmes avec votre appareil. Il permet également à GE Appliances d'améliorer ses produits en fournissant à ces derniers des informations sur votre appareil. Si vous ne voulez pas que les données de votre appareil soient envoyées à GE Appliances, veuillez demander à votre technicien de NE PAS soumettre les données à GE Appliances pendant la réparation.

Pendant la période de :	Nous remplacerons :
Un an À compter de la date d'achat d'origine	Toute pièce de la sècheuse qui se révèle défectueuse en raison d'un vice de matériaux ou de fabrication. Au cours de cette garantie limitée d'un an , nous fournirons également, sans frais , les pièces et la main-d'œuvre pour remplacer la pièce défectueuse.

Ce qui n'est pas couvert :

- Toute visite à votre domicile pour vous expliquer le fonctionnement de l'appareil.
- L'installation, la livraison ou l'entretien inadéquats de l'appareil.
- Toute défectuosité du produit attribuable à une utilisation abusive ou inadéquate, s'il a été utilisé à toute autre fin que celle pour laquelle il a été conçu, ou s'il a été utilisé à des fins commerciales.
- Le remplacement des fusibles ou le réenclenchement des disjoncteurs de votre domicile.
- Les produits qui ne sont pas défectueux ou brisés, ou qui fonctionnent tel que décrit dans le Manuel de l'utilisateur.
- Tout dommage au produit attribuable à un accident, un incendie, une inondation ou une catastrophe naturelle.
- Tout dommage accessoire ou indirect, causé par des défaillances possibles de l'appareil.
- Les défectuosités ou les dommages causés par une utilisation de l'appareil à des températures situées sous le point de congélation.
- Tout dommage causé après la livraison.
- Tout produit auquel il n'est pas possible d'accéder pour effectuer les réparations nécessaires.

EXCLUSION DES GARANTIES IMPLICITES :

Votre seul et unique recours est de faire réparer le produit dans le cadre de cette garantie limitée. Toute garantie implicite, incluant la garantie de qualité marchande ou d'adaptabilité du produit à un usage particulier, est limitée à un an ou à la période la plus courte autorisée par la loi.

Agratez le reçu d'achat ici. Pour obtenir le service sous garantie, vous devrez fournir la preuve de l'achat original.

Cette garantie limitée est offerte à l'acheteur initial, ainsi qu'à tout propriétaire subséquent d'un produit acheté au Canada en vue d'une utilisation domestique au Canada. Si le produit se situe dans une zone où aucun réparateur agréé par GE Appliances n'est disponible, vous devrez peut-être assumer les frais de déplacement de celui-ci ou apporter le produit à un atelier de réparation agréé par GE Appliances.

Dans certains États ou province, il est interdit d'exclure ou de limiter les dommages indirects ou accessoires. Il est alors possible que les limitations ou exclusions ci-dessus ne s'appliquent pas dans votre cas. La présente garantie limitée vous confère des droits juridiques spécifiques. Vous pouvez bénéficier d'autres droits, qui varient d'un État ou d'une province à l'autre. Pour connaître les droits dont vous bénéficiez, communiquez avec le bureau des Relations avec les consommateurs de votre région ou de votre province.

Garant : MC Commercial Inc., Burlington, ON, L7R 5B6

Soutien au consommateur

Site Web de GE Appliances

Vous avez une question ou vous avez besoin d'aide pour votre appareil électroménager? Visitez le site Web de GE Appliances 24 heures par jour, tous les jours de l'année! Vous pouvez aussi y trouver d'autres formidables produits GE Appliances et tirer avantage de tous nos services d'assistance en ligne. Au Canada : ElectromenagersGE.ca/fr.

Enregistrez votre électroménager

Enregistrez votre nouvel appareil en ligne au moment qui vous convient le mieux! L'enregistrement de votre produit dans les délais prescrits permet une meilleure communication et un service rapide, selon les modalités de votre garantie, si besoin est. Vous pouvez également envoyer par courrier la carte d'enregistrement pré-imprimée qui se trouve dans l'emballage de votre appareil.

Au Canada : Prodsupport.mabe.ca/crm/Products/ProductRegistration.aspx.

Service de réparation

Un service de réparation expert GE Appliances se trouve à quelques pas de chez vous. Rendez-vous sur notre site et programmez, à votre convenance, une visite de réparation à n'importe quel jour de l'année.

Au Canada : electromenagersge.ca/fr/soutien/demande-de-service ou composez le 800.561.3344.

Prolongation de garantie

Procurez-vous une prolongation de garantie GE Appliances et informez-vous des rabais spéciaux en vigueur pendant la durée de votre garantie. Vous pouvez vous la procurer en ligne en tout temps. Les services GE Appliances seront toujours disponibles après l'expiration de la garantie.

Au Canada : electromenagersge.ca/fr/soutien/achat-d-une-garantie-prolongee ou composez le 866.277.9842.

Connectivité à distance

Pour de l'assistance concernant la connectivité au réseau sans fil (pour les modèles équipés de cette fonction), visitez notre site Web au <http://www.electromenagersge.ca/fr/nouvelles-et-promotions/nouveautes/wifi-connect/>.

Pièces et accessoires

Les personnes ayant les compétences requises pour réparer elles-mêmes leurs appareils peuvent recevoir directement à la maison des pièces ou accessoires (les cartes VISA, MasterCard et Discover sont acceptées). Commandez en ligne 24 heures par jour.

Au Canada : Electromenagersge.ca/fr/produits/filtres-et-accessoires ou composer le 800.661.1616.

Les instructions contenues dans le présent manuel comportent des procédures que tout utilisateur peut effectuer. Les autres types de réparation doivent généralement être confiés à un technicien qualifié. Utilisez de prudence : une réparation ou un entretien mal effectués peuvent rendre l'utilisation de l'appareil dangereuse.

Communiquez avec nous

Si vous n'êtes pas satisfait du service après-vente de GE Appliances, communiquez avec nous depuis notre site Web en fournissant tous les détails dont votre numéro de téléphone, ou écrivez à :

Au Canada : Director, Consumer Relations, MC COMMERCIAL INC. | Suite 310, 1 Factory Lane | Moncton, N.B. E1C 9M3
electromenagersge.ca/fr/contactez-nous.



SECADORAS

INFORMACIÓN DE SEGURIDAD 3

USAR LA SECADORA

Puesta en Marcha 4

Carga 8

Características 8

CUIDADO Y LIMPIEZA 9

INSTRUCCIONES DE INSTALACIÓN 11

Cómo apilar la lavadora y la secadora (Opcional) 24

Cambiar el sentido de apertura de la puerta (Opcional) 26

CONSEJOS PARA SOLUCIÓN DE PROBLEMAS 28

GARANTÍA LIMITADA 31

SOPORTE AL CLIENTE 32

MANUAL DEL PROPIETARIO E INSTRUCCIONES DE INSTALACIÓN

GFD14

Escriba aquí los números de modelo y serie:

Modelo # _____

Serie # _____

Se encuentran en una etiqueta en el frente de la secadora detrás de la puerta.

GRACIAS POR HACER QUE GE APPLIANCES SEA PARTE DE SU HOGAR.

Ya sea que haya crecido usando GE Appliances, o que ésta es su primera vez, nos complace tenerlo en la familia.

Sentimos orgullo por el nivel de arte, innovación y diseño de cada uno de los electrodomésticos de GE Appliances, y creemos que usted también. Entre otras cosas, el registro de su electrodoméstico asegura que podamos entregarle información importante del producto y detalles de la garantía cuando los necesite.

Registre su electrodoméstico GE ahora a través de Internet. Sitios Web y números telefónicos útiles están disponibles en la sección de Soporte para el Consumidor de este Manual del Propietario.

También puede enviar una carta en la tarjeta de inscripción preimpresa que se incluye con el material embalado.



GE APPLIANCES

INFORMACIÓN IMPORTANTE DE SEGURIDAD

LEA TODAS LAS INSTRUCCIONES ANTES DE USAR

⚠️ ADVERTENCIA

Para reducir el riesgo de incendio, explosión, descargas eléctricas o lesiones sobre las personas al usar su electrodoméstico, siga las precauciones básicas, incluyendo lo siguiente:

- Lea todas las instrucciones antes de usar este electrodoméstico.
- **NO** seque prendas que en forma previa hayan sido secadas, lavadas, penetradas, o manchadas con gasolina, solventes de limpieza en seco, u otras sustancias inflamables o explosivas, ya que despiden vapores que se podrían encender o explotar.
- **NO** coloque prendas expuestas a aceites de cocción en su secadora. Las prendas contaminadas con aceites de cocción podrán contribuir a una reacción química que podría hacer que una carga de ropa se prenda fuego. Para reducir el riesgo de incendio debido a unas cargas contaminadas, la parte final del ciclo de la secadora se produce sin calor (período de enfriamiento). Evite detener una secadora antes del final del ciclo de secado a menos que todos los artículos se retiren y se dispersan rápidamente para que el calor se disipe.
- **NO** permita que los niños jueguen sobre o dentro de este electrodoméstico. Cuando el electrodoméstico se use cerca de niños, será necesario supervisarlos de cerca.
- Antes de que este electrodoméstico quede fuera de uso o se descarte, retire la puerta del compartimiento de secado.
- **NO** introduzca las manos en la secadora cuando el tambor se encuentre en movimiento.
- **NO** instale ni guarde este electrodoméstico donde quede expuesto a los factores climáticos.
- **NO** manipule indebidamente los controles.
- **NO** se trepe ni se pare sobre la unidad.
- **NO** reparar ni reemplazar cualquier parte del electrodoméstico o realizar cualquier otro trabajo técnico, a menos que esto sea específicamente recomendado en las instrucciones de mantenimiento del usuario o en instrucciones publicadas sobre reparaciones del usuario, que entienda y para las cuales posea las destrezas necesarias.
- Siga todas las instrucciones y advertencias de cuidado de tejidos para evitar el derretimiento de las prendas o daños al aparato.
- **NO** utilice suavizantes de tela ni productos para eliminar la estática, a menos que esto sea recomendado por el fabricante del suavizante de tela u otro producto.
- **NO** secar artículos que contengan gomaespuma o materiales de goma con textura similar.
- Limpie la pantalla de pelusa antes o después de cada carga.
- **NO** utilice la secadora si el filtro de pelusas **no** se encuentra colocado.
- **NO** guarde materiales combustibles, gasolina u otros líquidos inflamables cerca de la secadora. Evite la acumulación de pelusa, polvo o tierra alrededor del área de la apertura de ventilación y áreas adyacentes.
- La parte interior del electrodoméstico y el conducto de ventilación se deberán limpiar periódicamente por personal calificado del servicio técnico.
- Desenchufe el electrodoméstico o apague el disyuntor antes de realizar el servicio técnico. Presionar el botón **Power** (Encendido) o **Start/Pause** (Inicio/Pausa) **NO** desconecta el encendido.
- **NO** utilice este electrodoméstico si se encuentra dañado, funcionando mal, parcialmente desensamblado, o si tiene partes faltantes o rotas, incluyendo un cable o enchufe dañado.
- **NO** rocíe ningún tipo de aerosol dentro, sobre ni cerca de la secadora en ningún momento. **NO** use ningún tipo de limpiador en spray para limpiar el interior de la secadora. Se podrán producir vapores o una descarga eléctrica.
- Para acceder a las instrucciones de conexión a tierra, lea los "CONEXIÓN ELÉCTRICA" ubicados en las Instrucciones de Instalación.

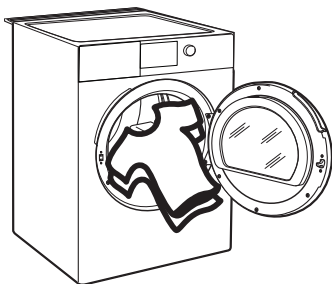
LEA Y GUARDE ESTAS INSTRUCCIONES

Puesta en Marcha

⚠ ADVERTENCIA Para reducir el riesgo de incendios, descargas eléctricas o heridas, lea la **INFORMACIÓN IMPORTANTE DE SEGURIDAD** antes de utilizar este electrodoméstico.

Es posible que las funciones y apariencias varíen con relación a su modelo a lo largo del manual.

Paso 1

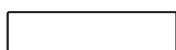


- Agregue las prendas.
- Cierre la puerta.

NOTA: La secadora no se iniciará con la puerta abierta.

Paso 2

Power



- Si la pantalla se encuentra oscura, presione el botón Power (encendido/apagado) para “despertar” la pantalla.

Paso 3



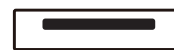
- Seleccione un ciclo de secado. (Existen configuraciones por defecto para cada ciclo de secado. Estas configuraciones por defecto pueden modificarse. Para más información, consulte configuraciones de control.)



- Presione el botón **Timed Dry** (Secado por Tiempo), gire la perilla para ajustar el tiempo, y presione el botón **Temp** (Temperatura) para configurar su propia temperatura.

Paso 4

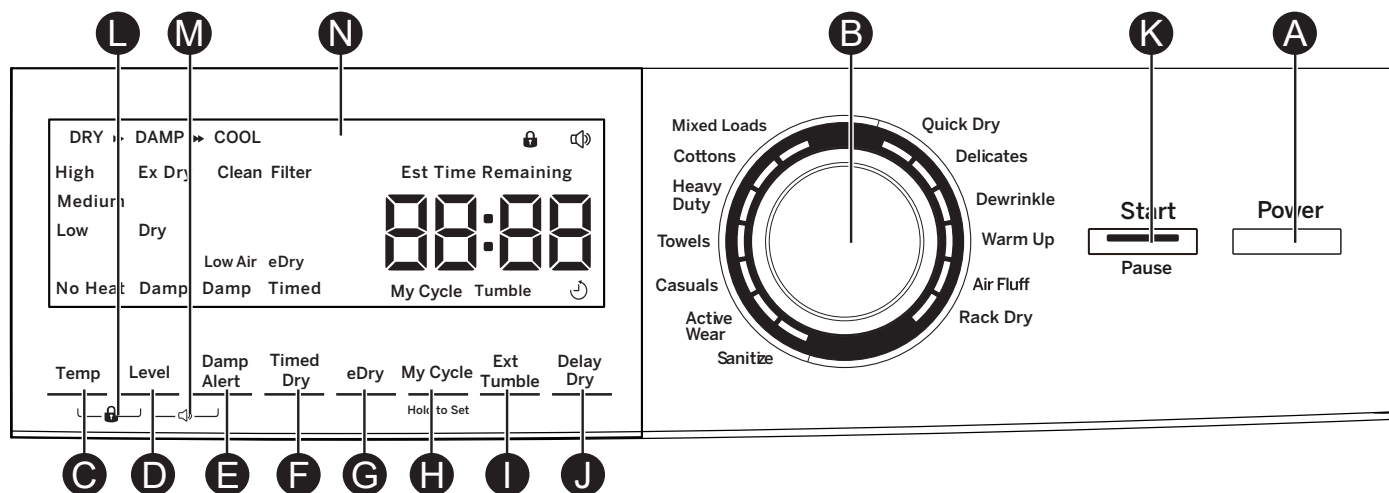
Start



Pause

- Si seleccionó un ciclo de lavado, presione el botón Start/ Pause (iniciar/pausa).

Controles



A Power (Encendido/apagado)

Pulse este botón para “activar” la pantalla. Si la pantalla está activa, presione para apagar la secadora.

NOTA: Al pulsar el botón de Power (encendido/apagado) no se desconecta la lavadora de la corriente.

Puesta en Marcha

B Ciclos de secado

El ciclo de secado controla el tiempo del ciclo para el proceso de secado. La tabla siguiente lo ayudará a combinar la configuración de secado con las cargas.

Mixed Loads (Carga mixta) o Normal (Dependiendo del modelo)	Para cargas que cuentan con algodones y mezclas de poliéster.
Cottons (Algodones)	Para algodones y la mayoría de los linos. NOTA: Los modelos de Energy Star® son probados en Cottons (Algodones) con la configuración predeterminada.
Heavy Duty (Muy Resistentes)	Para abrigos grandes, prendas de cama, cubiertas de colchones, bolsas de dormir, mantas, edredones, fundas y tapetes pequeños, y artículos tales como grandes y gruesos similares.
Towels (Toallas)	Use para toallas O sábanas no se recomienda mezclar toallas y sábanas en la misma carga.
Casuals (Ropa de uso diario)	Para artículos que no se arrugan, planchado permanente y delicados, así como artículos tejidos.
Active Wear (Ropa de Ejercicio)	Prendas utilizadas para ejercicio físico activo y algunas prendas informales. Las telas incluyen acabados de tecnología nueva y fibras elásticas como el Spandex. También para vestimenta con etiqueta Easy Care (Cuidado Fácil) y Perma Press (Planchado Permanente): Para prendas y tejidos sin arrugas y planchado permanente.
Sanitize (Desinfectar)	Reduce ciertos tipos de bacterias en un 96.7%, incluyendo: Staphylococcus aureus y Pseudomonas aeruginosa. El proceso antibacterial ocurre cuando se utiliza un alto nivel de calor durante una parte este ciclo de secado.
Quick Dry (Secado rápido)	Para cargas pequeñas que se necesitan cuando antes, como uniformes deportivos o escolares. También puede usarse si el ciclo anterior dejó húmedas algunas partes, como cuellos o cinturas.
Delicates (Prendas Delicadas)	Para lencería y telas delicadas.
Dewrinkle (Estirar)	Para prendas libres de arrugas/cuidado sencillo y de planchado permanente.
Warm Up (Calentamiento)	Brinda 25 minutos de calentamiento de las ropas.
Air Fluff (Esponjado con aire)	Proporciona 30 minutos de giro del tambor sin calor.
Rack Dry (Secado en Estante)	Para secar prendas delicadas sin giro, use el accesorio del estante de secado. Coloque de forma extendida sobre el estante de secado prendas tales como pulóveres de lana y telas delicadas. Seque con nivel de calor bajo.

C

Temp

Temp (Temperatura)

Usted puede cambiar la temperatura de su ciclo de secado.

High (Alto)	Para algodones normales a pesados.
Medium (Medio)	Para sintéticos, mezclas y prendas marcadas como planchado permanente.
Low (Bajo)	Para delicados, sintéticos y prendas marcadas como Tumble Dry Low (secado bajo en secadora).
No Heat (Sin Calor)	Esta opción sólo puede ser usada con Air Fluff (Secado por Aire) y Timed Dry (Secado temporizado propio) , donde las prendas dan vueltas sin calor.

Puesta en Marcha

D **Level (Nivel)**
 El sensor continuamente monitorea la cantidad de humedad de la carga. Cuando la humedad de sus ropas alcanza su nivel de secado seleccionado, la secadora se detendrá.
NOTA: El nivel de secado del sensor podrá ser usado en todos los ciclos, excepto con **Timed Dry** (Secado temporizado propio), **Air Fluff** (Esponjado con aire), **Rack Dry** (Secado en Estante), **Warm Up** (Calentamiento) and **Dewrinkle** (Estirar).

Extra Dry (Secado)	Para telas muy resistentes o prendas que deben estar muy secas, como las toallas.
Dry (Seco)	Úselo para un nivel de secado normal adecuado para la mayoría de las cargas. Este es el ciclo preferido para ahorrar energía.
Damp (Húmedo)	Para dejar las prendas parcialmente húmedas.

E **Damp Alert (Alerta de humedad)**
 Esta opción hace que la secadora emita un pitido cuando las prendas se han secado hasta un nivel húmedo. Retire las prendas que quiere colgar. **Damp Alert** (Alerta de humedad) sólo sonará cuando se selecciona esta opción, y la secadora continuará de secar. Quitar algunas prendas y colgarlas cuando están húmedas puede reducir la necesidad de plancharlas.


F **Timed Dry (Secado temporizado propio)**
 1. Presione el botón de **Timed Dry** (Secado Programado). Las luces alrededor de la perilla parpadearán. Seleccione el tiempo de secado girando la perilla para aumentar o disminuir el tiempo en incrementos de 10 minutos hasta 2 horas y 30 minutos.
 2. Seleccione la **Temp** de secado.
 3. Cierre la puerta.
 4. Presione **Start/Pause** (Iniciar/Pausa).


G **eDry (en algunos modelos)**
 Reduce el consumo total de energía de ciclos específicos de la secadora mediante el ajuste de ciertas configuraciones de calor.
NOTA: Los tiempos de los ciclos cambiarán cuando se selecciona eDry.
 Los modelos **Energy Star®** se prueban en el ciclo **Cottons** (Algodones) con configuraciones predeterminadas para determinar la clasificación de la consumación de energía de esta secadora. La opción **eDry** se activará por defecto para **Cottons** (Algodones). Las configuraciones de temperatura en la opción High (Alto) y el ajuste de nivel de secado en Dry (Seco) están específicamente diseñados para que este ciclo reduzca el consumo de energía. Para un ahorro de energía óptimo, encienda **eDry**. Para tiempos de secado óptimos, apaga **eDry**. El ahorro de energía variará según las cargas y los ciclos.
 La selección de **eDry** se puede utilizarse con **Mixed Loads** (Carga mixta), **Cottons** (Algodones), **Heavy Duty** (Muy Resistentes), **Towels** (Toallas), **Casuals** (Ropa de uso diario), **Active Wear** (Ropa de Ejercicio) y **Delicates** (Prendas Delicadas).


H **My Cycle (Mi ciclo)**
 Ingrese su combinación favorita de configuraciones y guárdelas aquí para poder acceder a ellas con un toque. Estas configuraciones personales pueden ingresarse mientras un ciclo está en funcionamiento.
Para guardar una combinación de configuraciones My Cycle (Mi ciclo):
 1. Seleccione su ciclo de secado.
 2. Cambie las configuraciones de **Temp** y **Level** para ajustarse a sus necesidades.
 3. Seleccione cualquier opción de secado que desee en opciones.
 4. Presione y sostenga el botón **My Cycle (Mi ciclo)** durante tres segundos para conservar su selección. Sonará un pitido y el botón se encenderá.
Para recordar su combinación conservada My Cycle (Mi ciclo):
 Presione el botón **My Cycle (Mi ciclo)** antes de secar una carga.
Para cambiar su combinación conservada My Cycle (Mi ciclo): Repetir los pasos de 1–4.

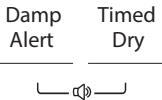
I **Ext Tumble (Secado prolongado)**
 Minimiza las arrugas agregando aproximadamente 2 horas de giro sin calor una vez que esté seca la ropa.
 La pantalla de tiempo estimado restante mostrará "END" (Fin).
 El tiempo de giro extendido no se agrega al tiempo del ciclo en la pantalla.


Puesta en Marcha




J **Delay Dry (Secado retardado)**
 Utilícelo para retardar el inicio de su secadora.
 1. Elija un ciclo de secado y cualquier otra opción.
 2. Presione **Delay Dry** (Secado retardado). Usted puede cambiar el tiempo de inicio retardado en unidades de 1 hora utilizando el botón de **Delay Dry** (Secado retardado).
 3. Presione **Start/Pause** (Inicio/Pausa) para iniciar la cuenta regresiva.
NOTA: Si la puerta se abre mientras la secadora se encuentra en **Delay Dry** (Secado retardado), la cuenta regresiva no volverá a iniciarse a menos que la puerta esté cerrada y el botón **Start/Pause** (Inicio/Pausa) se haya presionado de nuevo.

K **Start/Pause (Inicio/Pausa)**
 Pulse este botón para iniciar un ciclo. Si la secadora está en funcionamiento, al pulsarlo una vez, la secadora se detendrá y se desbloqueará la puerta. Esta función puede utilizarse para agregar prendas durante un ciclo. Vuelva a pulsar el botón para reiniciar el ciclo.
NOTA: Si la secadora está detenida y el ciclo no se reinicia en 15 minutos, se cancelará el ciclo actual.

L **Lock (Bloquear)**
 Puede bloquear los controles para impedir que se realice cualquier selección. O bien puede bloquear los controles después de haber iniciado un ciclo.
 Con esta opción seleccionada, los niños no podrán poner en marcha la secadora de manera fortuita aunque toquen el panel.
 Para bloquear la secadora, presione y sostenga los botones **Temp** (Temperatura) et **Level** (Nivel) al mismo tiempo durante 3 segundos.
 Para desbloquear los controles de la secadora, presione y sostenga los botones **Temp** (Temperatura) et **Level** (Nivel) al mismo tiempo durante 3 segundos. Se escuchará un sonido que indica la condición de bloqueado/desbloqueado.
 El icono de bloqueo de los controles que aparece en la pantalla se encenderá cuando esté activado.
NOTA: El botón **Power** (Encendido/Apagado) puede seguir utilizándose cuando la lavadora está bloqueada.

M **Signal (Señal)**
 Cuando la luz está encendida, la secadora emitirá un pitido al final del ciclo y cada vez que se presione un botón del panel de control.
 Para apagar la señal, mantenga presionados los botones **Damp Alert** (Alerta de humedad) y **Timed Dry** (Secado temporizado propio) durante 3 segundos. Un sonido es realizado para indicar el estado de bloqueo/ desbloqueo.

N **Pantalla y las Luces de Estado**
 La pantalla muestra el tiempo restante aproximado hasta el final del ciclo.
Además, esta pantalla mostrará el estado de la secadora:

Status (Estado)	DRY → DAMP → COOL (SECO HÚMEDO FRÍO)
	Controles bloqueados.
	Señal activada de fin de ciclo.
Clean Filter (Filtro Limpio)	Tiempo de limpiar el filtro. Lea la sección de Cuidado y Limpieza .
Low Air (Bajo aire)	Indica una disminución en el rendimiento del secador y aumenta el riesgo de acumulación de pelusa en los conductos y el secador.
eDry	Muestra la configuración de se eDry .
Temp (Temp.)	Muestra la configuración de temperatura High (Alta), Medium (Media), Low (Baja) o No Heat (Sin Calor) seleccionada.
Level (Nivel)	Muestra la configuración de secado Extra Dry (Extra Seco), Dry (Seco) o Damp (Húmedo).
Damp Alert (Alerta de Humedad)	Indica que Damp Alert (Alerta de Humedad) fue configurado y sonará cuando la ropa se haya secado a un nivel de secado húmedo.
Timed (Por Tiempo)	Indica que un ciclo de Timed Dry (Secado por Tiempo) fue configurado. Se apagará una vez finalizado el ciclo.
Est Time Remaining (Tiempo Restante Estimado)	La pantalla muestra el tiempo restante estimado, hasta que el ciclo de configuración sea completado.
My Cycle (Mi Ciclo)	Indica que la función My Cycle (Mi Ciclo) fue configurada.
Ext Tumble (Giro Extendido)	Indica que la función Extended Tumble (Giro Extendido) fue configurada.
	Indica que la función de tiempo Delay Dry (Secado con Retraso) fue seleccionada.

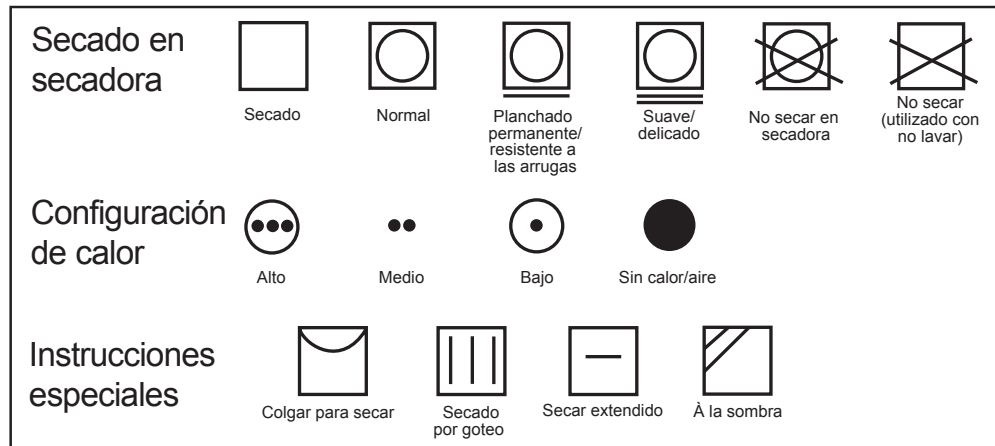
Carga

Siempre siga las instrucciones del fabricante de la ropa cuando lave.

Etiquetas sobre cuidado de las telas

A continuación incluimos los “símbolos” de las etiquetas sobre cuidado de las telas que podrían afectar a las ropas que está lavando.

Etiquetas de secado



Consejos de clasificación y carga

⚠ ADVERTENCIA - Riesgo de incendio

- Mantenga cualquier material y vapores inflamables, tales como gasolina, alejados de la secadora.
- **NO** seque nada que alguna vez haya tenido algo inflamable en éste (incluso luego de lavar).
- Ninguna lavadora puede eliminar el aceite por completo.
- **NO** seque nada que alguna vez haya tenido algún tipo de aceite (incluyendo aceites de cocina).
- Las prendas con gomaespuma, goma, o plástico deberán ser secadas en un tendedero.
- Si no se cumple con esto, se podrá producir muerte, explosión o incendio.

Como regla general, si las prendas están bien clasificadas para la lavadora, estarán bien clasificadas para la secadora. También trate de clasificar las prendas de acuerdo al tamaño. Por ejemplo, no seque una sábana con medias u otros elementos pequeños.

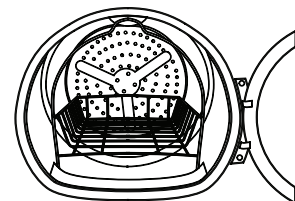
No agregue suavizante de telas una vez que la carga se ha calentado. Esto puede provocar manchas de suavizante. El acondicionador de telas Bounce® en hojas para secadoras ha sido aprobado para su uso en esta secadora cuando se utiliza de acuerdo con las instrucciones del fabricante.

No la sobrecargue. Eso malgasta energía y provoca arrugas.

La rejilla de secado

La rejilla de secado se puede usar para secar artículos delicados tales como suéteres lavables. Coloque las prendas planas en la rejilla de secado y asegure prendas tales como suéteres y telas delicadas. Seque con calor bajo.

Para instalar el estante de secado, extienda el mismo en el tambor de la secadora y deje descansar las dos patas delanteras sobre el apoyo del ángulo frontal.



NOTAS:

- La rejilla de secado se encuentra diseñada para utilizar con el ciclo **Timed Dry** (Secado cronometrado). El uso con ciclos por sensor pueden dejar las prendas húmedas o generar ciclos prolongados.
- No utilice esta rejilla de secado cuando haya otras prendas en la secadora que no se encuentren en la rejilla.
- La rejilla de secado, **WE01X26416**, está disponible como accesorio. Pida en línea en **GEApplianceparts.com**, 24 horas al día o por teléfono al **877.959.8688** durante las horas normales de trabajo.

Cuidado y limpieza

Interior y Conducto

Un técnico calificado debe limpiar la parte interna del aparato y del conducto de salida una vez por año.

El ducto de escape: Inspeccione y limpie el ducto de escape por lo menos una vez al año para evitar los obstrucciones. Un escape parcialmente taponado puede prolongar el plazo de secado.

La salida de escape: Verifique, utilizando un espejo, que las aletas interiores de la salida de escape se mueven libremente durante la operación. Asegúrese de que ningún animal (pájaros, insectos, etc.) haya hecho su nido en el interior del conducto o en la salida de escape.

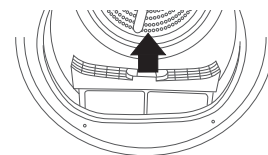
Exterior

Pásele un trapo y elimine el polvo o cualquier derrame de productos de lavandería con un trapo húmedo. Los productos de tratamiento para quitar mugre y manchas podrían dañar el panel de control de la secadora y afectar su apariencia. Aplique estos productos a cierta distancia de la secadora. Luego las telas podrán lavarse y secarse normalmente. Los daños causados a la secadora por estos productos no están cubiertos bajo su garantía.

El filtro de pelusa

Limpie el filtro de pelusa antes de cada uso.

Saque el filtro de pelusa. Humedezca sus dedos y quite la pelusa capturada. Una vez que se encuentre limpio, deslice el filtro nuevamente a su lugar. Pida a un técnico de servicio calificado que aspire la pelusa de la secadora una vez al año.



NUNCA OPERE LA SECADORA SIN EL FILTRO EN SU LUGAR.

Acero inoxidable

Para limpiar superficies de acero inoxidable, utilice un paño húmedo con un limpiador suave y no abrasivo adecuado para superficies de acero inoxidable. Quite los restos de limpiador y luego seque con un paño limpio.

El acero inoxidable utilizado para fabricar el tambor de la secadora ofrece la mayor confiabilidad de una secadora GE Appliances. Si el tambor de la secadora se raya o abolla durante un uso normal, éste no se oxidará o corroerá. Estas imperfecciones de la superficie no afectan la función o durabilidad del tambor.

Cuidado y limpieza

La bombilla del tambor giratorio

NOTA: La lámpara del tambor no puede ser reemplazada por el consumidor en los modelos donde hay una cubierta en forma de plana sobre una bombilla LED. Si esta luz dejara de funcionar, comuníquese al servicio técnico.

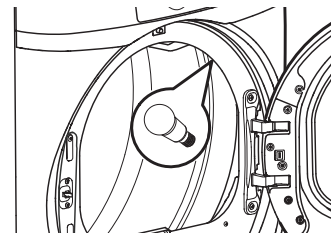
Para los modelos que tienen una cubierta en forma de cúpula sobre la bombilla, asegurada por un tornillo:

Antes de reemplazar la bombilla, asegúrese de desconectar la secadora del tomacorriente o de desconectar la secadora del panel de distribución de su casa removiendo el fusible o interrumpiendo el circuito eléctrico. Alcance por encima de la abertura de la puerta de la secadora dentro del tambor para localizar la cubierta plana.

Quite el tornillo y la cubierta de plástico para acceder a la bombilla. Reemplace con la bombilla apropiada y luego coloque de nuevo la cubierta y el tornillo.

Ordene la lámpara de reemplazo **WE11X26351** a través de Internet en **GEApplianceparts.com**, en forma telefónica al **877.959.8688** durante el horario comercial normal, o adquiera la lámpara del electrodoméstico **7C7** a través de su vendedor minorista.

Cuando la puerta sea abierta, la lámpara del tambor se encenderá de forma automática y permanecerá encendida durante 2 minutos. Cuando la puerta sea cerrada, la lámpara del tambor permanecerá encendida durante 30 segundos.



⚠ ADVERTENCIA - Riesgo de Descarga Eléctrica

Desconecte el suministro de corriente antes de realizar el servicio técnico.

Reemplace todas las piezas y paneles antes de utilizar.

Si no cumple con esto, se podrá producir la muerte o descarga eléctrica.

Instrucciones de instalación

Lavadora

Si tiene alguna pregunta, llame GE Appliances a 800.GE.CARES (800.432.2737) o visite nuestro sitio Web en: GEAppliances.com

ANTES DE COMENZAR

Lea estas instrucciones por completo y con detenimiento.

- **IMPORTANTE** – Guarde estas instrucciones para el uso de inspectores eléctricos locales.
- **IMPORTANTE** – Cumpla con todos los códigos y ordenanzas vigentes.
- Instale la secadora de acuerdo con las instrucciones del fabricante y los códigos locales.
- **Nota al instalador** – Asegúrese de dejar estas instrucciones con el consumidor.
- **Nota al usuario** – Conserve estas instrucciones para referencia futura.
- La instalación de la secadora debe efectuarla un instalador calificado.
- Esta secadora debe tener una salida al exterior.
- Antes de que la secadora antigua sea retirada del servicio o eliminada, quítele la puerta.
- La información sobre reparaciones y el diagrama del cableado se encuentran en la consola de control.
- No permita que niños se suban o se metan dentro del artefacto. Se requiere una supervisión estricta cuando el aparato es utilizado cerca de niños.
- El instalador tiene la responsabilidad de efectuar una instalación adecuada.
- La garantía no cubre las fallas del producto debido a una instalación incorrecta.
- Instale la secadora en lugares donde la temperatura sea mayor a 50°F para un funcionamiento satisfactorio del sistema de control de la secadora.
- Quite y descarte el conducto existente de plástico o de papel de aluminio y coloque un conducto aprobado por UL.

⚠ ADVERTENCIA

- Riesgo de incendios

- La instalación de la secadora debe efectuarla un instalador calificado.
- Instale la secadora de ropa de acuerdo con estas instrucciones y en cumplimiento con los códigos locales.
- **NO** instale una secadora de ropa con conductos de plástico flexible. Si se instala un conducto flexible de metal (semi rígido o de tipo papel de aluminio), debe estar aprobado por UL e instalarse de acuerdo con las instrucciones de “Cómo conectar la secadora a la ventilación doméstica” de este manual. Los materiales de los conductos flexibles a menudo se desploman, se aplastan y atrapan pelusas. Estas condiciones obstruyen la corriente de aire de la secadora e incrementan el riesgo de incendio.
- **NO** instale o almacene este aparato en un lugar donde se vea expuesto al agua o a las inclemencias del tiempo.
- Para reducir el riesgo de una lesión grave o de muerte, cumpla con todas las instrucciones de instalación.
- Guarde estas instrucciones. (Instaladores: Asegúrense de dejar estas instrucciones al consumidor).

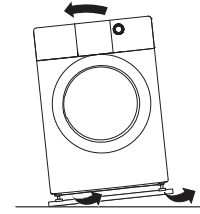
Si planea apilar la lavadora y secadora, solicite el kit de apilado número **GFA24KITL** para usar con esta secadora. El kit se vende por separado.

Instrucciones de instalación

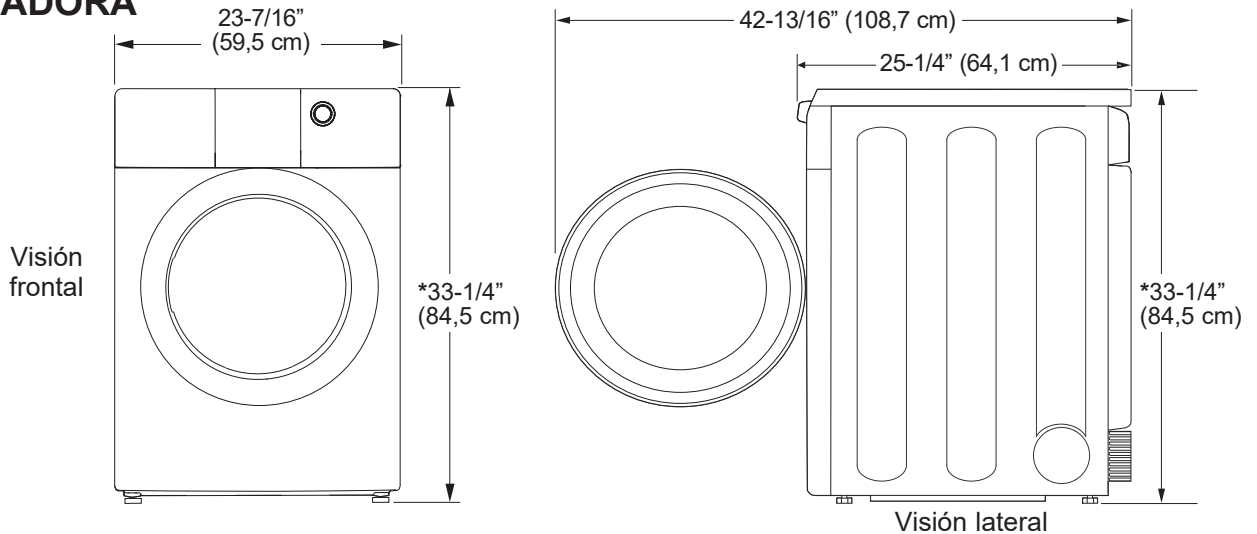
CÓMO DESEMPACAR LA SECADORA

Incline la secadora de costado y saque los paños de espuma de embalaje tirando los costados y quitándolos de las patas de la secadora. Asegúrese de quitar todas las piezas de espuma de las patas.

Saque la bolsa que contiene la información.



DIMENSIONES DE LA SECADORA



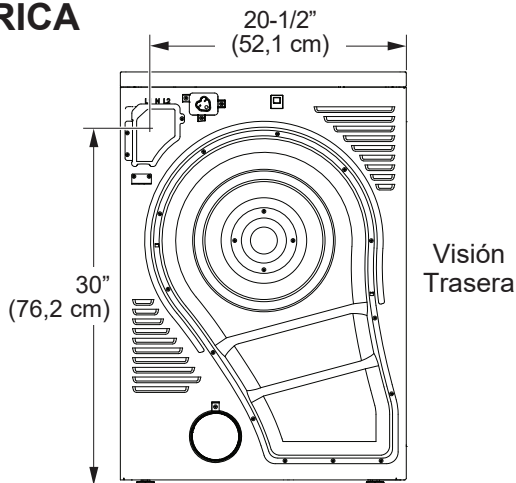
***NOTA:**

Con las patas niveladoras retraídas: 33-1/4 (84.5 cm)

Con las patas niveladoras completamente extendidas: 33-5/8 (85.4 cm)

Apilada: 66-1/2\" (168.9 cm)

DIMENSIONES DE LA CONEXIÓN ELÉCTRICA



CABLES DE CORRIENTE

GE Appliances recomienda enfáticamente el uso de piezas específicas de fábrica. Seleccione el cable de corriente que se adecúe a sus requisitos de instalación.

No. de parte	Tipo	Longitud	Amperios
WX9X2	3-Clavijas	4 Pies	30
WX9X3	3-Clavijas	5 Pies	30
WX9X4	3-Clavijas	6 Pies	30
WX9X18	4-Clavijas	4 Pies	30
WX9X19	4-Clavijas	5 Pies	30
WX9X20	4-Clavijas	6 Pies	30

Solicítelos on-line hoy mismo a GEApplianceparts.com, las 24 horas del día o por teléfono al **877.959.8688** en horario normal de trabajo.

ACCESORIOS:

Ordene hoy a través de Internet en GEApplianceparts.com, las 24 horas del día o en forma telefónica llamando al 800.626.2002, durante el horario comercial habitual.

No. de parte	Accesorio
PM08X10085	Tubo flexible de metal de transición para la secadora

Instrucciones de instalación

REQUERIMIENTOS PARA INSTALACIÓN EN NICHOS O ARMARIOS

⚠ ADVERTENCIA - Riesgo de explosión

Mantenga cualquier material y vapores inflamables, tales como gasolina, alejados de la secadora.

Coloque la secadora a por lo menos 18" (46 cm.) del piso cuando sea instalada en un garaje.

Si no se cumple con esto, se podrá producir una explosión, incendio o la muerte.

- Esta secadora DEBE tener una ventilación al exterior.
- El espacio libre mínimo entre el armario de la secadora y las paredes adyacentes u otras superficies es:
 - 0" sobre ambos lados
 - 1" sobre el frente y la parte trasera
 - 1" superior
- La parte posterior de la secadora debe mirar hacia una pared.
- Se deberá considerar que se debe brindar el despeje adecuado para la instalación y el servicio técnico.
- Las puertas del armario deben contar con rejillas u otro tipo de ventilación y tener por lo menos 60 pulgadas cuadradas de espacio abierto. Si el armario incluye una lavadora y una secadora, las puertas deben contener un mínimo de 120 pulgadas cuadradas de espacio abierto.

NOTA: CUANDO EL CONDUCTO DE SALIDA ESTÁ UBICADO EN LA PARTE TRASERA DE LA SECADORA, LA CONFIGURACIÓN DEL DUCTO PODRÍA REQUERIR DETRÁS UN CLARO MAYOR A 3 PULGADAS.

ESPACIO LIBRE MÍNIMO EN OTROS ESPACIOS QUE NO SEAN INSTALACIONES EN NICHOS O ARMARIOS

Los espacios libres mínimos respecto de superficies combustibles y de aberturas de aire son: 0" a ambos lados, 1" en la parte trasera y 1" superior.

La parte posterior de la secadora debe mirar hacia una pared.

Debe tenerse en cuenta un espacio libre adecuado para un funcionamiento y reparación correctos.

INSTALACIÓN EN CASAS MÓVILES O PREFABRICADAS

- Instalación DEBE cumplir con la NORMA SOBRE CONSTRUCCIÓN Y SEGURIDAD DE CASAS PREFABRICADAS, TÍTULO 24, PARTE 3280 o NORMA PARA CASAS RODANTES CAN/CSA-Z240 MH, o, cuando dicha norma no sea aplicable, con la NORMA NACIONAL ESTADOUNIDENSE PARA CASAS MÓVILES, ANSI/NFPA N° 501B.
- La secadora DEBE tener ventilación al exterior.
- La ventilación del escape DEBERÁ estar ajustado de forma segura a una parte no combustible de la casa rodante.
- La ventilación NO DEBE terminar debajo de una casa móvil o prefabricada.
- El material del conducto de ventilación DEBE SER METAL.
- DEBE utilizarse el KIT 14-D346-33 para conectar bien la secadora a la estructura.
- La ventilación NO DEBE conectarse a ningún otro conducto, ventilación o chimenea.
- NO utilice tornillos para placas de metal u otros dispositivos de sujeción que se extiendan al interior de la ventilación de salida.
- Debe contar con una abertura con un espacio libre de por lo menos 25 pulgadas cuadradas para el ingreso de aire exterior dentro de la secadora habitación.
- Para acceder a información sobre la conexión eléctrica, consulte la section.

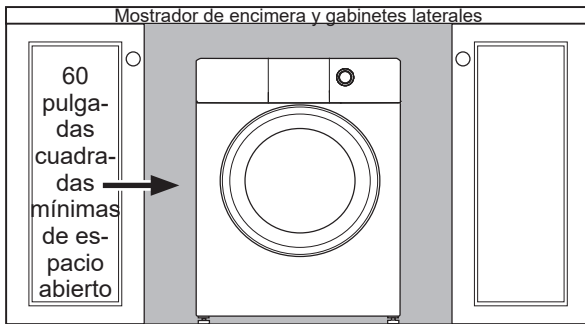
Instrucciones de instalación

INSTALACIÓN BAJO EL MOSTRADOR DE ENCIMERA

Si desea una instalación bajo mostrador de encimera:

- No se necesita un kit especial de instalación de secadoras.
- Si la secadora se instala sola, se necesita un mínimo de 60 pulgadas cuadradas de espacio abierto. Si la lavadora y la secadora se instalan juntas, se necesita un mínimo de 120 pulgadas cuadradas de espacio abierto.

Secadora instalada sola



Lavadora y secadora instaladas juntas







INSTALACIÓN EN BAÑOS O DORMITORIOS

La instalación debe cumplir con los códigos locales o, si no los hubiera, con el CÓDIGO NACIONAL ELÉTRICO, ANSI/NFPA NC. 70 (para secadoras eléctricas).






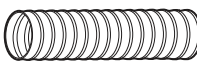




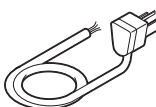
Instrucciones de instalación

CÓMO CONECTAR UNA SECADORA ELECTRICA

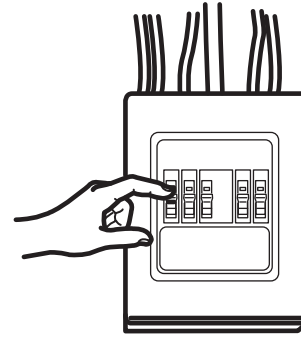
HERRAMIENTAS NECESARIAS

- Pinzas 
- Destornillador de lados planos 
- Destornillador Phillips 
- Nivel 

MATERIALES NECESARIOS

- Codo de metal de 4" de diámetro 
- Alivio de tensión de 3/4" (reconocido por UL) 
- Abrazaderas de tubería de 4" (2) o abrazaderas de resorte de 4" (2) 
- Gafas de seguridad 
- Conducto de metal de 4" de diámetro (recomendado) 
- Conducto de metal flexible de 4" de diámetro (si fuese necesario) 
- 4" Placa de cubierta Kit WE49X22606 (si fuese necesario) 
- Guantes 
- Campana de salida 
- Cinta aislante 
- Kit de cable de energía de la secadora (no incluido con la secadora)
Clasificado UL, de 120/240V, 30A con 3 o 4 patas. Identifique el tipo de enchufe según el tomacorriente de la vivienda antes de comprar el cable. 

Antes de efectuar la conexión eléctrica, desactive los disyuntores o quite los fusibles del circuito de la secadora de la caja eléctrica. Verifique que el cable de la secadora esté desenchufado del tomacorriente. **NUNCA OLVIDE DE VOLVER A COLOCAR LA TAPA DE ACCESO DEL BLOQUE TERMINAL.**



⚠ ADVERTENCIA - Riesgo de Descarga Eléctrica

Desconecte el suministro de corriente antes de realizar el servicio técnico.

Reemplace todas las piezas y paneles antes de utilizar. Si no cumple con esto, se podrá producir la muerte o descarga eléctrica.

Instrucciones de instalación

CONEXIÓN ELÉCTRICA INFORMACIÓN SOBRE LAS SECADORAS ELÉCTRICAS

Para realizar conexiones eléctricas con un cable de corriente:

ADVERTENCIA - Riesgo de incendio

Use un cable de suministro de corriente de la secadora de 30 amperes y 240V de la lista de UL, con terminales de anillo cerradas o terminales de espada con extremos al revés. Use un amortiguador con refuerzo de la lista de UL. Desconecte la corriente antes de realizar conexiones eléctricas.

Conecte el cable neutro (el blanco o el cable central) a la terminal central.

El cable a tierra (verde o pelado) se deberá conectar al conector a tierra verde.

Conecte los dos cables de suministro restantes a las dos terminales restantes.

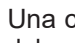
De forma segura ajuste todas las conexiones eléctricas.

Reemplace la tapa del bloque terminal.

Si no cumple con esto, se podrá producir la muerte, incendio o descarga eléctrica.

INSTRUCCIONES DE CONEXIÓN A TIERRA

Para una secadora conectada con cable con conexión a tierra: Esta secadora deberá estar conectado a tierra. En caso de mal funcionamiento o avería, la conexión a tierra reducirá el riesgo de descargas eléctricas al brindar un camino con una resistencia menor para la corriente eléctrica. Esta secadora está equipada con un cable con un conductor para la conexión a tierra del equipo y un enchufe con conexión a tierra. El enchufe deberá estar conectado a un tomacorriente instalado en forma adecuada y con conexión a tierra de acuerdo con todos los códigos y ordenanzas locales.

 **ADVERTENCIA** Una conexión inapropiada del conductor de conexión a tierra del equipo puede provocar riesgos de descargas eléctricas. Consulte a un electricista calificado o personal o representantes del servicio técnico si tiene dudas de que el electrodoméstico se encuentre conectado a tierra apropiadamente. **NO** modifique el enchufe en el cable de suministro de corriente. Si no coincide con la toma de corriente, contrate a un electricista calificado para que instale una toma de corriente en forma adecuada.

GUARDE ESTAS INSTRUCCIONES

ADVERTENCIA - Riesgo de Descarga Eléctrica

PARA EVITAR DESCARGAS ELÉCTRICAS, DESCONECTE LA ALIMENTACION ELÉCTRICA ANTES DE REALIZAR EL SERVICIO.

Esta secadora debe conectarse a un circuito derivado individual con un cable de cobre de calibre mínimo 10 a través de un fusible de 30 amperios o un interruptor de circuito. **NUNCA** meter un fusible en el cable neutro. Use solo conductores de cobre.

CONEXIÓN ELÉCTRICA INFORMACIÓN SOBRE LAS SECADORAS ELÉCTRICAS

Para conexiones directas de cables:

ADVERTENCIA - Riesgo de incendio

Use un cable de cobre con calibre de 10

Use un amortiguador con refuerzo de la lista de UL.

Desconecte la corriente antes de realizar conexiones eléctricas.

Conecte el cable neutro (el blanco o el cable central) a la terminal central.

El cable a tierra (verde o pelado) se deberá conectar al conector a tierra verde.

Conecte los dos cables de suministro restantes a las dos terminales restantes.

De forma segura ajuste todas las conexiones eléctricas.

Reemplace la tapa del bloque terminal.

Si no cumple con esto, se podrá producir la muerte, incendio o descarga eléctrica.

INSTRUCCIONES DE CONEXIÓN A TIERRA

Para una secadora conectada de forma

permanente: Esta secadora debe estar conectada a un sistema de cableado de metal permanente con conexión a tierra o se debe tender un conductor para la conexión a tierra del equipo con los conductores del circuito y ser conectado al terminal de tierra del electrodoméstico.

 **ADVERTENCIA** Una conexión inapropiada del conducto de conexión a tierra del equipo puede provocar riesgos de descargas eléctricas. Consulte a un electricista calificado o personal o representantes del servicio técnico si tiene dudas de que el electrodoméstico se encuentre conectado a tierra apropiadamente.

GUARDE ESTAS INSTRUCCIONES

ADVERTENCIA - Riesgo de Descarga Eléctrica

PARA EVITAR DESCARGAS ELÉCTRICAS, DESCONECTE LA ALIMENTACION ELÉCTRICA ANTES DE REALIZAR EL SERVICIO.

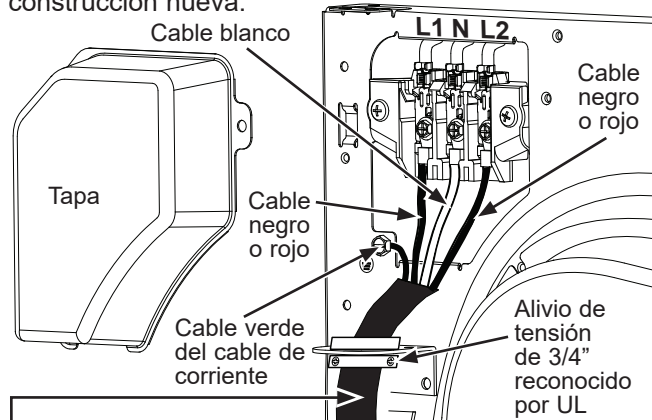
Esta secadora debe conectarse a un circuito derivado individual con un cable de cobre de calibre mínimo 10 a través de un fusible de 30 amperios o un interruptor de circuito. **NUNCA** meter un fusible en el cable neutro. Use solo conductores de cobre.

Instrucciones de instalación

CÓMO CONECTAR LA SECADORA USANDO UNA CONEXIÓN DE 4 CABLES (DEBE UTILIZARSE EN INSTALACIONES DE CASAS RODANTES)

NOTA: Desde el 1 de enero de 1996, el Código Eléctrico Nacional exige que las nuevas construcciones utilicen una conexión de 4 cables a una secadora eléctrica. También debe usarse un cable de 4 alambres cuando los códigos locales no permiten una conexión a tierra a través de cable neutral.

NO debe usarse una conexión de tres cables en una construcción nueva.



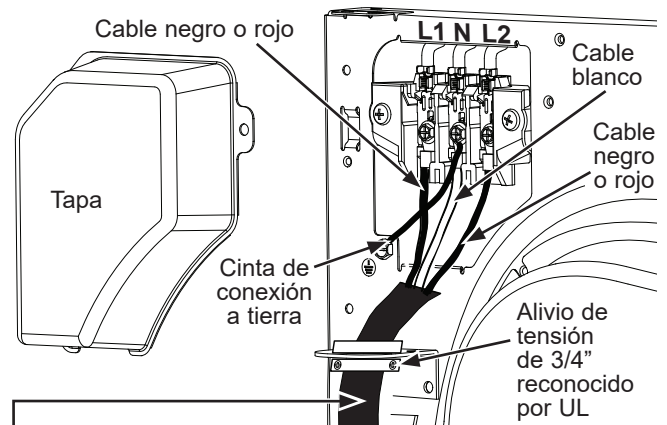
4 conductores de cobre #10 AWG mínimo o kit de cable de suministro de energía de 120/240V 30A marcado para su uso con secadoras y provisto con terminales de bucle cerrado o hembra con extremos hacia arriba (no provistos).

1. Desactive el disyuntor (30 amperios) o quite el fusible del circuito de la secadora de la caja eléctrica.
2. Verifique que el cable de la secadora esté desenchufado del tomacorriente.
3. Quite la tapa del cable de energía ubicada en la parte trasera superior.
4. Retire el tornillo a tierra verde y guarde el mismo para su uso en el paso 7. Retire el tornillo central (con la marca N) en el bloque terminal. Retire y descarte la cinta de conexión a tierra.
5. Instale un alivio de tensión de 3/4 pulgadas reconocido por UL en el orificio de entrada del cable de energía. Pase el cable de energía a través del alivio de tensión.
6. Conecte el cable de energía de la siguiente manera:
 - A. Conecte los dos cables vivos a los tornillos externos del bloque terminal (marcado L1 y L2).
 - B. Conecte el cable neutral (blanco) al centro del bloque terminal (marcado N).
7. Conecte el cable a tierra del cable de energía con el tornillo verde de conexión a tierra (orificio sobre el soporte de alivio de tensión). Ajuste por firmemente todos los tornillos (3) del bloque terminal.
8. Ajuste bien el cable de energía al alivio de tensión.
9. Vuelva a instalar la tapa.

NUNCA OLVIDE DE VOLVER A COLOCAR LA TAPA DEL BLOQUE TERMINAL.

CÓMO CONECTAR LA SECADORA USANDO UNA CONEXIÓN DE 3 CABLES

Si así lo requirieran los códigos locales, instale una conexión a tierra externa (no provista) a metal con conexión a tierra, tuberías de agua fría con conexión a tierra u otra conexión a tierra establecida por un electricista calificado.



3 conductores de cobre #10 AWG mínimo o kit de cable de suministro de energía de 120/240V 30A marcado para su uso con secadoras y provisto con terminales de bucle cerrado o hembra con extremos hacia arriba (no provistos).

Conexión de 3 cables

NO usar en Canadá.

NO usar en instalaciones en casas móviles.

NO usar en casas nuevas.

NO usar en vehículos recreativos.

NO usar en áreas donde los códigos locales prohíben la conexión eléctrica a tierra por el medio del cable neutral.

1. Desactive el disyuntor (30 amperios) o quite el fusible del circuito de la secadora de la caja eléctrica.
2. Verifique que el cable de la secadora esté desenchufado del tomacorriente.
3. Quite la tapa del cable de energía ubicada en la parte trasera superior.
4. Instale un alivio de tensión de 3/4 pulgadas reconocido por UL en el orificio de entrada del cable de energía. Pase el cable de energía a través del alivio de tensión.
5. Conecte el cable de energía de la siguiente manera:
 - A. Conecte los dos cables vivos a los tornillos externos del bloque terminal (marcado L1 y L2).
 - B. Conecte el cable neutral (blanco) al centro del bloque terminal (marcado N).
6. Asegúrese de que la cinta de conexión al tornillo verde de conexión a tierra de la parte trasera del gabinete. Ajuste por firmemente todos los tornillos (3) del bloque terminal.
7. Ajuste bien el cable de energía al alivio de tensión.
8. Vuelva a instalar la tapa.

NUNCA OLVIDE DE VOLVER A COLOCAR LA TAPA DEL BLOQUE TERMINAL.

Instrucciones de instalación

SALIDA AL EXTERIOR DE LA SECADORA

⚠ ADVERTENCIA - Riesgo de incendio

Esta secadora DEBE tener una ventilación al exterior. Utilice sólo un conducto de metal rígido de 4" para la ventilación de salida doméstico.

Use sólo un conducto de transición de la secadora de metal rígido de 4", de metal flexible de la lista de UL, o de papel de aluminio de la lista de UL para conectar la secadora a la salida del hogar.

NO use ningún plástico para ventilar la secadora; esto incluye el conducto de salida del hogar, el conducto de transición de la secadora, o dentro de la secadora.

NO use un conducto de metal flexible o de papel de aluminio para un conducto de salida del hogar o dentro de la secadora.

NO use la salida de una chimenea, la salida de la cocina, ventilación de gas, pared, cielo raso, ático, espacio de rastreo, o espacio escondido de una edificación.







NO instale una pantalla en o sobre el conducto de salida.

NO instale un ventilador de refuerzo en el ducto de ventilación.

NO use un conducto más largo que aquél especificado en la tabla de longitud de salida.

Si no se siguen estas instrucciones se podrá producir la muerte o un incendio.

HERRAMIENTAS Y MATERIALES NECESARIOS PARA INSTALAR UN CONDUCTO DE SALIDA

- | | |
|---|--|
| <input type="checkbox"/> Destornillador phillips  | <input type="checkbox"/> Perfore con una broca de 1/8" drill bit (para ventilación inferior)  |
| <input type="checkbox"/> Cinta aislante o abrazaderas de tubería  | <input type="checkbox"/> Sierra para metales  |
| <input type="checkbox"/> Conducto de metal de 4" (10,2 cm) flexible o rígido listado UL  | <input type="checkbox"/> Campana de ventilación  |

PARTES DISPONIBLES DESDE GEAPPLIANCEPARTS.COM U ORGANIZACIONES DE SERVICIO LOCALES

- | | |
|-------------------|---|
| PM8X85 | Campana de escape exterior |
| PM08X10085 | Conducto de transición de 8' flexible de metal con 2 abrazaderas para secadoras |
| WX08X10130 | Abrazadera para escape de 4" para secadoras |
| WE49X22606 | Cubierta de abertura de escape posterior, para secadoras ventiladas al lado o por la base |

CONEXIÓN DE LA SECADORA A LA VENTILACIÓN DE LA CASA CONDUCTO DE TRANSICIÓN DE METAL RÍGIDO

- Para un mejor funcionamiento del secado, se recomienda el uso de un conducto de transición de metal rígido.
- Los conductos de transición de metal rígido reducen el riesgo de que se puedan aplastar o doblar.

CONDUCTO DE TRANSICIÓN DE METAL FLEXIBLE SECADORA DE ROPA DE LA LISTA DE UL

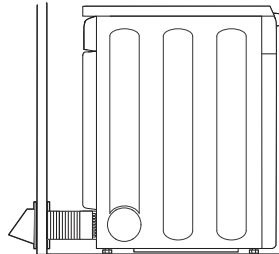
- Si un conducto de metal rígido no puede ser utilizado, entonces un conducto de metal flexible aprobado por UL puede ser utilizado. (GE Appliances parte – PM08X10085.)
- Nunca instale un conducto de transición en paredes, cielos rasos, pisos u otros espacios adjuntos.
- La longitud total del conducto de transición no deberá superar los 8' (2.4 m).
- Para muchas aplicaciones, se recomienda enfáticamente la instalación de codos tanto en la secadora como en la pared. Los codos permiten que la secadora pueda estar junto a la pared sin que se aplaste ni se doble el conducto de transición, maximizando el rendimiento del secado.
- Evite que la tubería se apoye sobre objetos cortantes.

CONDUCTO DE TRANSICIÓN DE METAL FLEXIBLE (TIPO HOJA DE ALUMINIO) DE LA LISTA DE UL

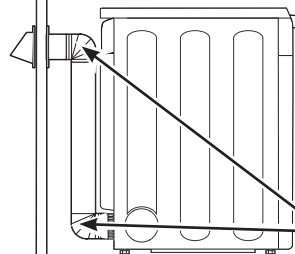
- En instalaciones especiales, puede ser necesario conectar la secadora a la ventilación doméstica usando un conducto de metal flexible (tipo papel de aluminio). Un conducto universal flexible aprobado por UL (GE Appliances partes - PM8X73 o WX8X73) puede ser utilizado ÚNICAMENTE en instalaciones donde un conductor de metal rígido o flexible no puede ser utilizado y donde un diámetro de 4" puede mantenerse a lo largo del conducto.
- En Canadá y en Estados Unidos, sólo se podrán usar los conductos de transición que cumplan con "UL 2158A STANDARD FOR CLOTHES DRYER TRANSITION DUCT" (UL 2158A - Norma de conductos para secadoras de ropa).
- Evite que la tubería se apoye sobre objetos cortantes.
- Para un mejor funcionamiento:
 1. Deslice un extremo del conducto sobre la tubería de salida de la secadora de ropa.
 2. Asegure el conducto con una abrazadera.
 3. Con la secadora en su posición permanente, extienda el conducto hasta su máxima extensión. Permita que 2" del conducto se superpongan con la tubería de escape. Corte y retire el sobrante del conducto. Mantenga el conducto lo más recto posible para lograr el flujo de aire máximo.
 4. Asegure el conducto a la tubería de escape con la otra abrazadera.

Instrucciones de instalación

SALIDA AL EXTERIOR DE LA SECADORA (cont.)

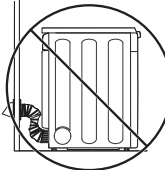


• **CORTE** el conducto lo más corto posible e instálelo derecho en la pared.



• **UTILICE** codos cuando hagan falta curvas.

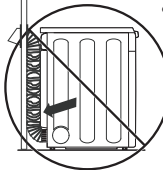
Coudes



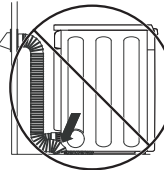
• **NO** doble o pliegue los conductos. Utilice codos si algunos codos resultan necesarios.



• **NO** utilice una longitud de salida excesiva. Corte los conductos con la longitud más corta posible.



• **NO** aplaste el conducto contra la pared.



• **NO** coloque la secadora en el conducto.

LONGITUD DE SALIDA

Al utilizar una salida de mayor longitud a la especificada se:

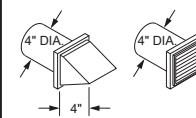
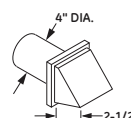
- Incrementarán los tiempos de secado y el costo de energía.
- Reducirá la vida útil de la secadora.
- Acumulará pelusa, lo que podría generar un riesgo potencial de incendio.

La correcta instalación de salida es **SU RESPONSABILIDAD**.

Los problemas generados por una instalación incorrecta no se encuentran cubiertos por la garantía.

La longitud MÁXIMA PERMITIDA del sistema de salida depende del tipo de conducto, la cantidad de curvas, la clase de campana de salida (cubierta de pared) y todas las condiciones indicadas en el gráfico.

- Codos internos agregados para conversiones de ventilación lateral o inferior se deberán incluir en la cuenta total de los codos.
- Cualquier codo superior a 45° debería ser considerado como un codo de 90°; un codo de 45° o menos puede ser ignorado.
- Dos codos de 45° deberán ser considerados como un codo de 90°.
- Para el escape lateral, agregue un codo de 90° a la tabla.
- Para cada codo adicional de 90°, reduzca en 10 pies la longitud permisible del sistema de escape.
- En el cálculo de la longitud total del sistema de ventilación, debe agregar todas las partes rectas y codos del sistema (incluyendo el conducto de transición).

LONGITUD DE ESCAPE	LONGITUD MÁXIMA RECOMENDADA	
	Tipos de campanas de escape	
	Recomendado	Use sólo para instalaciones de cortas
		
Cantidad de codos de 90°	Metal Rígido	Metal Rígido
0	90 Pies	60 Pies
1	60 Pies	45 Pies
2	45 Pies	35 Pies
3	35 Pies	25 Pies
4	25 Pies	15 Pies

Instrucciones de instalación

SALIDA AL EXTERIOR DE LA SECADORA (cont.)

LISTA DE CONTROL DEL SISTEMA DE SALIDA

CAMPANA O CUBIERTA DE PARED

- Instale la salida de modo de evitar contracorrientes o el ingreso de pájaros u otros insectos o animales.
- La boca de salida debe presentar una resistencia mínima al flujo de salida y debe requerir poco mantenimiento para evitar las obstrucciones.
- Las cubiertas de pared deben instalarse por lo menos a 12" sobre el nivel del suelo o cualquier otra obstrucción con la abertura apuntando hacia abajo.

SEPARACIÓN DE CURVAS

- Para un mejor desempeño, separe todas las curvas con 4 pies de conducto recto como mínimo, incluyendo la distancia entre la última curva y la cubierta de pared con regulador de tiro.

SELLADO DE JUNTAS

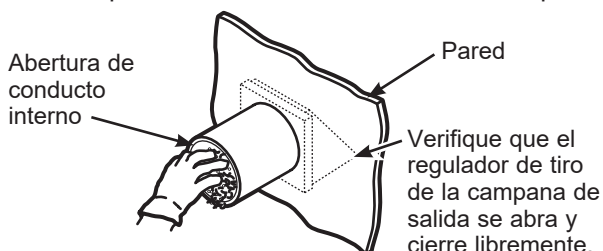
- Todas las juntas deben estar bien selladas para evitar pérdidas. El extremo macho de cada sección de conducto debe apuntar en dirección opuesta de la secadora.
- Las juntas de los conductos deben ser herméticas al aire y a la humedad mediante la superposición de juntas con cinta aislante o cinta de aluminio.
- No ensamble la tubería con tensores que se extiendan sobre el conducto. Estos tensores acumulan pelusa, creando un posible riesgo de incendio.
- Los tramos horizontales deben tener una inclinación hacia el exterior de 1/4" por pie.
- Incluya un acceso para inspección y limpieza del sistema de salida, especialmente en las curvas. Inspeccione y limpie el conducto por lo menos una vez al año.

AISLACIÓN

- Los conductos instalados a través de una área sin calefacción o ubicados cerca de un acondicionador de aire deben aislarse para reducir la condensación y la acumulación de pelusas.

ANTES DE COMENZAR

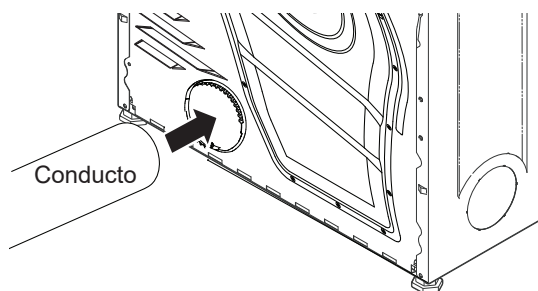
- Retire y elimine plásticos u hojas de aluminio existentes en el conducto de transición y reemplace por el conducto de transición nuevo que figura en la lista de UL.
- Quite las pelusas de la abertura de salida de la pared.



SALIDA TRASERA ESTÁNDAR

Recomendamos instalar la secadora antes que la lavadora. Esto permitirá un acceso directo para poder efectuar la conexión de salida.

Deslice el extremo del conducto de salida hacia la parte trasera de la secadora y sujete con cinta aislante o una abrazadera de mangueras.



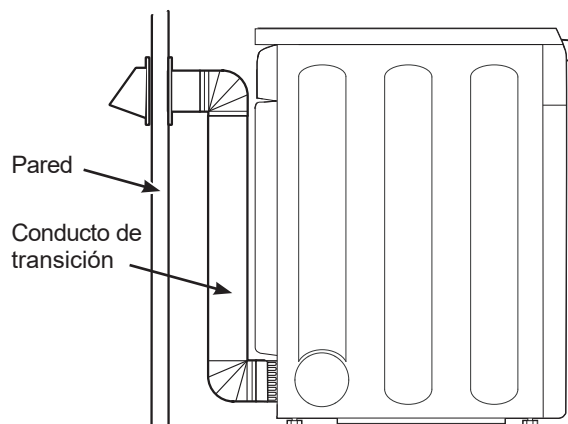
NOTA: Recomendamos el uso de un conducto de salida rígido de metal. Sin embargo, si se usan conductos flexibles éstos deben ser de metal aprobados por UL, no de plástico.

- Para la instalación en línea recta, conecte el escape de la secadora a la campana de escape usando cinta para conducto o una abrazadera.



CONFIGURACIÓN RECOMENDADA PARA MINIMIZAR LAS OBSTRUCCIONES DE LA SALIDA

El uso de codos evitará que los conductos se tuerzan y caigan.



Instrucciones de instalación

SALIDA AL EXTERIOR DE LA SECADORA (cont.)

VENTILACIÓN LATERAL O POR LA PARTE INFERIOR

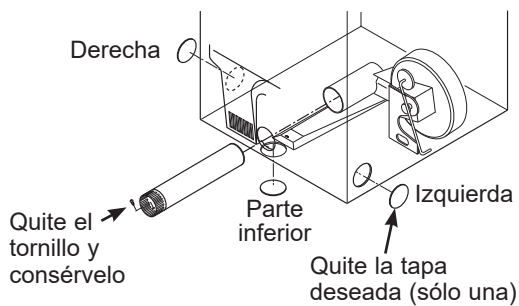
⚠ ADVERTENCIA - Riesgo de incendio

Desconecte la secadora del suministro eléctrico.

Use guantes y protectores para brazos.

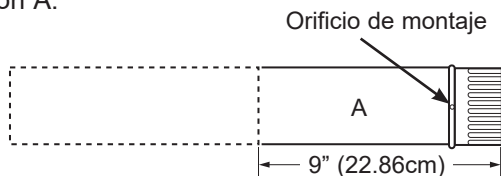
Cierre la abertura trasera con la placa protectora (Kit WE49X22606).

Si esto no se cumple, se podrá producir una incendio, descarga eléctrica o laceraciones.



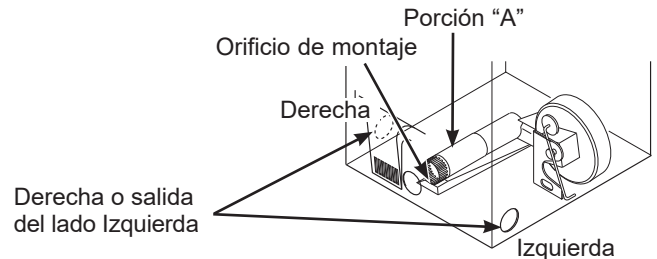
Despegue y quite la tapa derecha, izquierda o por la parte inferior según corresponda. Quite el tornillo ubicado dentro del conducto de salida de la secadora y consérvelo. Saque el conducto de la secadora.

Corte el conducto como puede verse y conserve la porción A.



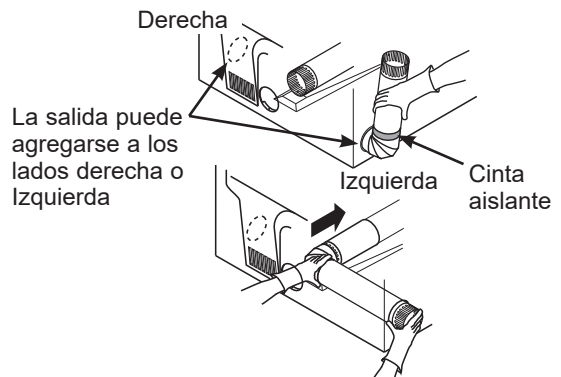
VENTILACIÓN LATERAL O POR LA PARTE INFERIOR (cont.)

CÓMO AGREGAR UN CONDUCTO NUEVO



Vuelva a conectar la porción cortada "A" del conducto a la caja del ventilador. Asegúrese de que el conducto más corto se encuentre alineado con la lengüeta de la base. Utilice el tornillo conservado con anterioridad para sujetar el conducto en su lugar a través de la lengüeta de la base del artefacto.

CÓMO AGREGAR CODOS Y CONDUCTOS DE SALIDA HACIA AL DERECHA O IZQUIERDA O DEL GABINETE



- Arme previamente un codo de 4" con un conducto de 4". Coloque cinta aislante alrededor de la junta.
- Introduzca el montaje del conducto, el codo primero, a través de la abertura lateral y conecte el codo al conducto interno de la secadora.

Asegúrese de no tirar o dañar los cables eléctricos ubicados dentro de la secadora cuando introduzca el conducto.

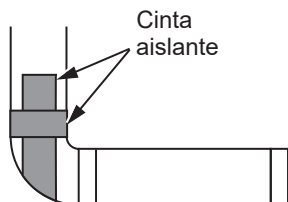
Instrucciones de instalación

SALIDA AL EXTERIOR DE LA SECADORA (cont.)

VENTILACIÓN LATERAL O POR LA PARTE INFERIOR (cont.)

CÓMO AGREGAR CODOS Y CONDUCTOS DE SALIDA HACIA LA IZQUIERDA O DERECHA DEL GABINETE (cont.)

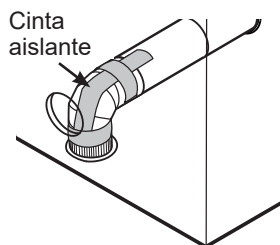
- Aplique cinta aislante como puede verse en la junta entre el conducto interno de la secadora y el codo, y también en la junta entre el codo y el conducto lateral.



Utilice sólo un conducto rígido de metal de un diámetro de 4" dentro del gabinete de la secadora. Las juntas del conducto interno deben sujetarse con cinta; caso contrario, pueden separarse y provocar un riesgo de seguridad.

CÓMO AGREGAR UN CODO DE SALIDA A TRAVÉS DE LA PARTE INFERIOR DEL GABINETE

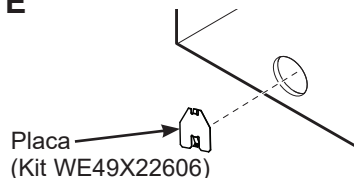
- Introduzca el codo a través de la abertura trasera y conéctelo al conducto interno de la secadora.
- Aplique cinta aislante como puede verse en la junta entre el conducto interno de la secadora y el codo, y también en la junta entre el codo y el conducto inferior.



Las juntas del conducto interno deben sujetarse con cinta; caso contrario, pueden separarse y provocar un riesgo de seguridad.

VENTILACIÓN LATERAL O POR LA PARTE INFERIOR (cont.)

CÓMO AGREGAR LA PLACA DE CUBIERTA A LA PARTE TRASERA DEL GABINETE



Conecte los codos y conductos de metal estándar para completar el sistema de salida. Cubra la abertura trasera con la cubierta (kit WE49X22606) que se puede comprar de GEApplianceparts.com o de un proveedor de servicios local. Coloque la secadora en su ubicación final.

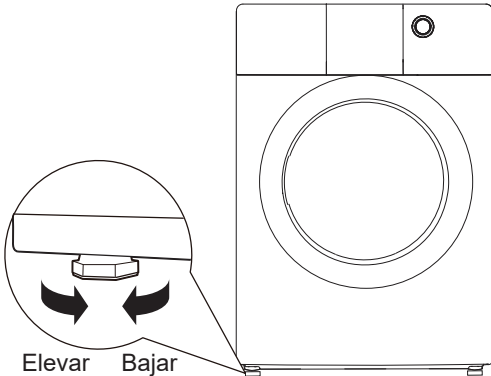
NUNCA DEJE LA ABERTURA TRASERA SIN LA PLACA EN SU LUGAR.

Instrucciones de instalación

CONFIGURACIÓN FINAL

1 NIVELE LA SECADORA

Coloque la secadora en posición vertical cerca de la ubicación definitiva y ajuste las cuatro patas niveladoras para garantizar que la secadora se encuentre nivelada de lado a lado y del frente a la parte trasera.



2 ENCHUFE LA SECADORA

NOTA: Las instalaciones apiladas podrán requerir un cable de corriente de hasta 6 pies de longitud.



3 INICIO DE LA SECADORA

Presione el botón **Power** (Encendido).

Power



NOTA: Si la secadora ha sido expuesta a temperaturas bajo cero por un período prolongado, deje que suba la temperatura antes de presionar **Power**. De otra manera, la pantalla no se encenderá. Su secadora ya está lista para usar.

⚠ ADVERTENCIA - Riesgo de Descarga Eléctrica

Desconecte el suministro de corriente antes de realizar el servicio técnico.

Reemplace todas las piezas y paneles antes de utilizar.

Si no cumple con esto, se podrá producir la muerte o descarga eléctrica.

Instrucciones de instalación

CÓMO APILAR LA LAVADORA Y LA SECADORA (si así lo desea)

Si planea apilar la lavadora y secadora, solicite el kit de apilado número **GFA24KITL** para usar con esta secadora. El kit se vende por separado.

ANTES DE COMENZAR

Lea estas instrucciones por completo y con detenimiento.

- **IMPORTANTE** – Guarde estas instrucciones para el uso de inspectores eléctricos locales.
- **IMPORTANTE** – Cumpla con todos los códigos y ordenanzas vigentes.
- **Nota al instalador** – Asegúrese de dejar estas instrucciones con el consumidor.
- **Nota al usuario** – Conserve estas instrucciones para referencia futura.
- La instalación **debe** efectuarla un instalador calificado.
- El instalador tiene la responsabilidad de efectuar una instalación adecuada.

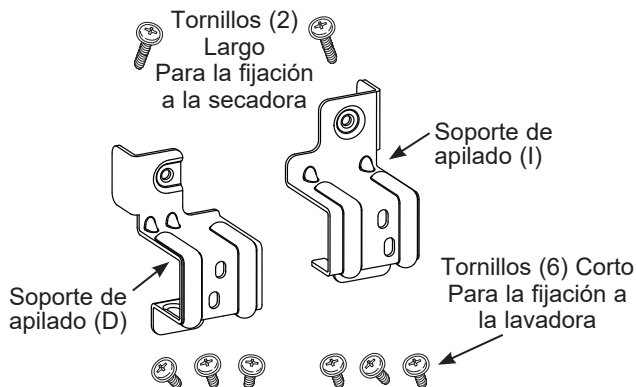
KIT DE APILADO GE APPLIANCES:

Ordene hoy a través de Internet en **GEAppliancesparts.com**, las 24 horas del día o en forma telefónica llamando al **800.626.2002**, durante el horario comercial habitual.

Número de Pieza Accesorio

GFA24KITL Kit Completo de Apilado

CONTENIDO DEL KIT (KIT DE GE APPLIANCES # GFA24KITL)



HERRAMIENTAS NECESARIAS

- Destornillador Phillips
 - Nivel
 - Guantes
- 

REQUERIMIENTOS PARA INSTALACIÓN EN NICHOS O ARMARIOS

⚠ ADVERTENCIA - Riesgo de explosión

Mantenga cualquier material y vapores inflamables, tales como gasolina, alejados de la secadora.

Coloque la secadora a por lo menos 18" (46 cm.) del piso cuando sea instalada en un garaje.

Si no se cumple con esto, se podrá producir una explosión, incendio o la muerte.

- Esta secadora **DEBE** tener una ventilación al exterior.
- El espacio libre mínimo entre el armario de la secadora y las paredes adyacentes u otras superficies es:
 - 1" sobre ambos lados
 - 3" sobre el frente y la parte trasera
 - 1" superior
- La parte posterior de la secadora debe mirar hacia una pared.
- Se deberá considerar que se debe brindar el despeje adecuado para la instalación y el servicio técnico.
- Las puertas del armario deben contar con rejillas u otro tipo de ventilación y tener por lo menos 60 pulgadas cuadradas de espacio abierto. Si el armario incluye una lavadora y una secadora, las puertas deben contener un mínimo de 120 pulgadas cuadradas de espacio abierto.

NOTA: CUANDO EL CONDUCTO DE SALIDA ESTÁ UBICADO EN LA PARTE TRASERA DE LA SECADORA, LA CONFIGURACIÓN DEL DUCTO PODRÍA REQUERIR DETRÁS UN CLARO MAYOR A 3 PULGADAS.

ESPACIO LIBRE MÍNIMO EN OTROS ESPACIOS QUE NO SEAN INSTALACIONES EN NICHOS O ARMARIOS

Los espacios libres mínimos respecto de superficies combustibles y de aberturas de aire son: 1" a ambos lados, 3" en la parte trasera y 1" superior.

La parte posterior de la secadora debe mirar hacia una pared.

Debe tenerse en cuenta un espacio libre adecuado para un funcionamiento y reparación correctos.

PREPARACIÓN INSTALACIÓN

Quite el envoltorio.

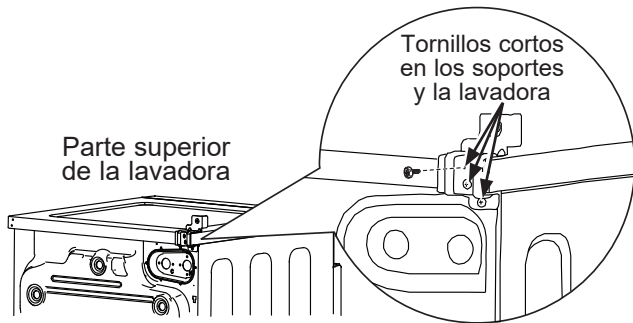
Aplaste el cartón del producto para poder utilizarlo para colocar la secadora de costado. Siga usando el cartón para proteger el piso frente al lugar de instalación.

Instrucciones de instalación

CÓMO INSTALAR EL KIT DE SOPORTE DE APILADO

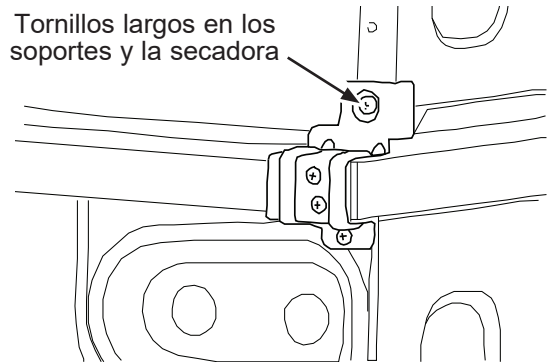
1 CÓMO INSTALAR EL SOPORTE EN LA LAVADORA

- A. Quite el tornillo de la tapa superior de la lavadora de la parte trasera izquierda. Alinee los orificios del soporte izquierdo con el orificio de tornillo de la tapa superior de la parte trasera izquierda de la unidad y coloque el tornillo. **NOTA:** Deje los tornillos flojos para facilitar la alineación del orificio de la secadora.
- B. Introduzca el tornillo siguiente a través del soporte dentro de la parte trasera de la lavadora.
- C. Repita los pasos anteriores en el lado derecho.



2 CÓMO INSTALAR LA SECADORA Y EL SOPORTE EN LA SECADORA (CONT.)

- B. Alinee los orificios del soporte con los orificios de la parte trasera de la secadora. Con un destornillador de estrella, sujete los 2 tornillos auto-roscantes #8 x 1/2".
- C. Ajuste los tornillos del soporte de la secadora; luego ajuste todos los tornillos del kit de apilado.



2 CÓMO INSTALAR LA SECADORA Y EL SOPORTE EN LA SECADORA

⚠ ADVERTENCIA Desconecte la energía antes de instalar. No hacerlo puede provocar una lesión personal grave o la muerte.

⚠ ADVERTENCIA  - Riesgo de peso excesivo

Si esto no se cumple, se podrán producir lesiones en la espalda u otras heridas o daños a la propiedad.

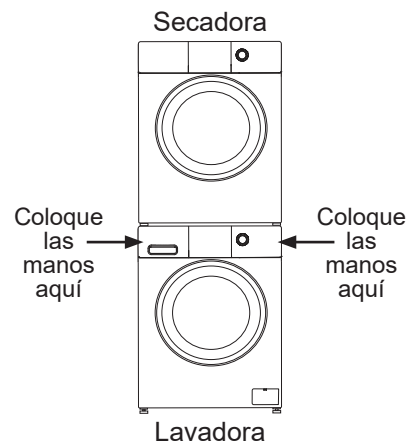
- Se deberá contar con dos o más personas para instalar la secadora.
- Evite la inclinación y ruptura de los servicios públicos.
- La secadora debe estar bien sujeta a la lavadora.
- **NO** coloque la lavadora sobre la secadora.

- A. Levante la secadora sobre la lavadora. Proteja el panel de control de la lavadora con cartón u otra protección. Asegúrese de levantar la secadora lo suficiente para liberar el panel de control de la lavadora.

3 FINALICE LA INSTALACIÓN

⚠ PRECAUCIÓN No empuje la secadora una vez que se haya instalado sobre la lavadora. Si empuja la secadora puede pellizcarse los dedos.

- A. Consulte las Instrucciones de instalación de la lavadora para completar la instalación de la lavadora.
- B. Consulte las Instrucciones de instalación de la secadora para completar la instalación de la secadora.
- C. Con cuidado deslice o desplace la lavadora y secadora apiladas a su lugar. Utilice almohadillas u otro dispositivo para ayudar a deslizar los artefactos y para proteger el piso.



Instrucciones de instalación

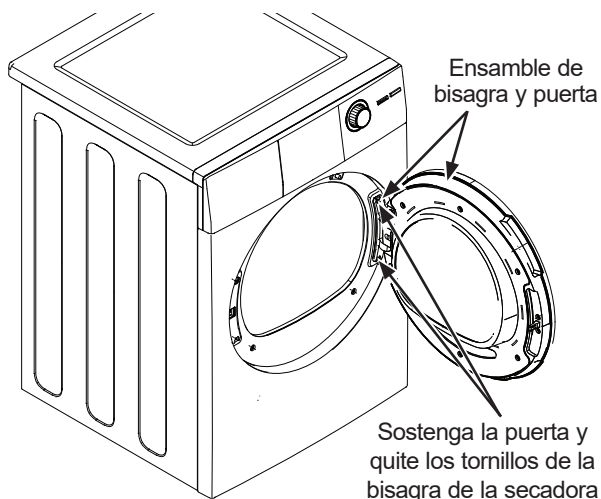
CÓMO INVERTIR LA APERTURA DE LA PUERTA (Opcional)

NOTAS IMPORTANTES

- Antes de comenzar, desenchufe la secadora del tomacorriente.
- Manipule las piezas con cuidado para no rayar la pintura.
- Coloque las puertas sobre una superficie de trabajo que no raye.
- Herramientas necesarias: Destornillador Phillips.
- Una vez que haya comenzado, no mueva el gabinete hasta haber finalizado la inversión de la apertura de la puerta.
- Estas instrucciones son para cambiar las bisagras del lado derecho al lado izquierdo; si alguna vez desea cambiarlas de nuevo al lado derecho, siga las mismas instrucciones e invierta todas las referencias de izquierda a derecha.

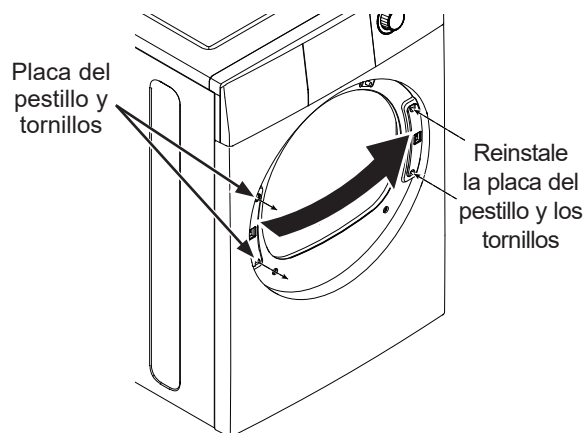
1 RETIRE EL ENSAMBLE DE LA PUERTA

- Abra la puerta. Retire los dos tornillos que sujetan el ensamble de bisagra / puerta a la secadora. Con cuidado, aparte el conjunto de bisagra / puerta.



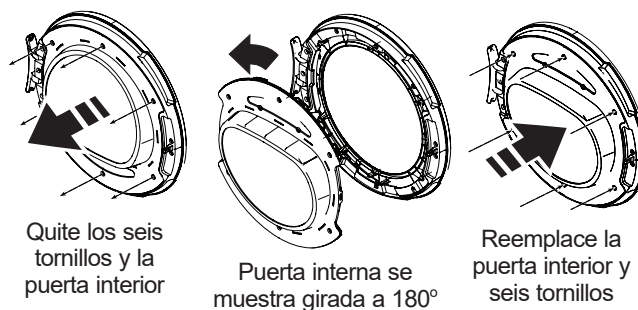
2 quite, gire y reemplace la placa del pestillo

- Retire los dos tornillos que sujetan la placa del pestillo. Gírelo e instálelo en el lado opuesto.



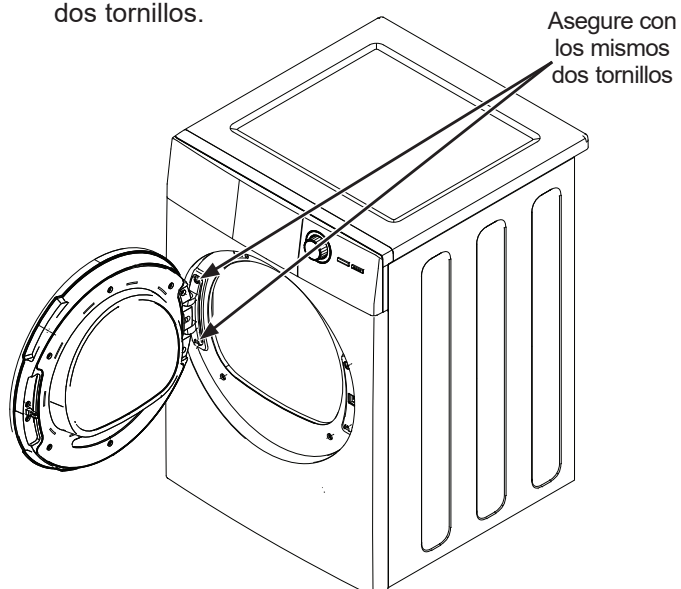
3 quite, gire y reemplace la puerta interior

- Retire los seis tornillos que aseguran la puerta interior a la puerta exterior. Retire la puerta interior, gírela 180° y vuelva a instalarla en la puerta exterior utilizando los mismos seis tornillos.



4 GIRE Y REEMPLACE EL ENSAMBLAJE DE BISAGRA / PUERTA

- Gire y vuelva a colocar el ensamble de bisagra / puerta, en el lado opuesto, utilizando los mismos dos tornillos.



Notas

Consejos para la solución de problemas

Problema	Causas posibles	Solución
La secadora se mueve o hace ruido	El movimiento/ruido es normal. La secadora puede estar colocada en un lugar desnivelado	Desplace la secadora a un lugar nivelado, o ajuste las patas niveladoras según sea necesario.
Las prendas tardan mucho en secarse	Conducto inadecuado u obstruido	Controle las Instrucciones de instalación para verificar que la ventilación de la secadora sea la correcta. Verifique que el conducto se encuentre limpio, libre de abolladuras y sin obstrucciones. Controle que el regulador de tiro externo de pared funcione bien.
	Clasificación inadecuada	Separe prendas pesadas de livianas (generalmente, una carga bien clasificada para la lavadora es una carga bien clasificada para la secadora).
	Cargas grandes de telas pesadas (como toallas de playa)	Separe prendas pesadas de livianas (generalmente, una carga bien clasificada para la lavadora es una carga bien clasificada para la secadora).
	Los controles están mal configurados	Ajuste las configuraciones de control a la carga que esté secando.
	El filtro de pelusas está lleno	Limpie el filtro de pelusas antes de cada carga.
	Fusible quemado o disyuntor accionado	Cambie los fusibles o reconfigure los disyuntores. Ya que la mayoría de las secadoras utilizan 2 fusibles/disyuntores, asegúrese de que ambos estén funcionando.
	Carga excesiva/cargas combinadas	No coloque más de una carga en la secadora por vez.
	Poca carga	Si va secar sólo una o dos prendas, agregue algunas más para asegurar un secado correcto.
Se ha seleccionado el nivel de secado Dry (Seco) pero la carga aún se encuentra húmeda	La carga consiste de una combinación de telas pesadas y livianas	Cuando combine telas pesadas con livianas en una carga, escoja More Dry (Más seco).
	El filtro de pelusas es bloqueado	Inspeccione y limpie el filtro de pelusas.
	El Sensor de Secado está sucio	Limpie el sensor con una tela húmeda.
Las teclas de control	Los controles se accionaron accidentalmente en el modo de servicio	Presione Start/Pause (Inicio/Pausa).
	Los controles se accionaron operation accidentalmente en el modo de de bloqueo	Sostenga el botón Lock Control (bloqueo de control) durante 3 segundos para desbloquear la secadora.
	Los controles efectuaron una operación incorrecta	Reconfigure el disyuntor.
La secadora no se enciende	El panel de control está "dormido"	Esto es normal. Presione Power (encendido) para activar el panel de control.
	La secadora está desenchufada	Verifique que el enchufe de la secadora esté bien colocado en el tomacorriente.
	Fusible quemado/disyuntor accionado	Verifique la caja de fusibles/disyuntor del edificio y cambie el fusible o reconfigure el disyuntor. NOTA: Las secadoras eléctricas utilizan dos fusibles o disyuntores.
	La secadora se puso en pausa accidentalmente cuando se iniciaba Delay Dry (Secado retardado)	Si la luz del botón Start/Pause (Inicio/Pausa) destella, la secadora se encuentra en pausa. Presione Start/Pause (Inicio/Pausa) para volver a iniciar la cuenta regresiva.

Consejos para la solución de problemas

Problema	Causas posibles	Solución
No aparecen números en la pantalla durante el ciclo, sólo luces	La secadora monitorea constantemente la cantidad de humedad en la ropa	Esto es normal. Cuando la secadora detecta un nivel bajo de humedad en la carga, la secadora mostrará el tiempo restante de secado.
El tiempo restante ha saltado a un número inferior	El tiempo estimado podría cambiar si seca una carga menor a la normal	Esto es normal.
No puede realizar una selección y la secadora activa la alarma sonora dos veces	El Level (nivel de secado), Temp (temperatura) o la opción que intenta seleccionar es incompatible con el ciclo de secado que ha escogido.	Esto es normal.
La secadora se encuentra funcionando, pero el tiempo restante muestra 00	Se ha escogido la opción Ext Tumble (Prolongar secado)	Esto es normal. Durante el secado prolongado, no se muestra el tiempo restante. La opción de secado prolongado tarda 60 minutos aproximadamente.
Mensaje "Clean Filter" (Limpie filtro de pelusa)	Se activó el botón Power (Encendido/Apagado)	Presione Start/Pause (Inicio/Pausa) para iniciar un ciclo de secado y desaparecerá el mensaje.
La secadora no calienta	Fusible quemado/disyuntor desconectado; es posible que la secadora gire sin calentar	Revise la caja de fusibles/disyuntores y reemplace ambos fusibles y reconecte ambos disyuntores. Es posible que la secadora gire si únicamente un fusible se ha quemado o un solo disyuntor ha saltado.
Plazos de secado inconsistentes	Tipo de carga y condiciones de secado	El tamaño de la carga, el tipo de tela, cuán mojada que esté la ropa y la condición del filtro de pelusas y/o la ventilación de entrada de aire ubicada en el frente de la secadora afectarán los tiempos del secado.
	Tipo de carga y condiciones de secado	El tamaño de la carga, tipos de telas, humedad de la ropa y longitud y condición del sistema de escape afectará los tiempos de secado.
Brillo en la parte trasera del tambor	Calentadores detrás del tambor	Esto es normal. En ciertas condiciones de secado e iluminación ambiente, el brillo de los calentadores puede verse en la parte trasera del tambor.
Las prendas aún se encuentran húmedas y la secadora se apaga después de un tiempo corto	Se abrió la puerta a la mitad del ciclo. Luego se procedió a retirar la carga de la secadora y se colocó una carga nueva sin seleccionar un ciclo nuevo	Se debe volver a seleccionar un ciclo de secado cada vez que se coloca una carga nueva.
	Carga pequeña	Cuando seque 3 o menos prendas, escoja Quick Dry (Secado rápido) o Time Dry (Secado cronometrado).
	La carga ya se encontraba seca a excepción de los cuellos y pretinas	Escoja Quick Dry (Secado rápido) o Time Dry (Secado cronometrado) para secar los cuellos y pretinas que estén húmedos. En el futuro, al secar una carga que contenga cuellos y pretinas, escoja More Dry (Más seco).
	La secadora no está nivelada	Mueva la secadora a un área con piso nivelado o ajuste las patas niveladoras como sea necesario hasta que se encuentre nivelada.
Las prendas están arrugadas	Sobresecado	Seleccione un plazo de secado más breve. Retire las prendas mientras están húmedas. Programe el ajuste a Less Dry (Menos seco) o Damp (Secado húmedo).
	Las prendas permanecen en la secadora después que ha terminado el ciclo	Retire las prendas cuando finaliza el ciclo y doble o cuélguelas inmediatamente, o utilice la opción Ext Tumble (Secado prolongado).
	Sobrecarga	Separe las cargas más grandes en más pequeñas.

Consejos para la solución de problemas

Problema	Causas posibles	Solución
Las prendas se encogen	Algunas telas se encogen de manera natural cuando se lavan. Otras pueden lavarse sin problemas, pero se encogerán en la secadora	Para evitar encoger las prendas, siga las instrucciones de las etiquetas exactamente. Algunas prendas pueden plancharse nuevamente a su forma original después de secarlas. Si tiene dudas sobre si una prenda en particular encogerá, no la lave a máquina ni la seque con giro.
Manchas de grasa en la ropa	Uso inapropiado de suavizador de telas	Siga las direcciones en el envase del suavizador de telas.
	Secado de artículos sucios con limpios	Utilice su secadora para secar únicamente artículos limpios. Los artículos sucios pueden manchar los artículos limpios y la secadora.
	Las prendas no están completamente limpias	Algunas manchas que no se pueden ver cuando las prendas están mojadas aparecen después del secado. Utilice procedimientos apropiados de lavado antes del secado.
Pelusa en las prendas	El filtro de pelusa está lleno	Limpie el filtro antes de cada carga.
	Clasificación incorrecta	Clasifique las prendas que producen pelusa (como felpilla) de las prendas que juntan pelusa (como la pana).
	La electricidad estática puede atraer pelusa	Consulte las sugerencias en esta sección bajo Ocurre estática
	Sobrecarga	Separe las cargas más grandes en menor tamaño.
	Papel, servilletas, etc., quedan dentro de los bolsillos de la ropa	Vacíe todos los bolsillos antes de lavar la ropa.
Ocurre estática	No se utilizó ningún tipo de suavizador de telas	Intente utilizar un suavizador de telas. Bounce® Fabric Conditioner Dryer Sheets ha sido aprobado para ser usado con todas las Secadoras GE Appliances y cuando se usen de acuerdo con las instrucciones del fabricante.
	Sobresecado	Intente utilizar un suavizador de telas. Programa el ajuste a Less Dry (Menos seco) o Damp (Secado húmedo).
	Artículos sintéticos, planchado permanente y combinaciones pueden causar estática	Intente utilizar un suavizador de telas.
Los cuellos y pretinas aún se encuentran húmedos al final del ciclo	El monitor de sequedad detecta que el cuerpo de las prendas está seco	Escoja Quick Dry (Secado rápido) o Time Dry (Secado cronometrado) para secar dejando húmedos los cuellos y pretinas. En el futuro, cuando seque una carga con cuellos y pretinas, escoja More Dry (Más seco).
Pequeña variación del color metálico.	Esto es normal.	Debido a las propiedades metálicas de la pintura utilizada con este producto único, pueden ocurrir pequeñas variaciones de color debido ángulos de visualización y condiciones de iluminación.
La secadora sigue girando después de que la pantalla indica Complete (finalización)	Se seleccionó Ext Tumble el secado prolongado.	Asegúrese de que Ext Tumble la opción de secado prolongado no esté seleccionada.

Garantía limitada de la secadora GE Appliances

GEAppliances.com

Todo el servicio de garantía es provisto por nuestros Centros de Servicio de Fabricación, o un técnico autorizado de Servicio al Cliente (Customer Care®). Para programar una visita del servicio técnico, visítenos a través de Internet en GEAppliances.com/service, o llame GE Appliances al 800.GE.CARES (800.432.2737). Cuando llame para solicitar el servicio, tenga los números de serie y modelo disponibles.

Para realizar el servicio técnico de su electrodoméstico se podrá requerir el uso de datos del puerto de abordaje para su diagnóstico. Esto da al técnico del Servicio de Fábrica de GE Appliances la habilidad de diagnosticar de forma rápida cualquier problema con su electrodoméstico, y de ayudar a GE Appliances a mejorar sus productos al brindarle a GE Appliances la información sobre su electrodoméstico. Si no desea que los datos de su electrodoméstico sean enviados a GE Appliances, solicitamos que le indique a su técnico NO entregar los datos a GE Appliances en el momento del servicio.

Por el Período de:	Se sustituirá:
Un Año Desde la fecha de compra original	Cualquier pieza de la secadora que falle debido a un defecto de los materiales o la mano de obra. Durante esta garantía limitada de un año , también ofrecemos, en forma gratuita , toda la mano de obra y los costos de servicio para reemplazar la pieza defectuosa.

Qué No Cubrirá GE Appliances:

- Viajes del personal de servicio a su casa para enseñarle cómo usar su producto.
- Instalación, entrega o mantenimiento inapropiada.
- Fallas del producto si es maltratado, mal usado, o usado para un propósito diferente del que se creó o si es usado para usos comerciales.
- Cambio de los fusibles de su casa o reajuste del circuito de interruptores.
- Productos sin defectos o rotos, o los cuales se encuentran funcionando como se indica en el Manual del propietario.
- Daños al producto causados por accidentes, incendios, inundaciones o actos de la naturaleza.
- Daños imprevistos resultantes causados por posibles defectos con este electrodoméstico.
- Defectos o daños debido a la puesta en funcionamiento a temperaturas de congelación.
- Daños causados después del envío.
- Producto no accesible para facilitar el servicio requerido.

EXCLUSIÓN DE GARANTÍAS IMPLÍCITAS

Su única y exclusiva alternativa es la reparación del producto, como se indica en la Garantía Limitada. Las garantías implícitas, incluyendo garantías implícitas de comerciabilidad o conveniencia sobre un propósito particular, se limitan a un año o al período más corto permitido por la ley.

Esta garantía limitada se extiende al comprador original y a cualquier propietario subsecuente para productos comprados para uso doméstico dentro Estados Unidos. Si el producto está situado en un área que no dispone de servicio por parte de un proveedor de servicio autorizado de GE Appliances, podría tener que hacerse cargo de los costes de envío o bien podría solicitársele que lleve el producto a un centro de servicio de GE Appliances autorizado para realizar la reparación. En Alaska, la garantía limitada excluye el costo de envío o las visitas de servicio a su casa.

Algunos estados no permiten la exclusión o limitación de daños imprevistos. Esta garantía limitada le da sus derechos legales específicos, y es posible que usted tenga otros derechos legales que varían de estado a estado. Para informarse de cuáles son sus derechos legales, consulte a su oficina de asuntos del consumidor local o estatal o póngase en contacto con la Oficina de su Procurador General.

Garante: GE Appliances, a Haier Company
Louisville, KY 40225

Garantías Extendidas: Adquiera una garantía extendida de GE Appliances y conozca los descuentos especiales que están disponibles mientras su garantía aún está vigente. Puede acceder a la misma a través de Internet en cualquier momento en

GEAppliances.com/extended-warranty

o llamando al 800.626.2224 durante el horario comercial. Los Servicios para los GE Appliances aún estarán disponibles cuando su garantía caduque.

GARANTÍA LIMITADA

Abroche su recibo aquí. Para acceder al servicio técnico de acuerdo con la garantía deberá contar con la prueba de la fecha original de compra.

Soporte para el Consumidor

Sitio Web de GE Appliances

¿Desea realizar una consulta o necesita ayuda con su electrodoméstico? ¡Intente a través del Sitio Web de GE Appliances las 24 horas del día, cualquier día del año! Usted también puede comprar más electrodomésticos maravillosos de GE Appliances y aprovechar todos nuestros servicios de soporte a través de Internet, diseñados para su conveniencia. GEAppliances.com.

Registre su Electrodoméstico

¡Registre su electrodoméstico nuevo a través de Internet, según su conveniencia! Un registro puntual de su producto permitirá una mejor comunicación y un servicio más puntual de acuerdo con los términos de su garantía, en caso de surgir la necesidad. También puede enviar una carta en la tarjeta de inscripción preimpresa que se incluye con el material embalado. GEAppliances.com/register.

Servicio Programado

El servicio de reparación de expertos de GE Appliances está a sólo un paso de su puerta. Conéctese a través de Internet y programe su servicio a su conveniencia cualquier día del año.

GEAppliances.com/service

o comuníquese al 800.432.2737 durante el horario de atención comercial.

Garantías Extendidas

Adquiera una garantía extendida de GE Appliances y conozca los descuentos especiales que están disponibles mientras su garantía aún está vigente. La puede adquirir en cualquier momento a través de Internet. Los servicios de GE Appliances aún estarán allí cuando su garantía caduque.

GEAppliances.com/extended-warranty

o comuníquese al 800.626.2224 durante el horario de atención comercial.

Conectividad Remota

Para solicitar asistencia para la conectividad de red inalámbrica (para modelos con acceso remoto), visite nuestro sitio web en GEAppliances.com/connected-home-smart-appliances/ o comuníquese al 800.220.6899.

Piezas y Accesorios

Aquellos individuos calificados para realizar el servicio técnico de sus propios electrodomésticos podrán solicitar el envío de piezas o accesorios directamente a sus hogares (se aceptan las tarjetas VISA, MasterCard y Discover). Ordene hoy a través de Internet durante las 24 horas, todos los días. GEApplianceparts.com o de forma telefónica al 877.959.8688 durante el horario de atención comercial.

Las instrucciones que figuran en este manual cubren los procedimientos que serán realizados por cualquier usuario. Otros servicios técnicos generalmente deben ser derivados a personal calificado del servicio. Se deberá tener cuidado, ya que una reparación indebida podrá hacer que el funcionamiento no sea seguro.

Contáctenos

Si no se encuentra satisfecho con el servicio que recibió de GE Appliances, comuníquese con nosotros a través de nuestro sitio Web con todos los detalles, incluyendo su número telefónico, o escriba a:

General Manager, Customer Relations | GE Appliances, Appliance Park | Louisville, KY 40225

GEAppliances.com/contact.