



# Dryers

**Safety Instructions**..... 2-3

**Operating Instructions** .. 4-11

Control Panels ..... 5-7

Dryer Features..... 8

Loading and Using the Dryer..... 10

Venting the Dryer ..... 11

**Troubleshooting Tips** ... 12, 13

**Consumer Support**

Consumer Support ..... 16

Warranty ..... 15

**Owner's Manual**

ENGLISH/FRANÇAIS

Write the model and serial number here:

Model # \_\_\_\_\_

Serial # \_\_\_\_\_

You can find them on a label on the front of the dryer behind the door.



**234D2431P004**

29-6016-3 06-17 GEA Printed in Mexico

# IMPORTANT SAFETY INFORMATION. READ ALL INSTRUCTIONS BEFORE USING.

## IMPORTANT SAFETY INSTRUCTIONS



### WARNING

To reduce the risk of fire, explosion, electric shock, or injury to persons when using your appliance, follow basic precautions, including the following:

- Read all instructions before using the appliance.
- **DO NOT** dry articles that have been previously cleaned in, washed in, soaked in or spotted with gasoline, dry-cleaning solvents, or other flammable or explosive substances, as they give off vapors that could ignite or explode.
- **DO NOT** place items exposed to cooking oils in your dryer. Items contaminated with cooking oils may contribute to a chemical reaction that could cause a load to catch fire.
- **DO NOT** allow children to play on or in this appliance. Close supervision of children is necessary when this appliance is used near children.
- Before the appliance is removed from service or discarded, remove the door to the drying compartment.
- **DO NOT** reach into the appliance if the drum is moving.
- **DO NOT** install or store this appliance where it will be exposed to the weather.
- **DO NOT** tamper with controls,
- **DO NOT** repair or replace any part of this appliance or attempt any servicing unless specifically recommended in the user maintenance instructions or in published user repair instructions that you understand and have the skills to carry out.
- **DO NOT** use fabric softeners or products to eliminate static unless recommended by the manufacturer of the fabric softener or product.
- **DO NOT** dry articles containing foam rubber or similarly textured rubber-like materials
- Clean lint screen before or after each load.
- **DO NOT** operate the dryer without the lint filter in place.
- **DO NOT** store combustible materials, gasoline or other flammable liquids near the dryer. Keep area around the exhaust opening and adjacent surrounding areas free from the accumulation of lint, dust and dirt.
- The interior of the appliance and exhaust duct should be cleaned periodically by qualified service personnel
- Unplug the appliance or turn off the circuit breaker before servicing. Pressing the **Power** or **Start/Pause** button **DOES NOT** disconnect power.
- **DO NOT** operate this appliance if it is damaged, malfunctioning, partially disassembled, or has missing or broken parts, including a damaged cord or plug.
- **DO NOT** spray any type of aerosol into, on or near dryer at any time **DO NOT** use any type of spray cleaner when cleaning dryer interior. Hazardous fumes or electrical shock could occur.
- See "Electrical Connection" located in the Installation Instructions for grounding instructions.

## SAVE THESE INSTRUCTIONS


## ADDITIONAL GAS DRYER WARNINGS

### **WARNING** - Fire or Explosion Hazard

Failure to follow safety warnings exactly could result in serious injury, death, or property damage.

- **DO NOT** store or use gasoline or other flammable vapors and liquids in the vicinity of this or any other appliance.
- **WHAT TO DO IF YOU SMELL GAS:**
  - **DO NOT** try to light any appliance.
  - **DO NOT** touch any electrical switch; **DO NOT** use any phone in your building.
  - Clear the room, building, or area of any occupants.
  - Immediately call your gas supplier from a neighbor's phone. Follow the gas supplier's instructions.
  - If you cannot reach your gas supplier, call the fire department.
- Installation and service must be performed by a qualified installer, service agency, or the gas supplier.

### *State of California Proposition 65 Warnings:*

 **WARNING** This product contains one or more chemicals known to the State of California to cause cancer, birth defects or other reproductive harm.

Gas appliances can cause low-level exposure to some of these substances, including benzene, carbon monoxide, formaldehyde and soot, caused primarily by the incomplete combustion of natural gas or LP fuels. Exposure to these substances can be minimized by properly venting the dryer to the outdoors.

**SAVE THESE INSTRUCTIONS**

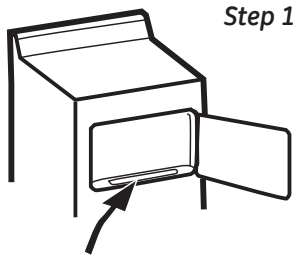
# Operating instructions



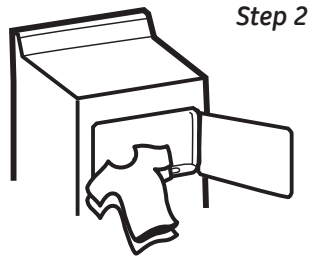
**WARNING** To reduce the risk of fire, electric shock, or injury to persons, read the IMPORTANT SAFETY INSTRUCTIONS before operating this appliance.

Throughout this manual, features and appearance may vary from your model

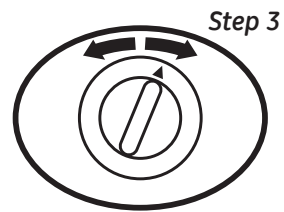
## Quick Start Guide



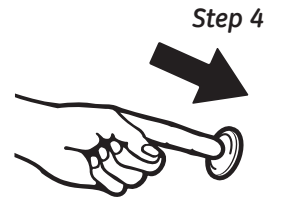
- Clean lint filter



- Add clothes
- Shut door

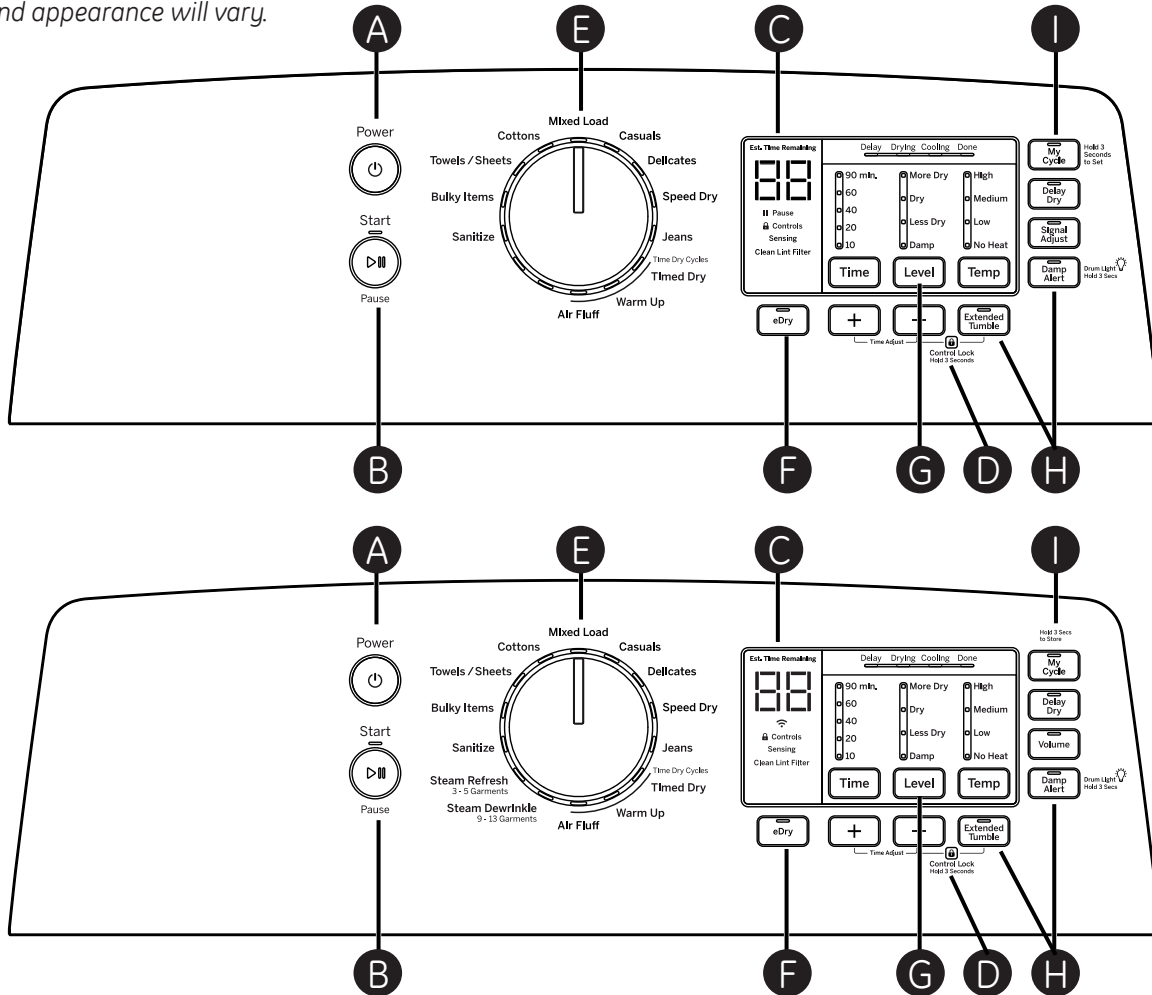


- Select drying cycle



- Push Start

Features and appearance will vary.



- A Power**  
Press to “wake up” the display. If the display is active, press to put the dryer into idle mode.  
**NOTE:** Pressing **Power** does not disconnect the appliance from the power supply.
- B Start and Pause**  
Press **Start** to begin the cycle. **NOTE:** The door must be closed for the dryer to start the cycle. Pressing **Start** again will pause the cycle, the **Start** light will blink and “**Pause**” will display.  
To continue the cycle, press **Start** again.
- C Display and Status Lights**  
The display shows the approximate time remaining until the end of the cycle.  
**In addition, this display will show the dryer status:**
  - **Pause** (on some models) The **Start/Pause** light will flash and the message “**Pause**” will show in the display when the dryer’s cycle is paused. The cycle may be re-started by pressing the **Start** button.
  - **WiFi** (on some models) Will allow your appliance to communicate with your smartphone for remote appliance monitoring control and notifications.
  - **Controls** The dryer is locked - will blink once if you press any button or turn the cycle knob
  - **Sensing** Indicates the dryer is sensing the level of dampness to determine estimated cycle time remaining
  - **Clean Lint Filter** The **Clean Lint Filter** light will stay on for 15 seconds after the cycle stops.
- D Control Lock** You can lock the controls to prevent any selections from being made. Or you can lock the controls after you have started a cycle. Children cannot accidentally start the dryer by touching buttons with this option selected.  
**To lock/unlock the dryer controls**, press and hold the **Extended Tumble** and - (minus) buttons for 3 seconds. The control lock icon will flash while locking/unlocking, stay on when locked, and turn off when unlocked.  
**NOTE:** The **Power** button can still be used when the machine is locked.

# Operating instructions

**E** **Drying Cycles** - Sensor cycles automatically determine fabric dryness. Timed cycles run for the selected time.

**Steam Dewrinkle** (on some models) For use with larger loads than **Steam Refresh**. Ideal for loads left in the dryer for an extended time. **Steam Dewrinkle is recommended for 9-13 garments**

**NOTE:** Steam cycles are not intended for use with towels.

**Important - the temperature setting must be set to HIGH and water must be turned on before running the Steam Refresh cycle.**

**Steam Refresh** (on some models) For slightly wrinkled dry garments. Significantly reduces wrinkles. After the **Steam Refresh** cycle, the unit will beep (if Signal is selected) and display "00."

**Steam Refresh is recommended for 3-5 garments**

**NOTE:** Steam cycles are not intended for use with towels.

**NOTE:** A single extremely light fabric item may need to have an additional item included in the **Steam Refresh** cycle to achieve optimum results.

**Important - the temperature setting must be set to HIGH and water must be turned on before running the Steam Refresh cycle.**

**Sanitize or Anti-Bacterial** (depending on model) This option reduces certain types of bacteria including: Staphylococcus aureus, Pseudomonas aeruginosa and Klebsiella pneumoniae. The anti-bacterial process occurs when high heat is used during a portion of the drying cycle.

**NOTE:** Do not use this cycle on delicate fabrics.

**Bulky Items** For large coats, bed spreads, mattress covers, sleeping bags, and similar large/bulky items such as blankets, comforters, jackets, and small ruga.

**Towels/Sheets** For most towels and linens.

**Cottons** For cottons and most linens.

**Mixed Load** For loads consisting of cottons and poly-blends.

**Casuals** For wrinkle-free, permanent press, delicate items and knits.

**Delicates** For delicate items, special-care fabrics and knits.

**Speed Dry** For small loads that are needed in a hurry, such as sport or school uniforms. Can also be used if the previous cycle left some items damp, such as collars or waistbands. **NOTE:** On some models, the time remaining in the cycle will show counting down in the display.

**Jeans** For jeans.

**Timed Dry** Set the Cycle Selector at the desired drying time.

**Warm Up** Provides 10 minutes of warming time to warm up clothes.

**Air Fluff** Provides 10 minutes of tumbling time with no heat.

**F** **eDry**

Available for **Bulky Items, Towels/Sheets, Cottons, Mixed Load, Jeans, Casuals** and **Delicates**. When the **eDry** button is pressed, cycle settings change to reduce the total energy consumption of the selected sensor cycle. **NOTE:** Cycle times will change when **eDry** is selected.

## G Settings

Individual settings for cycle minutes (**Time**), dryness level (**Level**) and temperature (**Temp**) can be set from the minimum (lowest in column) to maximum (highest in column). In general, the higher up the column, the more energy will be used. **NOTE:** The selected cycle set **Time** can be further adjusted, in one minute increments, by pressing the **Time Adjust +** (plus) and - (minus) buttons.

**Dryness Level-Selection only used for Sensor cycles. Timed cycles run for the selected time.**

<b>More Dry</b>	Use for heavy-duty or mixed type fabrics
<b>Dry</b>	Use for a normal dryness level suitable for most loads. This is the preferred cycle for energy savings
<b>Less Dry</b>	Use for lighter fabrics.
<b>Damp</b>	For leaving items partially damp.

### Temperature

<b>High</b>	For regular to heavy cottons. <b>NOTE: Steam Dewrinkle and Steam Refresh</b> require the High temperature setting.
<b>Medium</b>	For synthetics, blends, delicates and items labeled permanent press
<b>Low</b>	For delicates, synthetics and items labeled <i>tumble dry low</i> .
<b>No Heat</b>	For fluffing items without heat. For use only with the <b>Air Fluff</b> cycle.

## H Extended Tumble

Use this option to minimize the wrinkles in clothes. It provides 1 hour of no-heat tumbling after the clothes are dry. If you are using the cycle **Signal Adjust or Volume** and you select the **Extended Tumble** option, a signal will sound at the end of the drying time and several times during the **Extended Tumble** cycle. This will remind you that it is time to remove the clothes.

### Damp Alert

This option causes the dryer to beep when clothes have dried to a damp level. Remove items that you wish to hang dry. The **Damp Alert** will only beep when this option is selected (but the dry cycle will keep running). Removing clothes and hanging them when they are damp, can reduce the need to iron some items. The light beside the button will be lit when **Damp Alert** is on.

### Drum Light

The drum light will turn on if the **Damp Alert** button is pressed for 3 seconds or the door is opened. It will turn off when the door is shut, the **Damp Alert** button is pressed again for 3 seconds or after 5 minutes if the door is left open.

### Delay Dry

Press the **Delay Dry** button to set the delay start time in 1 hour increments up to 24 hours, and then back to clear (0 hours). After selecting the delay start time, press **Start** and the delay time will count down the time remaining until the cycle starts. **NOTE:** To set the amount of delay time faster, you can press and hold the **Delay Dry** button.

### Delay Dry for WiFi Connected Dryers

For more information see the **Appliance Communication** section.

You have two options to set **Delay Dry** using your smartphone:

**Option 1:** Follow **Delay Dry** instructions. You can use the **GE Appliances Laundry App** to adjust the amount of time via your smartphone.

**Option 2:** Set your dryer to "AP" using the **Delay Dry** button. This allows you to use the **GE Appliances Laundry App** via your smartphone to start your dryer remotely at the time of your choosing. If the dryer is set to AP with no activity, it will start the dryer 24 hours later.

### Signal Adjust or Volume (depending on model)

Use the **Signal Adjust or Volume** button to change the volume of the button presses and the end of cycle signal. Press the button until you reach the desired volume or off. The clothes should be removed when the end of cycle signal goes off so wrinkles do not set in.

#### NOTE:

- Remove garments promptly at the sound of signal. Place clothes on hangers so wrinkles will not set in.
- Use the **Signal Adjust or Volume** especially when drying fabrics like polyester, knits and permanent press. These fabrics should be removed so wrinkles will not set in.

## I My Cycle

As the cycle selector knob is turned, the **Time** (timed dry), **Level** (dryness level) and **Temp** (temperature) settings change to automatic pre-set default settings. If you desire a different setting, press the appropriate button(s). Then press and hold the **My Cycle** button for 3 seconds and the dryer will "remember" these settings for that Knob Selection. In the future, when you turn the selector knob to that cycle, your settings will be automatically recalled. **NOTE:** Signal volume cannot be set for **My Cycle**.

## About the dryer features.

---

### Sensor Dry

#### Sensor Dry

This feature is active in all cycles except **Timed Dry**, **Warm Up** and **Air Fluff**.

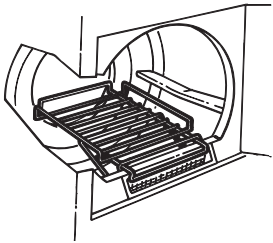
The **Sensor Dry** provides greater drying accuracy than standard machines, resulting in shorter dry times and better clothes care. As the clothes tumble, they touch a moisture sensor. The sensor will stop the heating cycle as soon as the clothes have reached the selected dryness.

This dryer will adjust the initial estimated drying time of the sensor dry cycles as it “learns” its installation and usage profile. Please allow several weeks for the dryer to customize itself to “you”.

---

#### Drum Light

The drum light is an LED light. Replacement must be done by a qualified technician.



#### Drying Rack (on some models)

A handy drying rack may be used for drying delicate items such as washable sweaters.

Hook the rack over the lint filter so the rack extends into the dryer drum.

#### NOTE:

- The drying rack must be used with the **Timed Cycle**.
- Do not use this drying rack when there are other clothes in the dryer.

If your model did not come with a drying rack, order one on-line at [GEApplianceparts.ca](http://GEApplianceparts.ca) today, 24 hours a day or by phone at **800.661.1616** during normal business hours.

**Part Number**  
WE01X25160

**Accessory**  
Drying Rack

---

#### Alloy Steel Drum (on some models)

The alloy steel used to make the dryer drum provides the highest reliability available in a GE dryer.

If the dryer drum should be scratched or dented during normal use, the drum will not rust or corrode. These surface blemishes will not affect the function .



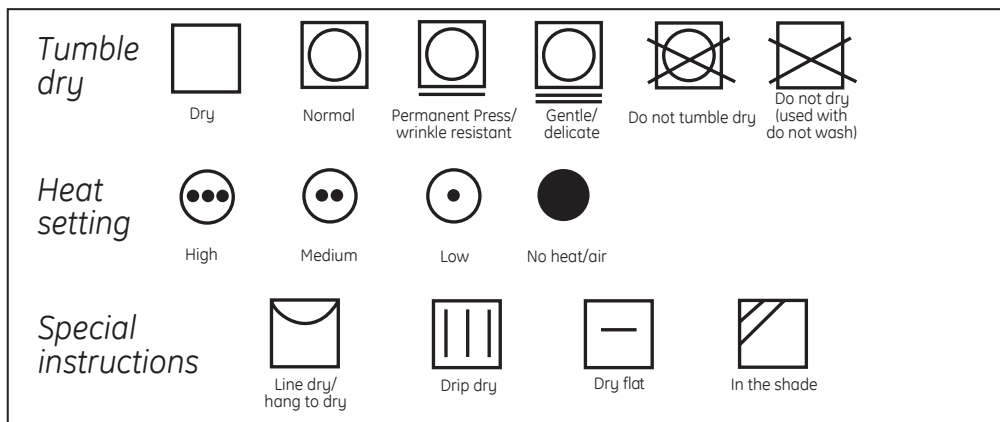
# About loading and using the dryer.

Always follow the fabric manufacturer's care label when laundering.

## Fabric Care Labels


Below are fabric care label "symbols" that affect the clothing you will be laundering.

### Dry Labels




## Sorting and Loading Hints

**⚠ WARNING**

  
**Explosion Hazard**

Keep flammable materials and vapors, such as gasoline, away from dryer  
DO NOT dry anything that has ever had anything flammable on it (even after washing)  
Failure to do so can result in death, explosion, or fire.

**⚠ WARNING**

  
**Fire Hazard**

No washer can completely remove oil.  
Do not dry anything that has ever had any type of oil on it (including cooking oils).  
Items containing foam, rubber, or plastic must be dried on a clothesline or by using an air dry cycle  
Failure to follow these instructions can result in death or fire.

As a general rule, if clothes are sorted properly for the washer, they are sorted properly for the dryer. Try also to sort items according to size. For example, do not dry a sheet with socks or other small items.

Do not add fabric softener sheets once the load has become warm. They may cause fabric softener stains. Bounce® Fabric Conditioner Dryer Sheets have been approved for use in this dryer when used in accordance with the manufacturer's instructions.

**Do not overload.** This wastes energy and causes wrinkling.

## Appliance communication.

### WiFi Connect (For customers in Canada only - on some models)

Depending on the model, your dryer is either **GE Appliances WiFi Connect** enabled, or compatible using the optional **GE Appliances ConnectPlus** module.

**If enabled:** Visit [www.geappliances.com/connect](http://www.geappliances.com/connect) and enter your model number to show you the proper steps to connect your appliance.

**If compatible:** To connect this appliance to the internet you will need to purchase a **GE Appliances ConnectPlus** and attach the module to your appliance through the communication port in the appliance. The **GE Appliances ConnectPlus** will allow your appliance to communicate with your smartphone for remote appliance monitoring, control and notifications.

Please visit [www.GEAppliances.com/connect](http://www.GEAppliances.com/connect) to learn more about connected appliance features, to learn what connected appliance app's will work with your smartphone.

WiFi Connectivity: For assistance with the appliance or the **ConnectPlus** network connectivity, please call GE Appliances at **800.GE.CARES**.

Visit your local authorized GE Appliances Parts distributor or order by phone at **800.661.1616** during normal business hours.

**Part Number**  
PBX10W00Y0

**Accessory**  
**WiFi ConnectPlus** module

## Care and Cleaning of the Dryer.

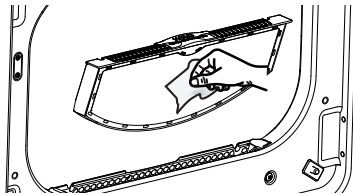
---

**The Exterior:** Wipe or dust any spills or washing compounds with a damp cloth. Dryer control panel and finishes may be damaged by some laundry pretreatment soil and stain remover products. Apply these products away from the dryer. The fabric may then be washed and dried normally. Damage to your dryer caused by these products is not covered by your warranty.

**The Lint Filter:** Clean the lint filter before each use. Remove by pulling straight up. Run your fingers across the filter. A waxy buildup may form on the lint filter from using dryer added fabric softener sheets.

To remove this buildup, wash the lint screen in warm, soapy water. Dry thoroughly and replace. Do not operate the dryer without the lint filter in place.

Vacuum the lint from the dryer lint filter area if you notice a change in dryer performance.



**Stainless Steel:** To clean stainless steel surfaces, use a damp cloth with a mild, non-abrasive cleaner suitable for stainless steel surfaces. Remove the cleaner residue, and then dry with a clean cloth.

**Dryer Interior and Duct:** The interior of the appliance and exhaust duct should be cleaned once a year by qualified service personnel.

**The Exhaust Duct:** Inspect and clean the exhaust ducting at least once a year to prevent clogging. A partially clogged exhaust can lengthen the drying time.

**Follow these steps:**

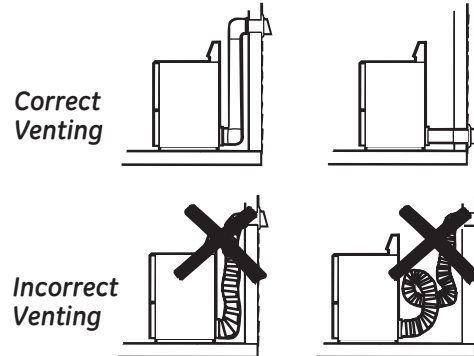
- 1** Turn off electrical supply by disconnecting the plug from the wall socket.
- 2** Disconnect the duct from the dryer.
- 3** Vacuum the duct with the hose attachment and reconnect the duct.

**The Exhaust Hood:** Check from the outside that the flaps of the hood move freely when operating. Make sure that there is not wildlife (birds, insects, etc.) nesting inside the duct or hood.

# About venting the dryer.

For the best drying performance, the dryer needs to be properly vented. **The dryer will use more energy and run longer if it is not vented to the below specifications. Carefully follow the details on Exhausting in the Installation Instructions.**

- Use only rigid metal 4" diameter ductwork inside the dryer cabinet. Use only rigid metal or UL listed flexible metal 4" diameter ductwork for exhausting to the outside.
- Do not use plastic or other combustible ductwork.
- Use the shortest length possible.
- Do not crush or collapse.
- Avoid resting the duct on sharp objects.
- **Venting must conform to local building codes.**



## **WARNING** - Fire Hazard

This dryer **MUST** be exhausted to the outdoors.

Use only 4" rigid metal ducting for the home exhaust duct.

Use only 4" rigid metal or UL-listed dryer transition duct to connect the dryer to the home exhaust.

**DO NOT** use a plastic vent.

**DO NOT** exhaust into a chimney, kitchen exhaust, gas vent, wall, ceiling, attic, crawl space, or concealed space of a building.

**DO NOT** install a screen in or over the exhaust duct.

**DO NOT** install a booster fan in the exhaust duct.

**DO NOT** use duct longer than specified in the exhaust length table.

Failure to follow these instructions can result in death or fire.

## Before you call for service...



*Troubleshooting Tips*  
Save time and money! Review the charts on the following pages, or visit [GEAppliances.ca](http://GEAppliances.ca). You may not need to call for service.

<b>Problem</b>	<b>Possible Causes</b>	<b>What To Do</b>
<b>Dryer doesn't start</b>	<b>Dryer is unplugged</b>	<ul style="list-style-type: none"> <li>• Make sure the dryer plug is pushed completely into the outlet.</li> </ul>
	<b>Fuse is blown/circuit breaker is tripped</b>	<ul style="list-style-type: none"> <li>• Check the house fuse/circuit breaker box and replace fuse or reset breaker. <b>NOTE:</b> Most electric dryers use two fuses/breakers.</li> </ul>
<b>Dryer doesn't heat</b>	<b>Fuse is blown/circuit breaker is tripped; the dryer may tumble but not heat</b>	<ul style="list-style-type: none"> <li>• Check the house fuse/circuit breaker box and replace both fuses or reset both breakers. Your dryer may tumble if only one fuse is blown or one breaker is tripped.</li> </ul>
	<b>Gas service is off</b>	<ul style="list-style-type: none"> <li>• Make sure gas shutoff at dryer and main shutoff are fully open.</li> </ul>
	<b>No heat temperature selected</b>	<ul style="list-style-type: none"> <li>• Select another heat setting.</li> </ul>
<b>Dryer shakes or makes noise</b>	<b>Some shaking/noise is normal. Dryer may be sitting unevenly</b>	<ul style="list-style-type: none"> <li>• Move dryer to an even floor space, or adjust leveling legs as necessary until even.</li> </ul>
<b>Greasy spots on clothes</b>	<b>Improper use of fabric softener</b>	<ul style="list-style-type: none"> <li>• Follow directions on fabric softener package.</li> </ul>
	<b>Drying dirty items with clean ones</b>	<ul style="list-style-type: none"> <li>• Use your dryer to dry only clean items. Dirty items can stain clean items and the dryer.</li> </ul>
	<b>Clothes were not completely clean</b>	<ul style="list-style-type: none"> <li>• Sometimes stains which cannot be seen when the clothes are wet appear after drying. Use proper washing procedures before drying.</li> </ul>
<b>Lint on clothes</b>	<b>Lint filter is full</b>	<ul style="list-style-type: none"> <li>• Clean lint screen before each load.</li> </ul>
	<b>Improper sorting</b>	<ul style="list-style-type: none"> <li>• Sort lint producers (like chenille) from lint collectors (like corduroy).</li> </ul>
	<b>Static electricity can attract lint</b>	<ul style="list-style-type: none"> <li>• See suggestions in this section under <b>Static</b>.</li> </ul>
	<b>Overloading</b>	<ul style="list-style-type: none"> <li>• Separate large loads into smaller ones.</li> </ul>
	<b>Paper, tissue, etc., left in pockets</b>	<ul style="list-style-type: none"> <li>• Empty all pockets before laundering clothes.</li> </ul>
<b>Static occurs</b>	<b>No fabric softener was used</b>	<ul style="list-style-type: none"> <li>• Try a fabric softener.</li> <li>• Bounce® Fabric Conditioner Dryer Sheets have been approved for use in all GE Dryers when used in accordance with the manufacturer's instructions.</li> </ul>
	<b>Over-drying</b>	<ul style="list-style-type: none"> <li>• Try a fabric softener.</li> <li>• Adjust setting to <b>Less Dry</b> or <b>Damp Dry</b>.</li> </ul>
	<b>Synthetics, permanent press and blends can cause static</b>	<ul style="list-style-type: none"> <li>• Try a fabric softener.</li> </ul>
<b>Inconsistent drying times</b>	<b>Type of heat</b>	<ul style="list-style-type: none"> <li>• Automatic drying times will vary according to the type of heat used (electric, natural or LP gas), size of load, types of fabrics, wetness of clothes and condition of exhaust ducts.</li> </ul>
<b>The Dry dryness level was chosen but load is still damp</b>	<b>Load consists of a mixture of heavy and light fabrics</b>	<ul style="list-style-type: none"> <li>• When combining heavy and light fabrics in a load, choose <b>More Dry</b> if you are using a sensor cycle.</li> </ul>
	<b>Exhaust system is blocked</b>	<ul style="list-style-type: none"> <li>• Inspect and clean exhaust system.</li> </ul>



<i>Problem</i>	<i>Possible Causes</i>	<i>What To Do</i>
<i>Clothes take too long to dry</i>	<i>Improper sorting</i>	<ul style="list-style-type: none"> <li>Separate heavy items from lightweight items (generally, a well-sorted washer load is a well-sorted dryer load).</li> </ul>
	<i>Large loads of heavy fabrics (like beach towels)</i>	<ul style="list-style-type: none"> <li>Large, heavy fabrics contain more moisture and take longer to dry. Separate large, heavy fabrics into smaller loads to speed drying time.</li> </ul>
	<i>Controls improperly set</i>	<ul style="list-style-type: none"> <li>Match control settings to the load you are drying.</li> </ul>
	<i>Lint filter is full</i>	<ul style="list-style-type: none"> <li>Clean lint filter before every load.</li> </ul>
	<i>Improper or obstructed ducting</i>	<ul style="list-style-type: none"> <li>Check installation instructions for proper ducting/venting.</li> <li>Make sure ducting is clean, free of kinks and unobstructed.</li> <li>Check to see if outside wall damper operates easily.</li> <li>Check the Installation Instructions to make sure the dryer venting is correct.</li> </ul>
	<i>Blown fuses or tripped circuit breaker</i>	<ul style="list-style-type: none"> <li>Replace fuses or reset circuit breakers. Since most dryers use 2 fuses/breakers, make sure both are operating.</li> </ul>
	<i>Overloading/combining loads</i>	<ul style="list-style-type: none"> <li>Do not put more than one washer load in the dryer at a time.</li> </ul>
<i>Clothes are wrinkled</i>	<i>Over-drying</i>	<ul style="list-style-type: none"> <li>Select a shorter drying time.</li> <li>Remove items while they still hold a slight amount of moisture. Select a <b>Less Dry</b> or <b>Damp Dry</b> setting.</li> </ul>
	<i>Letting items sit in dryer after cycle ends</i>	<ul style="list-style-type: none"> <li>Remove items when cycle ends and fold or hang immediately.</li> </ul>
	<i>Overloading</i>	<ul style="list-style-type: none"> <li>Separate large loads into smaller ones.</li> </ul>
<i>Clothes shrink</i>	<i>Some fabrics will naturally shrink when washed. Others can be safely washed, but will shrink in the dryer</i>	<ul style="list-style-type: none"> <li>To avoid shrinkage, follow garment care labels exactly.</li> <li>Some items may be pressed back into shape after drying.</li> <li>If you are concerned about shrinkage in a particular item, do not machine wash or tumble dry it.</li> </ul>
<i>Water seen on inside of door and top of lint filter when opening door after steam cycle</i>	<i>Steam condenses on these surfaces</i>	<ul style="list-style-type: none"> <li>This is normal.</li> </ul>
<i>Small areas on clothes are damp after steam cycle</i>	<i>Steam condenses on inner drum</i>	<ul style="list-style-type: none"> <li>If using the <b>Steam Dewrinkle</b> cycle, manually reduce the cycle time. If using the <b>Steam Refresh</b> cycle, add more garments to the load.</li> </ul>
<i>Collars and waistbands still wet at end of cycle</i>	<i>The dryness monitor senses that the body of the clothes is dry</i>	<ul style="list-style-type: none"> <li>Choose <b>Speed Dry</b> or <b>Timed Dry</b> to dry damp collars and waistbands. In the future, when drying a load with collars and waistbands, choose <b>More Dry</b>.</li> </ul>
<i>Slight variation in metallic color</i>	<i>This is normal</i>	<ul style="list-style-type: none"> <li>Due to the metallic properties of paint used for this unique product, slight variations of color may occur due to viewing angles and lighting conditions.</li> </ul>

## Before you call for service...



<b>Problem</b>	<b>Possible Causes</b>	<b>What To Do</b>
<i>Small amount of water on floor in front of dryer</i>	Inadequate load size for steam cycle selected, excess steam condenses inside cabinet and leaks out	<ul style="list-style-type: none"> <li>If using the <b>Steam Dewrinkle</b> cycle, manually reduce time. If using the <b>Steam Refresh</b> cycle, add more garments to the load.</li> </ul>
<i>Water on floor in back of dryer</i>	Loose water hose connection to valve	<ul style="list-style-type: none"> <li>Tighten connection.</li> </ul>
	Hose missing rubber washer at connection with valve	<ul style="list-style-type: none"> <li>Install rubber washer provided with hose.</li> </ul>
<i>Water drips from door when opened after a Steam Cycle</i>	Steam condenses on inner door	<ul style="list-style-type: none"> <li>This is normal.</li> </ul>
<i>Cannot see steam at beginning of cycle</i>	Steam released at different time in cycle	<ul style="list-style-type: none"> <li>This is normal.</li> </ul>
<i>Cannot see steam at any time during the cycle</i>	The steam nozzle might be clogged with debris from your water supply	<ul style="list-style-type: none"> <li>Call <b>800.GE.CARES</b> to order nozzle replacement kit <b>WE25M71</b> or to request a service technician to replace this for you.</li> </ul>
<i>Garments still wrinkled after steam cycle</i>	Too many garments	<ul style="list-style-type: none"> <li>Load fewer garments; manually increase time.</li> </ul>
<i>Dryer continues to tumble after display says complete</i>	Extended/Dewrinkle Tumble was selected	<ul style="list-style-type: none"> <li>Ensure <b>Extended/Dewrinkle Tumble</b> option is not selected. For the <b>Steam Refresh</b> cycle, <b>Extended/Dewrinkle Tumble</b> will automatically be turned on and cannot be turned off.</li> </ul>
<i>Garments are wet after Steam cycle</i>	Lint filter not clean	<ul style="list-style-type: none"> <li>Clean lint filter</li> </ul>
	Load is children/infant garments	<ul style="list-style-type: none"> <li>Use the <b>Steam Refresh</b> cycle.</li> </ul>
<i>No numbers displayed during cycle, only lights</i>	Dryer is continuously monitoring the amount of moisture in the clothes	<ul style="list-style-type: none"> <li>This is normal. When the dryer senses a low level of moisture in the load, the dryer will display the dry time remaining.</li> </ul>
<i>Time Remaining jumped to a lower number</i>	The estimated time may change when a smaller load than usual is drying	<ul style="list-style-type: none"> <li>This is normal.</li> </ul>
<i>Dryer is running but 00 is displayed in Time Remaining</i>	The Extended/Dewrinkle Tumble option was chosen	<ul style="list-style-type: none"> <li>This is normal. During <b>Extended/Dewrinkle Tumble</b>, the time remaining is not displayed. The extended tumbling option lasts approximately 60 minutes; dewrinkle 60 minutes.</li> </ul>
<i>Clothes are still wet and dryer shuts off after a short time</i>	The door was opened mid-cycle. The load was then removed from the dryer and a new load put in without selecting a new cycle	<ul style="list-style-type: none"> <li>A dry cycle must be re-selected each time a new load is put in.</li> </ul>
	Small load	<ul style="list-style-type: none"> <li>When drying 3 items or less, choose <b>Speed Dry</b> or <b>Timed Dry</b>.</li> </ul>
	Load was already dry except for collars and waistbands	<ul style="list-style-type: none"> <li>Choose <b>Speed Dry</b> or <b>Timed Dry</b> to dry damp collars and waistbands. In the future, when drying a load with collars and waistbands, choose <b>More Dry</b>.</li> </ul>
	Dryer is not level	<ul style="list-style-type: none"> <li>Move dryer to an even floor space or adjust leveling legs as necessary until even.</li> </ul>

# GE Appliances Dryer Warranty.



All warranty support provided by our authorized service centers. To schedule service, on-line, 24 hours a day, visit us at [GEAppliances.ca](http://GEAppliances.ca) or call **800.561.3344** during normal business hours. Please have serial number and model number available when calling for service.

*Staple your receipt here.  
Proof of the original purchase date is needed to obtain support under the warranty.*

---

## For The Period Of: GE Appliances Will Replace:

---

### **One Year**

*From the date of the original purchase*

**Any part** of the dryer which fails due to a defect in materials or workmanship. During this **limited one-year warranty**, GE Appliances will also provide, **free of charge**, all labor and related service costs to replace the defective part.

---

## What GE Appliances Will Not Cover:

---

- Service trips to your home to teach you how to use the product.
- Improper installation, delivery or maintenance.
- Failure of the product if it is abused, misused, or used for other than the intended purpose or used commercially.
- Replacement of the light bulb.
- Replacement of house fuses or resetting of circuit breakers.
- Damage to the product caused by accident, fire, floods or acts of God.
- Incidental or consequential damage caused by possible defects with this appliance.
- Damage caused after delivery.
- Product not accessible to provide required service.
- Defects or damage due to operation in freezing temperatures.
- Products which are not defective or broken, or which are working as described in the Owner's Manual.

**EXCLUSION OF IMPLIED WARRANTIES—Your sole and exclusive remedy is product repair as provided in this Limited Warranty. Any implied warranties, including the implied warranties of merchantability or fitness for a particular purpose, are limited to one year or the shortest period allowed by law.**

*This warranty is extended to the original purchaser and any succeeding owner for products purchased in Canada for home use within Canada. In-home warranty service will be provided in areas where it is available and deemed reasonable by MC Commercial to provide.*

Warrantor: MC Commercial, Burlington, L7R 5B6

## Consumer Support.

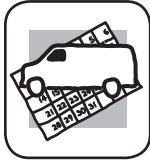
---



### *GE Appliances Website*

**GEAppliances.ca**

Have a question or need assistance with your appliance? Try the GE Appliances Website 24 hours a day, any day of the year! For greater convenience and faster service, you can now download Owner's Manuals, order parts or even schedule service on-line.



### *Schedule Service*

**GEAppliances.ca**

Expert GE Appliances repair service is only one step away from your door. Get on-line and schedule your service at your convenience 24 hours any day of the year! Or call **800.561.3344** during normal business hours.



### *Real Life Design Studio*

**GEAppliances.ca**

GE Appliances supports the Universal Design concept—products, services and environments that can be used by people of all ages, sizes and capabilities. We recognize the need to design for a wide range of physical and mental abilities and impairments. For details of GE's Universal Design applications, including kitchen design ideas for people with disabilities, check out our Website today. Call 800.561.3344.



### *Extended Warranties*

Consult your local listings for the nearest extended warranty provider.



### *Parts and Accessories*

**GEAppliances.ca**

Individuals qualified to service their own appliances can have parts or accessories sent directly to their homes. Visit your local authorized GE Appliances parts distributor or call **800.661.1616**.

Instructions contained in this manual cover procedures to be performed by any user. Other servicing generally should be referred to qualified service personnel. Caution must be exercised, since improper servicing may cause unsafe operation.



### *Contact Us*

**GEAppliances.ca**

If you are not satisfied with the service you receive from GE Appliances, contact us on our Website with all the details including your phone number, or write to: Director, Consumer Relations, MC Commercial  
Suite 310, 1 Factory Lane  
Moncton, N.B. E1C 9M3



### *Register Your Appliance*

**GEAppliances.ca**

**Register your new appliance on-line—at your convenience!** Timely product registration will allow for enhanced communication and prompt service under the terms of your warranty, should the need arise. You may also mail in the pre-printed registration card included in the packing material.

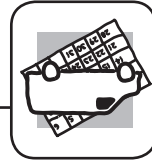


## Site Web des électroménagers GE Appliances



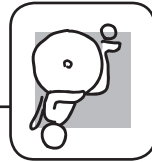
Vous avez des questions ou besoin d'assistance concernant votre appareil ? Consultez le site Web des électroménagers GE Appliances accessible 24 heures sur 24, tous les jours de l'année! Pour un service pratique encore plus rapide, vous pouvez maintenant télécharger des manuels, commander des pièces ou même faire une demande de réparation en ligne.

## Demande de réparation



Pour bénéficier du service de réparation de GE Appliances, il suffit de nous contacter. Demandez une réparation en ligne, 24 heures sur 24, tous les jours! C'est pratique! Ou encore, téléphonez au **1 800 561 3344** pendant les heures normales de bureau.

## electromenagersGE.ca



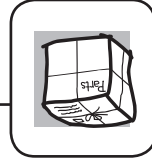
GE Appliances soutient la conception universelle : produits, services et environnements à la portée de tous, quels que soient leur âge, taille ou capacités mentales et physiques. Nous avons conscience qu'il est nécessaire d'adapter nos produits à toute la variété de capacités et de handicaps physiques et mentaux existants. Pour plus de détails sur les applications de conception universelle de GE Appliances, dont la conception de cuisines pour les personnes atteintes d'un handicap, consultez notre site Web dès aujourd'hui. Les malentendants peuvent téléphoner au **1 800 561 3344**.

## Garanties prolongées



Veillez consulter votre annuaire local pour trouver un fournisseur de garantie prolongée.

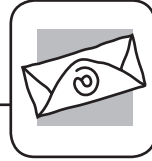
## Pièces et accessoires



Veillez consulter votre annuaire pour trouver un distributeur local de pièces GE Appliances. Autrement, appelez-nous au **800.661.1616**.

Les directives stipulées dans le présent manuel comportent des procédures que n'importe quel utilisateur peut effectuer. Les autres types de réparation doivent généralement être confiés à un technicien qualifié. Faites preuve de prudence, car une réparation ou un entretien mal effectué peut rendre l'utilisation de l'appareil dangereuse.

## Communiquez avec nous



Si vous n'êtes pas satisfait du service après-vente de GE Appliances, communiquez avec nous sur notre site Web en fournissant tous les détails et votre numéro de téléphone, ou écrivez à :

Directeur, Relations au consommateur, MC Commercial  
Suite 310, 1 Factory Lane  
Moncton, N.B. E1C 9M3

## Enregistrez votre appareil



**Enregistrez votre nouvel appareil en ligne au moment qui vous convient le mieux!** L'enregistrement de votre produit dans les délais prescrits permet une meilleure communication et un service rapide, selon les modalités de votre garantie, si besoin est. Vous pouvez également envoyer par courrier la carte d'enregistrement préimprimée qui se trouve dans l'emballage de votre appareil.

## electromenagersGE.ca

# Garantie de la sècheuse GE Appliances.



Toutes les réparations sous garantie sont effectuées par nos centres de réparation autorisés. Pour une demande de réparation en ligne, 24 heures par jour, visitez le site [electromenagersGE.ca](http://electromenagersGE.ca) ou téléphonez au 1 800 561 3344. Veuillez avoir les numéros de série et de modèle de votre appareil à portée de main lorsque vous appelez pour une réparation.

Agrafez votre facture ici. Une preuve de la date d'achat d'origine est requise pour bénéficier du service de réparation sous garantie.

Pendant une période de :

GE Appliances remplacera :

**Un an**  
À compter de la date de fabrication. Au cours de cette **garantie limitée d'un an**, GE Appliances fournira également, **sans frais**, toute pièce de la sècheuse qui se révèle défectueuse en raison d'un vice de matériau ou de fabrication. Les pièces et la main-d'œuvre d'achat d'origine.

Ce que GE Appliances ne couvre pas :

- Toute visite à votre domicile pour vous expliquer le fonctionnement de l'appareil.
- L'installation, la livraison ou l'entretien inadéquats de l'appareil.
- Toute défectuosité du produit lorsqu'il a été utilisé de façon abusive ou inadéquate, employé à toute autre fin que celle pour laquelle il a été conçu ou utilisé à des fins commerciales.
- Le remplacement de l'ampoule.
- Le remplacement des fusibles ou le réenclenchement des disjoncteurs du panneau de distribution de votre résidence.
- Les produits qui ne sont pas défectueux ou brisés, ou qui fonctionnent tel que décrit dans le Manuel de l'utilisateur.
- Tout dommage au produit attribuable à un accident, à un incendie, à une inondation ou à une catastrophe naturelle.
- Tout dommage accessoire ou indirect, causé par des défaillances possibles de l'appareil.
- Tout dommage causé après la livraison.
- Tout produit auquel il n'est pas possible d'accéder pour effectuer les réparations nécessaires.
- Les défectuosités ou les dommages causés par une utilisation de l'appareil à des températures situées sous le point de congélation.
- Les produits qui ne sont pas défectueux ou brisés, ou qui fonctionnent tel que décrit dans le Manuel de l'utilisateur.

**EXCLUSION DES GARANTIES IMPLICITES :** Votre seul et unique recours est de faire réparer le produit dans le cadre de cette garantie limitée. Toute garantie implicite, incluant la garantie de qualité marchande ou d'aptitude du produit à un usage particulier, est limitée à un an ou à la période la plus courte autorisée par la loi.

Cette garantie est offerte à l'acheteur initial, ainsi qu'à tout propriétaire subséquent d'un produit acheté au Canada en vue d'une utilisation domestique au Canada. Si le produit se situe dans une zone où aucun réparateur agréé par GE Appliances n'est disponible, vous devrez peut-être assumer les frais de déplacement de celui-ci ou apporter le produit à un atelier de réparation agréé par GE Appliances. Si vous avez besoin de pièces de rechange, nous vous recommandons de n'utiliser que des pièces d'origine spécifiées de GE Appliances. Ces pièces ont été conçues pour fonctionner avec votre appareil et ont été fabriquées et testées afin de répondre aux spécifications de GE Appliances.

Dans certaines provinces, il est interdit d'exclure ou de limiter les dommages indirects ou accessoires. Il est alors possible que les limitations ou exclusions ci-dessus ne s'appliquent pas dans votre cas. La présente garantie vous confère des droits juridiques spécifiques. Vous pouvez bénéficier d'autres droits, qui varient d'une province à l'autre. Pour connaître les droits dont vous bénéficiez, communiquez avec le bureau des Relations avec les consommateurs de votre région ou de votre province.

Garant : MC COMMERCIAL, BURLINGTON, ON, L7R 5B6

Problème	Causes possibles	Solutions
Présence d'une petite quantité d'eau au sol devant la sècheuse	Taille de la brassée insuffisante pour le programme à la vapeur sélectionné; l'excédent de vapeur se condense à l'intérieur de la sècheuse et fuit à l'extérieur	<ul style="list-style-type: none"> <li>Si vous utilisez le programme <b>Steam Refresh</b> (défroissage à la vapeur), réduisez manuellement la durée du programme. Si vous utilisez le programme <b>Steam Refresh</b> (rafraichissement à la vapeur), ajoutez des vêtements à la brassée.</li> </ul>
Présence d'eau au sol derrière la sècheuse	Raccord d'alimentation en eau desserré sur le robinet	<ul style="list-style-type: none"> <li>Serrez le raccord.</li> </ul>
De l'eau s'écoule de la porte lorsque vous ouvrez cette dernière après un programme à la vapeur	La vapeur se condense sur la contre-porte	<ul style="list-style-type: none"> <li>Ceci est normal.</li> </ul>
Impossible de voir la vapeur au début du programme	De la vapeur est libérée à différents moments du programme	<ul style="list-style-type: none"> <li>Ceci est normal.</li> </ul>
Impossible de voir de la vapeur pendant le programme	La buse à vapeur est peut-être bouchée par des débris provenant de votre alimentation en eau	<ul style="list-style-type: none"> <li>Téléphonnez au <b>1 800 GE-CARES</b> pour commander une buse de remplacement (<b>n° de pièce WE25M71</b>) ou pour demander qu'un technicien qualifié la remplace pour vous.</li> </ul>
Les vêtements présentent des plis après l'utilisation d'un programme à la vapeur	Trop de vêtements dans la sècheuse	<ul style="list-style-type: none"> <li>Chargez moins de vêtements et augmentez manuellement la durée du séchage.</li> </ul>
La sècheuse continue à fonctionner après que l'afficheur indique que le programme est terminé	L'option de culbutage prolongé/défroissage a été sélectionnée	<ul style="list-style-type: none"> <li>Assurez-vous que l'option <b>Extended/Dewrinkle Tumble</b> (culbutage prolongé/défroissage) n'a pas été sélectionnée. Si vous utilisez le programme <b>Steam Refresh</b> (rafraichissement à la vapeur), l'option <b>Extended/Dewrinkle Tumble</b> sera automatiquement activée et ne pourra pas être arrêtée.</li> </ul>
Les vêtements sont humides après un programme à la vapeur	Le filtre à charpie n'est pas propre	<ul style="list-style-type: none"> <li>Nettoyez le filtre à charpie.</li> </ul>
Le temps restant a bondi à un nombre inférieur	Le temps restant estimé peut changer lorsqu'une brassée plus petite qu'à la normale est dans la sècheuse	<ul style="list-style-type: none"> <li>Ceci est normal.</li> </ul>
Le séchage est en cours, mais 00 est indiqué dans l'afficheur du temps restant	L'option <b>Extended/Dewrinkle Tumble</b> (culbutage prolongé/défroissage) a été sélectionnée	<ul style="list-style-type: none"> <li>Ceci est normal. Durant le <b>Extended/Dewrinkle Tumble</b> (culbutage prolongé/défroissage), le temps restant n'est pas affiché. L'option de culbutage prolonge la durée de séchage d'environ 60 minutes; de défroissage de 60 minutes.</li> </ul>
Les vêtements sont toujours humides et la sècheuse s'arrête après une courte période	La porte a été ouverte pendant le programme La brassée a été retirée de la sècheuse et remplacée par une nouvelle brassée sans qu'un nouveau programme ait été sélectionné	<ul style="list-style-type: none"> <li>Lorsque vous séchez trois articles ou moins, sélectionnez l'option <b>Speed Dry</b> (séchage rapide) ou <b>Time Dry</b> (séchage minute).</li> </ul>
La brassée a été séchée, sauf les cols et les ceintures	La brassée a été séchée, sauf les cols	<ul style="list-style-type: none"> <li>Sélectionnez le réglage <b>Speed Dry</b> (séchage rapide) ou <b>Timed Dry</b> (séchage minute) pour faire sécher les cols et les ceintures humides. À l'avenir, lorsque vous faites sécher une brassée qui comprend des cols et des ceintures, sélectionnez le réglage <b>More Dry</b> (plus sec).</li> </ul>
La sècheuse n'est pas de niveau	Déplacez la sècheuse sur une surface plane ou réglez les pieds de mise à niveau jusqu'à ce qu'elle soit de niveau.	



Avant de contacter un service de dépannage...



Problème	Causes possibles	Solutions
Les vêtements mettent trop de temps à sécher	<ul style="list-style-type: none"> <li>Triage des vêtements inadéquat</li> <li>Séparer les articles lourds des articles légers (de manière générale, une brassée bien triée pour le lavage l'est aussi pour le séchage).</li> </ul>	<ul style="list-style-type: none"> <li>Les articles volumineux et au tissu lourd contiennent plus d'humidité et prennent plus de temps pour sécher. Séparez les articles volumineux et ou tissu lourd en plus petites brassées pour accélérer le séchage.</li> </ul>
Grandes brassées de tissus lourds (comme des serviettes de plage)	<ul style="list-style-type: none"> <li>Les commandes sont mal réglées</li> </ul>	<ul style="list-style-type: none"> <li>Régler les paramètres de séchage en fonction de la brassée que vous séchez.</li> </ul>
Le filtre à charpie est plein	<ul style="list-style-type: none"> <li>Conduit inadéquat ou bouché</li> </ul>	<ul style="list-style-type: none"> <li>Nettoyez le filtre à charpie avant chaque séchage.</li> <li>Reportez-vous aux instructions d'installation pour vous assurer d'une bonne évacuation.</li> <li>Vérifiez que le conduit est propre, sans pili et n'est pas obstrué.</li> <li>Vérifiez que le registre du mur extérieur fonctionne bien.</li> <li>Reportez-vous aux instructions d'installation pour vous assurer que l'évacuation est adéquate.</li> </ul>
Fusibles grillés ou disjoncteur déclenché	<ul style="list-style-type: none"> <li>Surcharger/combinaison des brassées</li> <li>Brassée insuffisante</li> </ul>	<ul style="list-style-type: none"> <li>Si vous ne séchez qu'un ou deux articles, ajoutez quelques articles pour assurer un cubitage adéquat.</li> <li>Sélectionnez un temps de séchage plus court.</li> <li>Retirez les articles pendant qu'ils sont encore un peu humides.</li> <li>Sélectionnez les réglages <b>Less Dry</b> (moins sec) ou <b>Damp</b> (humide).</li> <li>Sortez le linge à la fin du programme et pliez-le ou suspendez-le immédiatement.</li> <li>Divisez les brassées volumineuses en de plus petites.</li> </ul>
Les vêtements rétrécissent	<ul style="list-style-type: none"> <li>Il est naturel que certains tissus rétrécissent au lavage. D'autres peuvent être lavés sans problème, mais rétrécissent au séchage</li> </ul>	<ul style="list-style-type: none"> <li>Pour éviter le rétrécissement, respectez à la lettre les consignes d'entretien des vêtements, sur les étiquettes.</li> <li>Une fois repassés, certains articles reprennent leur forme après le séchage. Si vous craignez qu'un vêtement en particulier rétrécisse, ne le lavez pas à la machine et ne le séchez pas à la sècheuse.</li> </ul>
De l'eau se retrouve à l'intérieur de la porte et sur le dessus du filtre à charpie lorsque la porte est ouverte après l'utilisation d'un programme à la vapeur	<ul style="list-style-type: none"> <li>La vapeur se condense sur les surfaces</li> </ul>	<ul style="list-style-type: none"> <li>Ceci est normal.</li> </ul>
De petites zones des vêtements sont humides après l'utilisation d'un programme à la vapeur	<ul style="list-style-type: none"> <li>La vapeur se condense sur le tambour interne</li> </ul>	<ul style="list-style-type: none"> <li>Si vous utilisez le programme <b>Steam Dewinkle</b> (défroissage à la vapeur), réduisez manuellement la durée du programme. Si vous utilisez le programme <b>Steam Refresh</b> (rafraichissement à la vapeur), ajoutez des vêtements à la brassée.</li> </ul>
Le col et la ceinture des vêtements sont humides à la fin du programme	<ul style="list-style-type: none"> <li>Le capteur du niveau de séchage considère que les principales parties des vêtements sont secs</li> </ul>	<ul style="list-style-type: none"> <li>Sélectionnez le réglage <b>Speed Dry</b> (séchage rapide) ou <b>Timed Dry</b> (séchage minute) pour faire sécher les cols et les ceintures humides. À l'avenir, lorsque vous faites sécher une brassée qui comprend des cols et des ceintures, sélectionnez le réglage <b>More Dry</b> (plus sec).</li> </ul>
Légère variation de la couleur du métal	<ul style="list-style-type: none"> <li>Ceci est normal</li> </ul>	<ul style="list-style-type: none"> <li>En raison des propriétés métalliques de la peinture utilisée pour ce produit unique, de légères variations de couleur peuvent survenir selon l'angle de vision et les conditions d'éclairage.</li> </ul>

# Avant de contacter un service de dépannage...

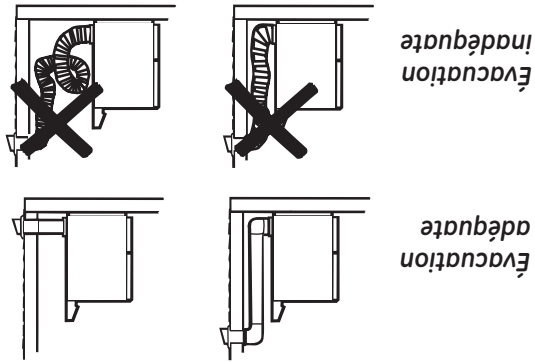


Conseils de dépannage  
Économisez du temps et de l'argent! Vérifiez les tableaux des pages qui suivent, ou consultez [electromangers.ca](http://electromangers.ca). Vous pourriez vous éviter un appel de service.

Problème	Causes possibles	Solutions
La sècheuse ne chauffe pas	<ul style="list-style-type: none"> <li>Le fusible est grillé/le disjoncteur s'est déclenché ; la sècheuse tourne, mais ne chauffe pas</li> <li>Vérifiez la boîte de fusibles ou de disjoncteurs. Remplacez les deux fusibles ou réenclenchez les deux disjoncteurs. Votre sècheuse peut fonctionner même si un seul fusible est grillé ou un seul disjoncteur est déclenché.</li> <li>Vérifiez que le robinet d'arrêt du gaz de la sècheuse et que le robinet d'arrêt principal sont complètement ouverts.</li> <li>Sélectionnez un autre réglage de chaleur.</li> </ul>	<ul style="list-style-type: none"> <li>Déplacez la sècheuse sur une surface plane ou réglez les pieds jusqu'à ce qu'ils soient de niveau.</li> </ul>
La sècheuse tremble ou fait du bruit	<ul style="list-style-type: none"> <li>Un certain niveau de tremblement et/ou de bruit est normal. La sècheuse n'est peut-être pas de niveau</li> </ul>	<ul style="list-style-type: none"> <li>Utilisez votre sècheuse pour sécher des vêtements propres seulement. Les vêtements sales peuvent tacher les vêtements propres, ainsi que la sècheuse.</li> <li>Parfois, les taches invisibles lorsque les vêtements sont humides Les vêtements n'étaient pas tout à fait propres</li> </ul>
Tâches de graisse sur les vêtements	<ul style="list-style-type: none"> <li>Du linge sale a été séché avec du linge propre</li> <li>Les vêtements n'étaient pas tout à fait propres</li> </ul>	<ul style="list-style-type: none"> <li>Nettoyez le filtre à charpie avant chaque séchage.</li> <li>Séparez les vêtements qui produisent beaucoup de charpie (p. ex., chenille) de ceux qui l'attirent (p. ex., velours côtelé).</li> <li>Reportez-vous aux suggestions dans la section <b>Présence d'électricité statique</b>.</li> </ul>
Charpie sur les vêtements	<ul style="list-style-type: none"> <li>Le filtre à charpie est plein</li> <li>Triage des vêtements inadéquat</li> <li>L'électricité statique attire la charpie</li> </ul>	<ul style="list-style-type: none"> <li>Essayez d'utiliser un assouplissant.</li> <li>Divisez les brassées volumineuses en de plus petites.</li> <li>Videz toutes les poches avant de laver les vêtements.</li> </ul>
Présence d'électricité statique	<ul style="list-style-type: none"> <li>Aucun assouplissant n'a été utilisé</li> </ul>	<ul style="list-style-type: none"> <li>Les feuilles d'assouplissant Bounce<sup>MD</sup> ont été approuvées pour une utilisation avec toutes les sècheuses GE. Utilisez-les conformément au mode d'emploi du fabricant.</li> <li>Essayez d'utiliser un assouplissant.</li> <li>Réglez les paramètres à <b>LessDry</b> (moins sec) ou <b>Damp Dry</b> (humide).</li> <li>Essayez d'utiliser un assouplissant.</li> </ul>
Séchage trop intense	<ul style="list-style-type: none"> <li>Les tissus synthétiques, les tissus à pressage permanent et les mélanges de tissus peuvent créer de l'électricité statique</li> </ul>	<ul style="list-style-type: none"> <li>Les durées automatiques de séchage varient selon le type de chaleur (électrique, gaz naturel ou GPL), le volume de linge, les types de tissus, l'humidité du linge et l'état des conduits d'évacuation.</li> </ul>
Temps de séchage inégal	<ul style="list-style-type: none"> <li>Le niveau de séchage Dry (sec) a été sélectionné, mais les articles restent humides</li> <li>La brassée est composée d'un mélange de tissus lourds et légers</li> <li>Le système d'évacuation est obstrué</li> </ul>	<ul style="list-style-type: none"> <li>Inspectez et nettoyez le système d'évacuation.</li> <li>Lorsque vous combinez des tissus lourds et légers dans la même brassée, sélectionnez l'option <b>More Dry</b> (plus sec) si vous utilisez un programme de séchage par capteur.</li> </ul>

# À propos de l'évacuation de la sècheuse.

Pour optimiser le séchage, la sècheuse doit s'évacuer correctement. La sècheuse consommera davantage d'énergie et fonctionnera plus longtemps si elle n'est pas ventilée selon les spécifications ci-dessous. Suivez attentivement les instructions détaillées sur l'évacuation sous « Instructions d'installation ».



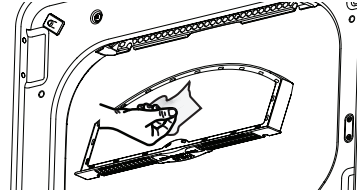
- Utilisez exclusivement un conduit métallique rigide d'un diamètre de 4 po (10,2 cm) à l'intérieur de l'armoire de la sècheuse. Utilisez uniquement un conduit métallique rigide ou flexible de 4 po (10,2 cm) homologué UL pour l'évacuation vers l'extérieur.
- N'utilisez pas de conduit en plastique ou en d'autres matériaux combustibles.
- Utilisez le conduit le plus court possible.
- N'écrivez pas et ne pliez pas le conduit.
- Évitez de faire reposer le conduit sur des objets pointus.
- L'évacuation doit être conforme aux codes du bâtiment locaux.

## ⚠ AVERTISSEMENT - Risque d'incendie

Cette sècheuse doit être équipée d'une évacuation vers l'extérieur. Utilisez uniquement un conduit métallique rigide de 4 po (10,2 cm) pour l'évacuation intérieure. N'utilisez que des conduits de transition en métal rigide de 4 po (10,2 cm) ou homologués UL pour brancher la sècheuse sur l'évacuation de la maison. N'utilisez PAS de conduit d'évacuation en plastique. NE FAITES PAS arriver l'air évacué dans une cheminée, une hotte de cuisine, un conduit d'évacuation des gaz, un mur, un plafond, un grenier, un vide sanitaire ou dans un espace dissimulé du bâtiment. N'INSTALLEZ JAMAIS un filtre dans ou par-dessus le conduit d'évacuation. N'UTILISEZ PAS des conduits plus longs que ceux indiqués dans le tableau des longueurs du système d'évacuation. Le non-respect de ces consignes peut engendrer un incendie ou la mort.

**Extérieur de la sècheuse:** Essuyez ou époussez tout déversement ou produit de lavage avec un chiffon humide. Le tableau de commande de la sècheuse peut être endommagé par certains détergents et produits détachants. Utilisez ces produits loin de l'appareil. Le tissu peut ensuite être lavé et séché normalement. Les dommages causés par ces produits ne sont pas couverts par votre garantie.

**Filtre à charpie :** Nettoyez le filtre à charpie avant chaque utilisation. Retirez-le en le tirant vers le haut. Passez vos doigts à travers le filtre. Il se peut que des matières cireuses provenant des feuilles d'assouplissant pour sècheuse s'y soient accumulées. Pour les éliminer, lavez le filtre à charpie dans de l'eau chaude savonneuse. Sêchez-le bien et remettez-le en place. Ne faites jamais fonctionner la sècheuse sans qu'un filtre à charpie soit en place. Passez l'aspirateur dans la zone du filtre à charpie de la sècheuse si vous remarquez une diminution de la performance de la sècheuse.



**Acier inoxydable :** Pour nettoyer les surfaces en acier inoxydable, utilisez un chiffon humide et un détergent doux non abrasif convenant aux surfaces en acier inoxydable. Retirez les résidus de produit nettoyant, puis séchez-les avec un chiffon propre.

**Intérieur de la sècheuse et conduit :** L'intérieur de l'appareil et le conduit d'évacuation doivent être généralement confiés à un technicien qualifié.

**Conduit d'évacuation :** Inspectez et nettoyez le conduit d'évacuation au moins une fois par année afin d'éviter qu'il se bouche. La durée de séchage peut être augmentée lorsque l'évacuation est bouchée.

Suivez les étapes ci-dessous :

- 1 Coupez l'alimentation électrique en débranchant l'appareil de la prise murale.
- 2 Débranchez le conduit de la sècheuse.
- 3 Passez l'aspirateur dans le conduit, puis raccordez le conduit.

**Hotte d'évacuation :** Vérifiez de l'extérieur que les battants de la hotte se déplacent sans difficulté au cours de l'utilisation. Vérifiez qu'il n'y a pas d'animaux ou d'insectes qui ont fait leur nid dans le conduit ou la hotte.

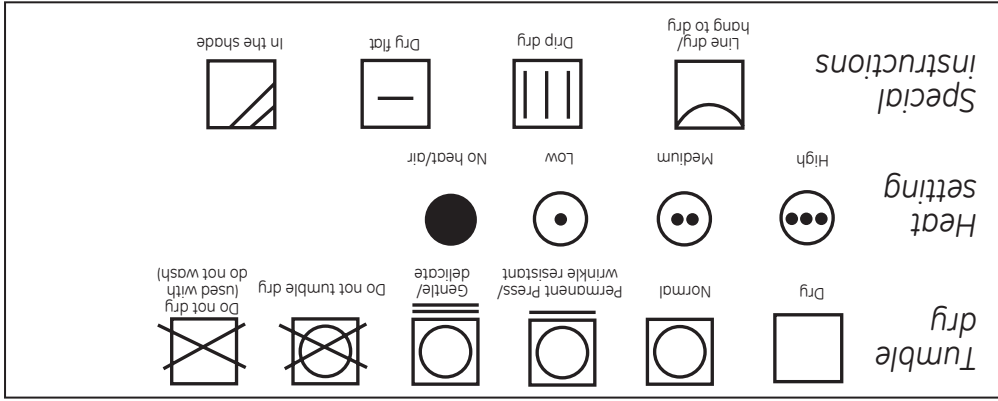
# À propos du chargement et de l'utilisation de la sècheuse

electromenagersGE.ca

Respectez toujours l'étiquette d'entretien du fabricant lors de la lessive.

## Étiquettes d'entretien du linge

Vous trouverez ci-dessous les «symboles» des étiquettes d'entretien de votre linge.



## Dry Labels

## Astuces pour le tri et le chargement

**⚠ AVERTISSEMENT**

**Risque d'explosion**

Tenez les matières et les vapeurs inflammables, comme l'essence, à l'écart de la sècheuse.

Ne placez AUCUN article ayant déjà eu des traces de produit inflammable (même après avoir été lavé).

**⚠ AVERTISSEMENT**

**Risque d'incendie**

Aucune lavouse ne permet d'éliminer complètement l'huile. Ne placez aucun article à la sècheuse ayant déjà eu des traces de tout type d'huile (y compris les huiles de cuisson). Les articles contenant de la mousse, du caoutchouc ou du plastique doivent être séchés sur une corde à linge ou au programme de séchage à l'air.

Le non-respect de ces consignes peut engendrer un incendie ou la mort.

**Évitez de surcharger la sècheuse.** Cela gaspille de l'énergie et crée des plis.

**Ne faites pas sécher les articles suivants dans la sècheuse :** Articles en fibre de verre, les articles en laine, les articles recouverts de caoutchouc, les articles en plastique, les objets dotés de garnitures en plastique et les articles rembourrés de mousse.

## La communication de l'appareil.

### Connexion WiFi (pour les clients au Canada seulement - sur certains modèles)

Selon le modèle, votre sècheuse est soit compatible avec GE Appliances WiFi Connect, soit compatible avec le module ACL Appliances ConnectPlus vendu comme option.

Si active: Visitez [www.geappliances.com/connect](http://www.geappliances.com/connect) et entrez votre numéro de modèle pour vous montrer les étapes appropriées pour connecter votre appareil.

Si compatible: Pour connecter cet appareil à l'Internet, vous devrez acheter un appareil GE Appliances ConnectPlus et joindre le module à votre appareil via le port de communication de l'appareil. GE Appliances ConnectPlus permettra à votre appareil de communiquer avec votre smartphone pour la surveillance, le contrôle et les notifications à distance des appareils.

Visitez [www.GEappliances.com/connect](http://www.GEappliances.com/connect) pour en savoir plus sur les fonctionnalités des appareils connectés et pour savoir quelles applications des appareils connectés fonctionneront avec votre smartphone.

Connectivité WiFi: pour obtenir de l'aide sur l'appareil ou sur la connectivité du réseau **ConnectPlus**, appelez GE Appliances au **800.GE.CARES**.

Visitez votre distributeur agréé local de GE Appliances Parts ou commandez par téléphone au **800.661.1616** pendant les heures normales d'ouverture.

**Numéro de pièce** BX10W00Y0  
**Accessoire** Module WiFi ConnectPlus



## À propos des fonctions de la sècheuse

### *Sensor Dry* (séchage par capteur)

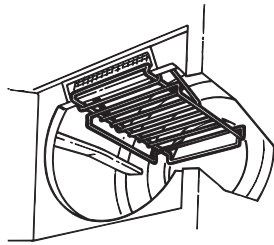
Cette fonction est active dans tous les programmes, sauf dans les programmes *Timed Dry* (séchage minute), *Warm Up* (réchauffement) et *Air Fluff* (duvetage à l'air). Le séchage par capteur (*Sensor Dry*) fournit des résultats de séchage plus précis que sur des machines standard, offrant des temps de séchage plus courts et un meilleur entretien du linge. Lors du culbutage du linge, celui-ci entre en contact avec un capteur d'humidité. Le capteur arrête le programme de chauffage dès que le linge a atteint le niveau de séchage sélectionné.

### *Sensor Dry* (séchage par capteur)

### *Lumière de tambour*

Le tambour est muni d'une lumière à DEL. Cette dernière doit être remplacée par un technicien qualifié.

### *Grille de séchage* (certains modèles)



Utilisez la grille de séchage pour sécher les articles délicats, par exemple, les chandails lavables. Accrochez la grille au-dessus du filtre à charpie de manière à ce qu'elle s'étende dans le tambour.

#### REMARQUE :

- La grille de séchage doit être utilisée avec *Time Cycle* (programme minute).
- N'utilisez pas cette grille de séchage lorsque d'autres vêtements se trouvent dans la sècheuse.

### *Tambour en acier inoxydable* (certains modèles)

L'acier allié utilisé pour la fabrication du tambour de la sècheuse vous offre la meilleure fiabilité possible dans une sècheuse GE. Si le tambour de la sècheuse venait à être marqué ou rayé en cours d'usage normal, il ne rouillerait pas. Ces dommages superficiels n'affecteront pas sa durabilité ni son fonctionnement.

**Numéro de pièce** WE01X25160  
**Accessoire** Grille de séchage

Si votre modèle ne vient pas avec une grille de séchage, commandez un en ligne chez GEApplianceparts.ca aujourd'hui, 24 heures par jour ou par téléphone au 800.661.1616 pendant les heures normales d'ouverture.

Vous pouvez attribuer des réglages individuels allant de minimum (le plus bas de la colonne) à maximum (le plus haut de la colonne) pour la durée du séchage (**Time**), le niveau de séchage (**Level**) et la température (**Temp**). En général, plus la fonction apparaît haut dans la colonne, plus elle est énergivore.

**REMARQUE** : La durée (**Time**) du programme sélectionné peut être ajustée par incréments d'une minute en appuyant sur les touches **Time Adjust +** (plus) et **-** (moins).

**Dryness Level** (niveau de séchage) : une sélection utilisée uniquement pour les programmes avec capteur. Les programmes minutes fonctionnent pendant le temps sélectionné.

<b>More Dry</b> (plus sec)	S'utilise avec les tissus très robustes ou de type mélange.
<b>Dry</b> (sec)	Pour un niveau de séchage normal convenant à la plupart des brassées. Il s'agit du programme conseillé pour les économies d'énergie.
<b>Less Dry</b> (moins sec)	Pour les tissus plus légers.
<b>Damp</b> (humide)	Permet de laisser le linge partiellement humide.
<b>Temperature</b> (température)	<p><b>High</b> (température élevée) Pour les cotons standard à jours.</p> <p><b>REMARQUE</b> : Les options <b>Steam Dewrinkle</b> (défroissage à la vapeur) et <b>Steam Refresh</b> (rafraichissement à la vapeur) nécessitent un réglage de température élevée.</p>
<b>Medium</b> (moyen)	Pour les tissus synthétiques, les mélanges, les tissus délicats et les articles étiquetés pour le pressage permanent.
<b>Low</b> (bas)	Pour les tissus délicats, les tissus synthétiques et les articles étiquetés pour le séchage par culbutage à basse température.
<b>No Heat</b> (sans chaleur)	Permet de duveter les articles sans chaleur. À utiliser uniquement avec le programme <b>Air Fluff</b> (duvetage à l'air).

## **H** Extended Tumble (culbutage prolongé)

Utilisez cette option pour minimiser la formation de plis dans le linge. Elle offre 1 heure de culbutage sans chaleur une fois le linge sec. Si vous sélectionnez le programme **Signal Adjust ou Volume** (certains modèles) (niveau sonore du signal) et l'option **Extended Tumble** (culbutage prolongé), un signal sonore se fera entendre à la fin du temps de séchage et retiendra plusieurs fois durant le programme.

**Extended Tumble** (culbutage prolongé). Cela vous rappellera qu'il est temps de sortir le linge.

### **Damp Alert** (alerte du niveau d'humidité)

Avec cette option, la sècheuse émet un bip lorsque les articles à sécher atteignent un certain niveau d'humidité. Retirez les articles que vous souhaitez faire sécher à l'air. L'alerte du niveau d'humidité (**Damp Alert**) retient uniquement lorsque cette option est sélectionnée (mais le programme de séchage demeure actif). Si vous retirez les vêtements et que vous les suspendez pendant qu'ils sont encore humides, vous n'aurez pas à repasser certains d'entre eux. Le voyant adjacent au bouton s'allume lorsque **Damp Alert** (alerte du niveau d'humidité) est activée.

### **Drum Light** (lumière du tambour)

L'éclairage du tambour s'active lorsque vous appuyez sur la touche **Damp Alert** (alerte du niveau d'humidité) pendant 3 secondes ou que vous ouvrez la porte. La lumière du tambour s'éteindra lorsque vous fermez la porte, que vous appuyez sur la touche **Damp Alert** (alerte du niveau d'humidité) pendant 3 secondes ou si vous laissez la porte ouverte pendant plus de 5 minutes.

### **Delay Dry** (séchage différé)

Appuyez sur la touche **Delay Dry** (séchage différé) pour régler l'heure de la mise en marche de la sècheuse par incréments de 1 heure jusqu'à un maximum de 24 heures (au-delà de 24 heures [0 heure], vous annulez la fonction de séchage différé). Après avoir sélectionné la durée du délai, appuyez sur **Start** (mise en marche) et le décompte du séchage différé se mettra en marche jusqu'au départ du programme.

**REMARQUE** : Pour définir la durée du délai plus rapidement, vous pouvez appuyer sur la touche **Delay Dry** (séchage différé).

### **Delay Dry pour sècheuses connectées à WiFi.**

Pour plus d'informations, consultez la section **Communication de l'appareil**.

Vous avez deux options pour définir le **Delay Dry** à l'aide de votre smartphone.

**Option 1** : suivre les instructions du **Delay Dry**. Vous pouvez utiliser l'application **GE Appliances Laundry** pour ajuster la quantité de temps via votre smartphone.

**Option 2** : Réglez votre sècheuse à "AP" à l'aide du bouton **Delay Dry**. Cela vous permet d'utiliser l'application **GE Appliances Laundry** via votre smartphone pour démarrer votre sècheuse à distance au moment de votre choix. Si la sècheuse est réglée sur AP sans activité, elle démarrera la sècheuse 24 heures plus tard.

### **Signal Adjust ou Volume** (certains modèles) (niveau sonore du signal)

Utilisez la touche **Signal Adjust ou Volume** (niveau sonore du signal) pour modifier le volume du signal sonore qui se fait entendre à la fin des programmes. Appuyez sur la touche jusqu'à ce que vous atteigniez le volume désiré. Nous vous recommandons de retirer les vêtements lorsque le signal sonore se fait entendre afin d'éviter la formation de plis.

### **REMARQUE** :

• Sortez rapidement le linge lorsque le signal retentit. Placez les vêtements sur des cintres de manière à éviter la formation de plis.

• Assurez-vous d'ajuster correctement le niveau sonore du signal de fin de programme à l'aide de la fonction **Signal Adjust ou Volume** (niveau sonore du signal) lorsque vous faites sécher des articles en polycoté, en tricotés et à repassage permanent puisque ces articles doivent être sortis de la sècheuse rapidement pour éviter la formation de plis.

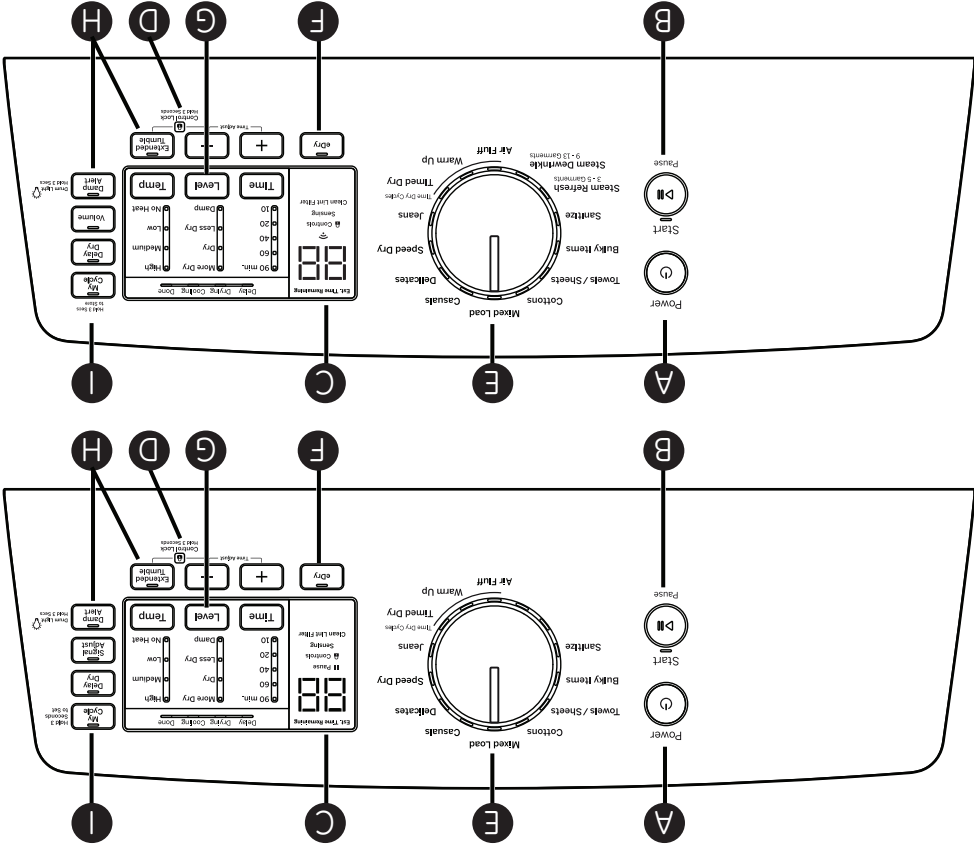
## **I** My Cycle (mon programme)

À mesure que vous tournez le bouton de sélection de programme, les réglages des options **Time** (durée de séchage), **Level** (niveau de séchage) et **Temp** (température) se modifient en réglages automatiques par défaut. Si vous souhaitez utiliser un réglage différent, appuyez sur le bouton approprié. Ensuite, appuyez sur le bouton **My Cycle** (mon programme) et maintenez-le enfoncé pendant 3 secondes afin que la sècheuse garde en mémoire les réglages que vous avez programmés à cette position du bouton de sélection de programme. À l'avenir, lorsque vous placerez le bouton de sélection vis-à-vis ce programme, vos réglages s'activeront automatiquement. **REMARQUE** : Le volume du signal sonore variable ne peut être réglé avec la fonction **My Cycle** (mon programme).

## Mode d'emploi

Programmes de séchage -	Les programmes avec capteur déterminent automatiquement le niveau de séchage du linge. Les programmes minutes fonctionnent pendant le temps sélectionné.
<p><b>Steam Dewinkle</b> (défroissage à la vapeur) (certains modèles)</p> <p>Pour une utilisation avec des brassées plus importantes que celles du programme <b>Steam Refresh</b> (rafraichissement à la vapeur). Idéal pour les brassées laissées dans la sècheuse pendant une longue période.</p> <p><b>La fonction Steam Dewinkle (défroissage à la vapeur) est recommandée pour les brassées de 9 à 13 vêtements</b></p> <p><b>REMARQUE :</b> Les programmes à la vapeur ne sont pas conçus pour être utilisés avec des serviettes.</p> <p><b>Important :</b> Le réglage de température doit être placé à HIGH (élevé) et l'option d'utilisation de l'eau doit être en fonction avant d'utiliser le programme <b>Steam Refresh</b> (rafraichissement à la vapeur).</p>	<p><b>Steam Refresh</b> (rafraichissement à la vapeur) (certains modèles)</p> <p>Pour les vêtements secs légèrement froissés. Permet de réduire significativement les plis. Une fois le programme <b>Steam Refresh</b> (rafraichissement à la vapeur) terminé, l'appareil émettra un bip (si l'option de signal sonore est activée) et affichera « 00 ».</p> <p><b>La fonction Steam Refresh (rafraichissement à la vapeur) est recommandée pour les brassées de 3 à 5 vêtements</b></p> <p><b>REMARQUE :</b> Les programmes à la vapeur ne sont pas conçus pour être utilisés avec des serviettes.</p> <p><b>REMARQUE :</b> Pour un article en tissu extrêmement léger, ajoutez un article supplémentaire dans la brassée si vous utilisez le programme <b>Steam Refresh</b> (rafraichissement à la vapeur) afin d'obtenir de meilleurs résultats.</p> <p><b>Important :</b> Le réglage de température doit être placé à HIGH (élevé) et l'option d'utilisation de l'eau doit être en fonction avant d'utiliser le programme <b>Steam Refresh</b> (rafraichissement à la vapeur).</p>
<p><b>Sanitize</b> (désinfecter) ou <b>Anti-Bacterial</b> (traitement antibactérien) (selon le modèle)</p> <p>Cette option réduit le nombre de certaines bactéries, y compris: <i>Staphylococcus aureus</i>, <i>Pseudomonas aeruginosa</i> et <i>Klebsiella pneumoniae</i>. Le traitement antibactérien est effectué en élevant la température utilisée pendant une partie du programme de séchage.</p> <p><b>REMARQUE :</b> N'utilisez pas ce programme pour les tissus délicats.</p>	<p><b>Bulky Items</b> (articles volumineux)</p> <p>Pour les grands manteaux, couvre-lits, couvre-matelas, sacs de couchage et autres articles gros/volumineux comme les couvertures, les vestes et les petits tapis.</p>
<p><b>Towels/Sheets</b> (serviettes/draps)</p> <p>Pour la plupart des serviettes et du linge de maison.</p> <p><b>Cottons</b> (cotons)</p> <p>Pour les cotons et la plupart du linge de maison.</p> <p><b>Mixed Load</b> (brassée mixte)</p> <p>Pour les charges contenant des articles en coton et en mélange de polyester.</p> <p><b>Casuals</b> (tout-aller)</p> <p>Pour les articles sans plis, à pressage permanent, délicats, ainsi que les tricotés.</p> <p><b>Delicates</b> (délicats)</p> <p>Pour les articles délicats, les tissus à entretien spécial et les tricotés.</p> <p><b>Speed Dry</b> (séchage rapide)</p> <p>Pour les petits volumes de linge, dont on a rapidement besoin, comme les tenues de sport ou les uniformes d'école. Peut également être utilisé si du linge est encore humide à la fin d'un autre programme (des cols ou des ceintures, par exemple). <b>REMARQUE :</b> Sur certains modèles, le décompte de la durée restante du programme s'affiche à l'écran.</p>	<p><b>Jeans</b></p> <p>Pour les jeans</p> <p><b>Timed Dry</b> (séchage minute)</p> <p>Réglez le temps de séchage désiré à l'aide du bouton de sélection de programme.</p> <p><b>Warm Up</b> (réchauffement)</p> <p>Les vêtements sont maintenus au chaud pendant 10 minutes.</p> <p><b>AIR FLUFF</b> (duvetage à l'air)</p> <p>Offre 10 minutes de culbutage sans chaleur.</p>
<p><b>edry</b> (séchage énergétique)</p> <p>Disponible pour les programmes <b>Bulky Items</b> (articles volumineux), <b>Towels/Sheets</b> (serviettes/draps), <b>Cottons</b> (cotons), <b>Mixed Loads</b> (brassées mixtes), <b>Jeans, Casuals</b> (tout-aller) et <b>Delicates</b> (tissus délicats). Lorsque vous appuyez sur le bouton <b>edry</b> (séchage énergétique), le réglage des programmes se modifie afin de réduire la consommation d'énergie totale du programme sélectionné. <b>REMARQUE :</b> La durée des programmes est modifiée lorsque la fonction <b>edry</b> (séchage énergétique) est sélectionnée.</p>	

Les fonctions et l'aspect des sècheuses varient d'un modèle à l'autre.



**A Power (alimentation)**  
Appuyez sur cette touche pour activer l'affichage. Si l'affichage est déjà allumé, appuyez sur cette touche permet de mettre la sècheuse en mode veille.

**B Mise en marche et Pause**  
Appuyez sur **Start** (mise en marche) pour lancer le programme. **REMARQUE** : La porte de la sècheuse doit être fermée pour permettre au programme de débuter. Si vous appuyez de nouveau sur **Start** (mise en marche), le programme se met en mode pause; la touche **Start** (mise en marche) clignotera et le mot « **Pause** » s'affichera.  
Pour relancer le programme, appuyez de nouveau sur la touche **Start** (mise en marche).

**C Voyants d'affichage et de progression**  
La durée restante estimée avant la fin du programme s'affichera.  
**De plus, l'état de progression de la sècheuse s'affichera :**

- **Pause** (certains modèles) Le voyant **Start/Pause** clignotera et le mot « **Pause** » apparaîtra sur l'écran lorsque le programme de la sècheuse est mis sur pause. Vous pouvez relancer le programme en appuyant sur le bouton **Start** (mise en marche).
- **WiFi** (certains modèles) Permet à votre appareil de communiquer avec votre téléphone intelligent pour le contrôle et les notifications de surveillance de l'appareil à distance.
- **Controls** (commandes) La sècheuse est verrouillée; le voyant clignotera une fois si vous appuyez sur un bouton ou si vous tournez le bouton de sélection de programme.
- **Sensing** (détection) Indique que la fonction de détection du niveau d'humidité des vêtements de la sècheuse est activée pour permettre de déterminer le temps approximatif qu'il reste avant la fin du programme. Le voyant **Clean Lint Filter** (nettoyage du filtre à charpie) restera allumé pendant environ 15 secondes une fois le programme terminé.

**D Control Lock (verrouillage des commandes)**

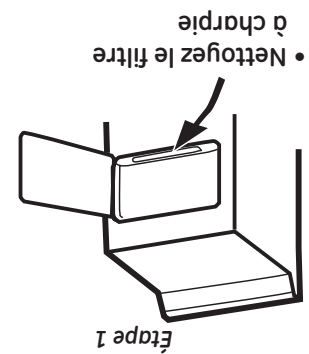
Vous pouvez verrouiller les commandes pour empêcher que d'autres sélections soient faites. Ou vous pouvez verrouiller les commandes après avoir démarré un programme.  
Lorsque cette option est sélectionnée, les entrées ne peuvent mettre en marche accidentellement la sècheuse en touchant les boutons. Pour déverrouiller les commandes de la sècheuse, appuyez sur la touche **Extended Tumble** (cullottage prolongé) et le signe - (moins) et maintenez-les enfoncés pendant 3 secondes. L'icône de verrouillage des commandes clignotera pendant le processus de verrouillage/déverrouillage, restera allumée lorsque les commandes sont verrouillées et s'éteindra lorsqu'elles seront déverrouillées.  
**REMARQUE** : Le bouton **Power** (mise en marche) peut toujours être utilisé lorsque la sècheuse est verrouillée.

**⚠ AVERTISSEMENT!**

Pour réduire les risques d'incendie, de choc électrique ou de blessures, veuillez lire les CONSIGNES DE SÉCURITÉ IMPORTANTES avant de faire fonctionner cet appareil.

Les caractéristiques et l'apparence de l'appareil montré dans ce manuel peuvent varier selon le modèle.

## Guide de démarrage rapide



## AVERTISSEMENTS SUPPLÉMENTAIRES POUR LES SÈCHEUSES À GAZ



 - Risque d'incendie ou d'explosion

- Le non-respect des avertissements de sécurité peut entraîner des blessures graves, des décès ou des dommages matériels.
- NE rangez PAS ou n'utilisez PAS d'essence ou d'autres vapeurs et liquides inflammables à proximité de cet appareil ou de tout autre appareil électroménager.
  - QUE FAIRE SI VOUS DÉTECTEZ UNE ODEUR DE GAZ :
    - N'ALLUMEZ aucun appareil.
    - NE TOUCHEZ à aucun interrupteur électrique. N'UTILISEZ aucun téléphone de votre domicile.
    - Évacuez la pièce, l'édifice ou la zone de tous ses occupants.
    - Appelez immédiatement votre fournisseur de gaz depuis le téléphone d'un voisin. Suivez les instructions de votre fournisseur de gaz.
    - Si vous ne pouvez joindre votre fournisseur de gaz, appelez les pompiers.
  - L'installation ainsi que toute réparation doivent être effectuées par un installateur ou une entreprise de service qualifiés, ou le fournisseur de gaz.

## Avertissement relatif à la proposition 65 de la Californie:



Ce produit contient un ou plusieurs produits chimiques reconnus par l'État de la Californie comme pouvant causer le cancer, des anomalies congénitales ou d'autres anomalies au système reproductif.

Les appareils à gaz peuvent causer une faible exposition à certaines de ces substances, y compris le benzène, le monoxyde de carbone, le formaldéhyde et la suie, qui sont principalement engendrés par la combustion incomplète du gaz naturel ou du GPL. L'exposition à ces substances peut être réduite par une ventilation adéquate de la sècheuse vers l'extérieur.

## CONSERVEZ CES INSTRUCTIONS

# CONSIGNES DE SÉCURITÉ IMPORTANTES. LISEZ TOUTES LES INSTRUCTIONS AVANT D'UTILISER VOTRE APPAREIL.

## CONSIGNES DE SÉCURITÉ IMPORTANTES

### **⚠ AVERTISSEMENT**

Pour réduire les risques d'incendie, d'explosion, de choc électrique ou de blessures lorsque vous utilisez votre appareil, suivez les mesures de sécurité de base, notamment:

- Lisez toutes les instructions avant d'utiliser l'appareil.
- NE faites PAS sécher d'articles qui ont été nettoyés, lavés, trempés ou tachés avec de l'essence, du solvant pour nettoyage à sec ou d'autres produits combustibles ou substances explosives, car ces derniers peuvent dégager des vapeurs qui pourraient s'enflammer ou exploser.
- NE placez PAS d'objets exposés à des huiles de cuisson dans votre sècheuse. Les objets contaminés par des huiles de cuisson peuvent causer une réaction chimique susceptible d'enflammer les articles dans la sècheuse.
- NE laissez PAS les enfants jouer sur ou à l'intérieur de cet appareil. La présence d'enfants près de cet appareil lorsqu'il est en marche doit faire l'objet d'une étroite supervision.
- Avant de mettre l'appareil au rebut ou hors service, retirez la porte de la sècheuse.
- NE mettez PAS la main dans l'appareil lorsqu'il est en mouvement.
- N'installez ou n'entreposez PAS cet appareil dans un endroit où il sera exposé aux intempéries.
- NE modifiez PAS les commandes.
- NE réparez ou NE remplacez PAS de pièces de cet appareil et NE tentez PAS d'effectuer une réparation, sauf si cette procédure est recommandée expressément dans les instructions d'entretien de l'utilisateur ou dans les instructions de réparation de l'utilisateur et que vous possédez les connaissances et les aptitudes requises pour le faire.
- N'utilisez PAS d'assouplissant ou de produits pour éliminer l'électricité statique à moins que cela ne soit recommandé par le fabricant de l'assouplissant.
- N'utilisez PAS sécher des articles contenant de la mousse et du caoutchouc ou tout autre matériau ayant une texture similaire au caoutchouc.
- Nettoyez le filtre à charpie avant ou après chaque séchage.
- N'utilisez PAS la sècheuse sans le filtre à charpie en place.
- Ne rangez pas de produits combustibles, d'essence ou d'autres liquides inflammables à proximité de la sècheuse. Maintenez la zone située à proximité de l'ouverture d'évacuation et la zone environnante libres de toute charpie, poussière et saleté.
- L'intérieur de l'appareil et le conduit d'évacuation doivent être nettoyés régulièrement par un technicien qualifié.
- Débranchez l'appareil ou fermez son disjoncteur avant de procéder à l'entretien, l'alimentation NE se coupe PAS lorsque vous appuyez sur les touches Power (alimentation) ou Start/Pause (mise en marche/pause).
- N'utilisez PAS cet appareil s'il est endommagé, s'il fonctionne mal, s'il est partiellement démonté ou si certaines de ses pièces manquent ou sont cassées, y compris le cordon d'alimentation ou la fiche.
- NE vaporisez JAMAIS de produit en aérosol à l'intérieur, sur ou à proximité de la sècheuse. N'utilisez aucun produit de nettoyage en vaporisateur lorsque vous nettoyez l'intérieur de la sècheuse. Ceci pourrait provoquer la formation de fumées dangereuses ou causer un choc électrique.
- Consultez la section sur le « Branchement électrique » des instructions d'installation pour obtenir les procédures de mise à la terre.

## CONSERVEZ CES INSTRUCTIONS



# Sécheuses

**Consignes de sécurité** ..... 2-3

**Mode d'emploi** ..... 4-11

Tableaux de bord ..... 5-7

Caractéristiques de la sècheuse ..... 8

Chargement et utilisation de la sècheuse ..... 10

Evacuation de la sècheuse ..... 11

**Conseils de dépannage** ..... 12, 13

**Service à la clientèle**

Service à la clientèle ..... 16

Garantie ..... 15

Inscrivez les numéros de modèle et de série ici :

N° de modèle \_\_\_\_\_

N° de série \_\_\_\_\_

Vous trouverez ces numéros sur une étiquette située à l'avant de la sècheuse, derrière la porte.



29-6016-3 06-17 GEA

Imprimé au Mexique

ENGLISH/FRANÇAIS

Manuel de l'utilisateur