

Installation Instructions

Dryer

If you have any questions, call **GE Appliances at 800.GE.CARES (800.432.2737)** or visit our Website at: **GEAppliances.com**
In Canada, call **800.561.3344** or visit **www.GEAppliances.ca**

BEFORE YOU BEGIN

Read these instructions completely and carefully.

- **IMPORTANT** – Save these instructions for local electrical inspector's use.
- **IMPORTANT** – Observe all governing codes and ordinances.
- Install the clothes dryer according to the manufacturer's instructions and local codes.
- **Note to Installer** – Be sure to leave these instructions with the Consumer.
- **Note to Consumer** – Keep these instructions for future reference.
- Clothes dryer installation must be performed by a qualified installer.
- This dryer must be exhausted to the outdoors.
- Before the old dryer is removed from service or discarded, remove the dryer door.
- Service information and the wiring diagram are located in the control console.
- Do not allow children on or in the appliance. Close supervision of children is necessary when the appliance is used near children.
- Proper installation is the responsibility of the installer.
- Product failure due to improper installation is not covered under the Warranty.
- Install the dryer where the temperature is above 50°F for satisfactory operation of the dryer control system.
- Remove and discard existing plastic or metal foil duct and replace with UL-listed duct.

WARNING

- Risk of Fire

- Clothes dryer installation must be performed by a qualified installer.
- Install the clothes dryer according to these instructions and local codes.
- **DO NOT** install a clothes dryer with flexible plastic venting materials. If flexible metal (semi-rigid or foil-type) duct is installed, it must be UL-listed and installed in accordance with the instructions found in "Connecting the Dryer to House Vent" later in this manual. Flexible venting materials are known to collapse, be easily crushed and trap lint. These conditions will obstruct dryer airflow and increase the risk of fire.
- **DO NOT** install or store this appliance in any location where it could be exposed to water or weather.
- To reduce the risk of severe injury or death, follow all installation instructions.
- Save these instructions. (Installers: Be sure to leave these instructions with the customer.)

FOR GAS DRYERS ONLY

In the Commonwealth of Massachusetts, the following installation instructions apply:

- Installation must be performed by a qualified or licensed contractor, plumber, or gasfitter qualified or licensed by the State.
- If using a ball valve, it shall be a T-handle type.
- A flexible gas connector, when used, must not exceed 4 feet (1.2 m).



31-3000245-3

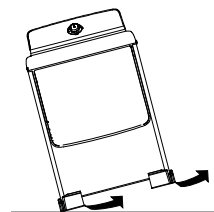
01-22 GEA

Installation Instructions

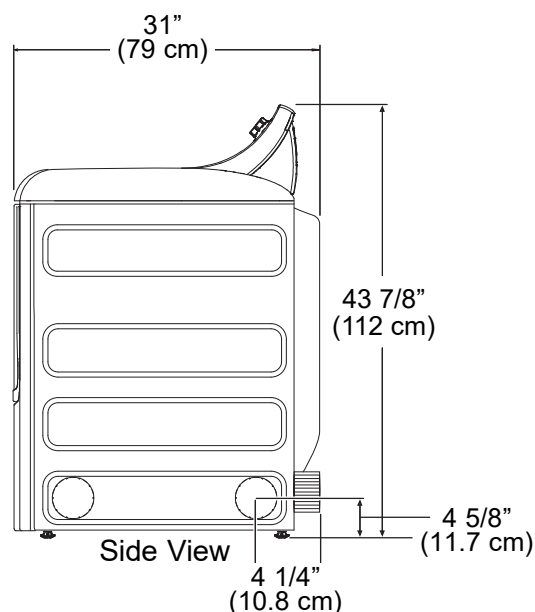
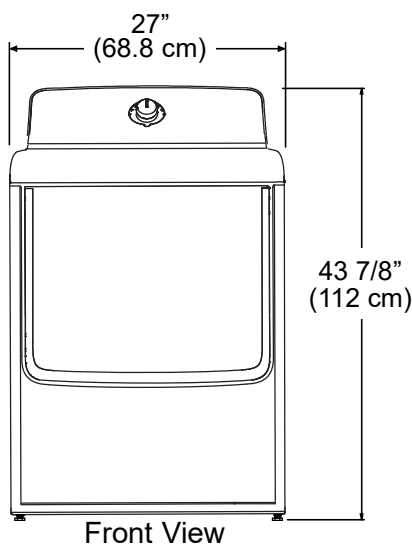
UNPACKING YOUR DRYER

Tilt the dryer sideways and remove the foam shipping pads by pulling at the sides and breaking them away from the dryer legs. Be sure to remove all of the foam pieces around the legs.

Remove the bag containing the literature.



DRYER DIMENSIONS



ACCESSORIES:

Order on-line at GEApplianceparts.com, 24 hours a day or by phone at **877.959.8688** during normal business hours.

Part Number	Accessory
PM14X10056	Dryer Door Opening Vent Brush
WX14X10007	LintEater™ Dryer Rotary Tube Brush
PM08X10085	Flexible Metal Dryer Transition Duct

STEAM WATER HOSES (for steam dryer models only):

GE Appliances strongly recommends the use of factory specified parts. These hoses are manufactured and tested to meet GE Appliances specifications.

GE Appliances strongly recommends the use of new water supply hoses. Hoses degrade over time and need to be replaced every 5 years to reduce the risk of hose failures and water damage.

Parts and Accessories

Order on-line at GEApplianceparts.com, 24 hours a day or by phone at **877.959.8688** during normal business hours.

Part Number	Accessory
WE25X20060	Complete Kit (hoses, Y-adapter, washers) or
WE49X25794	Kit (Short hose, Y-adapter, washers) and
WE1M847	Long Hose
OR SEPARATELY	
WE1M847	Long Hose and
WE1M848	Short Hose

Installation Instructions

REQUIREMENTS FOR ALCOVE OR CLOSET INSTALLATION

WARNING - Explosion Hazard

Keep flammable materials and vapors, such as gasoline, away from dryer.

Place dryer at least 18" (46 cm) above the floor for a garage installation.

Failure to do so can result in death, explosion, or fire.

- The dryer **MUST** be vented to the outdoors.
 - Minimum clearance between dryer cabinet and adjacent walls or other surfaces is:
 - 0" (0 cm) either side*
 - 1" (2,54 cm) front
 - 1" (2,54 cm) rear
 - 1" (2,54 cm) top
- *For improved performance, a 1/2" (12.7 mm) clearance is suggested on each side.
- The rear of the dryer should face a wall.
 - Consideration must be given to provide adequate clearance for installation and service.
 - Closet doors must be louvered or otherwise ventilated and have at least 60 square inches (387 cm²) of open area. If the closet contains both a washer and a dryer, doors must contain a minimum of 120 square inches (774 cm²) of open area.

NOTE: WHEN THE EXHAUST DUCT IS LOCATED AT THE REAR OF THE DRYER, THE CONFIGURATION OF THE DUCTING MAY REQUIRE GREATER CLEARANCE.

Gas Dryers Only:

- No other fuel burning appliance shall be installed in the same closet as a gas dryer.
- The dryer must be disconnected from the gas supply piping during pressure testing at pressures greater than 1/2 psi (3.5 kPa).
- A 1/8" (3.2 mm) NPT minimum plugged tapping, accessible for test gauge connection, must be installed immediately upstream of the gas supply connection to the dryer.

MINIMUM CLEARANCE OTHER THAN ALCOVE OR CLOSET INSTALLATION

Minimum clearance to combustible surfaces and for air opening are: 0" (0 cm) both sides*, 1" (2,54 cm) rear and 1" (2,54 cm) top.

*For improved performance, a 1/2" (12.7 mm) clearance is suggested on each side.

The rear of the dryer should face a wall.

Consideration must be given to provide adequate clearance for installation and service.

MOBILE OR MANUFACTURED HOME INSTALLATION

- Installation **MUST** conform to the MANUFACTURED HOME CONSTRUCTION AND SAFETY STANDARD, TITLE 24, PART 3280 or STANDARD FOR MOBILE HOMES CAN/CSA-Z240 MH, or, when such standards are not applicable, with AMERICAN NATIONAL STANDARD FOR MOBILE HOME, ANSI/NFPA NO. 501B.
- The dryer **MUST** be vented to the outdoors.
- The exhaust vent **MUST** be securely fastened to a non-combustible portion of the mobile home.
- The vent **MUST NOT** be terminated beneath a mobile or manufactured home.
- The vent duct material **MUST BE METAL**.
- KIT 14-D346-33 **MUST** be used to attach the dryer securely to the structure.
- The vent **MUST NOT** be connected to any other duct, vent or chimney.
- **DO NOT** use sheet metal screws or other fastening devices which extend into the interior of the exhaust vent.
- Provide an opening with a free area of at least 25 square inches (63 cm²) for introduction of outside air into the dryer room.
- See the sections for electrical connection information.

Installation Instructions

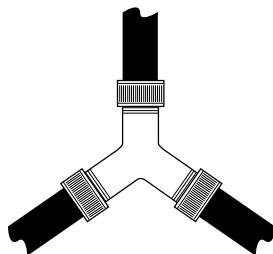
CONNECTING INLET HOSES (for steam dryer models only)

CONNECTING INLET HOSES

To produce steam, the dryer must connect to the cold water supply. Since the washer must also connect to the cold water, a “Y” connector is inserted to allow both inlet hoses to make that connection at the same time.

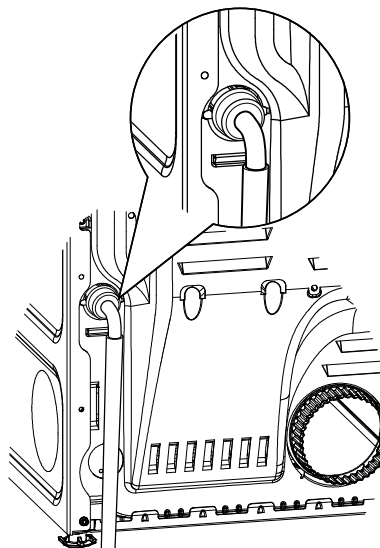
NOTE: Use new inlet hoses; never use old hoses.

1. Turn the cold water faucet off. Remove the washer inlet hose from the washer fill valve connector (cold).
2. Ensure the rubber flat washer is in place and attach one female coupling of the short hose provided onto the washer fill valve connector. Tighten by hand until firmly seated.
3. Attach one male end of the “Y” connector to the other female coupling of the short hose. Ensure the rubber flat washer is in place. Tighten by hand until firmly seated.



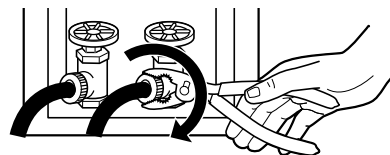
4. Insert the filter screen in the coupling of the **washer's** inlet hose. If a rubber flat washer is already in place remove it before installing the filter screen. Attach this coupling to one male end of the “Y” connector. Tighten by hand until firmly seated.
5. Ensure the rubber flat washer is in place and attach a 4 ft. (1.2 m) to 6 ft. (1.8 m) long water inlet hose (may need to be purchased separately) to one male end of the “Y” connector. Tighten by hand until firmly seated.
6. Ensure the rubber flat washer is in place and attach the other end of the **dryer's** long inlet hose to the fill valve connector at the bottom of the dryer back panel. Tighten by hand until firmly seated.

CONNECTING INLET HOSES (cont.)



7. Using pliers, tighten all the couplings with an additional two-thirds turn.

NOTE: Do not overtighten. Damage to the couplings may result.



8. Turn the water faucet on.
9. Check for leaks around the “Y” connector, faucet and hose couplings.

WATER SUPPLY REQUIREMENTS

Hot and cold water faucets **MUST** be installed within 42 in. (107 cm) of your washer's water inlet. The faucets **MUST** be 3/4" (19.1 mm) garden hose-type so inlet hoses can be connected. Water pressure **MUST** be between 10 and 120 pounds per square inch. Your water department can advise you of your water pressure.

NOTE: A water softener is recommended to reduce buildup of scale inside the steam generator if the home water supply is very hard.

Installation Instructions

CONNECTING A GAS DRYER (skip for electric dryers)

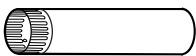
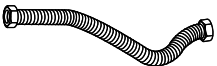
TOOLS YOU WILL NEED

- 10" (25.40 cm) Adjustable wrenches (2)
- Flat-blade screwdriver
- 8" (20.32 cm) Pipe wrench
- Slip-joint pliers
- Level



MATERIALS YOU WILL NEED

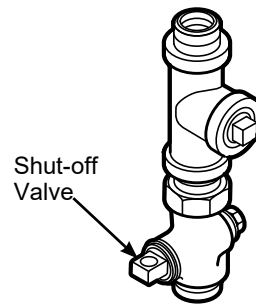
- 4" (10.2 cm) dia. metal elbow
- Gloves
- Pipe compound or PTFE tape
- Soap solution for leak detection
- Flexible gas line connector
- Exhaust hood
- Duct clamps (2) or Spring clamps (2)
- Duct tape
- Safety glasses
- Gas pipe adapters (2), elbow and pipe plug
- 4" (10.2 cm) dia. metal duct (recommended)
- 4" Cover Plate (Kit WE49X22606) (if needed)
- 4" (10.2 cm) dia., UL-listed flexible metal duct (if needed)



- Before beginning the installation, turn off the circuit breaker(s) or remove the dryer's circuit fuse(s) at the electrical box. Be sure the dryer cord is unplugged from the wall.



- Turn the dryer's gas shut-off valve in the supply line to the OFF position.



- Disconnect and discard old flexible gas connector and ducting material.



Installation Instructions

CONNECTING A GAS DRYER (cont.)

GAS REQUIREMENTS

⚠ WARNING - Explosion Hazard

- Use a new CSA International approved flexible gas supply line. Never reuse old flexible connectors.
- Install an individual manual shut-off valve within 6ft. of the dryer in accordance with the National Fuel Gas Code, ANSI Z223.1/NFPA 54.
- Securely tighten all gas connections.
- If connected to LP gas, have a qualified person make sure gas pressure **DOES NOT** exceed 13" (33 cm) water column.
- Examples of a qualified person include: licensed heating personnel, authorized gas company personnel, and authorized service personnel.
- Failure to do so can result in death, explosion, or fire.

- The installation must conform with local codes, or in the absence of local codes, with the National Fuel Gas Code, ANSI Z223.1/ NFPA 54, or the Natural Gas and Propane Installation Code, CSA B149.1.

GAS SUPPLY

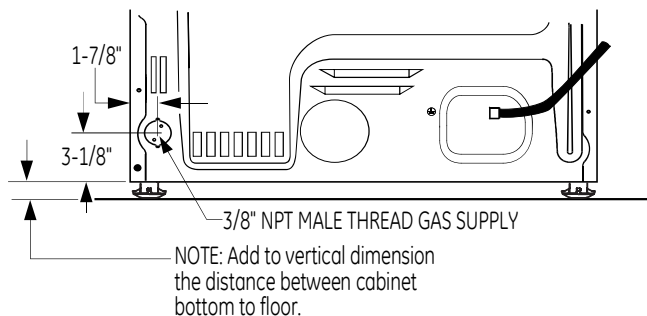
- A 1/8" (3.2 mm) National Pipe Taper thread plugged tapping, accessible for test gauge connection, must be installed immediately upstream of the gas supply connection to the dryer. Contact your local gas utility should you have questions on the installation of the plugged tapping.
- Supply line is to be 1/2" (12.7 mm) rigid pipe and equipped with an accessible shutoff within 6 feet (1.8 m) of, and in the same room with, the dryer.
- Use pipe thread compound appropriate for natural or LP gas or use PTFE tape.
- Connect flexible metal connector to dryer and gas supply.

⚠ WARNING - Fire Hazard

FOR USE WITH NATURAL GAS ONLY

Dryer as produced by manufacturer is to be used only with a natural gas supply. A manufacturer-supplied conversion kit is required to convert this dryer for propane gas supply. Use propane gas conversion kit WE25X217. Conversion must be made by properly trained and qualified personnel in accordance with local codes and ordinances.

DRYER GAS SUPPLY CONNECTION



You must use with this dryer a flexible metal connector (listed connector ANSI Z21.24 / CSA 6.10). The length of the connect shall not exceed 4 ft. (1.2 m).

ADJUSTING FOR ELEVATION

- Gas clothes dryers input ratings are based on sea level operation and need not be adjusted for operation at or below 2000 ft. (610 m) elevation. For operation at elevations above 2000 ft. (610 m), input ratings should be reduced at a rate of 4 percent for each 1000 ft. (305 m) above sea level.
- Installation must conform to local codes and ordinances or, in their absence, the NATIONAL FUEL GAS CODE, ANSI Z223.

Installation Instructions

CONNECTING A GAS DRYER (cont.)

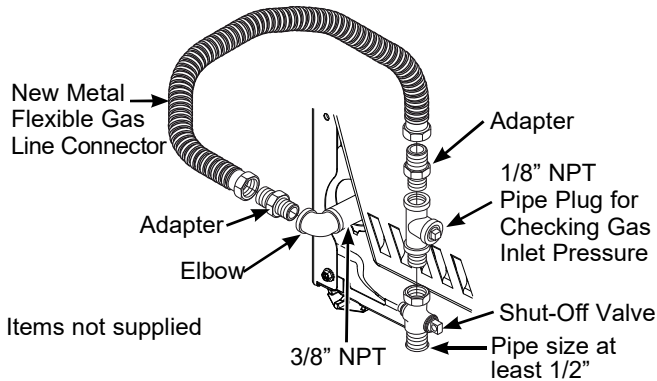
CONNECTING THE DRYER TO THE GAS SUPPLY

A Install a female 3/8" (9.6 mm) NPT elbow at the end of the dryer gas inlet.

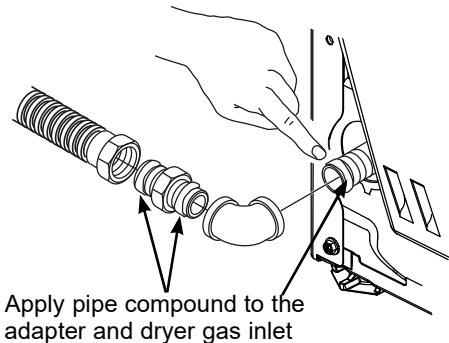
Install a 3/8" (9.6 mm) flare union adapter to the female elbow.

IMPORTANT: Use a pipe wrench to securely hold on to the end of the dryer gas inlet to prevent twisting the inlet.

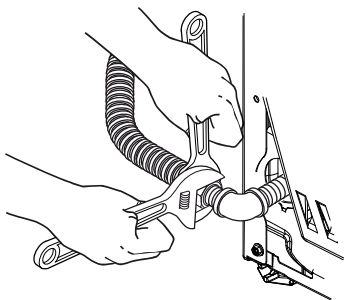
NOTE: Apply pipe compound or PTFE tape to the threads of the adapter and dryer gas inlet.



B Attach the flexible metal gas line connector to the adapter.



C Tighten the flexible gas line connection, using two adjustable wrenches.

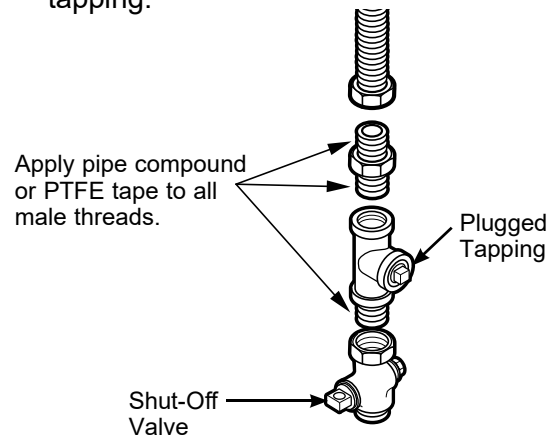


CONNECTING THE DRYER TO THE GAS SUPPLY (cont.)

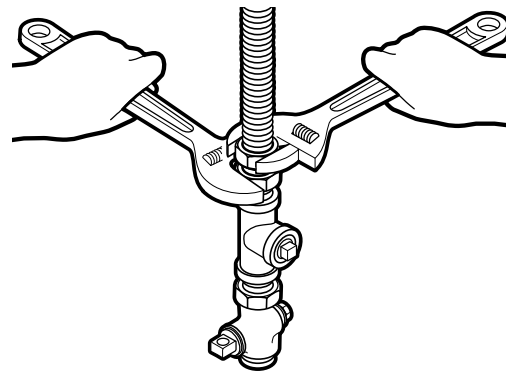
D Install a 1/8" (3.2 mm) NPT plugged tapping to the dryer gas line shut-off valve for checking gas inlet pressure.

Install a flare union adapter to the plugged tapping.

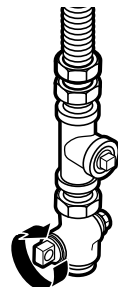
NOTE: Apply pipe compound or PTFE tape to the threads of the adapter and plugged tapping.



E Tighten all connections, using two adjustable wrenches. **Do not overtighten.**



F Open the gas shut-off valve.



Installation Instructions

CONNECTING A GAS DRYER (cont.)

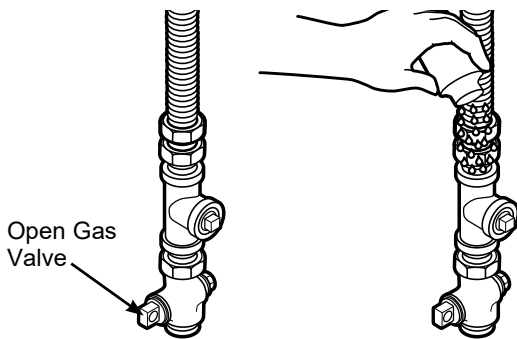
TEST FOR LEAKS

Never use an open flame to test for gas leaks.

Check all connections for leaks with soapy solution or equivalent.

Apply a soap solution. The leak test solution must not contain ammonia, which could cause damage to the brass fittings.

If leaks are found, close the valve, retighten the joint and repeat the soap test.



ELECTRICAL CONNECTION INFORMATION FOR GAS DRYERS

⚠ WARNING  - Electrical Shock Hazard

Plug into a grounded 3 prong outlet.

DO NOT remove ground prong.

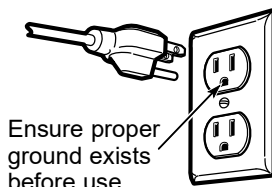
DO NOT use an adapter.

DO NOT use an extension cord.

Failure to do so can result in death, fire or electrical shock.

- Circuit – Individual properly polarized and grounded 15 or 20 amp circuit breaker or time-delay fuse.
- Power Supply – 2-wire plus ground, 120 Volt, single phase, 60 Hz, alternating current.

- Outlet Receptacle – Properly grounded 3-prong receptacle to be located so the power cord is accessible when the dryer is in an installed position. If a 2-prong receptacle is present, it is the owner's responsibility to have a licensed electrician replace it with a properly grounded 3-prong grounding type receptacle.



ELECTRICAL CONNECTION INFORMATION FOR GAS DRYERS (cont.)

- Dryer must be electrically grounded in accordance with local codes and ordinances, or in the absence of local codes, with the latest edition of the NATIONAL ELECTRICAL CODE, ANSI/NFPA NO. 70 or CANADIAN ELECTRICAL CODE, CSA C22.1. Check with a licensed electrician if you are not sure that the dryer is properly grounded.

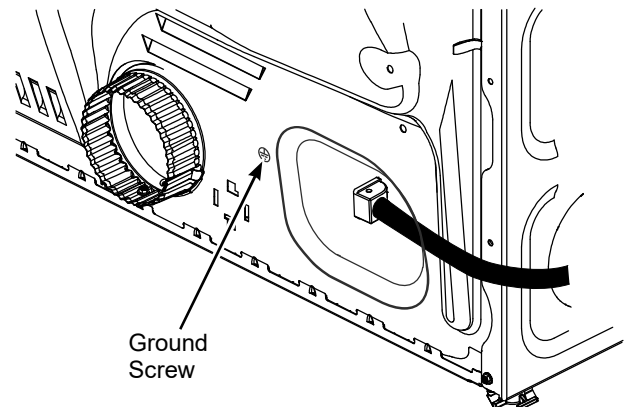
GROUNDING INSTRUCTIONS

This dryer must be grounded. In the event of a malfunction or breakdown, grounding will reduce the risk of electric shock by providing a path of least resistance for electric current. This dryer uses a cord having an equipment-grounding conductor and a grounding plug. The plug must be plugged into an appropriate outlet that is properly installed and grounded in accordance with all local codes and ordinances.

⚠ WARNING Improper connection of the equipment-grounding conductor can result in a risk of electric shock. Check with a qualified electrician, or service representative or personnel, if you are in doubt as to whether the appliance is properly grounded. **DO NOT** modify the plug on the power supply cord. If it will not fit the outlet, have a proper outlet installed by a qualified electrician.

SAVE THESE INSTRUCTIONS

- If required by local codes, an external 18 gauge or larger copper ground wire (not provided) may be added. Attach to dryer cabinet with a #8-18 x 1/2" (12.7 mm) sheet metal screw (available at any hardware store) to rear of dryer as illustrated.







Installation Instructions










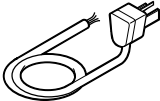

CONNECTING AN ELECTRIC DRYER

(Skip for gas dryers and if your dryer already has a power cord attached)

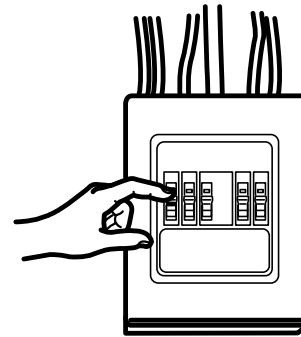
TOOLS YOU WILL NEED

- Slip-joint pliers 
- Flat-blade screwdriver 
- Phillips screwdriver 
- Level 

MATERIALS YOU WILL NEED

- 4" (10.2 cm) dia. metal elbow 
- Metal strain relief clamp (UL recognized) 
- 4" (10.2 cm) Duct clamps (2) or 4" (10.2 cm) spring clamps (2) 
- Safety glasses 
- 4" (10.2 cm) dia. metal duct (recommended) 
- 4" (10.2 cm) dia., UL-listed flexible metal duct (if needed) 
- Gloves 
- Exhaust hood 
- Duct tape 
- Dryer power cord kit (not provided with dryer)
UL rated 120/240V, 30A with 3 or 4 prongs. Identify the plug type as per the house receptacle before purchasing line cord. 
- 4" Cover Plate (Kit WE49X22606) (if needed) 

Before making the electrical connection, turn off the circuit breaker(s) or remove the dryer's circuit fuse(s) at the electrical box. Be sure the dryer cord is unplugged from the wall. NEVER LEAVE THE ACCESS COVER OFF THE TERMINAL BLOCK.



⚠ WARNING - Electrical Shock Hazard

Disconnect power supply before servicing.
Replace all parts and panels before operating.
Failure to do so can result in death or electrical shock.

POWER CORDS

GE Appliances strongly recommends the use of factory specified parts. Select the power cord to fit your installation requirements.

NOTE: If your dryer circuit is on a circuit protected by a GFCI breaker, then 3-wire installation is not permitted. House wiring and dryer must be configured for 4-wire.

Part Number	Type	Length	Amperage
WX9X2	3-Prong	4 ft. (1.2 m)	30
WX9X3	3-Prong	5 ft. (1.5 m)	30
WX9X4	3-Prong	6 ft. (1.8 m)	30
WX9X18	4-Prong	4 ft. (1.2 m)	30
WX9X19	4-Prong	5 ft. (1.5 m)	30
WX9X20	4-Prong	6 ft. (1.8 m)	30

Order on-line at GEApplianceparts.com today, 24 hours a day or by phone at 877.959.8688 during normal business hours. In Canada, visit your local GE Appliances parts distributor or call 800.661.1616 or GEAppliances.ca/en/products/parts-filters-accessories.

Installation Instructions

ELECTRICAL CONNECTION INFORMATION FOR ELECTRIC DRYERS

For electrical connections using a power cord:


NOTE: If your dryer circuit is on a circuit protected by a GFCI breaker, then 3-wire installation is not permitted. House wiring and dryer must be configured for 4-wire.

WARNING - Fire Hazard

Use a new UL-listed 240V 30 amp dryer power supply cord with closed ring terminals or spade terminals with upturned ends.
Use a UL-listed strain relief.
Disconnect power before making electrical connections.
Connect neutral wire (white or center wire) to center terminal.
Ground wire (green or bare wire) must be connected to green ground connector.
Connect remaining two supply wires to remaining two terminals.
Securely tighten all electrical connections.
Replace the terminal block cover.
Failure to do so can result in death, fire or electrical shock.

GROUNDING INSTRUCTIONS

For a grounded, cord-connected dryer: This dryer must be grounded. In the event of a malfunction or breakdown, grounding will reduce the risk of electric shock by providing a path of least resistance for electric current. This dryer uses a cord having an equipment-grounding conductor and a grounding plug. The plug must be plugged into an appropriate outlet that is properly installed and grounded in accordance with all local codes and ordinances.

 **WARNING** Improper connection of the equipment-grounding conductor can result in a risk of electric shock. Check with a qualified electrician, or service representative or personnel, if you are in doubt as to whether the appliance is properly grounded. **DO NOT** modify the plug on the power supply cord. If it will not fit the outlet, have a proper outlet installed by a qualified electrician.

SAVE THESE INSTRUCTIONS

WARNING - Electrical Shock Hazard

TO PREVENT ELECTRIC SHOCK, DISCONNECT POWER BEFORE SERVICING.

This dryer should be connected to an individual branch circuit with 10 gauge copper wire minimum through a 30 amp fuse or circuit breaker. **DO NOT** fuse neutral.
Use copper conductors only.

ELECTRICAL CONNECTION INFORMATION FOR ELECTRIC DRYERS


For direct wire connections:

WARNING - Fire Hazard

Use 10 gauge copper wire.
Use a UL-listed strain relief.
Disconnect power before making electrical connections.
Connect neutral wire (white or center wire) to center terminal.
Ground wire (green or bare wire) must be connected to green ground connector.
Connect remaining two supply wires to remaining two terminals.
Securely tighten all electrical connections.
Replace the terminal block cover.
Failure to do so can result in death, fire or electrical shock.

GROUNDING INSTRUCTIONS

For a permanently connected dryer: This dryer must be connected to a grounded metal, permanent wiring system, or an equipment-grounding conductor must be run with the circuit conductors and connected to the equipment-grounding terminal on the appliance.

 **WARNING** Improper connection of the equipment-grounding conductor can result in a risk of electric shock. Check with a qualified electrician, or service representative or personnel, if you are in doubt as to whether the appliance is properly grounded.

SAVE THESE INSTRUCTIONS

WARNING - Electrical Shock Hazard

TO PREVENT ELECTRIC SHOCK, DISCONNECT POWER BEFORE SERVICING.

This dryer should be connected to an individual branch circuit with 10 gauge copper wire minimum through a 30 amp fuse or circuit breaker. **DO NOT** fuse neutral.
Use copper conductors only.

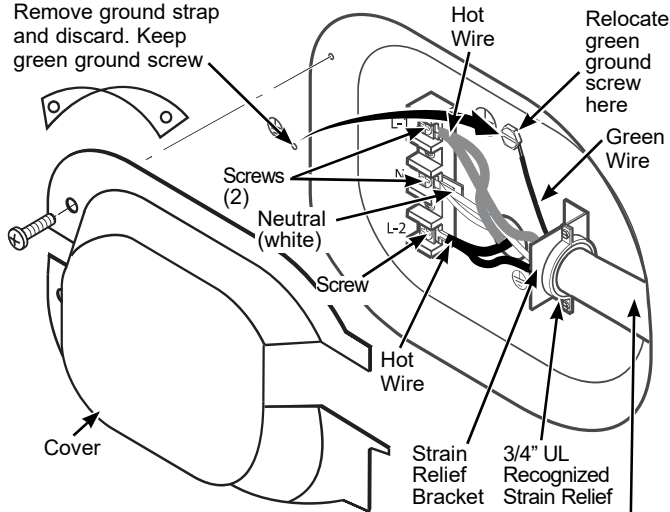
Installation Instructions

CONNECTING AN ELECTRIC DRYER (cont.)

CONNECTING DRYER USING 4-WIRE CONNECTION (MUST BE USED FOR MOBILE HOME INSTALLATION)

NOTE: Since January 1, 1996, the National Electrical Code requires that new constructions use a 4-wire connection to an electric dryer. A 4-wire cord must also be used where local codes do not permit grounding through the neutral. 3-wire connection is NOT for use on new construction.

Remove ground strap and discard. Keep green ground screw



4 #10 AWG minimum copper conductors or 120/240V 30A power supply cord kit marked for use with dryers and provided with closed loop or spade terminals with upturned ends (not supplied).

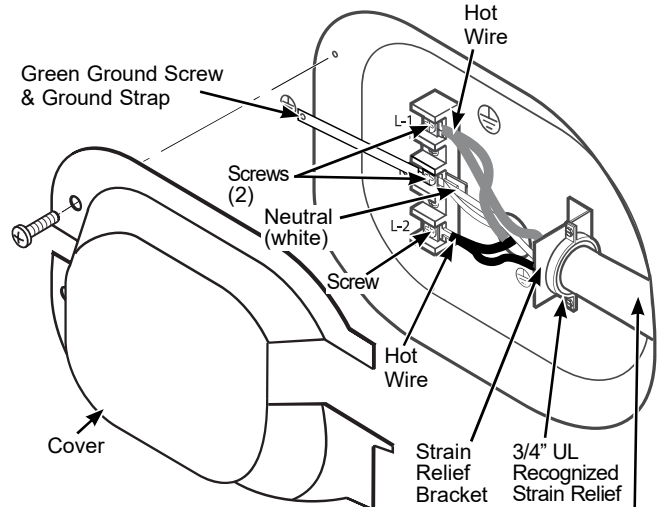
1. Turn off the circuit breaker(s) (30 amp) or remove the dryer's circuit fuse at the electrical box.
2. Be sure the dryer cord is unplugged from the wall receptacle.
3. Remove the power cord cover located at the lower back.
4. Remove and discard ground strap. Keep the green ground screw for Step 7.
5. Install 3/4" UL-recognized strain relief to power cord entry hole. Bring power cord through strain relief.
6. Connect power cord as follows:
 - A. Connect the 2 hot lines to the outer screws of the terminal block (marked L1 and L2).
 - B. Connect the neutral (white) line to the center of the terminal block (marked N).
7. Attach ground wire of power cord with the green ground screw (hole above strain relief bracket). Tighten all terminal block screws (3) securely.
8. Properly secure power cord to strain relief.
9. Reinstall the cover.

NEVER LEAVE THE COVER OFF OF THE TERMINAL BLOCK.

CONNECTING DRYER USING 3-WIRE CONNECTION

NOTE: If your dryer circuit is on a circuit protected by a GFCI breaker, then 3-wire installation is not permitted. House wiring and dryer must be configured for 4-wire.

If required, by local code, install external ground (not provided) to grounded metal, cold water pipe, or other established ground determined by a qualified electrician.



3 #10 AWG minimum copper conductors or 120/240V 30A power supply cord kit marked for use with dryers and provided with closed loop or spade terminals with upturned ends (not supplied).

3-wire Connection

Not for use in Canada.

DO NOT use for Mobile Home Installations.

NOT for use on new construction.

NOT for use on recreational vehicles.

NOT for use in areas where local codes prohibit grounding through the neutral conduction.

1. Turn off the circuit breaker(s) (30 amp) or remove the dryer's circuit fuse at the electrical box.
2. Be sure the dryer cord is unplugged from the wall receptacle.
3. Remove the power cord cover located at lower back.
4. Install 3/4" UL-recognized strain relief to power cord entry hole. Bring power cord through strain relief.
5. Connect power cord as follows:
 - A. Connect the 2 hot lines to the outer screws of the terminal block (marked L1 and L2).
 - B. Connect the neutral (white) line to the center of the terminal block (marked N).
6. Be sure ground strap is connected to neutral (center) terminal of block and to green ground screw on cabinet rear. Tighten all terminal block screws (3) securely.
7. Properly secure power cord to strain relief.
8. Reinstall the cover.

NEVER LEAVE THE COVER OFF OF THE TERMINAL BLOCK.

Installation Instructions

EXHAUSTING THE DRYER

⚠ WARNING - Fire Hazard

This dryer **MUST** be vented to the outdoors. Use only 4" (10.2 cm) rigid metal ducting for the home exhaust duct.

Use only 4" (10.2 cm) rigid metal, UL-listed flexible metal, or UL-listed metal foil dryer transition duct to connect the dryer to the home exhaust.

DO NOT use any plastic to vent the dryer, this includes the home exhaust duct, dryer transition duct, or within the dryer.

DO NOT use flexible metal or metal foil ducting for a home exhaust duct or within the dryer.

DO NOT exhaust into a chimney, kitchen exhaust, gas vent, wall, ceiling, attic, crawl space, or concealed space of a building.

DO NOT install a screen in or over the exhaust duct.

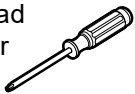
DO NOT install a booster fan in the exhaust duct.

DO NOT use duct longer than specified in the exhaust length table.

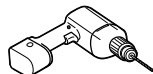
Failure to follow these instructions can result in death or fire.

TOOLS AND MATERIALS YOU WILL NEED TO INSTALL EXHAUST DUCT

Phillips-head screwdriver



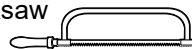
Drill with 1/8" drill bit (for bottom venting)



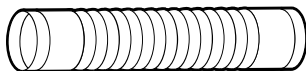
Duct tape or duct clamp



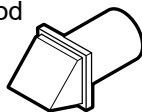
Hacksaw



Rigid or UL-listed flexible metal 4" (10.2 cm) duct



Vent hood



PARTS AVAILABLE FROM GEAPPLIANCEPARTS.COM OR LOCAL SERVICE ORGANIZATIONS

PM8X85 Outdoor exhaust hood

PM08X10085 8' Flexible metal clothes dryer transition duct with 2 clamps

WX08X10130 4" Dryer exhaust clamp

WE49X22606 Rear exhaust opening cover, for side or bottom vented dryers

CONNECTING THE DRYER TO HOUSE VENT

RIGID METAL TRANSITION DUCT

- For best drying performance, a rigid metal transition duct is recommended.
- Rigid metal transition ducts reduce the risk of crushing and kinking.

UL-LISTED FLEXIBLE METAL CLOTHES DRYER TRANSITION DUCT

- If rigid metal cannot be used, then UL-listed flexible metal clothes dryer transition duct (GE Appliances part – PM08X10085) can be used.
- Never install transition duct in walls, ceilings, floors or other enclosed spaces.
- Total length of transition duct should not exceed 8' (2.4 m).
- For many applications, installing elbows at both the dryer and the wall is highly recommended (see illustrations in next section). Elbows allow the dryer to sit close to the wall without kinking and/or crushing the transition duct, maximizing drying performance.
- Avoid resting the duct on sharp objects.

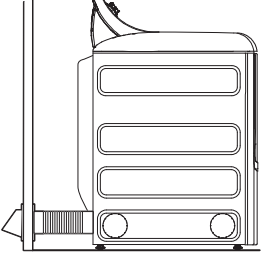
UL-LISTED FLEXIBLE METAL (FOIL-TYPE) TRANSITION DUCT

- In special installations, it may be necessary to connect the dryer to the home exhaust vent using flexible metal (foil-type) transition duct. UL-LISTED universal flexible dryer transition duct (GE Appliances parts – PM8X73 or WX8X73) may be used **ONLY** in installations where rigid metal or flexible metal transition ducting cannot be used **AND** where a 4" (10.2 cm) diameter can be maintained throughout the entire length of the transition duct.
- In Canada and the United States, only transition ducts that comply with "**UL 2158A STANDARD FOR CLOTHES DRYER TRANSITION DUCT**" shall be used.

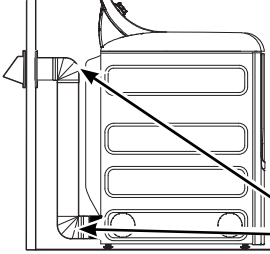
- Avoid resting the duct on sharp objects.
- For best drying performance:
 1. Slide one end of the duct over the clothes dryer outlet pipe.
 2. Secure the duct with a clamp.
 3. With the dryer in its permanent position, extend the duct to its full length. Allow 2" (5.08 cm) of duct to overlap the exhaust pipe. Cut off and remove excess duct. Keep the duct as straight as possible for maximum airflow.
 4. Secure the duct to the exhaust pipe with the other clamp.

Installation Instructions

EXHAUSTING THE DRYER (cont.)




• **DO** cut duct as short as possible and install straight into wall.

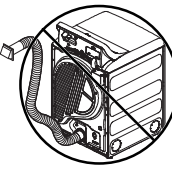


• **DO** use elbows when turns are necessary.

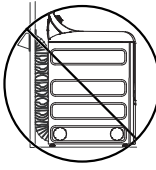
Elbows



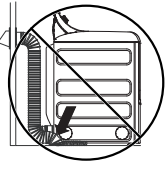
• **DO NOT** bend or collapse ducting. Use elbows if turns are necessary.



• **DO NOT** use excessive exhaust length. Cut duct as short as possible.



• **DO NOT** crush duct against the wall.



• **DO NOT** set dryer on duct.

EXHAUST LENGTH

Using exhaust longer than specified length will:

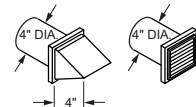
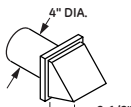
- Increase the drying times and the energy cost.
- Reduce the dryer life.
- Accumulate lint, creating a potential fire hazard.

The correct exhaust installation is **YOUR RESPONSIBILITY**.

Problems due to incorrect installation are not covered by the warranty.

The MAXIMUM ALLOWABLE length of the exhaust system depends upon the type of duct, number of turns, the type of exhaust hood (wall cap) and all conditions noted on the chart.

- Internal elbows added for side or bottom vent conversions must be included in the total elbow count.
- Any elbow greater than 45° should be treated as a 90° elbow; one elbow of 45° or less may be ignored.
- Two 45° elbows will be treated like one 90° elbow.
- For the side exhaust installations, add one 90° elbow to the chart.
- For every additional 90° elbow, reduce the allowable vent system length by 10 feet (3 m).
- When calculating the total vent system length, you must add all the straight portions and elbows of the system (including the transition duct).

RECOMMENDED MAXIMUM LENGTH		
Exhaust Hood Types		
	Recommended	Use only for short run installations
		

No. of 90° Elbows	Rigid Metal	Rigid Metal
0	120 Feet (36.6 m)	90 Feet (27.4 m)
1	100 Feet (30.5 m)	75 Feet (22.9 m)
2	85 Feet (25.9 m)	65 Feet (19.8 m)
3	70 Feet (21.3 m)	55 Feet (16.8 m)
4	60 Feet (18.3 m)	45 Feet (13.7 m)
5	55 Feet (16.8 m)	35 Feet (10.7 m)

Installation Instructions

EXHAUSTING THE DRYER (cont.)

EXHAUST SYSTEM CHECKLIST

HOOD OR WALL CAP

- Terminate in a manner to prevent back drafts or entry of birds or other wildlife.
- Termination should present minimal resistance to the exhaust airflow and should require little or no maintenance to prevent clogging.
- Wall caps must be installed at least 12" (30.5 cm) above ground level or any other obstruction with the opening pointed down.

SEPARATION OF TURNS

- For best performance, separate all turns by at least 4 ft. (1.2 m) of straight duct, including distance between last turn and dampened exhaust hood (wall cap).

SEALING OF JOINTS

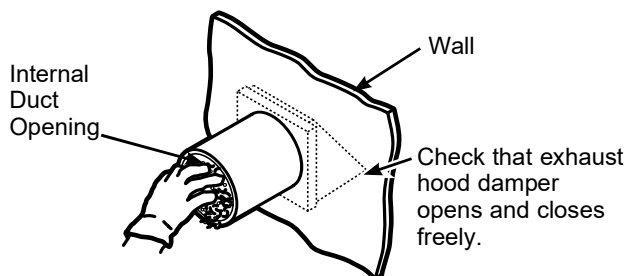
- All joints should be tight to avoid leaks. The male end of each section of duct must point away from the dryer.
- Duct joints should be made air- and moisture-tight by wrapping the overlapped joints with duct tape or aluminum tape.
- Do not assemble ductwork with any fasteners that extend into the duct. These fasteners can accumulate lint, creating a potential fire hazard.
- Horizontal runs should slope down towards the outdoors 1/4" (6.4 mm) per foot.
- Provide an access for inspection and cleaning of the exhaust system, especially at turns and joints. Exhaust system shall be inspected and cleaned at least once a year.

INSULATION

- Ductwork that runs through an unheated area or is near air conditioning should be insulated to reduce condensation and lint build-up.

BEFORE YOU BEGIN

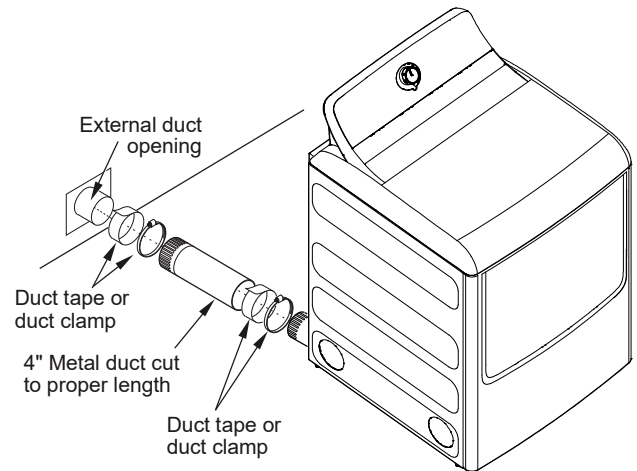
- Remove and discard existing plastic or metal foil duct and replace with UL-listed duct.
- Remove any lint from the wall exhaust opening.



STANDARD REAR EXHAUST

We recommend that you install your dryer before installing your washer. This will permit direct access for easier exhaust connection.

Slide the end of the exhaust duct on the back of the dryer and secure with duct tape or a hose clamp.

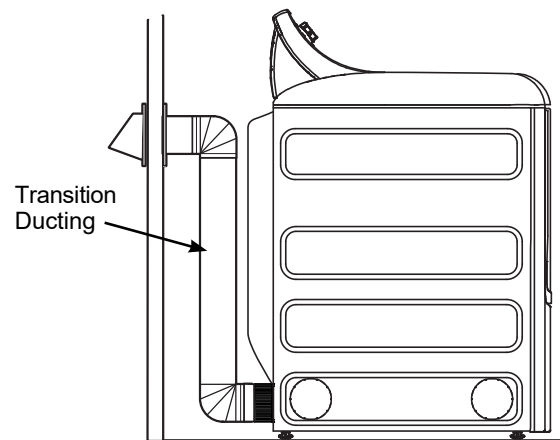


NOTE: We strongly recommend using rigid metal exhaust duct. However, if flexible ducting is used it must be UL-Listed metal, not plastic.

- For straight line installation, connect the dryer exhaust to the external exhaust hood using duct tape or clamp.

RECOMMENDED CONFIGURATION TO MINIMIZE EXHAUST BLOCKAGE

Using duct elbows will prevent duct kinking and collapsing.



Installation Instructions

EXHAUSTING THE DRYER (cont.)

SIDE OR BOTTOM VENTING

⚠ WARNING - Fire Hazard

Disconnect dryer from electrical supply.

Wear gloves and arm guards.

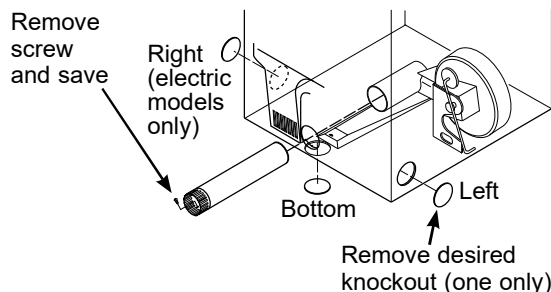
Close the back opening with cover plate (Kit WE49X22606).

Failure to do so may result in fire, electrical shock or lacerations.

Dryer Exhaust to right of the cabinet for Electric models only.

Dryer Exhaust to left of the cabinet for Gas and Electric models.

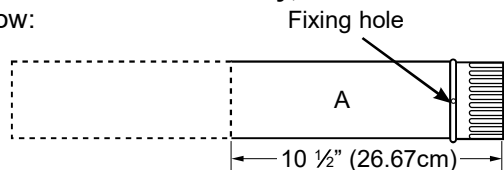
Dryer Exhaust to the bottom of cabinet for Gas and Electric models.



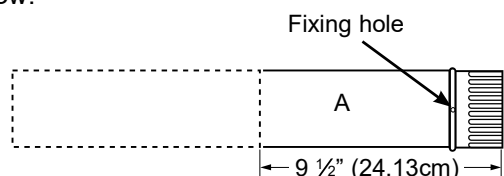
Detach and remove the right (electric models only), left or bottom knockout as desired. Remove the screw inside the dryer exhaust duct and save. Pull the duct out of the dryer.

Cut the duct as shown and keep portion A.

For 7.4 cu. ft. models only, use the dimension below:

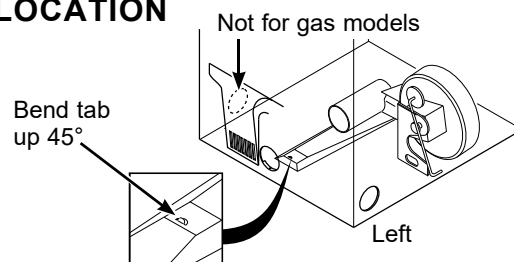


For 6.2 and 7.2 cu. ft. models only, use the dimension below:



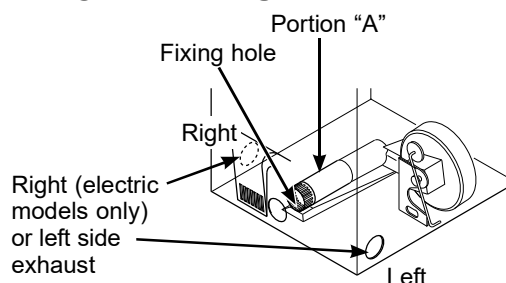
SIDE OR BOTTOM VENTING (cont.)

TAB LOCATION



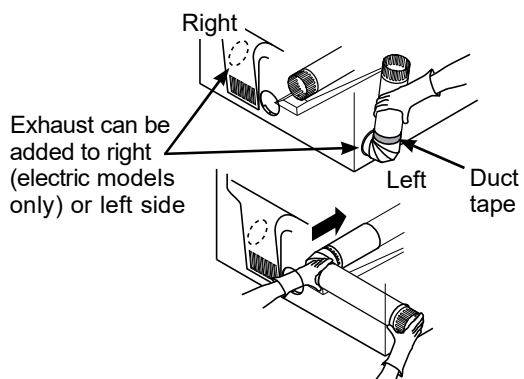
Through the rear opening, locate the tab in the middle of the appliance base. Lift the tab to about 45°, using a flat-blade screwdriver.

ADDING A NEW DUCT



Reconnect the cut portion (A) of the duct to the blower housing. Make sure that the shortened duct is aligned with the tab in the base. Use the screw saved previously to secure the duct in place through the tab on the appliance base.

ADDING ELBOW AND DUCT FOR EXHAUST TO RIGHT (ELECTRIC MODELS ONLY) OR LEFT SIDE OF CABINET



- Preassemble 4" elbow with 4" duct. Wrap duct tape around joint.
- Insert duct assembly, elbow first, through the side opening and connect the elbow to the dryer internal duct.

Be sure not to pull or damage the electrical wires inside the dryer when inserting the duct.

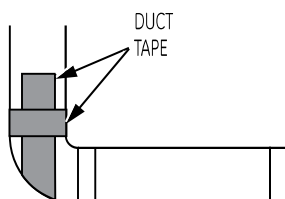
Installation Instructions

EXHAUSTING DRYER (cont.) FINAL SETUP

SIDE OR BOTTOM VENTING (cont.)

ADDING ELBOW AND DUCT FOR EXHAUST TO LEFT OR RIGHT SIDE OF CABINET (cont.)

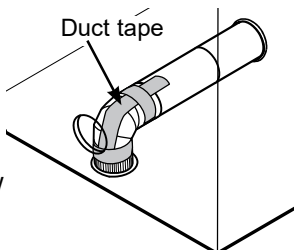
- Apply duct tape as shown on the joint between the dryer internal duct and the elbow, and also the joint between the elbow and the side duct.



Use 4" rigid metal ducting only inside the dryer. Internal duct joints must be secured with tape, otherwise they may separate and cause a safety hazard.

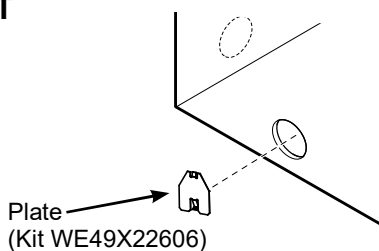
ADDING ELBOW FOR EXHAUST THROUGH BOTTOM OF CABINET

- Insert the elbow through the rear opening and connect it to the dryer internal duct.
- Apply duct tape as shown on the joint between the dryer internal duct and the elbow, and also the joint between the elbow and the bottom duct.



Internal duct joints must be secured with tape; otherwise, they may separate and cause a safety hazard.

ADDING COVER PLATE TO REAR OF CABINET

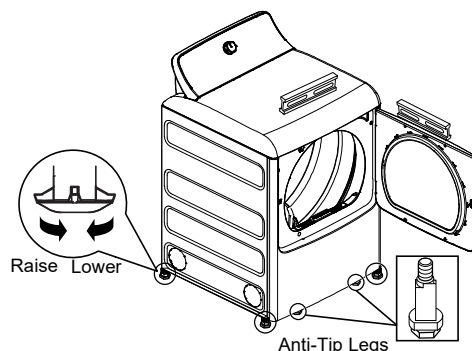


Connect standard metal elbows and ducts to complete the exhaust system. Cover back opening with the plate (Kit WE49X22606) which can be purchased from **GEApplianceparts.com** or a local service provider. Place dryer in final location.

NEVER LEAVE THE BACK OPENING WITHOUT THE PLATE. (Kit WE49X22606)

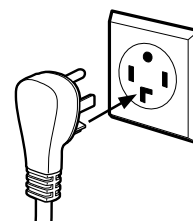
1 LEVEL THE DRYER

Stand the dryer upright near the final location and adjust the leveling legs at the corners to ensure the dryer is level side-to-side and front-to-back. Then, adjust the two anti-tip legs at the front inner corners, taking care that they are touching the floor to avoid unit tip over. The installation is not complete until this process is finished.



2 PLUG DRYER IN

Ensure proper ground exists before use.



3 DRYER START-UP

Press the **Power** button.



NOTE: If the dryer has been exposed to temperatures below freezing for an extended period of time, allow it to warm up before pressing **Power**. Otherwise, the display will not come on. The dryer is now ready for use. (appearance will vary)

⚠ WARNING - Electrical Shock Hazard

Disconnect power supply before servicing. Replace all parts and panels before operating. Failure to do so can result in death or electrical shock.

⚠ WARNING - Shock Hazard

Certain internal parts are intentionally not grounded and may present a risk of electric shock only during servicing.

Service personnel – DO NOT contact the following parts while the appliance is energized: drum light, door switch, main electronic board, igniter, thermostats, flame detector or mica heater.

Installation Instructions

REVERSING THE DOOR (OPTIONAL)

ABOUT REVERSING THE DOOR

IMPORTANT NOTES:

- Read the instructions all the way through before starting.
- Handle parts carefully to avoid scratching paint.
- Set screws down by their related parts to avoid using them in the wrong places.
- Provide a non-scratch work surface for the door.
- Normal completion time to reverse the door swing is 30–60 minutes.

IMPORTANT:

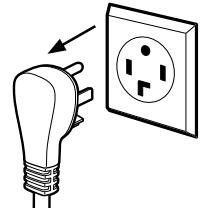
Once you begin, do not move the cabinet until door swing reversal is completed. These instructions are for changing the hinges from the right side to the left side - if you ever want to switch them back to the right side, follow these same instructions and reverse all references to the left and right.

Tools needed:

- Quadrex #1 bit screwdriver otherwise standard #2 Phillips screwdriver
- Tape-tipped putty knife
- Small flat blade screwdriver

Before you start

Unplug the dryer from its electrical outlet.



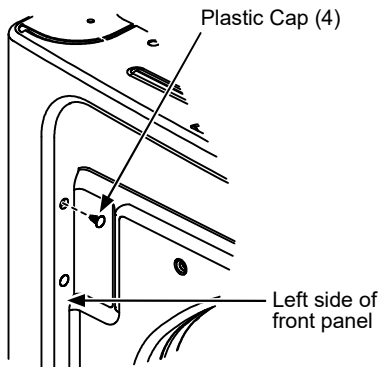
Installation Instructions

REVERSING THE DOOR (OPTIONAL)

Choose the **REVERSING THE DOOR** instructions **A** or **B** for your model.

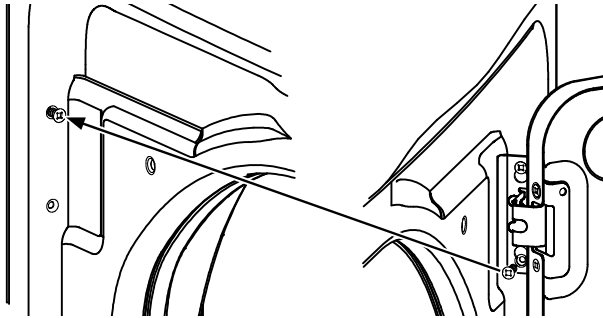
A MODELS WITHOUT FABRIC REFRESH FEATURE

- 1 Open the door approximately 130°. With a putty knife, remove the 4 plastic caps located along the left side of the front panel and set them aside.

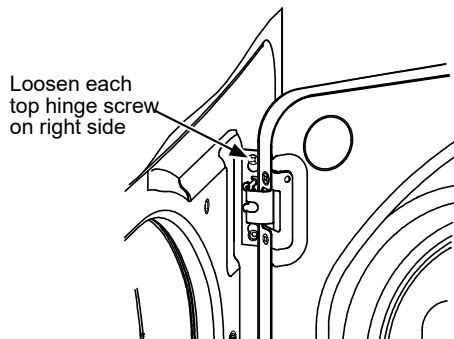


- 2 Remove the bottom screw from each hinge (right side) and partially insert them into each top hinge hole on the left side.

NOTE: All 4 front panel hinge screws will now be in the top hinge holes - 2 on the left and 2 on the right.

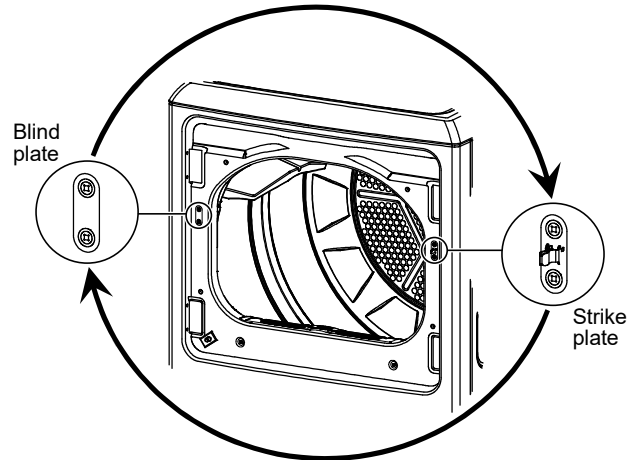


- 3 Loosen each top hinge screw on right side. Remove the door and place it on a protective flat surface to avoid any damage.

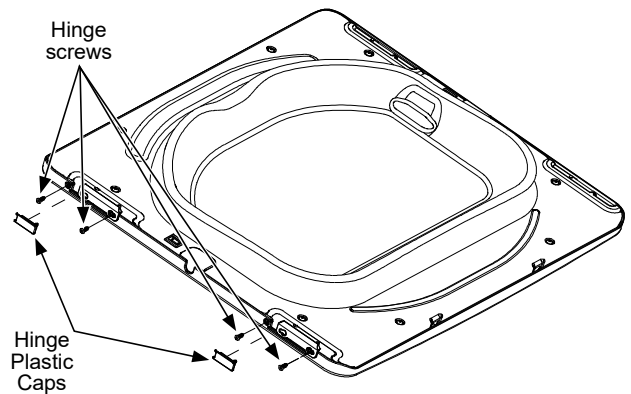


A MODELS WITHOUT FABRIC REFRESH FEATURE (cont.)

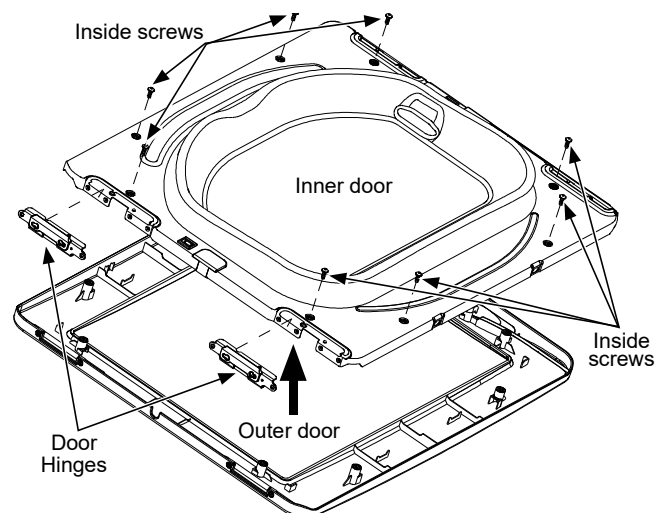
- 4 Remove both the blind plate and the strike plate and install them in the opposite positions.



- 5 Remove the 2 hinge plastic caps and 4 hinge screws.



- 6 Remove the 8 inside screws. Lift the inner door upwards using a flat blade screwdriver. Remove the 2 door hinges.

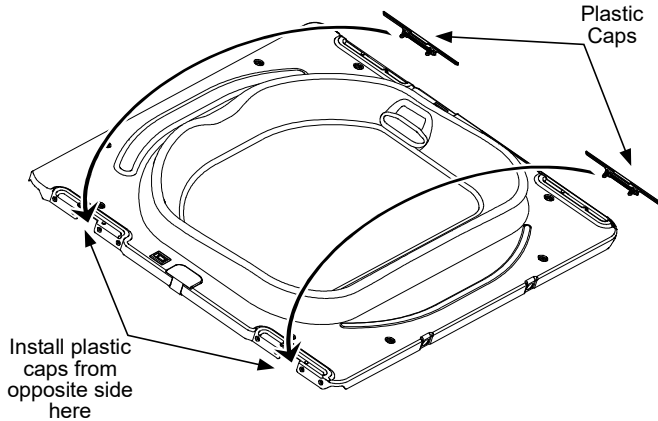


Installation Instructions

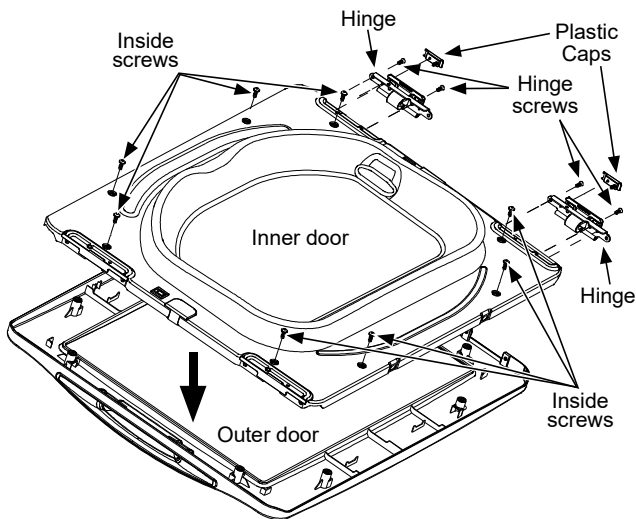
REVERSING THE DOOR (OPTIONAL) (cont.)

A MODELS WITHOUT FABRIC REFRESH FEATURE (cont.)

- 7 Remove and swap the two plastic caps onto the opposite side.

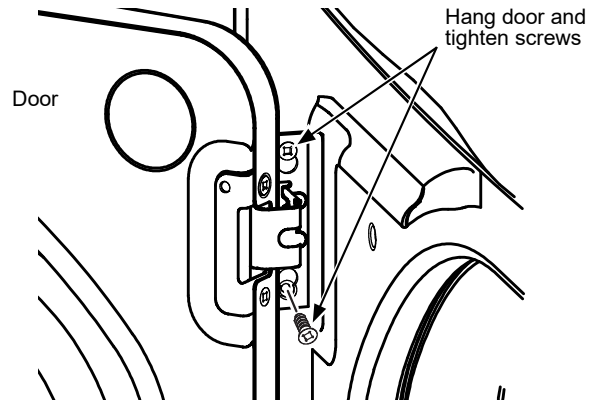


- 8 Rotate the outer door 180°. Place hinges into position, making sure you mount the hinges on the side opposite the pocket. Mount the inner door back into the outer door frame and secure with screws removed in step 6. Screw the door hinges in and insert the hinge caps.

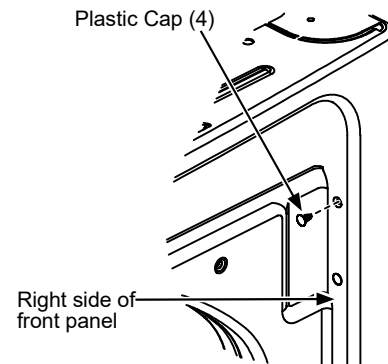


A MODELS WITHOUT FABRIC REFRESH FEATURE (cont.)

- 9 Mount the assembled door on the 2 upper left side hinge screws installed in step 2. Move the hinge screws loosened in step 2 into the lower left side screw holes and firmly tighten all 4 screws.



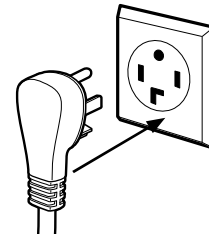
- 10 Install the 4 plastic caps removed in step 1 into the 4 right side front panel holes.



NOTE: To return the door to the original setup, follow these instructions, swapping "left" and "right".

When you finish

Plug the dryer back into its electrical outlet.

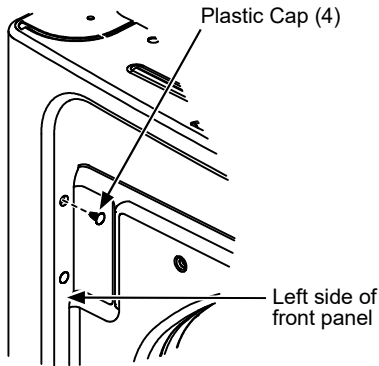


Installation Instructions

REVERSING THE DOOR (OPTIONAL)

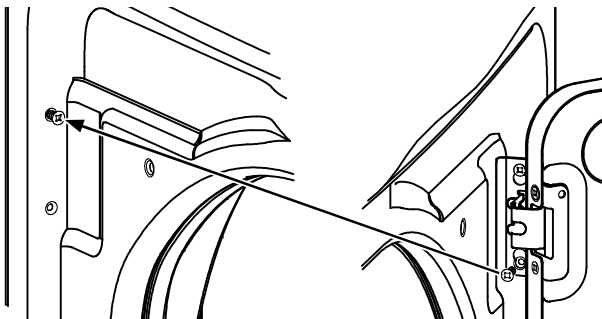
B MODELS WITH FABRIC REFRESH FEATURE

- 1 Open the door approximately 130°. With a putty knife, remove the 4 plastic caps located along the left side of the front panel and set them aside.

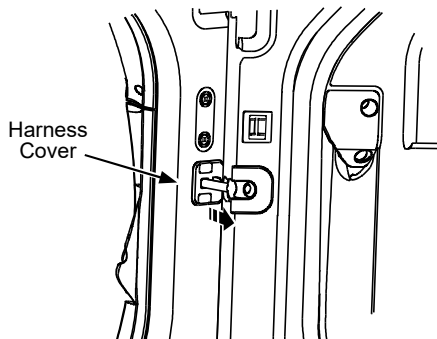


- 2 Remove the bottom screw from each hinge (right side) and partially insert them into each top hinge hole on the left side.

NOTE: All 4 front panel hinge screws will now be in the top hinge holes - 2 on the left and 2 on the right.

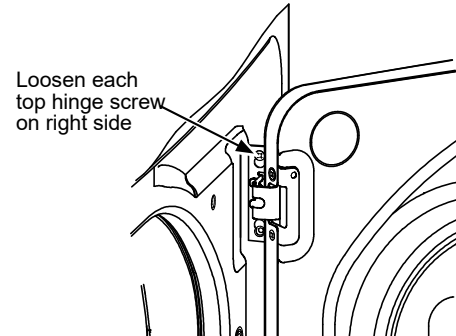


- 3 Use a small flat blade screwdriver to remove the harness cover from the front panel.

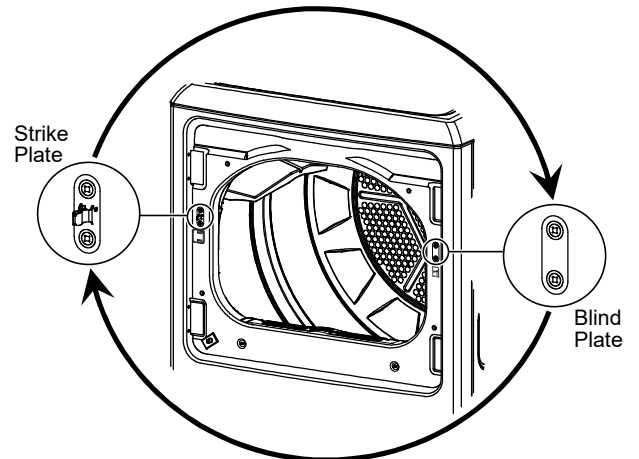


B MODELS WITH FABRIC REFRESH FEATURE (cont.)

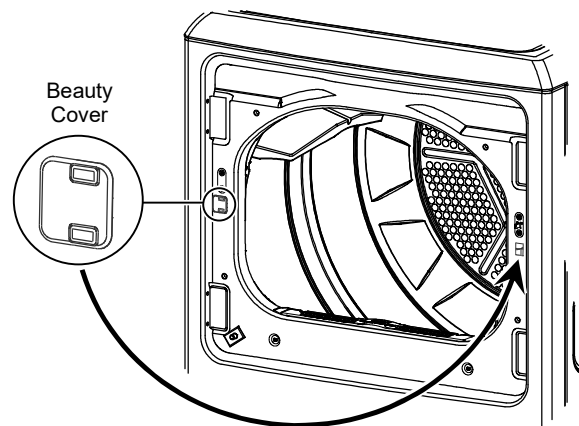
- 4 Loosen each top hinge screw on right side. Remove the door and place it on a protective flat surface to avoid any damage.



- 5 Remove both the blind plate and the strike plate and install them in the opposite positions.



- 6 Remove the plastic beauty cover and install it onto the other side of the front panel.

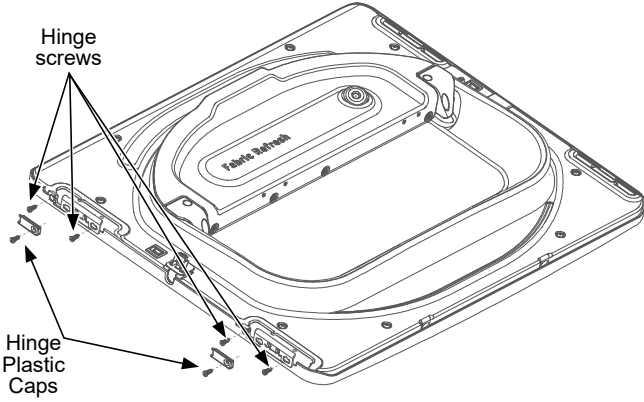


Installation Instructions

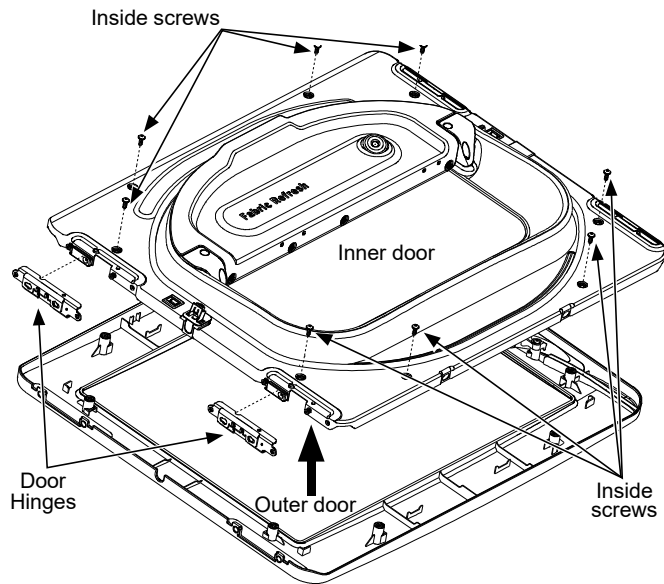
REVERSING THE DOOR (OPTIONAL) (cont.)

B MODELS WITH FABRIC REFRESH FEATURE (cont.)

- 7 Remove the 2 hinge plastic caps and 4 hinge screws.



- 8 Remove the 8 inside screws. Lift the inner door upwards using a flat blade screwdriver. Remove the 2 door hinges.

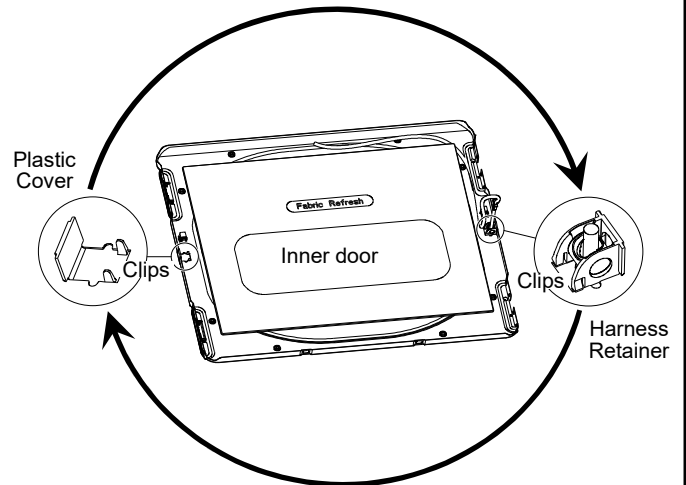


B MODELS WITH FABRIC REFRESH FEATURE (cont.)

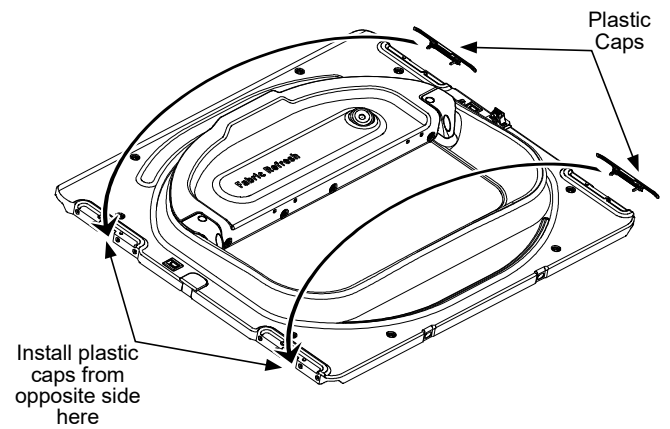
- 9 Rotate the Inner door 180°.

Detach the harness retainer, by squeezing its clips and pulling it out. Rotate it and swap it onto the opposite side. **IMPORTANT:** Route its harness behind the glass.

Remove the plastic cover, by squeezing its clips and pulling it out. Rotate it and swap it onto the opposite side.



- 10 Remove and swap the two plastic caps onto the opposite side.

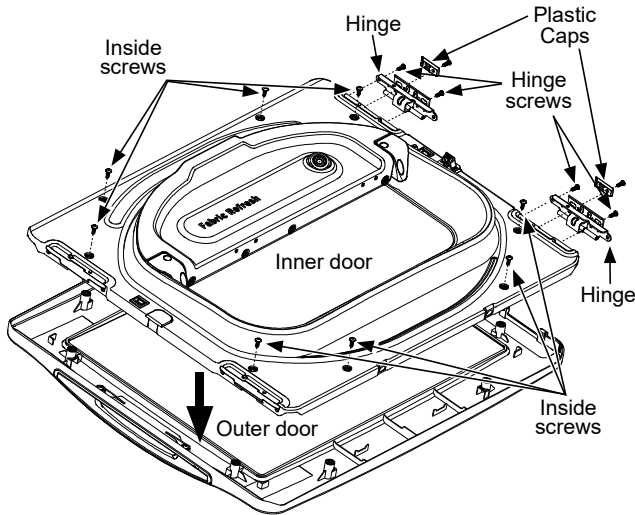


Installation Instructions

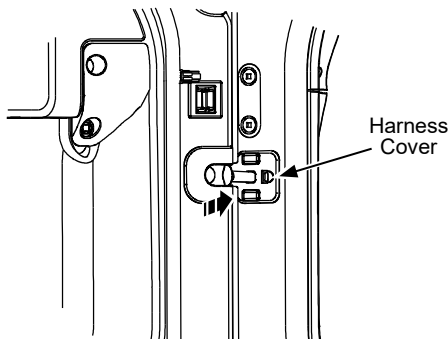
REVERSING THE DOOR (OPTIONAL)

B MODELS WITH FABRIC REFRESH FEATURE (cont.)

- 11 Rotate the outer door 180°. Place hinges into position, making sure you mount the hinges on the side opposite the pocket. Mount the inner door back into the outer door frame and secure with screws removed in step 8. Screw the door hinges in and insert the hinge caps.

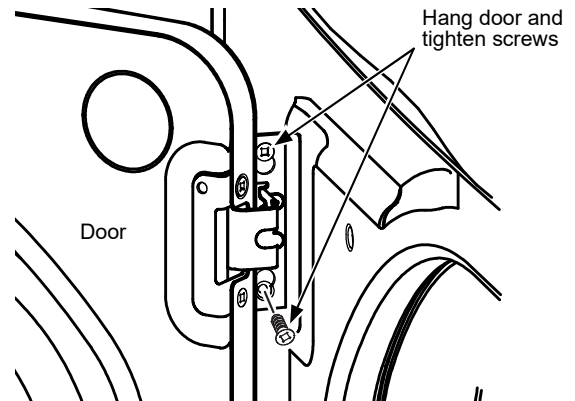


- 12 Install the harness cover onto the front panel.

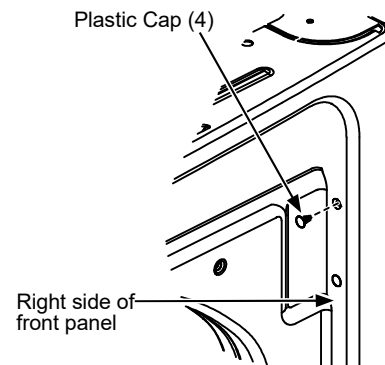


B MODELS WITH FABRIC REFRESH FEATURE (cont.)

- 13 Mount the assembled door on the 2 upper left side hinge screws installed in step 2. Move the hinge screws loosened in step 2 into the lower left side screw holes and firmly tighten all 4 screws.



- 14 Install the 4 plastic caps removed in step 1 into the 4 right side front panel holes.



NOTE: To return the door to the original setup, follow these instructions, swapping "left" and "right".

When you finish

Plug the dryer back into its electrical outlet.

