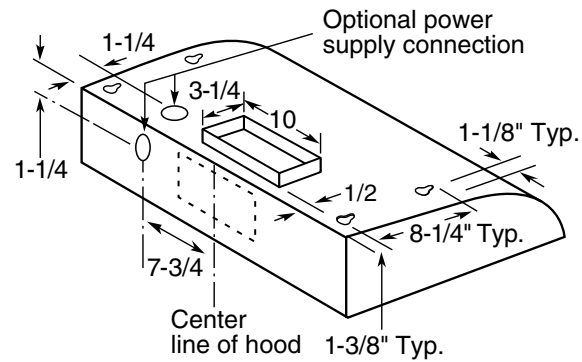
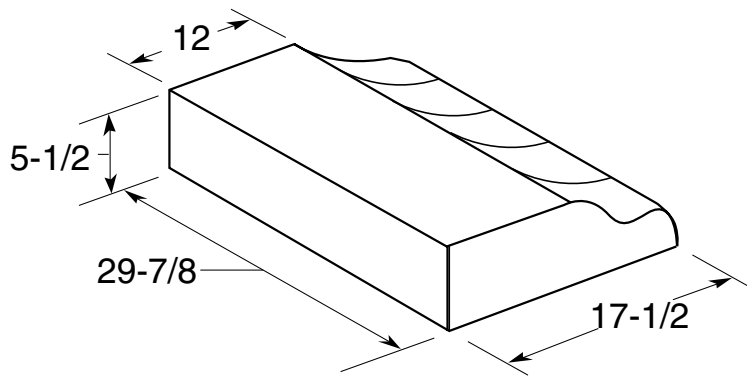




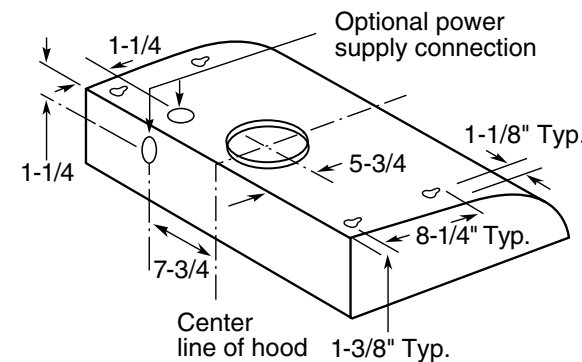
GE Appliances

JV338H – GE® Standard Range Hood

Dimensions (in inches)



Refer to this drawing for rectangular exhaust option.
Exhaust outlet connects to 3-1/4" x 10" rectangular duct. Vent top or rear. Includes rectangular damper.



Refer to this drawing for round exhaust option.
Exhaust outlet connects to 7" diameter duct. Vent top only. Round damper accessory. JXDA22, available at additional cost.

Amp Rating	
120V	2.5

WB02X9381 replacement grease filter and WB02X10700 replacement charcoal filter are available for additional cost. Call toll-free 800.626.2002.

JXHC1 Cord Kit: Allows a receptacle in the cabinet over the range to accommodate either an over-the-range microwave oven or a standard hood.

Installation Information: Before installing, consult installation instructions, packed with product, for current dimensional data. Light bulb(s) not included.

Specification Revised 5/04

321448

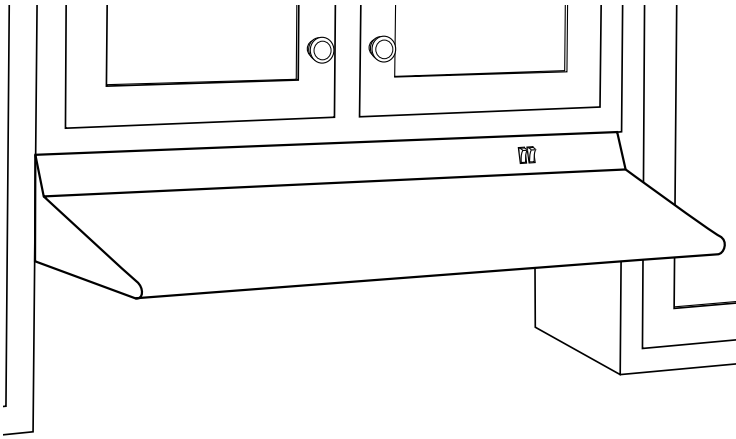


For answers to your Monogram,® GE Profile™ or GE® appliance questions, visit our website at GEAppliances.com or call GE Answer Center® service, 800.626.2000.



GE Appliances

JV338H – GE® Standard Range Hood



Features and Benefits

- Vented – Effectively pulls smoke and vapors out of the cooking area and vents them outside through an external wall.
- Vertical and rear exhaust – Provides the option of connecting duct work to either the rear or the top of the hood.
- Cooktop light – Provides light to illuminate cooking surface below hood.
- Removable grease filter – Durable filters can be removed for easy cleaning and maintenance.
- Rectangular ducting – Hood is designed to fit standard rectangular duct work.
- Damper Included
- Model JV338HWW – White on white
- Model JV338HCC – Bisque on bisque