



Range Hoods

Hottes de cuisinière

www.GEAppliances.ca

www.electromenagersge.ca

Owner's Manual and Installation Instructions

PVWC924	PVWG930
PVWC930	PVWT930
PVWS930	

Safety Instructions	1, 2
Operating Instructions	3, 4
Carbon Filter	3, 4
Grease Filter	3
Halogen Light Bulbs	4
Care and Cleaning	5, 6
Charcoal Filter	5
Grease Filter	5
Hood Lights	6
Stainless Steel Surfaces	6
Installation Instructions	7-14
Troubleshooting Tips	15
Consumer Support	
Consumer Support	19
Product Registration	16
Warranty	18

Write the model and serial numbers here:

Model # _____

Serial # _____

You can find them on a label on the back wall of the hood, behind the removable mesh filters.

Manuel de l'utilisateur et instructions d'installation

PVWC924	PVWG930
PVWC930	PVWT930
PVWS930	

Sécurité	20, 21
Utilisation	22, 23
Ampoules halogène	23
Filtre à charbon	22, 23
Filtre à graisses	22, 23
Entretien et nettoyage	24, 25
Filtre à charbon	24
Filtre à graisses	24
Lampes de la hotte	25
Surfaces en acier inoxydable	25
Installation	26 à 33
Dépannage	34
Service à la clientèle	
Enregistrement du produit	16
Garantie	36
Service à la clientèle	37

Inscrivez ici les numéros de modèle et de série :

N° de modèle _____

N° de série _____

Ces numéros se trouvent sur une étiquette située à l'arrière de la hotte, derrière les filtres à treillis amovibles.

350A4502P736 11-12 ATS

**IMPORTANT SAFETY INSTRUCTIONS.
FOR RESIDENTIAL USE ONLY.
READ AND SAVE THESE INSTRUCTIONS.
PLEASE READ ENTIRE INSTRUCTIONS BEFORE PROCEEDING.**

- **IMPORTANT:** Save these Instructions for the Local Electrical Inspectors use.
- **INSTALLER:** Please leave these Instructions with this unit for the owner.
- **OWNER:** Please retain these instructions for future reference.

- Take care when using cleaning agents or detergents.
- Suitable for use in household cooking area.
- **WARNING** - To reduce the risk of fire or electric shock, do not use this fan with any Solid-State Speed Control Device.
- **CAUTION** - To reduce risk of fire and to properly exhaust air, be sure to duct air outside – Do not vent exhaust air into spaces within walls or ceilings or into attics, crawl spaces, or garages.
- **CAUTION** - For general ventilating use only. Do not use to exhaust hazardous or explosive materials and vapors.

- **CAUTION** - To avoid motor bearing damage and noisy and/or unbalanced impellers, keep drywall spray, construction dust, etc. off power unit.
- **CAUTION** - Please read specification label on product for further information and requirements.
- **WARNING** – TO REDUCE THE RISK OF FIRE, ELECTRIC SHOCK, OR INJURY TO PERSONS, OBSERVE THE FOLLOWING:
 - A. Use this unit only in the manner intended by the manufacturer. If you have questions, contact the manufacturer.
 - B. Before servicing or cleaning unit, switch power off at service panel and lock the service disconnecting means to prevent power from being switched on accidentally. When the service disconnecting means cannot be locked, securely fasten a prominent warning device, such as a tag, to the service panel.

- **WARNING - TO REDUCE THE RISK OF A RANGE TOP GREASE FIRE:**
 - A. Never leave surface units unattended at high settings. Boilovers cause smoking and greasy spillovers that may ignite. Heat oils slowly on low or medium settings.
 - B. Always turn hood ON when cooking at high heat or when flambeing foods (i.e. Crepes Suzette, Cherries Jubilee, Peppercorn Beef Flambe).
 - C. Clean ventilating fans frequently. Grease should not be allowed to accumulate on fan or filter.
 - D. Use proper pan size. Always use cookware appropriate for the size of the surface element.
 - E. Keep fan, filters and grease laden surface clean.
 - F. Use high range setting on range only when necessary. Heat oil slowly on low to medium setting.
 - G. Don't leave range unattended when cooking.
 - H. Always use cookware and utensils appropriate for the type and amount off food being prepared.

- **WARNING** – TO REDUCE THE RISK OF INJURY TO PERSONS IN THE EVENT OF A RANGE TOP GREASE FIRE, OBSERVE THE FOLLOWING^a:
 - A. SMOTHER FLAMES with a close-fitting lid, cookie sheet, or metal tray, then turn off the burner. BE CAREFUL TO PREVENT BURNS. If the flames do not go out immediately, EVACUATE AND CALL THE FIRE DEPARTMENT.
 - B. NEVER PICK UP A FLAMING PAN – You may be burned.
 - C. DO NOT USE WATER, including wet dishcloths or towels – a violent steam explosion will result.
 - D. Use an extinguisher ONLY if:
 1. You know you have a Class ABC extinguisher, and you already know how to operate it.
 2. The fire is small and contained in the area where it started.
 3. The fire department is being called.
 4. You can fight the fire with your back to an exit.
- ^aBased on “kitchen firesafety tips” published by NFPA.

Proper maintenance of the Range Hood will assure proper performance of the unit.

- **WARNING** - UNDER CERTAIN CIRCUMSTANCES DOMESTIC APPLIANCES MAY BE DANGEROUS.
 - A. Do not check filters with hood working.
 - B. Do not touch the lamps after a prolonged use of the appliance.
 - C. No food must be cooked flambè underneath the hood.
 - D. The use of an unprotected flame is dangerous for the filters and could cause fires.
 - E. Watch constantly the fried food in order to avoid the cooking oil flares up.
 - F. Before performing any maintenance operation, disconnect the hood from the electrical service.
- The manufacturers will not to accept any responsibility for eventual damages, because of failure to observe the above instructions.

Safety Instructions
Operating Instructions
Care and Cleaning
Troubleshooting Tips
Consumer Support

OPERATING INSTRUCTIONS

Safety Instructions

Operating Instructions

Care and Cleaning

Troubleshooting Tips

Consumer Support

- If the apparatus is equipped with the following controls (Fig.10):

Push-button A = On/off lights switch.

Push-button B = On/off cooker hood switch. The appliance switches on at speed level 1, If the cooker hood is on depress the push-button for 2 sec. to switch off the cooker hood. If the cooker hood is at speed level 1 it will not be necessary to depress the push-button to switch the cooker hood off. Decreases the motor speed.

Display C = Indicates the motor speed level selected and activates the timer.

Push-button D = Switches on the cooker hood. Increases the motor speed. Touching the key at 3rd speed, the intensive function runs for 10 minutes, then the appliance go back to work at the original speed. During this function the display blinks.

Key E = The Timer times the functions on activation for 15 minutes, after which they are switched off. The Timer is deactivated by re-pressing **Key E**. When the Timer is activated the decimal point must flash on the display. The Timer cannot be activated if the intensive speed is functioning.

- The "clean air" function is activated by pressing key **E** for 2 seconds when the appliance is switched off. This switches the motor on for 10 minutes every hour at the first speed. During functioning a rotary movement of the peripheral segments must be visualised on the display.

When this time has passed the motor switches off and the fixed letter "C" must be visualised on the display until the motor re-starts after 50 minutes for another 10 minutes and so on. Press any key apart from the light keys to return to normal functioning. Press key **E** to deactivate the function.

- **Active carbon/grease filter saturation:**

- When display item **C** flashes, at a speed where it alternates with the letter **F** (e.g. 1 and **F**), the **grease** filters must be washed.
- When display item **C** flashes, at a speed where it alternates with the letter **A** (e.g. 1 and **A**), the **carbon** filters must be replaced.

After the clean filter has been positioned correctly, the electronic memory must be reset by pressing button **A** for approximately **5 seconds**, until the indication **F** or **A** shown on the display **C** stops flashing.

■ MAINTENANCE

- We recommend that the range hood is switched on before any food is cooked. We also recommend that the appliance is left running for 15 minutes after the food is cooked, in order to thoroughly eliminate all contaminated air.

The effective performance of the range hood depends on constant maintenance; the anti-grease filter and the active carbon filter both require special attention.

- **The anti-grease filter** is used to trap any grease particles suspended in the air, therefore is subject to saturation (the time it takes for the filter to become saturated depends on the way in which the appliance is used).

- To prevent potential fire hazards, the anti-grease filters should be washed a minimum of every 2 months (it is possible to use the dishwasher for this task).
- To remove filters, refer to Fig.7.

- After a few washes, the colour of the filters may change. This does not mean they have to be replaced.
If the replacement and washing instructions are not followed, the anti-grease filters may present a fire hazard.
- **The active carbon filters (on some models)** are used to purify the air which is released back into the room. The filters are not washable or re-usable and must be replaced at least once every four months. The active carbon filter saturation level depends on the frequency with which the appliance is used, the type of cooking performed and the regularity with which the anti-grease filters are cleaned.
To remove filters, refer to Fig.6.
- **Replacing halogen light bulbs (Fig.9):**
The light on the range hood is designed for use during cooking and not for general room illumination. Extended use of the light reduces the average duration of the bulb.
To replace the halogen light bulbs **B**, remove the glass pane **C** using a lever action on the relevant cracks.
Replace the bulbs with new ones of the same type.
Caution: do not touch the light bulb with bare hands.

Safety Instructions

Operating Instructions

Care and Cleaning

Troubleshooting Tips

Consumer Support

CARE AND CLEANING

Be sure electrical power is off and all surfaces are cool before cleaning or servicing any part of the vent hood.

■ Reusable Metal Grease Filters

The hood has 2 metal reusable grease filters.

The metal filters trap grease released by foods on the cooktop. They also help prevent flaming foods on the cooktop from damaging the inside of the hood.

For this reason, the filters must **ALWAYS** be in place when the hood is used. The grease filters should be cleaned once a month, or as needed.

To remove, press the filter locks back and pull the filters down and out.

To replace, insert the rear filter tabs in the frame slots at the back of the opening. Push the filters up and lock them into place.

To clean the grease filters, soak them and then swish them around in hot water and detergent. Don't use ammonia or ammonia products because they will darken the metal. Do not use abrasives or oven cleaners. Light brushing can be used to remove embedded dirt. Rinse, shake and let them dry before replacing. **They may also be cleaned in an automatic dishwasher.**

NOTE: *Before cleaning, make sure the charcoal filters, if present, are unclipped and removed. See the Charcoal Filters section.*

■ Charcoal Filters (on some models)

The charcoal filters cannot be cleaned. They must be replaced.

For converting vent hood to recirculation mode (not vented to the outside), order Kit no. KIT0319. This kit contains charcoal filters.

For replacement charcoal filters, order Part no. ACK00059.

These kits can be ordered from your GE supplier.

NOTE: *Charcoal filters are **not** included with the hood. They must be ordered from your GE supplier.*

If the model is not vented to the outside, the air will be recirculated through disposable charcoal filters that help remove smoke and odors.

The charcoal filters should be replaced when they are noticeably dirty or discolored (usually after 6–12 months, depending on hood usage).

NOTE: *DO NOT rinse, or put charcoal filters in an automatic dishwasher.*

■ *Stainless Steel Surfaces (on some models)*

Do not use a steel-wool pad; it will scratch the surface.

1. Shake bottle well.
2. Place a small amount of CERAMA BRYTE® Stainless Steel Cleaning Polish and Conditioner on a **dry** cloth or **dry** paper towel.
3. Clean a small area (approximately 8" x 8"/20.3 cm x 20.3 cm), rubbing with the grain of the stainless steel if applicable.
4. Dry and buff with a clean, dry paper towel or soft cloth.
5. Repeat as necessary.

To order:

To order CERAMA BRYTE® Stainless Steel Cleaning Polish and Conditioner, please call our toll-free number:

National Parts Center **1.800.661.1616**
www.GEAppliances.ca

CERAMA BRYTE®
Stainless Steel Cleaning
Polish and Conditioner **# PM10X313**

■ *Hood Lights*

This hood requires two bulbs (**not included**), maximum 50 watts.

Purchase and install WB27M02956, 50 W Maximum **halogen bulbs**.

When replacing a bulb, let it cool first. Make sure that power to the light has been turned off. Never allow a hot bulb to come into contact with water.

WARNING: To reduce the risk of electric shock, do not connect electrical power to the hood without both bulbs in place.

To change the light bulbs:

See page 4 and Fig.9.

- CAUTION:**
- Do not touch the hood light bulbs when they are on. They may be hot enough to cause injury.
 - The light bulbs operate at extremely high temperatures. If they shatter, the hot glass could cause personal injury.

Safety Instructions

Operating Instructions

Care and Cleaning

Troubleshooting Tips

Consumer Support

Installation Instructions

Range Hood

Questions? Call 800.561.3344 or visit our Website at: GEAppliances.ca

BEFORE YOU BEGIN

Read these instructions completely and carefully.

- **IMPORTANT** – Save these instructions for local inspector's use.
- **IMPORTANT** – Observe all governing codes and ordinances.
- **Note to Installer** – Be sure to leave these instructions with the Consumer.
- **Note to Consumer** – Keep these instructions for future reference.
- **Skill level** – Installation of this appliance requires basic mechanical and electrical skills.
- **Completion time** – 30 minutes–3 hours
- Proper installation is the responsibility of the installer.
- Product failure due to improper installation is not covered under the Warranty.

FOR YOUR SAFETY:

⚠ WARNING – Before beginning the installation, switch power off at service panel and lock the service disconnecting means to prevent power from being switched on accidentally. When the service disconnecting means cannot be locked, securely fasten a prominent warning device, such as a tag, to the service panel.

DUCTWORK REQUIREMENTS

NOTE: Read the ductwork sections only if you do not have existing ductwork. If you have existing ductwork, skip to the "Damage" section and proceed.

⚠ WARNING – TO REDUCE THE RISK OF FIRE AND TO PROPERLY EXHAUST AIR, BE SURE TO DUCT AIR OUTSIDE—DO NOT VENT EXHAUST AIR INTO SPACES WITHIN WALLS OR CEILINGS OR INTO ATTICS, CRAWL SPACES OR GARAGES.

The venting system must exhaust to the outside.

This hood can be vented vertically through upper cabinets or horizontally through an outside wall. Ductwork is not included.

Exhaust connection:

The hood exhaust has been designed to mate with standard 6" diameter round ducting.

If a 7" round duct is required, a transition adaptor must be used*. **Do not use less than a 6" diameter duct.**

Maximum duct length:

For satisfactory air movement, the total duct length of a 3¼" x 10" rectangular, 6" or 7" diameter round duct **should not exceed 65 equivalent feet.** See the **WORKSHEET-CALCULATE TOTAL EQUIVALENT DUCTWORK LENGTH** section.

NOTE: It is important that ducting be installed using the most direct route and with as few elbows as possible. This ensures clear venting of exhaust and helps prevent blockages. **Also, make sure dampers swing freely and nothing is blocking the ducts.**

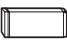
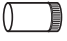

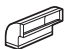
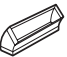






Elbows, transitions, wall and roofcaps, etc., present additional resistance to airflow and are equivalent to a section of straight duct longer than their actual physical size. When calculating the total duct length, add the equivalent lengths of all transitions and adaptors plus the length of all straight duct sections. The charts on the following pages show you how to calculate total equivalent ductwork length using the approximate feet of equivalent length of some typical ducts.






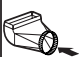





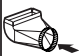
* **IMPORTANT:** If a rectangular-to-round transition adaptor is used, the bottom corners of the damper will have to be cut to fit, using the tin snips, in order to allow free movement of the damper. Equivalent lengths of duct pieces are based on actual tests and reflect requirements for good venting performance with any hood.

Installation Instructions

WORKSHEET—CALCULATE TOTAL EQUIVALENT DUCTWORK LENGTH

DUCT PIECES	EQUIVALENT LENGTH	NUMBER x USED	=	TOTAL
 3¼" x 10" Rect., straight	1 Ft.	x ()	=	Ft.
 7" Round, straight	1 Ft.	x ()	=	Ft.
 6" Round, straight	1 Ft.	x ()	=	Ft.
 3¼" x 10" Rect. 90° elbow	14 Ft.	x ()	=	Ft.
 3¼" x 10" Rect. 45° elbow	8 Ft.	x ()	=	Ft.
 3¼" x 10" Rect. 90° flat elbow	33 Ft.	x ()	=	Ft.
 3¼" x 10" Rect. wall cap with damper	24 Ft. (18 ft. w/o damper)	x () x ()	= =	Ft. Ft.
 3¼" x 10" Rect. to 6" round transition	2 Ft.	x ()	=	Ft.
 3¼" x 10" Rect. to 6" round transition 90° elbow	4 Ft.	x ()	=	Ft.
 6" Round, 90° elbow	25 Ft.	x ()	=	Ft.
 6" Round, 45° elbow	16 Ft.	x ()	=	Ft.
Subtotal column 1				= Ft.

MAXIMUM DUCT LENGTH: For satisfactory air movement, the total duct length of a 3¼" x 10" rectangular, 7" diameter round duct **should not exceed 65 equivalent feet.**

DUCT PIECES	EQUIVALENT LENGTH	NUMBER x USED	=	TOTAL
 6" Round wall cap with damper	53 Ft. (39 ft. w/o damper)	x () x ()	= =	Ft. Ft.
 6" Round roof cap	72 Ft.	x ()	=	Ft.
 6" Round to 3¼" x 10" rect. transition	3 Ft.	x ()	=	Ft.
 6" Round to 3¼" x 10" rect. transition 90° elbow	9 Ft.	x ()	=	Ft.
 7" Round, 90° elbow	14 Ft.	x ()	=	Ft.
 7" Round, 45° elbow	9 Ft.	x ()	=	Ft.
 7" Round wall cap with damper	28 Ft. (21 ft. w/o damper)	x () x ()	= =	Ft. Ft.
 7" Round roof cap	39 Ft.	x ()	=	Ft.
 7" Round to 3¼" x 10" rect. transition	1 Ft.	x ()	=	Ft.
 7" Round to 3¼" x 10" rect. transition, 90° elbow	5 Ft.	x ()	=	Ft.
Subtotal column 2				= Ft.
Subtotal column 1				= Ft.
Total ductwork				= Ft.

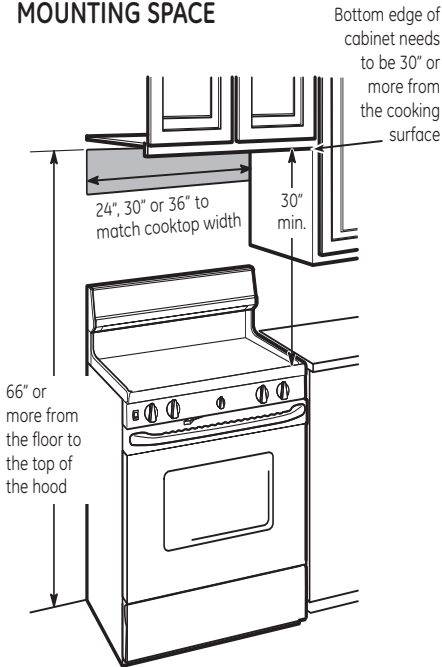
1 ft = 0.3 m; 1 in. = 2.5 cm

Installation Instructions

DAMAGE – SHIPMENT/INSTALLATION

- If the unit is damaged in shipment, return the unit to the store in which it was bought for repair or replacement. Call 800.531.3344.
- If the unit is damaged by the customer, repair or replacement is the responsibility of the customer.
- If the unit is damaged by the installer (if other than the customer), repair or replacement must be made by arrangement between customer and installer.

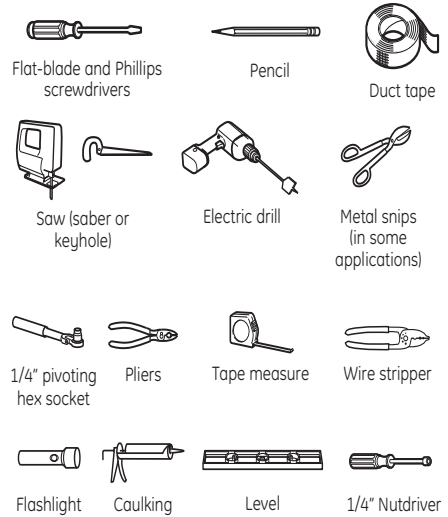
MOUNTING SPACE



NOTES:

- Hood width may be greater than the width of the range or cooktop, but it may not be smaller.
- Ensure the range or cooktop is installed per manufacturer's installation instructions.
- If you are going to vent your range hood to the outside, see the "Ducting Requirements" section for exhaust duct preparation.

TOOLS YOU WILL NEED



PARTS YOU WILL NEED

- 6" round straight ducting
- 6" round 90° elbow ducting
- 6"-7" hose clamp (2)

READ AND SAVE THESE INSTRUCTIONS.

■ GENERAL

- Carefully read the following important information regarding installation safety and maintenance. Keep this information booklet accessible for further consultations. The appliance has been designed for use in the **DUCTING** version Fig.2A (air exhaust to the outside) or **FILTERING** version Fig.2B (Optional) air circulation on the inside.
- In order to transform the hood from **DUCTING** version into **FILTERING** version the carbon filters must be ordered at your distributor as accessory.

INSTALLATION INSTRUCTIONS

■ **WARNING** – TO REDUCE THE RISK OF FIRE, ELECTRIC SHOCK, OR INJURY TO PERSONS, OBSERVE THE FOLLOWING:

- A. Installation work and electrical wiring must be done by qualified person(s) in accordance with all applicable codes and standards, including fire-rated construction.
- B. Sufficient air is needed for proper combustion and exhausting of gases through the flue (chimney) of fuel burning equipment to prevent back drafting. Follow the heating equipment manufacturer's guideline and safety standards such as those published by the National Fire Protection Association (NFPA), and the American Society for Heating, Refrigeration and Air Conditioning Engineers (ASHRAE), and the local code authorities.
- C. When cutting or drilling into wall or ceiling, do not damage electrical wiring and other hidden utilities.
- D. Ducted fans must always be vented to the outdoors.
- E. This unit must be grounded.

■ **WARNING** - TO REDUCE THE RISK OF FIRE, USE ONLY METAL DUCTWORK.

• **Power Supply Connection:**

For connection to the power supply refer to the follows Fig.8:

BLACK = L line

WHITE = N neutral

GREEN/YELLOW = G ground

- A double-pole switch properly rated must be installed to provide the range hood power supply disconnection.
- Connect the electrical conduit to the Field Wiring Compartment using listed conduit fittings.
- Carry out the power supply connection in accordance with the national electric code, ANSI/NFPA 70-1999.
- Insert the wires into the box, then close the box cover, securing it using the screws that were previously removed.

The appliance must be installed at a minimum height of 26 inches (66 cm) from an electric cooker stove, or 30 inches (76 cm) from gas or combined cooker stoves. If a connection ductwork composed of two parts is used, the upper part must be placed outside the lower part. Do not connect the range hood exhaust duct air to the same duct air used to exhaust hot air or fumes from other appliances other than electrical. Before proceeding with the assembly operations, remove the anti-grease filter(s) (Fig.7) so that the unit is easier to handle.

- ### ■ **WARNING** - TO REDUCE THE RISK OF FIRE, ELECTRIC SHOCK, OR INJURY TO PERSONS, OBSERVE THE FOLLOWING: Before making electrical connections to power supply, the electrical box must be secured in place as indicated in Fig.1. Before installing the appliance fix the electrical box as indicated in Fig.1.

- Remove the central screw Fig.1A.
- Lift the electrical plant box Fig.1B.
- Remove the 3 fixed screws Fig.1C.
- Position the electrical box so it is in line with the holes of the previously removed screws Fig.1D and tighten.
- Make sure that the protruding mounting tab of the electrical box is inside the slot and then tighten screw Fig.1E.

• **Fixing to the wall:**

Drill the holes **A** respecting the distances indicated (Fig.3). Fix the appliance to the wall and align it in horizontal position to the wall units. When the appliance has been adjusted, tightly secure the hood using the screws **A** (Fig.5). For the various installations use screws and screw anchors suited to the type of wall (e.g. reinforced concrete, plasterboard, etc.). If the screws and screw anchors are provided with the product, check that they are suitable for the type of wall on which the hood is to be fixed.

• **Regarding the installation on plasterboard wall:**

Make sure that the screws are well fixed to the bearing elements of the wall. If that is not possible, it is necessary to install a carrying support structure made by joists from 2 to 4 inches with the points of anchorage of the screws.

• **Fixing the decorative telescopic flue:**

Arrange the electrical power supply within the dimensions of the decorative flue. If your appliance is to be installed in the ducting version or in the version with external motor, prepare the air exhaust opening. Adjust the width of the support bracket of the upper flue (Fig.4). Then fix it near the ceiling using the screws **A** (Fig.4) in such a way that it is in line with your hood and respecting the distance from the ceiling indicated in Fig.3. Connect the flange **C** to the air exhaust hole using a connection pipe (Fig.5). Insert the upper flue into the lower flue. Extract the upper flue up to the bracket and fix it with the screws **B** (Fig.4).

• **Filtering version (carbon filters on some models)**

Install the hood and the two flues as described in the paragraph for installation of the hood in ducting version. To assemble the filtering flue refer to the instructions contained in the kit. The filters must be applied to the suction unit positioned inside the hood. They must be centred by turning them 90 degrees until the stop catch is tripped (Fig.6).

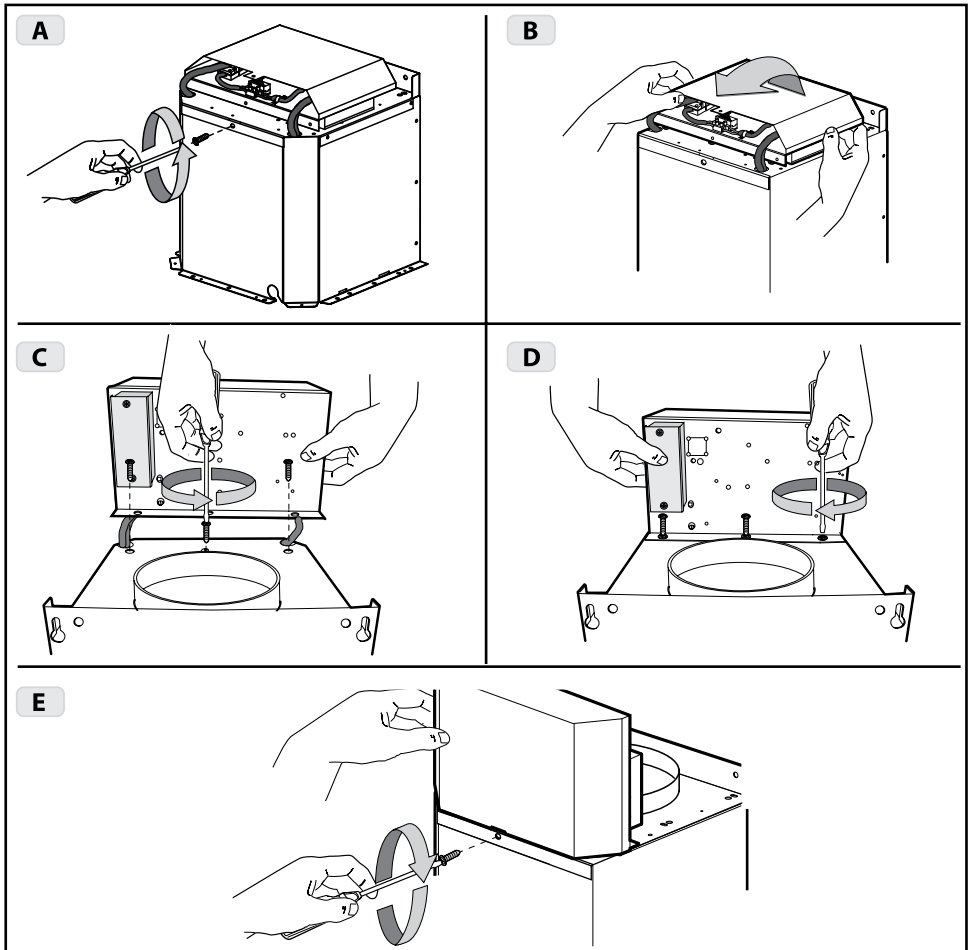


Fig.1

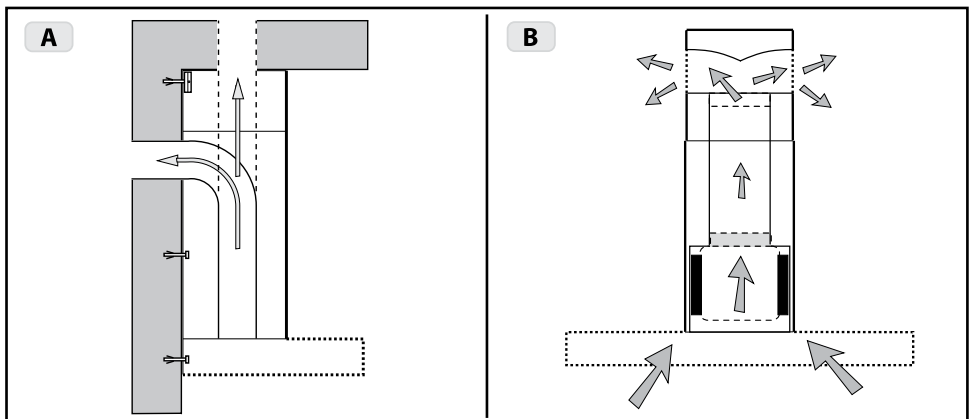


Fig. 2

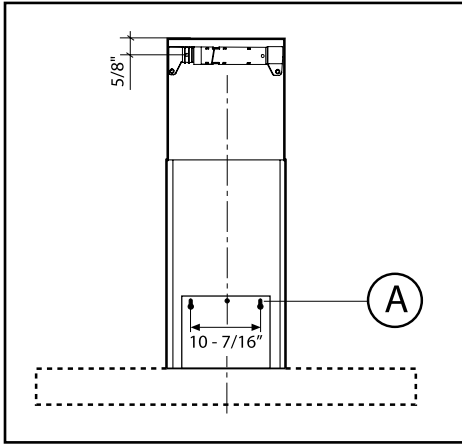


Fig. 3

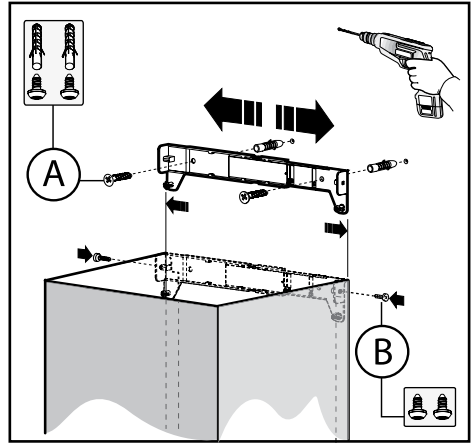


Fig. 4

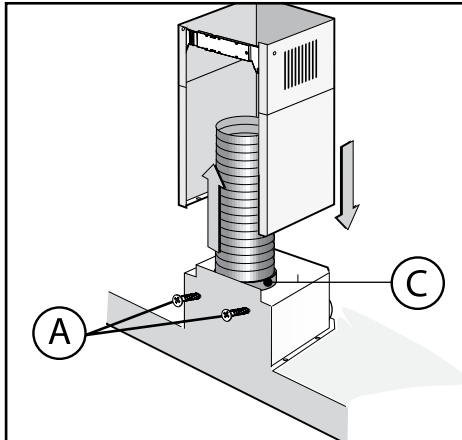


Fig. 5

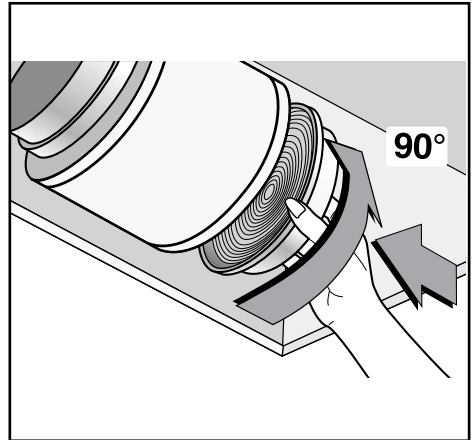


Fig. 6 On Some Models

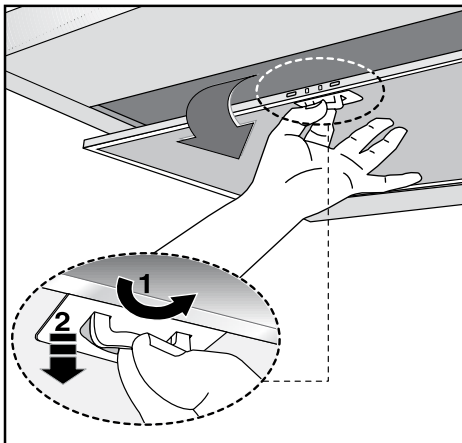


Fig. 7

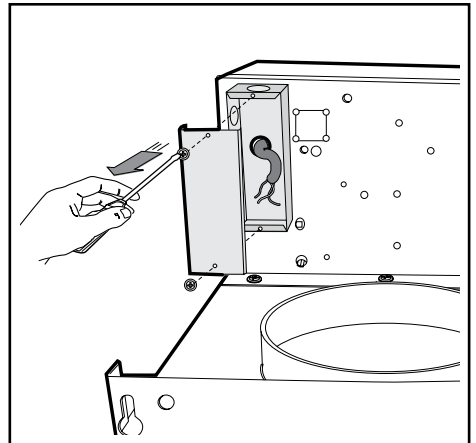


Fig. 8

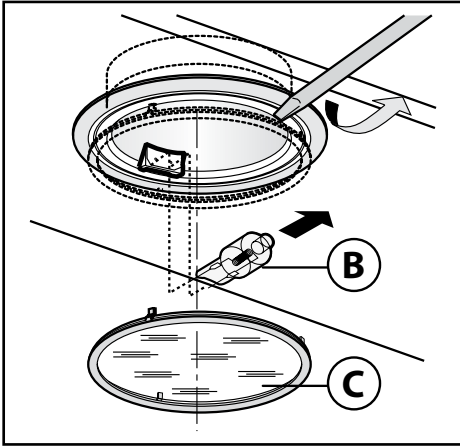


Fig. 9

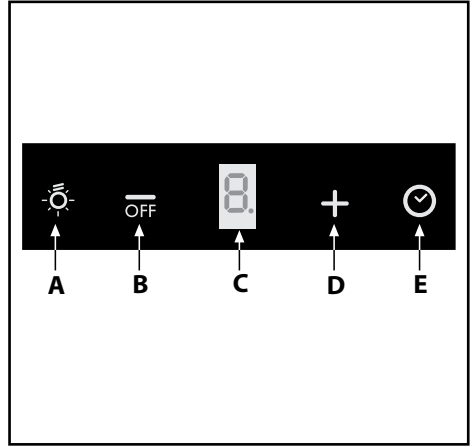


Fig. 10

BEFORE YOU CALL FOR SERVICE...

Troubleshooting Tips

Save time and money! Review the following chart first and you may not need to call for service.

<i>Problem</i>	<i>Possible Causes</i>	<i>What To Do</i>
<i>Fan does not operate when the switch is on</i>	A fuse may be blown or a circuit breaker may be tripped.	<ul style="list-style-type: none">• Replace fuse or reset circuit breaker.
<i>Fan fails to circulate air or moves air more slowly than normal</i>	Excessively soiled filter.	<ul style="list-style-type: none">• Wash and replace the filters. See the Reusable Metal Grease Filters section.• Replace the filter if it is too soiled to clean. If it is not soiled, or if replacing the filter does not solve the problem, call for service.
<i>Fan continually cycles off and on</i>	The motor is probably overheating and turning itself off. This can be harmful to the motor. Filter may be excessively soiled.	<ul style="list-style-type: none">• Replace the filter if it is soiled. If it is not soiled, or if replacing the filter does not solve the problem, call for service.

Safety Instructions

Operating Instructions

Care and Cleaning

Troubleshooting Tips

Consumer Support

Please place in envelope and mail to:
Veuillez mettre dans une enveloppe et envoyez à :

**OWNERSHIP REGISTRATION
P.O. BOX 1780
MISSISSAUGA, ONTARIO
L4Y 4G1
(FOR CANADIAN CONSUMERS ONLY -
POUR RÉSIDENTS CANADIENS SEULEMENT)**

CUT ALONG THIS LINE AND RETURN CARD - THANKS
 DÉCOUPEZ ICI ET ENVOYEZ LA FICHE - MERCI



For Canadian
 Customers



Pour les
 consommateurs
 canadiens

OWNERSHIP REGISTRATION CERTIFICATE – FICHE D'INSCRIPTION DU PROPRIÉTAIRE

Please register your product to enable us to contact you in the remote event a safety notice is issued for this product and to allow for efficient communication under the terms of our warranty, should the need arise. Veuillez enregistrer votre produit afin de nous permettre de communiquer avec vous si jamais un avis de sécurité concernant ce produit était émis et de communiquer facilement avec vous en vertu de votre garantie, si le besoin s'en fait sentir.

REGISTER ON-LINE: www.geappliances.ca MAIL TO: **P.O. BOX 1780, MISSISSAUGA**
 ENREGISTREMENT SUR INTERNET À : www.electromenagersge.ca POSTEZ À : **ONTARIO, L4Y 4G1**

MR. / M. MRS. / MME FIRST NAME / PRÉNOM

MISS/MILLE MS.

STREET NO / N° RUE

STREET NAME / RUE

APT. NO / APP. / RR#

CITY / VILLE

PROVINCE

POSTAL CODE / CODE POSTAL

AREA CODE / IND. RÉG.

TELEPHONE / TÉLÉPHONE

E-MAIL / COURRIEL

DID YOU PURCHASE A SERVICE CONTRACT FOR THIS APPLIANCE?

YES / OUI IF YES / SI OUI : EXPIRATION

NO / NON /_{1/2} /₃ /₄ /₅ /₆ /₇ /₈ /₉ /₁₀ /₁₁ /₁₂ /₁₃ /₁₄ /₁₅ /₁₆ /₁₇ /₁₈ /₁₉ /₂₀ /₂₁ /₂₂ /₂₃ /₂₄ /₂₅ /₂₆ /₂₇ /₂₈ /₂₉ /₃₀ /₃₁ /₃₂ /₃₃ /₃₄ /₃₅ /₃₆ /₃₇ /₃₈ /₃₉ /₄₀ /₄₁ /₄₂ /₄₃ /₄₄ /₄₅ /₄₆ /₄₇ /₄₈ /₄₉ /₅₀ /₅₁ /₅₂ /₅₃ /₅₄ /₅₅ /₅₆ /₅₇ /₅₈ /₅₉ /₆₀ /₆₁ /₆₂ /₆₃ /₆₄ /₆₅ /₆₆ /₆₇ /₆₈ /₆₉ /₇₀ /₇₁ /₇₂ /₇₃ /₇₄ /₇₅ /₇₆ /₇₇ /₇₈ /₇₉ /₈₀ /₈₁ /₈₂ /₈₃ /₈₄ /₈₅ /₈₆ /₈₇ /₈₈ /₈₉ /₉₀ /₉₁ /₉₂ /₉₃ /₉₄ /₉₅ /₉₆ /₉₇ /₉₈ /₉₉ /₁₀₀

NAME OF SELLING DEALER / NOM DU MARCHAND

MODEL / MODÈLE

INSTALLATION DATE / DATE D'INSTALLATION

CORRESPONDENCE / CORRESPONDANCE

SERIAL / SÉRIE

I do not wish to receive any promotional offers regarding this product.
 Je ne désire pas recevoir d'offres promotionnelles concernant ce produit.

Mabe Range Hood Warranty.



All warranty service provided by our Factory Service Centers, or an authorized Customer Care® technician. To schedule service, visit us on-line at GEAppliances.ca, or call 800.561.3344. Please have serial number and model number available when calling for service.

Staple your receipt here. Proof of the original purchase date is needed to obtain service under the warranty.

For The Period Of: Mabe Will Replace:

One Year

From the date of the original purchase

Any part of the range hood which fails due to a defect in materials or workmanship.

During this **limited one-year warranty**, Mabe will also provide, **free of charge**, all labor and in-home service to replace the defective part.

What Mabe Will Not Cover:

- Service trips to your home to teach you how to use the product.
- Improper installation, delivery or maintenance.
- Failure of the product if it is abused, misused, or used for other than the intended purpose or used commercially.
- Replacement of house fuses or resetting of circuit breakers.
- Damage to the product caused by accident, fire, floods or acts of God.
- Incidental or consequential damage caused by possible defects with this appliance.
- Damage caused after delivery.
- Product not accessible to provide required service.

EXCLUSION OF IMPLIED WARRANTIES—Your sole and exclusive remedy is product repair as provided in this Limited Warranty. Any implied warranties, including the implied warranties of merchantability or fitness for a particular purpose, are limited to one year or the shortest period allowed by law.

This warranty is extended to the original purchaser and any succeeding owner for products purchased for home use within Canada. If the product is located in an area where service by a Mabe Authorized Servicer is not available, you may be responsible for a trip charge or you may be required to bring the product to an Authorized Mabe Service Location for service.

Some provinces do not allow the exclusion or limitation of incidental or consequential damages. This warranty gives you specific legal rights, and you may also have other rights which vary from province to province. To know what your legal rights are, consult your local or provincial consumer affairs office or your province's Attorney General.

Warrantor: Mabe Canada Inc. Burlington, Ontario

Safety Instructions

Operating Instructions

Care and Cleaning

Troubleshooting Tips

Consumer Support

Consumer Support.



GE Appliances Website

GEAppliances.ca

Have a question or need assistance with your appliance? Try the GE Appliances Website 24 hours a day, any day of the year! For greater convenience and faster service, you can now download Owner's Manuals, order parts or even schedule service on-line.



Schedule Service

GEAppliances.ca

Expert Mabe repair service is only one step away from your door. Get on-line and schedule your service at your convenience any day of the year! Or call 800.561.3344 during normal business hours.



Parts and Accessories

GEAppliances.ca

Individuals qualified to service their own appliances can have parts or accessories sent directly to their homes (VISA and MasterCard are accepted). Order by phone at 800.661.1616 during normal business hours.

Instructions contained in this manual cover procedures to be performed by any user. Other servicing generally should be referred to qualified service personnel. Caution must be exercised, since improper servicing may cause unsafe operation.



Contact Us

GEAppliances.ca

If you are not satisfied with the service you receive from GE, contact us on our Website with all the details including your phone number, or write to:

General Manager, Customer Relations
Mabe Canada Inc.
Suite 310, 1 Factory Lane
Moncton, N.B. E1C 9M3



Register Your Appliance

GEAppliances.ca

Register your new appliance on-line—at your convenience! Timely product registration will allow for enhanced communication and prompt service under the terms of your warranty, should the need arise. You may also mail in the pre-printed registration card included in the packing material.

IMPORTANTES CONSIGNES DE SÉCURITÉ. RÉSERVÉ À UN USAGE RÉSIDENTIEL SEULEMENT LISEZ ET CONSERVEZ CES INSTRUCTIONS VEUILLEZ LIRE TOUTES LES INSTRUCTIONS AVANT DE CONTINUER.

- **IMPORTANT** :Conservez ces instructions pour l'inspecteur en électricité local.
- **À L'ATTENTION DE L'INSTALLATEUR** : Veuillez laisser ces instructions avec l'appareil pour que l'acheteur puisse s'y reporter.
- **À L'ATTENTION DE L'ACHETEUR** : Veuillez conserver ces instructions pour vous y reporter ultérieurement.
- Faites preuve de prudence lorsque vous utilisez des agents de nettoyage ou des détergents.
- Cet appareil est conçu pour être utilisé dans une cuisine résidentielle.
- **AVERTISSEMENT** - Pour réduire les risques d'incendie ou de choc électrique, n'utilisez pas cet appareil avec un dispositif de contrôle de la vitesse à semi-conducteurs.
- **ATTENTION** - Pour réduire les risques d'incendie et assurer l'évacuation adéquate de l'air, assurez-vous d'acheminer les conduits vers l'extérieur. N'évacuez pas l'air dans des espaces intra-muraux, dans le plafond ou dans le grenier, dans un vide sanitaire ou le garage.
- **ATTENTION** - Pour évacuation de type général uniquement. N'utilisez pas cet appareil pour évacuer des substances ou des vapeurs nocives ou explosives.
- **ATTENTION** - Pour éviter d'endommager les paliers du moteur et de rendre les roues à ailettes bruyantes et/ou déséquilibrées, empêcher les produits pulvérisés sur les cloisons sèches, la poussière produite lors des travaux de construction, etc. de venir en contact avec le moteur de la hotte.
- **ATTENTION** - Pour plus de détails sur l'appareil et ses exigences, veuillez lire l'étiquette des spécifications située sur la hotte.
- **AVERTISSEMENT** - POUR DIMINUER LES RISQUES D'INCENDIE, DE CHOC ÉLECTRIQUE OU DE BLESSURES, VEUILLEZ SUIVRE LES INSTRUCTIONS SUIVANTES :
 - A. Cet appareil ne doit uniquement être utilisé qu'aux fins prévues par son fabricant. Si vous avez des questions, contactez le fabricant.
 - B. Avant de réparer ou d'entretenir l'appareil, coupez l'alimentation au tableau de distribution et bloquez le disjoncteur pour éviter que le courant ne soit accidentellement rétabli. Quand il n'est pas possible de bloquer le disjoncteur, posez un moyen d'avertissement bien visible, comme une étiquette, sur le tableau de distribution.
- **AVERTISSEMENT - POUR RÉDUIRE LE RISQUE DES FEUX DE GRAISSE SUR LA CUISINIÈRE** :
 - A. Ne laissez jamais sans surveillance les éléments de surface à des réglages élevés. Les débordements peuvent produire de la fumée et des projections de graisse qui pourraient s'enflammer. Faites chauffer l'huile doucement à un réglage bas ou moyen.
 - B. Mettez toujours la hotte en MARCHE lorsque vous cuisinez à feu fort ou que vous faites flamber des aliments (p. ex. : des crêpes Suzette, des cerises jubilé ou du steak au poivre flambé).
 - C. Nettoyez régulièrement les ventilateurs. Ne laissez pas la graisse s'accumuler sur le ventilateur ou sur le filtre.
 - D. Utilisez des casseroles de dimensions appropriées. Utilisez toujours des casseroles dont la taille correspond à celle de l'élément de cuisson.
 - E. Gardez le ventilateur, les filtres et les autres surfaces pouvant accumuler de la graisse propres en tout temps.
 - F. N'utilisez un réglage de chaleur élevé que lorsque nécessaire. Faites chauffer l'huile lentement, à un réglage de la chaleur de bas à moyen.

Sécurité

Utilisation

Entretien et nettoyage

Dépannage

Service à la clientèle

Sécurité	<p>G. Ne laissez pas la cuisinière sans surveillance lorsque vous cuisinez.</p> <p>H. Utilisez toujours des plats et des ustensiles de cuisson appropriés selon le type et la quantité d'aliments à préparer.</p> <p>■ AVERTISSEMENT - POUR RÉDUIRE LES RISQUES DE BLESSURES S'IL SURVIENT UN FEU DE GRAISSE SUR LA CUISINIÈRE, SUIVEZ LES CONSIGNES SUIVANTES^a :</p> <p>A. ÉTOUFFEZ LES FLAMMES en recouvrant l'ustensile d'un couvercle, d'une plaque à biscuits ou d'un plateau en métal, puis éteignez l'élément chauffant. PRENEZ GARDE DE NE PAS VOUS BRÛLER. Si les flammes ne s'éteignent pas immédiatement, ÉVACUEZ LES LIEUX ET APPELEZ LES POMPIERS.</p> <p>B. N'ESSAYEZ JAMAIS DE SAISIR UN USTENSILE EN FEU; vous pourriez vous brûler.</p> <p>C. N'UTILISEZ PAS D'EAU, de torchons ni de serviettes; une violente explosion de vapeur en résulterait.</p> <p>D. Utilisez un extincteur SEULEMENT si :</p> <ol style="list-style-type: none"> 1. Vous avez en votre possession un extincteur de classe ABC et vous savez vous en servir. 2. Le feu est petit et circonscrit à l'endroit où il s'est déclaré. 3. Vous avez appelé les pompiers. 4. Vous pouvez combattre le feu en faisant dos à une sortie. <p>^a Tiré du document « Kitchen Firesafety Tips » (Conseils de sécurité-incendie pour la cuisine) publié par la NFPA.</p> <p>L'entretien adéquat de cette hotte de cuisinière assurera son bon fonctionnement.</p> <p>■ AVERTISSEMENT - DANS CERTAINES CIRCONSTANCES, LES APPAREILS ÉLECTROMÉNAGERS PEUVENT ÊTRE DANGEREUX.</p> <p>A. Ne vérifiez pas l'état des filtres lorsque la hotte fonctionne.</p> <p>B. Ne touchez pas aux lampes après une utilisation prolongée de l'appareil.</p> <p>C. Aucune nourriture ne doit être flambée sous la hotte.</p> <p>D. L'utilisation d'une flamme nue peut endommager les filtres et causer un incendie.</p> <p>E. En tout temps, surveillez les aliments en train de frire pour éviter que l'huile de cuisson ne s'enflamme.</p> <p>F. Débranchez la hotte de sa source d'alimentation électrique avant de l'entretenir ou de la réparer.</p> <p>■ Les fabricants ne peuvent être tenus responsables des dommages éventuels que le non-respect de ces consignes pourrait entraîner.</p>
Utilisation	
Entretien et nettoyage	
Dépannage	
Service à la clientèle	

UTILISATION

- **Si la hotte est munie des commandes suivantes (fig 10) :**

Touche A = Interrupteur de mise en marche/arrêt de la lampe.

Touche B = Interrupteur de mise en marche/arrêt de la hotte. En appuyant sur cette touche, la hotte se met en marche au niveau de vitesse 1. Lorsque la hotte fonctionne, appuyer sur la touche pendant 2 secondes permet de l'arrêter. Si la hotte fonctionne au niveau de vitesse 1, il n'est pas nécessaire d'appuyer sur cette touche pour l'arrêter. Réduisez la vitesse du moteur.

Afficheur C = Affiche la vitesse du moteur et indique que la minuterie fonctionne.

Touche D = Permet de mettre la hotte en marche. Permet également d'augmenter sa vitesse. Appuyer sur la touche lorsque la hotte est au niveau de vitesse 3 fait en sorte que l'appareil fonctionnera au niveau maximal pendant 10 minutes, puis reviendra à la vitesse d'origine. L'afficheur clignote lorsque cette fonction est activée.

Touche E = La minuterie compte la durée des fonctions activées pendant 15 minutes, puis les éteint. La minuterie peut être désactivée en appuyant de nouveau sur la **touche E**. Lorsque la minuterie est activée, le point décimal clignote sur l'afficheur. La minuterie ne peut pas être activée si la hotte fonctionne à sa vitesse maximale.

- La fonction « **clean air** » (air propre) peut être activée en appuyant sur la touche **E** pendant 2 secondes lorsque la hotte est éteinte. Cette fonction permet de démarrer la hotte et de la faire fonctionner à la première vitesse pendant 10 minutes toutes les heures. Lorsque cette fonction est activée et que la hotte fonctionne, le cercle extérieur de l'icône tournera sur lui-même sur l'afficheur. Après les 10 minutes de fonctionnement, le moteur s'éteindra et la lettre « **C** » apparaîtra sur l'afficheur jusqu'au redémarrage de la hotte 50 minutes plus tard pour un autre cycle de fonctionnement de 10 minutes. Pour retourner au mode de fonctionnement normal, appuyez sur n'importe quelle touche (à l'exception de la touche de la lampe). Appuyez sur la touche **E** pour désactiver cette fonction.

- **Saturation du filtre antigrasse/à charbon actif :**

- Lorsqu'un chiffre indiquant l'une des vitesses de la hotte **C** se met à clignoter sur l'afficheur en alternance avec la lettre **F** (ex. : 1 et **F**), vous devrez nettoyer les filtres **antigrasse**.

- Lorsqu'un chiffre indiquant l'une des vitesses de la hotte **C** se met à clignoter sur l'afficheur en alternance avec la lettre **A** (ex. : 1 et **A**), les filtres au **charbon** doivent être remplacés.

Une fois qu'un filtre propre a été installé correctement, la mémoire de l'appareil doit être réinitialisée en appuyant sur la touche **A** pendant environ **5 secondes**, jusqu'à ce que la lettre **F** ou **A** qui clignote sur l'afficheur **C** arrête de clignoter.

■ ENTRETIEN

- Nous conseillons de démarrer la hotte avant de commencer la cuisson d'aliments. Nous recommandons également de la laisser fonctionner pendant 15 minutes après la cuisson des aliments afin d'éliminer complètement les odeurs de cuisson. Le rendement de la hotte sera supérieur si vous l'entretenez régulièrement; les filtres antigrasse et au charbon actif doivent faire l'objet d'une attention particulière.

Sécurité

Utilisation

Entretien et nettoyage

Dépannage

Service à la clientèle

Sécurité
Utilisation
Entretien et nettoyage
Dépannage
Service à la clientèle

- **Le filtre antigraisse** sert à capturer les particules de graisse en suspension dans l'air et est donc sujet à se saturer (le temps qu'il prend à se remplir dépend de la façon dont vous utilisez la hotte).

 - Pour éviter les risques d'incendie, les filtres antigraisse doivent être lavés au minimum tous les 2 mois (vous pouvez les laver au lave-vaisselle).
 - Pour enlever les filtres, reportez-vous à la fig. 7.
 - Après quelques nettoyages, la couleur des filtres peut changer. Ce changement de couleur ne signifie pas qu'ils doivent être remplacés.

Si les instructions relatives au remplacement et au nettoyage des filtres ne sont pas suivies, les filtres antigraisse peuvent présenter des risques d'incendie.
- **Les filtres au charbon actif (sur certains modèles)** sont utilisés pour purifier l'air qui est retourné dans la cuisine. Ces filtres ne sont pas lavables ni réutilisables et doivent être remplacés au moins une fois tous les quatre mois. Le niveau de saturation des filtres au charbon dépend de la fréquence à laquelle la hotte est utilisée, le type de cuisson et la fréquence avec laquelle les filtres antigraisse sont nettoyés. Pour enlever les filtres, reportez-vous à la fig. 6.
- **Remplacement des ampoules à halogène (fig. 9) :**

La lampe de la hotte est conçue pour être utilisée durant la cuisson des aliments et ne doit pas servir à éclairer la cuisine. Une utilisation prolongée de la lampe diminuera la durée de vie de l'ampoule.

Pour remplacer les ampoules à halogène **B**, enlevez le couvercle protecteur en verre **C** en le soulevant avec précaution à l'aide d'un tournevis.

Remplacez les ampoules avec de nouvelles ampoules du même type.

Attention : Ne touchez pas l'ampoule à main nue.

ENTRETIEN ET NETTOYAGE

Assurez-vous que l'alimentation électrique est coupée et que toutes les surfaces sont froides avant de nettoyer ou de réparer une partie de la hotte.

■ **Filtres à graisses métalliques réutilisables**

La hotte est équipée de 2 filtres à graisses réutilisables en métal.

Les filtres métalliques retiennent la graisse émise par les aliments lors de l'utilisation de la surface de cuisson. Ces filtres empêchent également les flammes provenant des aliments cuits sur la surface de cuisson d'endommager l'intérieur de la hotte.

Pour cette raison, il faut **TOUJOURS** que les filtres soient en place lors de l'utilisation de la hotte. Les filtres à graisses doivent être nettoyés tous les mois ou lorsque cela s'avère nécessaire.

Pour enlever les filtres, appuyez sur le verrou, tirez vers le bas et dégagez-les.

Pour réinstaller les filtres, faites glisser les languettes arrière dans les fentes du châssis, à l'arrière de l'ouverture.

Poussez les filtres vers le haut et enclenchez-les en place.

Pour nettoyer les filtres à graisses, faites-les tremper, puis agitez-les dans une solution d'eau chaude et de détergent. N'utilisez pas de produits contenant de l'ammoniaque, car ils noirciraient le métal. N'utilisez pas de produits de nettoyage pour four ou abrasifs. Vous pouvez effectuer un brossage léger pour éliminer les saletés incrustées. Rincez, secouez et laissez sécher les filtres avant de les réinstaller. **Il est également possible de les laver au lave-vaisselle.**

REMARQUE : Avant de procéder au nettoyage, assurez-vous que les filtres à charbon ont été enlevés, si la hotte en est munie. Reportez-vous à la section sur les filtres à charbon.

■ **Filtres à charbon** (certains modèles)

Les filtres à charbon ne peuvent pas être nettoyés. Ils doivent être remplacés.

Pour convertir la hotte en mode recyclage de l'air (l'air n'est pas envoyé à l'extérieur), commandez l'ensemble n° KIT0319. Cet ensemble contient deux filtres à charbon.

Pour remplacer les filtres à charbon, commandez la pièce n° ACK00059.

Ces nécessaires peuvent être commandés auprès de votre fournisseur GE.

REMARQUE : Les filtres à charbon ne sont pas compris avec la hotte. Ceux-ci peuvent être commandés auprès de votre fournisseur GE.

Si la hotte n'est pas ventilée vers l'extérieur, l'air est recyclé à travers des filtres à charbon jetables qui retiennent la fumée et les odeurs.

Les filtres à charbon doivent être remplacés lorsqu'ils sont très encrassés ou lorsqu'ils ont changé de couleur (généralement après une période de 6 à 12 mois, selon la fréquence d'utilisation de la hotte).

REMARQUE : NE rincez PAS les filtres à charbon et NE les nettoyez PAS au lave-vaisselle.

Sécurité

Utilisation

Entretien et nettoyage

Dépannage

Service à la clientèle

Sécurité	<p>■ Surfaces en acier inoxydable (certains modèles)</p> <p>N'utilisez pas de tampon en laine d'acier, il égratignerait la surface.</p> <ol style="list-style-type: none"> 1. Secouez bien la bouteille. 2. Placez une petite quantité de CERAMA BRYTE® sur un chiffon sec ou sur un essuie-tout sec. 3. Nettoyez une petite zone (environ 8 po x 8 po/20,3 cm x 20,3 cm), en frottant dans le sens du grain de l'acier inoxydable, le cas échéant. 4. Séchez et polissez avec un essuie-tout ou un linge doux, sec et propre. 5. Répétez au besoin.
Utilisation	<p>Pour commander :</p> <p>Pour commander du CERAMA BRYTE®, produit pour nettoyer, polir et préserver l'acier inoxydable, veuillez composer notre numéro sans frais :</p> <p>Centre national des pièces 1-800-661-1616 www.electromenagersge.ca</p> <p>CERAMA BRYTE® produit pour nettoyer, polir et préserver l'acier inoxydable N° PM10X313</p>
Entretien et nettoyage	<p>■ Lampes de la hotte</p> <p>Cette hotte nécessite l'utilisation de deux ampoules (non comprises), d'un maximum de 50 W.</p> <p>Achetez et installez des ampoules halogènes WB27M02956, d'un maximum de 50 W.</p> <p>Lorsque vous remplacez une ampoule, laissez-la d'abord refroidir. Assurez-vous que l'alimentation en électricité de la lampe a été coupée. Ne laissez jamais une ampoule chaude entrer en contact avec de l'eau.</p>
Dépannage	<p>AVERTISSEMENT : Pour réduire le risque de choc électrique, ne branchez pas la hotte à sa source d'alimentation sans que les ampoules ne soient en place..</p> <p>Pour changer les ampoules :</p> <p>Reportez-vous à la page 23 et à la figure 9.</p>
Service à la clientèle	<p>ATTENTION :</p> <ul style="list-style-type: none"> • Ne touchez pas les ampoules de la hotte lorsqu'elles sont allumées. Elles peuvent être assez chaudes pour causer des blessures. • Les ampoules fonctionnent à des températures extrêmement élevées. Si les ampoules se cassent, le verre peut causer des blessures.

Instructions d'installation

Hotte de cuisinière

Des questions? Appelez le 1-800-561-3344 ou visitez notre site Web au www.electromenagersge.ca

AVANT DE COMMENCER

Lisez attentivement toutes ces instructions.

- **IMPORTANT** – Conservez ces instructions pour l'inspecteur local.
- **IMPORTANT** – Observez tous les codes et règlements en vigueur.
- **Remarque destinée à l'installateur** – Veuillez à laisser ces instructions au consommateur.
- **Remarque destinée au consommateur** – Conservez ces instructions pour vous y reporter ultérieurement.
- **Aptitude** – L'installation de cet appareil exige des compétences de base en mécanique et en électricité.
- **Durée de l'installation** – 30 minutes à 3 heures.
- L'installateur est responsable de la qualité de l'installation.
- Une panne du produit due à une mauvaise installation n'est pas couverte par la garantie.

POUR VOTRE SÉCURITÉ :

⚠ AVERTISSEMENT – Avant de commencer l'installation, coupez le courant au tableau de distribution et bloquez le disjoncteur pour éviter que le courant ne soit accidentellement rétabli. Quand il n'est pas possible de bloquer le disjoncteur, posez un moyen d'avertissement bien visible, comme une étiquette, sur le tableau de distribution.

EXIGENCES CONCERNANT LES CONDUITS

REMARQUE : Lisez les sections concernant les conduits seulement si vous n'avez pas de conduits existants. Si vous avez des conduits existants, passez directement à la section « Dommages ».

⚠ AVERTISSEMENT – POUR RÉDUIRE LES RISQUES D'INCENDIE ET ASSURER L'ÉVACUATION ADÉQUATE DE L'AIR, ASSUREZ-VOUS D'ACHEMINER LES CONDUITS VERS L'EXTÉRIEUR. N'ÉVACUEZ PAS L'AIR DANS DES ESPACES INTRAMURAUX, DANS LE PLAFOND OU DANS LE GRENIER, DANS UN VIDE SANITAIRE OU LE GARAGE.

L'évacuation du système de ventilation doit se faire vers l'extérieur.

L'évacuation de l'air de cette hotte peut se faire verticalement à travers les armoires supérieures ou horizontalement à travers un mur donnant sur l'extérieur. Les conduits ne sont pas inclus.

Raccordement au conduit :

Le conduit d'évacuation de la hotte a été conçu pour s'adapter au conduit rond standard de 6 po de diamètre.

S'il vous faut utiliser un conduit rond de 7 po, vous devrez installer un adaptateur de transition rectangulaire à rond*. **N'utilisez pas un conduit dont le diamètre est inférieur à 6 po.**

Longueur maximale du conduit :

Pour une circulation d'air satisfaisante, la longueur totale du conduit rectangulaire de 3¼ x 10 po ou du conduit rond de 6 ou 7 po de diamètre ne doit pas excéder une longueur équivalente à 65 pi. Consultez la section FICHE TECHNIQUE - CALCUL DE LA LONGUEUR ÉQUIVALENTE TOTALE DES CONDUITS.

REMARQUE : Il est important que les conduits soient installés en utilisant le chemin le plus direct et avec le moins de coudes possible. Cela permet de garantir une bonne évacuation et de prévenir les blocages. **Assurez-vous également que les registres bougent librement et que rien ne bloque les conduits.**

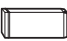
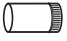

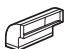
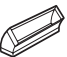






Les coudes, adaptateurs de transition, événements muraux ou de toiture, etc. offrent une résistance supplémentaire à la circulation de l'air et sont équivalents à une section de conduit droit plus longue que leur dimension réelle. Lorsque vous calculez la longueur totale du conduit, ajoutez les longueurs équivalentes de tous les adaptateurs de transition et des coudes, ainsi que la longueur de toutes les sections de conduit droit. Vous trouverez dans les tableaux des pages suivantes comment calculer la longueur équivalente totale à l'aide de la longueur équivalente approximative en pieds et en mètres de certains types de conduits les plus utilisés.



* **IMPORTANT :** Si vous utilisez un adaptateur de transition rectangulaire à rond, il faudra couper les coins inférieurs du registre aux dimensions de l'adaptateur à l'aide de cisailles pour que le registre puisse bouger librement. Les longueurs équivalentes des pièces de conduits sont basées sur des essais réels et représentent les longueurs nécessaires à une bonne ventilation pour n'importe quelle hotte.











Instructions d'installation

FICHE TECHNIQUE – CALCUL DE LA LONGUEUR ÉQUIVALENTE TOTALE DES CONDUITS

PIÈCE DE CONDUIT	LONGUEUR ÉQUIVALENTE	NOMBRE x UTILISÉ	=	TOTAL	
 Conduit droit, rectangulaire de 3¼ x 10 po	1 pi	x ()	=	pi	
 Conduit droit, rond de 7 po	1 pi	x ()	=	pi	
 Conduit droit, rond de 6 po	1 pi	x ()	=	pi	
 Coude de 90°, rectangulaire de 3¼ x 10 po	14 pi	x ()	=	pi	
 Coude de 45°, rectangulaire de 3¼ x 10 po	8 pi	x ()	=	pi	
 Coude plat de 90°, rect. de 3¼ x 10 po	33 pi	x ()	=	pi	
 Évén mural rectangulaire de 3¼ x 10 po avec registre	24 pi	x ()	=	pi	
	(18 pi sans registre)	x ()	=	pi	
 Adaptateur de transition, rect. de 3¼ x 10 po à rond de 6 po	2 pi	x ()	=	pi	
 Coude de transition de 90°, rect. de 3¼ x 10 po à rond de 6 po	4 pi	x ()	=	pi	
 Coude de 90°, rond de 6 po	25 pi	x ()	=	pi	
 Coude de 45°, rond de 6 po	16 pi	x ()	=	pi	
Total partiel colonne 1				=	pi

LONGUEUR MAXIMALE DU CONDUIT : Pour une circulation d'air satisfaisante, la longueur totale du conduit rectangulaire de 3¼ x 10 po ou du conduit rond de 7 po de diamètre **ne doit pas excéder une longueur équivalente à 65 pi.**

1 pi = 0,3 m; 1 po = 2,5 cm

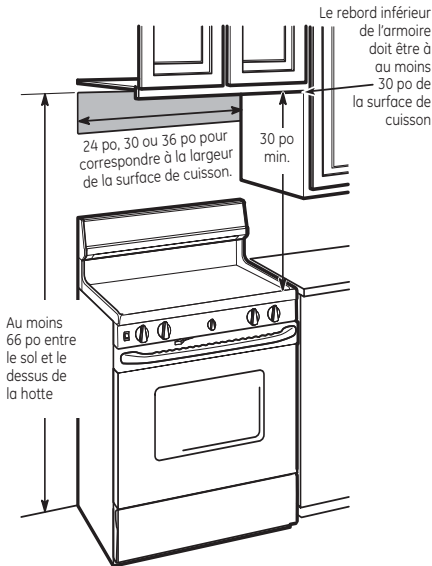
PIÈCE DE CONDUIT	LONGUEUR ÉQUIVALENTE	NOMBRE x UTILISÉ	=	TOTAL	
 Évén mural rond de 6 po avec registre	53 pi	x ()	=	pi	
	(39 pi sans registre)	x ()	=	pi	
 Évén de toiture rond de 6 po	72 pi	x ()	=	pi	
 Adaptateur de transition, rond de 6 po à rect. de 3¼ x 10 po	3 pi	x ()	=	pi	
 Coude de transition de 90°, rond de 6 po à rect. de 3¼ x 10 po	9 pi	x ()	=	pi	
 Coude de 90°, rond de 7 po	14 pi	x ()	=	pi	
 Coude de 45°, rond de 7 po	9 pi	x ()	=	pi	
 Évén mural rond de 7 po avec registre	28 pi	x ()	=	pi	
	(21 pi sans registre)	x ()	=	pi	
 Évén de toiture rond de 7 po	39 pi	x ()	=	pi	
 Adaptateur de transition, rond de 7 po à rect. de 3¼ x 10 po	1 pi	x ()	=	pi	
 Coude de transition de 90°, rond de 7 po à rect. de 3¼ x 10 po	5 pi	x ()	=	pi	
Total partiel colonne 2				=	pi
Total partiel colonne 1				=	pi
Longueur totale des conduits				=	pi

Instructions d'installation

DOMMAGES - EXPÉDITION/INSTALLATION

- Si l'appareil est endommagé durant le transport, retournez-le au magasin où vous l'avez acheté pour réparation ou remplacement. Téléphonnez au 1-800-531-3344.
- Si l'appareil est endommagé par le client, la réparation ou le remplacement reste à la charge du client.
- Si l'appareil est endommagé par l'installateur (s'il s'agit d'une personne différente du client), la réparation ou le remplacement doivent faire l'objet d'une entente entre le client et l'installateur.

DÉGAGEMENTS POUR L'INSTALLATION



REMARQUES :

- La largeur de la hotte peut être supérieure à la largeur de la cuisinière ou la surface de cuisson, mais elle ne peut pas être plus petite.
- Assurez-vous que la cuisinière ou la surface de cuisson a été installée selon les instructions d'installation du fabricant.
- Si l'évacuation de l'air de votre hotte de cuisinière s'effectue vers l'extérieur, consultez la section « Exigences concernant les conduits » pour la préparation du conduit d'évacuation.

OUTILS NÉCESSAIRES



Tournevis plat et tournevis Phillips



Crayon



Ruban adhésif en toile



Scie (sauteuse ou à guichet)



Perceuse électrique



Cisailles à métaux (dans certains cas)



Douille hex. pivotante de 1/4 po



Pincettes



Ruban à mesurer



Pince à dénuder



Lampe torche



Pistolet à calfeutrer



Niveau



Tournevis à douille de 1/4 po

PIÈCES NÉCESSAIRES

Conduit rond de 6 po

Conduit coudé rond de 6 po, 90°

Colliers de serrage (2) de 6 po et 7 po

1 pi = 0,3 m; 1 po = 2,5 cm

LISEZ ET CONSERVEZ CES INSTRUCTIONS

■ CONSIGNES GÉNÉRALES

- Lisez attentivement les renseignements suivants concernant la sécurité lors de l'installation de la hotte et de son entretien. Conservez ce livret à portée de main pour consultation ultérieure.

Cet appareil est conçu pour être utilisé en version avec **CONDUIT** (fig. 2A) où l'air est évacué à l'extérieur ou en version avec **FILTRE** fig. 2B (facultatif) où l'air circule à l'intérieur de la hotte.

- Pour modifier la hotte de sa version avec **CONDUIT** en version avec **FILTRE**, vous devez commander des filtres au charbon de votre détaillant.

■ INSTRUCTIONS D'INSTALLATION

■ **AVERTISSEMENT** - POUR DIMINUER LES RISQUES D'INCENDIE, DE CHOC ÉLECTRIQUE OU DE BLESSURES, VEUILLEZ SUIVRE LES INSTRUCTIONS SUIVANTES :

- A. L'installation et le câblage électrique doivent être effectués par une personne qualifiée et conformément à tous les codes et toutes les normes applicables, incluant les règlements concernant les constructions classées résistantes au feu.
- B. Une quantité d'air suffisante est nécessaire à une combustion et à une évacuation appropriées des gaz par le conduit d'évacuation (cheminée) de l'équipement à combustible pour éviter tout refoulement. Suivez les instructions et normes de sécurité du fabricant de l'appareil chauffant, comme celles publiées par la National Fire Protection Association (NFPA), l'American Society for Heating, Refrigeration and Air Conditioning Engineers (ASHRAE) et les autorités locales.
- C. Lorsque vous effectuez des découpes ou que vous percez dans un mur ou un plafond, n'endommagez pas le câblage électrique ou les installations des services publics.
- D. L'air des ventilateurs qui disposent de conduits d'aération doit toujours être évacué vers l'extérieur.
- E. Cet appareil doit être mis à la terre.

■ **AVERTISSEMENT** - POUR RÉDUIRE LES RISQUES D'INCENDIE, N'UTILISEZ QUE DES CONDUITS EN MÉTAL.

• Connexion électrique :

Pour des instructions sur la façon de connecter la hotte à la source d'alimentation électrique, reportez-vous à la figure 8 :

NOIR = L Ligne électrique

BLANC = N Neutre

VERT/JAUNE = M Mise à la terre

- Un interrupteur bipolaire d'intensité nominale appropriée doit être installé afin d'empêcher les coupures de courant de la hotte.
- Connectez le fil électrique au compartiment du câblage d'alimentation.
- Installez la connexion électrique conformément au code national de l'électricité ANSI/NFPA 70-1999.
- Insérez les fils dans la boîte, puis vissez le couvercle de la boîte à l'aide des vis que vous avez précédemment enlevées.

Cette hotte doit être installée à une hauteur minimale de 26 po (66 cm) de la surface de cuisson des cuisinières électriques ou à une distance minimale de 30 po (76 cm) des cuisinières à gaz ou combinées. Si vous utilisez la connexion de conduit en deux parties, la partie supérieure doit être placée à l'extérieur de la partie inférieure. Ne raccordez pas le conduit d'évacuation de la cuisinière au conduit utilisé pour évacuer l'air chaud ou les vapeurs d'autres appareils s'il ne s'agit pas d'appareils électriques. Avant de procéder au montage, retirez le(s) filtre(s) antigraisse (fig. 7) afin de faciliter la manipulation de la hotte.

■ **AVERTISSEMENT - POUR DIMINUER LES RISQUES D'INCENDIE, DE CHOC ÉLECTRIQUE OU DE BLESSURES, VEUILLEZ SUIVRE LES INSTRUCTIONS SUIVANTES : Avant d'effectuer les connexions électriques à la source d'alimentation, assurez-vous que la boîte électrique est bien fixée comme illustré à la figure 1.**

Avant d'installer la hotte, fixez la boîte électrique comme illustré à la figure 1.

- Retirez la vis centrale (fig. 1A).
- Soulevez la tôle de la boîte électrique (fig. 1B).
- Retirez les 3 vis de fixation (fig. 1C).
- Placez la boîte électrique de façon qu'elle soit alignée avec les trous des vis que vous avez précédemment enlevées (fig. 1D) et remettez les vis.
- Assurez-vous que la languette de montage en saillie de la boîte électrique est située à l'intérieur de la fente, puis serrez la vis (fig. 1E).

• **Fixation sur le mur :**

Percez les trous **A** en respectant les distances indiquées (fig.3). Placez la hotte sur le mur et alignez-la à l'horizontale par rapport aux pièces déjà fixées au mur. Lorsque la hotte est bien ajustée, fixez-la solidement au mur à l'aide de vis **A** (fig. 5). Pour les diverses conditions d'installation, utilisez les vis et les ancrages adaptés à votre type de mur (ex. : béton armé, placoplâtre, etc.). Si les vis et les ancrages de vis sont fournis avec la hotte, assurez-vous qu'ils sont adaptés au type de mur sur lequel la hotte sera installée.

• **Installation sur un mur de placoplâtre :**

Assurez-vous que les vis sont bien fixées aux colombages du mur. Si cela n'est pas possible, vous devrez installer une structure permettant de supporter l'appareil faite de solives de 2 à 4 po (5,08 à 7 cm) situées aux points d'ancrage des vis.

• **Fixation du conduit télescopique décoratif :**

Montez la prise d'alimentation électrique en fonction des dimensions du conduit décoratif. Si votre hotte est installée en version conduit ou en version avec moteur externe, préparez l'ouverture pour l'évacuation de l'air. Ajustez la largeur de la fixation du support du conduit supérieur (fig. 4). Puis, fixez le conduit à proximité du plafond à l'aide de vis **A** (fig. 4) de manière à ce qu'il soit aligné avec la hotte et en respectant la distance indiquée par rapport au plafond (fig.3). Raccordez la bride **C** à l'ouverture d'évacuation de l'air à l'aide d'un tuyau de raccordement (fig. 5). Insérez le conduit supérieur dans le conduit inférieur. Sortez le conduit supérieur jusqu'à la fixation et vissez-le à l'aide de vis **B** (fig. 4).

• **Modèle avec filtre (filtres à charbon sur certains modèles) :**

Installez la hotte et les deux conduits comme décrit dans le paragraphe portant sur l'installation de la hotte en version conduit. Pour assembler le conduit à filtre, reportez-vous aux instructions contenues dans l'ensemble de filtration. Les filtres doivent être fixés à l'élément de succion situé à l'intérieur de la hotte. Ils doivent être centrés en les tournant à 90 degrés jusqu'à la butée d'arrêt (fig. 6).

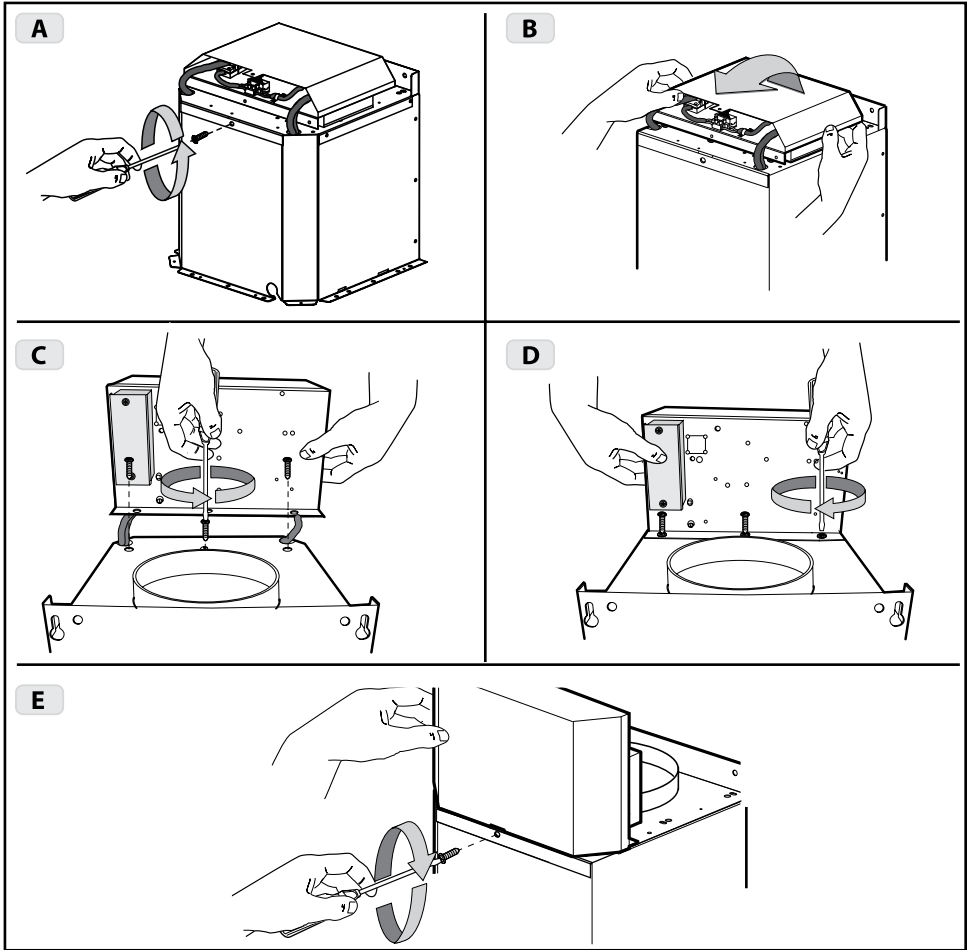


Fig.1

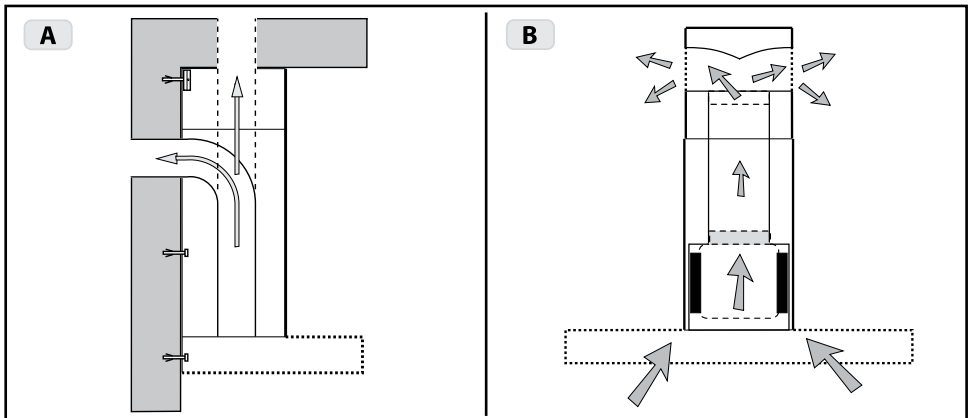


Fig. 2

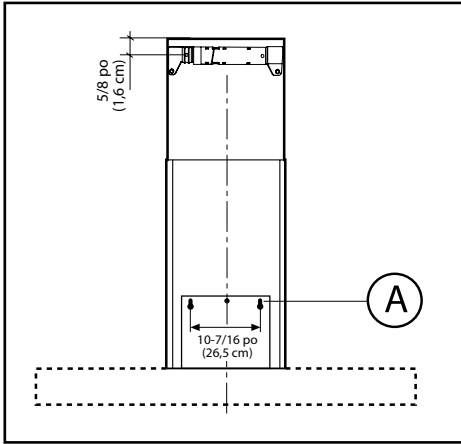


Fig. 3

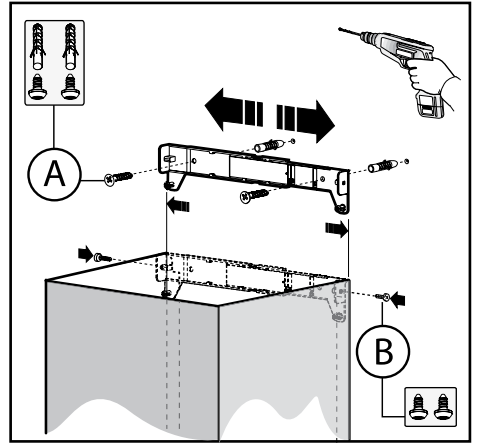


Fig. 4

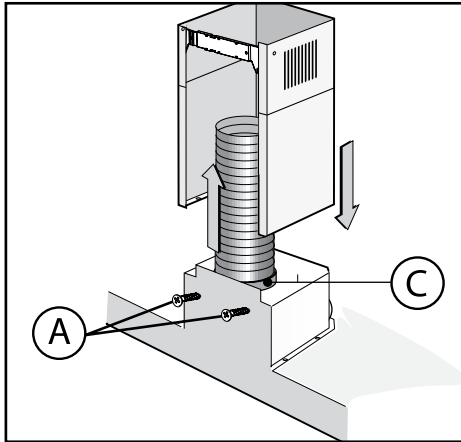


Fig. 5

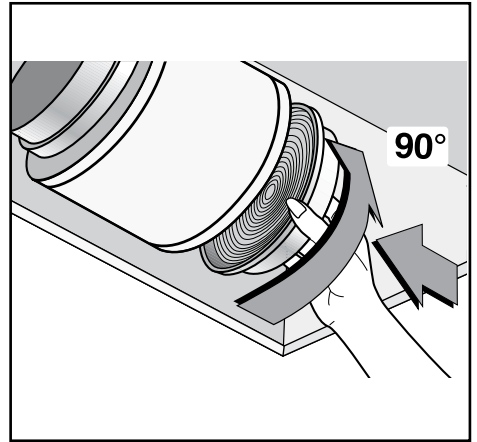


Fig. 6 Sur certains modèles

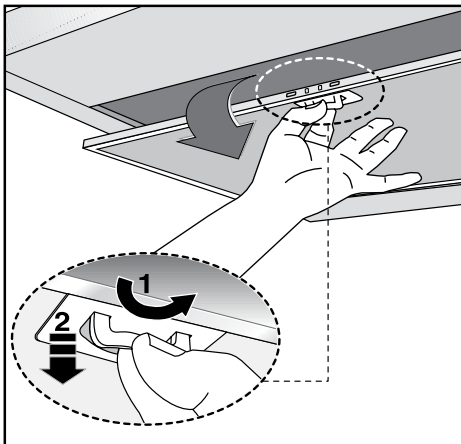


Fig. 7

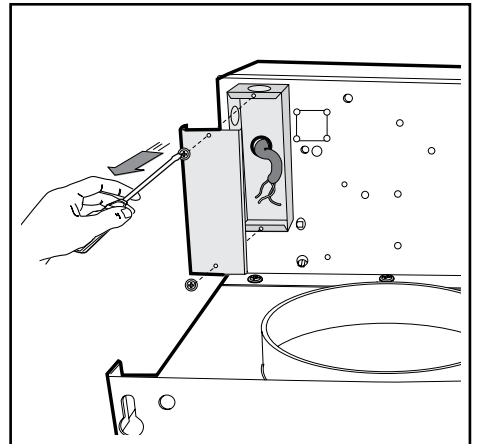


Fig. 8

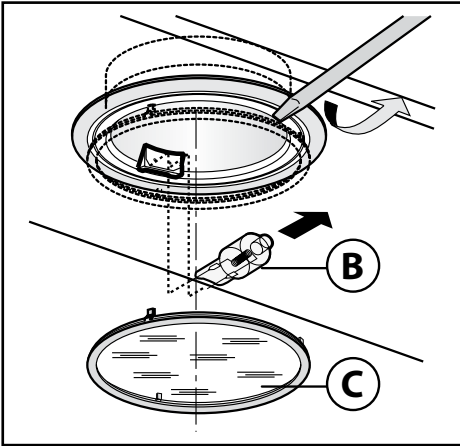


Fig. 9

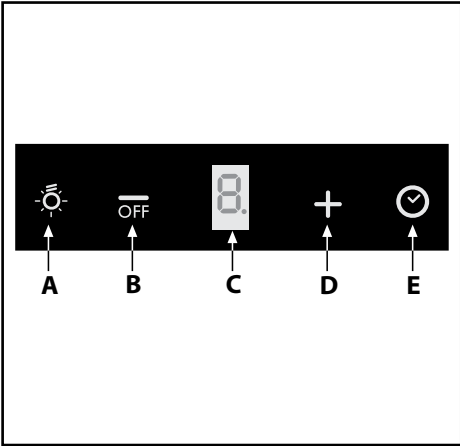


Fig. 10

AVANT DE CONTACTER LE SERVICE DE DÉPANNAGE...

Conseils de dépannage

Économisez du temps et de l'argent! Consultez le tableau ci-dessous pour éviter tout appel de service qui ne serait pas nécessaire.

Problème	Causes possibles	Solutions
Le ventilateur ne fonctionne pas lorsque la commande est activée	Un fusible peut être grillé ou le disjoncteur s'est déclenché.	<ul style="list-style-type: none">• Remplacez le fusible ou réenclenchez le disjoncteur.
Le ventilateur ne fait pas circuler l'air ou il déplace l'air plus lentement qu'à la normale	Les filtres sont très encrassés.	<ul style="list-style-type: none">• Nettoyez les filtres et remettez-les en place. Reportez-vous à la section <i>Filtres à graisses métalliques réutilisables</i>.• Remplacez les filtres s'ils sont trop encrassés pour être nettoyés. Si les filtres ne sont pas encrassés, ou si le fait de les remplacer ne règle pas le problème, communiquez avec le service d'entretien.
Le ventilateur effectue continuellement des cycles d'arrêt et de marche	Le moteur surchauffe probablement et s'arrête de lui-même. Cela peut endommager le moteur. Les filtres sont très encrassés.	<ul style="list-style-type: none">• Remplacez les filtres s'ils sont sales. Si les filtres ne sont pas encrassés, ou si le fait de les remplacer ne règle pas le problème, communiquez avec le service de réparation.

Sécurité

Utilisation

Entretien et nettoyage

Dépannage

Service à la clientèle

NOTES

Garantie Mabe



Toutes les réparations sous garantie sont effectuées par nos Centres de réparation ou par nos réparateurs agréés Customer Care®. Pour faire la demande d'une réparation en ligne, visitez le www.electromenagersge.ca ou appelez au 1-800-561-3344. Veuillez avoir les numéros de série et de modèle de votre appareil à portée de main lorsque vous appelez pour obtenir un service.

Agrafez votre facture ici.
Une preuve de la date d'achat d'origine est requise pour bénéficier du service de réparation sous garantie.

Période de garantie : *Mabe remplacera :*

Un an
à compter de la date
d'achat d'origine

Toute pièce défectueuse de la hotte de cuisinière en raison d'un vice de matériau ou de fabrication.
Au cours de cette **garantie limitée d'un an**, Mabe fournira également, **sans frais**, toute la main-d'œuvre pour la réparation ou le remplacement à domicile de la pièce défectueuse.

Ce que Mabe ne couvre pas :

- Toute visite à votre domicile pour vous expliquer le fonctionnement de l'appareil.
- L'installation, la livraison ou un entretien inadéquats.
- Toute défectuosité du produit attribuable à une utilisation abusive ou inadéquate, s'il a été utilisé à toute autre fin que celle pour laquelle il a été conçu, ou s'il a été utilisé à des fins commerciales.
- Le remplacement des fusibles ou le réenclenchement des disjoncteurs de votre domicile.
- Tout dommage au produit attribuable à un accident, un incendie, une inondation ou une catastrophe naturelle.
- Tout dommage accessoire ou indirect, causé par des défaillances possibles de l'appareil.
- Tout dommage causé après la livraison.
- Tout produit auquel il n'est pas possible d'accéder pour effectuer les réparations nécessaires.

EXCLUSION DES GARANTIES IMPLICITES — *Votre seul et unique recours est de faire réparer le produit dans le cadre de cette garantie limitée. Toute garantie implicite, incluant la garantie de qualité marchande ou d'adaptabilité du produit à un usage particulier, est limitée à un an ou à la période la plus courte autorisée par la loi.*

Cette garantie est offerte à l'acheteur initial, ainsi qu'à tout propriétaire subséquent d'un produit acheté en vue d'une utilisation domestique au Canada. Si le produit se situe dans une zone où aucun réparateur agréé par Mabe n'est disponible, vous devrez peut-être assumer les frais de déplacement de celui-ci ou apporter le produit à un atelier de réparation agréé par Mabe.

Dans certaines provinces, il est interdit d'exclure ou de limiter les dommages indirects ou accessoires. La présente garantie vous confère des droits juridiques spécifiques. Vous pouvez bénéficier d'autres droits, qui varient d'une province à l'autre. Pour connaître les droits dont vous bénéficiez dans votre province, communiquez avec le bureau des Relations avec les consommateurs de votre région ou de votre province.

Garant : Mabe Canada Inc. Burlington, Ontario

Sécurité

Utilisation

Entretien et nettoyage

Dépannage

Service à la clientèle



Site Web des électroménagers GE

www.electromenagersge.ca

Vous avez des questions ou vous avez besoin d'aide concernant votre appareil? Consultez le site Web des électroménagers GE accessible 24 heures sur 24, tous les jours de l'année! Pour un service pratique encore plus rapide, vous pouvez maintenant télécharger des manuels, commander des pièces ou même faire une demande de réparation en ligne.



Demande de réparation

www.electromenagersge.ca

Le service de réparation expert de Mabe est facilement accessible. Demandez une réparation en ligne, peu importe la journée! C'est pratique! Vous pouvez également téléphoner au 1-800-561-3344 durant les heures normales de bureau.



Pièces et accessoires

www.electromenagersge.ca

Les personnes ayant les compétences requises pour réparer elles-mêmes leurs appareils peuvent recevoir directement à la maison des pièces ou accessoires (les cartes VISA et MasterCard sont acceptées). Commandez par téléphone au 1-800-661-1616 pendant les heures normales d'ouverture.

Les instructions contenues dans le présent manuel comportent des procédures que tout utilisateur peut effectuer. Les autres types de réparation doivent généralement être confiés à un technicien qualifié. Usez de prudence, car une réparation ou un entretien mal effectué peut rendre l'utilisation de l'appareil dangereuse.



Communiquez avec nous

www.electromenagersge.ca

Si vous n'êtes pas satisfait du service après-vente de GE, communiquez avec nous sur notre site Web en fournissant tous les détails et votre numéro de téléphone, ou écrivez à :

General Manager, Consumer Relations
Mabe Canada Inc.
Suite 310, 1 Factory Lane
Moncton N.-B. E1C 9M3



Enregistrez votre appareil

www.electromenagersge.ca

Enregistrez votre nouvel appareil en ligne, au moment qui vous convient le mieux! L'enregistrement de votre produit dans les délais prescrits permet une meilleure communication et un service rapide, selon les modalités de votre garantie, si besoin est. Vous pouvez également envoyer par courrier la carte d'enregistrement préimprimée qui se trouve dans l'emballage de votre appareil.