

CDWT980R

GE Café Dishwasher with SmartDispense™ Technology

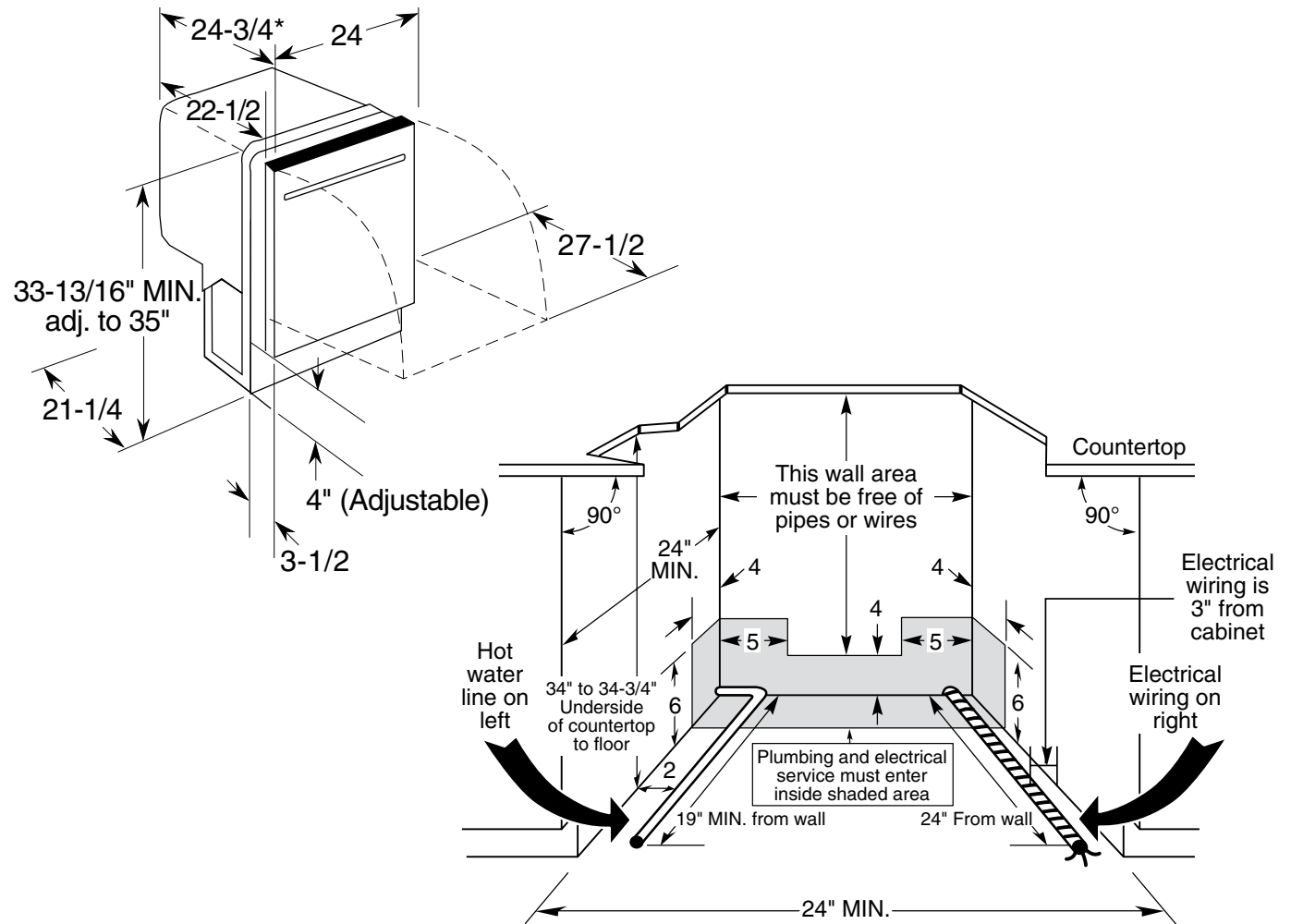
Dimensions and Installation Information (in inches)

Electrical Rating

Voltage AC.....	120
Hertz.....	60
Total connected load amperage.....	9.9
Calrod® heater watts max.....	875

For use on adequately wired 120-volt, 15-amp circuit having 2-wire service with a separate ground wire. This appliance must be grounded for safe operation.

Installation Information: Before installing, consult installation instructions packed with product for current dimensional data.



For answers to your Monogram®, GE Profile™ or GE® appliance questions, visit our website at ge.com or call GE Answer Center® service, 800.626.2000.



Listed by Underwriters Laboratories



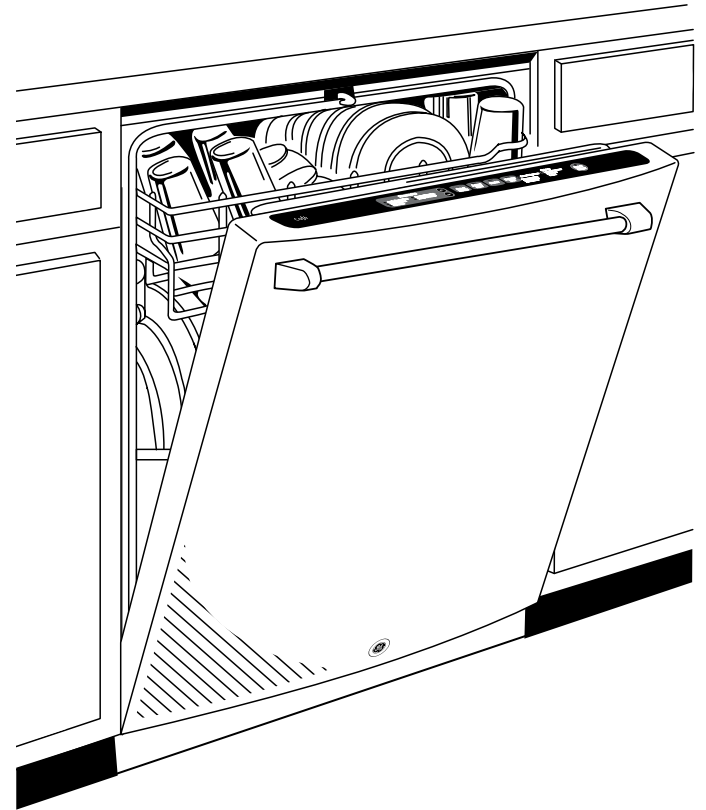
As an ENERGY STAR® partner, GE has determined that this product meets the ENERGY STAR guidelines for energy efficiency.

CDWT980R

GE Café Dishwasher with SmartDispense™ Technology

Features and Benefits

- PureClean wash system with 5-stage filtration - Multiple filtration levels ensure clean dishes
- ENERGY STAR® Qualified - Meets or exceeds federal guidelines for energy efficiency for year-round energy and money savings
- SmartDispense™ technology - Holds up to 47 oz of detergent and dispenses it at just the right time
- DeepClean™ cycle with Steam Prewash - Steam helps to loosen tough soils, like eggs, oatmeal and rice
- Eclipse black nylon deep-tiered rack - Durable racks are designed to resist rust and secure dishes
- Two utility shelves in tiered upper rack with StemSafe™ - Long-lasting shelves help organize racks and protect delicate stemware
- Electronic controls with 5 cycles/5 options - Modern controls make it easy to program the dishwasher
- QuietPower™ 48 sound package with ActiveVent - 48 dBA - ActiveVent™ panel closes to keep wash sounds inside
- Model CDWT980RSS - Stainless steel



imagination at work