

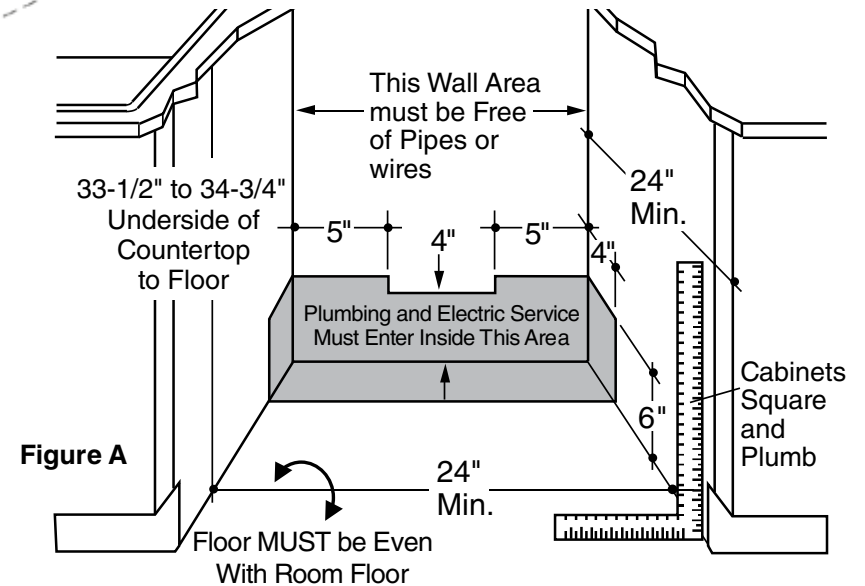
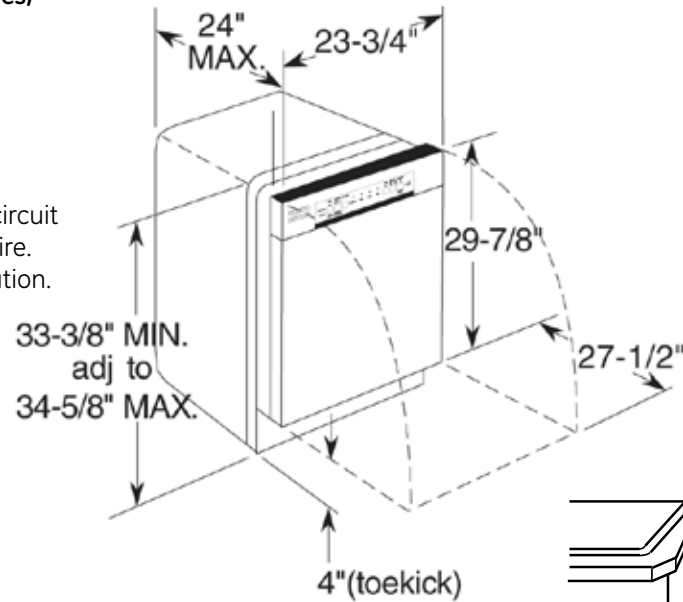
# GDF520PGD/PSD GE® Dishwasher with Front Controls

## Dimensions and Installation Information (in inches)

### Electrical Rating

Voltage AC.....	120
Hertz.....	60
Total connected load amperage.....	7.1
Calrod® heater watts.....	415/800

For use on adequately wired 120-volt, 15-amp circuit having 2-wire service with a separate ground wire. This appliance must be grounded for safe operation.



For answers to your Monogram® Cafe™ Series, Profile™ Series or GE® appliance questions, visit our website at [geappliances.com](http://geappliances.com) or call GE Answer Center® service, 800.626.2000.



Listed by  
Underwriters  
Laboratories



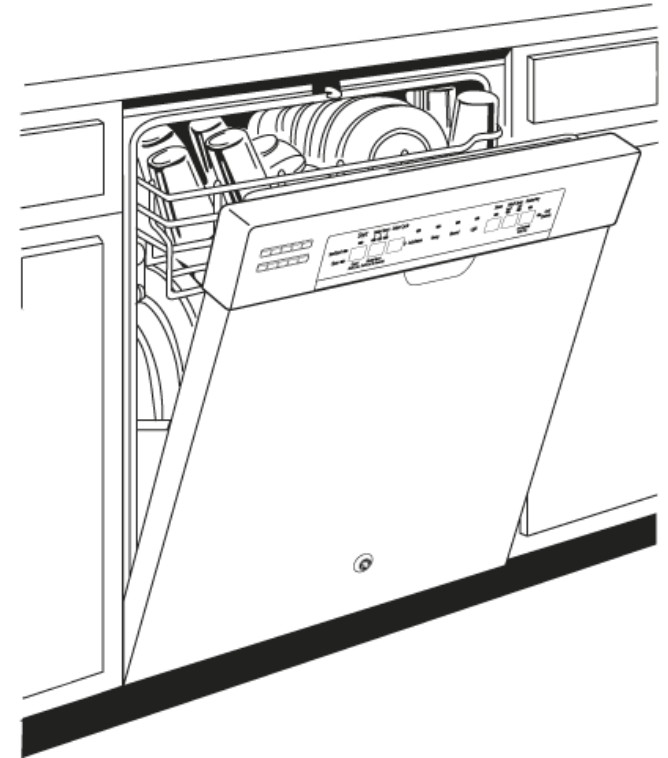
As an ENERGY STAR® partner, GE has determined that this product meets the ENERGY STAR guidelines for energy efficiency.

# GDF520PGD/PSD

## GE® Dishwasher with Front Controls

### Features and Benefits

- GE's most advanced wash system - Consistently clean, dry and sanitized dishes are ensured with GE's most advanced wash system, combining 65% more wash power\* with advanced performance features \*Wash power delivered to each rack. Compared to previous GE models
- Piranha™ hard-food disposer with removable filter - To ensure consistently clean items, this stainless steel blade rotates at 3,600 RPM to pulverize food particles. The disposer helps to prevent large particles from clogging the wash arms
- Steam Prewash - Loosens tough soils before any cycle, virtually eliminating the need for soaking or pre-rinsing dishes
- Sanitize option (NSF Residential) - High-temperature rinse sanitizes and reduces 99.99% of bacteria found on dishes
- SpaceMaker® Silverware Basket - Enjoy table-ready silverware and loading flexibility with this unique basket that can be placed on the rack or onto the door
- Pearlescent dark gray racks with ball tip tines - Offer durability and secure dishes
- 2/4/8-hour Delay Start - Wash dishes at your convenience
- 54 dBA with status light on door - A dishwasher this quiet has a status light to let you know it is running
- Dedicated Silverware Jets - Get table-ready silverware thanks to powerful jets that focus on silverware baskets in multiple locations
- Model GDF520PSDSS – Stainless steel
- Model GDF520PGDWW – White on white
- Model GDF520PGDBB – Black on black
- Model GDF520PGDCC - Bisque



imagination at work



As an ENERGY STAR® partner, GE has determined that this product meets the ENERGY STAR guidelines for energy efficiency.