



# DISHWASHERS

**SAFETY INFORMATION** .....3

**USING THE DISHWASHER**

Getting Started.....5

Dispensers.....8

Appliance Communications .....10

Loading ..... 11

**CARE AND CLEANING** .....16

**TROUBLESHOOTING TIPS**.....19

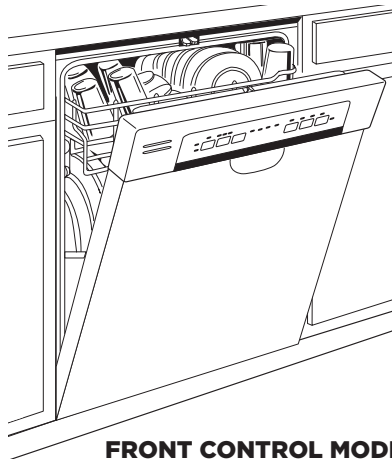
**WARRANTY**.....23

**CONSUMER SUPPORT** ..... 24

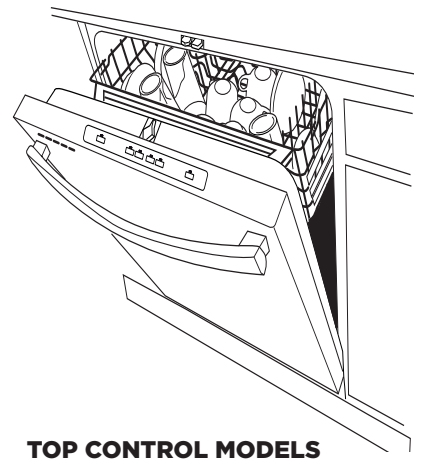
## OWNER'S MANUAL

GDF510-640 Series  
 GDT535-635 Series  
 GDP615 Series

**ENGLISH/FRANÇAIS/  
 ESPAÑOL**



**FRONT CONTROL MODELS**



**TOP CONTROL MODELS**

Write the model and serial numbers here:

Model # \_\_\_\_\_

Serial # \_\_\_\_\_

You can find them on a label on the tub wall just inside the door.

## **THANK YOU FOR MAKING GE APPLIANCES A PART OF YOUR HOME.**

---

Whether you grew up with GE Appliances, or this is your first, we're happy to have you in the family.

We take pride in the craftsmanship, innovation and design that goes into every GE Appliances product, and we think you will too. Among other things, registration of your appliance ensures that we can deliver important product information and warranty details when you need them.

Register your GE appliance now online. Helpful websites and phone numbers are available in the Consumer Support section of this Owner's Manual. You may also mail in the pre-printed registration card included in the packing material.



# IMPORTANT SAFETY INFORMATION

## READ ALL INSTRUCTIONS BEFORE USING THE APPLIANCE

**▲WARNING** For your safety, the information in this manual must be followed to minimize the risk of fire, explosion, electric shock, and to prevent property damage, personal injury, or death.

### **▲WARNING** PROPER INSTALLATION AND MAINTENANCE

This dishwasher must be properly installed and located in accordance with the Installation Instructions before it is used. If you did not receive an Installation Instructions sheet with your dishwasher, you can receive one by visiting our Website at [GEAppliances.com](http://GEAppliances.com). In Canada, visit [www.GEAppliances.ca](http://www.GEAppliances.ca).

- Connect the dishwasher/appliance to a grounded metal, permanent wiring system; or run an equipment-grounding conductor with the circuit conductors and connect to the equipment-grounding terminal or lead of the appliance.
  - Improper connection of the equipment-grounding conductor can result in a risk of electric shock. Check with a qualified electrician or service representative if you are in doubt whether the appliance is properly grounded.
  - Dispose of discarded appliances and shipping or packing material properly.
  - Do not attempt to repair or replace any part of your dishwasher unless it is specifically recommended in this manual. All other servicing should be referred to a qualified technician.
  - Use only cord kit WX09X70910 or hard-wire to building electrical. Failure to follow this instruction, could result in risk of fire and personal injury.
  - To minimize the possibility of electric shock, disconnect this appliance from the power supply before attempting any maintenance.
- NOTE:** Turning the dishwasher off does not disconnect the appliance from the power supply. We recommend having a qualified technician service your appliance.

### **▲WARNING** WHEN USING YOUR DISHWASHER, FOLLOW BASIC PRECAUTIONS, INCLUDING THE FOLLOWING:

- Use this appliance only for its intended purpose as described in this Owner's Manual.
- Use only detergents or wetting agents recommended for use in a dishwasher and keep them out of reach of children. Using a detergent that is not specifically designed for dishwashers will cause the dishwasher to fill with suds.
- Locate sharp items so that they are not likely to damage the door seal.
- Load sharp knives with the handles up to reduce the risk of cut-type injuries.
- Do not wash plastic items unless marked dishwasher safe or the equivalent. For plastic items not so marked, check the manufacturer's recommendations.
- Do not touch the heating element during or immediately after use.
- Do not operate your dishwasher unless all enclosure panels are properly in place.
- Do not tamper with controls.
- Do not abuse, sit on or stand on the door or dish rack of the dishwasher.
- To reduce the risk of injury, do not allow children to play with, on or inside this appliance at any time.
- Do not store or use combustible materials including gasoline or other flammable liquids or vapors in the vicinity of this or any other appliance.
- Small parts, such as rack clips and filter retaining posts, can be a choke hazard to small children if removed from the dishwasher. Keep out of reach of small children.

## READ AND SAVE THESE INSTRUCTIONS

# IMPORTANT SAFETY INFORMATION

## READ ALL INSTRUCTIONS BEFORE USING THE APPLIANCE

### ⚠ WARNING WATER HEATER SAFETY

Under certain conditions, hydrogen gas may be produced in a water heater that has not been used for two or more weeks. **HYDROGEN GAS IS EXPLOSIVE.**

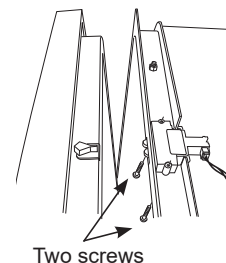
If the hot water has not been used for two or more weeks, prevent the possibility of damage or injury by turning on all hot water faucets and allowing them to run for several minutes. Do this before using any electrical appliance connected to the hot water system. This simple procedure will allow any built-up hydrogen gas to escape. Since the gas is flammable, do not smoke, use an open flame, or use the appliance during this process.

### ⚠ WARNING RISK OF CHILD ENTRAPMENT

#### PROPER DISPOSAL OF THE DISHWASHER

Junked or abandoned dishwashers are dangerous...even if they will sit for “just a few days.” If you are getting rid of your dishwasher, please follow the instructions below to help prevent accidents.

- Do not allow children to play with, on, or inside this or any discarded appliance.
- Take off the door of the washing compartment or remove the latch by removing the two screws from the latch receiver inside the tub (as shown).



### ⚠ CAUTION TO PREVENT MINOR INJURY AND PROPERTY DAMAGE

- During or after wash cycle, contents may be hot to the touch. Use care before handling.
- Close supervision is necessary if this appliance is used by or near children. Do not allow children to play around the dishwasher when closing the door, closing the upper rack, or while vertically adjusting the upper rack due to the possibility of small fingers being pinched.
- Non-Dishware Items: Do not wash items such as electronic air cleaner filters, furnace filters and paint brushes in your dishwasher. Damage to the dishwasher and discoloration or staining of the dishwasher may result.
- Load light-weight, plastic items so they do not become dislodged and drop to the bottom of the dishwasher—they might come into contact with the heating element and be damaged.

### ⚠ CAUTION ELECTRICAL REQUIREMENTS

- This appliance must be supplied with 120V, 60 Hz, and connected to an individual, properly grounded branch circuit, protected by a 15 or 20 amp circuit breaker or time-delay fuse.
- If the electric supply provided does not meet the above specifications, it is recommended that a licensed electrician install an approved outlet.
- Your dishwasher circuit should not be used for any other appliance while the dishwasher is in operation as the dishwasher requires the full capacity of the circuit.

### ⚠ NOTICE

- If your dishwasher is connected to a wall switch, ensure that the switch is on prior to use.
- If you choose to turn the wall switch off between wash cycles, allow 5-10 seconds after turning the switch on before touching **Start** to allow the control to initialize.
- Use only powder, **Finish® Quantum® Automatic Dishwashing Detergent**, liquid detergents or rinse agents recommended for use in a dishwasher and keep them out of the reach of children. **Finish® Quantum® Automatic Dishwashing Detergent**, and **Finish® Jet-Dry® Rinse Aid** rinse agents have been approved for use in all GE Appliances dishwashers.

## READ AND SAVE THESE INSTRUCTIONS

# Getting started

Features and appearance will vary throughout this manual

**1 Load Dishwasher**  
 For best dishwashing results, follow the loading guidelines found in the **Loading** section. No pre-rinsing of normal food soil is required. Scrape off hard soils, including bones, toothpicks, skins, and seeds. Remove leafy vegetables, meat trimmings, and excessive amounts of grease or oil.

**2 Add Detergent**  
 Add needed amount of detergent to the detergent dispenser. Use detergent such as **Finish® Quantum® Automatic Dishwashing Detergent**. See **Dispensers** section.

**3 Add Rinse Agent**  
 Add rinse agent such as **Finish® Jet-Dry® Rinse Aid** to the rinse agent dispenser. See **Dispensers** section.  
**NOTE:** The use of rinse aid can further enhance the dishwasher's drying performance.

**4 Select Cycle**  
 Press the **Select Cycle** pad for the desired wash cycle. The light next to the **Select Cycle** pad will be lit to indicate which wash cycle has been selected.

**NOTE:** Cycle times vary based on soil level, water temperature, and options selected.

The cycle may be selected with the door in the open position. The cycle will not start until the **Start** pad is pushed and the door is closed within 4 seconds.

**AutoSense** This cycle automatically senses the soil level and adjusts the wash cycle accordingly.  
 (on some models)

**Heavy** This cycle is meant for heavily soiled dishes, cookware, pots, or pans with dried-on or baked-on soils. Everyday dishes are safe to be used in this cycle.

**Normal** This cycle is meant for daily, regular, or typical use to completely wash a full load of normally soiled dishes and is designed to conserve both water and energy. **Normal** was used to rate the energy efficiency of this dishwasher.

**1 Hour** This cycle is for light to medium soiled dishes and takes about 1 hour. It is safe for china and crystal with no options selected.

**Rinse** For rinsing partial loads that will be washed later. **Do not use detergent.** Detergent is not dispensed during the rinse cycle.  
 (on some models)

# Getting started

## 5 Select Options

The light by the selected pad will be lit to indicate which Option has been selected.

<b>Wash Temp Boost</b> (on some models)	This option increases the temperature to help clean heavily soiled dishes and will increase the cycle time by 20 to 50 minutes. Option may be turned <b>On</b> or <b>Off</b> during the wash cycle. This option will also improve dry performance on the <b>Normal</b> cycle.
<b>Steam Sani</b> (on some models)	This option has several functions. Steam is introduced at the beginning of the cycle to help with heavily soiled and/or dried-on, baked-on soils and for sanitization of dishware along with improving dry performance by raising the water temperature in the final rinse. The cycle length will vary depending on the temperature of your inlet water. This option <b>MUST</b> be selected <b>PRIOR</b> to starting the cycle. Available with <b>Heavy</b> , <b>AutoSense</b> and <b>Normal</b> cycles. <b>NOTE:</b> This option is monitored for sanitization requirements. If the cycle is interrupted during or after the main wash portion or if the incoming water temperature is so low that adequate water heating cannot be achieved, the sanitizing conditions may not be met. In these cases, the Sanitized light will not illuminate at the end of the cycle. Utilizing this option will modify the cycle to meet the requirements of Section 6, NSF 184 for soil removal and sanitization efficacy. <b>NOTE:</b> NSF certified residential dishwashers are not intended for licensed food establishments.
<b>Heated Dry</b>	This option can be selected by pressing the <b>Dry</b> button once to illuminate the Heated light. This setting will greatly improve your dry performance for daily, regular or typical dishes. The heated dry option will typically add 48 minutes to your cycle time. This option is not available with the <b>Rinse</b> cycle. <b>NOTE:</b> The use of rinse aid can further enhance the dishwasher's drying performance. <b>Heated Dry</b> was selected to rate the energy efficiency of this dishwasher.
<b>Dry Boost</b>	This option can be selected by pressing the <b>Dry</b> button twice to illuminate the Boost light. This option will add additional time to your heated dry option, further enhancing the dishwasher's drying performance for difficult to dry items. <b>NOTE:</b> The use of rinse aid can further enhance the dishwasher's drying performance.
<b>Heated Dry Off</b>	Shuts off the drying option. Dishes air dry naturally and energy is saved. Opening the door at the end of the cycle can improve drying performance. <b>NOTE:</b> The use of rinse aid can further enhance the dishwasher's drying performance.
<b>Bottle Jets</b> (on some models)	This option increases the time that the bottle jets are on and may add up to 23 minutes to the cycle time. Use this to wash difficult to clean, dishwasher safe baby bottles, sport bottles, tall coffee cups, etc. See use recommendations in the <b>Loading</b> section.
<b>Wash Zones</b> (on some models)	Selecting either the Upper or Lower <b>Wash Zones</b> will target dishwashing of just one rack. This will shorten the cycle time and conserve energy. This option should be used when dishes are placed in only one rack.
<b>Delay Hours</b> (on some models)	Delays the start of a wash cycle up to 8 to 12 hours depending on model. Press <b>Delay Hours</b> , to select the number of hours, then press <b>Start</b> one time and close door to begin countdown. The cycle will start once allotted time has expired.
<b>Control Lock</b>	You can lock the controls to prevent selections from being made. You can also lock the controls after you have started a cycle to prevent cycle changes. For example, children cannot accidentally start the dishwasher by pressing pads with this option selected.  <b>To LOCK/UNLOCK the dishwasher control</b> , depending on the model, press and hold the <b>Dry</b> and <b>Steam</b> pads, or on some models the <b>Select Cycle</b> pad for 3 seconds. The Lock Controls light, or on some models the Light and Rinse cycle lights will turn on to indicate the control is locked and will turn off to indicate the control is unlocked.

# Getting started

---

## 6 Start Dishwasher

- Start** Door can be open to select the desired options. Press the **Start** pad and close the door within 10 seconds to start the cycle or begin the **Delay Hours** countdown. The wash cycle will begin shortly after closing the door. If the door is open, the illuminated lights will turn off if a pad is not pressed within two minutes. To activate the display, close and open the door or press any pad.

---

- Interrupt or Pause** To interrupt or pause a dish cycle, slowly open the door. Opening the door will cause the wash cycle to pause. The dishwasher will beep every minute to remind you to close the door. To restart or resume the cycle, press **Start**, and close the door within 4 seconds.

---

- Cancel** To cancel a wash cycle, press and hold the **Start** pad for 3 seconds and close door. The dishwasher will drain, emit a beep sound, and the wash cycle light will turn OFF.

## 7 Cycle Indicator Lights and Sounds

- Sanitized** Displayed at end of the cycle when **Wash Temp Sani (Sanitize)** has been selected and dishwasher has met requirements for sanitization. See **Wash Temp Sani (Sanitize)**, for complete description. Opening the door or pressing any key while the door is closed will turn off the light.

---

- Clean** Displayed when a wash cycle is complete. The light stays ON as a reminder that the dishes are clean. Opening the door or pressing any key while the door is closed will turn the light off.

---

- Sabbath/Door Wake Up Mode**  
(on some models) To turn this option ON/OFF, press and hold the **Start** and **Wash Temp** pads for 5 seconds, close the door and wait 3 minutes for the dishwasher to go into sleep mode. In the OFF mode, the control display, control sounds, and interior lights (on some models) will not respond to the door opening/closing. This mode can be used when observing certain religious holidays such as the Sabbath. To activate the control and interior lights (on some models), press any button.

# Dispensers

## Check the Water Temperature

The entering water should be at least 120°F (49°C) and not more than 150°F (66°C) for effective cleaning and to prevent dish damage. Check the water temperature with a candy or meat thermometer.

Turn on the hot water faucet nearest the dishwasher, place the thermometer in a glass and let the water run continuously into the glass until the temperature stops rising.

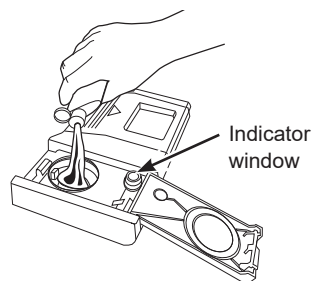
## Use a Rinse Agent

Rinse agents, such as **Finish® Jet-Dry® Rinse Aid** are designed for great drying action and to protect against spots and film build-up on your dishes, glasses, flatware, cookware, and plastic.

## Filling the Rinse Agent Dispenser

The rinse agent dispenser holds 3.5 oz. (104 ml) of rinse agent. Under normal conditions, this will last approximately one month.

- 1 Make sure the dishwasher door is fully open.
- 2 Open the rinse agent dispenser door.
- 3 Slowly add rinse agent until the cup is full. You may need to pause several times to allow rinse aid to settle. **NOTE:** Indicator window does not light up.
- 4 Clean up any spilled rinse agent with a damp cloth to prevent foam from forming inside the dishwasher.
- 5 Close the rinse agent dispenser door.

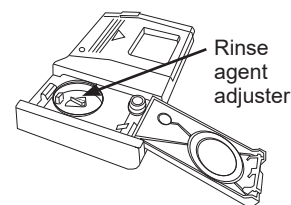


## Rinse Aid Setting

The amount of rinse agent released into the final wash can be adjusted. If water drops or hard water spots remain on dishes after the dry cycle, increase the setting.

## To adjust the setting

Open the Rinse Agent dispenser door; then turn the adjuster clockwise to increase the amount of rinse agent, counterclockwise to reduce the amount of rinse agent.



Clockwise to reduce water drops and hard water spots



Counterclockwise to reduce foaming

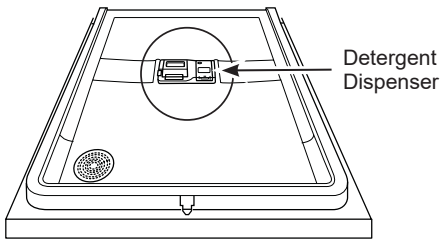


# Dispensers

## Detergent Dispenser

The detergent dispenser is located in the center of the dishwasher door. It has two compartments. The main wash compartment is found inside the detergent dispenser. To open, press the button on the side of the dispenser. The pre-wash compartment is on the lid of the detergent dispenser. Use the pre-wash compartment only when your water is extremely hard or when you have a heavy soiled load. The pre-wash compartment is not used when tablet or packet detergents are used.

**NOTE:** Do not block detergent dispenser with large or tall dishware.



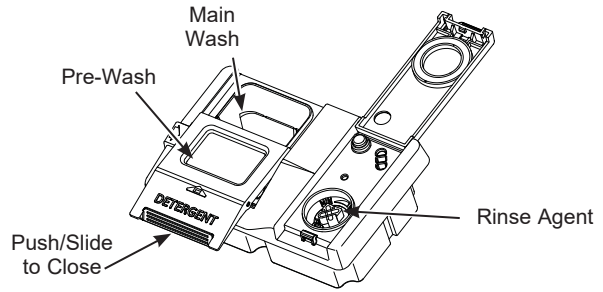
You may use tablet, packet, powder, liquid or gel automatic dishwasher detergent. Make sure you use only detergents specifically labeled for use in automatic dishwashers. Never use liquid hand dish detergent in an automatic dishwasher. Sudsing and poor wash performance will result with the use of improper detergents.

Detergents should be stored in a dry location and in their original container to prevent loss of effectiveness. Place detergent in the cup just prior to starting the dishwasher and then close the cover. The cover will open during the wash cycle.

### Filling the Detergent Dispenser

GE Appliances recommends using detergent in tablet or packet form. Independent testing has shown this form of detergent is very effective in the dishwasher. **Finish® Quantum® Powerball®** is an example of this type of detergent. Simply put a tablet or packet into the main wash compartment and close the detergent cup cover. Please notice that the tablet or packet must be placed in the main wash compartment of the detergent cup. If the tablet or packet is placed in the prewash compartment or tossed in the bottom of the dishwasher, the detergent will be flushed down the drain in a very short period of time and will thus be wasted. Wash performance will be very poor as a result.

If you choose to use detergent in powder, liquid or gel form, the amount of detergent you use will be determined by the hardness of your water, the temperature of your water, and the food soil load inside the dishwasher. Contact your water company to get information about the hardness of the water in your area. Water hardness is measured in grains per gallon. Use this information and the table above to determine the amount of detergent to use. You may purchase a hard water test strip from GE Appliances. Call 877-959-8688 and ask for part number **WD01X10295**. In Canada, call 800-661-1616.

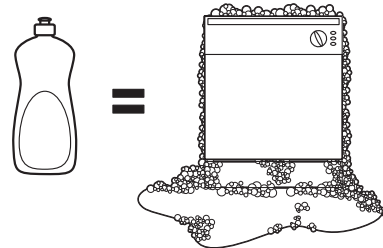


Use the table as a starting point and then adjust the amount of detergent you use. Use just enough to get good wash performance. Using just the right amount of detergent will provide great wash performance without wasting detergent or etching glassware.

Number of Grains/Gal.	Detergent Cup(s) to Fill
Less than 4	Fill cup to 1/3 full
4 to 8	Fill cup to 2/3 full
8 to 12	Fill cup completely full
Greater than 12	Fill both main wash cup and pre wash cup

Using too much detergent with very soft and/or very hot water may cause a condition called etching on your glassware. Etching is a permanent cloudiness in your glassware. This condition is irreversible. However, using too little detergent will cause poor wash performance.

### DO NOT USE HAND DISH DETERGENT



**NOTE:** Using a detergent that is not specifically designed for dishwashers will cause the dishwasher to fill with suds. During operation, these suds will spill out of the dishwasher vents, covering the kitchen floor and making the floor wet.

Because so many detergent containers look alike, store the dishwasher detergent in a separate space from all other cleaners. Show anyone who may use the dishwasher the correct detergent and where it is stored.

While there will be no lasting damage to the dishwasher, your dishes will not get clean using a dishwashing detergent that is not formulated for automatic dishwashers.

# Appliance Communication

---

## WiFi Connect (on some models) (for customers in the United States)

Some models are **GE Appliances WiFi Connect** capable. A WiFi communication card is built into the product allowing it to communicate with your smartphone for remote monitoring, control and notifications.

Please visit [www.GEAppliances.com/connect](http://www.GEAppliances.com/connect) to connect your appliance, learn more about connected appliance features and learn what connected appliance app's will work with your smartphone.

WiFi Connectivity: For assistance with the appliance or the **ConnectPlus** network connectivity, please call GE Appliances at **800-GE-CARES**.

*This device complies with Part 15 of the FCC Rules. Operation is subject to the following two conditions:*

- 1. This device may not cause harmful interference, and*
- 2. This device must accept any interference received, including interference that may cause undesired operation.*

*This equipment has been tested and found to comply with the limits for a Class B digital device, pursuant to Part 15 of the FCC Rules. These limits are designed to provide reasonable protection against harmful interference in a residential installation. This equipment generates uses and can radiate radio frequency energy and, if not installed and used in accordance with the instructions, may cause harmful interference to radio communications. However, there is no guarantee that interference will not occur in a particular installation. If this equipment does cause harmful interference to radio or television reception, which can be determined by turning the equipment off and on, the user is encouraged to try to correct the interference by one or more of the following measures:*

- Reorient or relocate the receiving antenna.*
- Increase the separation between the equipment and receiver.*
- Connect the equipment into an outlet on a circuit different from that to which the receiver is connected.*
- Consult the dealer or an experienced radio/television technician for help.*

**Labelling:** *Changes or modifications to this unit not expressly approved by the manufacturer could void the user's authority to operate the equipment.*

# Loading

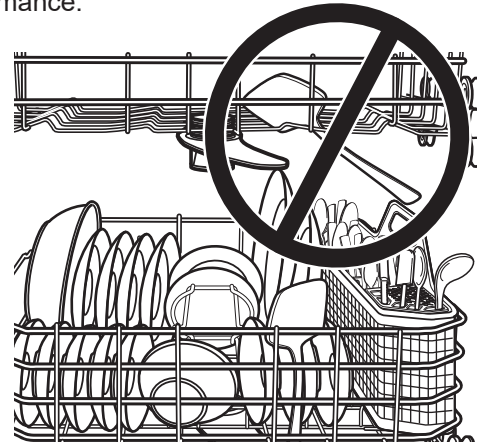
For best dishwashing results, follow these loading guidelines. Features and appearance of racks and silverware baskets may vary from your model.

## Upper Rack

The upper rack is primarily for glasses, cups, and saucers. For best wash performance, tilt cup and glass openings toward the center of the rack. Other items such as pots, pans, and plates may be placed in the upper rack. This is also a secure place for dishwasher-safe plastic items. The upper rack can be used for odd sized utensils. Sauce pans, mixing bowls, and other similarly shaped items should be placed face down for best wash performance. Ensure small plastic items are secure so that they cannot fall on the heater at the bottom of the dishwasher, potentially damaging the item.

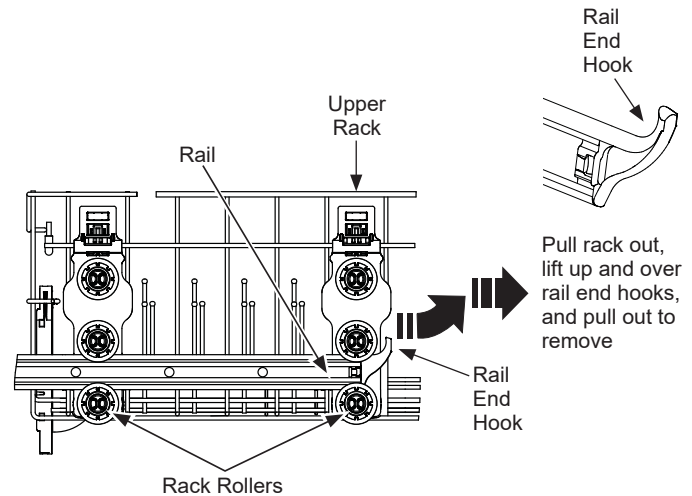
**IMPORTANT:** Ensure items in the upper rack do not interfere with the 3rd Rack (on some models) when loading and unloading.

**IMPORTANT:** Ensure that items do not protrude through the bottom of the rack or silverware basket where they will block the rotation of the middle spray arm. This could result in noise during operation and/or poor wash performance.



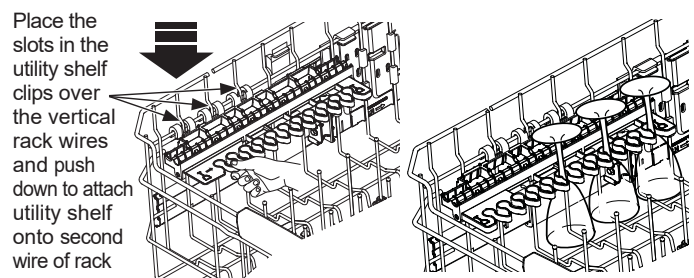
**CAUTION** A loaded upper rack may be heavier than anticipated. To prevent minor injury or damage to the contents, do not raise or lower the upper rack after the rack is loaded.

On some models, the upper rack may be adjusted to accommodate larger items. To adjust the upper rack, fully extend the upper rack and lift the front of the rack so that the rack roller wheels clear the end hooks on the front of the rails. Continue to pull the rack until the remaining rack roller wheels clear the end hook. Select the set of rollers on the side of the rack that provides the desired height, and reinstall the upper rack by aligning the rack roller wheels on the end hook and rack rails – Ensure that there are roller wheels above and below the rack rails. Failure to properly align the wheels onto the end hook and rails may result in the rack falling from the dishwasher.



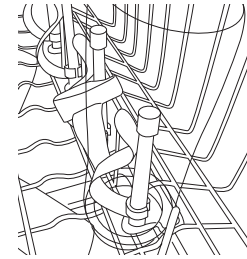
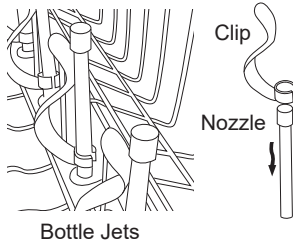
To add flexibility in loading, the stem safe shelf (on some models) may be placed in the up or down position or unfolded and placed in the lower unfolded position.

The shelf may also be used to secure stemware such as wine glasses. Because these stemware items come in various sizes, slowly push the rack in to ensure the items do not bump into the edges of the dishwasher, which may cause damage to the items.

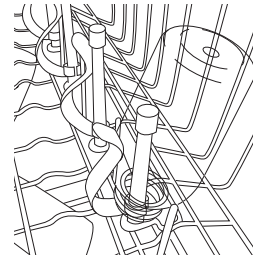


# Loading

The **Bottle Jets** system (on some models) is the ideal location to position baby bottles, tall sports bottles, or other tall items with narrow openings. The **Bottle Jets** clips hold bottles with small openings in place so water jets are directed inside the bottles to clean hard to reach areas. Clips can be installed or removed by simply slipping the clip opening over the top of the nozzle.



Sports bottle held in place over a Bottle Jets clip



Baby bottle held in place under a Bottle Jets clip

For best dishwashing results, follow these loading guidelines. Features and appearance of racks and silverware baskets may vary from your model.

**Upper Rack - 8 Place Settings**  
GDF510, GDF511, GDT535



**Upper Rack - 10 Place Settings**  
GDF510, GDF511, GDT535



**Upper Rack - 12 Place Settings**  
GDF510, GDF511, GDT535



**Upper Rack - 8 Place Settings**  
GDF530, GDT605, GDP615, GDT635



**Upper Rack - 10 Place Settings**  
GDF530, GDT605, GDP615, GDT635



**Upper Rack - 12 Place Settings**  
GDF530, GDT605, GDP615, GDT635



**Upper Rack - 8 Place Settings**  
GDF630 & GDF640



**Upper Rack - 10 Place Settings**  
GDF630 & GDF640



**Upper Rack - 12 Place Settings**  
GDF630 & GDF640



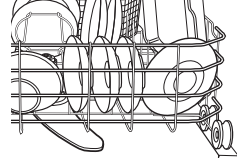
# Loading

For best dishwashing results, follow these loading guidelines. Features and appearance of racks and silverware baskets may vary from your model.

## Lower Rack

The lower rack is best used for plates, saucers and cookware items. Large items, such as broiler pans and baking racks should be placed along the sides of the rack. If necessary, oversized glasses and mugs can be placed in the lower rack to maximize loading flexibility. Plates, saucers and similar items should be placed between the tines in the direction that allows the item to remain secure in the rack.

**IMPORTANT:** It is important to ensure that items do not protrude through the bottom of the rack or the silverware basket where they will block the rotation of the lower spray arm. This could result in noise during operation and/or poor wash performance.



**Lower Rack - 8 Place Settings**  
GDF510, GDF511, GDF530, GDT535,  
GDT605, GDP615, GDT635



**Lower Rack - 10 Place Settings**  
GDF510, GDF511, GDF530, GDT535,  
GDT605, GDP615, GDT635



**Lower Rack - 12 Place Settings**  
GDF510, GDF511, GDF530, GDT535,  
GDT605, GDP615, GDT635



**Lower Rack - 8 Place Settings**  
GDF630\* & GDF640\*



**Lower Rack - 10 Place Settings**  
GDF630\* & GDF640\*



**Lower Rack - 12 Place Settings**  
GDF630 & GDF640



\*See the 3rd Rack in this Loading section, for 8 Place Settings and 10 Place Settings, of silverware.

# Loading

For best dishwashing results, follow these loading guidelines. Features and appearance of racks and silverware baskets may vary from your model.

## 3rd Rack (GDF630 & GDF640)

The 3rd rack is the recommended location for silverware and large utensils

**CAUTION** Take care when loading, unloading, or transporting the silverware or utensil tray. The tray may contain sharp or heavy items. If items are dropped from the tray or the tray is dropped, injury could occur.

### IMPORTANT NOTES:

- Do not allow cutlery of different materials to touch each other in the 3rd rack. Doing so may cause discoloration of the cutlery.
- The tray is only meant to be used with a GE Appliances 3rd rack dishwasher to hold silverware, cooking utensils, and other small items. Using the tray for any other purpose could result in damage to the tray or damage to anything interacting with the tray.
- Ensure that the 3rd rack is fully closed before shutting the dishwasher door. Shutting the door with the rack partially extended could cause damage to the dishwasher.

8 Place Settings



10 Place Settings

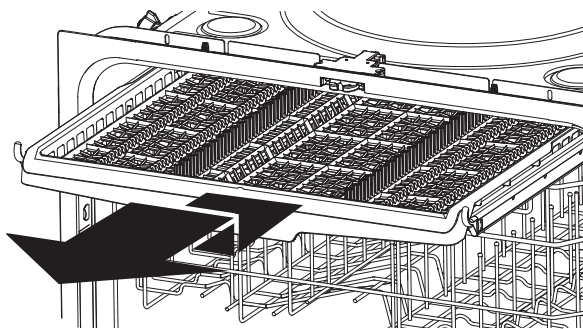


12 Place Settings



The 3rd rack is also removable to allow extra large items to be placed in the upper rack:

### To remove the 3rd rack:



- 1 With the rack fully extended, lift the front of the rack so that the rack roller wheels clear the end hook.
- 2 Continue to pull the rack until the remaining rack roller wheels clear the end hook.
- 3 Replace the rack by aligning the rack roller wheels on the end hook and rack rails – Ensure all roller wheels are located on top of the rack rails.

# Loading

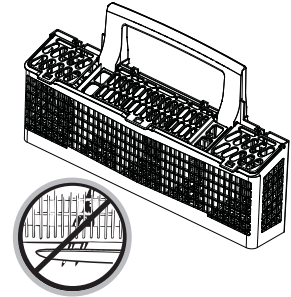
For best dishwashing results, follow these loading guidelines. Features and appearance of racks and silverware baskets may vary from your model.

## Silverware Basket

Place flatware in the removable silverware basket. Sharp objects, such as forks and knives, may be placed with the handles facing up, in order to protect your hands. For the best wash performance, place other items such as spoons with the handles facing down. Avoid allowing items to nest together, which may keep them from being properly washed. When loading, distribute items evenly in the basket.

The silverware basket may also be used for small items, such as measuring spoons, baby bottle nipples, plastic lids, or corn cob holders. The silverware basket covers (on some models) can be closed to contain small items.

**IMPORTANT:** Do not load large or tall utensils where they may block the detergent dispenser, mid spray arm, or become trapped between the door and the gasket when the door is closed.



**Silverware Basket - 8 Place Settings**  
GDF510, GDF511, GDF530, GDT535,  
GDT605, GDP615, GDT635



**Silverware Basket - 10 Place Settings**  
GDF510, GDF511, GDF530, GDT535,  
GDT605, GDP615, GDT635



**Silverware Basket - 12 Place Settings**  
GDF510, GDF511, GDF530, GDT535,  
GDT605, GDP615, GDT635, GDF630\*, GDF640\*



\*See the **3rd Rack** in this **Loading** section, for **8 Place Settings** and **10 Place Settings**, of silverware.

## Care and cleaning

---

### Control Panel

To clean the control panel, use a lightly dampened cloth. Then dry thoroughly.

---

### Exterior Door Panel

Before cleaning the front panel, make sure you know what type of panel you have. Refer to the last two letters of your model number. You can locate your model number on the left-hand tub wall just inside the door. If your model number ends with BB, CC, WW, SA, ES, DS or TS then you have a painted door panel. If your model number ends with SS, then you have a Stainless Steel door panel. If your model number ends with II, then you have an Integrated door panel.

Follow the instructions below for cleaning the door panel for your specific model.

**Painted Door Panel** (model numbers ending in BB—black, CC—bisque, WW—white, SA—silver, ES—slate, DS—black slate or TS—black stainless steel)

Use a clean, soft, lightly dampened cloth, then dry thoroughly.

Do not use scouring pads or powered cleaners because these products can scratch the finish.

**Stainless Steel Door Panel** (model numbers ending in SS)

**For cleaning rust and tarnish**, cleaners with oxalic acid such as Bar Keepers Friend Soft Cleanser™ will remove rust, tarnish and small blemishes. Use only a liquid cleanser free of grit and rub in the direction of the brush lines with a damp soft sponge. Do not use appliance wax or polish on the stainless steel.

**For other blemishes and marks**, use Stainless Steel Magic or a similar product using a clean soft cloth. Do not use appliance wax, polish, bleach or products containing chlorine on Stainless Steel. You can order Stainless Steel Magic # **WX10X29** through GE Appliances Parts by calling 877.959.8688. In Canada, call 800-661-1616.

**Integrated Door Panel** (model numbers ending in II)

This is a custom installed door panel, and you will need to refer to the cabinet manufacturers recommendations for proper cleaning.

---

### Dishwasher Interior

To clean and de-odorize your dishwasher, use citric acid or **Finish® Dishwasher Cleaner**, a detergent additive.

**Finish® Dishwasher Cleaner** will break up mineral deposits, and remove hard water film and stains. You can order citric acid GE Appliances kit # **WD35X151** through GE Appliances Parts by calling 877-959-8688 or visiting **GEApplianceparts.com**. In Canada, call 800-661-1616. You can purchase **Finish® Dishwasher Cleaner** at your local grocery store.

---

### Stainless Steel Inner Door and Tub

The stainless steel used to make the dishwasher tub and inner door provides the highest reliability available in a GE Appliances dishwasher.

If the dishwasher tub or inner door should be scratched or dented during normal use, they will not rust or corrode. These surface blemishes will not affect their function or durability.



# Care and cleaning

## Filters

Inspect and clean the filters periodically. This should be done every other month or more depending on usage. If there is a decrease in wash performance or dishes feel gritty, this is also an indication the filters need to be cleaned.

**⚠ WARNING** The retaining posts can be a choke hazard for small children if removed from the dishwasher. Keep out of reach of children.

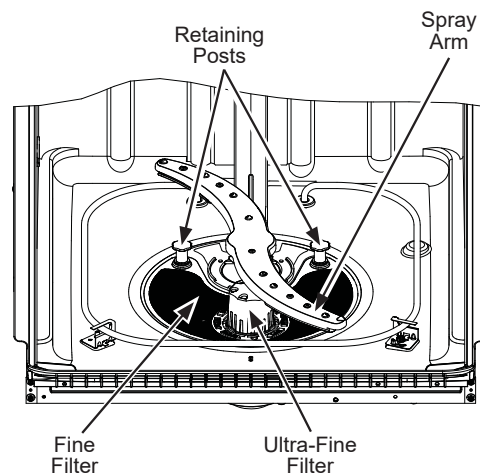
### Ultra-Fine Filter

To clean the Ultra-Fine Filter, remove the bottom rack. Twist the Ultra-Fine Filter counterclockwise and lift to remove. Rinse filter with warm soapy water and use a sponge to carefully remove any stubborn particles. Scrubbing with scouring pads or brushes can damage the filter. Once cleaned, replace the Ultra-Fine Filter, and twist it clockwise to lock in place.

### Fine Filter

To clean the Fine Filter (mesh plate), remove the bottom rack. Remove the Ultra-Fine Filter.

Twist each of the two retaining posts located toward the back bottom of the tub counterclockwise, and remove the Fine Filter. Rinse filter with warm soapy water. Scouring pads or brushes can scratch the filter surface but a soft brush or sponge may be needed to remove stubborn soils or calcium deposits caused by hard water. Once cleaned, replace the Fine Filter and the Ultra-Fine Filter. Twist the two retaining posts clockwise to lock in place.



## Protect Against Freezing

If your dishwasher is left in an unheated place during the winter, ask a service technician to:

- 1 Turn off electrical power to the dishwasher. Remove fuses or trip circuit breaker.
- 2 Turn off the water supply and disconnect the water inlet line from the water valve.
- 3 Drain water from the water inlet line and water valve. (Use a pan to catch the water.)
- 4 Reconnect the water inlet line to the water valve.

## Does Your Dishwasher Have an Air Gap?

An air gap protects your dishwasher against water backing up into it if a drain clogs. The air gap is not a part of the dishwasher. It is not covered by your warranty. Not all plumbing codes require air gaps, so you may not have one.



Check the air gap any time your dishwasher isn't draining well.

### The air gap is easy to clean.

- 1 Turn off the dishwasher and lift off the air gap cover.
- 2 Remove the plastic cap under the cover and clean with a toothpick.
- 3 Replace the cap and cover when the air gap is clean.



# Troubleshooting Tips... Before you call for service

Problem	Possible Cause	What To Do
Start status indicator light flashing	The door was opened or the cycle was interrupted.	Press the <b>Start</b> pad once and close the door within 4 seconds to start the dishwasher. Press the <b>Start</b> pad a second time when the dishwasher is running only if you wish to cancel the cycle.
Dishwasher BEEPS once every minute (on some models)	This is a reminder that your dishwasher door has been left open during operation. It will continue beeping until you press <b>Start</b> and close the door.	Press <b>Start</b> and close the door.
Beeping at the end of the cycle (on some models)	This is normal. Dishwasher will beep twice at the end of the cycle.	To turn off the double beep indicator (or re-activate it if it was previously turned off), press the <b>Heated Dry</b> pad 5 times within 3 seconds. A triple beep will sound to indicate the end-of-cycle beep option has been turned on or off.
Dishes and flatware not clean	Ultra-Fine Filter or Fine Filter is clogged	See the <b>Care and Cleaning</b> section.
	Low inlet water temperature	Make sure inlet water temperature is correct (see the <b>USING THE DISHWASHER</b> section). Turn on the hot water faucet nearest the dishwasher, let run until the water temperature stops rising. Then start the dishwasher and turn off the faucet. This ensures the entering water is hot. Select <b>Wash Temp Boost</b> if available.
	Water pressure is temporarily low	Turn on a faucet. Is water coming out more slowly than usual? If so, wait until pressure is normal before using your dishwasher. Normal water pressure to the dishwasher should be 20-120 psi.
	Air gap or disposer clogged	Clean the air gap or flush the disposer.
	High drain loop or air gap not installed	Refer to the Installation Instructions for proper drain line installation.
	Improper rack loading	Make sure large dishware does not block the detergent dispenser or the wash arms. See the <b>Loading</b> section.
	Poor performing detergent	Use a highly rated detergent such as <b>Finish® Quantum® Automatic Dishwashing Detergent</b> .
Spots and filming on glasses and flatware	Extremely hard water	Use rinse agents such as <b>Finish® Jet-Dry® Rinse Aid</b> to prevent spots and prevent new film build-up. If water is extremely hard, a softener may be required.
	Low inlet water temperature	Make sure water temperature is at least 120°F (49°C).
	Overloading or improper loading of the dishwasher	Load dishwasher as shown in the <b>Loading</b> section.
	Old or damp powder detergent	Make sure detergent is fresh. Use a highly rated detergent such as <b>Finish® Quantum® Automatic Dishwashing Detergent</b> .
	Rinse agent dispenser empty	Refill with rinse agent such as <b>Finish® Jet-Dry® Rinse Aid</b> .
	Too little or low performing detergent	Make sure you use the proper amount of highly rated detergent.
Cloudiness on glassware	Combination of soft water and too much detergent	This is called etching and is permanent. To prevent this from happening, use less detergent if you have soft water. Wash glassware in the shortest cycle that will get it clean.
	Low performing phosphate-free detergent	See <b>A white film on glassware, dishware and the interior</b> in this <b>TROUBLESHOOTING</b> section.
	Water temperature entering the dishwasher exceeds 150°F (66°C)	This could be etching. Lower the water heater temperature.

## Troubleshooting Tips... Before you call for service

Problem	Possible Cause	What To Do
Suds in the tub	Wrong detergent	Use only automatic dishwasher detergents to avoid sudsing. <b>Finish® Quantum® Automatic Dishwashing Detergent</b> has been approved for use in all GE Appliances dishwashers. To remove suds from the tub, open the dishwasher and let suds dissipate. Pump out water by pressing <b>Start</b> and close the door. Wait 30 seconds. Open the door, press and hold <b>Start</b> for 3 seconds, and close the door. Repeat if necessary.
	Rinse agent was spilled	Always wipe up rinse agent spills immediately.
Detergent left in dispenser cups	Dishes are blocking the detergent cup	Reposition the dishes, so the water from the lower spray arm can flush the detergent cup. See the <b>Loading</b> section. Reposition dishware that may be keeping the dispenser cup door from opening. See the <b>Loading</b> section.
Black or gray marks on dishes	Aluminum utensils have rubbed against dishes	Remove marks with a mild, abrasive cleaner.
Dishes don't dry	Low inlet water temperature	Make sure inlet water temperature is at least 120°F. Select <b>Heated Dry</b> or <b>Dry Boost</b> . Use <b>Wash Temp Boost</b> . Select a higher cycle, such as <b>Steam Sani</b> or <b>Heavy</b> .
	Rinse agent dispenser is empty	Check the rinse agent dispenser and fill as required.
	Additional drying time is needed	Leave door closed after the Clean light appears to allow the fan to run an additional 90 minutes (on some models). <b>Note:</b> If you open the door, this fan extension will be cancelled.
	Cycle selection	If using <b>Light</b> cycle which uses lower water temperature and thus limited dry performance, switch to a different cycle.
	Cycle completion	Allow cycles to fully complete. See <b>Long cycle times</b> in this <b>Troubleshooting Tips</b> section
Long cycle times	Dishwasher washes by alternating mid and lower spray arms	Longer cycles are normal. For best wash and dry performance, let cycle complete.
	Soil level	The turbidity sensor senses how much soil is on the dishes. Heavy soiled dish loads will add more time to the cycle. This is normal function. For best wash and dry performance, allow cycle to complete.
Control panel responded to inputs but dishwasher never filled with water	Door may not be completely closed	Make sure the door is firmly closed.
	Water valve may be turned off	Make sure water valve (usually located under the sink) is turned on.
	Flood float may be stuck	Remove Ultra-Fine filter and lightly tap the piece under the ultra fine filter that looks like a dome. Replace the filter.

# Troubleshooting Tips... Before you call for service

Problem	Possible Cause	What To Do
Stained tub interior	Some tomato-based foods can cause reddish stains	Use of the <b>Steam Sani</b> cycle (on some models) after adding the dish to the load can decrease the level of staining.
	Tea or coffee stains	Remove the stain by hand, using a solution of 1/2 cup bleach and 3 cups warm water. <b>NOTE:</b> Do not use bleach on stainless steel inner door.  <div style="border: 1px solid black; padding: 5px;"> <p><b>⚠ CAUTION</b> Before cleaning interior, wait at least 20 minutes after a cycle for the heating elements to cool down. Failure to do so can result in burns.</p> </div>
	An overall yellow or brown film can be caused by iron deposits in water	A special filter in the water supply line is the only way to correct this problem. Contact a water softener company.
	White film on inside surface— hard water minerals	GE Appliances recommends <b>Finish® Jet-Dry® Rinse Aid</b> to help prevent hard water mineral deposits from forming. Run dishwasher with citric acid to remove mineral deposits. Citric acid (Part number: <b>WD35X151</b> ) can be ordered through GE Appliances Parts. See back cover for ordering information. Alternatively, purchase <b>Finish® Dishwasher Cleaner</b> and follow the directions on the label.
Dishwasher won't run	Fuse is blown or circuit breaker is tripped	Replace fuse or reset circuit breaker. Remove any other appliances from the circuit.
	Power is turned off	In some installations, the power to the dishwasher is provided through a wall switch, often located next to the disposer switch. Make sure it is on.
	Control panel is locked	Unlock control panel. See the <b>Getting started</b> section.
Control panel lights go off when you're setting controls	Time too long between touching of selected buttons	Each pad must be touched within 30 seconds of the others. To relight, touch any pad again or open the door and unlock (top control).
Water standing in the bottom of the tub	Air gap is clogged	Clean the air gap. See the <b>Care and Cleaning</b> section.
	High drain loop or air gap not installed	Refer to the Installation Instructions for proper drain line installation.
Water won't pump out of the tub	Drain is clogged	If you have an air gap, clean it. See the <b>Care and Cleaning</b> section. If the dishwasher drains into a disposer, run disposer clear. Check to see if your kitchen sink is draining well. If not, you may need a plumber.

## Troubleshooting Tips... Before you call for service

Problem	Possible Cause	What To Do
Steam	This is normal	Warm, moist air comes through the vent during drying and when water is being pumped out. This is necessary for drying.
Sanitized light does not illuminate at the end of the cycle	The door was opened and the cycle was interrupted during final rinse	Do not interrupt the cycle by opening the door during the wash cycle.
	The incoming water temperature was too low	Raise the water heater temperature to between 120°F and 150°F.
Noise	<b>Normal operating sounds:</b> Beeping at the end of the cycle (on some models) Detergent cup opening Water entering dishwasher Motor stops and starts at various times during cycle Spray arms start and stop at various times Drain pump sounds during pump out Drain pump starts and stops several times during each drain	These are all normal. No action is required.
	Rattling dishes when the spray arm rotates	Make sure dishes are properly loaded. See the <b>Loading</b> section.
	Rattling silverware against door during wash	Tall utensils may be placed in the upper rack to avoid bumping against inner door during wash cycle.
A white film on glassware, dishware and the interior	<b>This problem is likely caused by a low quality phosphate-free dishwasher detergent</b>	<p>To remove the white film, run your dishes through a dishwasher cycle with citric acid. Use a <b>WD35X151</b> citric acid kit found online. Otherwise, use <b>Finish® Dishwasher Cleaner</b> found at your local grocery store. Pour the citric acid in the detergent cup and close the cover. Place the filmed but otherwise clean glassware and dishware in the dishwasher. Leave silverware and other metal items out of the dishwasher. Turn the dishwasher on and let it run through a complete cycle without detergent. The glassware, dishware, and dishwasher should come out film free. Alternatively, a vinegar rinse may be used. Pour 1 cup of vinegar into dishwasher just after the detergent cup opens and let the dishwasher complete its cycle.</p> <p>This may be repeated several times a year as needed. The use of a rinse agent such as <b>Finish® Jet-Dry® Rinse Aid</b> may help minimize a repeat build up of film. Also, the use of a highly rated detergent such as <b>Finish® Quantum® Automatic Dishwashing Detergent</b> will help prevent film build-up.</p>

# GE Appliances Dishwasher Warranty

**WARRANTY**

## GEAppliances.com

All warranty service is provided by our Factory Service Centers, or an authorized Customer Care® technician. To schedule service online, visit us at [www.geappliances.com/service](http://www.geappliances.com/service), or call GE Appliances at 800.GE.CARES (800.432.2737). Please have your serial number and your model number available when calling for service.

Servicing your appliance may require the use of the onboard data port for diagnostics. This gives a GE Appliances factory service technician the ability to quickly diagnose any issues with your appliance and helps GE Appliances improve its products by providing GE Appliances with information on your appliance. If you do not want your appliance data to be sent to GE Appliances, please advise your technician not to submit the data to GE Appliances at the time of service.

For the period of	GE Appliances will replace
<b>One year</b> From the date of the original purchase	<b>Any part</b> of the dishwasher which fails due to a defect in materials or workmanship. During this <b>limited one-year warranty</b> , GE Appliances will provide, <b>free of charge</b> , all labor and in-home service to replace the defective part.

Staple your receipt here. Proof of the original purchase date is needed to obtain service under the warranty.

### What GE Appliances will not cover (for customers in the United States):

- Service trips to your home to teach you how to use the product.
- Improper installation, delivery, or maintenance.
- Failure of the product if it is abused, misused or used for other than the intended purpose or used commercially.
- Replacement of house fuses or resetting of circuit breakers.
- Product not accessible to provide required service.
- Damage to the product caused by accident, fire, floods, or acts of God.
- Incidental or consequential damage caused by possible defects with this appliance.
- Cleaning or servicing of the air gap device in the drain line.
- Damage caused after delivery including damage from items dropped on the door.

This warranty is extended to the original purchaser and any succeeding owner for products purchased for home use within the USA. If the product is located in an area where service by a GE Appliances Authorized Servicer is not available, you may be responsible for a trip charge or you may be required to bring the product to an Authorized GE Appliances Service location for service. In Alaska, the warranty excludes the cost of shipping or service calls to your home.

Some states do not allow the exclusion or limitation of incidental or consequential damages. This warranty gives you specific legal rights, and you may also have other rights which vary from state to state. To know what your legal rights are, consult your local or state consumer affairs office or your state's Attorney General.

**Warrantor: GE Appliances, a Haier company**

### What GE Appliances will not cover (for customers in Canada):

- Service trips to your home to teach you how to use the product.
- Improper installation.  
If you have an installation problem, contact your dealer or installer. You are responsible for providing adequate electrical, exhausting and other connecting facilities.
- Failure of the product if it is abused, misused or used for other than the intended purpose or used commercially.
- Replacement of house fuses or resetting of circuit breakers.
- Damage to the product caused by accident, fire, floods, or acts of God.
- Damage caused after delivery including damage from items dropped on the door.

This warranty is extended to the original purchaser and any succeeding owner for products purchased in Canada for home use within Canada. In home warranty service will be provided in areas where it is available and deemed reasonable by Mabe to provide.

**WARRANTOR IS NOT RESPONSIBLE FOR CONSEQUENTIAL DAMAGES.**

**Warrantor: MC Commercial, Burlington, ON, L7R 5B6**

### EXCLUSION OF IMPLIED WARRANTIES

Your sole and exclusive remedy is product repair as provided in this Limited Warranty. Any implied warranties, including the implied warranties of merchantability or fitness for a particular purpose, are limited to one year or the shortest period allowed by law.

**Extended Warranties:** Purchase a GE Appliances extended warranty and learn about special discounts that are available while your warranty is still in effect. You can purchase it online anytime at

**[GEAppliances.com/extended-warranty](http://GEAppliances.com/extended-warranty)**

or call 800.626.2224 during normal business hours. GE Appliances Service will still be there after your warranty expires.

# Consumer Support

---

## GE Appliances Website

Have a question or need assistance with your appliance? Try the GE Appliances Website 24 hours a day, any day of the year! You can also shop for more great GE Appliances products and take advantage of all our on-line support services designed for your convenience. In the US: [GEAppliances.com](http://GEAppliances.com)

In Canada: [GEAppliances.ca](http://GEAppliances.ca)

---

## Register Your Appliance

Register your new appliance on-line at your convenience! Timely product registration will allow for enhanced communication and prompt service under the terms of your warranty, should the need arise. You may also mail in the pre-printed registration card included in the packing material. In the US: [GEAppliances.com/register](http://GEAppliances.com/register)

In Canada: [Prodsupport.mabe.ca/crm/Products/ProductRegistration.aspx](http://Prodsupport.mabe.ca/crm/Products/ProductRegistration.aspx)

---

## Schedule Service

Expert GE Appliances repair service is only one step away from your door. Get on-line and schedule your service at your convenience any day of the year. In the US: [GEAppliances.com/service](http://GEAppliances.com/service) or call 800.432.2737 during normal business hours.

In Canada: [GEAppliances.ca/en/support/service-request](http://GEAppliances.ca/en/support/service-request) or call 800.561.3344.

---

## Extended Warranties

Purchase a GE Appliances extended warranty and learn about special discounts that are available while your warranty is still in effect. You can purchase it on-line anytime. GE Appliances Services will still be there after your warranty expires. In the US: [GEAppliances.com/extended-warranty](http://GEAppliances.com/extended-warranty) or call 800.626.2224 during normal business hours.

In Canada: [GEAppliances.ca/en/support/purchase-extended-warranty](http://GEAppliances.ca/en/support/purchase-extended-warranty) or call 866.277.9842.

---

## Remote Connectivity

For assistance with wireless network connectivity (for models with remote enable), in the US visit our website at [GEAppliances.com/connected-home-smart-appliances/](http://GEAppliances.com/connected-home-smart-appliances/) or call 800.220.6899.

In Canada: <http://www.geappliances.ca/en/news-and-promotions/what-is-hot/wifi-connect/>

---

## Parts and Accessories

Individuals qualified to service their own appliances can have parts or accessories sent directly to their homes (VISA, MasterCard and Discover cards are accepted). Order on-line today 24 hours every day.

In the US: [GEApplianceparts.com](http://GEApplianceparts.com) or by phone at 877.959.8688 during normal business hours.

In Canada: [GEAppliances.ca/en/products/parts-filters-accessories](http://GEAppliances.ca/en/products/parts-filters-accessories) or call 800.661.1616.

**Instructions contained in this manual cover procedures to be performed by any user. Other servicing generally should be referred to qualified service personnel. Caution must be exercised, since improper servicing may cause unsafe operation.**

---

## Contact Us

If you are not satisfied with the service you receive from GE Appliances, contact us on our Website with all the details including your phone number, or write to:

In the US: General Manager, Customer Relations | GE Appliances, Appliance Park | Louisville, KY 40225

[GEAppliances.com/contact](http://GEAppliances.com/contact)

In Canada: Director, Consumer Relations, MC COMMERCIAL INC. | Suite 310, 1 Factory Lane | Moncton, N.B. E1C 9M3  
[GEAppliances.ca/en/contact-us](http://GEAppliances.ca/en/contact-us)





# LAVE-VAISSELLE

**CONSIGNES DE SÉCURITÉ** .....3

**UTILISATION DU LAVE-VAISSELLE**

Comment démarrer .....5

Distributeurs .....8

Communication avec l'appareil .....10

Chargement..... 11

**ENTRETIEN ET NETTOYAGE**.....16

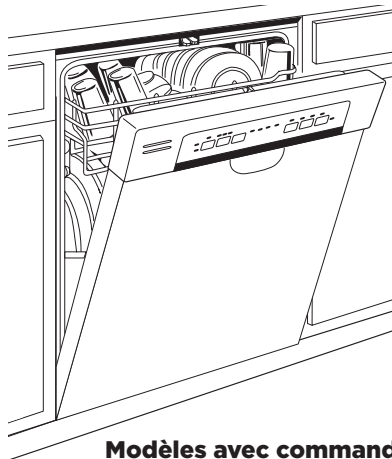
**CONSEILS DE DÉPANNAGE**.....19

**GARANTIE** .....23

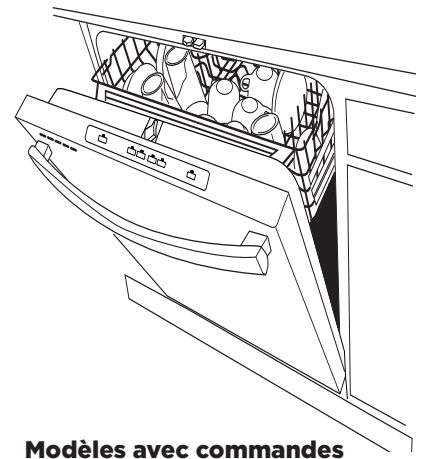
**SERVICE À LA CLIENTÈLE** ..... 24

## MANUEL D'UTILISATION

GDF510-640 Séries  
 GDT535-635 Séries  
 GDP615 Séries



**Modèles avec commandes à l'avant**



**Modèles avec commandes sur le dessus**

Inscrivez ci-dessous les numéros de modèle et de série

N° de modèle \_\_\_\_\_

N° de série \_\_\_\_\_

Ils se trouvent sur la paroi de la cuve, à l'intérieur de la porte.

## **NOUS VOUS REMERCIONS D'ACCUEILLIR GE APPLIANCES CHEZ VOUS**

---

Que vous ayez grandi avec GE Appliances ou qu'il s'agisse de votre première acquisition, nous sommes heureux de vous accueillir dans notre famille.

Nous sommes fiers du savoir-faire, de l'innovation et de l'esthétique qui composent chaque appareil GE Appliances, et nous pensons que vous le serez aussi. Dans cette optique, nous vous rappelons que l'enregistrement de votre électroménager vous assure la communication de renseignements importants sur le produit et la garantie lorsque vous en avez besoin.

Enregistrez votre électroménager GE en ligne dès maintenant. Des sites Web et des numéros de téléphone utiles figurent dans la section Soutien au consommateur de ce manuel d'utilisation. Vous pouvez aussi poster la fiche de garantie préimprimée incluse dans l'emballage.



**GE APPLIANCES**

# CONSIGNES DE SÉCURITÉ IMPORTANTES

## LIRE TOUTES LES CONSIGNES AVANT D'UTILISER L'APPAREIL

**▲ AVERTISSEMENT** Pour votre sécurité, veuillez suivre les directives données dans le présent manuel afin de réduire au minimum les risques d'incendie, d'explosion et de chocs électriques et prévenir tout dommage et blessure grave ou mortelle.

### ▲ AVERTISSEMENT INSTALLATION ET ENTRETIEN APPROPRIÉS

Ce lave-vaisselle doit être correctement installé, en conformité avec les directives d'installation fournies, avant d'être utilisé. Si vous n'avez pas reçu les directives d'installation avec votre appareil, vous pouvez vous les procurer en visitant notre site Web à l'adresse [www.electromenagersge.ca](http://www.electromenagersge.ca).

- Cet appareil doit être relié à un système de câblage électrique permanent en métal, mis à la terre. Sinon, un fil de mise à la terre pour appareillage doit être installé et raccordé à la borne ou au fil de mise à la terre de l'appareil.
- Un raccordement incorrect du fil de mise à la terre peut présenter un risque d'électrocution. Consultez un électricien ou un technicien qualifié si vous n'êtes pas certain que l'appareil est correctement mis à la terre.
- Veuillez vous débarrasser de la façon appropriée de vos vieux électroménagers et des matériaux d'emballage ou d'expédition.
- Ne tentez pas de réparer ou de remplacer une pièce quelconque de votre lave-vaisselle, à moins que cela ne soit spécifiquement recommandé dans le présent manuel. Confiez toutes les autres réparations à un technicien qualifié.
- Utilisez uniquement un nécessaire de cordon électrique WX09X70910 ou câblez directement sur le circuit électrique du domicile. L'omission d'observer cette instruction peut causer un risque d'incendie ou de blessure.
- Pour réduire au minimum les risques d'électrocution, débranchez l'appareil de sa source d'alimentation avant d'en effectuer l'entretien.

**REMARQUE** : Le fait d'arrêter le lave-vaisselle ne coupe l'alimentation électrique de l'appareil. Nous vous recommandons de confier la réparation de votre électroménager à un technicien qualifié.

### ▲ AVERTISSEMENT LORS DU FONCTIONNEMENT DE VOTRE LAVE-VAISSELLE, PRENEZ LES PRÉCAUTIONS DE BASE, NOTAMMENT LES SUIVANTES :

- N'utilisez cet appareil que pour l'usage pour lequel il a été conçu, comme expliqué dans le présent manuel.
- Utilisez uniquement un détergent ou un agent mouillant recommandés pour utilisation dans un lave-vaisselle et tenez-les à l'écart des enfants. L'utilisation d'un détergent non conçu pour les lave-vaisselles peut provoquer la formation de mousse.
- Placez les articles coupants de manière à ce qu'ils n'endommagent pas le joint d'étanchéité de la porte.
- Placez dans le panier à couverts les couteaux tranchants le manche vers le haut afin de réduire les risques de coupures.
- Ne lavez pas les articles en plastique à moins qu'ils ne portent la mention « Lavable au lave-vaisselle » ou l'équivalent. Si certains articles en plastique ne portent pas cette mention, reportez-vous aux recommandations du fabricant.
- Ne touchez pas à l'élément chauffant pendant ou immédiatement après le fonctionnement de l'appareil.
- Ne faites pas fonctionner le lave-vaisselle si tous les panneaux de la carrosserie n'ont pas été correctement réinstallés.
- Ne modifiez pas le fonctionnement des commandes.
- Abstenez-vous de vous asseoir, de vous accrocher ou de vous tenir sur la porte ou le panier du lave-vaisselle, ou d'en faire un emploi abusif de toute autre manière.
- Pour réduire le risque de blessure, ne laissez pas les enfants jouer avec l'électroménager, grimper dessus ou s'y introduire.
- Ne rangez ni n'utilisez des matières combustibles, y compris de l'essence ou d'autres liquides ou vapeurs inflammables, à proximité de cet appareil ou de tout autre.
- Les petites pièces, telles qu'attaches de panier et tiges de retenue de filtre, représentent un risque d'étouffement pour les jeunes enfants si elles sont retirées du lave-vaisselle. Gardez-les à l'écart des jeunes enfants.

## LIRE ET CONSERVEZ CES DIRECTIVES

# CONSIGNES DE SÉCURITÉ IMPORTANTES

## LIRE TOUTES LES CONSIGNES AVANT D'UTILISER L'APPAREIL

### ⚠ AVERTISSEMENT SÉCURITÉ DU CHAUFFE-EAU

Dans certaines conditions, il peut se former de l'hydrogène dans un chauffe-eau qui n'a pas été utilisé pendant deux semaines ou plus. **L'HYDROGÈNE EST UN GAZ EXPLOSIF.**

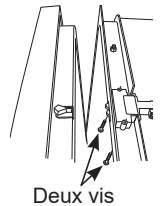
Si vous n'avez pas utilisé votre chauffe-eau pendant deux semaines ou plus, ouvrez tous les robinets d'eau chaude et laissez couler l'eau pendant plusieurs minutes afin de réduire les risques de dommages matériels ou de blessures. Prenez cette précaution avant même d'utiliser un électroménager raccordé au chauffe-eau pour éliminer l'hydrogène qui pourrait s'y être accumulé. Puisqu'il s'agit d'un gaz inflammable, ne fumez pas ou n'utilisez pas une flamme nue ou un électroménager au cours de ce processus.

### ⚠ AVERTISSEMENT RISQUE DE SUFFOCATION POUR UN ENFANT COINCÉ À L'INTÉRIEUR DE L'APPAREIL

#### ÉLIMINATION APPROPRIÉE DU LAVE-VAISSELLE

Les lave-vaisselle jetés ou abandonnés sont dangereux... même si vous ne les laissez là que pour quelques jours. Si vous voulez jeter votre lave-vaisselle, veuillez suivre les directives ci-dessous pour éviter les accidents.

- Ne laissez pas les enfants jouer avec, sur, le lave-vaisselle, ou à l'intérieur de celui-ci ou de tout autre électroménager mis aux rebus.
- Enlevez la porte du compartiment de lavage ou enlevez le verrou en ôtant les deux vis du loquet à l'intérieur de la cuve (comme illustré).



### ⚠ ATTENTION POUR ÉVITER LES BLESSURES MINEURES OU LES DOMMAGES MATÉRIELS

- Pendant ou après le cycle de lavage, le contenu peut s'avérer très chaud au toucher. Manipulez-le avec soin.
- Une surveillance attentive est nécessaire lorsque cet appareil est utilisé par ou près des enfants. Ne laissez pas les enfants jouer à proximité du lave-vaisselle lorsque vous la fermetur de la porte, la fermeture de la crémaillère supérieure, ou tout réglage en hauteur du panier supérieur afin d'éviter que leurs petits doigts se coincent.
- Articles autres que la vaisselle : ne lavez pas dans le lave-vaisselle des articles comme des filtres de purificateur d'air, des filtres de systèmes de chauffage ou des pinceaux. Vous pourriez endommager le lave-vaisselle et provoquer une décoloration ou des taches dans l'appareil.
- Placez les articles légers en plastique de manière qu'ils ne se déplacent pas ou ne tombent pas au fond de l'appareil—ils pourraient entrer en contact avec l'élément chauffant, ce qui pourrait les endommager.

### ⚠ ATTENTION EXIGENCES ÉLECTRIQUES

- Cet appareil électroménager doit être alimenté par du courant de 120V, 60 Hz, et branché à un circuit de dérivation bien mis à la terre, protégé par un fusible à retardement ou un disjoncteur de 15 ou 20 ampères.
- Si l'alimentation électrique fournie ne remplit pas les caractéristiques ci-dessus, nous vous recommandons de faire installer par un électricien qualifié une bonne prise.
- Le circuit de votre lave-vaisselle ne doit être utilisé par aucun autre appareil électroménager quand le lave-vaisselle fonctionne, car le lave-vaisselle nécessite toute la capacité du circuit.

### ⚠ AVIS

- Si votre lave-vaisselle est branché sur un circuit relié à un interrupteur mural, assurez-vous d'actionner celui-ci avant d'utiliser votre appareil.
- Si vous fermez l'interrupteur mural entre les cycles de lavage, attendez de 5 à 10 secondes après avoir ramené l'interrupteur à marche avant d'appuyer sur la touche **Start** (Marche) pour permettre aux commandes de se réinitialiser.
- N'utilisez que les détergents et agents de rinçage liquides, en poudre ou en tablette ou les **Finish® Quantum® Automatic Dishwashing Detergent** (détergent à vaisselle automatique) recommandés pour les lave-vaisselle et gardez-les hors de la portée des enfants. Les détergents pour lave-vaisselle **Finish® Quantum® Automatic Dishwashing Detergent** et les agents de rinçage **Finish® Jet-Dry® Rinse Aid** sont approuvés avec les lave-vaisselle GE Appliances.

## LIRE ET CONSERVEZ CES DIRECTIVES

# Comment démarrer

Les caractéristiques et l'apparence des appareils varient tout au long de ce manuel selon les modèles

## 1 Charger le lave-vaisselle

Pour de meilleurs résultats de lavage, suivez les directives de chargement dans la section **Chargement**. Aucun pré-rinçage des dépôts alimentaires normaux n'est nécessaire. Enlevez les dépôts durs, notamment les os, les cure-dents, la peau et les graines. Enlevez les légumes-feuilles, les parties non comestibles de la viande et les quantités excédentaires de graisse ou d'huile.

## 2 Ajouter le détergent

Ajoutez la quantité de détergent requise dans le distributeur à détergent. Utilisez un détergent du type **Finish® Quantum® Automatic Dishwashing Detergent** (détergent à vaisselle automatique). Consultez la section **Distributeurs**.

## 3 Ajouter le produit de rinçage

Ajoutez le produit de rinçage **Finish® Jet-Dry® Rinse Aid** dans le distributeur. Consultez la section **Distributeurs**. **REMARQUE** : L'utilisation d'un agent de rinçage peut améliorer l'efficacité de séchage du lave-vaisselle.

## 4 Sélectionner le cycle

Appuyez sur la touche **Select Cycle** pour choisir le cycle de lavage désiré. Le voyant vis-à-vis de la touche **Select Cycle** s'allumera pour indiquer le cycle qui a été choisi.

**REMARQUE** : La durée des cycles dépend du degré de saleté, de la température de l'eau et des options sélectionnées.

Le cycle peut être sélectionné même si la porte est ouverte. Pour démarrer le cycle, il faut absolument appuyer sur le bouton **Start** et fermer la porte en moins de 4 secondes.

**AutoSense** (certains modèles) Ce cycle détecte automatiquement le degré de saleté et règle le cycle de lavage en conséquence.

**Heavy (Très sale)** Ce cycle est destiné à la vaisselle et batterie de cuisine très sale, avec dépôts alimentaires séchés ou cuits. Ce cycle convient aussi à la vaisselle de tous les jours.

**Normal** Ce cycle, destiné à un lavage quotidien, régulier et typique d'une pleine charge de vaisselle normalement sale, est aussi économe en eau et en énergie. Le cycle **Normal** a servi à évaluer l'efficacité énergétique de ce lave-vaisselle.

**1 Hour (1 Heure)** Ce cycle est conçu pour la vaisselle de saleté légère à moyenne et dure environ 1 heure. Il est sûr pour la porcelaine et le cristal sans options sélectionnées.

**Rinse (Rinçage)** (certains modèles) Pour le rinçage de charges partielles qui seront lavées plus tard. N'utilisez pas de détergent. Le détergent n'est pas distribué pendant le cycle de rinçage.

## Comment démarrer

### 5 Sélectionner les options

Le voyant vis-à-vis de la touche sélectionnée s'allumera pour indiquer l'option qui a été sélectionnée.

<b>Wash Temp Boost (Lavez boost temp)</b> (certains modèles)	Cette option augmente la température pour faciliter le lavage de la vaisselle très sale et augmentera la durée du cycle de 20 à 50 minutes. L'option peut être activée ou désactivée pendant le cycle de lavage. Cette option améliorera aussi le rendement du séchage du cycle <b>Normal</b> .
<b>Steam Sani (Vapeur désinfecter)</b> (certains modèles)	Cette option comporte plusieurs fonctions. La vapeur est introduite au début du cycle pour faciliter l'élimination de la vaisselle très sale et/ou sur laquelle des résidus tenaces ont séchés ou cuits; la vapeur sert aussi à désinfecter la vaisselle tout en améliorant l'efficacité du séchage en augmentant la température de l'eau lors du rinçage final. La durée du cycle variera selon la température de l'eau d'alimentation du domicile. Cette option <b>DOIT</b> être sélectionnée <b>AVANT</b> de démarrer le cycle. Elle est disponible avec les cycles <b>Heavy</b> , <b>AutoSense</b> et <b>Normal</b> . <b>REMARQUE</b> : Cette option est contrôlée en fonction de critères de désinfection. Si le cycle est interrompu pendant ou après l'étape du lavage principal, ou si la température de l'eau d'admission est si basse qu'un lavage adéquat ne peut être obtenu, il se peut que les critères de désinfection ne soient pas atteints. Dans ce cas, le voyant Sanitized ne s'allumera pas à la fin du cycle. L'utilisation de cette option modifiera le cycle pour satisfaire à la Section 6 de la norme NSF 184 relative au délogement de la saleté et à l'efficacité de la désinfection. <b>REMARQUE</b> : Les lave-vaisselle domestiques homologués NSF ne sont pas destinés aux établissements alimentaires du commerce.
<b>Heated Dry (Séchage à air chauffé)</b>	On peut sélectionner cette option en appuyant une fois sur le bouton <b>Dry</b> pour allumer le voyant Heated. Ce réglage améliore grandement l'efficacité de séchage pour la vaisselle quotidienne, normale et habituelle. L'option <b>Heated Dry</b> ajoutera normalement 48 minutes à la durée du cycle. Cette option n'est pas disponible sur le cycle <b>Rinse</b> . <b>REMARQUE</b> : L'utilisation d'un agent de rinçage peut améliorer l'efficacité de séchage du lave-vaisselle. C'est la fonction <b>Heated Dry</b> qui a servi à évaluer l'efficacité énergétique de ce lave-vaisselle.
<b>Dry Boost (Supplément de séchage)</b>	On peut sélectionner cette option en appuyant une fois sur le bouton <b>Dry</b> pour allumer le voyant Boost. Cette option ajoutera du temps à la fonction chauffée à sec pour améliorer l'efficacité de séchage du lave-vaisselle pour les articles difficiles à sécher. <b>REMARQUE</b> : L'utilisation d'un agent de rinçage peut améliorer l'efficacité de séchage du lave-vaisselle.
<b>Heated Dry Off (Séchage à air chauffé désactivé)</b>	Cette option désactive la fonction de séchage. La vaisselle sèche à l'air naturellement, ce qui économise l'énergie. Ouvrir la porte à la fin du cycle peut améliorer l'efficacité du séchage. <b>REMARQUE</b> : L'utilisation d'un agent de rinçage peut améliorer l'efficacité de séchage du lave-vaisselle.
<b>Bottle Jets (Jets de bouteille)</b> (certains modèles)	Cette option augmente la durée d'activation des jets pour bouteilles et peut ajouter jusqu'à 23 minutes de la durée du cycle. Utilisez cette option pour laver les bouteilles pour bébé qui vont au lave-vaisselle mais s'avèrent difficiles à nettoyer, les bouteilles de sports, les tasses à café hautes, etc. Consultez les recommandations d'utilisation dans la section <b>Chargement</b> .
<b>Wash Zones (Zones de lavage)</b> (certains modèles)	La sélection de la zone de lavage supérieure ou inférieure dirigera le lavage sur un panier seulement. La durée du cycle sera ainsi raccourcie et l'énergie sera économisée. Cette option doit être utilisée lorsque la vaisselle est placée sur un seul panier.
<b>Delay Hours</b> (certains modèles)	Retarde le démarrage d'un cycle de lavage d'une durée allant de 8 à 12 heures selon le modèle. Touchez la commande <b>Delay Hours</b> , sélectionnez le nombre d'heures, touchez une fois la commande <b>Start</b> (Démarrer) et fermez la porte pour lancer le décompte. Le lave-vaisselle commencera à fonctionner une fois le délai expiré.
<b>Control Lock (Commande de verrouillage)</b>	Vous pouvez verrouiller les commandes pour empêcher que des sélections ne soient effectuées. Vous pouvez aussi verrouiller les commandes après le démarrage d'un cycle pour empêcher une modification. Par exemple, cette option empêchera le démarrage accidentel du lave-vaisselle lorsqu'un enfant appuie sur des touches par inadvertance. <b>Pour VERROUILLER/DÉVERROUILLER les commandes du lave-vaisselle</b> , selon le modèle, maintenez une pression sur les touches <b>Dry</b> et <b>Steam</b> , ou sur certains modèles maintenez une pression sur la touche <b>Select Cycle</b> durant 3 secondes. Le voyant Lock Controls, ou sur certains modèles les voyants Light et Rinse cycle, s'allumeront pour indiquer le verrouillage des commandes et s'éteindront pour indiquer leur déverrouillage.

# Comment démarrer

## 6 Démarrer le lave-vaisselle

**Start (Démarrer)** La porte peut être ouverte pour sélectionner les options désirées. Appuyez sur la touche **Start** pour débiter le cycle et fermez la porte moins de 10 secondes pour démarrer le cycle ou débiter le décompte de l'option **Delay Hours**. Le cycle de lavage commencera peu de temps après la fermeture de la porte. Si la porte est ouverte, les voyants allumés vont s'éteindre si l'on appuie pas sur une touche en moins de deux minutes. Pour activer l'affichage, fermer ou ouvrir la porte, ou encore toucher à n'importe quelle touche.

**Interrupt ou Pause (Interruption ou pause)** Pour interrompre un cycle ou faire une pause, ouvrez la porte lentement. L'ouverture de la porte occasionnera une pause dans le cycle. Le lave-vaisselle émettra un bip à chaque minute pour vous rappeler de fermer la porte. Pour redémarrer ou poursuivre le cycle, appuyez sur **Start** puis fermez la porte dans les 4 secondes.

**Cancel (Annuler)** Pour annuler un cycle de lavage, maintenir une pression sur la touche **Start** bouton 3 secondes puis fermer la porte. Le lave-vaisselle se vidangera, émettra un bip, et le voyant du cycle de lavage s'éteindra.

## 7 Voyants et sonorités des indicateurs de cycle

**Sanitized (Hygiénique)** Voyant allumé à la fin du cycle lorsque **Wash Temp Sani (Sanitize)** a été sélectionné et que le lave-vaisselle a satisfait aux critères de désinfection. Consultez la rubrique **Wash Temp Sani (Sanitize)** pour une description complète de l'option. Le voyant s'éteindra dès l'ouverture de la porte, ou sur pression d'une touche avec porte fermée.

**Clean (Nettoyer)** Ce voyant s'allume lorsque le cycle de lavage est terminé. Il reste allumé pour rappeler que la vaisselle est propre. Le voyant s'éteindra dès l'ouverture de la porte, ou sur pression d'une touche avec porte fermée.

**Sabbat/Door Wake Up Mode (Mode d'activation de la porte)** (certains modèles) Pour activer ou désactiver (ON/OFF) cette option, maintenez enfoncées les touches **Start** et **Wash Temp** bouton 5 secondes, fermez la porte et attendez 3 minutes que le lave-vaisselle passe en mode veille. Dans la position OFF, l'affichage et les sonorités des commandes et les lampes intérieures (certains modèles) ne répondront pas à l'ouverture ou la fermeture de la porte. Ce mode peut être utilisé lors de l'observation de certains rites religieux tels que le sabbat. Pour activer la commande et les lampes (certains modèles) intérieures, pressez n'importe quelle touche.

# Distributeurs

## Vérification de la température de l'eau

L'eau qui alimente le lave-vaisselle doit être à une température d'au moins 49°C (120°F) et d'au plus 66°C (150°F) pour que l'action de lavage soit efficace et pour prévenir tout dommage à la vaisselle. Vérifiez la température de l'eau avec un thermomètre à bonbons ou à viande.

Ouvrez le robinet d'eau chaude le plus près du lave-vaisselle, placez le thermomètre dans un verre et laissez l'eau couler continuellement dans le verre jusqu'à ce que la température cesse d'augmenter.

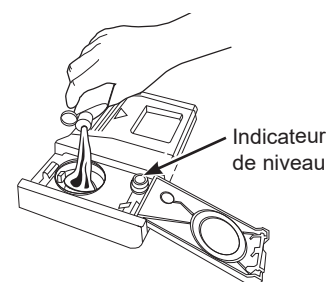
## Utilisation d'un produit de rinçage

Les produits de rinçage tels que **Finish® Jet-Dry® Rinse Aid** sont conçus pour une meilleure efficacité au séchage et une protection contre les taches et le film susceptibles de se former sur la vaisselle, la verrerie, la coutellerie, la batterie de cuisine et le plastique.

## Remplissage du distributeur

Le distributeur de produit de rinçage contient 104 ml (3,5 oz) de produit de rinçage. Dans des conditions normales de fonctionnement, cette quantité est suffisante pour environ un mois - selon le réglage.

- 1 Assurez-vous que la porte du lave-vaisselle est entièrement ouverte.
- 2 Ouvrez le couvercle du distributeur de produit de rinçage.
- 3 Ajoutez lentement le produit de rinçage jusqu'à remplir le contenant. Il se peut que vous deviez vous arrêter à quelques reprises pour permettre la décantation.  
**REMARQUE** : La fenêtre indicatrice ne s'allume pas.
- 4 Nettoyez le produit de rinçage renversé avec un linge humide afin de prévenir la formation de mousse à l'intérieur du lave-vaisselle.
- 5 Fermez le couvercle du distributeur de produit de rinçage.



## Dosage du produit de rinçage

Vous pouvez régler la quantité de produit de rinçage versée au rinçage final. Si des taches de gouttes d'eau ou d'eau dure subsistent sur la vaisselle après le cycle de séchage, augmentez ce dosage.

## Pour régler le dosage

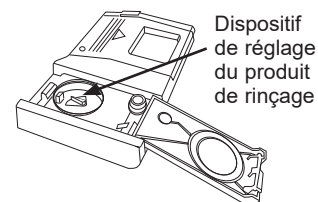
Ouvrez le couvercle du distributeur de produit de rinçage ; puis tournez le doseur dans le sens des aiguilles d'une montre pour augmenter la quantité du produit de rinçage, et dans le sens inverse des aiguilles pour réduire la quantité.



Dans le sens des aiguilles d'une montre pour réduire les taches de gouttes d'eau et d'eau dure.



Dans le sens inverse des aiguilles pour réduire le moussage.



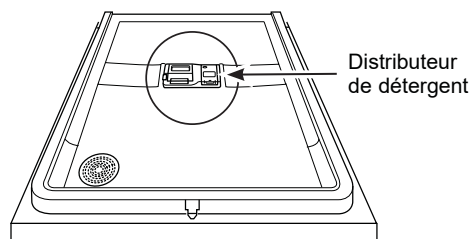


# Distributeurs

## Distributeur de détergent

Le distributeur de détergent est situé au centre de la porte du lave-vaisselle. Il comporte deux compartiments. Le compartiment de lavage principal se trouve à l'intérieur du distributeur de détergent. Pour l'ouvrir, appuyez sur le bouton sur le côté du distributeur. Le compartiment de pré-lavage se situe sur le couvercle du distributeur de détergent. Utilisez le compartiment de pré-lavage uniquement lorsque l'eau est extrêmement dure ou que la vaisselle est très sale. Le compartiment de pré-lavage n'est pas utilisé lorsque du détergent en pastille ou en sachet est employé.

**REMARQUE :** N'obstruez pas le distributeur de détergent en plaçant des vaisselle trop larges ou longs à proximité.



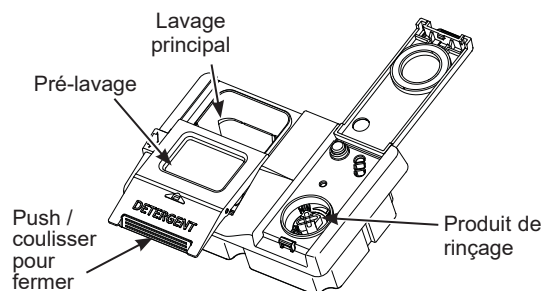
Vous pouvez utiliser du détergent à lave-vaisselle en tablettes, en poudre, en liquide ou en gel. Assurez-vous de n'utiliser que des détergents spécifiquement adaptés aux lave-vaisselle automatiques. N'utilisez jamais de détergent liquide pour le lavage de la vaisselle à la main. Si vous utilisez un détergent inadapté, il se formera de la mousse et le lavage ne sera pas optimal.

Il est important de conserver le détergent dans un endroit sec et dans son emballage d'origine afin qu'il ne perde pas de son efficacité. Par conséquent, ne versez le détergent dans le distributeur qu'au moment de mettre le lave-vaisselle en marche, puis fermez le couvercle. Le couvercle s'ouvrira pendant le programme.

## Remplissage du distributeur de détergent

GE Appliances recommande l'utilisation d'un détergent en tablette ou en dose. Des essais indépendants ont démontré que ce type de détergent est très efficace dans le lave-vaisselle. **Finish® Quantum® Powerball®** est un exemple de ce type de détergent. Mettez simplement une tablette ou une dose dans le compartiment principal et faites glisser pour fermer le couvercle du compartiment à détergent. Veuillez noter que la tablette ou la dose doit être placée dans le compartiment principal de détergent. Si la tablette ou la dose est déposée dans le compartiment de pré-lavage ou au fond du lave-vaisselle, le détergent sera éliminé très rapidement et sera donc inutilisé. Les performances de lavage seront alors très mauvaises.

Si vous choisissez d'utiliser un détergent en poudre, liquide ou en gel, la quantité utilisée sera fonction de la dureté et de la température de votre eau ainsi que de degré de salissure de votre vaisselle. Contactez votre compagnie distributrice des eaux pour obtenir des informations sur la dureté de l'eau dans votre région. La dureté de l'eau se mesure en grains par gallon. Utilisez cette information et le tableau ci-dessus pour déterminer la quantité de détergent à utiliser. Vous pouvez également acheter des bandes tests de dureté de l'eau auprès de GE Appliances. Appelez le 800-661-1616 et demandez le numéro de pièces **WD01X10295**.

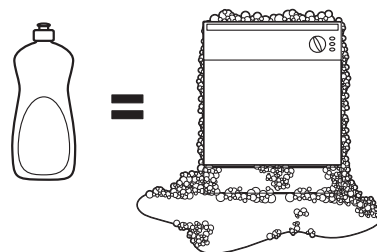


Utilisez le tableau comme point de départ puis ajustez la quantité de détergent que vous utilisez. Utilisez juste assez de détergent pour obtenir une qualité de lavage adéquate. L'utilisation de la quantité appropriée procurera une excellente qualité de lavage sans gaspiller de détergent ou attaquer la verrerie.

Nombre de grains/gal.	Niveau de compartiment(s) de détergent à remplir
Moins de 4	Remplir le compartiment au 1/3
4 à 8	Remplir le compartiment au 2/3
8 à 12	Remplir le compartiment complètement
Plus de 12	Remplissez le compartiment de lavage principal et celui du pré-lavage

L'utilisation de trop de détergent avec une eau trop douce et/ ou trop chaude peut attaquer chimiquement votre verrerie. Le « voile » qui en résulte affectera votre verrerie en permanence. Cette situation est irréversible. Toutefois, trop peu de détergent peut affecter les performances de lavage.

## N'UTILISEZ PAS DE DÉTERGENT LIQUIDE POUR LE LAVAGE DE LA VAISSELLE À LA MAIN



**REMARQUE :** Si vous utilisez un détergent qui n'est pas conçu pour les lave-vaisselle, il se formera de la mousse à l'intérieur de l'appareil. Pendant le fonctionnement, cette mousse sortira par les événements de l'appareil et s'écoulera sur le plancher de cuisine.

Comme bon nombre de contenants de détergent se ressemblent, rangez le détergent pour lave-vaisselle à part de vos autres produits nettoyants. Montrez le bon détergent à toute personne susceptible d'utiliser le lave-vaisselle, ainsi que l'endroit où vous le gardez.

Même si l'utilisation d'un détergent non conçu pour les lave-vaisselle automatiques ne risque pas de causer des dommages permanents à votre appareil, votre vaisselle ne sera pas aussi propre.

## À propos de la communication avec l'appareil

### WiFi Connect (certains modèles) (pour les clients aux États-Unis)

Certains modèles sont compatibles avec **GE Appliances WiFi Connect**. Une carte de communication pour réseau WiFi est intégrée au produit afin d'établir une communication à distance avec votre téléphone intelligent afin de surveiller, commander et recevoir des notifications.

Visitez le site [www.GEAppliances.com/connect](http://www.GEAppliances.com/connect) pour en savoir plus au sujet des caractéristiques de connectivité de votre appareil et pour déterminer la compatibilité des applications avec votre téléphone intelligent.

Connectivité WiFi : Veuillez GE Appliances appeler au numéro **1-800-GE-CARES** pour obtenir de l'aide au sujet de votre appareil ou la connectivité de réseau **ConnectPlus**.

*Cet appareil est conforme à la Partie 15 des Règlements de la FCC. Son utilisation est soumise aux deux conditions suivantes :*

1. *Cet appareil ne peut pas provoquer des interférences nuisibles, et*
2. *Cet appareil doit accepter toutes interférences reçues, y compris des interférences pouvant provoquer des opérations non souhaitées. Cet équipement a été éprouvé et est conforme aux limites d'un appareil numérique de Classe B, en accord avec la Partie 15 des Règlements de la FCC. Ces limites ont été conçues pour offrir une protection raisonnable contre des brouillages dans une installation résidentielle. Cet équipement produit, emploie et peut émettre des fréquences radio et peut provoquer des parasites aux communications radio s'il n'est pas installé et utilisé conformément aux instructions. Toutefois, il n'y a aucune garantie qu'aucune interférence ne se produira dans une installation particulière. Si cet équipement provoque des interférences à la réception de chaînes de radio ou de télévision, ce qui peut être déterminé en mettant l'équipement sous tension et hors tension, l'utilisateur est encouragé à essayer de corriger ces interférences avec l'une ou plusieurs des mesures suivantes :*
  - Réorienter ou repositionner l'antenne de réception.
  - Augmenter la distance séparant l'équipement et le récepteur.
  - Brancher l'équipement sur une prise sur un circuit différent de celui auquel le récepteur est branché.
  - Consulter le vendeur ou un technicien radio/TV expérimenté pour obtenir de l'aide.

**Étiquetage** : Les changements ou les modifications à cet appareil non expressément approuvés par le fabricant peuvent annuler le droit de l'utilisateur de faire fonctionner l'appareil.

# Chargement

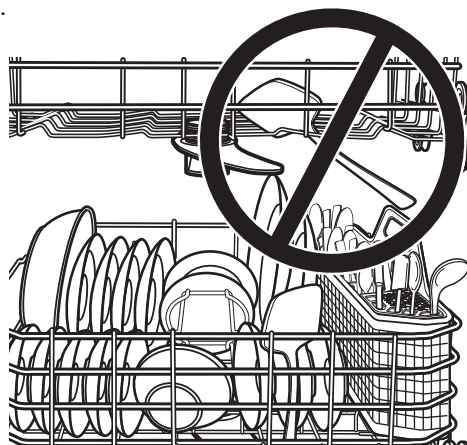
Pour un lavage optimal, veuillez suivre les lignes directrices ci-dessous pour le chargement des paniers. Les caractéristiques et l'apparence des paniers et du panier à couverts peuvent être différentes de celles de votre modèle.

## Panier supérieur

Le panier supérieur est principalement destiné aux verres, aux tasses et aux soucoupes. Pour de meilleures performances de lavage, inclinez tasse et ouvertures vitrées vers le centre de la panier. Otros ítems tales como ollas, cacerolas y platos pueden être placés dans le panier supérieur. C'est aussi un endroit sûr pour les articles de plastique qui vont au lave-vaisselle. Le panier supérieur peut être utilisé pour les ustensiles aux dimensions spéciales. Les poêlons, les bols à mélanger et d'autres articles de taille similaire doivent être placés à l'envers pour un meilleur résultat de lavage. Veillez à ce que les petits articles en plastique ne puissent bouger car ils pourraient s'endommager en tombant dans l'élément chauffant au fond du lave-vaisselle.

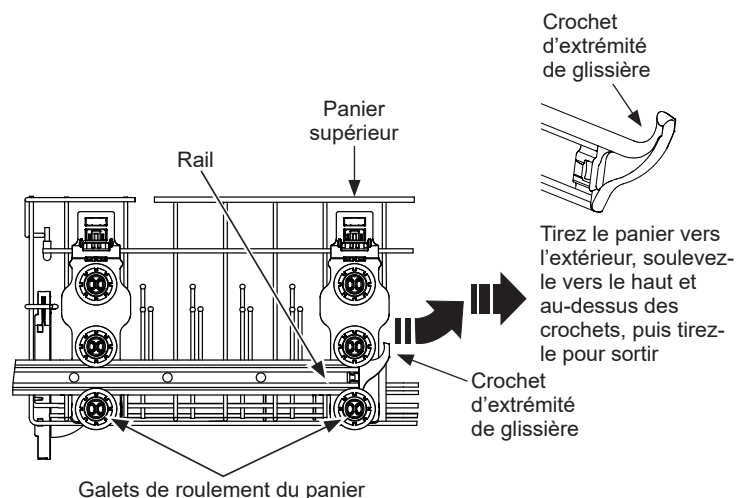
**IMPORTANT :** Assurez-vous que les articles dans le panier supérieur ne gênent pas le 3e panier (certains modèles) lors du chargement ou du déchargement.

**IMPORTANT :** Il est important de faire en sorte que les articles ne dépassent pas du bas du panier ou du panier à couverts pour ne pas gêner la rotation du bras gicleur intermédiaire. Cette situation pourrait causer du bruit pendant le fonctionnement et/ou un lavage de piètre qualité.



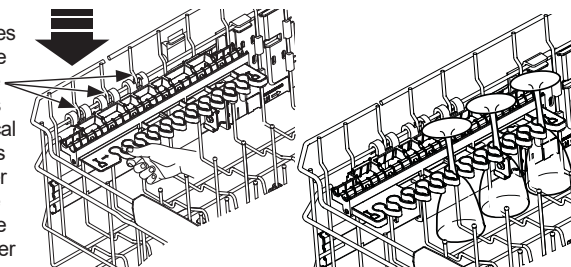
**ATTENTION** Un panier supérieur chargé peut être plus lourd qu'il ne semble. Évitez de soulever ou d'abaisser ce panier s'il est chargé afin d'éviter les blessures et d'endommager son contenu.

Sur certains modèles, le panier supérieur peut être ajusté pour recevoir les articles de plus grande taille. Pour ajuster le panier supérieur, tirez-le jusqu'au bout et soulevez son devant pour que ses roulettes passent par-dessus les crochets d'extrémité à l'avant des glissières. Continuez de tirer le panier jusqu'à ce que les roulettes restantes se dégagent de crochets. Sélectionnez le jeu de roulettes sur le côté du panier qui procure la hauteur désirée, et réinstallez le panier supérieur en alignant ses roulettes sur les crochets d'extrémité et les glissières. Assurez-vous que des roulettes se trouvent au-dessus et au-dessous des glissières. Le défaut d'aligner correctement les roulettes sur les crochets et les glissières peut causer la chute du panier du lave-vaisselle.



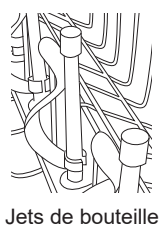
Pour ajouter de la polyvalence au chargement, une grille utilitaire « protège-pieds » (certains modèles) peut être placée dans le haut ou le bas, ou encore dépliée puis placée dans la position dépliée inférieure. Elle peut aussi servir à fixer des verres à pied comme les verres à vin. Étant donné que ces verres présentent différentes tailles, poussez lentement le panier vers l'intérieur afin que les articles ne percutent pas les bords du lave-vaisselle.

Placez les fentes des attaches de la grille utilitaire sur les broches du panier vertical et poussez vers le bas pour fixer la grille utilitaire sur la deuxième broche du panier

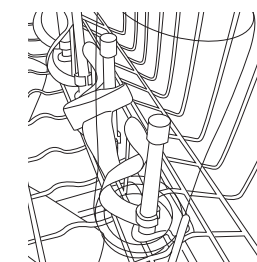
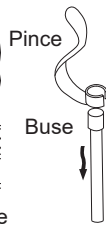


# Chargement

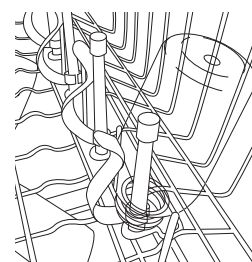
Le système  **Bottle Jets**  (jets de bouteilles) (certains modèles) est l'endroit idéal pour placer les bouteilles pour bébé, les bouteilles de sports allongées, ou d'autres articles allongés munis d'un orifice étroit. Les pinces du système  **Bottle Jets**  maintiennent les bouteilles dotées de petits orifices en place de façon que les jets d'eau puissent atteindre l'intérieur des bouteilles afin de nettoyer les zones d'accès difficile. Les pinces peuvent être placées ou retirées simplement en glissant l'orifice de la pince sur le dessus de la buse.



Jets de bouteille



Bouteille de sports maintenu en place sur un pince de Bottle Jets (jets de bouteilles)



Bouteille de bébé maintenu en place sous pince de Bottle Jets (jets de bouteilles)

Pour un lavage optimal, veuillez suivre les lignes directrices ci-dessous pour le chargement des paniers. Les caractéristiques et l'apparence des paniers et du panier à couverts peuvent être différentes de celles de votre modèle.

**Panier supérieur - 8 couverts**  
GDF510, GDF511, GDT535



**Panier supérieur - 10 couverts**  
GDF510, GDF511, GDT535



**Panier supérieur - 12 couverts**  
GDF510, GDF511, GDT535



**Panier supérieur - 8 couverts**  
GDF530, GDT605, GDP615, GDT635



**Panier supérieur - 10 couverts**  
GDF530, GDT605, GDP615, GDT635



**Panier supérieur - 12 couverts**  
GDF530, GDT605, GDP615, GDT635



**Panier supérieur - 8 couverts**  
GDF630 & GDF640



**Panier supérieur - 10 couverts**  
GDF630 & GDF640



**Panier supérieur - 12 couverts**  
GDF630 & GDF640



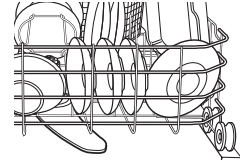
# Chargement

Pour un lavage optimal, veuillez suivre les lignes directrices ci-dessous pour le chargement des paniers. Les caractéristiques et l'apparence des paniers et du panier à couverts peuvent être différentes de celles de votre modèle.

## Panier inférieur

Le panier inférieur est destiné aux assiettes, aux soucoupes et aux articles de batterie de cuisine. Les gros articles tels que les lèchefrites et les plaques à pâtisserie doivent aller sur les côtés du panier. Si nécessaire, les verres et les tasses de grande taille peuvent être placés dans le panier inférieur pour optimiser le chargement. Les assiettes, les soucoupes et les articles similaires doivent être placés entre les tiges dans la direction qui permet un appui sûr.

**IMPORTANTE** : Il est important de faire en sorte que les articles ne dépassent pas du bas du panier ou du panier à couverts (certains modèles) pour ne pas gêner la rotation du bras gicleur inférieur. Cette situation pourrait causer du bruit pendant le fonctionnement et/ou un lavage de piètre qualité.



**8 couverts - Panier inférieur**  
GDF510, GDF511, GDF530, GDT535,  
GDT605, GDP615, GDT635



**10 couverts - Panier inférieur**  
GDF510, GDF511, GDF530, GDT535,  
GDT605, GDP615, GDT635



**12 couverts - Panier inférieur**  
GDF510, GDF511, GDF530, GDT535,  
GDT605, GDP615, GDT635



**8 couverts - Panier inférieur**  
GDF630\* & GDF640\*



**10 couverts - Panier inférieur**  
GDF630\* & GDF640\*



**12 couverts - Panier inférieur**  
GDF630 & GDF640



\*Voyez le **3e Panier** dans cette section sur le **Chargement** pour les configurations à **8 Couverts** et **10 Couverts** des ustensiles.

## Chargement

Pour un lavage optimal, veuillez suivre les lignes directrices ci-dessous pour le chargement des paniers. Les caractéristiques et l'apparence des paniers et du panier à couverts peuvent être différentes de celles de votre modèle.

### 3e Panier (GDF630 & GDF640)

Le 3e panier est l'endroit recommandé pour y déposer l'argenterie et les ustensiles de plus grande taille.

**ATTENTION** Usez de prudence lors du chargement, du déchargement ou du transport des plateau à argenterie ou à ustensiles. Les plateau peuvent contenir des articles coupants ou lourds. La chute d'articles ou d'un plateau peut causer des blessures.

### REMARQUES IMPORTANTES :

- Évitez que la coutellerie faite de matériaux différents ne se touche dans le 3e panier. Autrement, cela pourrait causer une décoloration de la coutellerie.
- Les plateau ne sont conçus que pour servir dans le 3e panier GE Appliances pour organiser l'argenterie, les ustensiles de cuisson et d'autres petits articles. L'utilisation des plateau à d'autres fins risque de les endommager ou d'endommager des objets à leur contact.
- Assurez-vous de fermer totalement le 3e panier avant de pousser la porte du lave-vaisselle. Pousser la porte avec le panier partiellement tiré peut endommager le lave-vaisselle.

8 Couverts



10 Couverts

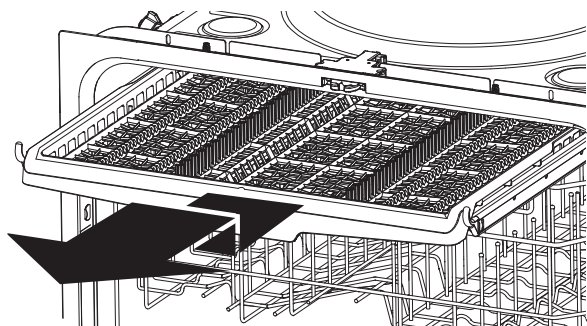


12 Couverts



Le 3e panier est aussi amovible pour permettre le placement de gros articles dans le panier supérieur :

Pour retirer le 3e panier à plateau :



- 1 Sortez complètement le panier, soulevez la partie avant du panier de manière à ce que les galets de roulement du panier dépassent les crochets de blocage.
- 2 Continuez de tirer le panier jusqu'à ce que les galets de roulement du panier dépassent les crochets de blocage.
- 3 Remplacez le panier en alignant les galets de roulement du panier sur les crochets de blocage et les rails du panier – assurez-vous que les galets de roulement sont bloqués sur le dessus des rails du panier.

# Chargement

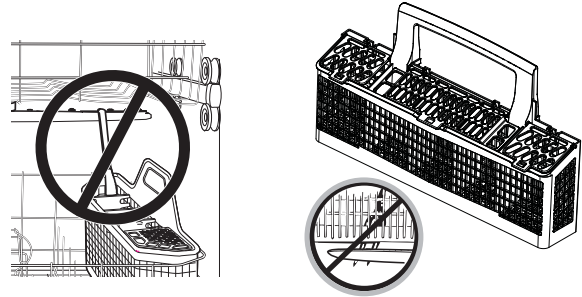
Pour un lavage optimal, veuillez suivre les lignes directrices ci-dessous pour le chargement des paniers. Les caractéristiques et l'apparence des paniers et du panier à couverts peuvent être différentes de celles de votre modèle.

## Panier à couverts

Placez les ustensiles plats dans le panier à couverts amovible. Les objets pointus, comme les fourchettes et les couteaux, peuvent être placés avec les poignées vers le haut de façon à protéger vos mains. Pour les meilleurs résultats de lavage, placez les autres articles comme les cuillères avec la poignée vers le bas. Évitez de regrouper les articles afin de favoriser un lavage optimal. Lors du chargement, répartissez les articles uniformément dans le panier.

Le panier à couverts peut aussi être utilisé pour les petits articles, tels que cuillères à mesurer, sucres de bouteille pour bébé, capuchons de plastique ou porte-épis de maïs. Les couvercles du panier amovible (certains modèles) peuvent être fermés pour contenir les petits articles.

**IMPORTANT :** Il est important de faire en sorte que les articles ne dépassent pas du bas du panier ou du panier à couverts pour ne pas gêner la rotation du bras gicleur intermédiaire. Cette situation pourrait causer du bruit pendant le fonctionnement et/ou un lavage de piètre qualité.



**Panier à couverts - 8 couverts**  
GDF510, GDF511, GDF530, GDT535,  
GDT605, GDP615, GDT635



**Panier à couverts - 10 couverts**  
GDF510, GDF511, GDF530, GDT535,  
GDT605, GDP615, GDT635



**Panier à couverts - 12 couverts**  
GDF510, GDF511, GDF530, GDT535,  
GDT605, GDP615, GDT635, GDF630\*, GDF640\*



\*Voyez le **3e Panier** dans cette section sur le **Chargement** pour les configurations à **8 Couverts** et **10 Couverts** des ustensiles.

## Entretien et nettoyage

---

### Tableau de commande

Pour nettoyer le tableau de commande, utilisez un chiffon doux légèrement humide, puis asséchez-le.

---

### Panneau de la porte

Avant de nettoyer le panneau avant de la porte, vérifiez de quel type de panneau il s'agit. Vérifiez les deux dernières lettres de votre numéro de modèle. Vous trouverez le numéro de votre modèle sur la paroi gauche de la cuve, tout juste à l'intérieur de la porte. Si votre numéro de modèle se termine par les lettres BB, CC, WW, SA, ES, DS ou TS votre appareil est doté d'un panneau de porte peint. Si votre numéro de modèle se termine par les lettres SS, votre appareil est doté d'un panneau de porte en acier inoxydable. Si votre numéro de modèle se termine par « II », alors il est doté d'un panneau de porte intégré.

Veillez suivre les directives ci-dessous pour nettoyer le panneau de porte de votre modèle.

**Panneau de porte peint** (numéro de modèle se terminant par BB-noir, CC-bisque, WW-blanc, SA-argent, ES-ardoise, DS-ardoise noir ou TS-acier inoxydable noir)

Utilisez un chiffon doux et propre légèrement humide, puis séchez.

N'utilisez pas de tampon à récurer ou de poudre nettoiyante, car ils peuvent rayer la surface.

**Panneau de porte en acier inoxydable** (numéro de modèle se terminant par SS)

**Pour faire disparaître la rouille**, le ternissement et les petites imperfections, utilisez des nettoyants à l'acide oxalique tels que Bar Keepers Friend Soft Cleanser™. Utilisez uniquement un nettoyant liquide exempt d'abrasif et frottez dans la direction des lignes de brosse à l'aide d'une éponge douce humide. N'utilisez pas de cire ou de produit à polir pour électroménagers sur l'acier inoxydable.

**Pour faire disparaître d'autres imperfections ou marques**, utilisez le nettoyant Stainless Steel Magic ou un produit similaire avec un linge doux humide. N'utilisez pas de cire pour électroménagers, d'agents polissants, de javellisants ni de produits chlorés sur l'acier inoxydable. Vous pouvez commander le produit nettoyant Stainless Steel Magic (n° **WX10X29**) auprès du service des Pièces GE Appliances en composant le 800-661-1616 ou [electromenagersge.ca/fr/produits/filtres-et-accessoires](http://electromenagersge.ca/fr/produits/filtres-et-accessoires).

**Panneau de porte intégré** (numéros de modèle se terminant par II)

Il s'agit d'un panneau de porte personnalisé et vous devez vous reporter aux recommandations du fabricant d'armoires pour le nettoyage approprié.

---

### l'intérieur du lave-vaisselle

Pour nettoyer et désodoriser votre lave-vaisselle, utilisez de l'acide citrique ou le produit **Finish® Dishwasher Cleaner**, un additif détergent. **Finish® Dishwasher Cleaner** délogera les dépôts minéraux et fera disparaître la pellicule et les taches d'eau dure. Vous pouvez commander de l'acide citrique n° **WD35X151** au service des Pièces de GE Appliances au numéro 800-661-1616 ou sur le site [electromenagersge.ca/fr/produits/filtres-et-accessoires](http://electromenagersge.ca/fr/produits/filtres-et-accessoires). Vous pouvez vous procurer le produit **Finish® Dishwasher Cleaner** chez votre épicière ou.

---

### Porte intérieure en acier inoxydable et d'un bain

L'acier inoxydable utilisé pour fabriquer la cuve et la porte intérieure du lave-vaisselle procure la plus haute fiabilité dans la gamme des lave-vaisselle GE Appliances. Si la cuve et la porte intérieure du lave-vaisselle devaient être rayées ou ébréchées dans le cours d'un usage normal, elles ne rouilleront pas pour autant. Les dommages en surface n'affecteront pas leur fonction et leur durabilité.



# Entretien et nettoyage

## Filtres

Inspectez et nettoyez les filtres régulièrement. Il importe de le faire tous les deux mois ou plus souvent selon l'usage. Le besoin de nettoyer les filtres se remarque par une performance moindre de lavage ou lorsque la vaisselle semble rugueuse.

**⚠ AVERTISSEMENT** Les tiges de retenue peuvent constituer un risque d'étouffement pour les enfants en bas âge si elles sont retirées du lave-vaisselle. Gardez-les à l'écart des enfants.

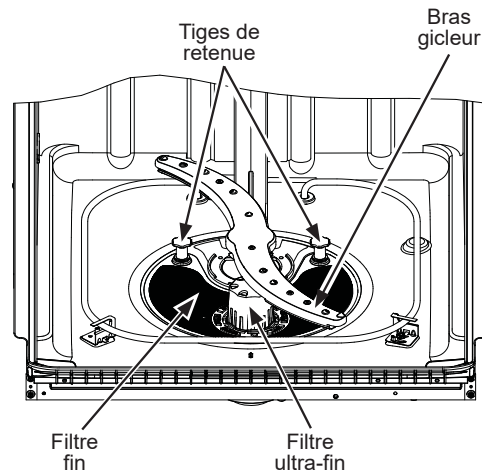
### Filtre ultra-fin

Pour nettoyer le Filtre ultra-fin, retirez le panier inférieur. Tournez le filtre ultra-fin dans le sens antihoraire et le soulever pour le retirer. Rincez le filtre à l'aide d'eau tiède savonneuse et utilisez une éponge pour essuyer les particules résistantes. L'utilisation de tampons à récurer ou de brosses peut endommager le filtre. Une fois nettoyé, remplacez le Filtre ultra-fin et tournez-le dans le sens des aiguilles pour le verrouiller en place.

### Filtre fin

Pour nettoyer le Filtre fin (plaque grillagée plate), retirez le panier inférieur. Retirez le Filtre ultra-fin.

Tournez chacune des deux tiges de retenue situées vers le fond arrière de la cuve, et retirez le Filtre fin. Rincez le filtre dans l'eau tiède savonneuse. L'utilisation de tampons à récurer ou de brosses peut rayer le filtre. Utilisez une brosse douce ou une éponge pour enlever la saleté rebelle ou les dépôts de calcium laissés par l'eau dure. Une fois nettoyé, remplacez le filtre fin ou ultra-fin. Tournez les deux tiges de retenue dans le sens horaire pour verrouiller en place.



## Protection contre le gel

Si vous laissez votre lave-vaisselle dans un endroit non chauffé pendant l'hiver, demandez à un technicien d'effectuer les tâches qui suivent :

- 1 Enlever l'alimentation électrique du lave-vaisselle. Enlever les fusibles ou déclencher les disjoncteurs.
- 2 Couper l'alimentation en eau et débrancher la conduite d'alimentation en eau de l'électrovanne.

- 3 Vidanger l'eau de la conduite d'alimentation et de l'électrovanne (utiliser un récipient pour recueillir l'eau)
- 4 Rebrancher la conduite d'alimentation en eau à l'électrovanne de l'appareil.

## Votre lave-vaisselle est-il doté d'une coupure antirefoulement?

Votre lave-vaisselle est-il doté d'une coupure antirefoulement?

Une coupure antirefoulement protège votre lave-vaisselle contre les refoulements d'eau lors d'un blocage du renvoi. Ce dispositif ne fait pas partie du lave-vaisselle. Il n'est pas couvert par votre garantie. Puisque tous les codes de plomberie n'exigent pas de coupures antirefoulement, il est possible que vous n'ayez pas un tel dispositif.

Coupure antirefoulement



Vérifiez la coupure antirefoulement dès que votre lave-vaisselle ne se vide pas bien.

Il est facile de nettoyer la coupure antirefoulement.

- 1 Arrêtez le lave-vaisselle et enlevez le couvercle de la coupure antirefoulement.
- 2 Enlevez le capuchon en plastique sous le couvercle et nettoyez-le à l'aide d'un cure-dents.
- 3 Remplacez le capuchon et le couvercle une fois la coupure antirefoulement nettoyée.



# Conseils de dépannage...Avant d'appeler un réparateur

Problème	Causes possibles	Correctifs
Le voyant d'état Start clignote	La porte a été ouverte ou le cycle a été interrompu.	Appuyez sur le bouton <b>Start</b> une fois puis fermez la porte en moins de 4 secondes pour démarrer le lave-vaisselle. Appuyez une deuxième fois sur la touche <b>Start</b> bouton que le lave-vaisselle est en marche pour annuler le programme.
Le lave-vaisselle fait entendre un signal sonore (BIP) toute le chaque minute (certains modèles)	Ce signal vous rappelle que vous avez ouvert la porte du lave-vaisselle pendant le fonctionnement. Le signal se fera entendre jusqu'à ce que vous fermiez la porte et appuyez sur <b>Start</b> .	Appuyez sur <b>Start</b> et fermer la porte.
Un signal sonore se fait entendre à la fin du programme (sur certains modèles)	Ce phénomène est normal. Le lave-vaisselle fait entendre deux signaux sonores à la fin du.	Pour annuler ce double signal sonore (ou pour le remettre en fonction si vous l'aviez précédemment annulé), appuyez 5 fois sur la touche Heated Dry en moins de 3 secondes. Trois signaux sonores se feront entendre pour indiquer que vous avez annulé ou remis en fonction l'option du signal sonore à la fin du programme.
La vaisselle et les couverts ne sont pas propres	Filtre ultra-fin ou fin est obstrué	Voir la section <b>Entretien et nettoyage</b> .
	La température de l'eau est trop basse	Assurez-vous que la température de l'eau qui alimente le lave-vaisselle est correcte (Voir la section <b>UTILISATION DU LAVE-VAISSELLE</b> ). Ouvrez le robinet d'eau chaude situé le plus près du lave-vaisselle, puis laissez couler l'eau jusqu'à ce que la température cesse de grimper. Mettez ensuite le lave-vaisselle en marche et fermez le robinet. Vous aurez ainsi la certitude que l'eau qui alimente le lave-vaisselle est chaude. Sélectionnez l'option <b>Wash Temp Boost</b> si elle disponible.
	Faible pression d'eau temporaire	Ouvrez un robinet. Le débit d'eau est-il plus faible que d'habitude? Si tel est le cas, attendez que la pression revienne à la normale avant d'utiliser votre lave-vaisselle. La pression d'eau normale du lave-vaisselle doit se situer en 20 et 120 lb/po2.
	Coupure anti-refoulement ou broyeur à déchets obstrués	Nettoyez la coupure anti-refoulement ou rincez le broyeur à déchets.
	Boucle de drainage secondaires ou la coupure anti-refoulement n'est pas installé	Reportez-vous aux instructions d'installation pour l'installation du tuyau d'évacuation adéquat.
	Chargement incorrect des paniers	Assurez-vous que les articles de grande dimension ne bloquent pas le distributeur de détergent ou les bras gicleurs. Reportez-vous à la section <b>Chargement</b> des paniers du lave-vaisselle.
	Détergent donnant de mauvais résultats	Utilisez un détergent reconnu comme <b>Finish® Quantum® Automatic Dishwashing Detergent</b> (détergent à vaisselle automatique).
Taches et pellicule sur les verres et les couverts	Eau extrêmement dure	Utilisez le produit de rinçage <b>Finish® Jet-Dry® Rinse Aid</b> pour faire prévenir les taches et prévenir la formation d'une pellicule. Si l'eau est très dure, un adoucisseur peut s'avérer nécessaire.
	Basse température de l'eau	Assurez-vous que la température de l'eau atteint au moins 49 °C (120 °F).
	Le lave-vaisselle est mal ou trop chargé	Placez la vaisselle dans l'appareil de la façon indiquée à la section <b>Chargement des paniers du lave-vaisselle</b> .
	Le lave-vaisselle est ou humide	Utilisez du détergent frais. Utilisez un détergent hautement coté tel que <b>Finish® Quantum® Automatic Dishwashing Detergent</b> (détergent à vaisselle automatique).
	Distributeur de produit de rinçage vide	Remplissez avec un produit de rinçage tel que <b>Finish® Jet-Dry® Rinse Aid</b> .
	Trop peu de détergent ou détergent donnant de mauvais résultats	Assurez-vous d'utiliser une quantité correcte de détergent reconnu.
Voile sur la verrerie	Combinaison d'une eau trop douce et de trop de détergent	Ceci est une « attaque chimique » et est irréversible. Pour éviter ce phénomène, utilisez moins de détergent si votre eau est douce. Lavez la verrerie sur le programme le plus court possible.
	Détergent sans phosphate peu efficace	Voir <b>Une pellicule blanche sur la verrerie, la vaisselle en et les surfaces internes</b> du lave-vaisselle en dans la section <b>Dépannage</b> .
	Température de l'eau entrant dans le lave-vaisselle est supérieure à 150°F (66°C)	Ceci pour être une « attaque chimique ». Abaissez la température de l'eau.

## Conseils de dépannage...Avant d'appeler un réparateur

Problème	Causes possibles	Correctifs
Mousse dans la cuve	<b>Mauvais détergent</b>	Pour éviter la formation de mousse, n'utilisez qu'un détergent conçu pour les lave-vaisselle automatiques. L'utilisation des <b>Finish® Quantum® Automatic Dishwashing Detergent</b> (détergent à vaisselle automatique) est approuvée dans tous les lave-vaisselles GE Appliances.  Pour faire disparaître la mousse de la cuve, ouvrez le lave-vaisselle et laissez-la se dissiper. Évacuez l'eau en appuyant sur <b>Start</b> et fermant la porte. Attendez 30 secondes. Ouvrez la porte, appuyez sur <b>Start</b> pendant 3 secondes, puis fermez la porte. Répétez au besoin.
	<b>Renversement de produit de rinçage</b>	Essuyez immédiatement le produit de rinçage renversé.
Il reste du détergent dans les distributeurs	<b>La vaisselle empêche l'accès au compartiment à détergent</b>	Repositionnez la vaisselle afin que l'eau provenant du bras inférieur puisse atteindre le distributeur de détergent. Reportez-vous à la section <b>Chargement</b> .  Repositionnez les plats susceptible de bloquer l'ouverture du couvercle du distributeur. Consultez la section <b>Chargement</b> .
Marques noires ou grises sur la vaisselle	<b>Frottement d'ustensiles en aluminium sur la vaisselle</b>	Faites disparaître ces marques à l'aide d'un produit nettoyant abrasif doux.
La vaisselle ne sèche pas	<b>Basse température de l'eau</b>	Assurez-vous que la température de l'eau qui alimente le lave-vaisselle atteint au moins 49 °C (120 °F). Sélectionnez l'option <b>Heated Dry</b> (Séchage à air chauffé) ou <b>Dry Boost</b> (Supplément de séchage). Sélectionnez les options <b>Wash Temp Boost</b> (Lavez boost temp). Sélectionnez un programme dont l'action de lavage est plus puissante, comme <b>Steam Sani</b> (Vapeur désinfecter) ou <b>Heavy</b> (Très sale).
	<b>Le robinet d'eau chaude est peut-être fermé</b>	Assurez-vous que le robinet d'eau chaude (habituellement situé sous l'évier) est ouvert.
	<b>Du temps de séchage supplémentaire est requis</b>	Laissez la porte fermée une fois le voyant Clean (propre) allumé pour laisser le ventilateur fonctionner durant un délai supplémentaire de 90 minutes (certains modèles). <b>Remarque</b> : Si vous ouvrez la porte, ce délai supplémentaire sera annulé.
	<b>Choix du cycle</b>	Il faut changer de cycle si vous utilisez un cycle <b>Light</b> (léger) qui utilise une basse température d'eau et offre par conséquent une performance de séchage limitée.
	<b>Achèvement des cycles</b>	Laissez les cycles se terminer en entier. Consulter la rubrique <b>Durées de cycle longues</b> dans la présente section <b>Conseils de Dépannage</b> .
	<b>Durées de cycle longues</b>	<b>Le lave-vaisselle procède au lavage en faisant alterner les bras gicleurs central et inférieur</b>
	<b>Niveau de saleté</b>	Le capteur de turbidité détecte la quantité de saleté qui se trouve sur les articles à laver. Les charges très sales prendront plus de temps à laver. C'est normal. Pour une meilleure performance de lavage et de séchage, laissez le cycle se terminer.
Commande a réagi aux entrées, mais le lave-vaisselle ne s'est jamais rempli d'eau	<b>La porte n'est peut-être pas totalement fermée.</b>	Assurez-vous que la porte soit bien fermée.
	<b>Le robinet d'eau est peut-être fermé</b>	Assurez-vous que le robinet d'eau (normalement sous l'évier) soit ouvert.
	<b>Flotteur d'inondation peut être coincé</b>	Retirez le filtre ultra-fin et tapoter sur la pièce sous le filtre ultra fine qui ressemble à un dôme. Remplacez le filtre.

# Conseils de dépannage...Avant d'appeler un réparateur

Problème	Causes possibles	Correctifs
Taches à l'intérieur de la cuve	Certains aliments à base de tomate peuvent causer des taches rouge très	L'utilisation du cycle <b>Steam Sani</b> (certains modèles) après l'ajout de vaisselle à la charge peut réduire la sévérité des taches.
	Taches de thé ou de café	Faites disparaître ces taches à la main à l'aide d'une solution contenant une 1/2 tasse de javellisant et 3 tasses d'eau chaude. <b>REMARQUE</b> : N'utilisez pas de javellisants sur la porte intérieure en acier inoxydable.  <b>⚠ ATTENTION</b> Avant de nettoyer l'intérieur de l'appareil, attendez au moins 20 minutes après la fin d'un programme de lavage pour permettre à l'élément chauffant de refroidir. Sinon, vous risquez de vous brûler.
	La présence d'une pellicule jaune ou brun tre peut être causée par des dépôts de fer dans l'eau	Le seul moyen de corriger ce problème consiste à installer un filtre spécial sur la conduite d'eau. Veuillez communiquer avec un fournisseur d'adoucisseurs d'eau.
	Pellicule blanch tre sur les surfaces internes – dépôts de minéraux causés par l'eau dure	GE Appliances recommande l'utilisation du produit de rinçage <b>Finish® Jet-Dry® Rinse Aid</b> pour empêcher la formation de dépôts de minéraux causés par l'eau dure. Faites fonctionner le lave-vaisselle en y versant de l'acide citrique pour enlever les dépôts de minéraux. Vous pouvez acheter ce produit au service des pièces de GE Appliances (n° de pièce <b>WD35X151</b> ). Pour obtenir les renseignements pour commander, reportez-vous à la dernière page. Sinon, acheter <b>Finish® Dishwasher Cleaner</b> et suivez les instructions sur l'étiquette.
Le lave-vaisselle ne fonctionne pas	Un fusible est grillé ou le disjoncteur est déclenché	Remplacez le fusible ou réenclenchez le disjoncteur. Débranchez tous les autres électroménagers du circuit.
	L'alimentation électrique est coupée	Dans certaines installations, l'alimentation électrique du lave-vaisselle est commandée par un interrupteur mural, souvent placé à côté de l'interrupteur du broyeur à déchets. Assurez-vous que l'interrupteur est à Marche.
	Les commandes sont verrouillées	Déverrouillez les commandes. Voir la section <b>Pour démarrer</b> .
Les voyants du tableau de commande s'éteignent lorsque vous réglez les commandes	Délai trop long entre les choix des touches	Vous avez un délai de 30 secondes pour appuyer sur chaque touche. Pour allumer à nouveau le tableau de commande, appuyez sur une touche ou déverrouillez, puis verrouillez la porte.
Il reste de l'eau propre au fond de la cuve	La coupure anti-refoulement est obstruée.	Nettoyez la coupure anti-refoulement. Voir la section <b>Entretien et nettoyage</b> .
	Boucle de drainage secondaires ou la coupure anti-refoulement n'est pas installé	Reportez-vous aux instructions d'installation pour l'installation du tuyau d'évacuation adéquat.
Il reste de l'eau au fond de la cuve	Le renvoi est bloqué	Si vous avez une coupure anti-refoulement, nettoyez-la. Voir la section <b>Entretien et nettoyage</b> . Si l'eau du lave-vaisselle se vide dans un broyeur à déchets, faites fonctionner le broyeur pour le dégager. Vérifiez si l'évier de votre cuisine se vide correctement. S'il ne se vide pas, vous aurez peut-être besoin d'un plombier.

# CONSEILS DE DÉPANNAGE...Avant d'appeler un réparateur

Problème	Causes possibles	Correctifs
Vapeur	Ceci est normal	De la vapeur s'échappe de l'évent pendant le lavage, le séchage et la vidange de l'eau. Elle est nécessaire pour le séchage.
Le voyant SANITIZED ne s'allume pas à la fin du programme	Vous avez ouvert la porte et le programme a été interrompu pendant ou après le cycle de lavage principal	Il ne faut pas interrompre le programme pendant ou après le cycle de lavage principal.
	La température de l'eau qui alimente le lave-vaisselle est trop basse	Augmentez le réglage du chauffe-eau pour que la température de l'eau varie entre 49 °C (120 °F) et 66°C (150 °F).
Bruit	<b>Bruits de fonctionnement normaux:</b> Ouverture du distributeur de détergent Entrée de l'eau dans le lave-vaisselle Arrêt et mise en marche du moteur à différents moments pendant le programme Les bras gicleurs démarrent et s'arrêtent à différents moments. Bruit de la pompe pendant la vidange de l'eau La pompe de vidange démarre et s'arrête à différents moments.	Tous ces bruits sont normaux. Aucun correctif n'est requis.
	Bruit causé par la vaisselle lorsque le bras gicleur tourne	Assurez-vous que les articles sont bien placés dans les paniers. Reportez-vous à la section <b>Chargement</b> .
	Les ustensiles frottent bruyamment contre la porte pendant le lavage.	Les ustensiles de grande taille peuvent être placés dans le panier supérieur pour éviter qu'ils percutent contre la porte intérieure durant le cycle de lavage.
Une pellicule blanche sur la verrerie, la vaisselle et les surfaces internes du lave-vaisselle	<b>Ce problème est probablement par une qualité détergent lave-vaisselle sans phosphate bas</b>	<p>Pour éliminer cette pellicule blanche, faites fonctionner votre lave-vaisselle avec de l'acide citrique. Utilisez la trousse d'acide citrique n° <b>WD35X151</b> disponible dans votre magasin le plus proche ou en ligne. Sinon, utilisez <b>Finish® Dishwasher Cleaner</b> trouvé à votre épicerie locale.</p> <p>Versez l'acide citrique dans le compartiment à détergent et fermez le couvercle. Placez dans le lave-vaisselle, la verrerie et la vaisselle propres mais recouvertes de la pellicule blanche. Ne mettez pas l'argenterie et les autres articles métalliques dans le lave-vaisselle. Faites fonctionner le lave-vaisselle sans détergent. La verrerie, la vaisselle et les surfaces intérieures du lave-vaisselle devraient ressortir propres. Un rinçage au vinaigre peut également être utilisé. Versez 1 tasse de vinaigre dans le lave-vaisselle après ouverture du compartiment à détergent et laissez le lave-vaisselle terminer le programme.</p> <p>L'utilisation d'un agent de rinçage tel que <b>Finish® Jet-Dry® Rinse Aid</b> peut aider à minimiser la formation de cette pellicule. De plus, utilisez un détergent reconnu comme <b>Finish® Quantum® Automatic Dishwashing Detergent</b> (détergent à vaisselle automatique) qui peut éviter la formation de cette pellicule.</p>

# Garantie GE Appliances sur les lave-vaisselle

**GARANTIE**

[www.electromenagersge.ca](http://www.electromenagersge.ca)

Toutes les réparations sous garantie seront effectuées par nos centres de réparation ou nos réparateurs autorisés. Appelez le 1.800.561.3344. Veuillez fournir le numéro de série et le numéro de modèle lorsque vous appelez pour obtenir le service. Pour le diagnostic, la réparation de votre appareil peut nécessiter l'utilisation du port de données embarqué. Celui-ci permet au technicien de réparation GE Appliances de diagnostiquer rapidement des problèmes avec votre appareil. Il permet également à GE Appliances d'améliorer ses produits en fournissant à ces derniers des informations sur votre appareil. Si vous ne voulez pas que les données de votre appareil soient envoyées à GE Appliances, veuillez demander à votre technicien de NE PAS soumettre les données à GE Appliances pendant la réparation.

Pour une période de :	GE Appliances remplacera :
<b>Un an</b> Un an à partir de la date d'achat initial	<b>Toute pièce</b> du lave-vaisselle qui se casse à cause d'un vice de matériau ou de main-d'oeuvre. Au cours de cette <b>année de garantie limitée</b> , GE Appliances fournira, <b>gratuitement</b> , toute la main-d'oeuvre et le service à la maison nécessaires pour remplacer la pièce défectueuse.

## Ce qui n'est pas couvert :

- Tout déplacement de service chez vous pour vous apprendre à utiliser votre lave-vaisselle.
- Toute mauvaise installation.  
Si vous avez un problème d'installation, appelez votre revendeur ou un installateur. Vous êtes responsable de fournir une bonne alimentation électrique, un bon échappement et tout autre branchement nécessaire.
- Toute panne du produit s'il a été malmené, mal usé ou utilisé à une autre fin que celle prévue ou utilisé commercialement.
- Tout remplacement des fusibles de la maison ou tout rebranchement des disjoncteurs.
- Tout dommage occasionné par un accident, un incendie, une inondation ou un acte de Dieu.
- Tout dommage subi après la livraison.
- Le service s'il est impossible d'avoir accès au produit pour ce faire.

Agrafez le reçu d'achat ici. Pour obtenir le service sous garantie, vous devez fournir la preuve de l'achat original.

## EXCLUSION DE GARANTIES IMPLICITES

Votre seul et unique recours est la réparation du produit selon les dispositions de cette Garantie limitée. Toutes les garanties implicites, incluant les garanties de commercialité et d'adéquation à un usage spécifique, sont limitées à une année ou à la période la plus courte autorisée par la législation.

Cette garantie est valable pour le premier propriétaire et tout autre propriétaire du produit s'il a été acheté au Canada pour utilisation domestique au Canada. Le service à domicile sous garantie sera fourni là où il est disponible et dans les régions que Mabe considère que l'offre de service est raisonnable.

**LE GARANT N'EST PAS RESPONSABLE DES DOMMAGES CONSÉQUENTS.**

**Garant : MC Commercial Inc., Burlington, ON, L7R 5B6**

## Soutien au consommateur

---

### Site Web de GE Appliances

Vous avez une question ou vous avez besoin d'aide pour votre appareil électroménager? Visitez le site Web de GE Appliances 24 heures par jour, tous les jours de l'année! Vous pouvez aussi y trouver d'autres formidables produits GE Appliances et tirer avantage de tous nos services d'assistance en ligne. Au Canada : **[ElectromenagersGE.ca/fr](http://ElectromenagersGE.ca/fr)**

---

### Enregistrez votre électroménager

Enregistrez votre nouvel appareil en ligne au moment qui vous convient le mieux! L'enregistrement de votre produit dans les délais prescrits permet une meilleure communication et un service rapide, selon les modalités de votre garantie, si besoin est. Vous pouvez également envoyer par courrier la carte d'enregistrement pré-imprimée qui se trouve dans l'emballage de votre appareil.

Au Canada : **[Prodsupport.mabe.ca/crm/Products/ProductRegistration.aspx](http://Prodsupport.mabe.ca/crm/Products/ProductRegistration.aspx)**

---

### Service de réparation

Un service de réparation expert GE Appliances se trouve à quelques pas de chez vous. Rendez-vous sur notre site et programmez, à votre convenance, une visite de réparation à n'importe quel jour de l'année.

Au Canada : **[electromenagersge.ca/fr/soutien/demande-de-service](http://electromenagersge.ca/fr/soutien/demande-de-service)** ou composez le 800.561.3344

---

### Prolongation de garantie

Procurez-vous une prolongation de garantie GE Appliances et informez-vous des rabais spéciaux en vigueur pendant la durée de votre garantie. Vous pouvez vous la procurer en ligne en tout temps. Les services GE Appliances seront toujours disponibles après l'expiration de la garantie.

Au Canada : **[electromenagersge.ca/fr/soutien/achat-d-une-garantie-prolongee](http://electromenagersge.ca/fr/soutien/achat-d-une-garantie-prolongee)** ou composez le 866.277.9842.

---

### Connectivité à distance

Pour de l'assistance concernant la connectivité au réseau sans fil (pour les modèles équipés de cette fonction), visitez notre site Web au **<http://www.electromenagersge.ca/fr/nouvelles-et-promotions/nouveautes/wifi-connect/>**.

---

### Pièces et accessoires

Les personnes ayant les compétences requises pour réparer elles-mêmes leurs appareils peuvent recevoir directement à la maison des pièces ou accessoires (les cartes VISA, MasterCard et Discover sont acceptées). Commandez en ligne 24 heures par jour.

Au Canada : **[electromenagersge.ca/fr/produits/filtres-et-accessoires](http://electromenagersge.ca/fr/produits/filtres-et-accessoires)** ou composer le 800.661.1616.

**Les instructions contenues dans le présent manuel comportent des procédures que tout utilisateur peut effectuer. Les autres types de réparation doivent généralement être confiés à un technicien qualifié. Utilisez de prudence : une réparation ou un entretien mal effectués peuvent rendre l'utilisation de l'appareil dangereuse.**

---

### Communiquez avec nous

Si vous n'êtes pas satisfait du service après-vente de GE Appliances, communiquez avec nous depuis notre site Web en fournissant tous les détails dont votre numéro de téléphone, ou écrivez à :

Au Canada : Director, Consumer Relations, MC COMMERCIAL INC. | Suite 310, 1 Factory Lane | Moncton, N.B. E1C 9M3  
**[electromenagersge.ca/fr/contactez-nous](http://electromenagersge.ca/fr/contactez-nous)**





# LAVAVAJILLAS

**INSTRUCCIONES DE SEGURIDAD**.....3

**USO DEL LAVAVAJILLAS**

Puesta en Marcha.....5

Dispensadores.....8

Comunicación del Electrodoméstico.....10

Carga del lavavajillas..... 11

**CUIDADO Y LIMPIEZA** ..... 16

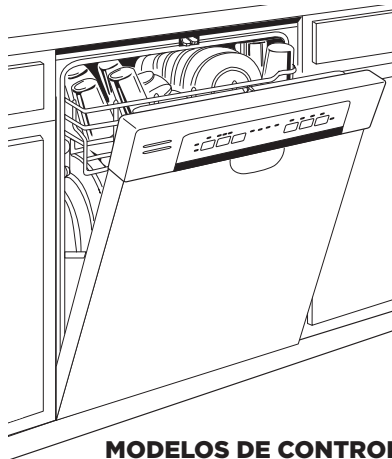
**CONSEJOS PARA LA SOLUCIÓN DE PROBLEMAS**.....19

**GARANTÍA**.....23

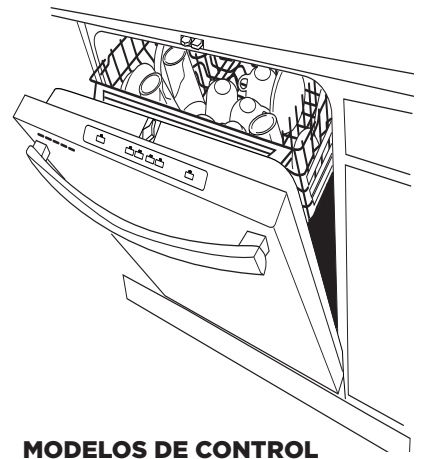
**SOPORTE AL CLIENTE**..... 24

## MANUAL DEL PROPIETARIO

GDF510-640 Serie  
 GDT535-635 Serie  
 GDP615 Serie



**MODELOS DE CONTROL FRONTAL**



**MODELOS DE CONTROL SUPERIOR**

Escriba los números de modelo y de serie aquí::

Nº de Modelo \_\_\_\_\_

Nº de Serie \_\_\_\_\_

Los podrá encontrar en la pared de la tina dentro de la puerta.

## **GRACIAS POR HACER QUE GE APPLIANCES SEA PARTE DE SU HOGAR.**

---

Ya sea que haya crecido usando GE Appliances, o que ésta es su primera vez, nos complace tenerlo en la familia.

Sentimos orgullo por el nivel de arte, innovación y diseño de cada uno de los electrodomésticos de GE Appliances, y creemos que usted también. Entre otras cosas, el registro de su electrodoméstico asegura que podamos entregarle información importante del producto y detalles de la garantía cuando los necesite.

Registre su electrodoméstico GE ahora a través de Internet. Sitios Web y números telefónicos útiles están disponibles en la sección de Soporte para el Consumidor de este Manual del Propietario.

También puede enviar una carta en la tarjeta de inscripción preimpresa que se incluye con el material embalado.



**GE APPLIANCES**

# INFORMACIÓN IMPORTANTE DE SEGURIDAD

## LEA TODAS LAS INSTRUCCIONES ANTES DE USAR

**▲ADVERTENCIA** Para su seguridad, siga las instrucciones de este manual a fin de minimizar riesgos de incendio, explosión, descargas eléctricas, y para evitar daños en su propiedad, lesiones personales o la muerte.

### ▲ADVERTENCIA INSTALACIÓN Y MANTENIMIENTO ADECUADOS

Esta lavadora se deberá instalar y ubicar de acuerdo con las Instrucciones de Instalación antes de ser usada. Si no recibió una ficha de Instrucciones de Instalación con su lavavajillas, podrá acceder a una visitando nuestro sitio web en **GEAppliances.com**.

- Conecte el lavavajillas/ electrodoméstico a un sistema de cableado de metal permanente con conexión a tierra o se debe tender un conductor para la conexión a tierra del equipo con los conductores del circuito y conectado al terminal de tierra del equipo o al conductor de suministro del electrodoméstico.
  - Una conexión inapropiada del conductor de conexión a tierra del equipo puede provocar riesgos de descargas eléctricas. Consulte a un electricista calificado o personal del servicio técnico si tiene dudas de que el electrodoméstico se encuentre conectado a tierra apropiadamente.
  - Deshágase de forma correcta de electrodomésticos y materiales de envío o embalajes descargados.
  - No intente reparar o reemplazar ninguna parte de la cocina, a menos que se lo recomiende específicamente en este manual. Cualquier otra reparación deberá ser realizada por un técnico calificado.
  - Use sólo el kit de cables WX09X70910 o cables duros para la conexión eléctrica. Si no se siguen estas instrucciones, se pueden producir riesgos de incendio y lesiones personales.
  - A fin de minimizar la posibilidad de descargas eléctricas, desconecte este electrodoméstico del suministro de corriente antes de intentar cualquier mantenimiento.
- NOTA:** Apagar el lavavajillas no desconecta el electrodoméstico del suministro de corriente. Le recomendamos que el servicio técnico de su electrodoméstico sea realizado por un técnico calificado.

### ▲ADVERTENCIA AL USAR SU LAVAVAJILLAS, SIGA LAS PRECAUCIONES BÁSICAS, INCLUYENDO LO SIGUIENTE:

- Use este electrodoméstico sólo para su propósito original, como se describe en el Manual del Propietario.
- Use sólo detergentes o agentes humectantes recomendados para use con un lavavajillas y mantenga los mismos fuera del alcance de los niños. El uso de un detergente que no esté diseñado específicamente para lavavajillas hará que este último se llene de agua con jabón.
- Ubique artículos puntiagudos de modo que no haya posibilidades de daños sobre el sellador de la puerta.
- Cargue los cuchillos puntiagudos con los mangos hacia arriba, a fin de reducir el riesgo de lesiones por cortes.
- No lave productos de plástico, a menos que contengan una marca de seguridad en lavavajillas o su equivalente. Cuando se trate de productos de plástico que no estén marcados de esta manera, consulte las recomendaciones del fabricante.
- No toque el elemento de calefacción durante o inmediatamente después del uso.
- No use su lavavajillas a menos que todos los paneles de cercamiento estén correctamente en sus lugares.
- No manipule indebidamente los controles.
- No abuse, no se siente, no se sostenga ni se pare sobre la puerta o la bandeja del plato del lavavajillas.
- A fin de reducir el riesgo de incendios, no permita que los niños jueguen con, sobre o dentro de este electrodoméstico en cualquier momento.
- No guarde ni use materiales combustibles, incluyendo gasolina u otros líquidos o vapores inflamables cerca de éste o de otros electrodomésticos.
- Las piezas pequeñas, tales como los sujetadores de estantes y los pivotes de retención de filtros, pueden generar riesgos de asfixia en niños pequeños si son retirados del lavavajillas. Mantenga los mismos fuera del alcance de los niños pequeños.

**LEA Y GUARDE ESTAS INSTRUCCIONES**

# INFORMACIÓN IMPORTANTE DE SEGURIDAD LEA TODAS LAS INSTRUCCIONES ANTES DE USAR

## ▲ADVERTENCIA SEGURIDAD DEL CALENTADOR DE AGUA

Bajo ciertas condiciones, se podrá producir gas de hidrógeno en un calentador de agua que no fue usado por dos semanas o más. **EL GAS DE HIDRÓGENO ES UN EXPLOSIVO.**

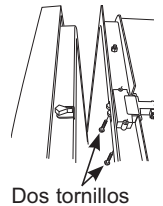
Si el agua caliente no se usó durante dos semanas o más, evite la posibilidad de daño o lesión abriendo todos los grifos de agua caliente y permitiendo que el agua corra durante varios minutos. Haga esto antes de usar cualquier artefacto eléctrico que esté conectado al sistema de agua caliente. Este procedimiento simple permitirá el escape de cualquier gas de hidrógeno acumulado. Debido a que el gas es inflamable, no fume, no use una llama abierta ni use el electrodoméstico durante este proceso.

## ▲ADVERTENCIA RIESGO DE QUE UN NIÑO QUEDE ATRAPADO

### FORMA ADECUADA DE DESCARTAR EL LAVAVAJILLAS

Los lavavajillas tirados o abandonados son peligrosos...incluso aunque se conserven por "sólo unos pocos días". Si se deshará de su lavavajilla, siga las siguientes instrucciones a fin de evitar accidentes.

- No permita que los niños jueguen con, en, o dentro de éste o cualquier electrodoméstico que haya descartado.
- Retire la puerta del compartimiento de lavado o quite la traba, retirando los dos tornillos del receptor de la traba dentro de la tina (como se muestra).



## ▲PRECAUCIÓN A FIN DE EVITAR LESIONES MENORES Y DAÑOS SOBRE LA PROPIEDAD

- Durante o después del ciclo de lavado, es posible que los contenidos estén calientes al tacto. Tenga cuidado antes de tomar los mismos.
- Se deberá estar especialmente atento si el electrodoméstico es usado por niños o se encuentra cerca de los mismos. No permita que los niños jueguen alrededor del lavavajillas cerrar la puerta, cerrar la bandeja superior, o mientras verticalmente ajustando la rejilla superior debido a la posibilidad de que sus dedos pequeños sean presionados.
- Productos que no sean utensilios: no lave artículos tales como filtros electrónicos de limpieza con aire, filtros de horno y brochas de pintura en su lavavajillas. Se podrán producir daños, decoloración o manchas sobre el lavavajillas.
- Cargue artículos de plástico livianos, de modo que no sean desplazados ni caigan al fondo del lavavajillas – es posible que entren en contacto con el calentador y sean dañados.

## ▲PRECAUCIÓN REQUISITOS ELÉCTRICOS

- Este electrodoméstico deberá ser provisto con 120V, 60 Hz, y estar conectado a un circuito individual correctamente conectado a tierra, protegido por un disyuntor o fusible de retardo de 15 o 20 amp.
- Si el suministro de corriente provisto no cumple con las especificaciones anteriores, se recomienda que un electricista matriculado instale un tomacorriente aprobado.
- Su circuito del lavavajillas no debería ser usado para ningún otro electrodoméstico mientras el lavavajillas está funcionando, ya que éste requiere toda la capacidad del circuito.

## ▲AVISO

- Si el lavavajillas está conectado a un tomacorriente de pared, asegúrese de que el interruptor esté encendido antes del uso.
- Si decide apagar el interruptor entre ciclos de lavado, espere entre 5 y 10 segundos luego de encender el interruptor antes de presionar **Start** (Iniciar) para permitir que el control se inicie.
- Use sólo polvo, **Finish® Quantum® Automatic Dishwashing Detergent**, detergentes líquidos o agentes de enjuague recomendados para uso con un lavavajillas y mantenga los mismos fuera del alcance de los niños. El Detergente para Lavavajillas Automáticos **Finish® Quantum® Automatic Dishwashing Detergent**, y los agentes de enjuagues **Finish® Jet-Dry® Rinse Aid** fueron aprobados para su uso en todos los lavavajillas de GE Appliances.

# LEA Y GUARDE ESTAS INSTRUCCIONES

# Puesta en Marcha

Las funciones y la apariencia variarán a través de este manual.

## 1 Cargue el Lavavajillas

Para obtener mejores resultados con el lavavajillas, siga las pautas para la carga de los estantes que figuran en la sección **Carga** de los estantes del lavavajillas. No se requiere enjuague previo sobre la suciedad normal de comida. Raspe las suciedades duras, incluyendo huesos, palillos, pieles y semillas. Retire las verduras con muchas hojas, restos de carne, y cantidades excesivas de grasa o aceite.

## 2 Agregue Detergente

Agregue la cantidad necesaria de detergente al dispensador de detergente. Use un detergente tal como **Finish® Quantum® Automatic Dishwashing Detergent**. Lea sobre el **Dispensadores** sección.

## 3 Agregue el Agente de Enjuague

Agregue el agente de enjuague **Finish® Jet-Dry® Rinse Aid** en el dispensador del agente de enjuague. Lea sobre el **Dispensadores** sección. **NOTA:** El uso del abrillantador puede mejorar aún más el rendimiento del secado del lavavajillas.

## 4 Seleccione el Ciclo

Presione la tecla **Select Cycle** (Selección del Ciclo) para realizar el ciclo de lavado deseado. La luz que se encuentra junto al botón **Select Cycle** (Selección de Ciclo) estará encendida para indicar qué ciclo de lavado ha sido seleccionado.

**NOTA:** Los tiempos del ciclo varían de acuerdo con el nivel de suciedad, la temperatura del agua, y las opciones seleccionadas.

El ciclo puede ser seleccionado con la puerta en la posición abierta. Este ciclo no se iniciará hasta que el botón **Start** (Iniciar) sea presionado y la puerta sea cerrada dentro de los 4 segundos.

**AutoSense** Este ciclo cuenta con un sensor automático del nivel de suciedad y ajusta el ciclo de lavado de (algunos modelos) forma proporcional.

**Heavy (Pesado)** Este ciclo se utiliza con platos, utensilios, cacerolas u ollas muy sucios y con suciedad seca u horneada. Es seguro usar los platos que utiliza a diario con este ciclo.

**Normal** Este ciclo es para uso diario, regular o típico a fin de lavar totalmente una carga completa de platos normalmente sucios y fue diseñado para ahorrar tanto agua como corriente. La función **Normal** se usó para medir el nivel de eficiencia de la corriente de este lavavajillas.

**1 Hour (1 Hora)** Este ciclo se utiliza con platos con un nivel de suciedad entre leve a medio y dura aproximadamente 1 hora. Es seguro para porcelana y cristal sin opciones seleccionadas.

**Rinse (Enjuague)** Para enjuagar cargas parciales que se lavarán después. No use detergente. El detergente no es dispensado durante el ciclo de enjuague. (algunos modelos)

## Puesta en Marcha

### 5 Seleccione Opciones

La luz junto al botón seleccionado estará iluminada para indicar que la función opción ha sido seleccionada.

<b>Wash Temp Boost (Aumento de la Temperatura de Lavado)</b> (algunos modelos)	<p>Esta opción incrementa la temperatura para ayudar a lavar los platos con alto nivel de suciedad y incrementará el ciclo de tiempo entre 20 y 50 minutos. Esta opción puede estar en <b>On</b> (Encendido) o <b>Off</b> (Apagado) durante el ciclo de lavado. Esta opción también mejorará el rendimiento del secado en el ciclo <b>Normal</b>.</p>
<b>Steam Sani (Vapor para Desinfectar)</b> (algunos modelos)	<p>Esta opción cuenta con varias funciones. La función Steam (Vapor) es introducida al comienzo del ciclo para ayudar con ítems con mucha suciedad y/o suciedades resacas o de horneados, y para desinfectar la vajilla y mejorar el rendimiento del secado elevando la temperatura del agua y el enjuague final. La duración del ciclo variará dependiendo de la temperatura del agua entrante. Esta opción <b>DEBERÁ</b> ser seleccionada <b>ANTES</b> de comenzar el ciclo. Disponible con los ciclos <b>Heavy</b> (Mucha Suciedad), <b>AutoSense</b> y <b>Normal</b> (Normal). <b>NOTA:</b> Esta opción es monitoreada con relación a los requisitos de desinfección. Si el ciclo es interrumpido durante o después de la parte del lavado principal o si la temperatura del agua entrante es tan baja que no se puede lograr un nivel de calor adecuado del agua, es posible que no se cumpla con las condiciones de desinfección. En estos casos, la luz de Sanitized (Desinfectado) no se iluminará al final del ciclo. Utilizar esta opción modificará el ciclo para cubrir los requisitos de la Sección 6, NSF 184 para la eliminación de suciedad y eficiencia de la desinfección. <b>NOTA:</b> Los lavavajillas residenciales certificados por NSF no podrán ser usados en establecimientos de comidas con licencia.</p>
<b>Heated Dry (Secado con Calor)</b>	<p>Esta opción podrá ser seleccionada presionando el botón <b>Dry</b> (Secar) una vez para iluminar la luz encendida. Esta configuración mejorará significativamente el rendimiento del lavado de la vajilla diaria, regular o típica. La opción de secado con calor normalmente le agregará 48 minutos al tiempo del ciclo. Esta opción no está disponible con el ciclo <b>Rinse</b> (Enjuague). <b>NOTA:</b> El uso del abrillantador puede mejorar aún más el rendimiento del secado del lavavajillas. La función <b>Heated Dry</b> (Secado con Calor) fue seleccionada para medir el nivel de eficiencia de este lavavajillas.</p>
<b>Dry Boost (Aumento del Secado)</b>	<p>Esta opción podrá ser seleccionada presionando el botón <b>Dry</b> (Secar) dos veces para que se ilumine la luz de Boost (Aumento). Esta opción le añadirá más tiempo a su opción de secado con calor, mejorando aún más el rendimiento de secado del lavavajillas para los ítems difíciles de secar. <b>NOTA:</b> El uso del abrillantador puede mejorar aún más el rendimiento del secado del lavavajillas.</p>
<b>Heated Dry Off (Secado con Calor Apagado)</b>	<p>Apaga la opción del ciclo de secado. Los platos se secan con el aire en forma natural y se ahorra energía. Abrir la puerta al final del ciclo podrá mejorar el rendimiento del secado. <b>NOTA:</b> El uso del abrillantador puede mejorar aún más el rendimiento del secado del lavavajillas.</p>
<b>Bottle Jets (Jets de Botellas)</b> (algunos modelos)	<p>Esta opción incrementa el tiempo en que los chorros de la botella están activados y puede añadir un máximo de 23 minutos para el tiempo de ciclo. Use esta opción para lavar de forma segura en el lavavajillas objetos difíciles como biberones, botellas para deportistas, tazas de café altas, etc. Consulte las recomendaciones de uso en la sección de Carga del Lavavajillas.</p>
<b>Wash Zones (Áreas de Lavado)</b> (algunos modelos)	<p>Seleccionar las Áreas de Lavado Superior o Inferior apuntará al lavado de un solo estante. Esto acortará el tiempo del ciclo y ahorrará energía. Esta opción debería ser usada cuando los platos sean colocados en un solo estante.</p>
<b>Delay Hours (Horas de Retraso)</b> (algunos modelos)	<p>Retrasa el comienzo de un ciclo de lavado hasta entre 8 y 12 horas, dependiendo del modelo. Presione <b>Delay Hours</b> (Horas de Retraso), para seleccionar la cantidad de horas, y luego presione <b>Start</b> (Iniciar) una vez y cierre la puerta para comenzar la cuenta regresiva. El ciclo comenzará una vez que el tiempo asignado haya finalizado.</p>
<b>Control Lock (Bloqueo del Control)</b>	<p>Puede bloquear los controles para evitar que se haga cualquier selección. También puede bloquear los controles luego de haber comenzado un ciclo, a fin de evitar cambios en el ciclo. Por ejemplo: los niños no podrán iniciar de forma accidental el lavavajillas presionando los botones cuando esta opción haya sido seleccionada.</p> <p><b>Para usar LOCK/UNLOCK (Bloquear/ Desbloquear) el control del lavavajillas,</b> dependiendo del modelo, mantenga presionadas las teclas <b>Dry</b> (Secar) y <b>Steam</b> (Vapor), o en algunos modelos la tecla <b>Select Cycle</b> (Seleccionar Ciclo) durante 3 segundos. La luz de Lock Controls (Controles de Bloqueo), o en algunos modelos las luces de Light (luz) y Rinse Cycle (Ciclo de Enjuague) se encenderán para indicar que el control se encuentra bloqueado y se apagará para indicar que el control está desbloqueado.</p>

# Puesta en Marcha

## 6 Inicio del Lavavajillas

<b>Start (Iniciar)</b>	La puerta puede ser abierta seleccionar las opciones deseadas. Presione la tecla <b>Start</b> (Inicio) y dentro de 10 segundos cierre la puerta para comenzar el ciclo o que comience la cuenta regresiva de <b>Delay Hours</b> (Horas de Retraso). El ciclo de lavado comenzará en breve luego de cerrar la puerta. Si la puerta está abierta, las luces iluminadas se apagarán si una tecla no es presionada dentro de los dos minutos. Para activar la pantalla, cierre y abra la puerta o presione cualquier tecla.
<b>Interrupt or Pause or Pause (Interrupción o Pausa)</b>	Para interrumpir o pausar un ciclo de lavado, abra la puerta lentamente. Abrir la puerta hará que el ciclo de lavado quede pausado. El lavavajillas emitirá pitidos cada un minuto para recordarle que debe cerrar la puerta. Para reiniciar o reactivar el ciclo, presione <b>Start</b> (Iniciar), y cierre la puerta dentro 4 segundos.
<b>Cancel (Cancelar)</b>	Para cancelar un ciclo de lavado, mantenga presionado el botón <b>Start</b> (Iniciar) por 3 segundos y cierre la puerta. El lavavajillas se drenará, emitirá un pitido, y la luz del ciclo de lavado quedará en OFF (Apagado).

## 7 Luces y Sonidos del Ciclo Indicador

<b>Sanitized (Desinfectado)</b>	Se muestra al final del ciclo cuando la función <b>Wash Temp Sani (Sanitize)</b> (Desinfectar) haya sido seleccionada y el lavavajillas haya cumplido con los requisitos de desinfección. Para una descripción completa de esta opción, lea <b>Wash Temp Sani (Sanitize)</b> (Desinfectar). Abrir la puerta o presionar cualquier tecla mientras la puerta está cerrada hará que la luz se apague.
<b>Clean (Limpieza)</b>	Se muestra cuando un ciclo de lavado fue completado. La luz permanece en ON (Encendido) como recordatorio de que los platos están limpios. Abrir la puerta o presionar cualquier tecla mientras la puerta está cerrada hará que la luz se apague.
<b>Sabático/ Modo de Puerta Activada (algunos modelos)</b>	Para que esta opción esté en ON/OFF (Encendida/Apagada), mantenga presionados los botones <b>Start</b> (Iniciar) y <b>Wash Temp</b> (Temperatura de Lavado) durante 5 segundos, cierre la puerta y espere 3 minutos hasta que se active el modo de apagado automático del lavavajillas. En el modo <b>OFF</b> (Apagado), la pantalla de control, los sonidos de control y las luces internas (en algunos modelos) no responderán a la apertura o cierre de la puerta. Este modo puede ser usado al celebrar ciertos feriados religiosos tales como el Sabbath. Para activar el control y las luces internas (en algunos modelos), presione cualquier botón.

# Dispensadores

## Controle la Temperatura del Agua

El agua entrante deberá ser de por lo menos 120°F (49°C) y no más de 150°F (66°C) para una limpieza efectiva y para evitar daños sobre los platos. Controle la temperatura del agua con un termómetro para caramelos o para carne.

Abra el grifo de agua caliente más cercano al lavavajillas, coloque el termómetro en un vaso y deje que el agua corra de forma continua en el vaso hasta que la temperatura deje de subir.

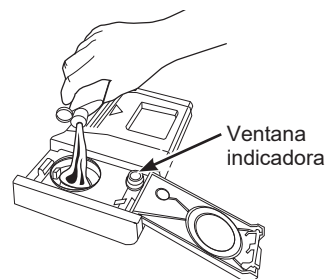
## Use un Agente de Enjuague

Los agentes de enjuague tales como **Finish® Jet-Dry® Rinse Aid** están diseñados para una gran acción de secado y para brindar protección contra manchas y acumulación de películas en sus platos, vasos, cubiertos, utensilios y plástico.

## Llenado del Dispensador

El dispensador del agente de enjuague tiene una capacidad de 3.5 oz. (104 ml) de agente de enjuague. Bajo condiciones normales, esto durará aproximadamente un mes - dependiendo de la ubicación.

- 1 Asegúrese de que la puerta del lavavajillas esté completamente abierta.
- 2 Abra la puerta del dispensador del agente de enjuague.
- 3 Lentamente agregue el agente de enjuague hasta que la taza esté llena. Es posible que se deba pausar varias veces para permitir que la ayuda para el enjuague se asiente. **NOTA:** La ventana indicadora no se enciende.
- 4 Limpie cualquier derrame producido por el agente de enjuague con una tela seca, a fin de evitar que haya espuma dentro del lavavajillas.
- 5 Cierre la puerta del dispensador de agente de enjuague.



## Configuración de la Ayuda para el Enjuague

La cantidad del agente de enjuague liberado en el lavado final se puede ajustar. Si las manchas con gotas de agua o agua dura permanecen en los platos luego del ciclo de lavado, incremente la configuración.

## Para ajustar la configuración

Abra la puerta del dispensador del Agente de Enjuague; luego gire el ajuste en dirección de las agujas del reloj para incrementar la cantidad de agente de enjuague, y en dirección contraria a las agujas del reloj para reducir la cantidad de agente de enjuague.



En dirección de las agujas del reloj para reducir las manchas con gotas de agua y agua dura



En dirección contraria a las agujas del reloj para reducir la espuma

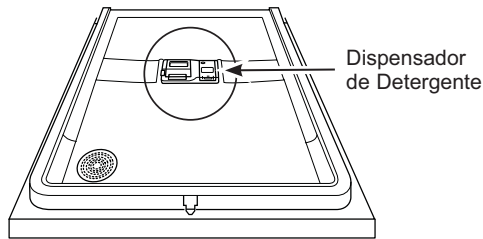


# Dispensadores

## Dispensador de Detergente

El dispensador de detergente está ubicado en el centro de la puerta del lavavajillas. Cuenta con dos compartimientos. El compartimiento de lavado principal se encuentra dentro del dispensador de detergente. Para abrirlo, presione el botón al costado del dispensador. El compartimiento de prelavado se encuentra en la tapa del dispensador de detergente. Use el compartimiento de prelavado sólo cuando el agua sea extremadamente dura o cuando la carga contenga un nivel de suciedad pesada. El compartimiento de prelavado no será utilizado cuando se usen detergentes en tableta o paquete.

**NOTA:** No bloquee el dispensador de detergente con platos grandes o altos.



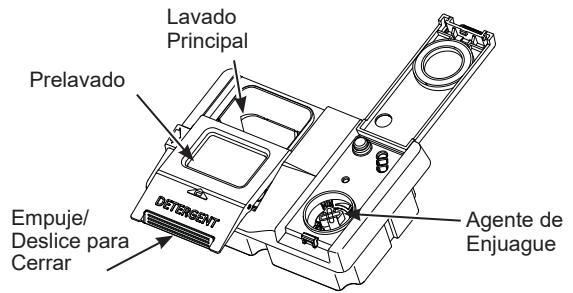
Puede usar detergente para lavavajillas automáticos en pastilla, polvo, líquido o gel. Asegúrese de usar sólo detergentes específicamente etiquetados para uso con lavavajillas automáticos. Nunca use detergente líquido de mano para platos en un lavavajillas automático. Como resultado del uso de detergentes inapropiados se producirá agua jabonosa o un lavado deficiente.

Los detergentes deberían ser guardados en una ubicación seca y en sus envases originales para evitar la pérdida de efectividad. Coloque detergente en una taza antes de encender el lavavajillas y luego cierre la tapa. La tapa se abrirá durante el ciclo de lavado.

## Llenado del Dispensador de Detergente

GE Appliances recomienda el uso de detergente en forma de pastilla o paquete. Pruebas independientes demostraron que esta forma de detergente es muy efectiva en el lavavajillas. **Finish® Quantum® Powerball®** es un ejemplo de este tipo de detergente. Simplemente coloque una tableta o paquete en el compartimiento principal de lavado y cierre la tapa de la taza de detergente deslizando esta última. Se debe observar que la pastilla o paquete deben ser colocados en el compartimiento de lavado principal de la taza de detergente. Si la pastilla o paquete son colocados en el compartimiento de prelavado o arrojados al fondo del lavavajillas, el detergente será descartado por el drenaje en un período muy corto de tiempo y será de este modo desperdiciado. Como resultado de esto, el rendimiento del lavado será muy deficiente.

Si decide usar detergente en polvo, líquido o en gel, la cantidad de detergente que use será determinada por la dureza del agua, la temperatura del agua, y la carga de suciedad de comida dentro del lavavajillas. Para acceder a información sobre la dureza del agua en su área, comuníquese con su compañía proveedora de agua. La dureza del agua se mide en granos por galón. Use esta información y la tabla que aparece más arriba para determinar la cantidad de detergente que se debe usar. Usted puede adquirir una tira de prueba de agua dura de GE Appliances. Llame al 1-877-959-8688 y solicite el número de pieza **WD01X10295**. En Canadá, comuníquese al 1-800-661-1616.

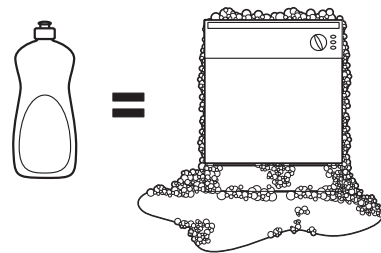


Use la tabla como punto inicial y luego ajuste la cantidad de detergente que usará. Use sólo la cantidad suficiente para un buen rendimiento del lavado. Usar sólo la cantidad correcta de detergente proveerá un gran rendimiento del lavado sin desperdiciar detergente ni enturbiar su cristalería.

Cantidad de Granos/Gal.	Galon(es) a Llenar
Menos de 4	Llene la taza hasta 1/3
4 a 8	Llene la taza hasta 2/3
8 a 12	Llene la taza completamente
Superior a 12	Llene tanto la taza principal de lavado como la taza de prelavado

El uso de demasiado detergente con agua muy suave y/o muy caliente podrá ocasionar una condición llamada grabado sobre su cristalería. El grabado es un enturbiamiento permanente sobre su cristalería. Esta condición es irreversible. Sin embargo, el uso de muy poco detergente ocasionará un rendimiento deficiente del lavado.

## NO USE DETERGENTE PARA LAVADO MANUAL



**NOTA:** El uso de un detergente que no esté diseñado específicamente para lavavajillas hará que este último se llene de agua con jabón. Durante el funcionamiento, esta agua con jabón se esparcirá por las ventilaciones del lavavajillas, cubriendo el piso de la cocina y mojando el mismo.

Debido a que muchos envases de detergente son parecidos, guarde el detergente para lavavajillas en un espacio aparte de los demás limpiadores. Muestre a cualquier persona que pueda usar el lavavajillas el detergente correcto y dónde se guarda.

Mientras que no habrá daños duraderos sobre el lavavajillas, sus platos no se limpiarán si usa un detergente para platos cuya fórmula no haya sido diseñada para funcionar en lavavajillas automáticos.

# Acerca de la Comunicación del Electrodoméstico

## Conexión WiFi (algunos modelos) (Para clientes en Estados Unidos)

Algunos modelos son compatibles con **GE Appliances WiFi Connect** (GE Appliances Conexión WiFi). Una tarjeta de comunicación incorporada en el producto permite la comunicación del mismo con su teléfono inteligente para un monitoreo remoto, control y recepción de notificaciones.

Para aprender más sobre las funciones del electrodoméstico conectado y para saber qué aplicaciones del electrodoméstico conectado funcionarán con su teléfono inteligente, visite [www.GEAppliances.com/connect](http://www.GEAppliances.com/connect).

Conectividad WiFi: Para recibir asistencia en relación al electrodoméstico o la conectividad de red de **ConnectPlus**, comuníquese GE Appliances al **800-GE-CARES**.

*Este dispositivo cumple con la Parte 15 de la Normativa de la FCC. Su funcionamiento está sujeto a las dos condiciones siguientes:*

- 1. Este dispositivo no causa interferencias perjudiciales, y*
- 2. Este dispositivo debe aceptar cualquier interferencia recibida, incluidas las interferencias que puedan provocar un funcionamiento no deseado. Este equipo fue probado y cumple con los límites establecidos para un dispositivo digital de clase B, según la parte 15 de la Normativa de la FCC. Estos límites fueron diseñados para brindar una protección razonable contra interferencias nocivas en una instalación residencial. Este equipo genera, usa y puede emitir energía de radiofrecuencia y, si no se instala y utiliza de acuerdo con las instrucciones, puede ocasionar interferencias perjudiciales sobre las comunicaciones radiales. Sin embargo, no se garantiza que no se presenten interferencias en una instalación en particular. Si el equipo provoca interferencias perjudiciales para la recepción de radio o televisión, lo cual puede comprobar encendiendo y apagando el equipo, se aconseja al usuario que intente corregir la interferencia a través de una de las siguientes medidas:*

- Reoriente o reubique la antena receptora.*
- Aumente la separación entre el equipo y el receptor.*
- Conecte el equipo a un tomacorriente de un circuito diferente al tomacorriente al cual se encuentra conectado el receptor.*
- Para solicitar ayuda, consulte al proveedor minorista o a un técnico experimentado de radio/TV.*

**Etiqueta:** *Las modificaciones sobre esta unidad no aprobadas expresamente por parte del fabricante podrían anular la autoridad del usuario para utilizar el equipo.*

# Carga del lavavajillas

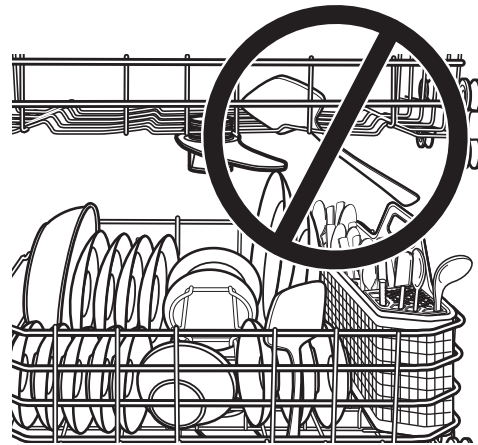
Para obtener mejores resultados con el lavavajillas, siga estas pautas de carga. Las funciones y apariencia de los estantes y canastas de cubiertos pueden variar con relación a su modelo.

## Estante Superior

El estante superior es principalmente para vasos, tazas y platitos. Para obtener el mejor rendimiento de lavado, incline la taza y aberturas de vidrio hacia el centro de la parrilla. Otros ítems tales como ollas, cacerolas y platos pueden ser ubicados en el estante superior. Éste es también un lugar seguro para colocar ítems de plástico de uso seguro en lavavajillas. El estante superior se puede usar con utensilios de tamaños atípicos. Las cacerolas, recipientes de mezcla y otros ítems con forma similar deberían ser colocados boca abajo para un mejor rendimiento del lavado. Asegúrese de que los ítems pequeños de plástico estén seguros, de modo que no puedan caer en el calefactor en el fondo del lavavajillas, dañando posiblemente el ítem.

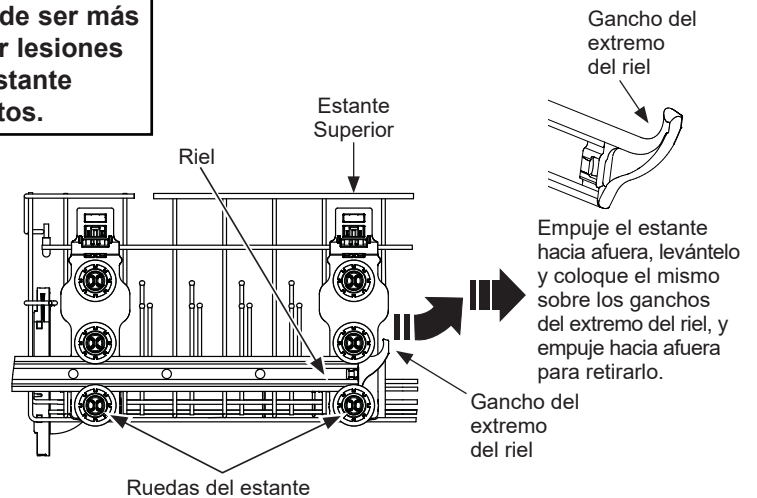
**IMPORTANTE:** Asegúrese de que los ítems del estante superior no interfieran con el tercer estante (en algunos modelos), al hacer cargas y descargas.

**IMPORTANTE:** Asegúrese de que los productos no sobresalgan más allá del fondo del estante o la canasta de plata donde bloquearán la rotación del brazo intermedio de rociado. Esto podría ocasionar ruidos durante el funcionamiento y/o un lavado deficiente.



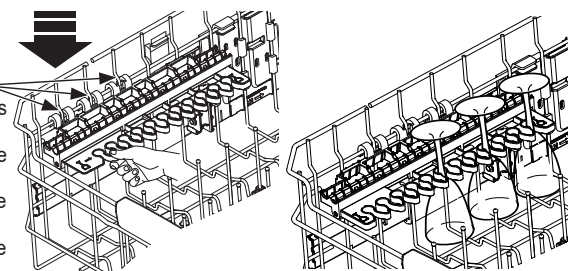
**⚠ PRECAUCIÓN** Un estante superior cargado puede ser más pesado de lo previsto. Para evitar lesiones leves o daños en el contenido, no levante ni baje el estante superior luego de que el mismo esté cargado con platos.

En algunos modelos, el estante superior se podrá ajustar para ubicar artículos más grandes. Para ajustar el estante superior, extienda el mismo totalmente y levante el frente, de modo que las ruedecillas del estante despejen los ganchos del extremo en la parte frontal de los rieles. Continúe empujando el estante hasta que sus ruedecillas despejen el gancho del extremo. Seleccione el conjunto de ruedas al costado del estante, las cuales brindan la altura deseada, y vuelva a instalar el estante superior alineando las ruedecillas del estante en el gancho del extremo y en los rieles del estante. Asegúrese de que haya ruedecillas sobre y debajo de los rieles del estante. Si las ruedas no son correctamente alineadas con el gancho del extremo y los rieles, el estante se podrá caer del lavavajillas como resultado.



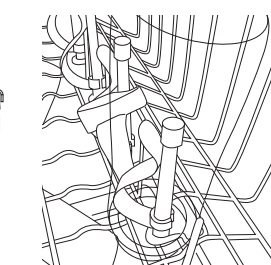
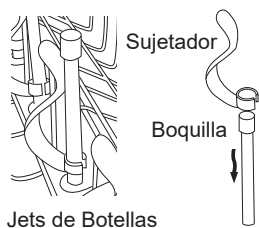
A fin de agregar flexibilidad en la carga, el estante de contención (en algunos modelos) podrá ser ubicado en la posición superior o inferior, o podrá ser desplegado y colocado en la posición inferior. La repisa también podrá ser usada para asegurar productos de vidrio tales como copas de vino. Debido a que estos productos vienen en diferentes tamaños, lentamente empuje el estante hacia adentro para asegurar que los productos no choquen contra el lavavajillas, lo cual podrá ocasionar daños sobre los productos.

Coloque las ranuras de los sujetadores de el estante utilitario sobre los alambres de la repisa vertical, y empuje hacia abajo para adherir el estante utilitario sobre el segundo alambre del estante

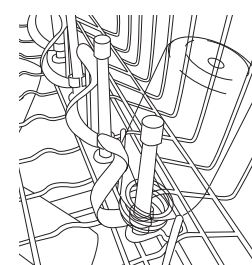


# Carga del lavavajillas

El sistema  **Bottle Jets**  (Jets de Botellas) (en algunos modelos) es la ubicación ideal para posicionar los biberones, mamaderas, botellas deportivas altas, u otros productos con aberturas estrechas. Los sujetadores para  **Bottle Jets**  (Jets de Botellas) sostienen las botellas con pequeñas aberturas propias, de modo que los chorros de agua estén dirigidos hacia adentro de las botellas a fin de limpiar áreas difíciles de alcanzar. Los sujetadores pueden ser instalados o retirados, simplemente deslizando la abertura de los sujetadores sobre la parte superior de la boquilla.



Botella de deportistas mantiene en su lugar sobre un sujetador Bottle Jets (Jets de Botellas)



Biberón mantiene en su lugar debajo de un sujetador Bottle Jets (Jets de Botellas)

Para obtener mejores resultados con el lavavajillas, siga estas pautas de carga. Las funciones y apariencia de los estantes y canastas de cubiertos pueden variar con relación a su modelo.

**Estante Superior-Configuraciones de 8 lugares - GDF510, GDF511, GDT535**



**Estante Superior-Configuraciones de 10 lugares - GDF510, GDF511, GDT535**



**Estante Superior-Configuraciones de 12 lugares - GDF510, GDF511, GDT535**



**Estante Superior-Configuraciones de 8 lugares - GDF530, GDT605, GDP615, GDT635**



**Estante Superior-Configuraciones de 10 lugares - GDF530, GDT605, GDP615, GDT635**



**Estante Superior-Configuraciones de 12 lugares - GDF530, GDT605, GDP615, GDT635**



**Estante Superior-Configuraciones de 8 lugares - GDF630 & GDF640**



**Estante Superior-Configuraciones de 10 lugares - GDF630 & GDF640**



**Estante Superior-Configuraciones de 12 lugares - GDF630 & GDF640**



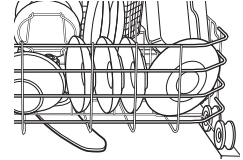
# Carga del lavavajillas

Para obtener mejores resultados con el lavavajillas, siga estas pautas de carga. Las funciones y apariencia de los estantes y canastas de cubiertos pueden variar con relación a su modelo.

## Estante Inferior

El estante inferior es más conveniente para platos, platitos y utensilios. Los productos grandes, tales como bandejas para asar y estantes para hornear deberán estar a los costados del estante. De ser necesario, los vasos y tazones de tamaños muy grandes podrán ser ubicados en el estante inferior, a fin de maximizar la flexibilidad de la carga. Los platos, platitos y productos similares deberían ser colocados entre los brazos en la dirección que permita que el producto permanezca seguro en el estante.

**IMPORTANTE:** Es importante asegurar que los productos no sobresalgan más allá del fondo del estante o la canasta de plata (en algunos modelos) donde bloquearán la rotación del brazo inferior de rociado. Además, asegúrese de que los platos grandes, ollas o ítems altos no golpeen el brazo intermedio de rociado. Esto podría ocasionar ruidos



**Estante inférieur-Configuraciones de 8 lugares - GDF510, GDF511, GDF530, GDT535, GDT605, GDP615, GDT635**



**Estante inférieur-Configuraciones de 10 lugares - GDF510, GDF511, GDF530, GDT535, GDT605, GDP615, GDT635**



**Estante inférieur-Configuraciones de 12 lugares - GDF510, GDF511, GDF530, GDT535, GDT605, GDP615, GDT635**



**Estante inférieur-Configuraciones de 8 lugares - GDF630\* & GDF640\***



**Estante inférieur-Configuraciones de 10 lugares - GDF630\* & GDF640\***



**Estante inférieur-Configuraciones de 12 lugares - GDF630 & GDF640**



\*Consulte sobre el tercer estante en esta sección de **Carga**, para colocaciones de cubiertos con **Configuraciones de 8 Lugares** y **Configuraciones de 10 Lugares**.

## Carga del lavavajillas

Para obtener mejores resultados con el lavavajillas, siga estas pautas de carga. Las funciones y apariencia de los estantes y canastas de cubiertos pueden variar con relación a su modelo.

### Tercer Estante (GDF630 & GDF640)

El 3er estante es la ubicación recomendada para los utensilios de plata y los utensilios grandes.

**⚠ PRECAUCIÓN** Tenga cuidado al cargar, descargar o transportar las bandeja de la vajilla de plata o de los utensilios. Es posible que las bandeja contengan ítems filosos o pesados. Si se caen ítems de las bandeja o si se caen bandeja, se podrán producir lesiones.

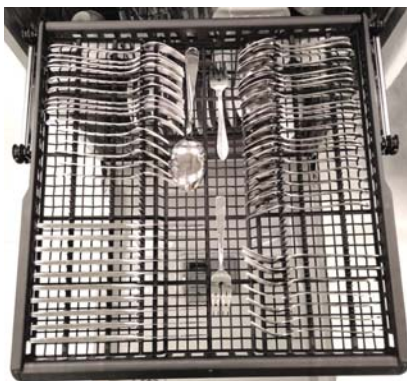
### NOTAS IMPORTANTES:

- No permita que cuchillerías de diferentes materiales tengan contacto una con otra en el 3er estante. Hacer esto podrá ocasionar la descoloración de la cuchillería.
- Las bandejas sólo deben ser usadas con un lavavajillas para el tercer estante de GE Appliances para usar con la vajilla de plata, utensilios de cocción y otros ítems pequeños. El uso de las bandejas para cualquier otro propósito podría ocasionar daños sobre las bandejas o daños sobre cualquier cosa que interactúe con las bandejas.
- Asegúrese de que el tercer estante esté completamente cerrado antes de cerrar la puerta del lavavajillas. Cerrar la puerta con el estante parcialmente extendido podría ocasionar daños sobre el lavavajillas.

Configuraciones de 8 lugares



Configuraciones de 10 lugares

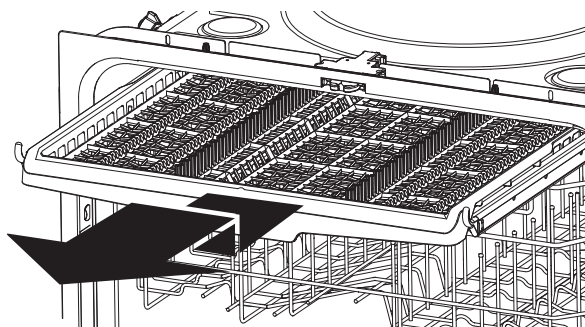


Configuraciones de 12 lugares



El tercer estante también se puede retirar, a fin de que se puedan colocar ítems muy grandes en el estante superior:

**Para retirar el 3er estante:**



- 1 Con el estante completamente extendido, levante el frente del estante de modo que sus ruedas despejen el gancho de retención.
- 2 Continúe empujando el estante hasta que sus ruedas restantes despejen el gancho de retención.
- 3 Reemplace el estante alineando las ruedas del estante sobre el gancho de retención y los rieles – Asegúrese de que todas las ruedas estén ubicadas en la parte superior de los rieles de los estantes.

# Carga del lavavajillas

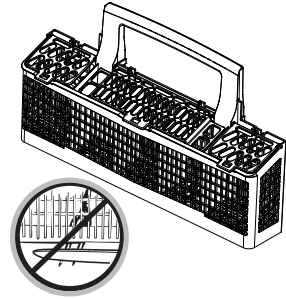
Para obtener mejores resultados con el lavavajillas, siga estas pautas de carga. Las funciones y apariencia de los estantes y canastas de cubiertos pueden variar con relación a su modelo.

## Canasta de Cubiertos

Coloque la vajilla plana en la canasta de cubiertos extraíble. Los objetos puntiagudos, tales como tenedores y cuchillos, podrán ser colocados con los mangos hacia arriba, a fin de proteger sus manos. Para el mejor rendimiento del lavado, coloque otros utensilios tales como cucharas con los mangos hacia abajo. Evite que los utensilios queden ubicados juntos, lo cual podrá evitar que se laven de forma adecuada. Al realizar la carga, distribuya los utensilios de forma pareja en la canasta.

La canasta de cubiertos también podrá ser usada para ítems pequeños, tales como cucharas de medición, tetinas de biberones, tapas de plástico, o recipientes de maíz. Las tapas de las canastas de cubiertos (en algunos modelos) se pueden cerrar con utensilios pequeños adentro.

**IMPORTANTE:** Asegúrese de que los productos no sobresalgan más allá del fondo del estante o la canasta de plata donde bloquearán la rotación del brazo intermedio de rociado. Esto podría ocasionar ruidos durante el funcionamiento y/o un lavado deficiente.



**Canasta de cubiertos-Configuraciones de 8 lugares - GDF510, GDF511, GDF530, GDT535, GDT605, GDP615, GDT635**



**Canasta de cubiertos-Configuraciones de 10 lugares - GDF510, GDF511, GDF530, GDT535, GDT605, GDP615, GDT635**



**Canasta de cubiertos-Configuraciones de 12 lugares - GDF510, GDF511, GDF530, GDT535, GDT605, GDP615, GDT635, GDF630\*, GDF640\***



\*Consulte sobre el tercer estante en esta sección de **Carga**, para colocaciones de cubiertos con **Configuraciones de 8 Lugares y Configuraciones de 10 Lugares.**

# Cuidado y limpieza

---

## Panel de Control

A fin de limpiar el panel de control, use una tela levemente suave y húmeda. Luego seque totalmente.

---

## Exterior Door Panel

Antes de limpiar el panel frontal, asegúrese de saber qué tipo de panel posee. Consulte las últimas dos letras de su número de modelo. Puede ubicar su número de modelo en la pared de la tina del lado izquierdo, justo dentro de la puerta. Si su número de modelo termina en BB, CC, WW, SA, ES, DS o TS, entonces el panel de su puerta está pintado. Si su número de modelo termina en SS, entonces el panel de su puerta es de acero inoxidable. Si su número de modelo termina en II, entonces el panel de su puerta es integrado.

Siga las siguientes instrucciones para la limpieza del panel de la puerta correspondientes a su modelo específico.

**Panel de la Puerta Pintado** (números de modelo con terminación en BB– negro, CC–galleta, WW–blanco, SA–plateado, ES–pizarra, DS–pizarra negra or TS–acero inoxidable negro)

Limpie con un paño suave, limpio y levemente húmedo, y luego seque completamente.

No use almohadillas metálicas ni limpiadores en polvo, ya que estos productos podrán rayar el acabado.

**Panel de la Puerta de Acero Inoxidable** (número de modelo con terminación en SS)

**Para limpiar óxido y deslustres**, los limpiadores con ácido oxálico tales como Bar Keepers Friend Soft Cleanser™ eliminarán el óxido, deslustres y pequeñas manchas. Use sólo un limpiador líquido libre de material abrasivo y frote en la dirección de las líneas del cepillo con una esponja suave y húmeda. No use cera para electrodomésticos ni pula sobre el acero inoxidable.

**Para otras manchas y marcas**, use Stainless Steel Magic o un producto similar, con una tela limpia y suave. Para limpiar su electrodoméstico, no use cera, limpia metales, blanqueadores ni productos que contengan cloro sobre el acero inoxidable. Puede ordenar Stainless Steel Magic N° **WX10X29** a través de GE Appliances Parts (Piezas de GE Appliances) llamando al 1.877.959.8688.

**Panel de la Puerta Integrado** (números de modelo con terminación en II)

Se trata de un panel de la puerta con instalación normal, y será necesario consultar las recomendaciones de los fabricantes de gabinetes para una limpieza adecuada.

---

## Interior del Lavavajillas

Para limpiar y desodorizar su lavavajillas, utilice ácido cítrico o **Finish® Dishwasher Cleaner**, un detergente aditivo. **Finish® Dishwasher Cleaner** destruirá los depósitos minerales, y eliminará la película y manchas de agua dura. Puede ordenar el ácido cítrico n° **WD35X151** a través de GE Appliances Parts (Piezas de GE Appliances) llamando al 877-959-8688 o visitando **GEApplianceparts.com**. En Canadá, llame al 1-800-661-1616. Puede adquirir **Finish® Dishwasher Cleaner** en su tienda local.

---

## Puerta Interna y La Tina de Acero Inoxidable

El acero inoxidable usado para fabricar la tina del lavavajillas y la puerta interna brinda la mayor confiabilidad disponible en un lavavajillas de GE Appliances.

Si la tina del lavavajillas o la puerta interna fueran rayados o abollados durante el uso normal, los mismos no se oxidarán ni corroerán. Estas imperfecciones sobre la superficie no afectarán su funcionamiento o durabilidad.



# Cuidado y limpieza

## Filtros

Inspeccione y limpie los filtros en forma periódica. Esto debería ser realizado cada dos meses o más, dependiendo del uso. Si hay una reducción en el rendimiento del lavado o los platos están arenosos, también hay una indicación de que es necesario lavar los filtros.

**⚠ ADVERTENCIA** Los pivotes de retención pueden presentar riesgos de asfixia para niños pequeños si son retirados del lavavajillas. Mantenga los mismos fuera del alcance de los niños.

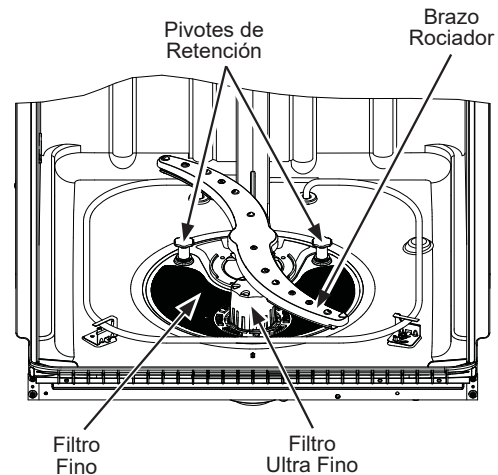
### Filtro Ultra Fino

Para limpiar el Filtro Ultra Fino retire el estante inferior. Tuerza el Filtro Ultra Fino en dirección contraria a las agujas del reloj y levante el mismo para retirarlo. Enjuague el filtro con agua caliente y jabón y use una esponja para eliminar con cuidado cualquier partícula rebelde. Fregar con estropajos o cepillos podrá dañar el filtro. Una vez limpio, reemplace el Filtro Ultra Fino, y gire en dirección de las agujas del reloj para bloquearlo.

### Filtro Fino

Para limpiar el Filtro Fino (placa de malla) retire el estante inferior. Retire el Filtro Ultra Fino.

Gire en dirección contraria a las agujas del reloj cada uno de los dos pivotes de retención ubicados hacia la parte inferior trasera de la tina, y retire el Filtro Fino. Enjuague el filtro con agua caliente y jabón. Los estropajos o cepillos pueden dañar la superficie del filtro, pero es posible que sea necesario usar un cepillo suave o esponja para retirar la suciedad difícil o los depósitos de calcio ocasionados por el agua dura. Una vez limpio, reemplace el Filtro Fino y el Filtro Ultra Fino. Tuerza las dos trabas de retención en dirección de las agujas del reloj para bloquearlas en su posición.



## Protección Contra Congelamientos

Si su lavavajillas se deja en un lugar sin calefacción durante el invierno, solicite a un técnico del servicio que:

- 1 Corte la corriente eléctrica al lavavajillas. Retire fusibles quemados o disyuntores desactivados.
- 2 Corte el suministro de agua y desconecte la línea de entrada de agua desde la válvula de agua.
- 3 Drene el agua desde la línea de entrada de agua y la válvula de agua. (Use una olla para atrapar el agua.)
- 4 Vuelva a conectar la línea de entrada de agua a la válvula de agua.

## ¿Posee su Lavavajillas un Espacio de Aire?

Un espacio de aire protege su lavavajillas contra la acumulación de agua en éste si un drenaje se atasca. El espacio de aire no es una parte del lavavajillas. No está cubierto por su garantía. No todos los códigos de plomería requieren espacios de aire; por lo tanto, es posible que usted no tenga uno.

Espacio de aire



Controle el espacio de aire en cualquier momento en que su lavavajillas no esté drenando de forma correcta.

**El espacio de aire es fácil de limpiar.**

- 1 Apague el lavavajillas y levante la tapa del espacio de aire.
- 2 Retire el tapón de plástico debajo de la tapa y limpie con un palillo.
- 3 Reemplace el tapón y la tapa cuando el espacio de aire esté limpio.



# Antes de Solicitar el Servicio Técnico

Problema	Causas Posibles	Qué Hacer
Luz titilante del indicador del estado de Inicio	La puerta fue abierta o el ciclo fue interrumpido.	Presione el botón <b>Start</b> (Iniciar) una vez y cierre la puerta dentro de los 4 segundos para iniciar el lavavajillas. Presione la tecla <b>Start</b> (Iniciar) una segunda vez cuando el lavavajillas esté funcionando únicamente si desea cancelar el ciclo.
El lavavajillas emite un PITIDO una vez por minuto (algunos modelos)	Esto es un recordatorio de que la puerta de su lavavajillas se dejó abierta durante el funcionamiento. Continuará emitiendo pitidos hasta que presione Start (Iniciar) y cierre la puerta.	Presione <b>Start</b> (Iniciar) y cierre la puerta.
Pitidos al final del ciclo (en algunos modelos)	Esto es normal. El lavavajillas emitirá dos pitidos al final del ciclo.	Para apagar el indicador del doble pitido (o reactivarlo si fue apagado en forma previa, presione la tecla <b>Heated Dry</b> (Secado en Caliente) 5 veces dentro de un período de 3 segundos. Un triple pitido sonará para indicar que la opción del pitido de final del ciclo fue encendida o apagada.
Los platos y los cubiertos no están limpios	El filtro ultra-fino o fino está atascado	Lea la sección de <b>Cuidado y limpieza</b> .
	Temperatura baja del agua entrante	Asegúrese de que la temperatura del agua entrante sea la correcta (consulte la sección <b>Uso del lavavajillas</b> ). Encienda el grifo de agua caliente más cercano al lavavajillas, deje correr hasta que la temperatura del agua deje de subir. Luego inicie el lavavajillas y apague el grifo. Esto asegura que el agua entrante está caliente. Seleccione <b>Wash Temp Boost</b> (Aumento de la Temperatura de Lavado) si está disponible.
	La presión del agua está temporariamente baja	Abra el grifo. ¿Sale el agua de forma más lenta que lo normal? Si es así, espere hasta que la presión sea normal antes de usar el lavavajillas. La presión normal de agua hasta el lavavajillas debe ser de entre 20 y 120 psi.
	El espacio de aire o la salida de residuos están atascados	Limpie el espacio de aire o despeje la salida de residuos.
	El bucle de drenaje alto o el espacio de aire no fueron instalados	Consulte las Instrucciones de Instalación para instalar una línea de drenaje adecuada.
	Carga inadecuada del estante	Asegúrese de que los utensilios grandes no bloqueen el dispensador de detergente o los brazos de lavado. Lea la sección de <b>Carga del lavavajillas</b> .
	Detergente de bajo rendimiento	Use un detergente de alta calificación tal como <b>Finish® Quantum® Automatic Dishwashing Detergent</b> .
Manchas y películas en vasos y utensilios	Agua extremadamente dura	Use agentes de enjuague tales como <b>Finish® Jet-Dry® Rinse Aid</b> para evitar manchas y evitar una nueva acumulación de películas. Si sólo cuando el agua sea extremadamente dura, un ablandador puede ser necesario.
	Temperatura baja del agua entrante	Asegúrese de que la temperatura del agua sea de por lo menos 120°F (49°C).
	Sobrecarga o carga inadecuada del lavavajillas	Cargue el lavavajillas como se muestra en la sección <b>Carga del lavavajillas</b> .
	Detergente en polvo viejo o húmedo	Asegúrese de que el detergente esté fresco. Use un detergente de alta calificación tal como <b>Finish® Quantum® Automatic Dishwashing Detergent</b> .
	El dispensador del agente de enjuague está vacío	Vuelva a llenar con un agente de enjuague tal como <b>Finish® Jet-Dry® Rinse Aid</b> .
	Demasiado poco o bajo rendimiento del detergente	Asegúrese de usar la cantidad correcta de detergente con alta calificación.
Enturbiamiento de la cristalería	Combinación de agua suave y demasiado detergente	Esto se llama aguafuerte y es permanente. Para evitar que esto suceda, use menos detergente si cuenta con agua suave. Lave la cristalería en el ciclo más corto en que pueda quedar limpia.
	Detergente libre de fosfato con bajo rendimiento	Lea sobre <b>Una película blanca sobre la cristalería, utensilios y su parte interna</b> en esta sección de <b>Solución de Problemas</b> .
	La temperatura del agua que ingresa al lavavajillas supera los 150°F (66°C)	Esto podría ser aguafuerte. Baje la temperatura del agua caliente.

## Antes de Solicitar el Servicio Técnico

Problema	Causas Posibles	Qué Hacer
Agua con jabón en la tina	Detergente equivocado	Use sólo detergentes para lavavajillas automáticos para evitar la generación de agua con jabón. Se probó que los <b>Finish® Quantum® Automatic Dishwashing Detergent</b> fueron aprobados para su uso en todos los lavavajillas de GE Appliances. Para eliminar el agua con jabón en la tina, abra el lavavajillas y permita que el agua con jabón se disipe. Bombee el agua hacia afuera presionando <b>Start</b> (Iniciar) y cierre la puerta. Espere 30 segundos. Abra la puerta, mantenga presionado <b>Start</b> (Iniciar) por 3 segundos y cierre la puerta. Repita estos pasos si es necesario.
	El agente de enjuague se derramó	Siempre limpie los derrames del agente de enjuague de forma inmediata.
Se dejó detergente en las tazas del dispensador	Los platos están bloqueando la taza de detergente	Reposicione los platos, de modo que el agua del brazo rociador inferior pueda despejar el detergente de la taza. Lea la sección <b>Carga del lavavajillas</b> . Reposicione los platos que pudiera estar impidiendo que la puerta de la taza del dispensador se abra. Lea la sección <b>Carga del lavavajillas</b> .
Marcas negras o grises en los platos	Utensilios de aluminio fueron frotados contra los platos	Retire las marcas con un limpiador suave y abrasivo.
Los platos no se secan	Temperatura baja del agua entrante	Asegúrese de que la temperatura del agua entrante sea de por lo menos 120°F. Seleccione <b>Heated Dry</b> (Secado en Caliente) o <b>Dry Boost</b> (Aumento del Secado). Use la opción <b>Wash Temp Boost</b> (Aumento de la Temperatura de Lavado). Seleccione un ciclo más alto, tal como <b>Steam Sani</b> (Vapor para Desinfectar) o <b>Heavy</b> (Pesado).
	El dispensador del agente de enjuague está vacío	Controle el dispensador del agente de enjuague y llene como se requiere.
	Es necesario tiempo de secado adicional	Deje la puerta cerrada cuando se encienda la luz de Clean (Limpio), para permitir que el ventilador funcione durante 90 minutos adicionales (en algunos modelos). <b>Nota:</b> Si abre la puerta, esta extensión del ventilador será cancelada.
	Selección ciclo	Si usará la función <b>Light cycle</b> (Ciclo con suave), la cual utiliza una temperatura de agua más baja y de este modo limita el rendimiento del secado, cambie a un ciclo diferente.
	Finalización del ciclo	Espere a que los ciclos sean totalmente completados. Consulte <b>Tiempos de ciclos largos</b> en esta sección de <b>Consejos para la solución de problemas</b> .
Tiempos de ciclos largos	El lavavajillas lava alternando los brazos rociadores intermedio y bajo	Los ciclos más prolongados son normales. Para un mejor rendimiento del lavado y secado, espere a que el ciclo sea completado.
	Nivel de suciedad	El sensor de turbiedad establece cuánta suciedad hay en los platos. Las cargas de platos con mucha suciedad agregarán más tiempo al ciclo. Esto es parte del funcionamiento normal. Para un mejor rendimiento del lavado y secado, espere a que el ciclo sea completado.
El panel de control respondió a las instrucciones pero el lavavajillas nunca se llenó de agua	Es posible que la puerta no esté completamente cerrada	Asegúrese de que la puerta esté firmemente cerrada.
	Es posible que la puerta no esté agua esté cerrada	Asegúrese de que la válvula de agua (normalmente ubicada debajo del lavabo) esté abierta.
	Los elementos flotantes podrán quedar atascados	Retire el filtro Ultra Fino y suavemente golpee la pieza que se encuentra debajo del filtro ultra fino, el cual parece a una cúpula. Reemplace el filtro.

# Antes de Solicitar el Servicio Técnico

Problema	Causas Posibles	Qué Hacer
Interior de la tina	Algunas comidas a base de tomate pueden generar manchas de color rojizo	El uso del ciclo <b>Steam Sani</b> (Vapor para Desinfectar) (en algunos modelos) luego de agregar el plato a la carga puede reducir el nivel de manchas.
	Manchas de té o café	Elimine la mancha en forma manual, usando una solución de ½ taza de blanqueador y 3 tazas de agua caliente. <b>NOTA:</b> No use blanqueador en la puerta interna de acero inoxidable.  <b>⚠ PRECAUCIÓN</b> Antes de limpiar la parte interna, espere por lo menos 20 minutos luego de un ciclo, hasta que los elementos de calentamiento se enfríen. Si esto no se cumple, se podrán sufrir quemaduras.
	Se podrá generar una película amarilla o marrón por los depósitos en el agua	El uso de un filtro especial en la cañería del suministro de agua es la única forma de corregir el problema. Comuníquese con una empresa de ablandamiento del agua.
	Película blanca en la superficie interna — minerales de agua dura	GE Appliances recomienda el uso de <b>Finish® Jet-Dry® Rinse Aid</b> para evitar la formación de depósitos minerales de agua dura. Haga funcionar el lavavajillas con ácido cítrico para eliminar los depósitos minerales. El ácido cítrico (número de pieza: <b>WD35X151</b> ) se puede ordenar a través de GE Appliances Parts (Piezas de GE Appliances). Para acceder a información sobre cómo ordenar, lea la contratapa. De forma alternativa, adquiera <b>Finish® Dishwasher Cleaner</b> y siga las instrucciones en la etiqueta.
El lavavajillas no funciona	Se quemó el fusible o el disyuntor está desactivado	Reemplace el fusible o reinicie el disyuntor. Retire cualquier otro electrodoméstico del circuito.
	El encendido está apagado	En algunas instalaciones, el encendido del lavavajillas es provisto a través de un interruptor de pared, con frecuencia ubicado junto al interruptor de desechos. Asegúrese de que esté encendido
	El panel de control está bloqueado	Desbloquee el panel de control. Consulte la sección <b>Puesta en marcha</b> .
Las luces del panel de control se apagan cuando está los controles	Demasiado tiempo para presionar las teclas seleccionadas	Cada tecla deberá ser presionada dentro de los 30 segundos con relación a las demás. Para volver a iluminarlas, presione cualquier tecla nuevamente o abra la puerta y desbloquee (control superior).
Agua en el fondo de la tina	El espacio de aire está atascado	Limpie el espacio de aire. Lea la sección de <b>Cuidado y limpieza</b> .
	El bucle de drenaje alto o el espacio de aire no fueron instalados	Consulte las Instrucciones de Instalación para instalar una línea de drenaje adecuada.
El agua no es bombeada fuera de la tina	El drenaje está atascado	Si hay un espacio de aire, limpie el mismo. Lea la sección de <b>Cuidado y limpieza</b> . Si el lavavajillas drena hacia la salida de residuos, despeje esta última. Controle que el lavabo de su cocina esté realizando un drenaje correcto. De no ser así, es posible que deba llamar a un plomero.

## Antes de Solicitar el Servicio Técnico

Problema	Causas Posibles	Qué Hacer
Vapor	Esto es normal	Aparece aire caliente y húmedo a través de la ventilación durante el secado y cuando el agua es bombeada hacia afuera. Esto es necesario para el secado.
La luz de des Sanitize (infección) no se ilumina al finalizar el ciclo	La puerta fue abierta y el ciclo fue interrumpido durante el enjuague final	No interrumpa el ciclo abriendo la puerta durante el ciclo de lavado.
	La temperatura del agua entrante era demasiado baja	Eleve la temperatura del calentador de agua a entre 120°F y 150°F.
Ruido	<b>Sonidos de funcionamiento normal:</b> Apertura de la taza de detergente Entra agua al lavavajillas El motor se detiene y activa en diferentes momentos durante el ciclo Los brazos rociadores se activan y detienen en diferentes momentos Sonidos de bombeo del drenaje durante el vaciado El bombeo del drenaje se activa y detiene varias veces durante cada drenaje	Todos estos son normales. Ninguna acción es requerida.
	Sonido ruidoso de los platos cuando el brazo rociador gira	Asegúrese de que los platos hayan sido cargados de forma adecuada. Lea la sección <b>Carga</b> .
	Sonido ruidoso de los utensilios contra la puerta durante el lavado	Los utensilios altos podrán ser colocados en el estante superior a fin de evitar el bombeo contra la puerta interna durante el ciclo de lavado.
Una película blanca en la cristalería, utensilios y el interior	Es posible que este problema sea ocasionado por un libre de fosfato de baja calidad	A fin de eliminar la película blanca, lave los platos a través del ciclo del lavavajillas con ácido cítrico. Use el kit de ácido cítrico <b>WD35X151</b> , el cual puede encontrar a través de Internet. De otra forma, use <b>Finish® Dishwasher Cleaner</b> , el cual puede adquirir en una tienda de compras local. Vierta el ácido cítrico en la taza de detergente y cierre la tapa. Coloque la cristalería y utensilios con la película o de otro modo limpia en el lavavajillas. Deje los utensilios de plata y otros artículos metálicos fuera del lavavajillas. Encienda el lavavajillas y haga que funcione un ciclo completo sin detergente. La cristalería, los utensilios y el lavavajillas deberían finalizar sin la película sobre éstos. De forma alternativa, se podrá usar un enjuague con vinagre. Vierta una taza de vinagre en el lavavajillas justo después de que la taza de detergente se abra y deje que el lavavajillas complete su ciclo.  Esto se podrá repetir varias veces al año, de ser necesario. El uso de un agente de enjuague tal como <b>Finish® Jet-Dry® Rinse Aid</b> podrá ayudar a minimizar una nueva acumulación de la película. Además, el uso de un detergente altamente calificado como <b>Finish® Quantum® Automatic Dishwashing Detergent</b> ayudará a evitar la acumulación de la película.

# Garantía del Lavavajillas de GE Appliances

**GARANTÍA**

## GEAppliances.com

Todo el servicio de garantía es provisto por nuestros Centros de Servicio de Fabricación, o un técnico autorizado de Servicio al Cliente (Customer Care®). Para programar una visita del servicio técnico, visítenos a través de Internet en GEAppliances.com, o llame GE Appliances al 800.GE.CARES (800.432.2737). Cuando llame para solicitar el servicio, tenga los números de serie y modelo disponibles.

Para realizar el servicio técnico de su electrodoméstico se podrá requerir el uso de datos del puerto de abordaje para su diagnóstico. Esto da al técnico del Servicio de Fábrica de GE Appliances la habilidad de diagnosticar de forma rápida cualquier problema con su electrodoméstico, y de ayudar a GE Appliances a mejorar sus productos al brindarle a GE Appliances la información sobre su electrodoméstico. Si no desea que los datos de su electrodoméstico sean enviados a GE Appliances, solicitamos que le indique a su técnico NO entregar los datos a GE Appliances en el momento del servicio.

<b>Por el Período de:</b>	<b>GE Appliances reemplazará:</b>
<b>Un Año</b> Desde la fecha de compra original	<b>Cualquier parte</b> del lavavajillas que falle debido a un defecto en los materiales o la fabricación. Durante esta <b>garantía limitada de un año</b> , GE Appliances también proveerá, <b>sin costo</b> , todo el trabajo y el servicio en el shogar relacionado con el reemplazo de la pieza que presente defectos.

## Qué No Cubrirá GE Appliances:

- Viajes del técnico del servicio a su hogar para enseñarle sobre cómo usar el producto.
- Instalación, entrega o mantenimiento inadecuados.
- Fallas del producto en caso de abuso, mal uso, o uso para propósitos diferentes al original o uso comercial.
- Reemplazo de fusibles de la casa o reinicio de disyuntores.
- Producto no accesible para brindar el servicio requerido.
- Daños ocasionados sobre el producto por accidente, incendio, inundaciones o catástrofes naturales.
- Daños incidentales o consecuentes causados por posibles defectos sobre este producto.
- Limpieza o servicio técnico del dispositivo de espacio de aire en la línea de drenaje.
- Daño ocasionado luego de la entrega, incluyendo daños sobre productos que sufrieron caídas al suelo.

## EXCLUSIÓN DE GARANTÍAS IMPLÍCITAS

Su única y exclusiva alternativa es la reparación del producto, como se indica en la Garantía Limitada. Las garantías implícitas, incluyendo garantías implícitas de comerciabilidad o conveniencia sobre un propósito particular, se limitan a un año o al período más corto permitido por la ley.

Esta garantía se extiende al comprador original y a cualquier dueño subsiguiente de productos comprados para uso hogareño dentro de EE.UU. Si el producto está en un área donde no se encuentra disponible un Proveedor Autorizado del Servicio Técnico de GE Appliances, usted será responsable por el costo de un viaje o se podrá requerir que traiga el producto a una ubicación del Servicio Técnico de GE Appliances Autorizado para recibir el servicio. Para acceder al servicio técnico correspondiente a la garantía, se deberá contar con la prueba de la fecha original de compra. En Alaska, la garantía excluye el costo de envío o llamadas del servicio a su hogar.

Algunos estados no permiten la exclusión o limitación de daños fortuitos o consecuentes. Esta garantía le da derechos legales específicos y es posible que tenga otros derechos legales que varían entre un estado y otro. Para conocer cuáles son sus derechos legales, consulte a la oficina de asuntos del consumidor local o estatal o al Fiscal de su estado.

**Garante: GE Appliances, a Haier Company**

**Garantías Extendidas:** Adquiera una garantía extendida de GE Appliances y conozca los descuentos especiales que están disponibles mientras su garantía aún está vigente. Puede acceder a la misma a través de Internet en cualquier momento en

[www.geappliances.com/service\\_and\\_support/shop-for-extended-service-plans.htm](http://www.geappliances.com/service_and_support/shop-for-extended-service-plans.htm)

o llamando al 800.626.2224 durante el horario comercial. Los Servicios para los GE Appliances aún estarán disponibles cuando su garantía caduque.

Abroche su recibo aquí. Para acceder al servicio técnico de acuerdo con la garantía deberá contar con la prueba de la fecha original de compra.

# Soporte para el Consumidor

---

## Sitio Web de GE Appliances

¿Desea realizar una consulta o necesita ayuda con su electrodoméstico? ¡Intente a través del Sitio Web de GE Appliances las 24 horas del día, cualquier día del año! Usted también puede comprar más electrodomésticos maravillosos de GE Appliances y aprovechar todos nuestros servicios de soporte a través de Internet, diseñados para su conveniencia. [GEAppliances.com](http://GEAppliances.com)

---

## Registre su Electrodoméstico

¡Registre su electrodoméstico nuevo a través de Internet, según su conveniencia! Un registro puntual de su producto permitirá una mejor comunicación y un servicio más puntual de acuerdo con los términos de su garantía, en caso de surgir la necesidad. También puede enviar una carta en la tarjeta de inscripción preimpresa que se incluye con el material embalado. [GEAppliances.com/register](http://GEAppliances.com/register)

---

## Servicio Programado

El servicio de reparación de expertos de GE Appliances está a sólo un paso de su puerta. Conéctese a través de Internet y programe su servicio a su conveniencia cualquier día del año.

[GEAppliances.com/service](http://GEAppliances.com/service)

o comuníquese al 800.432.2737 durante el horario de atención comercial.

---

## Garantías Extendidas

Adquiera una garantía extendida de GE Appliances y conozca los descuentos especiales que están disponibles mientras su garantía aún está vigente. La puede adquirir en cualquier momento a través de Internet. Los servicios de GE Appliances aún estarán allí cuando su garantía caduque.

[GEAppliances.com/extended-warranty](http://GEAppliances.com/extended-warranty)

o comuníquese al 800.626.2224 durante el horario de atención comercial.

---

## Conectividad Remota

Para solicitar asistencia para la conectividad de red inalámbrica (para modelos con acceso remoto), visite nuestro sitio web en [GEAppliances.com/connected-home-smart-appliances/](http://GEAppliances.com/connected-home-smart-appliances/) o comuníquese al 800.220.6899.

---

## Piezas y Accesorios

Aquellos individuos calificados para realizar el servicio técnico de sus propios electrodomésticos podrán solicitar el envío de piezas o accesorios directamente a sus hogares (se aceptan las tarjetas VISA, MasterCard y Discover). Ordene hoy a través de Internet durante las 24 horas, todos los días. [GEApplianceparts.com](http://GEApplianceparts.com) o de forma telefónica al 877.959.8688 durante el horario de atención comercial.

**Las instrucciones que figuran en este manual cubren los procedimientos que serán realizados por cualquier usuario. Otros servicios técnicos generalmente deben ser derivados a personal calificado del servicio. Se deberá tener cuidado, ya que una reparación indebida podrá hacer que el funcionamiento no sea seguro.**

---

## Contáctenos

Si no se encuentra satisfecho con el servicio que recibió de GE Appliances, comuníquese con nosotros a través de nuestro sitio Web con todos los detalles, incluyendo su número telefónico, o escriba a:

General Manager, Customer Relations | GE Appliances, Appliance Park | Louisville, KY 40225

[GEAppliances.com/contact](http://GEAppliances.com/contact)