



# Dishwashers

*Safety Instructions*..... 2-3

*Operating Instructions*

Care and Cleaning ..... 12-13

Getting Started..... 4-5

Loading and Place Settings..... 8-10

Loading the silverware baskets ..... 11

Using the Dishwasher .....6-7

*Troubleshooting Tips*..... 14-16

*Consumer Support*

Consumer Support..... 18

Warranty .....17

**Owner's Manual**

*Dishwashers*  
ADT521 Series  
GDF500-620 Series  
GDT535-635 Series

*Includes GE® and GE Artistry™ Series products*

## Lave-vaisselle

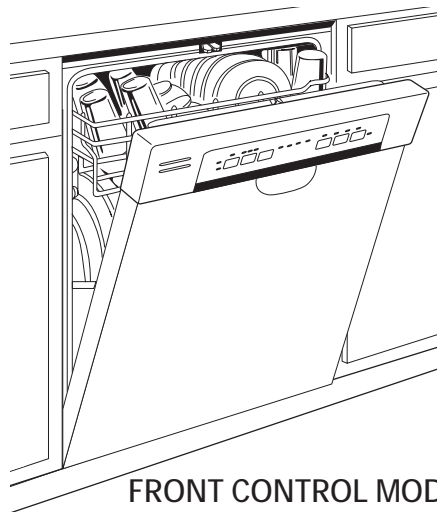
**Manuel d'utilisation**

La section française commence à la page 19

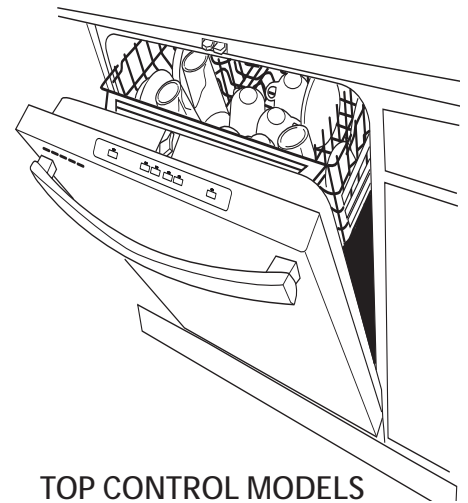
## Lavaplatos

**Manual del propietario**

La sección en español empieza en la página 39



FRONT CONTROL MODELS



TOP CONTROL MODELS

*Write the model and serial numbers here:*

*Model #* \_\_\_\_\_

*Serial #* \_\_\_\_\_

You can find them on the tub wall just inside the door.

# IMPORTANT SAFETY INFORMATION

## READ ALL INSTRUCTIONS BEFORE USING —

### SAVE THESE INSTRUCTIONS

**⚠ WARNING!** For your safety, the information in this manual must be followed to minimize the risk of fire, explosion, electric shock, and to prevent property damage, personal injury, or death.

## ⚠ WARNING! WATER HEATER SAFETY

Under certain conditions, hydrogen gas may be produced in a water heater that has not been used for two or more weeks. **HYDROGEN GAS IS EXPLOSIVE.**


If the hot water has not been used for two or more weeks, prevent the possibility of damage or injury by turning on all hot water faucets and allowing them to run for several minutes. Do this before using any electrical appliance connected to the hot water system. This simple procedure will allow any built-up hydrogen gas to escape. Since the gas is flammable, do not smoke, use an open flame, or use the appliance during this process.

## ⚠ WARNING! PROPER INSTALLATION AND MAINTENANCE

This dishwasher must be properly installed and located in accordance with the Installation Instructions before it is used. If you did not receive an Installation Instructions sheet with your dishwasher, you can receive one by visiting our Website at [GEAppliances.com](http://GEAppliances.com). In Canada, visit [www.GEAppliances.ca](http://www.GEAppliances.ca).

- Connect the dishwasher/appliance to a grounded metal, permanent wiring system; or run an equipment-grounding conductor with the circuit conductors and connect to the equipment-grounding terminal or lead of the appliance.
- Improper connection of the equipment-grounding conductor can result in a risk of electric shock. Check with a qualified electrician or service representative if you are in doubt whether the appliance is properly grounded.
- Dispose of discarded appliances and shipping or packing material properly.
- Do not attempt to repair or replace any part of your dishwasher unless it is specifically recommended in this manual. All other servicing should be referred to a qualified technician.
- Use only cord kit WX09X70910 or hard-wire to building electrical. Failure to follow this instruction, could result in risk of fire and personal injury.
- To minimize the possibility of electric shock, disconnect this appliance from the power supply before attempting any maintenance.  
**NOTE:** Turning the dishwasher off does not disconnect the appliance from the power supply. We recommend having a qualified technician service your appliance.

## ⚠ WARNING! When using your dishwasher, follow basic precautions, including the following:

- Use this appliance only for its intended purpose as described in this Owner's Manual.
- Use only detergents or wetting agents recommended for use in a dishwasher and keep them out of reach of children. Using a detergent that is not specifically designed for dishwashers will cause the dishwasher to fill with suds. 
- Locate sharp items so that they are not likely to damage the door seal.
- Load sharp knives with the handles up to reduce the risk of cut-type injuries.
- Do not wash plastic items unless marked dishwasher safe or the equivalent. For plastic items not so marked, check the manufacturer's recommendations.
- Do not touch the heating element during or immediately after use.
- Do not operate your dishwasher unless all enclosure panels are properly in place.
- Do not tamper with controls.
- Do not abuse, sit on or stand on the door or dish rack of the dishwasher.
- To reduce the risk of injury, do not allow children to play with, on or inside this appliance at any time.
- Do not store or use combustible materials including gasoline or other flammable liquids or vapors in the vicinity of this or any other appliance.
- Small parts, such as rack clips and filter retaining posts, can be a choke hazard to small children if removed from the dishwasher. Keep out of reach of small children.

# IMPORTANT SAFETY INFORMATION

## READ ALL INSTRUCTIONS BEFORE USING —

### SAVE THESE INSTRUCTIONS

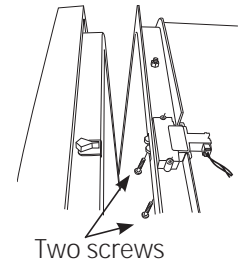
GEAppliances.com

## **⚠️ WARNING!** RISK OF CHILD ENTRAPMENT

### PROPER DISPOSAL OF THE DISHWASHER

Junked or abandoned dishwashers are dangerous...even if they will sit for "just a few days." If you are getting rid of your dishwasher, please follow the instructions below to help prevent accidents.

- Do not allow children to play with, on, or inside this or any discarded appliance.
- Take off the door of the washing compartment or remove the latch by removing the two screws from the latch receiver inside the tub (as shown).



## **⚠️ CAUTION:** To prevent minor injury and property damage

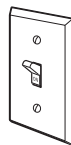
- During or after wash cycle, contents may be hot to the touch. Use care before handling.
- Close supervision is necessary if this appliance is used by or near children. Do not allow children to play around the dishwasher when closing the door, closing the upper rack, or while vertically adjusting the upper rack due to the possibility of small fingers being pinched.
- Non-Dishware Items: Do not wash items such as electronic air cleaner filters, furnace filters and paint brushes in your dishwasher. Damage to the dishwasher and discoloration or staining of the dishwasher may result.
- Load light-weight, plastic items so they do not become dislodged and drop to the bottom of the dishwasher—they might come into contact with the heating element and be damaged.

## **⚠️ CAUTION:** ELECTRICAL REQUIREMENTS

- This appliance must be supplied with 120V, 60 Hz, and connected to an individual, properly grounded branch circuit, protected by a 15 or 20 amp circuit breaker or time-delay fuse.
- If the electric supply provided does not meet the above specifications, it is recommended that a licensed electrician install an approved outlet.
- Your dishwasher circuit should not be used for any other appliance while the dishwasher is in operation as the dishwasher requires the full capacity of the circuit.

## **⚠️ NOTICE**

- If your dishwasher is connected to a wall switch, ensure that the switch is on prior to use.
- If you choose to turn the wall switch off between wash cycles, allow 5-10 seconds after turning the switch on before touching **Start** to allow the control to initialize.



- Use only powder, *Cascade® All-in-1 ActionPacs™*, liquid detergents or rinse agents recommended for use in a dishwasher and keep them out of the reach of children. *Cascade® All-in-1 ActionPacs™* Automatic Dishwashing Detergent, and *Cascade® Rinse Aid™* rinse agents have been approved for use in all GE dishwashers.

READ AND FOLLOW THIS SAFETY INFORMATION CAREFULLY.

SAVE THESE INSTRUCTIONS

# Getting started!

Features and appearance will vary throughout this manual

## 1 Load Dishwasher

For best dishwashing results, follow the rack loading guidelines found in the *Loading the dishwasher racks* section. No pre-rinsing of normal food soil is required. Scrape off hard soils, including bones, toothpicks, skins, and seeds. Remove leafy vegetables, meat trimmings, and excessive amounts of grease or oil. Remove acidic food soils that can discolor stainless steel.

## 2 Add Detergent

Add needed amount of detergent to the detergent dispenser. Use a detergent such as *Cascade Complete All-in-1 ActionPacs™*. See *Detergent Dispenser* in the *Using the dishwasher* section.

## 3 Add Rinse Agent

Add Rinse Agent to the rinse agent dispenser. See *Use a Rinse Agent such as Cascade® Rinse Aid™* in the *Using the dishwasher* section.

## 4 Select Cycle

Press the *Select Cycle* pad for the desired wash cycle. The light next to the *Select Cycle* pad will be on to indicate which wash cycle has been selected.

The cycle may be selected with the door in the open position. The cycle will not start until after the door is closed and *Start* selected. Cycle time will vary based on soil in loads and cycle selected. Other options may add time to your cycle

**AutoSense** (on some models) This cycle automatically senses the soil level and adjusts the wash cycle accordingly.

**Heavy** This cycle is meant for heavily soiled dishes, cookware, pots, or pans with dried-on or baked-on soils. Everyday dishes are safe to be used in this cycle.

**Normal** This cycle is meant for daily, regular, or typical use to completely wash a full load of normally soiled dishes and is designed to conserve both water and energy. **NOTE: Normal** was used to rate the energy efficiency of this dishwasher.

**Light** This cycle is for light to medium soiled dishes. It is safe for china and crystal but because of its lower final rinse temperature, will provide limited dry performance.

**Rinse** (on some models) For rinsing partial loads that will be washed later. Do not use detergent. Detergent is not dispensed during the rinse cycle.

## 5 Select Options

The light by the selected pad will be **ON** to indicate which Option has been selected.

**Bottle Jets** (on some models) This option increases the time that the bottle jets are on and may add up to 23 minutes to the cycle time. Use this to wash difficult to clean, dishwasher safe baby bottles, sport bottles, tall coffee cups, etc. See use recommendations in the *Loading the dishwasher* section.

**Wash Temp Boost** (on some models) This option increases the temperature to help clean heavily soiled dishes and may increase the overall cycle time. Option may be turned **On** or **Off** during the wash cycle. Wash Temp also increases the final rinse temperature which can improve dry performance.

**Wash Temp Sani** (on some models) This option raises the water temperature in the final rinse to sanitize your dishware and improve dry performance. The cycle length will vary depending on the temperature of your inlet water. **NOTE:** This option is monitored for sanitization requirements. If the cycle is interrupted during or after the main wash portion or if the incoming water temperature is so low that adequate water heating cannot be achieved, the sanitizing conditions may not be met. In these cases, the Sanitized light will not illuminate at the end of the cycle. Utilizing this option will modify the cycle to meet the requirements of Section 6, NSF 184 for soil removal and sanitization efficacy. **NOTE:** NSF certified residential dishwashers are not intended for licensed food establishments.

**Heated Dry Off** Shuts off the heat drying option. Dishes air dry naturally and energy is saved. Open the dishwasher door to speed drying.

**Heated Dry On** Turns on the heater for faster drying. This cycle may extend the time to your wash cycle up to 64 minutes. This option is not available with the *Rinse* cycle.

## 5 Select Options (Continued)

**Steam (Prewash)** (on some models) For use with heavily soiled and/or dried-on, baked-on soils. This option **MUST** be selected **PRIOR** to starting the cycle. The **Steam** option adds approximately 30 minutes to the cycle time. This option is available with **Heavy**, **AutoSense**, and **Normal** cycles.

**Wash Zones** (on some models) Selecting either the Upper or Lower **Wash Zones** will target dishwashing of just one rack. This will shorten the cycle time and conserve energy. This option can be used when there is only half a load of dishes.

**Delay Hours** (on some models) Delays the start of a wash cycle up to 12 hours, depending on model. Press **Delay Hours**, to select the number of hours, then press **Start** one time to begin countdown. The cycle will start once allotted time has expired.

**Control Lock** You can lock the controls to prevent selections from being made. You can also lock the controls after you have started a cycle to prevent cycle changes. For example, children cannot accidentally start the dishwasher by pressing pads with this option selected.

**To LOCK the dishwasher control**, depending on the model, press and hold the **Heated Dry** pad for 3 seconds or press and hold the **Steam** and **Wash Temp** pads at the same time for 3 seconds. The Control Lock light will turn on to indicate the control is locked.

**To UNLOCK the dishwasher control**, depending on the model, press and hold the **Heated Dry** pad for 3 second or press and hold the **Steam** and **Wash Temp** pads at the same time for 3 seconds. The Control Lock light will turn off to indicate the control is unlocked.

## 6 Start Dishwasher

**Start** Door can be open to select the desired options. Press the **Start** pad and close the door within 10 seconds to start the cycle or begin the **Delay Hours** countdown. The wash cycle will begin shortly after closing the door. If the door is open, the illuminated lights will turn off if a pad is not pressed within two minutes. To activate the display, close and open the door or press any pad.

**Interrupt or Pause** To interrupt or pause a dish cycle, slowly open the door. Opening the door will cause the wash cycle to pause. The dishwasher will beep every minute to remind you to close the door. To restart or resume the cycle, press **Start**, and close the door.

**Cancel** To cancel a wash cycle, press and hold the **Start** pad for 3 seconds and close door. The dishwasher will drain, emit a beep sound, and the wash cycle light will turn OFF.

## 7 Cycle Completion

**Sanitized** Displayed at the end of the cycle when **Wash Temp Sani (Sanitize)** has been selected and the dishwasher has met the requirements for sanitization. See **Wash Temp Sani**, for complete option description. Opening the door or pressing any key while the door is closed will turn off the light.

**Clean** Displayed when a wash cycle is complete. The light stays **ON** as a reminder that the dishes are clean. Opening the door or pressing any key while the door is closed will turn the light off.

**Door Wake Up Mode** (on some models) To turn this option **ON/OFF**, press and hold the **START** and **WASH TEMP** pads for 5 seconds, close the door and wait 3 minutes for the dishwasher to go into sleep mode. In the **OFF** mode, the control display, control sounds, and interior lights will not respond to the door opening/closing. This mode can be used when observing certain religious holidays such as the Sabbath. To activate the control and interior lights, press any pad.

## Using the dishwasher.



### Check the Water Temperature

The entering water should be at least 120°F (49°C) and not more than 150°F (66°C) for effective cleaning and to prevent dish damage. Check the water temperature with a candy or meat thermometer. Turn on the hot water faucet

nearest the dishwasher, place the thermometer in a glass and let the water run continuously into the glass until the temperature stops rising.



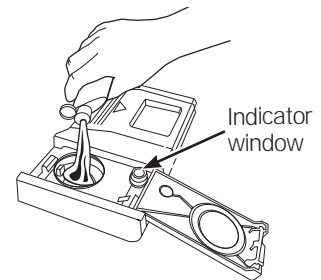
### Use a Rinse Agent such as Cascade® Rinse Aid™

Rinse agents, such as *Cascade® Rinse Aid™* are designed for great drying action and protect against spots and film build-up on your dishes, glasses, flatware, cookware, and plastic.

#### Filling the Dispenser

The rinse agent dispenser holds 3.5 oz. (100 ml) of rinse agent. Under normal conditions, this will last approximately one month.

- 1 Make sure the dishwasher door is fully open.
- 2 Open the RINSE AID dispenser door.
- 3 Slowly add rinse agent until the fill cup is full. May need to pause several times to allow rinse aid to settle.
- 4 Clean up any spilled rinse agent with a damp cloth.
- 5 Close the RINSE AID dispenser door.

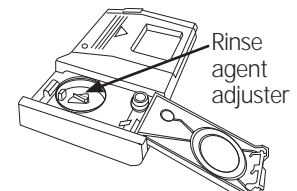


#### Rinse Aid Setting

The amount of rinse agent released into the final wash can be adjusted. The factory setting is at the midpoint. If hard water spots appear on dishes, try a higher setting. If you see foam in the dishwasher, move the indicator to a lower setting.

#### To adjust the setting

Open the RINSE AID dispenser door; then turn the adjuster clockwise to increase the amount of rinse agent, counterclockwise to reduce the amount of rinse agent.



Clockwise to reduce water drops and hard water spots



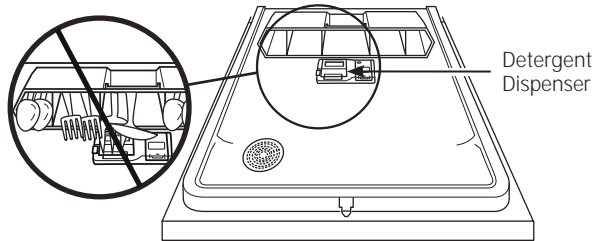
Counterclockwise to reduce foaming



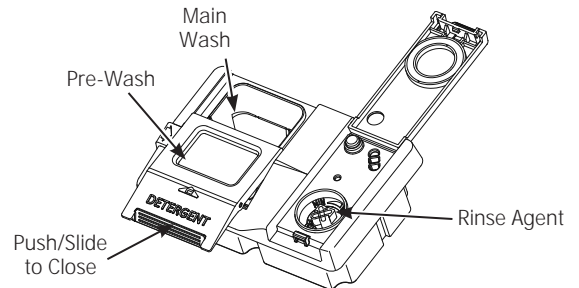
## Detergent Dispenser

The detergent dispenser is located in the center of the dishwasher door. It has two compartments. The main wash compartment is found inside the detergent dispenser. To open, press the blue button on the side of the dispenser. The pre-wash compartment is on the lid of the detergent dispenser. Use the pre-wash compartment only when your water is extremely hard or when you have a heavy soiled load.

**NOTE:** Do not block detergent dispenser with large or tall utensils.



Number of Grains/Gal.	Detergent Cups to Fill
Less than 4	Fill cup to 1/3 full
4 to 8	Fill cup to 2/3 full
8 to 12	Fill cup completely full
Greater than 12	Fill both main wash cup and pre wash cup



You may use tablet, powder, liquid or gel automatic dishwasher detergent. Make sure you use only detergents specifically labeled for use in automatic dishwashers. Never use liquid hand dish detergent in an automatic dishwasher. Sudsing and poor wash performance will result with the use of improper detergents.

Detergents should be stored in a dry location and in their original container to prevent loss of effectiveness. Place detergent in the cup just prior to starting the dishwasher and then close the cover. The cover will open during the wash cycle.

### Filling the Detergent Dispenser

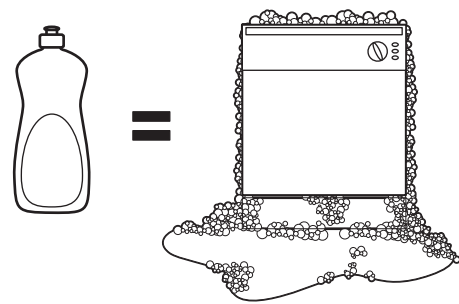
GE recommends using detergent in tablet or packet form. Independent testing has shown this form of detergent is very effective in the dishwasher. *Cascade® Platinum Pacs* are an example of this type of detergent. Simply put a tablet or packet into the main wash compartment and slide to close the detergent cup cover. Please notice that the tablet or packet must be placed in the main wash compartment of the detergent cup. If the tablet or packet is tossed in the bottom of the dishwasher, the detergent will be flushed down the drain in a very short period of time and will thus be wasted. Wash performance will be very poor as a result.

If you choose to use detergent in powder, liquid or gel form, the amount of detergent you use will be determined by the hardness of your water, the temperature of your water, and the food soil load inside the dishwasher. Contact your water company to get information about the hardness of the water in your area. Water hardness is measured in grains per gallon. Use this information and the table above to determine the amount of detergent to use. You may purchase a hard water test strip from GE. Call 1-877-959-8688 and ask for part number **WD01X10295**. In Canada, call 1-800-661-1616

Using too much detergent with very soft and/or very hot water may cause a condition called etching on your glassware. Etching is a permanent cloudiness in your glassware. This condition is irreversible. However, using too little detergent will cause poor wash performance.

Use the table as a starting point and then adjust the amount of detergent you use. Use just enough to get good wash performance. Using just the right amount of detergent will provide great wash performance without wasting detergent or etching of glassware.

### DO NOT USE HAND DISH DETERGENT



**NOTE:** Using a detergent that is not specifically designed for dishwashers will cause the dishwasher to fill with suds. During operation, these suds will spill out of the dishwasher vents, covering the kitchen floor and making the floor wet.

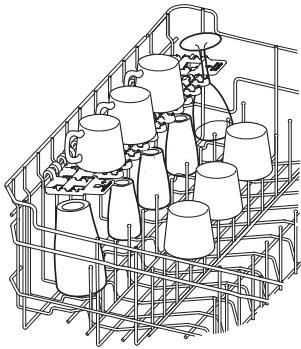
Because so many detergent containers look alike, store the dishwasher detergent in a separate space from all other cleaners. Show anyone who may use the dishwasher the correct detergent and where it is stored.

While there will be no lasting damage to the dishwasher, your dishes will not get clean using a dishwashing detergent that is not formulated to work with automatic dishwashers.

# Loading and place settings.

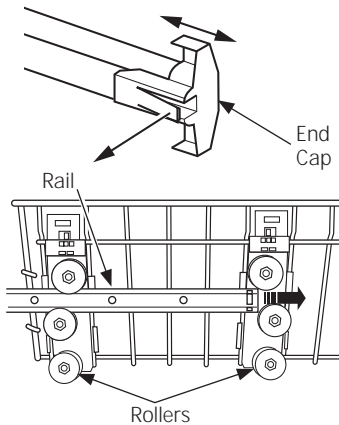
For best dishwashing results, follow these loading guidelines. Features and appearance of racks and silverware baskets may vary from your model.

## Upper Rack

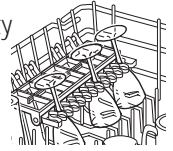


The upper rack is primarily for glasses, cups, and saucers. However, other items such as pots, pans, and plates may be placed in the upper rack. This is also a secure place for dishwasher-safe plastic items. The upper rack can be used for odd sized utensils. Sauce pans, mixing bowls, and other similarly shaped items should be placed face down for best wash performance. Ensure small plastic items are secure so that they cannot fall into the heater at the bottom of the dishwasher, potentially damaging the item.

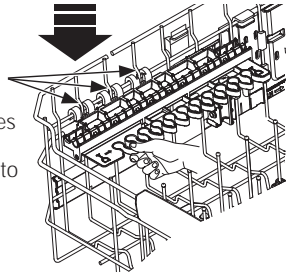
On some models, the upper rack may be adjusted to accommodate larger items. To adjust the upper rack, fully extend the upper rack and remove the two plastic end caps on the front of the rails. Remove the upper rack. Select the set of rollers on the side of the rack that provides the desired height, and reinstall the upper rack by guiding the rack rails between the appropriate set of rollers. With the rack reinstalled, replace the two plastic end caps, ensuring the snap is properly engaged. Failure to properly engage the end caps may result in the rack falling from the dishwasher.



To add flexibility in loading, the utility shelf (on some models) may be placed in the up or down position. The shelf may also be used to secure stemware such as wine glasses. Because these stemware items come in various sizes, slowly push the rack in to ensure the items do not bump into the edges of the dishwasher, which may cause damage to the items.

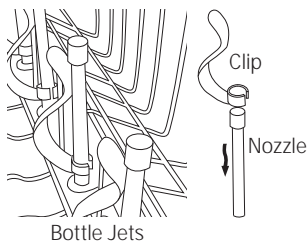
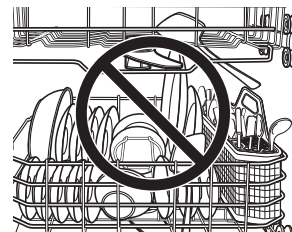


Place the slots in the utility shelf clips over the vertical rack wires and push down to attach utility shelf onto second wire of rack

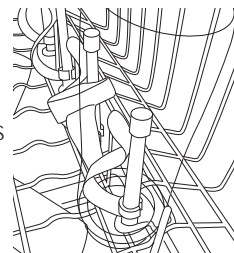


It is important to ensure that items do not protrude through the bottom of the rack or silverware basket (on some models) where they will block the rotation of the middle spray arm. This could result in noise during operation and/or poor wash performance.

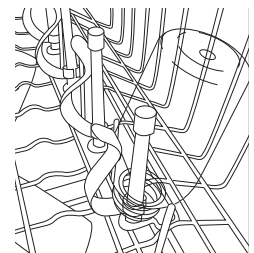
**Check to make sure that no items will block rotation of the wash arms.**



The **Bottle Jets** system (on some models) is the ideal location to position tall cups, sports bottles, and baby bottles. The **Bottle Jets** clips hold bottles with small openings in place so water jets are directed inside to clean hard to reach areas. Clips can be installed or removed by simply slipping the clip opening over the top of the nozzle.



Sports bottle held in place over a Bottle Jets clip



Baby bottle held in place under a Bottle Jets clip



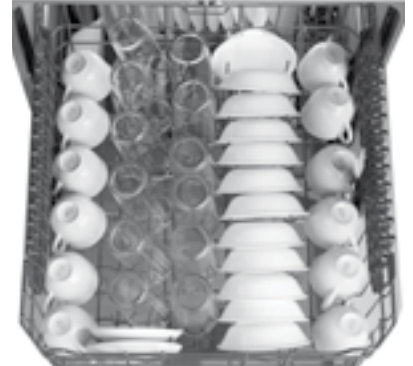
*Upper Rack - 8 Place Settings  
GDF510-610, GDT535-545, GDT625  
& ADT521*



*Upper Rack - 10 Place Settings  
GDF510-610, GDT535-545, GDT625  
& ADT521*



*Upper Rack - 12 Place Settings  
GDF510-610, GDT535-545, GDT625  
& ADT521*



*Upper Rack - 8 Place Settings  
GDF620, GDT635*



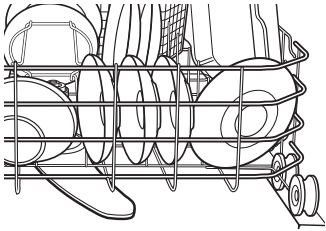
*Upper Rack - 10 Place Settings  
GDF620, GDT635*



*Upper Rack - 12 Place Settings  
GDF620, GDT635*



# Loading and place settings (cont.).



## Lower Rack

The lower rack is best used for plates, saucers and cookware items. Large items, such as broiler pans and baking racks should go along the sides of the rack. If necessary, oversized glasses and mugs can be placed in the lower rack to maximize loading flexibility. Plates, saucers and similar items should be placed between the tines in the direction that allows the item to remain secure in the rack.

It is important to ensure that items do not protrude through the bottom of the rack or the silverware basket where they will block the rotation of the lower spray arm. This could result in noise during operation and/or poor wash performance.

**Lower Rack - 8 Place Settings**  
GDF510 & GDT535



**Lower Rack - 10 Place Settings**  
GDF510 & GDT535



**Lower Rack - 12 Place Settings**  
GDF510 & GDT535



**Lower Rack - 8 Place Settings**  
GDF520, GDF610, ADT521, GDT545  
& GDT625



**Lower Rack - 10 Place Settings**  
GDF520, GDF610, ADT521, GDT545  
& GDT625



**Lower Rack - 12 Place Settings**  
GDF520, GDF610, ADT521, GDT545  
& GDT625



**Lower Rack - 8 Place Settings**  
GDF620, GDT635



**Lower Rack - 10 Place Settings**  
GDF620, GDT635

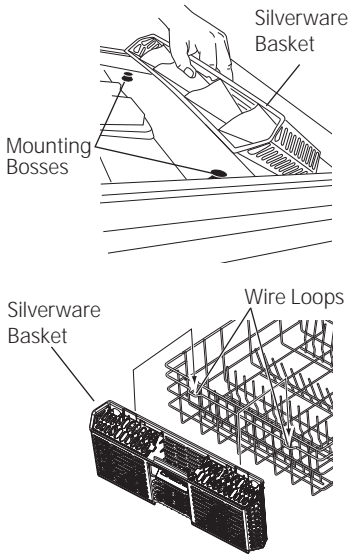


**Lower Rack - 12 Place Settings**  
GDF620, GDT635



# Loading the silverware baskets...

For best dishwashing results, follow these loading guidelines. Features and appearance of racks and silverware baskets may vary from your model.



## Silverware Basket

Place flatware in the removable silverware and accessory baskets (on some models). Sharp objects, such as forks and knives, may be placed with the handles facing up, in order to protect your hands. For the best wash performance, place other items such as spoons with the handles facing down. Avoid allowing items to nest together, which may keep them from being properly washed. When loading, distribute items evenly in the basket.

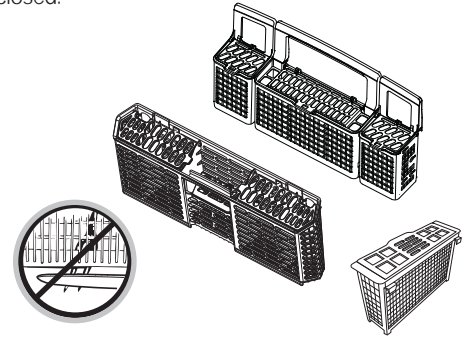
The silverware and accessory baskets (on some models) may also be used for small items, such as measuring spoons, baby bottle nipples, plastic lids, or corn cob holders. The silverware basket covers (on some models) can be closed to contain small items.

The door mounted silverware basket (on some models) may be positioned either on the door by securing the basket to the door using the two mounting bosses, or to the rack by securing the basket to the rack using the wire loop on the front of the lower rack to engage the tabs on the rear of the basket.

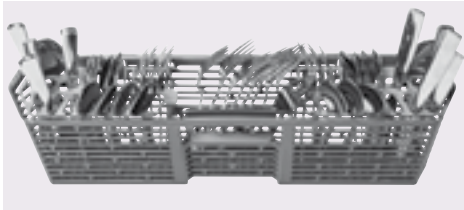
The accessory basket (on some models) may be positioned by placing the hooks on the back of the basket over the top wire on the sides of the lower rack.

Secure the basket to the rack using the wire loop on the front of the upper and lower racks to engage the tabs on the rear of the basket.

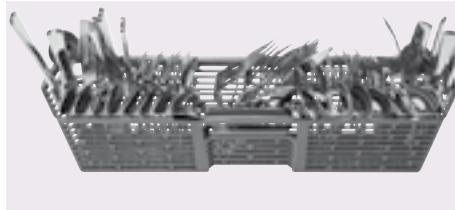
Do not load large or tall utensils where they may block the detergent dispenser or become trapped between the door and the gasket when the door is closed.



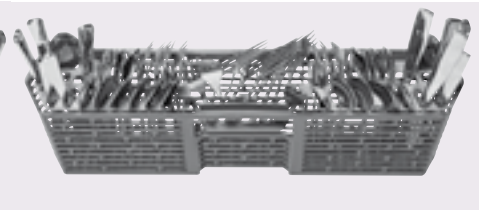
*Silverware Basket - 8 Place Settings  
GDF510 & GDT535*



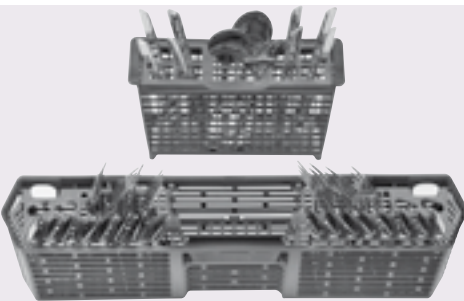
*Silverware Basket - 10 Place Settings  
GDF510 & GDT535*



*Silverware Basket - 12 Place Settings  
GDF510 & GDT535*



*Silverware Basket - 8 Place Settings  
GDF520, GDF610, GDT545, GDT625 & ADT521*



*Silverware Basket - 10 Place Settings  
GDF520, GDF610, GDT545, GDT625 & ADT521*



*Silverware Basket - 12 Place Settings  
GDF520, GDF610, GDT545, GDT625 & ADT521*



*Silverware Basket - 8 Place Settings  
GDT635*



*Silverware Basket - 10 Place Settings  
GDT635*



*Silverware Basket - 12 Place Settings  
GDT635*



## Care and cleaning.

---

### ***Cleaning the Exterior Door Panel***

Before cleaning the front panel, make sure you know what type of panel you have. Refer to the last two letters of your model number. You can locate your model number on the left-hand tub wall just inside the door. If your model number ends with BB, CC, WW, SA or ES then you have a painted door panel. If your model number ends with SS, then you have a Stainless Steel door panel. If your model number ends with II, then you have an Integrated door panel.

Follow the instructions below for cleaning the door panel for your specific model.

***Painted Door Panel*** (model numbers ending in BB–black, CC–bisque, WW–white, SA–silver or ES–slate)

Use a clean, soft, lightly dampened cloth, then dry thoroughly. You may also use a good appliance wax or polish.

*Do not use scouring pads or powered cleaners because these products can scratch the finish.*

***Stainless Steel Door Panel*** (model numbers ending in SS)

***For cleaning rust and tarnish***, cleaners with oxalic acid such as Bar Keepers Friend Soft Cleanser™ will remove rust, tarnish and small blemishes. Use only a liquid cleanser free of grit and rub in the direction of the brush lines with a damp soft sponge. Do not use appliance wax or polish on the stainless steel.

***For other blemishes and marks***, use Stainless Steel Magic or a similar product using a clean soft cloth. Do not use appliance wax, polish, bleach or products containing chlorine on Stainless Steel. You can order Stainless Steel Magic™ # WX10X29 through GE Parts by calling 877.959.8688. In Canada, call 1-800-661-1616.

***Integrated Door Panel*** (model numbers ending in II)

This is a custom installed door panel, and you will need to refer to the cabinet manufacturers recommendations for proper cleaning.

---

### ***Cleaning the Control Panel***

To clean the control panel, use a lightly dampened cloth. Then dry thoroughly.

---

### ***Cleaning the Dishwasher Interior***

To clean and de-odorize your dishwasher, use citric acid or Lemi Shine®\*, a detergent additive. Lemi Shine will break up mineral deposits, and remove hard water film and stains. You can order citric acid #WD35X151 through GE Parts by calling 877-959-8688 or visiting [GEApplianceparts.com](http://GEApplianceparts.com). In Canada, call 1-800-661-1616. You can purchase Lemi Shine at your local grocery store or by calling GE at the numbers above and ask for WX10X10019.

---

### ***Stainless Steel Inner Door***

The stainless steel used to make the dishwasher inner door provides the highest reliability available in a GE dishwasher.

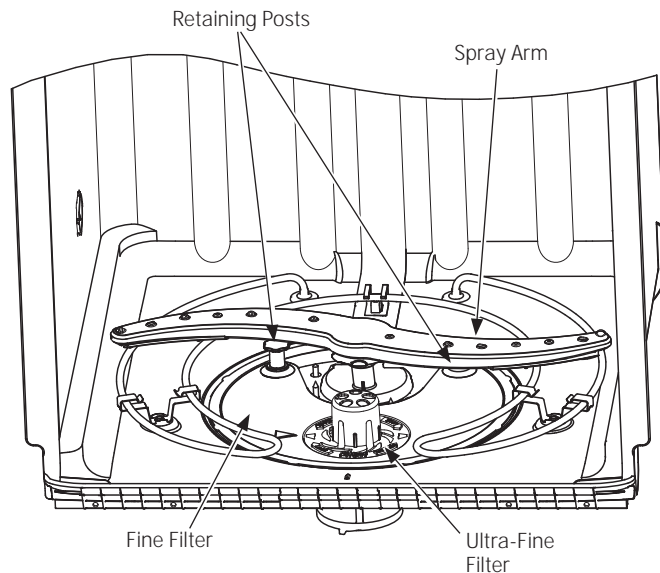
If the dishwasher inner door should be scratched or dented during normal use, it will not rust or corrode. These surface blemishes will not affect its function or durability.

## Cleaning the Filters

Inspect and clean the filters periodically. This should be done every other month or so depending on usage. If there is a decrease in wash performance or dishes feel gritty, this is also an indication the filters need to be cleaned.

### Ultra-Fine Filter

To clean the Ultra-Fine Filter, remove the bottom rack. Twist counterclockwise and remove the Ultra-Fine Filter. Rinse filter with warm soapy water and use a sponge to carefully remove any stubborn particles. Scrubbing with scouring pads or brushes can damage the filter. Once cleaned, replace the Ultra-Fine Filter, and twist clockwise to lock in place.



### Fine Filter

To clean the Fine Filter (mesh plate), remove the bottom rack. Remove the Ultra-Fine Filter.

Twist counterclockwise each of the two retaining posts located toward the back bottom of the tub, and remove the Fine Filter. Rinse filter with warm soapy water. Scouring pads or brushes can scratch the filter surface but a soft brush or sponge may be needed to remove stubborn soils or calcium deposits caused by hard water. Once cleaned, replace the Fine Filter, the Ultra-Fine Filter, and twist clockwise the two retaining posts into place.

**⚠ WARNING!** The retaining posts can be a choke hazard for small children if removed from the dishwasher. Keep out of reach of children.

## Protect Against Freezing

If your dishwasher is left in an unheated place during the winter, ask a service technician to:

- 1 Turn off electrical power to the dishwasher. Remove fuses or trip circuit breaker.
- 2 Turn off the water supply and disconnect the water inlet line from the water valve.
- 3 Drain water from the water inlet line and water valve. (Use a pan to catch the water.)
- 4 Reconnect the water inlet line to the water valve.

### Air gap



Check the air gap any time your dishwasher isn't draining well.

## Does Your Dishwasher Have an Air Gap?

An air gap protects your dishwasher against water backing up into it if a drain clogs. The air gap is not a part of the dishwasher. It is not covered by your warranty. Not all plumbing codes require air gaps, so you may not have one.

### The air gap is easy to clean.

- 1 Turn off the dishwasher and lift off the air gap cover.
- 2 Remove the plastic cap under the cover and clean with a toothpick.
- 3 Replace the cap and cover when the air gap is clean.

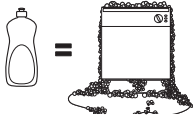
## Before you call for service...



### Troubleshooting Tips

Save time and money! Review the charts on the following pages, or visit [GEAppliances.com](http://GEAppliances.com). In Canada visit [www.GEAppliances.ca](http://www.GEAppliances.ca). You may not need to call for service.

<i>Problem</i>	<i>Possible Causes</i>	<i>What To Do</i>
<i>Start Status indicator light flashing</i>	The door was opened or the cycle was interrupted.	<ul style="list-style-type: none"> <li>Press the <b>Start</b> pad once to start the dishwasher. Press the <b>Start</b> pad a second time when the dishwasher is running only if you wish to cancel the cycle.</li> </ul>
<i>Dishwasher BEEPS once every minute (on some models)</i>	This is a reminder that your dishwasher door has been left open during operation. It will continue beeping until you press <b>Start</b> and close the door.	<ul style="list-style-type: none"> <li>Press <b>Start</b> and close the door.</li> </ul>
<i>Beeping at the end of the cycle (on some models)</i>	This is normal. The dishwasher will beep twice at the end of the cycle.	<ul style="list-style-type: none"> <li>To turn off the double beep indicator (or re-activate it if it was previously turned off), press the <b>Heated Dry</b> pad 5 times within 3 seconds. A triple beep will sound to indicate the end-of-cycle beep option has been turned on or off.</li> </ul>
<i>Dishes and flatware not clean</i>	Ultra fine or fine filter is clogged	<ul style="list-style-type: none"> <li>See the <i>Care and cleaning</i> section.</li> </ul>
	Low inlet water temperature	<ul style="list-style-type: none"> <li>Make sure inlet water temperature is correct (see the <i>Using the dishwasher</i> section). Turn on the hot water faucet nearest the dishwasher, let run until the water temperature stops rising. Then start the dishwasher and turn off the faucet. This ensures the entering water is hot. Select <b>Wash Temp Boost</b> if available.</li> </ul>
	Water pressure is temporarily low	<ul style="list-style-type: none"> <li>Turn on a faucet. Is water coming out more slowly than usual? If so, wait until pressure is normal before using your dishwasher.</li> </ul>
	Air gap or disposer is clogged	<ul style="list-style-type: none"> <li>Clean the air gap or flush the disposer.</li> </ul>
	Improper rack loading	<ul style="list-style-type: none"> <li>Make sure large dishware does not block the detergent dispenser or the wash arms. See the <i>Loading the dishwasher racks</i> section.</li> <li>When large utensils are placed in the silverware basket, do not mount the basket on the door (on some models). Instead, mount basket on the lower rack.</li> </ul>
<i>Spots and filming on glasses and flatware</i>	Poor performing detergent	<ul style="list-style-type: none"> <li>Use a highly rated detergent such as <b>Cascade Complete® All-in-1 ActionPacs™</b>.</li> </ul>
	Extremely hard water	<ul style="list-style-type: none"> <li>Use rinse agents such as <b>Cascade® Rinse Aid™</b> to remove spots and prevent new film buildup.</li> <li>If water is extremely hard, a softener may be required.</li> </ul>
	Low inlet water temperature	<ul style="list-style-type: none"> <li>Make sure water temperature is at least 120°F.</li> </ul>
	Overloading or improper loading of the dishwasher	<ul style="list-style-type: none"> <li>Load dishwasher as shown in the <i>Loading Place Settings</i> section.</li> </ul>
	Old or damp powder detergent	<ul style="list-style-type: none"> <li>Make sure detergent is fresh.</li> </ul>
	Rinse agent dispenser empty	<ul style="list-style-type: none"> <li>Refill with rinse agent such as <b>Cascade® Rinse Aid™</b>.</li> </ul>
	Too little or low performing detergent	<ul style="list-style-type: none"> <li>Make sure you use the proper amount of highly rated detergent.</li> </ul>

<i>Problem</i>	<i>Possible Causes</i>	<i>What To Do</i>
<i>Cloudiness on glassware</i>	Combination of soft water and too much detergent	<ul style="list-style-type: none"> <li>This is called etching and is permanent. To prevent this from happening, use less detergent if you have soft water. Wash glassware in the shortest cycle that will get it clean.</li> </ul>
	Low performing phosphate free detergent	<ul style="list-style-type: none"> <li>See <i>A white film on glassware, dishware and the interior</i> in this <i>Troubleshooting</i> section.</li> </ul>
	Water temperature entering the dishwasher exceeds 150°F (66°C)	<ul style="list-style-type: none"> <li>This could be etching. Lower the water heater temperature.</li> </ul>
<i>Suds in the tub</i>	Correct detergent wasn't used	<ul style="list-style-type: none"> <li>Use only automatic dishwasher detergents to avoid sudsing. <i>Cascade</i>® Automatic Dishwashing Detergents have been approved for use in all GE dishwashers.</li> <li>To remove suds from the tub, open the dishwasher and let suds dissipate. Pump out water by pressing <i>Start</i> and close the door. Wait 30 seconds. Open the door, press and hold <i>Start</i> for 3 seconds, and close the door. Repeat if necessary.</li> </ul>
	 Rinse agent was spilled	<ul style="list-style-type: none"> <li>Always wipe up rinse agent spills immediately.</li> </ul>
<i>Detergent left in dispenser cups</i>	Dishes or utensils are blocking the detergent cup	<ul style="list-style-type: none"> <li>Reposition the dishes, so the water from the lower spray arm can flush the detergent cup. See the <i>Loading the dishwasher racks</i> section.</li> <li>Reposition the tall utensils or heavy silverware that may be keeping the dispenser cup door from opening. See the <i>Loading the silverware basket</i> section.</li> </ul>
<i>Black or gray marks on dishes</i>	Aluminum utensils have rubbed against dishes	<ul style="list-style-type: none"> <li>Remove marks with a mild, abrasive cleaner.</li> </ul>
<i>Dishes don't dry</i>	Low inlet water temperature	<ul style="list-style-type: none"> <li>Make sure inlet water temperature is at least 120°F.</li> <li>Select <i>Heated Dry</i>.</li> <li>Use <i>Wash Temp Boost</i> option.</li> <li>Select a higher cycle, such as <i>Wash Temp Sani (Sanitize)</i> or <i>Heavy</i>.</li> </ul>
	Rinse agent dispenser is empty	<ul style="list-style-type: none"> <li>Check the rinse agent dispenser and fill as required.</li> </ul>
	Cycle selection	<ul style="list-style-type: none"> <li>If using Light Cycle which uses lower water temperature and thus limited dry performance, switch to a different cycle.</li> </ul>
	Cycle completion	<ul style="list-style-type: none"> <li>Allow cycles to fully complete. See <i>Long Cycle Times</i> in this <i>Troubleshooting</i> section</li> </ul>
	<i>Control panel responded to inputs but dishwasher never filled with water</i>	Door may not be completely closed
<i>Stained tub interior</i>	Water valve may be turned off	<ul style="list-style-type: none"> <li>Make sure water valve (usually located under the sink) is turned on.</li> </ul>
	Some tomato-based foods can cause reddish stains	<ul style="list-style-type: none"> <li>Use of the <i>Steam</i> cycle (on some models) after adding the dish to the load can decrease the level of staining.</li> </ul>
	Tea or coffee stains	<ul style="list-style-type: none"> <li>Remove the stain by hand, using a solution of 1/2 cup bleach and 3 cups warm water. <b>NOTE: Do not use bleach on stainless steel tub or inner door.</b></li> </ul> <p><b>⚠ CAUTION!</b> Before cleaning interior, wait at least 20 minutes after a cycle for the heating elements to cool down. Failure to do so can result in burns.</p>
<i>An overall yellow or brown film can be caused by iron deposits in water</i>	White film on inside surface—hard water minerals	<ul style="list-style-type: none"> <li>A special filter in the water supply line is the only way to correct this problem. Contact a water softener company.</li> <li>GE recommends <i>Cascade</i>® <i>Rinse Aid</i>™ to help prevent hard water mineral deposits from forming.</li> <li>Run dishwasher with citric acid to remove mineral deposits. Citric acid (Part number: WD35X151) can be ordered through GE Parts. See back cover for ordering information.</li> </ul>
	<i>Dishwasher won't run</i>	Fuse is blown or circuit breaker is tripped
	Power is turned off	<ul style="list-style-type: none"> <li>In some installations, the power to the dishwasher is provided through a wall switch, often located next to the disposer switch. Make sure it is on.</li> </ul>
	Control panel is locked	<ul style="list-style-type: none"> <li>Unlock control panel. See the <i>Getting started</i> section.</li> </ul>

## Before you call for service...

<i>Problem</i>	<i>Possible Causes</i>	<i>What To Do</i>
<i>Control panel lights go off when you're setting controls</i>	Time too long between touching of selected pads	<ul style="list-style-type: none"> <li>Each pad must be touched within 30 seconds of the others. To relight, touch any pad again or open the door and unlock (top control).</li> </ul>
<i>Water standing in the bottom of the tub</i>	Air gap is clogged	<ul style="list-style-type: none"> <li>Clean the air gap. See the <i>Care and cleaning</i> section.</li> </ul>
<i>Water won't pump out of the tub</i>	Drain is clogged	<ul style="list-style-type: none"> <li>If you have an air gap, clean it. See the <i>Care and cleaning</i> section.</li> <li>If the dishwasher drains into a disposer, run disposer clear.</li> <li>Check to see if your kitchen sink is draining well. If not, you may need a plumber.</li> </ul>
<i>Steam</i>	This is normal	<ul style="list-style-type: none"> <li>Warm, moist air comes through the vent during drying and when water is being pumped out. This is necessary for drying.</li> </ul>
<i>Sanitized light does not illuminate at the end of the cycle</i>	The door was opened and the cycle was interrupted during final rinse	<ul style="list-style-type: none"> <li>Do not interrupt the cycle by opening the door during the wash cycle.</li> </ul>
	The incoming water temperature was too low	<ul style="list-style-type: none"> <li>Raise the water heater temperature to between 120°F and 150°F.</li> </ul>
<i>Noise</i>	Normal operating sounds: Detergent cup opening Water entering dishwasher The motor stops and starts at various times during the cycle Spray arms start and stop at various times Drain pump sounds during pump out Drain pump starts and stops several times during each drain	<ul style="list-style-type: none"> <li>These are all normal. No action is required.</li> </ul>
	Rattling dishes when the spray arm rotates	<ul style="list-style-type: none"> <li>Make sure dishes are properly loaded. See the <i>Loading the dishwasher racks</i> section. Ensure dishes do not extend below rack, so they do not contact the spray arm as it rotates.</li> </ul>
	Rattling silverware against door during wash	<ul style="list-style-type: none"> <li>Tall utensils may be placed in the upper rack to avoid bumping against inner door during wash cycle.</li> </ul>
<i>A white film on glassware, dishware and the interior</i>	This problem caused by phosphate-free dishwasher detergent	<ul style="list-style-type: none"> <li>To remove the white film, run your dishes through a dishwasher cycle with citric acid. Use a WD35X151 citric acid kit found online. Pour the citric acid in the detergent cup and close the cover. Place the filmed but otherwise clean glassware and dishware in the dishwasher. Leave silverware and other metal items out of the dishwasher. Turn the dishwasher on and let it run through a complete cycle without detergent. The glassware, dishware, and dishwasher should come out film free. Alternatively, a vinegar rinse may be used. Pour 1 cup of vinegar into dishwasher just after the detergent cup opens and let the dishwasher complete its cycle. This may be repeated several times a year as needed. The use of a rinse agent such as <i>Cascade® Rinse Aid™</i> may help minimize a repeat build up of film. Also, the use of a highly rated detergent such as <i>Cascade Complete® All-in-1 ActionPacs™</i> will help prevent film build-up.</li> </ul>
<i>Long cycle times</i>	Dishwasher washes by alternating mid and lower spray arms	<ul style="list-style-type: none"> <li>Longer cycles are normal. For best wash and dry performance, let cycle complete.</li> </ul>
	Soil level	<ul style="list-style-type: none"> <li>The turbidity sensor senses how much soil is on the dishes. Heavy soiled dish loads will add more time to the cycle. This is normal function. For best wash and dry performance, allow cycle to complete.</li> </ul>



# Dishwasher Warranty.



All warranty service provided by our Factory Service Centers, or an authorized Customer Care® technician. To schedule service, visit us on-line at [GEAppliances.com](http://GEAppliances.com), or call 800.GE.CARES (800.432.2737) in the United States. In Canada, call 1.800.561.3344. Please have serial number and model number available when calling for service.

Staple your receipt here.  
Proof of the original purchase date is needed to obtain service under the warranty.

Servicing your appliance may require the use of the onboard data port for diagnostics. This gives a GE Factory Service technician the ability to quickly diagnose any issues with your appliance and helps GE improve its products by providing GE with information on your appliance. If you do not want your appliance data to be sent to GE, please advise your technician NOT to submit the data to GE at the time of service.

## For The Period Of: GE Will Replace:

<b>One Year</b> From the date of the original purchase	<b>Any part</b> of the dishwasher which fails due to a defect in materials or workmanship. During this <b>limited one-year warranty</b> , GE will also provide, <b>free of charge</b> , all labor and in-home service to replace the defective part.
---	--

## What GE Will Not Cover (for customers in the United States):

- Service trips to your home to teach you how to use the product.
- Improper installation, delivery or maintenance.
- Failure of the product if it is abused, misused, or used for other than the intended purpose or used commercially.
- Replacement of house fuses or resetting of circuit breakers.
- Product not accessible to provide required service.
- Damage to the product caused by accident, fire, floods or acts of God.
- Incidental or consequential damage caused by possible defects with this appliance.
- Cleaning or servicing of the air gap device in the drain line.
- Damage caused after delivery, including damage from items dropped on the door.

**EXCLUSION OF IMPLIED WARRANTIES—Your sole and exclusive remedy is product repair as provided in this Limited Warranty. Any implied warranties, including the implied warranties of merchantability or fitness for a particular purpose, are limited to one year or the shortest period allowed by law.**

This warranty is extended to the original purchaser and any succeeding owner for products purchased for home use within the USA. If the product is located in an area where service by a GE Authorized Servicer is not available, you may be responsible for a trip charge or you may be required to bring the product to an Authorized GE Service location for service. Proof of original purchase date is needed to obtain service under the warranty. In Alaska, the warranty excludes the cost of shipping or service calls to your home.

Some states do not allow the exclusion or limitation of incidental or consequential damages. This warranty gives you specific legal rights, and you may also have other rights which vary from state to state. To know what your legal rights are, consult your local or state consumer affairs office or your state's Attorney General.

**Warrantor: General Electric Company. Louisville, KY 40225**

## What Is Not Covered (for customers in Canada):

- Service trips to your home to teach you how to use the product.
- Improper installation.  
If you have an installation problem, contact your dealer or installer. You are responsible for providing adequate electrical, exhausting and other connecting facilities.
- Failure of the product if it is abused, misused, or used for other than the intended purpose or used commercially.
- Replacement of house fuses or resetting of circuit breakers.
- Damage to the product caused by accident, fire, floods or acts of God.
- Damage caused after delivery.

**EXCLUSION OF IMPLIED WARRANTIES—Your sole and exclusive remedy is product repair as provided in this Limited Warranty. Any implied warranties, including the implied warranties of merchantability or fitness for a particular purpose, are limited to one year or the shortest period allowed by law.**

This warranty is extended to the original purchaser and any succeeding owner for products purchased in Canada for home use within Canada. In home warranty service will be provided in areas where it is available and deemed reasonable by Mabe to provide.

**WARRANTOR IS NOT RESPONSIBLE FOR CONSEQUENTIAL DAMAGES.**

**Warrantor: MC Commercial, Burlington, ON, L7R 5B6**

## Consumer Support.

---



### GE Appliances Website

In the US: [GEAppliances.com](http://GEAppliances.com)  
In Canada: [GEAppliances.ca](http://GEAppliances.ca)

Have a question or need assistance with your appliance? Try the GE Appliances Website 24 hours a day, any day of the year! For greater convenience and faster service, you can now download Owner's Manuals, order parts or even schedule service on-line.



### Schedule Service

In the US: [GEAppliances.com](http://GEAppliances.com)  
In Canada: [GEAppliances.ca](http://GEAppliances.ca)

Expert GE repair service is only one step away from your door. Get on-line and schedule your service at your convenience any day of the year! Or call 800.GE.CARES (800.432.2737) during normal business hours.

In Canada, call 800.561.3344



### Real Life Design Studio

In the US: [GEAppliances.com](http://GEAppliances.com)

GE supports the Universal Design concept—products, services and environments that can be used by people of all ages, sizes and capabilities. We recognize the need to design for a wide range of physical and mental abilities and impairments. For details of GE's Universal Design applications, including kitchen design ideas for people with disabilities, check out our Website today. For the hearing impaired, please call 800.TDD.GEAC (800.833.4322).

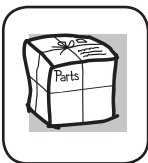
In Canada, please write to: Director, Consumer Relations, MC Commercial  
1 Factory Lane, Suite 310  
Moncton, N.B. E1C 9M3



### Extended Warranties

In the US: [GEAppliances.com](http://GEAppliances.com)  
In Canada: [GEAppliances.ca](http://GEAppliances.ca)

Purchase a GE extended warranty and learn about special discounts that are available while your warranty is still in effect. You can purchase it on-line anytime, or call 800.626.2224 during normal business hours. GE Consumer Home Services will still be there after your warranty expires. **In Canada, please consult your local listings for your extended warranty provider.**



### Parts and Accessories

In the US: [GEApplianceParts.com](http://GEApplianceParts.com)

Individuals qualified to service their own appliances can have parts or accessories sent directly to their homes (VISA, MasterCard and Discover cards are accepted). Order on-line today, 24 hours every day or by phone at 877.959.8688 during normal business hours.

*Instructions contained in this manual cover procedures to be performed by any user. Other servicing generally should be referred to qualified service personnel. Caution must be exercised, since improper servicing may cause unsafe operation.*

In Canada, call 800.661.1616



### Contact Us

In the US: [GEAppliances.com](http://GEAppliances.com)  
In Canada: [GEAppliances.ca](http://GEAppliances.ca)

If you are not satisfied with the service you receive from GE, contact us on our Website with all the details including your phone number, or write to: General Manager, Customer Relations

GE Appliances, Appliance Park  
Louisville, KY 40225

In Canada, please write to: Director, Consumer Relations, MC Commercial  
1 Factory Lane, Suite 310  
Moncton, N.B. E1C 9M3



### Register Your Appliance

In the US: [GEAppliances.com](http://GEAppliances.com)  
In Canada: [GEAppliances.ca](http://GEAppliances.ca)

**Register your new appliance on-line—at your convenience!** Timely product registration will allow for enhanced communication and prompt service under the terms of your warranty, should the need arise. You may also mail in the pre-printed registration card included in the packing material.

## CONSIGNES DE SÉCURITÉ.. 20-21

## DIRECTIVES DE FONCTIONNEMENT

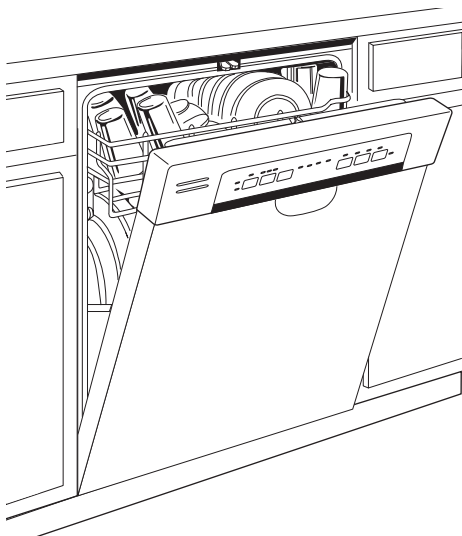
Chargement la vaisselle .....	26-28
Chargement de panier à couverts... ..	29
Entretien et nettoyage .....	30-31
Tableau de commande et réglages.....	22-23
Utilisation du lave-vaisselle.....	24-25

## AVANT D'APPELER UN RÉPARATEUR

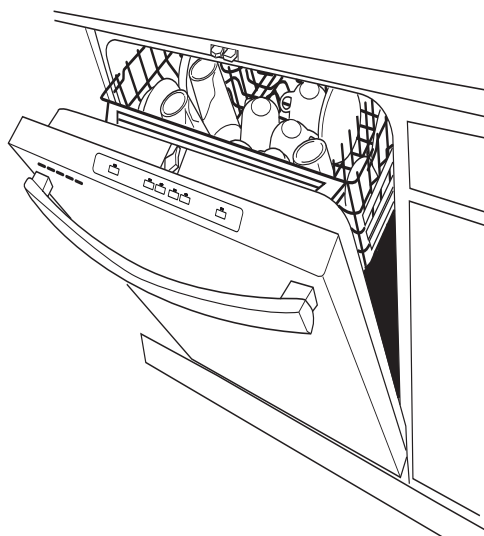
.....	32-35
-------	-------

## SERVICE À LA CLIENTÈLE

Garantie .....	37
Service à la clientèle .....	38



Modèles avec commandes à l'avant



Modèles avec commandes sur le dessus

*Inscrivez ci-dessous les numéros  
de modèle et de série :*

*N° de modèle* \_\_\_\_\_

*N° de série* \_\_\_\_\_

Ils se trouvent sur la paroi de la cuve,  
à l'intérieur de la porte.

# CONSIGNES DE SÉCURITÉ IMPORTANTES

## VEUILLEZ LIRE TOUTES LES CONSIGNES AVANT D'UTILISER L'APPAREIL—CONSERVEZ CES DIRECTIVES

**⚠ AVERTISSEMENT!** *Pour votre sécurité, veuillez suivre les directives données dans le présent manuel afin de réduire au minimum les risques d'incendie, d'explosion et de chocs électriques et prévenir tout dommage et blessure grave ou mortelle.*

### ⚠ AVERTISSEMENT! SÉCURITÉ DU CHAUFFE-EAU

*Dans certaines conditions, il peut se former de l'hydrogène dans un chauffe-eau qui n'a pas été utilisé pendant deux semaines ou plus. L'HYDROGÈNE EST UN GAZ EXPLOSIF.*

Si vous n'avez pas utilisé votre chauffe-eau pendant deux semaines ou plus, ouvrez tous les robinets d'eau chaude et laissez couler l'eau pendant plusieurs minutes afin de réduire les risques de dommages matériels ou de blessures. Prenez cette précaution avant même d'utiliser un électroménager raccordé au chauffe-eau pour éliminer l'hydrogène qui pourrait s'y être accumulé. Puisqu'il s'agit d'un gaz inflammable, ne fumez pas ou n'utilisez pas une flamme nue ou un électroménager au cours de ce processus.

### ⚠ AVERTISSEMENT! INSTALLATION ET ENTRETIEN APPROPRIÉS

*Ce lave-vaisselle doit être correctement installé, en conformité avec les directives d'installation fournies, avant d'être utilisé. Si vous n'avez pas reçu les directives d'installation avec votre appareil, vous pouvez vous les procurer en visitant notre site Web à l'adresse [www.electromenagersge.ca](http://www.electromenagersge.ca).*

- Cet appareil doit être relié à un système de câblage électrique permanent en métal, mis à la terre. Sinon, un fil de mise à la terre pour appareillage doit être installé et raccordé à la borne ou au fil de mise à la terre de l'appareil.
- Un raccordement incorrect du fil de mise à la terre peut présenter un risque d'électrocution. Consultez un électricien ou un technicien qualifié si vous n'êtes pas certain que l'appareil est correctement mis à la terre.
- Veuillez vous débarrasser de la façon appropriée de vos vieux électroménagers et des matériaux d'emballage ou d'expédition.
- Ne tentez pas de réparer ou de remplacer une pièce quelconque de votre lave-vaisselle, à moins que cela ne soit spécifiquement recommandé dans le présent manuel. Confiez toutes les autres réparations à un technicien qualifié.
- Utilisez uniquement un nécessaire de cordon électrique WX09X70910 ou câblez directement sur le circuit électrique du domicile. L'omission d'observer cette instruction peut causer un risque d'incendie ou de blessure.
- Pour réduire au minimum les risques d'électrocution, débranchez l'appareil de sa source d'alimentation avant d'en effectuer l'entretien.  
*REMARQUE : Le fait d'arrêter le lave-vaisselle ne coupe l'alimentation électrique de l'appareil. Nous vous recommandons de confier la réparation de votre électroménager à un technicien qualifié.*

### ⚠ AVERTISSEMENT! *Lors du fonctionnement de votre lave-vaisselle, prenez les précautions de base, notamment les suivantes :*

- N'utilisez cet appareil que pour l'usage pour lequel il a été conçu, comme expliqué dans le présent manuel.
- Utilisez uniquement un détergent ou un agent mouillant recommandés pour utilisation dans un lave-vaisselle et tenez-les à l'écart des enfants. L'utilisation d'un détergent non conçu pour les lave-vaisselles peut provoquer la formation de mousse.
- Placez les articles coupants de manière à ce qu'ils n'endommagent pas le joint d'étanchéité de la porte.
- Placez dans le panier à couverts les couteaux tranchants le manche vers le haut afin de réduire les risques de coupures.
- Ne lavez pas les articles en plastique à moins qu'ils ne portent la mention « Lavable au lave-vaisselle » ou l'équivalent. Si certains articles en plastique ne portent pas cette mention, reportez-vous aux recommandations du fabricant.
- Ne touchez pas à l'élément chauffant pendant ou immédiatement après le fonctionnement de l'appareil.
- Ne faites pas fonctionner le lave-vaisselle si tous les panneaux de la carrosserie n'ont pas été correctement réinstallés.
- Ne modifiez pas le fonctionnement des commandes.
- Abstenez-vous de vous asseoir, de vous accrocher ou de vous tenir sur la porte ou le panier du lave-vaisselle, ou d'en faire un emploi abusif de toute autre manière.
- Pour réduire le risque de blessure, ne laissez pas les enfants jouer avec l'électroménager, grimper dessus ou s'y introduire.
- Ne rangez ni n'utilisez des matières combustibles, y compris de l'essence ou d'autres liquides ou vapeurs inflammables, à proximité de cet appareil ou de tout autre.
- Les petites pièces, telles qu'attaches de panier et tiges de retenue de filtre, représentent un risque d'étouffement pour les jeunes enfants si elles sont retirées du lave-vaisselle. Gardez-les à l'écart des jeunes enfants.



# CONSIGNES DE SÉCURITÉ IMPORTANTES VEUILLEZ LIRE TOUTES LES CONSIGNES AVANT D'UTILISER L'APPAREIL—CONSERVEZ CES DIRECTIVES

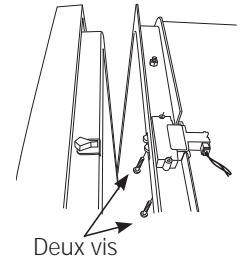
www.electromenagersge.ca

## ⚠ **AVERTISSEMENT!** RISQUE DE SUFFOCATION POUR UN ENFANT COINCÉ À L'INTÉRIEUR DE L'APPAREIL

### ÉLIMINATION APPROPRIÉE DU LAVE-VAISSELLE

Les lave-vaisselle jetés ou abandonnés sont dangereux... même si vous ne les laissez là que pour quelques jours. Si vous voulez jeter votre lave-vaisselle, veuillez suivre les directives ci-dessous pour éviter les accidents.

- Ne laissez pas les enfants jouer avec, sur, le lave-vaisselle, ou à l'intérieur de celui-ci ou de tout autre électroménager mis aux rebuts.
- Enlevez la porte du compartiment de lavage ou enlevez le verrou en ôtant les deux vis du loquet à l'intérieur de la cuve (comme illustré).



## ⚠ **ATTENTION :** Pour éviter les blessures mineures ou les dommages matériels

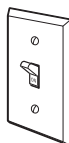
- Pendant ou après le cycle de lavage, le contenu peut s'avérer très chaud au toucher. Manipulez-le avec soin.
- Une surveillance attentive est nécessaire lorsque cet appareil est utilisé par ou près des enfants. Ne laissez pas les enfants jouer à proximité du lave-vaisselle lorsque vous la fermeture de la porte, la fermeture de la crémaillère supérieure, ou tout réglage en hauteur du panier supérieur afin d'éviter que leurs petits doigts se coincent.
- Articles autres que la vaisselle : ne lavez pas dans le lave-vaisselle des articles comme des filtres de purificateur d'air, des filtres de systèmes de chauffage ou des pinceaux. Vous pourriez endommager le lave-vaisselle et provoquer une décoloration ou des taches dans l'appareil.
- Placez les articles légers en plastique de manière qu'ils ne se déplacent pas ou ne tombent pas au fond de l'appareil—they pourraient entrer en contact avec l'élément chauffant, ce qui pourrait les endommager.

## ⚠ **ATTENTION :** EXIGENCES ÉLECTRIQUES

- Cet appareil électroménager doit être alimenté par du courant de 120V, 60 Hz, et branché à un circuit de dérivation bien mis à la terre, protégé par un fusible à retardement ou un disjoncteur de 15 ou 20 ampères.
- Si l'alimentation électrique fournie ne remplit pas les caractéristiques ci-dessus, nous vous recommandons de faire installer par un électricien qualifié une bonne prise.
- Le circuit de votre lave-vaisselle ne doit être utilisé par aucun autre appareil électroménager quand le lave-vaisselle fonctionne, car le lave-vaisselle nécessite toute la capacité du circuit.

## ⚠ **NOTICE**

- Si votre lave-vaisselle est branché sur un circuit relié à un interrupteur mural, assurez-vous d'actionner celui-ci avant d'utiliser votre appareil.
- Si vous fermez l'interrupteur mural entre les cycles de lavage, attendez de 5 à 10 secondes après avoir ramené l'interrupteur à **ON** (Marche) avant d'appuyer sur la touche **Start** (Marche) pour permettre aux commandes de se réinitialiser.



- N'utilisez que les détergents et agents de rinçage liquides, en poudre ou en tablette ou les **Cascade Complete® All-in-1 ActionPacs™** recommandés pour les lave-vaisselle et gardez-les hors de la portée des enfants. Les détergents pour lave-vaisselle **Cascade Complete® All-in-1 ActionPacs™** et les agents de rinçage **Cascade® Rinse Aid™** sont approuvés avec les lave-vaisselle GE.

VEUILLEZ LIRE ET SUIVRE À LA LETTRE CES CONSIGNES DE SÉCURITÉ.  
CONSERVEZ CES DIRECTIVES

# Tableau de commande et réglages

Les caractéristiques et l'apparence des appareils varieront tout au long de ce manuel.

## 1 Charger le lave-vaisselle

Pour de meilleurs résultats de lavage, suivez les directives de chargement des paniers dans la section *Chargement des paniers du lave-vaisselle*. Aucun pré-rinçage des dépôts alimentaires normaux n'est nécessaire. Enlevez les dépôts durs, notamment les os, les cure-dents, la peau et les graines. Enlevez les légumes-feuilles, les parties non comestibles de la viande et les quantités excédentaires de graisse ou d'huile. Enlevez les dépôts alimentaires acides qui peuvent décolorer l'acier inoxydable.

## 2 Ajouter le détergent

Ajoutez la quantité de détergent requise dans le distributeur à détergent. Utilisez un détergent du type *Cascade Complete All-in-1 ActionPacs™*. Consultez la rubrique Distributeur de détergent dans la section *Utilisation du lave-vaisselle*.

## 3 Ajouter le produit de rinçage

Ajoutez le produit de rinçage dans le distributeur. Consultez la section *Utilisation d'un produit de rinçage comme Cascade® Rinse Aid™* dans la section *Utilisation du lave-vaisselle*.

## 4 Sélectionner le cycle

Appuyez sur la touche *Select Cycle* pour choisir le cycle de lavage désiré. Le voyant vis-à-vis de la touche *Select Cycle* s'allumera pour indiquer le cycle qui a été choisi.

Le cycle peut être sélectionné même si la porte est ouverte. Le cycle ne démarrera qu'une fois la porte fermée et la commande *Start* sélectionnée. La durée du cycle peut varier en fonction du niveau de saleté des charges et du cycle sélectionné. D'autres options pourraient rallonger le cycle.

**AutoSense** (certains modèles) Ce cycle détecte automatiquement le degré de saleté et règle le cycle de lavage en conséquence.

**Heavy** Ce cycle est destiné à la vaisselle et batterie de cuisine très sale, avec dépôts alimentaires séchés ou cuits. Ce cycle convient aussi à la vaisselle de tous les jours.

**Normal** Ce cycle, destiné à un lavage quotidien, régulier et typique d'une pleine charge de vaisselle normalement sale, est aussi économe en eau et en énergie. **REMARQUE** : *Normal* a servi à évaluer l'efficacité énergétique de ce lave-vaisselle.

**Light** Ce cycle est conçu pour la vaisselle de saleté légère à moyenne. Il convient à la porcelaine et au cristal mais en raison de la température de rinçage finale moindre, fournira une performance de séchage limitée.

**Rinse** (certains modèles) Pour le rinçage de charges partielles qui seront lavées plus tard. N'utilisez pas de détergent. Le détergent n'est pas distribué pendant le cycle de rinçage.

## 5 Sélectionner les options

Le voyant vis-à-vis la touche sélectionnée *S'ALLUMERA* pour indiquer l'option qui a été sélectionnée.

**Bottle Jets** (certains modèles) Cette option augmente la durée d'activation des jets pour bouteilles et peut ajouter jusqu'à 23 minutes de la durée du cycle. Utilisez cette option pour laver les bouteilles pour bébé qui vont au lave-vaisselle mais s'avèrent difficiles à nettoyer, les bouteilles de sports, les tasses à café hautes, etc. Consultez les recommandations d'utilisation dans la section *Chargement du lave-vaisselle*.

**Wash Temp Boost** (certains modèles) Cette option augmente la température pour faciliter le lavage de la vaisselle très sale et elle peut allonger la durée totale du cycle. L'option peut être activée ou désactivée pendant le cycle de lavage. L'option Wash Temp augmente aussi la température de rinçage finale (certains modèles), ce qui peut augmenter la performance de séchage.

**Wash Temp Sani** (certains modèles) Cette option augmente la température de l'eau lors du rinçage final afin de désinfecter la vaisselle et améliore la performance de séchage. La durée du cycle variera selon la température de l'eau d'admission. **REMARQUE** : Cette option est contrôlée en fonction de critères de désinfection. Si le cycle est interrompu pendant ou après l'étape du lavage principal, ou si la température de l'eau d'admission est si basse qu'un lavage adéquat ne peut être obtenu, il se peut que les critères de désinfection ne soient pas atteints. Dans ce cas, le voyant Sanitized ne s'allumera pas à la fin du cycle. L'utilisation de cette option modifiera le cycle pour satisfaire à la Section 6 de la norme NSF 184 relative au délogement de la saleté et à l'efficacité de la désinfection. **REMARQUE** : Les lave-vaisselle domestiques homologués NSF ne sont pas destinés aux établissements alimentaires du commerce.

**Heated Dry Off** Désactive l'option de séchage avec chaleur. La vaisselle sèche naturellement à l'air et l'énergie est économisée. Ouvrez la porte du lave-vaisselle pour accélérer le séchage.

**Heated Dry On** Allume l'élément chauffant afin d'accélérer le séchage. Ce cycle prolongera le cycle de lavage de 64 minutes. **NE PAS** utiliser avec le cycle Rinse seulement.

## 5 Sélectionner les options (suite)

<b>Steam (Prewash)</b> (certains modèles)	Pour utilisation avec une vaisselle très sale et/ou sur laquelle des aliments ont séché ou cuit. Cette option DOIT être sélectionnée AVANT de démarrer le cycle. L'option Steam ajoute environ 30 minutes à la durée du cycle. Cette option est disponible avec les cycles <b>Heavy</b> , <b>AutoSense</b> et <b>Normal</b> .
<b>Wash Zones</b> (certains modèles)	La sélection de la zone de lavage supérieure ou inférieure dirigera le lavage sur un panier seulement. La durée du cycle sera ainsi raccourcie et l'énergie sera économisée. Cette option est utilisée seulement si la charge est réduite de moitié.
<b>Delay Hours</b> (certains modèles)	Retarde le démarrage d'un cycle de lavage d'une durée allant de 12 heures selon le modèle. Touchez la commande Delay Hours, sélectionnez le nombre d'heures, puis touchez une fois la commande Start pour lancer le décompte. Le lave-vaisselle commencera à fonctionner une fois le délai expiré.
<b>Control Lock</b>	Vous pouvez verrouiller les commandes pour empêcher que des sélections ne soient effectuées. Vous pouvez aussi verrouiller les commandes après le démarrage d'un cycle pour empêcher une modification. Par exemple, cette option empêchera le démarrage accidentel du lave-vaisselle lorsqu'un enfant appuie sur des touches par inadvertance.  <i>Pour VERROUILLER les commandes</i> du lave-vaisselle, selon le modèle, maintenir une pression sur la touche <b>Heated Dry</b> durant 3 secondes ou maintenir une pression simultanément sur les touches <b>Steam</b> et <b>Wash Temp</b> pendant 3 secondes. Le voyant Control Lock s'allumera pour indiquer que les commandes sont verrouillées.  <i>Pour DÉVERROUILLER les commandes</i> du lave-vaisselle, selon le modèle, maintenir une pression sur la touche <b>Heated Dry</b> durant 3 secondes ou maintenir une pression simultanément sur les touches <b>Steam</b> et <b>Wash Temp</b> pendant 3 secondes. Le voyant s'allumera pour indiquer que les commandes sont déverrouillées.
<b>Energy Smart</b>	Lorsque connectée à un compteur intelligent de votre compagnie d'électricité, le lave-vaisselle retardera automatiquement le démarrage d'un cycle pendant les demandes de pointe à tarif plus élevé, et il fonctionnera pendant les périodes de faible demande. Cependant, vous pouvez outrepasser les réglages de retardement et utiliser le lave-vaisselle au besoin. Renseignez-vous davantage sur la fonction <b>Energy Smart</b> dans la section <i>Utilisation du lave-vaisselle</i> .

## 6 Démarrer le lave-vaisselle

<b>Start</b>	La porte peut être ouverte pour sélectionner les options désirées. Appuyez sur la touche <b>Start</b> pour débiter le cycle et fermez la porte moins de 10 secondes pour démarrer le cycle ou débiter le décompte de l'option <b>Delay Hours</b> . Le cycle de lavage commencera peu de temps après la fermeture de la porte. Si la porte est ouverte, les voyants allumés vont s'éteindre si l'on appuie pas sur une touche en moins de deux minutes. Pour activer l'affichage, fermer ou ouvrir la porte, ou encore toucher à n'importe quelle touche.
<b>Interrupt or Pause</b>	Pour interrompre un cycle ou faire une pause, ouvrez la porte lentement. L'ouverture de la porte occasionnera une pause dans le cycle. Le lave-vaisselle émettra un bip à chaque minute pour vous rappeler de fermer la porte. Pour redémarrer ou poursuivre le cycle, appuyez sur Start puis fermez la porte.
<b>Cancel</b>	Pour annuler un cycle de lavage, maintenir une pression sur la touche <b>Start</b> pendant 3 secondes puis fermer la porte. Le lave-vaisselle se vidangera, émettra un bip, et le voyant du cycle de lavage s'éteindra.

## 7 Fin du cycle Sanitized

<b>Sanitized</b>	Voyant allumé à la fin du cycle lorsque <b>Wash Temp Sani</b> (lavage hygiénique) a été sélectionné et que le lave-vaisselle a satisfait aux critères de désinfection. Consultez la rubrique <b>Wash Temp Sani</b> pour une description complète de l'option. Le voyant s'éteindra dès l'ouverture de la porte, ou sur pression d'une touche avec porte fermée.
<b>Clean</b>	Ce voyant s'allume lorsque le cycle de lavage est terminé. Il reste allumé pour rappeler que la vaisselle est propre. Le voyant s'éteindra dès l'ouverture de la porte, ou sur pression d'une touche avec porte fermée.
<b>Door Wake Up Mode (Mode d'activation de la porte)</b> (certains modèles)	Pour activer ou désactiver ( <b>ON/OFF</b> ) cette option, maintenez enfoncées les touches <b>START</b> et <b>WASH TEMP</b> pendant 5 secondes, fermez la porte et attendez 3 minutes que le lave-vaisselle passe en mode veille. Dans la position <b>OFF</b> , l'affichage et les sonorités des commandes et les lampes intérieures ne répondront pas à l'ouverture ou la fermeture de la porte. Ce mode peut être utilisé lors de l'observation de certains rites religieux tels que le sabbat. Pour activer la commande et les lampes intérieures, pressez n'importe quelle touche.

## Utilisation du lave-vaisselle.



### Vérification de la température de l'eau

L'eau qui alimente le lave-vaisselle doit être à une température d'au moins 49 °C (120 °F) et d'au plus 66 °C (150 °F) pour que l'action de lavage soit efficace et pour prévenir tout dommage à la vaisselle. Vérifiez la température de l'eau avec un

thermomètre à bonbons ou à viande. Ouvrez le robinet d'eau chaude le plus près du lave-vaisselle, placez le thermomètre dans un verre et laissez l'eau couler continuellement dans le verre jusqu'à ce que la température cesse d'augmenter.



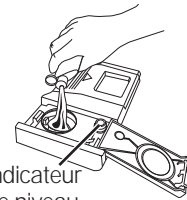
### Utilisation d'un produit de rinçage comme Cascade Crystal Clear®

Les produits de rinçage tels que *Cascade® Rinse Aid™* sont conçus pour une meilleure efficacité au séchage et une protection contre les taches et le film susceptibles de se former sur la vaisselle, la verrerie, la coutellerie, la batterie de cuisine et le plastique.

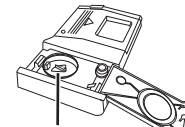
#### Remplissage du distributeur

Le distributeur de produit de rinçage contient 100 ml (3,5 oz) de produit de rinçage. Dans des conditions normales de fonctionnement, cette quantité est suffisante pour environ un mois.

- 1 Assurez-vous que la porte du lave-vaisselle est entièrement ouverte.
- 2 Ouvrez le couvercle du distributeur de produit de rinçage RINSE AID.
- 3 Ajoutez lentement le produit de rinçage jusqu'à remplir le contenant. Il se peut que vous deviez vous arrêter à quelques reprises pour permettre la décantation.
- 4 Nettoyez le produit de rinçage renversé avec un linge humide.
- 5 Fermez le couvercle du distributeur RINSE AID.



Indicateur de niveau



Dispositif de réglage du produit de rinçage

#### Dosage du produit de rinçage

Vous pouvez régler la quantité de produit de rinçage versée au rinçage final. Le distributeur a été réglé à l'usine au point milieu. Si des taches d'eau dure se forment sur la vaisselle, élevez le réglage. Si vous apercevez de la mousse dans le lave-vaisselle, placez le distributeur à un réglage moins élevé.

#### Pour régler le dosage

Ouvrez le couvercle du distributeur RINSE AID; puis tournez le dispositif de réglage dans le sens horaire pour augmenter la quantité de produit de rinçage, et dans le sens antihoraire pour la diminuer.



Dans le sens des aiguilles d'une montre pour réduire les taches de gouttes d'eau et d'eau dure.



Dans le sens inverse des aiguilles pour réduire le moussage.

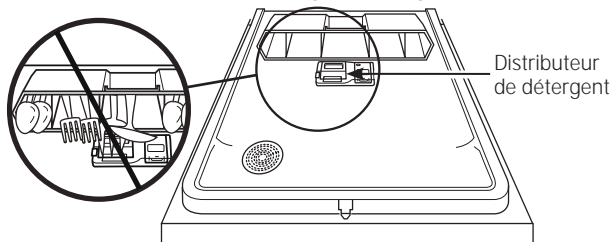




## Distributeur de détergent

Le distributeur de détergent est situé au centre de la porte du lave-vaisselle. Il comporte deux compartiments. Le compartiment de lavage principal se trouve à l'intérieur du distributeur de détergent. Pour l'ouvrir, appuyez sur le bouton bleu sur le côté du distributeur. Le compartiment de pré-lavage se situe sur le couvercle du distributeur de détergent. Utilisez le compartiment de pré-lavage uniquement lorsque l'eau est extrêmement dure ou que la vaisselle est très sale.

**REMARQUE :** N'obstruez pas le distributeur de détergent en plaçant des ustensiles trop larges ou longs à proximité.



Vous pouvez utiliser du détergent à lave-vaisselle en poudre, en liquide, en gel ou en tablettes. Assurez-vous de n'utiliser que des détergents spécifiquement adaptés aux lave-vaisselle automatiques. N'utilisez jamais de détergent liquide pour le lavage de la vaisselle à la main. Si vous utilisez un détergent inadapté, il se formera de la mousse et le lavage ne sera pas optimal.

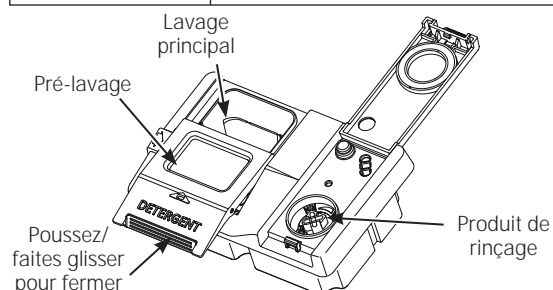
Il est important de conserver le détergent dans un endroit sec et dans son emballage d'origine afin qu'il ne perde pas de son efficacité. Par conséquent, ne versez le détergent dans distributeur qu'au moment de mettre le lave-vaisselle en marche, puis fermez le couvercle. Le couvercle s'ouvrira pendant le programme.

### Remplissage du distributeur de détergent

GE recommande l'utilisation d'un détergent en tablette ou en dose. Des essais indépendants ont indiqué que ce type de détergent est très efficace dans un lave-vaisselle. **Cascade® Platinum Pacs** sont un exemple de ce type de détergent. Mettez simplement une tablette ou une dose dans le compartiment principal et faites glisser pour fermer le couvercle du compartiment à détergent. Veuillez noter que la tablette ou la dose doit être placée dans le compartiment principal de détergent. Si la tablette ou la dose se retrouve au fond du lave-vaisselle, le détergent sera éliminé très rapidement et sera donc inutilisé. Les performances de lavage seront alors très mauvaises.

Si vous choisissez d'utiliser un détergent en poudre, liquide ou en gel, la quantité utilisée sera fonction de la dureté et de la température de votre eau ainsi que de degré de salissure de votre vaisselle. Contactez votre compagnie distributrice des eaux pour obtenir des informations sur la dureté de l'eau dans votre région. La dureté de l'eau se mesure en grains par gallon. Utilisez cette information et le tableau ci-dessus pour déterminer la quantité de détergent à utiliser. Vous pouvez également acheter des bandes tests de dureté de l'eau auprès de GE. Appelez le 1.800.661.1616 et demandez le numéro de pièces n°WD01X10295.

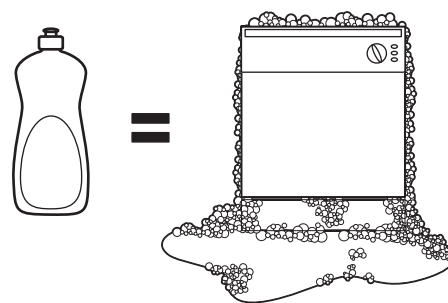
Nombre de Grains/Gal.	Godets à Remplir
Moins de 4	Remplir au 1/3
Entre 4 et 8	Remplir au 2/3
Entre 8 et 12	Remplir au complet
Plus de 12	Remplissez le godet du lavage principal et celui du lavage préliminaire



L'utilisation de trop de détergent avec une eau trop douce et/ou trop chaude peut occasionner un voile permanent sur votre verrerie appelé « attaque chimique » qui est irréversible. Toutefois, trop peu de détergent peut affecter les performances de lavage. Utilisez le tableau comme point de départ puis ajustez la quantité de détergent que vous utilisez.

Use the table as a starting point and then adjust the amount of detergent you use. Use just enough to get good wash performance. Using just the right amount of detergent will provide great wash performance without wasting detergent or etching of glassware.

### N'UTILISEZ PAS DE DÉTERGENT LIQUIDE POUR LE LAVAGE DE LA VAISSELLE À LA MAIN



**REMARQUE :** Si vous utilisez un détergent qui n'est pas conçu pour les lave-vaisselle, il se formera de la mousse à l'intérieur de l'appareil. Pendant le fonctionnement, cette mousse sortira par les évènements de l'appareil et s'écoulera sur le plancher de cuisine.

Comme bon nombre de contenants de détergent se ressemblent, rangez le détergent pour lave-vaisselle à part de vos autres produits nettoyants. Montrez le bon détergent à toute personne susceptible d'utiliser le lave-vaisselle, ainsi que l'endroit où vous le gardez.

Même si l'utilisation d'un détergent non conçu pour les lave-vaisselle ne risque pas de causer des dommages permanents à votre appareil, votre vaisselle ne sera pas aussi propre.

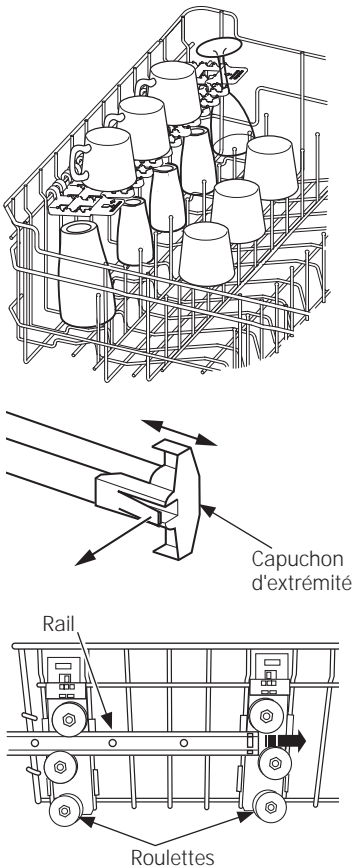
# Chargement la vaisselle.

Pour un lavage optimal, veuillez suivre les lignes directrices ci-dessous pour le chargement des paniers. Les caractéristiques et l'apparence des paniers et du panier à couverts peuvent être différentes de celles de votre modèle.

## Panier supérieur

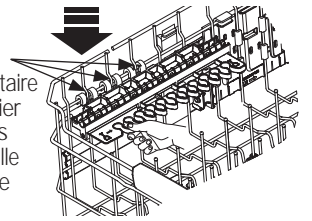
Le panier supérieur est principalement destiné aux verres, aux tasses et aux soucoupes. Cependant, d'autres articles tels que pots, casseroles et assiettes peuvent être placés dans le panier supérieur. C'est aussi un endroit sûr pour les articles de plastique qui vont au lave-vaisselle. Le panier supérieur peut être utilisé pour les ustensiles aux dimensions spéciales. Les poêlons, les bols à mélanger et d'autres articles de taille similaire doivent être placés à l'envers pour un meilleur résultat de lavage. Veuillez à ce que les petits articles en plastique ne puissent bouger car ils pourraient s'endommager en tombant dans l'élément chauffant au fond du lave-vaisselle.

Sur certains modèles, le panier supérieur peut être ajusté pour recevoir les articles de plus grande taille. Pour ajuster le panier supérieur, l'allonger complètement et enlever les deux capuchons d'extrémité en plastique à l'avant des rails. Enlever le panier supérieur. Sélectionnez le jeu de roulettes sur le côté du panier qui procure la hauteur désirée, puis réinstallez le panier en guidant les rails entre le jeu de roulettes approprié. Panier installé, remplacez les deux capuchons, en vous assurant que leur fermoir est bien engagé. Le défaut de bien engager les capuchons d'extrémité peut entraîner la chute du panier du lave-vaisselle.



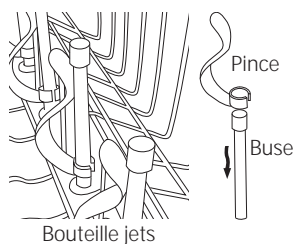
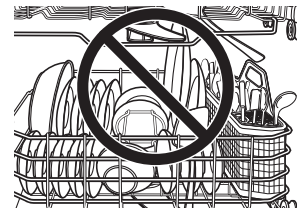
Pour ajouter de la polyvalence au chargement, la grille utilitaire (certains modèles) peut être placée dans le haut ou le bas. Elle peut aussi servir à fixer des verres à pied comme les verres à vin. Étant donné que ces verres présentent différentes tailles, poussez lentement le panier vers l'intérieur afin que les articles ne percutent pas les bords du lave-vaisselle.

Placez les fentes des attaches de la grille utilitaire sur les broches du panier vertical et poussez vers le bas pour fixer la grille utilitaire sur la deuxième broche du panier

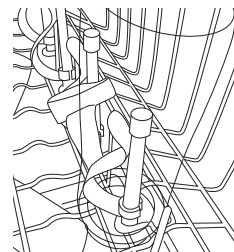


Il est important de faire en sorte que les articles ne dépassent pas du bas du panier ou du panier à couverts (certains modèles) pour ne pas gêner la rotation du bras gicleur intermédiaire. Cette situation pourrait causer du bruit pendant le fonctionnement et/ou un lavage de piètre qualité.

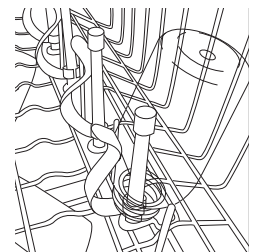
**Assurez-vous qu'aucun article n'empêche les bras gicleurs de tourner.**



Le système **Bottle Jets** (bouteille jets) (certains modèles) est l'endroit idéal pour placer les grandes tasses, les bouteilles de sport et les bouteilles pour bébés. Les pinces du système **Bottle Jets** (bouteille jets) maintiennent les bouteilles dotées de petits orifices en place de façon que les jets d'eau puissent atteindre l'intérieur des bouteilles afin de nettoyer les zones d'accès difficile. Les pinces peuvent être placées ou retirées simplement en glissant l'orifice de la pince sur le dessus de la buse.



Bouteille de sports maintenue en place *sur* un pince de Bottle Jets (bouteille jets)



Bouteille de bébé maintenue en place *sous* pince de Bottle Jets (bouteille jets)

*Panier supérieur - 8 couverts  
GDF510, GDF510-610, GDT535-545,  
GDT625 & ADT521*



*Panier supérieur - 10 couverts  
GDF510-610, GDT535-545, GDT625  
& ADT521*



*Panier supérieur - 12 couverts  
GDF510-610, GDT535-545, GDT625  
& ADT521*



*Panier supérieur - 8 couverts  
GDF620, GDT635*



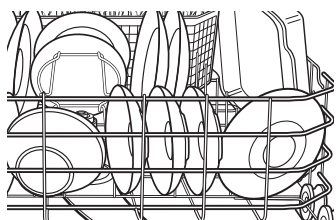
*Panier supérieur - 10 couverts  
GDF620, GDT635*



*Panier supérieur - 12 couverts  
GDF620, GDT635*



# Chargement la vaisselle.



## Panier inférieur

Le panier inférieur est destiné aux assiettes, aux soucoupes et aux articles de batterie de cuisine. Les gros articles tels que les lèchefrites et les plaques à pâtisserie doivent aller sur les côtés du panier. Si nécessaire, les verres et les tasses de grande taille peuvent être placés dans le panier inférieur pour optimiser le chargement. Les assiettes, les soucoupes et les articles similaires doivent être placés entre les tiges dans la direction qui permet un appui sûr.

Il est important de faire en sorte que les articles ne dépassent pas du bas du panier ou du panier à couverts (certains modèles) pour ne pas gêner la rotation du bras gicleur inférieur. Cette situation pourrait causer du bruit pendant le fonctionnement et/ou un lavage de piètre qualité.

8 couverts - Panier inférieur  
GDF510 & GDT535



10 couverts - Panier inférieur  
GDF510 & GDT535



12 couverts - Panier inférieur  
GDF510 & GDT535



8 couverts - Panier inférieur  
GDF520, GDF610, ADT521, GDT545  
& GDT625



10 couverts - Panier inférieur  
GDF520, GDF610, ADT521, GDT545  
& GDT625



12 couverts - Panier inférieur  
GDF520, GDF610, ADT521, GDT545  
& GDT625



8 couverts - Panier inférieur  
GDF620, GDT635



10 couverts - Panier inférieur  
GDF620, GDT635

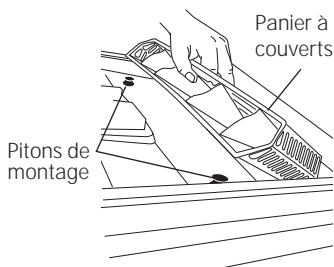


12 couverts - Panier inférieur  
GDF620, GDT635



# Chargement de panier à couvert.

Pour un lavage optimal, veuillez suivre les lignes directrices ci-dessous pour le chargement des paniers. Les caractéristiques et l'apparence des paniers et du panier à couverts peuvent être différentes de celles de votre modèle.



## Panier à couverts

Placez les ustensiles dans le panier amovible pour couverts et accessoires (certains modèles). Les objets pointus, comme les fourchettes et les couteaux, peuvent être placés avec les poignées vers le haut de façon à protéger vos mains. Pour les meilleurs résultats de lavage, placez les autres articles comme les cuillères avec la poignée vers le bas. Évitez de regrouper les articles afin de favoriser un lavage optimal. Lors du chargement, répartissez les articles uniformément dans le panier.

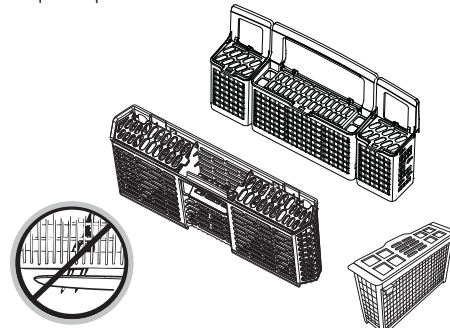
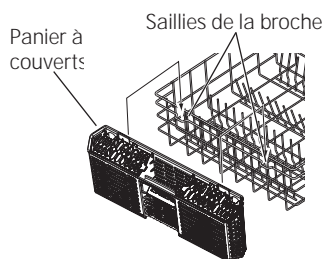
Le panier amovible pour couverts et accessoires (certains modèles) peut aussi servir pour les petits articles, tels que cuillères à mesurer, sucres de bouteille pour bébé, capuchons de plastique ou porte-épis de maïs. Les couvercles du panier amovible (certains modèles) peuvent être fermés pour contenir les petits articles.

Le panier à couverts monté sur la porte (certains modèles) peut être fixé sur la porte à l'aide des deux pitons de montage, ou sur le panier en se servant des saillies dans la broche à l'avant du panier inférieur pour engager les languettes à l'arrière du panier à couverts.

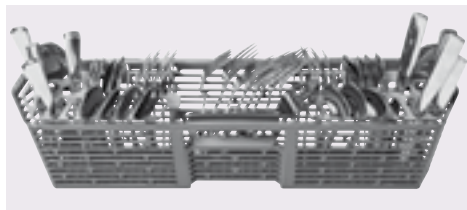
Le panier auxiliaire (certains modèles) est doté de crochets à l'arrière qui permettent de le fixer sur la broche supérieure des côtés du panier inférieur.

Le panier de type FlexBaskets (certains modèles) se fixe à l'avant du panier supérieur ou inférieur. Fixez le FlexBaskets en engageant ses languettes arrière dans la saillie de la broche à l'avant du panier supérieur ou inférieur.

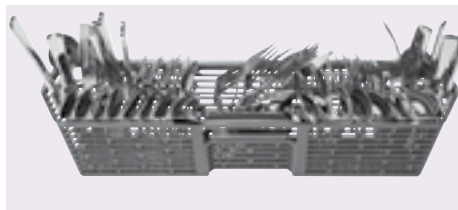
Ne placez pas de gros ou grand ustensiles de façon qu'ils puissent bloquer le distributeur de détergent ou se coincer entre la porte et le joint d'étanchéité lorsque la porte est fermée.



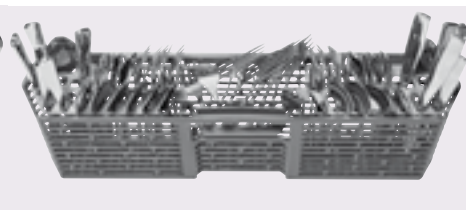
Panier à couverts - 8 couverts  
GDF510 & GDT535



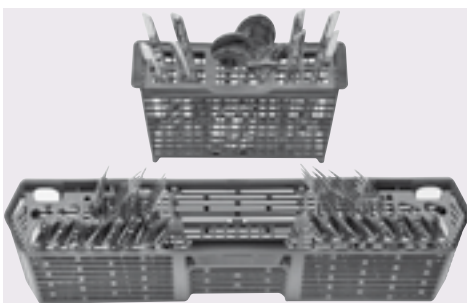
Panier à couverts - 10 couverts  
GDF510 & GDT535



Panier à couverts - 12 couverts  
GDF510 & GDT535



Panier à couverts - 8 couverts  
GDF520, GDF610, GDT545, GDT625 & ADT521



Panier à couverts - 10 couverts  
GDF520, GDF610, GDT545, GDT625 & ADT521



Panier à couverts - 12 couverts  
GDF520, GDF610, GDT545, GDT625 & ADT521



Panier à couverts - 8 couverts  
GDT635



Panier à couverts - 10 couverts  
GDT635



Panier à couverts - 12 couverts  
GDT635



### **Nettoyage du panneau de la porte**

Avant de nettoyer le panneau avant de la porte, vérifiez de quel type de panneau il s'agit. Vérifiez les deux dernières lettres de votre numéro de modèle. Vous trouverez le numéro de votre modèle sur la paroi gauche de la cuve, tout juste à l'intérieur de la porte. Si votre numéro de modèle se termine par les lettres BB, CC, WW, SA ou ES, votre appareil est doté d'un panneau de porte peint. Si votre numéro de modèle se termine par les lettres SS, votre appareil est doté d'un panneau de porte en acier inoxydable. Si votre numéro de modèle se termine par « II », alors il est doté d'un panneau de porte intégré.

Veillez suivre les directives ci-dessous pour nettoyer le panneau de porte de votre modèle.

**Panneau de porte peint** (numéro de modèle se terminant par BB-noir, CC-bisque, WW-blanc, SA-argent ou ES-ardoise)

Utilisez un chiffon doux et propre légèrement humide, puis séchez.

*N'utilisez pas de tampon à récurer ou de poudre nettoiyante, car ils peuvent rayer la surface.*

**Panneau de porte en acier inoxydable** (numéro de modèle se terminant par SS)

**Pour faire disparaître la rouille**, le ternissement et les petites imperfections, utilisez des nettoiyants à l'acide oxalique tels que Bar Keepers Friend Soft Cleanser™. Utilisez uniquement un nettoiyant liquide exempt d'abrasif et frottez dans la direction des lignes de brosse à l'aide d'une éponge douce humide. N'utilisez pas de cire ou de produit à polir pour électroménagers sur l'acier inoxydable.

**Pour faire disparaître d'autres imperfections ou marques**,

utilisez le nettoiyant Stainless Steel Magic™ ou un produit similaire avec un linge doux humide. N'utilisez pas de cire pour électroménagers, d'agents polissants, de javellisants ni de produits chlorés sur l'acier inoxydable. Vous pouvez commander le produit nettoiyant Stainless Steel Magic (no WX10X29) auprès du service des Pièces GE en composant le 877.959.8688. Au Canada, composez le 1-800-661-1616.

**Panneau de porte intégré** (numéros de modèle se terminant par II)

Il s'agit d'un panneau de porte personnalisé et vous devez vous reporter aux recommandations du fabricant d'armoires pour le nettoyage approprié.

---

### **Nettoyage du tableau de commande**

Pour nettoyer le tableau de commande, utilisez un chiffon doux légèrement humide, puis asséchez-le.

---

### **Nettoyage de l'intérieur du lave-vaisselle**

Pour nettoyer et désodoriser votre lave-vaisselle, utilisez de l'acide citrique ou le produit Lemi Shine®\*, un additif détergent. Lemi Shine délogera les dépôts minéraux et fera disparaître la pellicule et les taches d'eau dure. Vous pouvez commander de l'acide citrique n° WD35X151 au service des Pièces de GE au numéro 1.877.959.8688 ou sur le site [GEApplianceparts.com](http://GEApplianceparts.com). Au Canada, composez le 1-800-661-1616. Vous pouvez vous procurer le produit Lemi Shine chez votre épiciier ou en appelant GE au numéro susmentionné pour demander l'article WX10X10019.

---

### **Porte intérieure en acier inoxydable**

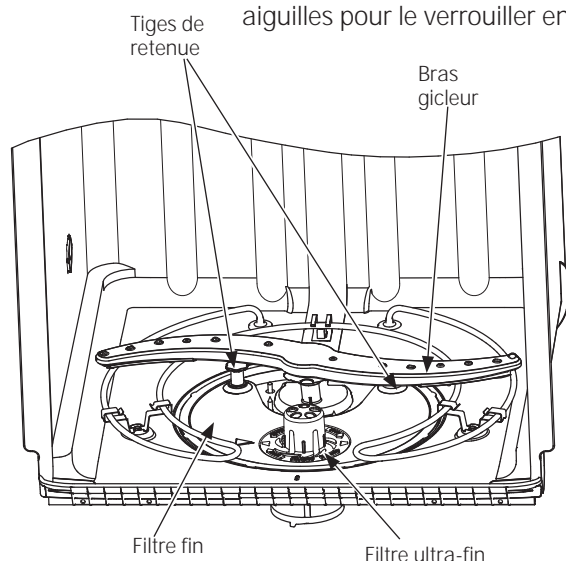
L'acier inoxydable utilisé pour fabriquer la porte intérieure du lave-vaisselle procure la plus haute fiabilité dans la gamme des lave-vaisselle GE. Si la porte intérieure du lave-vaisselle devaient être rayées ou ébréchées dans le cours d'un usage normal, elles ne rouilleront pas pour autant. Les dommages en surface n'affecteront pas leur fonction et leur durabilité.

## Nettoyage des filtres

Inspectez et nettoyez les filtres régulièrement. Nous recommandons de le faire tous les deux mois environ, selon l'usage. Le besoin de nettoyer les filtres se remarque par une performance moindre de lavage ou lorsque la vaisselle semble rugueuse.

### Filtre ultra-fin

Pour nettoyer le Filtre ultra-fin, retirez le panier inférieur. Tournez dans le sens inverse des aiguilles d'une montre et retirez le Filtre ultra-fin. Rincez le filtre à l'aide d'eau tiède savonneuse et utilisez une éponge pour essuyer les particules résistantes. L'utilisation de tampons à récurer ou de brosses peut endommager le filtre. Une fois nettoyé, remplacez le Filtre ultra-fin et tournez-le dans le sens des aiguilles pour le verrouiller en place.



### Filtre fin

Pour nettoyer le Filtre fin (plaque grillagée plate), retirez le panier inférieur. Retirez le Filtre ultra-fin.

Tournez chacune des deux tiges de retenue situées vers le fond arrière de la cuve, et retirez le Filtre fin. Rincez le filtre dans l'eau tiède savonneuse. L'utilisation de tampons à récurer ou de brosses peut rayer le filtre. Utiliser une brosse douce ou une éponge pour enlever la saleté rebelle ou les dépôts de calcium laissés par l'eau dure. Une fois nettoyé, remplacez le Filtre fin, le Filtre ultra-fin, et tournez dans le sens des aiguilles les deux tiges de retenue pour les enclencher.

**⚠ AVERTISSEMENT !** Les tiges de retenue peuvent constituer un risque d'étouffement pour les enfants en bas âge si elles sont retirées du lave-vaisselle. Gardez-les à l'écart des enfants.

## Protection contre le gel

Si vous laissez votre lave-vaisselle dans un endroit non chauffé pendant l'hiver, demandez à un technicien d'effectuer les tâches qui suivent :

- 1 Enlever l'alimentation électrique du lave-vaisselle. Enlever les fusibles ou déclencher les disjoncteurs.
- 2 Couper l'alimentation en eau et débrancher la conduite d'alimentation en eau de l'électrovanne.

- 3 Vidanger l'eau de la conduite d'alimentation et de l'électrovanne (utiliser un récipient pour recueillir l'eau).
- 4 Rebrancher la conduite d'alimentation en eau à l'électrovanne de l'appareil.

Coupeure antirefoulement



Vérifiez la coupeure antirefoulement dès que votre lave-vaisselle ne se vide pas bien.

## Votre lave-vaisselle est-il doté d'une coupeure antirefoulement?

Votre lave-vaisselle est-il doté d'une coupeure antirefoulement?

Une coupeure antirefoulement protège votre lave-vaisselle contre les refoulements d'eau lors d'un blocage du renvoi. Ce dispositif ne fait pas partie du lave-vaisselle. Il n'est pas couvert par votre garantie. Puisque tous les codes de plomberie n'exigent pas de coupeures antirefoulement, il est possible que vous n'ayez pas un tel dispositif.

**Il est facile de nettoyer la coupeure antirefoulement.**

- 1 Arrêtez le lave-vaisselle et enlevez le couvercle de la coupeure antirefoulement.
- 2 Enlevez le capuchon en plastique sous le couvercle et nettoyez-le à l'aide d'un cure-dents.
- 3 Remplacez le capuchon et le couvercle une fois la coupeure antirefoulement nettoyée.

## Avant d'appeler un réparateur...

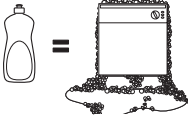


### Conseils de dépannage

Gagnez du temps et économisez de l'argent! Consultez les tableaux des pages qui suivent ou visitez notre site Web [www.electromenagersge.ca](http://www.electromenagersge.ca). Vous pourriez vous éviter d'appeler un réparateur.

Problème	Causes possibles	Correctifs
Le voyant d'état <i>Start</i> clignote	La porte a été ouverte ou le cycle a été interrompu.	<ul style="list-style-type: none"> <li>Appuyez une seule fois sur la touche <b>Start</b> pour mettre en marche lave-vaisselle. Appuyez une deuxième fois sur la touche <b>Start</b> pendant que le lave-vaisselle est en marche pour annuler le programme.</li> </ul>
Le lave-vaisselle fait entendre un signal sonore (BIP) toutes les 60 secondes (sur certains modèles)	Ce signal vous rappelle que vous avez ouvert la porte du lave-vaisselle pendant le fonctionnement. Le signal se fera entendre jusqu'à ce que vous fermiez la porte et appuyez sur <b>Start</b> .	<ul style="list-style-type: none"> <li>Press <b>Start</b> and close the door</li> </ul>
Un signal sonore se fait entendre à la fin du programme (sur certains modèles)	Ce phénomène est normal. Le lave-vaisselle fait entendre deux signaux sonores à la fin du.	<ul style="list-style-type: none"> <li>Pour annuler ce double signal sonore (ou pour le remettre en fonction si vous l'aviez précédemment annulé), appuyez 5 fois sur la touche <b>Heated Dry</b> en moins de 3 secondes. Trois signaux sonores se feront entendre pour indiquer que vous avez annulé ou remis en fonction l'option du signal sonore à la fin du programme.</li> </ul>
La vaisselle et les couverts ne sont pas propres	filtre ultra-fin ou fin est obstrué	<ul style="list-style-type: none"> <li>Voir la section Entretien et nettoyage</li> </ul>
	La température de l'eau est trop basse	<ul style="list-style-type: none"> <li>Assurez-vous que la température de l'eau qui alimente le lave-vaisselle est correcte (la section <i>Utilisation du lave-vaisselle</i>). Ouvrez le robinet d'eau chaude situé le plus près du lave-vaisselle, puis laissez couler l'eau jusqu'à ce que la température cesse de grimper. Mettez ensuite le lave-vaisselle en marche et fermez le robinet. Vous aurez ainsi la certitude que l'eau qui alimente le lave-vaisselle est chaude. Sélectionnez l'option <b>Wash Temp Boost</b> si elle disponible.</li> </ul>
	Faible pression d'eau temporaire	<ul style="list-style-type: none"> <li>Ouvrez un robinet. Le débit d'eau est-il plus faible que d'habitude? Si tel est le cas, attendez que la pression revienne à la normale avant d'utiliser votre lave-vaisselle.</li> </ul>
	Coupure anti-refoulement ou broyeur à déchets obstrués	<ul style="list-style-type: none"> <li>Nettoyez la coupure anti-refoulement ou rincez le broyeur à déchets.</li> </ul>
	Chargement incorrect des paniers	<ul style="list-style-type: none"> <li>Assurez-vous que les articles de grande dimension ne bloquent pas le distributeur détergent ou les bras gicleurs. Reportez-vous à la section <i>Chargement des paniers du lave-vaisselle</i>.</li> <li>Lorsque de gros ustensiles sont placés dans le panier à couverts, ne montez pas ce dernier sur la porte (certains modèles). Montez-le plutôt sur le panier inférieur.</li> </ul>
Détergent donnant de mauvais résultats		<ul style="list-style-type: none"> <li>Utilisez un détergent reconnu comme <b>Cascade Complete® All-in-1 ActionPacs™</b></li> </ul>
Taches et pellicule sur les verres et les couverts	Eau extrêmement dure	<ul style="list-style-type: none"> <li>Utilisez le produit de rinçage <b>Cascade® Rinse Aid™</b> pour faire disparaître les taches et prévenir la formation d'une pellicule.</li> <li>Si l'eau est très dure, un adoucisseur peut s'avérer nécessaire.</li> </ul>
	Basse température de l'eau	<ul style="list-style-type: none"> <li>Assurez-vous que la température de l'eau atteint au moins 49 °C (120 °F).</li> </ul>
	Le lave-vaisselle est mal ou trop chargé	<ul style="list-style-type: none"> <li>Placez la vaisselle dans l'appareil de la façon indiquée à la section <i>Chargement des paniers du lave-vaisselle</i>.</li> </ul>
	Détergent en poudre trop vieux ou humide	<ul style="list-style-type: none"> <li>Utilisez du détergent frais.</li> </ul>
	Distributeur de produit de rinçage vide	<ul style="list-style-type: none"> <li>Remplissez avec un produit de rinçage tel que <b>Cascade® Rinse Aid™</b>.</li> </ul>
	Trop peu de détergent ou détergent donnant de mauvais résultats	<ul style="list-style-type: none"> <li>Assurez-vous d'utiliser une quantité correcte de détergent reconnu.</li> </ul>
	Assurez-vous d'utiliser une quantité correcte de détergent reconnu.	



<i>Problème</i>	<i>Causes possibles</i>	<i>Correctifs</i>
<i>Voile sur la verrerie</i>	Combinaison d'une eau trop douce et de trop de détergent	<ul style="list-style-type: none"> <li>Ceci est une « attaque chimique » et est irréversible. Pour éviter ce phénomène, utilisez moins de détergent si votre eau est douce. Lavez la verrerie sur le programme le plus court possible.</li> </ul>
	Détergent sans phosphate peu efficace	<ul style="list-style-type: none"> <li>Voir <i>Une pellicule blanche sur la verrerie, la vaisselle en et les surfaces internes du lave-vaisselle</i> en dans la section <i>Dépannage</i>.</li> </ul>
	Température de l'eau entrant dans le lave-vaisselle est supérieure à 150°F (66°C)	<ul style="list-style-type: none"> <li>Ceci pour être une « attaque chimique ». Abaissez la température de l'eau.</li> </ul>
<i>Mousse dans la cuve</i>	Utilisation d'un détergent non approprié	<ul style="list-style-type: none"> <li>Pour éviter la formation de mousse, n'utilisez qu'un détergent conçu pour les lave-vaisselle automatiques. L'utilisation des détergents pour lave-vaisselle <i>Cascade®</i> est approuvée dans tous les lave-vaisselles GE.</li> <li>Pour faire disparaître la mousse de la cuve, ouvrez le lave-vaisselle et laissez-la se dissiper. Évacuez l'eau en appuyant sur Start et fermant la porte. Attendez 30 secondes. Ouvrez la porte, appuyez sur Start pendant 3 secondes, puis fermez la porte. Répétez au besoin.</li> </ul>
	 Renversement de produit de rinçage	<ul style="list-style-type: none"> <li>Essuyez immédiatement le produit de rinçage renversé.</li> </ul>
<i>Il reste du détergent dans les distributeurs</i>	La vaisselle ou des ustensiles empêche l'accès au compartiment à détergent	<ul style="list-style-type: none"> <li>Repositionnez la vaisselle afin que l'eau provenant du bras inférieur puisse atteindre le distributeur de détergent. Reportez-vous à la section <i>Chargement des paniers du lave-vaisselle</i>.</li> <li>Repositionnez les ustensiles longs ou l'argenterie lourde susceptible de bloquer l'ouverture du couvercle du distributeur. Consultez la section <i>Chargement du panier à argenterie</i>.</li> </ul>
<i>Marques noires ou gris très sur la vaisselle</i>	Frottement d'ustensiles en aluminium sur la vaisselle	<ul style="list-style-type: none"> <li>Faites disparaître ces marques à l'aide d'un produit nettoyant abrasif doux.</li> </ul>
<i>La vaisselle ne sèche pas</i>	Basse température de l'eau	<ul style="list-style-type: none"> <li>Assurez-vous que la température de l'eau qui alimente le lave-vaisselle atteint au moins 49 °C (120 °F).</li> <li>Sélectionnez l'option <i>Heated Dry</i>.</li> <li>Sélectionnez les options <i>Wash Temp Boost</i>.</li> <li>Sélectionnez un programme dont l'action de lavage est plus puissante, comme <i>Wash Temp Sani (Sanitize)</i> or <i>Heavy</i>.</li> </ul>
	Le robinet d'eau chaude est peut-être fermé	<ul style="list-style-type: none"> <li>Assurez-vous que le robinet d'eau chaude (habituellement situé sous l'évier) est ouvert.</li> </ul>
	Choix du cycle	<ul style="list-style-type: none"> <li>Il faut changer de cycle si vous utilisez un cycle léger qui utilise une basse température d'eau et offre par conséquent une performance de séchage limitée.</li> </ul>
	Achèvement des cycles	<ul style="list-style-type: none"> <li>Laisser les cycles se terminer en entier. Consulter la rubrique <i>Durées de cycle longues</i> dans la présente section <i>Dépannage</i>.</li> </ul>
<i>Le panneau de commande a réagi aux entrées, mais le lave-vaisselle ne s'est jamais rempli d'eau</i>	La porte n'est peut-être pas totalement fermée.	<ul style="list-style-type: none"> <li>Assurez-vous que la porte soit bien fermée.</li> </ul>
	Le robinet d'eau est peut-être fermé	<ul style="list-style-type: none"> <li>Assurez-vous que le robinet d'eau (normalement sous l'évier) soit ouvert.</li> </ul>
<i>Taches à l'intérieur de la cuve</i>	Certains aliments à base de tomate peuvent causer des taches rouge très	<ul style="list-style-type: none"> <li>L'utilisation du cycle <i>Steam</i> (certains modèles) après l'ajout de vaisselle à la charge peut réduire la sévérité des taches.</li> </ul>
	Taches de thé ou de café	<ul style="list-style-type: none"> <li>Faites disparaître ces taches à la main à l'aide d'une solution contenant une 1/2 tasse de javellisant et 3 tasses d'eau chaude. <b>REMARQUE</b> : N'utilisez pas de javellisants sur la cuve ou la porte intérieure en acier inoxydable.</li> </ul>
	La présence d'une pellicule jaune ou brun tre peut être causée par des dépôts de fer dans l'eau	<ul style="list-style-type: none"> <li>Le seul moyen de corriger ce problème consiste à installer un filtre spécial sur la conduite d'eau. Veuillez communiquer avec un fournisseur d'adoucisseurs d'eau.</li> </ul>
Pellicule blanch tre sur les surfaces internes – dépôts de minéraux causés par l'eau dure	<ul style="list-style-type: none"> <li>GE recommande l'utilisation du produit de rinçage <i>Cascade® Rinse Aid™</i> pour empêcher la formation de dépôts de minéraux causés par l'eau dure.</li> <li>Faites fonctionner le lave-vaisselle en y versant de l'acide citrique pour enlever les dépôts de minéraux. Vous pouvez acheter ce produit au service des pièces de GE (n° de pièce WD35X151). Pour obtenir les renseignements pour commander, reportez-vous à la dernière page.</li> </ul>	

### **⚠ ATTENTION**

Avant de nettoyer l'intérieur de l'appareil, attendez au moins 20 minutes après la fin d'un programme de lavage pour permettre à l'élément chauffant de refroidir. Sinon, vous risquez de vous brûler.

## Avant d'appeler un réparateur...

Problème	Causes possibles	Correctifs	
<i>Le lave-vaisselle ne fonctionne pas</i>	Un fusible est grillé ou le disjoncteur est déclenché	<ul style="list-style-type: none"> <li>Remplacez le fusible ou réenclenchez le disjoncteur. Débranchez tous les autres électroménagers du circuit.</li> </ul>	
	L'alimentation électrique est coupée	<ul style="list-style-type: none"> <li>Dans certaines installations, l'alimentation électrique du lave-vaisselle est commandée par un interrupteur mural, souvent placé à côté de l'interrupteur du broyeur à déchets. Assurez-vous que l'interrupteur est à ON (Marche).</li> </ul>	
	Les commandes sont verrouillées	<ul style="list-style-type: none"> <li>Déverrouillez les commandes. Voir la section <i>Pour démarrer</i>.</li> </ul>	
<i>Les voyants du tableau de commande s'éteignent lorsque vous réglez les commandes</i>	Délai trop long entre les choix des touches	<ul style="list-style-type: none"> <li>Vous avez un délai de 30 secondes pour appuyer sur chaque touche. Pour allumer à nouveau le tableau de commande, appuyez sur une touche ou déverrouillez, puis verrouillez la porte.</li> </ul>	
<i>Il reste de l'eau propre au fond de la cuve</i>	La coupure anti-refoulement est obstruée.	<ul style="list-style-type: none"> <li>Nettoyez la coupure anti-refoulement. Voir la section <i>Entretien et nettoyage</i></li> </ul>	
<i>Il reste de l'eau au fond de la cuve</i>	Le renvoi est bloqué	<ul style="list-style-type: none"> <li>Si vous avez une coupure anti-refoulement, nettoyez-la. Voir la section <i>Entretien et nettoyage</i>.</li> <li>Si l'eau du lave-vaisselle se vide dans un broyeur à déchets, faites fonctionner le broyeur pour le dégager.</li> <li>Vérifiez si l'évier de votre cuisine se vide correctement. S'il ne se vide pas, vous aurez peut-être besoin d'un plombier.</li> </ul>	
<i>Vapeur</i>	Ceci est normal	<ul style="list-style-type: none"> <li>De la vapeur s'échappe de l'évent pendant le lavage, le séchage et la vidange de l'eau. Elle est nécessaire pour le séchage.</li> </ul>	
<i>Le voyant SANITIZED ne s'allume pas à la fin du programme (programme SANI WASH seulement)</i>	Vous avez ouvert la porte et le programme a été interrompu pendant ou après le cycle de lavage principal	<ul style="list-style-type: none"> <li>Il ne faut pas interrompre le programme pendant ou après le cycle de lavage principal.</li> </ul>	
	La température de l'eau qui alimente le lave-vaisselle est trop basse	<ul style="list-style-type: none"> <li>Augmentez le réglage du chauffe-eau pour que la température de l'eau varie entre 49 °C (120 °F) et 66°C (150 °F).</li> </ul>	
<i>Bruit</i>	Bruits de fonctionnement normaux: Ouverture du distributeur de détergent Entrée de l'eau dans le lave-vaisselle Arrêt et mise en marche du moteur à différents moments pendant le programme Les bras gicleurs démarrent et s'arrêtent à différents moments. Bruit de la pompe pendant la vidange de l'eau La pompe de vidange démarre et s'arrête à différents moments.	<ul style="list-style-type: none"> <li>Tous ces bruits sont normaux. Aucun correctif n'est requis.</li> </ul>	
	Bruit causé par la vaisselle lorsque le bras gicleur tourne	<ul style="list-style-type: none"> <li>Assurez-vous que les articles sont bien placés dans les paniers. Reportez-vous à la section <i>Chargement des paniers du lave-vaisselle</i>. Assurez-vous que les articles à laver ne dépassent pas au-delà du support de manière à ce qu'ils n'entrent pas en contact avec le bras gicleur pendant qu'il tourne.</li> </ul>	
	Les ustensiles frottent bruyamment contre la porte pendant le lavage.	<ul style="list-style-type: none"> <li>Les ustensiles de grande taille peuvent être placés dans le panier supérieur pour éviter qu'ils percutent contre la porte intérieure durant le cycle de lavage.</li> </ul>	
	<i>Une pellicule blanche sur la verrerie, la vaisselle et les surfaces internes du lave-vaisselle</i>	Ce problème peut être causé par un détergent sans phosphate	<ul style="list-style-type: none"> <li>Pour éliminer cette pellicule blanche, faites fonctionner votre lave-vaisselle avec de l'acide citrique. Utilisez la trousse d'acide citrique n°WD35X151 disponible dans votre magasin le plus proche ou en ligne. Versez l'acide citrique dans le compartiment à détergent et fermez le couvercle. Placez dans le lave-vaisselle, la verrerie et la vaisselle propres mais recouvertes de la pellicule blanche. Ne mettez pas l'argenterie et les autres articles métalliques dans le lave-vaisselle. Faites fonctionner le lave-vaisselle sans détergent. La verrerie, la vaisselle et les surfaces intérieures du lave-vaisselle devraient ressortir propres. Un rinçage au vinaigre peut également être utilisé. Versez 1 tasse de vinaigre dans le lave-vaisselle après ouverture du compartiment à détergent et laissez le lave-vaisselle terminer le programme. L'utilisation d'un agent de rinçage tel que <i>Cascade® Rinse Aid™</i> peut aider à minimiser la formation de cette pellicule. De plus, utilisez un détergent reconnu comme <i>Cascade Complete® All-in-1 ActionPacs™</i> qui peut éviter la formation de cette pellicule.</li> </ul>

# Garantie GE sur les lave-vaisselle.

www.electromenagersge.ca



Toutes les réparations sous garantie seront effectuées par nos centres de réparation ou nos réparateurs autorisés. Appelez le 1.800.561.3344. Veuillez fournir le numéro de série et le numéro de modèle lorsque vous appelez pour obtenir le service.

Agrafez le reçu d'achat ici. Pour obtenir le service sous garantie, vous devrez fournir la preuve de l'achat original.

Pour le diagnostic, la réparation de votre appareil peut nécessiter l'utilisation du port de données embarqué. Celui-ci permet au technicien de réparation GE de diagnostiquer rapidement des problèmes avec votre appareil. Il permet également à GE d'améliorer ses produits en fournissant à ces derniers des informations sur votre appareil. Si vous ne voulez pas que les données de votre appareil soient envoyées à GE, veuillez demander à votre technicien de NE PAS soumettre les données à GE pendant la réparation.

## Pour une période de : GE remplacera :

Un an à partir de la date d'achat initial

Toute pièce du lave-vaisselle qui se casse à cause d'un vice de matériau ou de main-d'oeuvre. Au cours de cette **année de garantie limitée**, GE fournira, **gratuitement**, toute la main-d'oeuvre et le service à la maison nécessaires pour remplacer la pièce défectueuse.

## Ce qui n'est pas couvert :

- Tout déplacement de service chez vous pour vous apprendre à utiliser votre lave-vaisselle.
- Toute mauvaise installation.  
Si vous avez un problème d'installation, appelez votre revendeur ou un installateur. Vous êtes responsable de fournir une bonne alimentation électrique, un bon échappement et tout autre branchement nécessaire.
- Toute panne du produit s'il a été malmené, mal utilisé ou utilisé à une autre fin que celle prévue ou utilisé commercialement.
- Tout remplacement des fusibles de la maison ou tout rebranchement des disjoncteurs.
- Tout dommage occasionné par un accident, un incendie, une inondation ou un acte de Dieu.
- Tout dommage subi après la livraison.
- Le service s'il est impossible d'avoir accès au produit pour ce faire.

**EXCLUSION DE GARANTIES IMPLICITES** – Votre seul et unique recours est la réparation du produit selon les dispositions de cette Garantie limitée. Toutes les garanties implicites, incluant les garanties de commercialité et d'adéquation à un usage spécifique, sont limitées à une année ou à la période la plus courte autorisée par la législation.

Cette garantie est valable pour le premier propriétaire et tout autre propriétaire du produit s'il acheté au Canada pour utilisation domestique au Canada. Le service à domicile sous garantie sera fourni là où il est disponible et dans les régions que Mabe considère que l'offre de service est raisonnable.

**LE GARANT N'EST PAS RESPONSABLE DES DOMMAGES CONSÉQUENTS.**

**Garant : MC Commercial, Burlington, ON, L7R 5B6**

## Soutien au consommateur.

---



### *SiteWeb appareils électroménagers GE* [www.electromenagersge.ca](http://www.electromenagersge.ca)

---

Vous avez une question ou vous avez besoin d'aide pour votre appareil électroménager? Contactez-nous par Internet au site [www.electromenagersge.ca](http://www.electromenagersge.ca) 24 heures par jour, tous les jours de l'année.



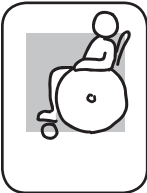
### *Service de réparations*

---

**1.800.561.3344**

Service de réparations GE est tout près de vous.

Pour faire réparer votre électroménager GE, il suffit de nous téléphoner.

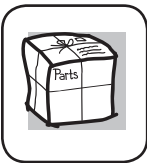


### *Studio de Conception Réaliste*

---

Sur demande, GE peut fournir une brochure sur l'aménagement d'une cuisine pour les personnes à mobilité réduite.

Écrivez : Directeur, Relations avec les consommateurs, MC Commercial  
Bureau 310, 1 Factory Lane  
Moncton, N.B. E1C 9M3



### *Pièces et Accessoires*

---

Ceux qui désirent réparer eux-mêmes leurs électroménagers peuvent recevoir pièces et accessoires directement à la maison (cartes VISA, MasterCard et Discover acceptées).

**Les directives stipulées dans le présent manuel peuvent être effectuées par n'importe quel utilisateur. Les autres réparations doivent généralement être effectuées par un technicien qualifié. Soyez prudent, car une réparation inadéquate peut affecter le fonctionnement sécuritaire de l'appareil.**

Vous trouverez dans les pages jaunes de votre annuaire le numéro fournisseur de pièces Mabe le plus proche. Autrement, appelez-nous au 800.661.1616.



### *Contactez-nous*

---

Si vous n'êtes pas satisfait du service après-vente dont vous avez bénéficié  
Premièrement, communiquez avec les gens qui ont réparé votre appareil.

Ensuite, si vous n'êtes toujours pas satisfait envoyez tous les détails—numéro de téléphone compris—au  
Directeur, Relations avec les consommateurs, Mabe Canada Inc  
Bureau 310, 1 Factory Lane  
Moncton, N.B. E1C 9M3



### *Inscrivez votre appareil électroménager*

---

[electromenagersge.ca](http://electromenagersge.ca)

Inscrivez votre appareil électroménager en direct, aussitôt que possible. Cela améliorera nos communications et notre service après-vente. Vous pouvez également nous envoyer par la poste le formulaire d'inscription joint à votre documentation.