

Installation Instructions

Dishwasher

La section française commence après la section anglaise

If you have questions, call 1-800-561-3344 or visit our website at: www.GEAppliances.ca



BEFORE YOU BEGIN

Read these instructions completely and carefully.

IMPORTANT — Observe all governing codes and ordinances.

- **Note to Installer** — Be sure to leave these instructions for the consumer's and local inspector's use.
- **Note to Consumer** — Keep these instructions with your Owner's Manual for future reference.
- **Skill Level** — Installation of this dishwasher requires basic mechanical and electrical skills. **Proper installation is the responsibility of the installer. Product failure due to improper installation is not covered under the GE Appliance Warranty.**
- **Completion Time** — **1 to 3 Hours.** New installations require more time than replacement installations.

IMPORTANT — The dishwasher **MUST** be installed to allow for future removal from the enclosure if service is required.

If you received a damaged dishwasher, you should immediately contact your dealer or builder.

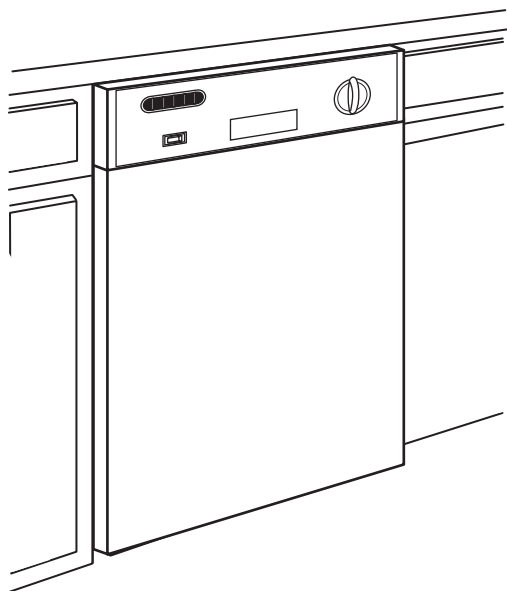
FOR YOUR SAFETY

Read and observe all **CAUTIONS** and **WARNINGS** shown throughout these instructions. While performing installations described in this booklet, **gloves, safety glasses or goggles should be worn.**



WARNING

To reduce the risk of electrical shock, fire, or injury to persons, the installer must ensure that the dishwasher is completely enclosed at the time of installation.



**READ CAREFULLY.
KEEP THESE INSTRUCTIONS.**

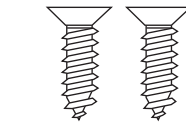
If you have an installation problem, contact your dealer or installer. You are responsible for providing adequate electrical, exhausting and other connecting facilities.

**FOR INSTALLATION INSTRUCTIONS
OF PORTABLE MODELS, REFER TO
PAGE 13.**

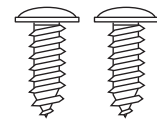
Installation Preparation

PARTS SUPPLIED:

- Two #8 Phillips flat head wood screws, 5/8" long to secure dishwasher to underside of countertop (in literature package).
- Two Phillips head, color matched toekick screws (in literature package).



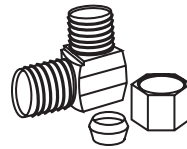
2 Wood Screws



2 Color Matched Toekick Screws

MATERIALS YOU WILL NEED :

- Ferrule, compression nut and 90° Elbow (3/8"NPT external thread on one end, opposite end sized to fit water supply)
- Thread seal tape
- UL Listed wire nuts (3)



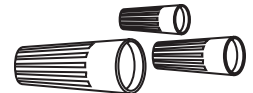
90° Elbow, Ferrule and Compression Nut



Hand Shut-Off Valve



Thread Seal Tape



Wire Nuts (3)

Materials For New Installations Only:

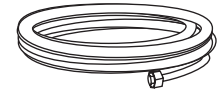
- Air gap for drain hose, if required
- Waste tee for house plumbing, if applicable
- Electrical cable or power cord, if applicable
- Screw type hose clamps
- Strain relief for electrical connection.
- Hand shut-off valve
- Water line 3/8" min. copper
- Coupler for extending drain line, if applicable



Waste Tee



Electrical Cable (or Power Cord, if applicable)



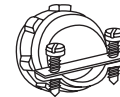
Hot Water line



Air Gap



Screw Type Hose Clamps



Strain Relief



Coupler

TOOLS YOU WILL NEED:

- Phillips head screwdriver
- 5/16" and 1/4" nutdriver
- 6" Adjustable wrench
- Level
- Carpenters square
- Measuring tape
- Safety glasses
- Flashlight
- Bucket to catch water when flushing the line
- Gloves

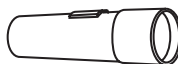
Phillips Head Screwdriver



1/4" and 5/16" Nut-driver



Level

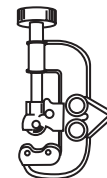


Flashlight

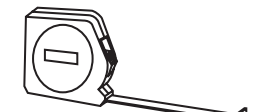
6" Adjustable Wrench



Tubing Cutter



Carpenters Square



Measuring Tape



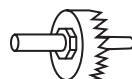
Bucket



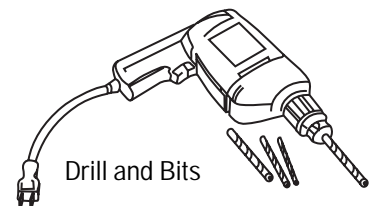
Safety Glasses



Gloves



Hole Saw Set



Drill and Bits

For New Installations Only:

- Tubing cutter
- Drill and appropriate bits
- Hole saw set

Installation Preparation

PREPARE DISHWASHER ENCLOSURE

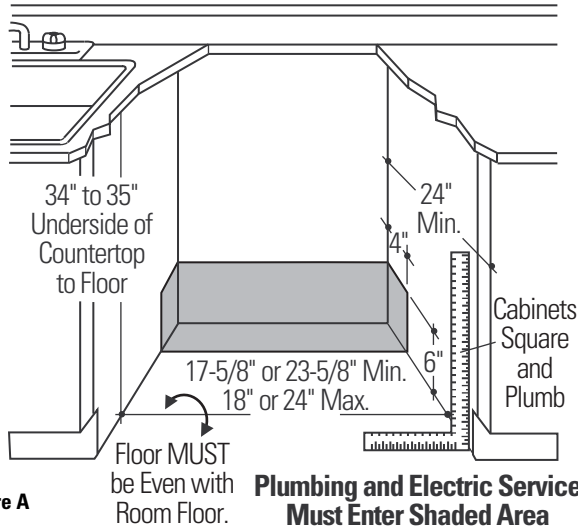


Figure A

Floor MUST be Even with Room Floor.

Plumbing and Electric Service Must Enter Shaded Area

- The rough cabinet opening must be at least 24" deep and 17-5/8" to 18" wide for 18" wide models, or 23-5/8" to 24" wide for 24" wide models. The opening should be 35" max. height.

- The dishwasher must be installed so that drain hose is no more than 10 feet in length for proper drainage.
- The dishwasher must be fully enclosed on the top, sides and back, and must not support any part of the enclosure.

CLEARANCES: When installed into a corner, allow 2" min. clearance between dishwasher and adjacent cabinet, wall or other appliances. Allow 25-5/8" min. clearance from the front of the dishwasher for door opening.

Figure B

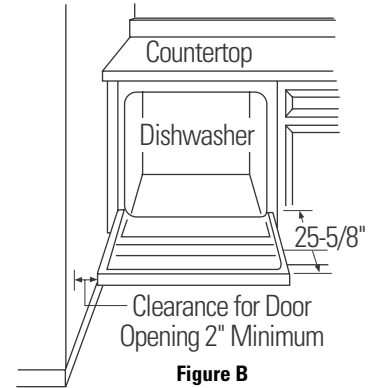


Figure B

Note: ADA installation, (32-1/2") beneath 34" high countertops may be accomplished by adjusting the toe-kick and leveling legs.

DRAIN REQUIREMENTS

- Follow local codes and ordinances.
- Do not exceed 10 feet distance to drain.
- Do not connect drain lines from other devices to the dishwasher drain hose.
- Dishwasher must be connected to waste line with an air gap (not supplied) or 32" minimum high drain loop, depending on local codes and ordinances to prevent back flow into the dishwasher.
- Air gap must be used if waste tee or disposer connection is less than 18" above the floor to prevent siphoning.

DRAIN PREPARATION

The type of drain installation depends on answers to the following questions:

- Do local codes or ordinances require an air gap?
- Will waste tee or disposer connection be less than 18" above the floor?
- Will installation have a drain loop less than 32" above floor?

If the answer to **ANY** of the 3 questions above is **YES**, **Method 1 MUST be used**. Otherwise either Method 1 or Method 2 may be used. Figure C or Figure D.

CAUTION:

An air gap **MUST BE USED** if the drain hose is connected to waste tee or disposer lower than 18" above the floor.

Failure to provide the proper drain connection height with air gap or 32" minimum, high drain loop will result in improper draining of the dishwasher.

Method 1 – Air Gap with Waste Tee or Disposer

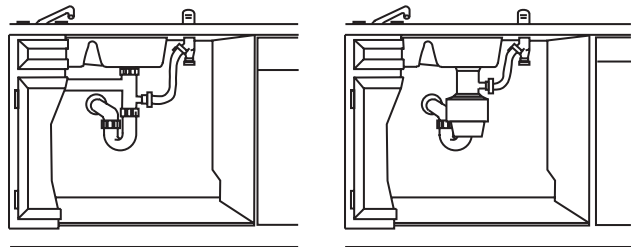


Figure C

Method 2 – High Drain with Waste Tee or Disposer

Provide a method to attach drain hose to underside of countertop.

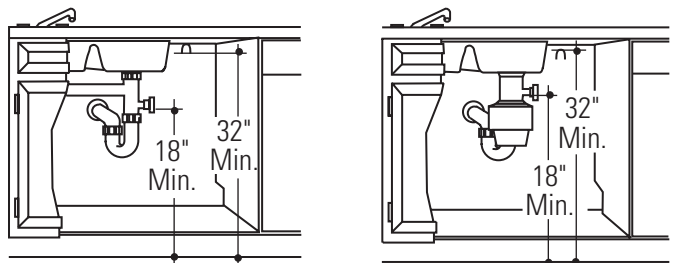


Figure D

Install waste tee or disposer and air gap according to manufacturer's instructions.

CABINET PREPARATION

- Drill a 1-1/2" dia. hole in the cabinet wall within the shaded areas shown in Figure A for the drain hose connection. The hole should be smooth with no sharp edges.

Installation Preparation

PREPARE ELECTRICAL WIRING



WARNING

FOR PERSONAL SAFETY: Remove house fuse or open circuit breaker before beginning installation. Do not use an extension cord or adapter plug with this appliance.

Electrical Requirements

- This appliance must be supplied with 120V, 60 Hz., and connected to an individual properly grounded branch circuit, protected by a 15 or 20 ampere circuit breaker or time delay fuse.
- Wiring must be 2 wire with ground.
- If the electrical supply does not meet the above requirements, call a licensed electrician before proceeding.

Grounding Instructions – Cable Direct

This appliance must be connected to a grounded metal, permanent wiring system, or an equipment grounding conductor must be run with the circuit conductors and be connected to the equipment grounding terminal or lead on the appliance.

Grounding Instructions – Power Cord Models

This appliance must be grounded. In the event of a malfunction or breakdown, grounding will reduce the risk of electrical shock by providing a path of least resistance for electric current. The plug must be plugged into an appropriate outlet that is installed and grounded in accordance with local codes and ordinances.



WARNING

The improper connection of the equipment grounding conductor can result in a risk of electric shock. Check with a qualified electrician or service representative if you are in doubt that the appliance is properly grounded.

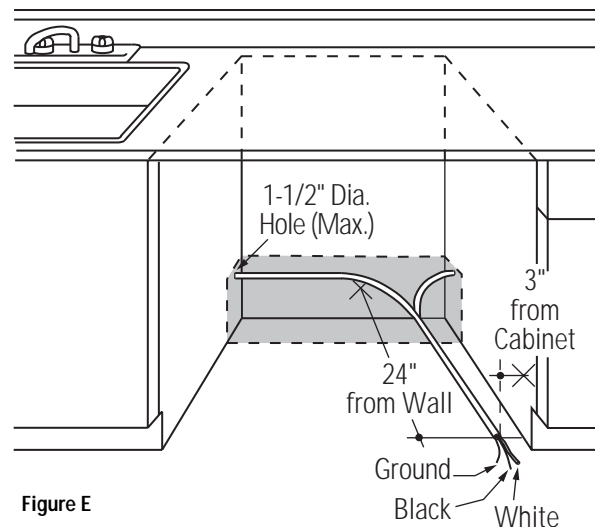


Figure E

Cabinet Preparation & Wire Routing

- The wiring may enter the opening from either side, rear or the floor within the shaded area.
- Cut a 1-1/2" max. dia. hole to admit the electrical cable. The hole must be free of sharp edges. If the cabinet wall is metal, the hole edge must be covered with a bushing.
- Cable direct connections may pass through the same hole as the drain hose and hot water line, if convenient. If cabinet wall is metal, the hole edge must be covered with a bushing. NOTE: Power cords with plug must pass through a separate hole.

Electrical Connection to Dishwasher

Electrical connection is on the right front of dishwasher.

- For cable direct connections the cable must be routed as shown in Figure E. Cable must extend a minimum of 24" from the rear wall.
- For power cord connections, install a 3-prong grounding type receptacle. The power-supply receptacle for the appliance shall be installed in a cabinet or on a wall adjacent to the undercounter space in which the appliance is to be installed.

Installation Instructions

PREPARE HOT WATER LINE

- The line may enter from either side, rear or floor within the shaded area shown in Figure F.
- The line may pass through the same hole as the electrical cable and drain hose. Or, cut an additional 1-1/2" dia. hole to accommodate the water line. If power cord with plug is used, water line must not pass through power cord hole.

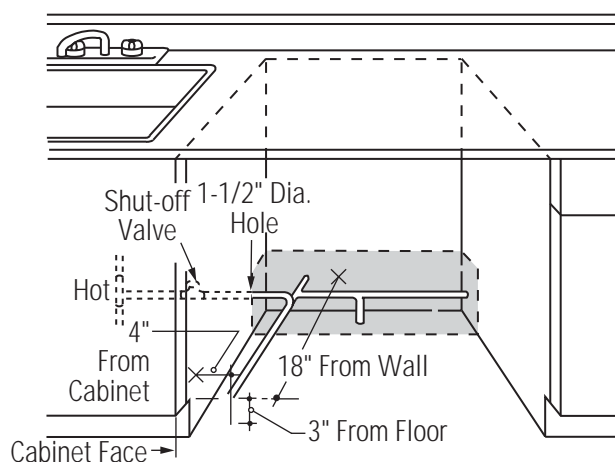


Figure F

Water Line Connection

- Turn off the water supply.
- Install a hand shut-off valve in an accessible location, such as under the sink. (Optional, but strongly recommended and may be required by local codes.)
- Water connection is on the left side of the dishwasher. Install the hot water inlet line, using no less than 3/8" O.D. copper tubing. Route the line as shown in Figure F and extend forward at least 18" from rear wall.
- Adjust water heater for 120°F to 150°F temperature.
- Flush water line to clean out debris.
- The hot water supply line pressure must be 20-120 PSI.



BEFORE YOU BEGIN

Locate and set aside the package containing 2 Phillips head countertop mounting screws and 2 additional toe-kick screws (located in the literature package).

STEP 1 CHECK DOOR BALANCE

To check the door balance, hold the top of the dishwasher firmly.

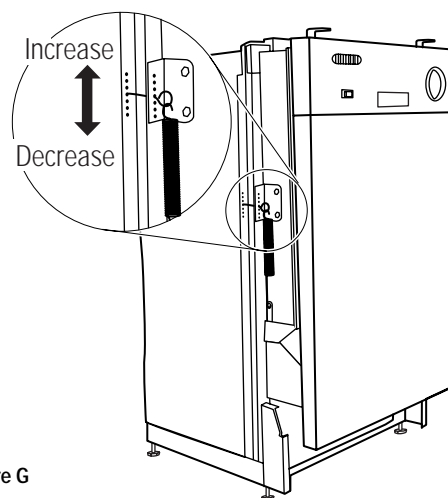


Figure G

- Open the door slowly, if the door drops when released, increase spring tension. If the door closes when released, decrease tension.
- Pull the spring adjustment pin out of the holes, insert in the next highest or lowest hole and test again.
- Adjust both door springs to the same tension.
- Continue moving the spring pin until door is balanced.



CAUTION:

Opening the door will cause the dishwasher to tip forward. **Do not open the door until you are ready to install the dishwasher.** If it is necessary to open the door, hold the top of the dishwasher securely with one hand and hold the door with the other hand.



Installation Instructions

STEP 2 ADJUST LEVELING LEGS

- Move the dishwasher close to the installation location and lay it on its back.

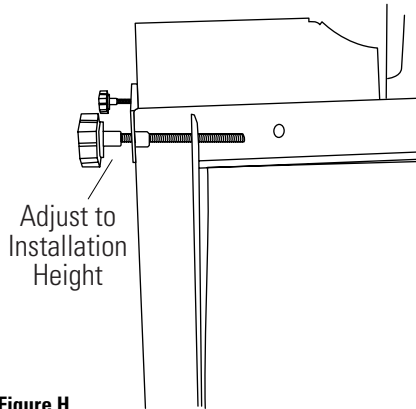


Figure H

- Measure installation height and dishwasher height. Extend leveling legs out from the dishwasher base, 1/4" less than installation height.

STEP 3 REMOVE TOEKICK

- Remove the 4 toekick screws. Lift off the 2 piece toekick.

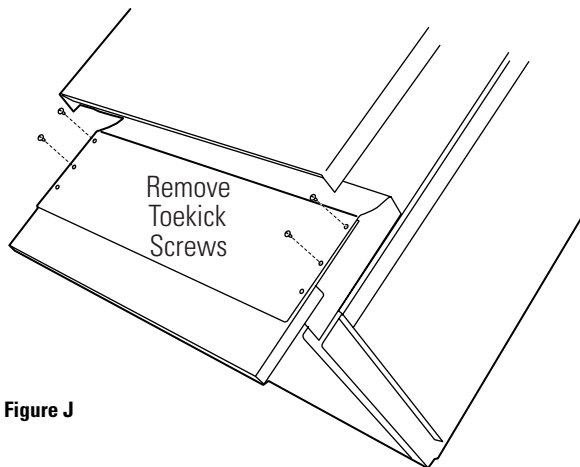


Figure J

STEP 4 INSTALL POWER CORD

Skip this step if dishwasher will be direct wired. Use power cord kit WX09X70910 available for purchase from an authorized GE Appliances dealer. The power cord and connections must comply with the National Electrical Code, Section 422 and/or local codes and ordinances.

- Recommended power cord length is 54" min. and 64" max.

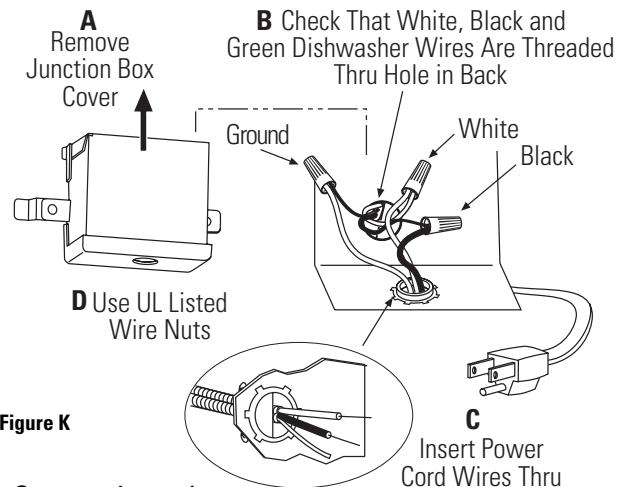


Figure K

- Connect incoming power cord white (or ribbed) to dishwasher white, black (or smooth) to black and ground to dishwasher green wire. Use UL listed wire nuts of appropriate size.
- Replace junction box cover. Be sure wires are not pinched under the cover.

STEP 5 INSTALL 90° ELBOW

- Wrap 90° elbow with thread seal tape. **Do not use plumber's putty.**
- Install a 90° elbow onto the water valve.

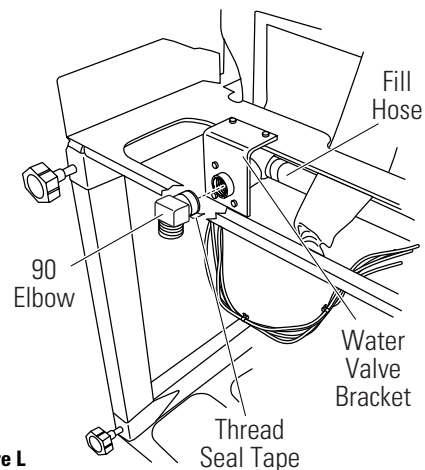


Figure L

- Do not over tighten 90° elbow, water valve bracket could bend or water valve fitting could break.
- Position the end of the elbow to face the rear of the dishwasher.

Installation Instructions

STEP 6 POSITION WATER LINE AND HOUSE WIRING

- Position water supply line and house wiring on the floor of the opening to avoid interference with base of dishwasher and components under dishwasher.

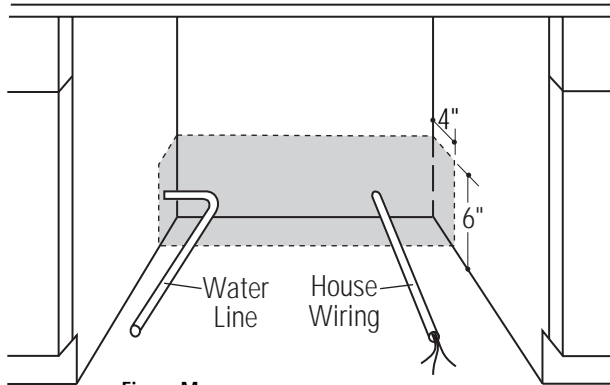


Figure M

STEP 7 INSERT DRAIN HOSE THROUGH CABINET

- Upright the dishwasher and position in front of the opening. Insert drain hose into cabinet wall hole. If a power cord is used, guide the end through a separate hole.

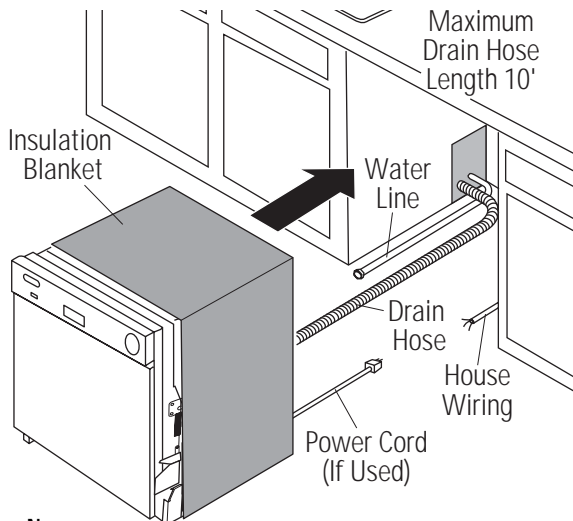


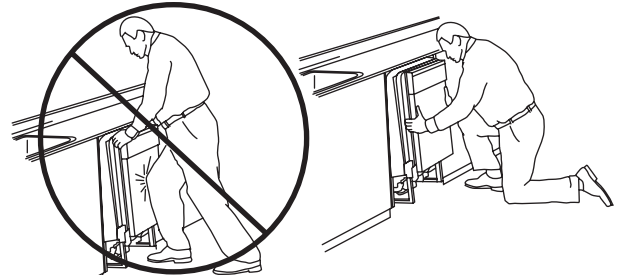
Figure N

TIP: Position water line and house wiring on the floor to avoid interference with base of dishwasher.

STEP 8 SLIDE DISHWASHER PARTIALLY INTO CABINET

DO NOT PUSH AGAINST FRONT PANEL WITH KNEES. DAMAGE WILL OCCUR.

- Slide dishwasher into the opening a few inches at a time.



Do Not Push Against Front Door Panel With Knee. Damage to The Door Panel Will Occur.

Figure O

- As you proceed, pull the drain hose through the opening under the sink. Stop pushing when the dishwasher is a few inches forward of adjacent cabinetry.
- Make sure drain hose is not kinked under the dishwasher and there is no interference with the water line and wiring or any other component.

Installation Instructions

STEP 9 POSITION DISHWASHER UNDER COUNTERTOP

- Check to be sure that wires are secure under the dishwasher and not pinched or in contact with door springs or other dishwasher components.

TIP: Check tub insulation blanket, if equipped. It should be positioned so it is not bunched up or interfering with door springs. Check by opening and closing the door.

- Push dishwasher into cabinet. The front corners of the dishwasher door should be flush with cabinet doors. Be careful not to dent front panel with knees or damage countertop or cabinets with dishwasher parts.



Do Not Push Against Front Door Panel With Knee. Damage to The Door Panel Will Occur.

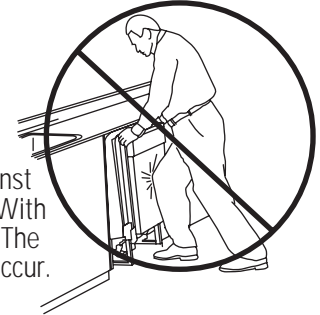


Figure P

STEP 10 LEVEL DISHWASHER

IMPORTANT – Dishwasher must be level for proper dish rack operation and wash performance.

- Place level on door and rack track inside the tub as shown to check that the dishwasher is level.

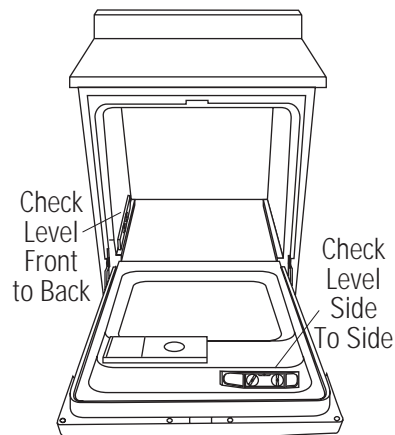


Figure Q

- Level the dishwasher by adjusting the four leveling legs individually.

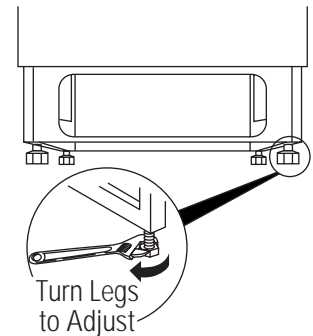


Figure R

TIP: Pull lower rack out, about halfway. Check to be sure the rack does not roll forward or back into dishwasher. If the rack rolls in either direction, the dishwasher must be leveled again.

- If door hits the tub, the dishwasher is not installed correctly. Adjust leveling legs to align door to tub.

Installation Instructions

STEP 11 SECURE DISHWASHER TO CABINET

The dishwasher must be secured to the countertop.

- Position the dishwasher so that the tub flange aligns with the front face of the cabinet frame.

IMPORTANT: Check to be sure the dishwasher is centered in the opening and there is no interference with adjacent cabinets when opening or closing the door.

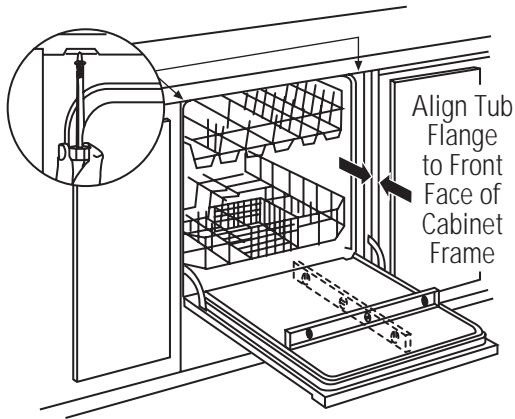


Figure S

- Fasten the dishwasher to the underside of the countertop with the 2 Phillips screws provided.

IMPORTANT – Drive screws straight and flush. Protruding screw heads will scratch the top of the control panel and can interfere with door closing.

STEP 12 CONNECT WATER SUPPLY

Connect water supply line to 90° elbow.

- Slide compression nut, then ferrule over end of water line.
- Insert water line into 90° elbow.
- Slide ferrule against elbow and secure with compression nut.

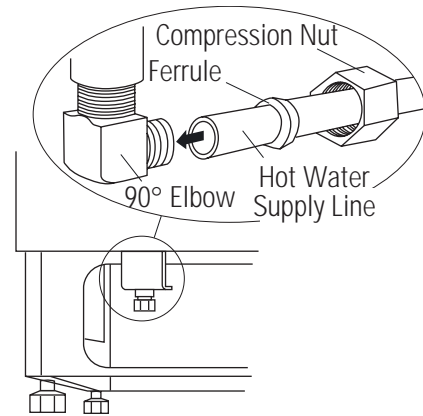


Figure T

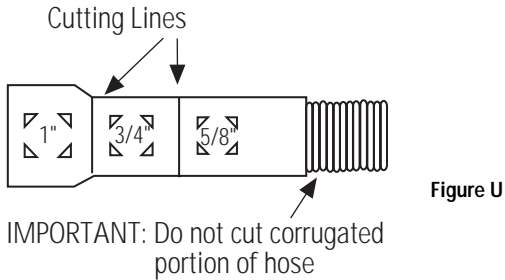
IMPORTANT – Check to be sure that door spring does not rub or contact the fill hose or water supply line. Test by opening and closing the door. Re-route the lines if a rubbing noise or interference occurs.

Installation Instructions

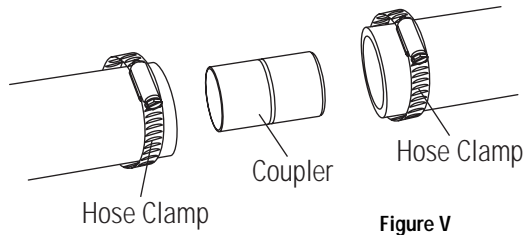
STEP 13 CONNECT DRAIN LINE

FOLLOW ALL LOCAL CODES AND ORDINANCES.

The drain hose molded end will fit 5/8", 3/4" or 1" diameter connections on the air gap, waste tee or disposer. Cut on the marked line as required for your installation.



- If a longer drain hose is required, add up to 42" of length for a total of 10 ft. to the factory installed hose. Use 5/8" or 7/8" inside diameter hose and a coupler to connect the two hose ends. Secure the connection with hose clamps.



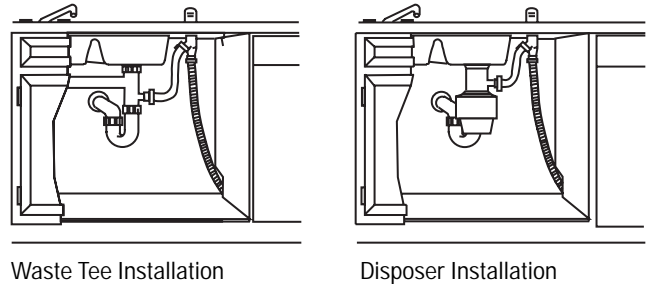
- Secure the drain hose to the air gap, waste tee or disposer with clamps.

NOTE: TOTAL DRAIN HOSE LENGTH MUST NOT EXCEED 10 FEET FOR PROPER DRAIN OPERATION.

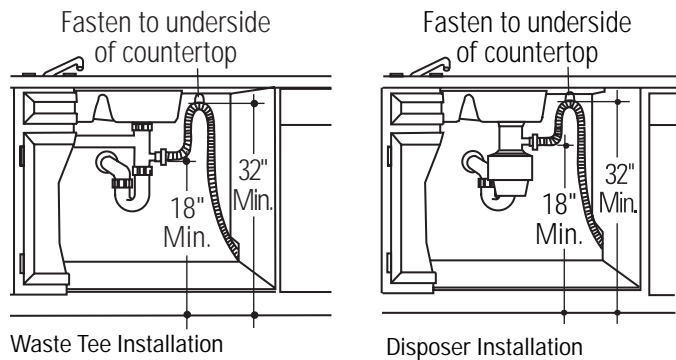
DRAIN LINE INSTALLATION

- Connect drain line to air gap, waste tee or disposer using either previously determined method.

Method 1 – Air gap with waste tee or disposer

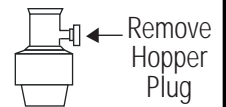


Method 2 – High drain loop with waste tee or disposer



IMPORTANT

— When connecting drain line to disposer, check to be sure that drain plug has been removed. **DISHWASHER WILL NOT DRAIN IF PLUG IS LEFT IN PLACE.**



TIP: Avoid unnecessary service call charges. Always be sure disposer drain plug has been removed before attaching dishwasher drain hose to the disposer.

Installation Instructions

STEP 14 CONNECT POWER SUPPLY

Skip this step if equipped with power cord.

Verify that power is turned off at the source.

- Remove junction box cover "A".
- Locate the three dishwasher wires, (white, black and green) with stripped ends. Insert dishwasher wires through the small hole in the junction box "B".
- Secure house wiring to the bottom of the junction box with a strain relief "C".
- Use wire nuts to connect incoming ground to green, white to white and black to black "D".
- Replace junction box cover "E". Check to be sure that wires are not pinched under the cover.

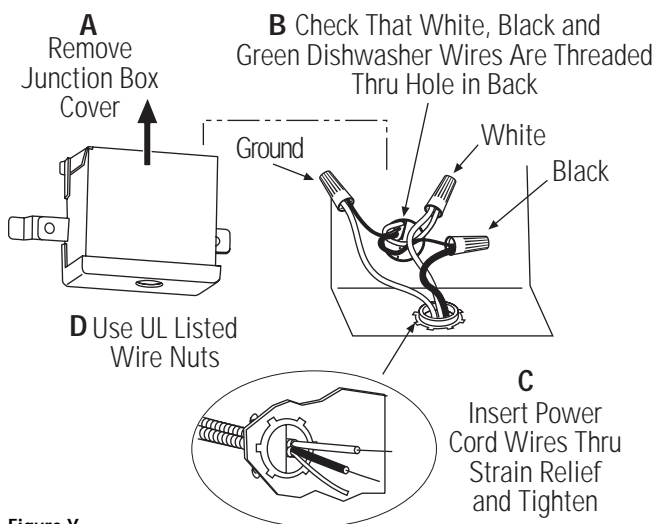


Figure Y

E. Replace Junction Box Cover



WARNING

If house wiring is not 2-wire with ground, a ground must be provided by the installer. When house wiring is aluminum, be sure to use UL Listed anti-oxidant compound and aluminum-to-copper connectors

STEP 15 PRE-TEST CHECKLIST

Review this list after installing your dishwasher to avoid charges for a service call that is not covered by your warranty.

- Check to be sure power is OFF.
- Open door and remove all foam and paper packaging.
- Locate the Owner's Manual in the literature package.
- Read the Owner's Manual for operating instructions.
- Check door opening and closing. If door does not open and close freely or tends to fall, check spring adjustments. See Step 1.
- Check to be sure that wiring is secure under the dishwasher, not pinched or in contact with door springs or other components. See Step 9.
- Check door alignment with tub. If door hits tub, level dishwasher. See Step 10.
- Pull lower rack out, about half way. Check to be sure it does not roll back or forward on the door. If the rack moves, adjust leveling legs. See Step 10.
- Check door alignment with cabinet. If door hits cabinet, reposition or relevel dishwasher. See Step 10.
- Verify water supply and drain lines are not kinked or in contact with other components. Contact with motor or dishwasher frame could cause noise. See Step 8.
- Turn on the sink hot water faucet and verify water temperature. Incoming water temperature must be between 120°F and 150°F. A minimum of 120°F temperature is required for best wash performance. See "Prepare Hot Water Line," page 5.
- Add 2 litres of water to the bottom of the dishwasher to lubricate the pump seal.
- Turn on water supply. Check for leaks. Tighten connections if needed.
- Remove protective film if present from the control panel and door.

Installation Instructions

STEP 16 DISHWASHER WET TEST

- Turn on power supply (or plug power cord into outlet, if equipped).
- Turn on your dishwasher (please refer to the Owner's Manual for instructions).
- Close door, select RINSE ONLY cycle and press START/CANCEL.
- Check to be sure that water enters the dishwasher. If water does not enter the dishwasher, check to be sure that water and power are turned on.
- Check for leaks under the dishwasher. If a leak is found, turn power supply off, then tighten connections. Restore power after leak is corrected.
- Check for leaks around the door. A leak around the door could be caused by door rubbing or hitting against adjacent cabinetry. Reposition the dishwasher if necessary. See Step 9.
- When the dishwasher is draining, check the drain lines. If leaks are found, turn power off at the breaker and correct plumbing as necessary. Restore power after corrections are made. See Step 12.
- Open dishwasher door and make sure most of the water has drained. If not, check that disposer plug has been removed and/or air gap is not plugged. See Step 13. Also check drain line for kinking.
- Run the dishwasher through another fill and drain cycle. Check for leaks and correct if required.

STEP 17 REPLACE TOEKICK

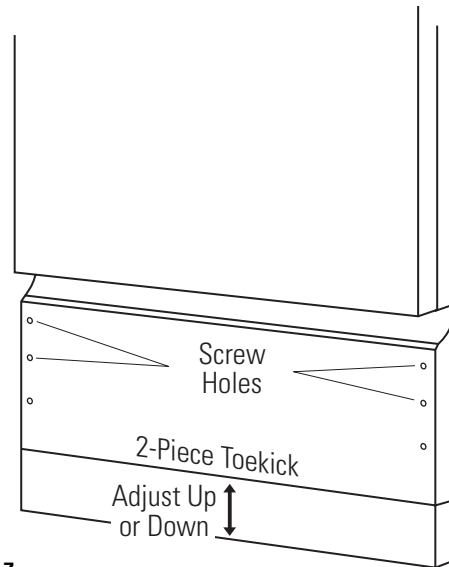


Figure Z

- Place 2-piece toekick against the legs of the dishwasher.
- Place the inner toekick piece (with slots) against the toekick bracket. The slots should align with toekick bracket screw holes. Allow the toekick to touch the floor.
- Place larger toekick over the inner piece and install the toekick screws.
- Use additional 2 screws for installations over 33-1/2" high.
- Use both toekick pieces for all installation heights.

STEP 18 LITERATURE

Be sure to leave complete literature package and installation instructions with consumer.

Installation Instructions

HOW TO USE THE UNICOUPLE (Portable Models Only)



Before operating your dishwasher the first time...

Attach the Faucet Adapter. The special faucet adapter supplied with your dishwasher must be assembled to the sink faucet before you can use your dishwasher.

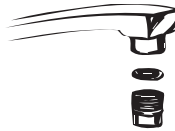
The faucet adapter is designed to fit standard spouts having internal or external threads. You will find the adapter and two washers in the "Faucet Adapter" packet in your dishwasher.

To install faucet adapter, first remove the old aerator or trim ring on your faucet spout.

If faucet has external threads:

Insert the thinner of the two washers into the faucet adapter and attach it to the faucet spout.

Tighten with pliers.



If faucet has internal threads:

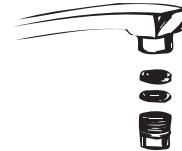
Insert both washers into the faucet adapter and attach it to the faucet spout.

Tighten with pliers.

If the faucet adapter threads do not match your faucet spout, your local hardware or plumbing supply

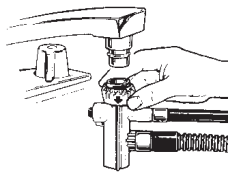
store normally has additional fittings to adapt your faucet spout to the special faucet adapter.

NOTE: A sink spray attachment hose can burst if it is installed on the same sink with your dishwasher. We suggest that you disconnect the sink spray attachment if your sink has one and plug the hole.



How to connect the Unicouple

1. Pull Unicouple and its hoses completely out from storage compartment located at rear of dishwasher and attach it to the faucet adapter.
2. Attach the Unicouple connector to the faucet adapter by depressing collar at the top of the connector. When Unicouple is all the way up onto the adapter, release the collar. It will then snap into position to lock the Unicouple in place.



PULL RING DOWN

The Unicouple's small hose carries water from the faucet to the dishwasher. Its large hose carries drain water to the sink. Be sure Unicouple is pointing toward the sink bowl drain opening and the sink drain is open for water that will drain from your dishwasher. If your dishwasher drains into a disposer, operate the disposer until it is completely empty before starting the dishwasher.

3. Turn hot water fully on before starting the dishwasher.

How to disconnect the Unicouple from faucet adapter

1. Turn off the hot water.
2. Release the water pressure by depressing the pressure release button. This relieves water pressure and protects you, and the room, from severe splashing.
3. Release Unicouple from faucet by depressing the collar at the top of the Unicouple connector.

How to disconnect your dishwasher

1. Remove the power cord plug from the wall receptacle.
2. Disconnect Unicouple from faucet adapter.

NOTE: When motor stops at the end of the final rinse, the Unicouple can be disconnected and returned to storage.

How to drain excess water from Unicouple hoses

If the sink is 34" or higher from the floor, the excess water in Unicouple hoses cannot be drained directly into the sink. It will be necessary to drain excess water from hoses into a bowl or suitable container that is held outside and lower than the sink.



Instructions d'installation

Lave-vaisselle

Si vous avez des questions, composez le 1-800-561-3344 ou consultez notre site Web :
www.electromenagersge.ca



AVANT DE COMMENCER

Lisez attentivement toutes ces instructions.

IMPORTANT

– Observez tous les codes et règlements en vigueur.

- **Avis à l'installateur** – N'oubliez pas de laisser ces instructions pour le consommateur et l'inspecteur local.
- **Avis au consommateur** – Conservez ces instructions avec votre Manuel de l'utilisateur pour vous y reporter ultérieurement.
- **Aptitude** – L'installation de ce lave-vaisselle exige des compétences de base en mécanique et en électricité. **L'installateur est responsable de la qualité de l'installation. La garantie des électroménagers GE ne couvre pas les défaillances du produit provoquées par une mauvaise installation.**
- **Durée de l'installation** – De 1 à 3 heures. L'installation initiale demande plus de temps que l'installation d'un appareil de remplacement.

IMPORTANT – Ce lave-vaisselle **DOIT** être installé de façon à pouvoir, par la suite, le sortir de l'enceinte si une réparation s'avère nécessaire.

Si vous avez reçu un lave-vaisselle endommagé, contactez immédiatement le détaillant ou le fabricant.

Accessoires en option – Consultez le Manuel de l'utilisateur pour voir les ensembles de panneaux personnalisés offerts.

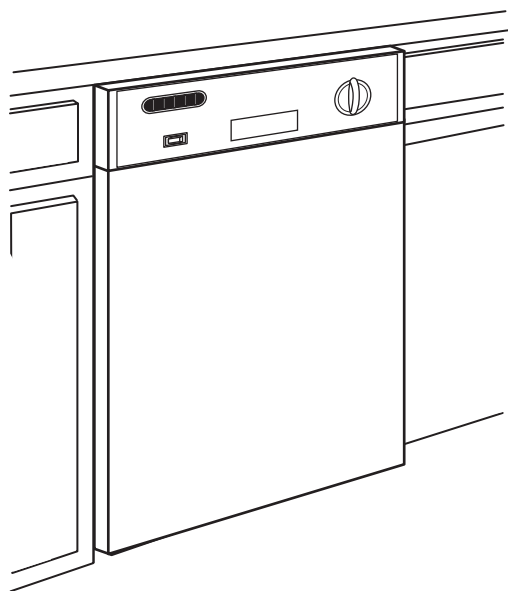
POUR VOTRE SÉCURITÉ

Lisez et respectez toutes les **MISES EN GARDE** et tous les **AVERTISSEMENTS** indiqués dans les instructions suivantes. Pendant l'installation décrite dans ce manuel, il est recommandé de porter des gants et des lunettes de sécurité.



AVERTISSEMENT

Pour réduire les risques de chocs électriques, d'un incendie ou de blessures, l'installateur doit veiller à ce que le lave-vaisselle soit inséré complètement dans l'enceinte après l'installation.



LISEZ ATTENTIVEMENT. CONSERVEZ CES INSTRUCTIONS.

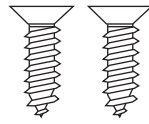
Si vous avez un problème d'installation, contactez votre détaillant ou votre installateur. Il vous incombe de fournir un branchement électrique, une évacuation et les autres branchements appropriés.

**POUR CONNAÎTRE LES INSTRUCTIONS
D'INSTALLATION DES MODÈLES
PORTATIFS, REPORTEZ-VOUS À LA
PAGE 13.**

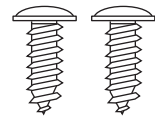
Préparatifs d'installation

PIÈCES FOURNIES :

- Deux vis à bois à tête plate Phillips n° 8, 5/8 po de longueur pour fixer le lave-vaisselle à la face inférieure du plan de travail (dans l'enveloppe de la documentation).
- Deux vis Phillips assorties à la couleur de la plinthe. (dans l'enveloppe de la documentation).



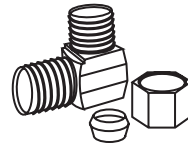
2 vis à bois



2 vis assorties au panneau inférieur

MATÉRIAUX NÉCESSAIRES :

- Bague d'extrémité, écrou à compression et coude à 90° (filetage extérieur de 3/8 po NPT à une extrémité, l'autre extrémité correspondant au tuyau d'alimentation en eau)
- Ruban d'étanchéité pour filetage
- Capuchons de connexion homologués UL (3)



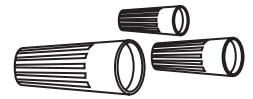
Coude de 90°
Bague d'extrémité et écrou à compression



Robinet d'arrêt



Ruban d'étanchéité pour filetage



Capuchons de connexion (3)

Matériaux pour une installation initiale seulement :

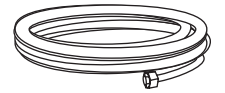
- Brise-vide pour tuyau flexible d'évacuation, au besoin
- Raccord en T pour la plomberie, s'il y a lieu
- Câble électrique ou cordon d'alimentation, s'il y a lieu
- Colliers de serrage à vis pour tuyau flexible
- Serre-câble pour connexion électrique
- Robinet d'arrêt
- Tuyau d'alimentation en eau de 3/8 po min. en cuivre
- Raccord pour rallonger le tuyau d'évacuation, s'il y a lieu



Raccord en T



Câble électrique (ou cordon d'alimentation, s'il y a lieu)



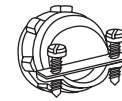
Tuyau d'eau chaude



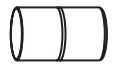
Brise-vide



Colliers de serrage à vis pour tuyau flexible



Serre-câble



Raccord

OUTILS NÉCESSAIRES :

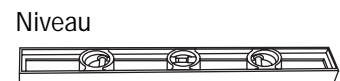
- Tournevis Phillips
- Tourne-écrou de 5/16 po et 1/4 po
- Clé à molette de 6 po
- Niveau
- Équerre de charpentier
- Ruban à mesurer
- Lunettes de sécurité
- Lampe de poche
- Seau pour attraper l'eau lors de la purge du tuyau
- Gants



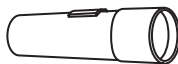
Tournevis Phillips



Tournevis à douille de 1/4 po et 5/16 po



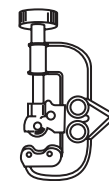
Niveau



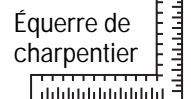
Lampe de poche



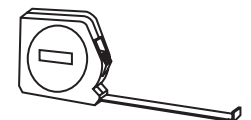
Clé à molette de 6 po



Coupe-tube



Équerre de charpentier



Ruban à mesurer

Pour une installation initiale seulement :

- Coupe-tube
- Perceuse et mèches appropriées
- Scie-cloche



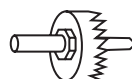
Seau



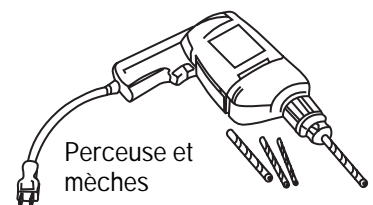
Lunettes de sécurité



Gants



Scie-cloche



Perceuse et mèches

Préparatifs d'installation

PRÉPARATION DE L'ENCEINTE DU LAVE-VAISSELLE

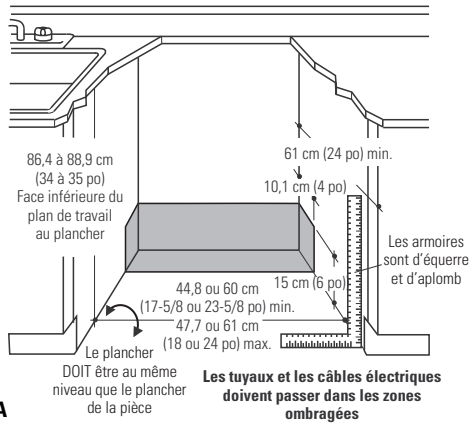


Figure A

- L'ouverture de l'armoire doit avoir au moins une profondeur de 61 cm (24 po) et une largeur de 44,8 à 45,7 cm/17-5/8 à 18 po pour les modèles 18po, ou de 60 à 61 cm/23-5/8 à 24 po pour les modèles 24po. L'ouverture doit avoir une hauteur maximale de 88,9 (35 po).

- Le lave-vaisselle doit être installé de façon que la longueur du tuyau flexible d'évacuation ne dépasse pas 3,04 m (10 pieds) afin d'obtenir une bonne évacuation.
- Le lave-vaisselle doit être complètement fermé sur le dessus, les côtés et à l'arrière et ne doit servir d'appui pour aucune partie de l'enceinte.

ESPACES LIBRES: En cas d'installation dans un coin, laissez un espace de 5,1 cm (2 po) minimum entre le lave-vaisselle et l'armoire, le mur ou un autre appareil adjacent. Laissez un espace d'au moins 65 cm (25-3/8 po) devant le lave-vaisselle pour permettre l'ouverture de la porte.

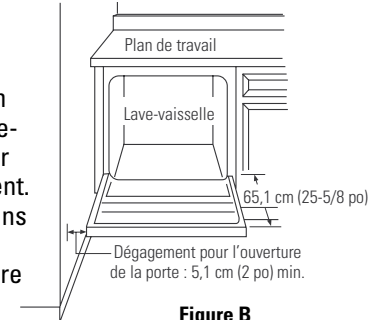


Figure B

Remarque: Vous pouvez effectuer une installation recommandée par l'ADA, 82,5 cm (32-1/2 po) sous un plan de travail de 86,4 cm (34 po) de haut en ajustant la plinthe et les pieds de mise à niveau.

ÉVACUATION

- Observez tous les codes et règlements en vigueur.
- La longueur du tuyau d'évacuation ne doit pas excéder 3,04 m (10 pieds).
- Ne branchez pas d'autres conduits d'évacuation au tuyau d'évacuation du lave-vaisselle.
- Le lave-vaisselle doit être connecté au renvoi d'eau muni d'un brise-vide (non fourni) ou un tuyau d'évacuation ayant une courbe située à au moins 81,3 cm (32 po) au-dessus du sol, selon les codes et les règlements en vigueur, afin d'éviter un refoulement d'eau dans le lave-vaisselle.
- Vous devez utiliser un brise-vide si le raccord en T ou le raccord du broyeur est situé à moins de 45,7 cm (18 po) au-dessus du sol afin d'éviter le siphonnement.

PRÉPARATION DE L'ÉVACUATION

Le type d'installation de l'évacuation dépend de la réponse aux questions suivantes :

- Les codes et les règlements en vigueur exigent-ils un brise-vide?
- Le raccord en T ou le raccord du broyeur sera-t-il situé à moins de 45,7 cm (18 po) au-dessus du sol?
- Le tuyau d'évacuation aura-t-il une courbe située à moins de 81,3 cm (32 po) du sol?

Si vous avez répondu **OUI** à **L'UNE** des trois questions précédentes, vous **DEVEZ** alors utiliser la méthode 1. Sinon, vous pouvez utiliser la méthode 1 ou la méthode 2. Figure C ou Figure D.

⚠ ATTENTION:

Un brise-vide **DOIT ÊTRE UTILISÉ** si le tuyau flexible d'évacuation est connecté au raccord en T ou au broyeur à moins de 45,7 cm (18 po) du sol.

Si vous ne respectez pas la hauteur spécifiée du renvoi d'eau muni d'un brise-vide ou la hauteur minimale de 81,3 cm (32 po) de la courbe du tuyau d'évacuation, l'évacuation du lave-vaisselle ne s'effectuera pas correctement.

Méthode 1 – Brise-vide avec raccord en T ou broyeur

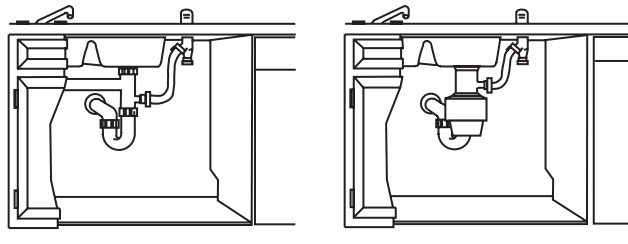


Figure C

Méthode 2 - Tuyau d'évacuation élevé avec raccord en T ou broyeur

Vous devez fixer le tuyau d'évacuation à la face inférieure du plan de travail.

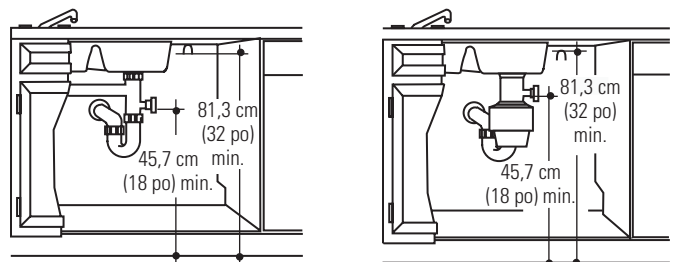


Figure D

Installez le raccord en T ou le broyeur ainsi que le brise-vide conformément aux instructions du fabricant.

PRÉPARATION DE L'ARMOIRE

- Percez un trou de 3,8 cm (1-1/2 po) de diamètre dans le mur de l'armoire, dans les zones ombragées montrées à la Figure A pour la connexion du tuyau d'évacuation. Le trou doit être lisse, sans bords coupants.

Préparatifs d'installation

PRÉPARATION DU CÂBLAGE ÉLECTRIQUE



AVERTISSEMENT

POUR VOTRE SÉCURITÉ : Enlevez le fusible ou déclenchez le disjoncteur au panneau de distribution électrique avant d'entreprendre l'installation. N'utilisez pas de rallonge électrique ni de fiche d'adaptation avec cet appareil.

Exigences électriques

- Cet appareil doit être conçu pour une alimentation électrique de 120 V, 60 Hz, et être branché à un circuit de dérivation individuel mis à la terre correctement et protégé par un disjoncteur de 15 ou 20 ampères ou par un fusible temporisé.
- Le câblage doit comprendre deux fils plus un fil de mise à la terre.
- Si l'alimentation électrique n'est pas conforme aux exigences stipulées ci-dessus, appelez un électricien qualifié avant de faire l'installation.

Instructions de mise à la terre – Connexion directe

Branchez l'appareil à un système de câblage métallique de mise à la terre permanent ou bien installez un conducteur de mise à la terre de l'équipement avec les conducteurs du circuit et raccordez à une borne de terre ou au fil de connexion de l'appareil.

Instructions de mise à la terre – Modèles munis d'un cordon d'alimentation

Cet appareil doit être mis à la terre. En cas d'un fonctionnement défectueux ou d'une défaillance, la mise à la terre diminuera les risques de chocs électriques en fournissant au courant électrique une trajectoire de moindre résistance. La fiche doit être branchée dans une prise appropriée qui est installée et mise à la terre conformément aux codes et règlements en vigueur.



AVERTISSEMENT

Un raccordement incorrect du conducteur de mise à la terre de l'équipement peut entraîner un risque de chocs électriques. Si vous êtes incertain de la qualité de la mise à la terre de l'appareil, consultez un électricien qualifié ou un représentant du service après-vente.

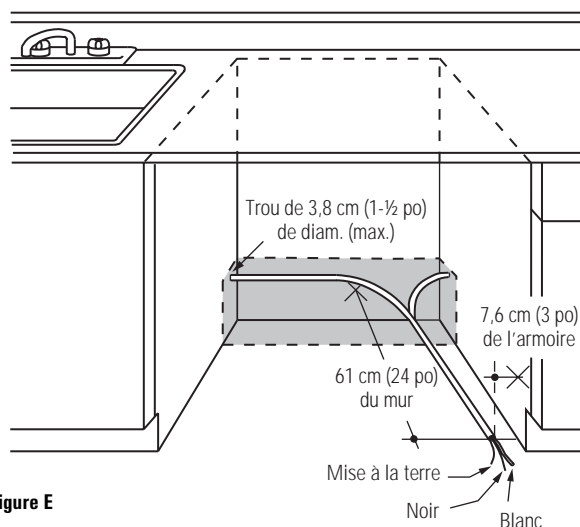


Figure E

Préparation de l'armoire et pose du câblage électrique

- Faites passer le câblage électrique par un côté ou l'autre de l'ouverture, par l'arrière ou le plancher, à l'intérieur des zones ombragées.
- Percez un trou d'un diamètre max. de 3,8 cm (1-1/2 po) pour y insérer le câble électrique. Le trou doit être sans bords coupants. Si le mur de l'armoire est en métal, le bord du trou doit être recouvert d'une bague.
- Le câble de connexion directe peut passer dans le même trou que le tuyau d'évacuation et le tuyau d'eau chaude, si c'est plus pratique. Si le mur de l'armoire est en métal, le bord du trou doit être recouvert d'une bague.
REMARQUE : Le cordon d'alimentation avec une fiche doit passer par un autre trou.

Connexion électrique du lave-vaisselle

La connexion électrique se fait sur le côté avant droit du lave-vaisselle.

- Pour la connexion directe, le câble doit passer comme l'indique la Figure E. Le câble doit dépasser du mur arrière d'au moins 61 cm (24 po).
- Pour une connexion avec un cordon d'alimentation, installez une prise à trois broches de type mise à la terre. Vous devez poser la prise électrique de l'appareil dans une armoire ou sur un mur adjacent à l'espace sous le plan de travail où l'appareil sera installé.

Instructions d'installation

PRÉPARATION DU TUYAU D'EAU CHAUDE

- Le tuyau peut entrer d'un côté ou de l'autre, de l'arrière ou du plancher, dans la zone hachurée montrée à la Figure F.
- Le tuyau peut passer dans le même trou que le câble électrique et le tuyau d'évacuation. Vous pouvez aussi percer un autre trou de 3,8 cm (1-1/2 po) de diam. pour faire passer le tuyau d'eau. Si vous utilisez un cordon d'alimentation avec une fiche, ne passez pas le tuyau d'eau dans le trou prévu pour ce cordon d'alimentation.

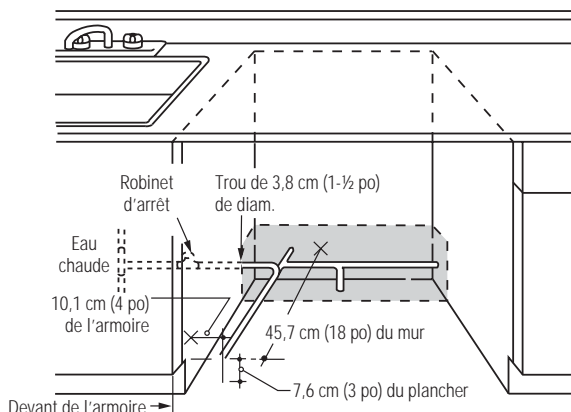


Figure F

Raccordement du tuyau d'eau

- Coupez l'alimentation en eau.
- Installez un robinet d'arrêt dans un endroit accessible, sous l'évier, par exemple. (Optionnel, mais fortement recommandé et peut être exigé par les codes en vigueur.)
- Le raccordement du tuyau d'eau s'effectue du côté gauche du lave-vaisselle. Installez le tuyau d'alimentation en eau chaude au moyen d'un tuyau en cuivre d'au moins 3/8 po de diamètre extérieur. Faites passer le tuyau comme l'indique la Figure F et en le faisant dépasser du mur arrière d'au moins 45,7 cm (18 po).
- Réglez la température du chauffe-eau entre 48,9 °C à 65,6 °C (120°F et 150°F).
- Rincez le tuyau d'eau pour éliminer les débris.
- La pression du tuyau d'alimentation en eau chaude doit se situer entre 20 et 120 lb/po².



AVANT DE COMMENCER

Repérez et mettez de côté l'enveloppe contenant les deux vis Phillips pour fixer le lave-vaisselle sous le plan de travail et les deux vis supplémentaires pour la plinthe (dans l'enveloppe de la documentation).

ÉTAPE 1 VÉRIFIEZ L'ÉQUILIBRE DE LA PORTE

Afin de vérifier l'équilibre de la porte, tenez fermement le dessus du lave-vaisselle.

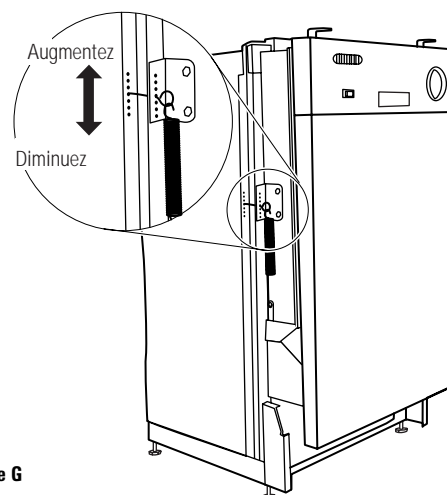


Figure G

- Ouvrez lentement la porte. Si elle tombe quand vous la relâchez, augmentez la tension du ressort. Si la porte se referme lorsque vous la relâchez, diminuez la tension du ressort.
- Sortez des trous la goupille d'ajustement du ressort et insérez-la dans le trou supérieur ou inférieur, puis essayez la porte à nouveau.
- Ajustez les deux ressorts à la même tension.
- Continuez de déplacer la goupille du ressort jusqu'à ce que la porte soit bien équilibrée.



ATTENTION :

Vous ferez basculer le lave-vaisselle si vous ouvrez la porte. **N'ouvrez pas la porte avant d'être prêt à installer le lave-vaisselle.** Si vous devez ouvrir la porte, tenez fermement le dessus du lave-vaisselle d'une main et tenez la porte de l'autre main.



Instructions d'installation

ÉTAPE 2 AJUSTEZ LES PIEDS DE MISE À NIVEAU

- Approchez le lave-vaisselle de l'emplacement choisi et faites-le basculer sur le dos.

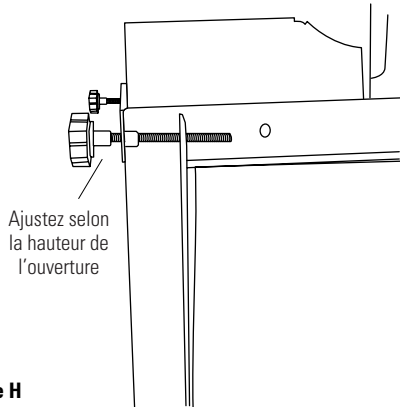


Figure H

- Mesurez la hauteur de l'ouverture et celle du lave-vaisselle. Rallongez les pieds de mise à niveau sous le lave-vaisselle afin d'obtenir 0,64 cm (1/4 po) de moins que la hauteur de l'ouverture.

ÉTAPE 3 DÉPOSEZ LA PLINTHE

- Déposez les quatre vis de la plinthe. Enlevez les deux morceaux de la plinthe.

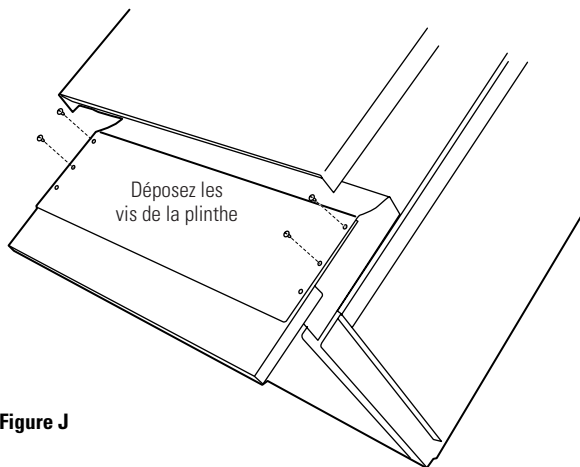


Figure J

ÉTAPE 4 INSTALLATION DU CORDON D'ALIMENTATION

Passez à l'étape suivante si votre lave-vaisselle est branché directement.

Utilisez l'ensemble de cordon d'alimentation WX09X70910 en vente chez votre détaillant d'appareils GE autorisé. Le cordon d'alimentation et les connexions doivent être conformes aux normes du code national d'électricité et/ou aux codes et règlements locaux en vigueur.

- La longueur recommandée du cordon d'alimentation est de 137,16 cm min. et 162,56 cm max. (54 po min. et 64 po max.)

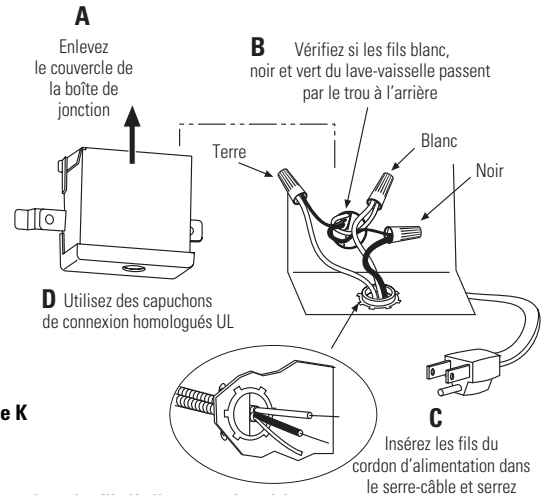


Figure K

- Branchez le fil d'alimentation blanc (ou à nervures) au fil blanc du lave-vaisselle, le fil noir (ou lisse) au fil noir et le fil de mise à la terre au fil vert du lave-vaisselle. Utilisez des capuchons de connexion homologués UL de grosseur appropriée.
- Remettez le couvercle de la boîte de jonction. Assurez-vous que les fils ne sont pas pincés sous le couvercle.

ÉTAPE 5 INSTALLATION DU COUDE DE 90°

- Entourez le coude de 90° avec du ruban d'étanchéité pour filetage pour filetage. **Ne pas utiliser de pâte de plombier.**
- Installez un coude de 90° sur le robinet d'arrivée d'eau.

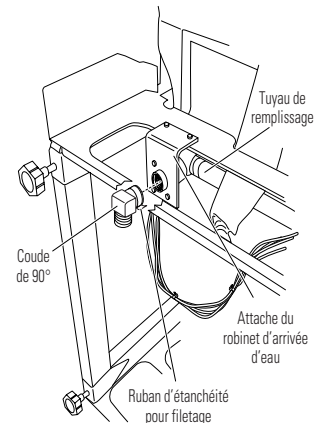


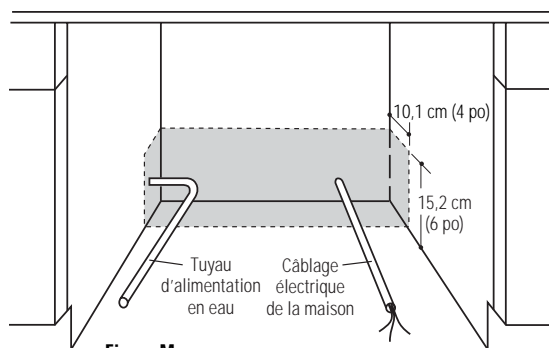
Figure L

- Ne serrez pas trop le coude de 90°, car l'attache du robinet de prise d'eau pourrait tordre ou le raccord du robinet de prise d'eau pourrait casser.
- Placez l'extrémité du coude, face vers l'arrière du lave-vaisselle.

Instructions d'installation

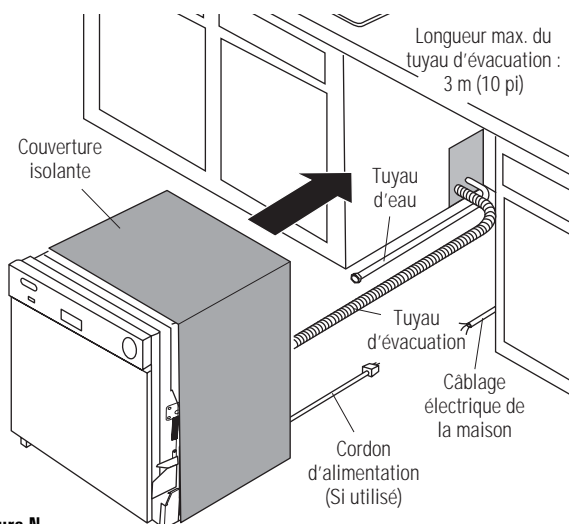
ÉTAPE 6 MISE EN PLACE DU TUYAU ET DU CÂBLAGE DE LA MAISON

- Placez le tuyau d'alimentation en eau et le câblage électrique de la maison sur le plancher de l'ouverture afin d'éviter toute interférence avec la base du lave-vaisselle et les éléments sous le lave-vaisselle.



ÉTAPE 7 INSERTION DU TUYAU D'ÉVACUATION DANS L'ARMOIRE

- Redressez le lave-vaisselle et placez-le en avant de l'ouverture. Insérez le tuyau d'évacuation dans le trou du mur de l'armoire. S'il y a un cordon d'alimentation, faites passer son extrémité par un trou individuel.

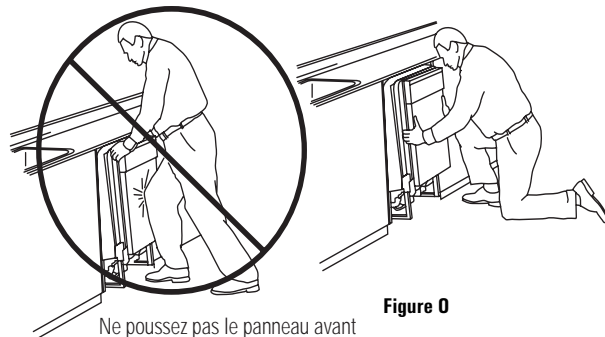


CONSEIL : Placez le tuyau d'eau et le câblage de la maison sur le plancher afin d'éviter toute interférence avec la base du lave-vaisselle.

ÉTAPE 8 GLISSEZ LE LAVE-VAISSSELLE PARTIELLEMENT DANS L'OUVERTURE DE L'ARMOIRE

NE PUSSEZ PAS LE PANNEAU AVANT AVEC LES GENOUX, CELA POURRAIT L'ENDOMMAGER.

- Faites glisser le lave-vaisselle dans l'ouverture, quelques centimètres à la fois.



Ne poussez pas le panneau avant avec les genoux, cela pourrait l'endommager.

- Au fur et à mesure, tirez le tuyau d'évacuation dans l'ouverture sous l'évier. Arrêtez de pousser lorsque le lave-vaisselle dépasse de quelques centimètres l'armoire adjacente.
- Assurez-vous que le tuyau d'évacuation n'est pas plié sous le lave-vaisselle et qu'il n'y a aucune interférence avec le tuyau d'eau et le câblage électrique ou tout autre élément.

Instructions d'installation

ÉTAPE 9 MISE EN PLACE DU LAVE-VAISSELLE SOUS LE PLAN DE TRAVAIL

- Assurez-vous que le câblage électrique est bien en place sous le lave-vaisselle et qu'il n'est pas pincé ou en contact avec les ressorts de la porte ou tout autre élément du lave-vaisselle.

CONSEIL : Vérifiez la couverture isolante de la cuve, le cas échéant. Elle doit être placée de façon à ne pas relever ou ne pas interférer avec les ressorts de la porte. Vérifiez en ouvrant et fermant la porte.

- Poussez le lave-vaisselle dans l'ouverture de l'armoire. Les coins avant du lave-vaisselle doivent s'aligner avec les portes d'armoire. Prenez garde de ne pas bosseler le panneau avant avec les genoux ou de ne pas endommager le plan de travail ou les armoires avec les pièces du lave-vaisselle.



Ne poussez pas le panneau avant avec les genoux, cela pourrait l'endommager.

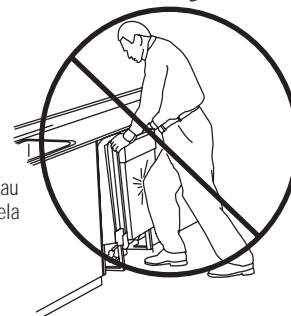


Figure P

ÉTAPE 10 MISE À NIVEAU DU LAVE-VAISSELLE

IMPORTANT - Le lave-vaisselle doit être de niveau afin de pouvoir utiliser le panier à vaisselle correctement et obtenir une bonne qualité de lavage.

- Placez le niveau sur la porte et la glissière du panier à l'intérieur de la cuve, tel qu'indiqué, afin de vérifier si le lave-vaisselle est de niveau.

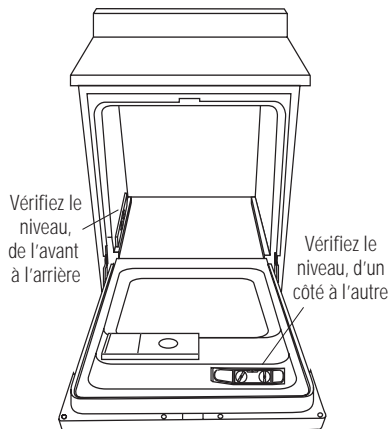


Figure Q

- Mettez le lave-vaisselle de niveau en ajustant les quatre pieds de mise à niveau individuellement.

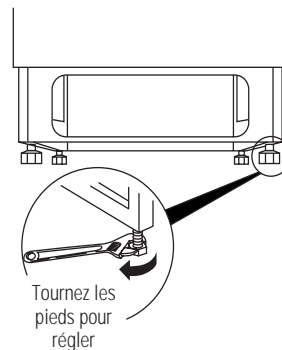


Figure R

CONSEIL : Sortez le panier inférieur, environ de moitié. Vérifiez si le panier ne roule pas vers l'avant ou vers l'arrière du lave-vaisselle. Si oui, vous devez mettre le lave-vaisselle de niveau encore une fois.

- Si la porte bute contre la cuve, le lave-vaisselle n'est pas installé correctement. Ajustez les pieds de mise à niveau pour aligner la porte avec la cuve.

Instructions d'installation

ÉTAPE 11 FIXATION DU LAVE-VAISSELLE À L'ARMOIRE

Le lave-vaisselle doit être fixé au plan de travail.

- Placez le lave-vaisselle de façon que le rebord de la cuve s'aligne avec la partie avant du cadre de l'armoire.

IMPORTANT : Vérifiez si le lave-vaisselle est centré dans l'ouverture et s'il n'interfère pas avec les armoires adjacentes lorsque vous ouvrez et fermez la porte.

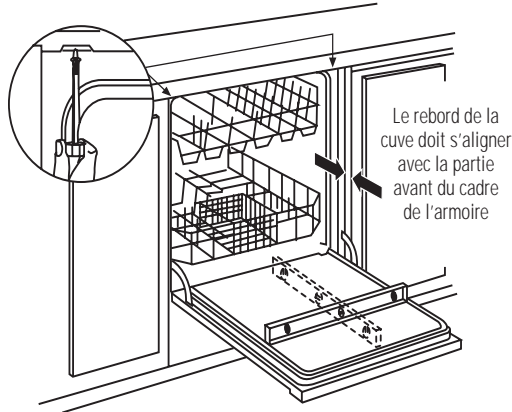


Figure S

- Fixez le lave-vaisselle à la face inférieure du plan de travail avec les deux vis Phillips fournies.

IMPORTANT – Enfoncez les vis pour qu'elles soient droites et qu'elles affleurent. Des têtes de vis qui dépassent égratigneraient le dessus du tableau de commande et pourraient nuire à la fermeture de la porte.

ÉTAPE 12 BRANCHEMENT DE L'ALIMENTATION EN EAU

Branchez le tuyau d'alimentation en eau au coude de 90°.

- Glissez l'écrou à compression, puis la bague d'extrémité sur le tuyau.
- Insérez le tuyau d'eau dans le coude de 90°.
- Glissez la bague d'extrémité contre le coude et serrez l'écrou de compression.

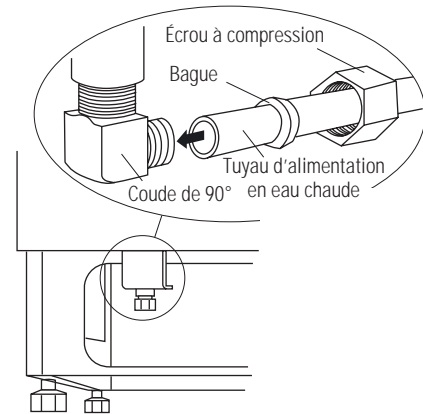


Figure T

IMPORTANT – Vérifiez si le ressort de la porte frotte ou est en contact avec le tuyau de remplissage ou le tuyau d'alimentation en eau. Ouvrez et fermez la porte pour vérifier. Changez le passage des tuyaux s'il y a un bruit de frottement ou une interférence.

Instructions d'installation

ÉTAPE 13 BRANCHEMENT DU TUYAU D'ÉVACUATION

OBSERVEZ TOUS LES CODES ET RÈGLEMENTS EN VIGUEUR.

L'extrémité moulée du tuyau d'évacuation se branche sur des raccords de 5/8 po, 3/4 po ou 1 po du brise-vidé, du raccord en T ou du broyeur. Coupez à la ligne indiquée, selon vos besoins d'installation.

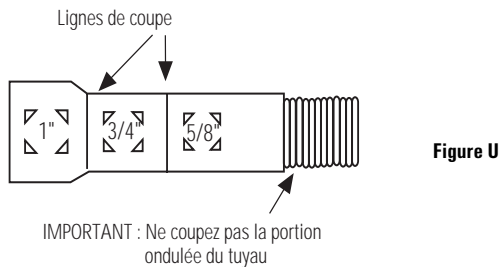


Figure U

- Si vous avez besoin d'un tuyau d'évacuation plus long, ajoutez jusqu'à 106,7 cm (42 po) de tuyau à celui installé en usine pour une longueur totale de 3,04 m (10 pieds). Utilisez un tuyau de 5/8 po ou 7/8 po de diamètre intérieur et un raccord pour brancher les extrémités des deux tuyaux. Fixez le raccord avec un collier de serrage.

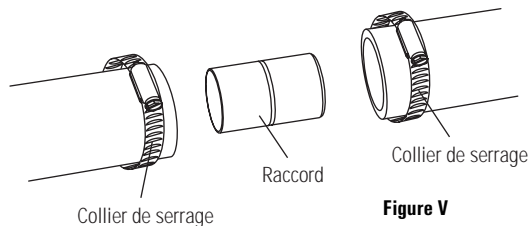


Figure V

- Fixez le tuyau d'évacuation au brise-vidé, au raccord en T ou au broyeur au moyen de colliers de serrage.

REMARQUE : LA LONGUEUR TOTALE DU TUYAU D'ÉVACUATION NE DOIT PAS DÉPASSER 3,04 m (10 pieds) AFIN D'OBTENIR UNE BONNE ÉVACUATION.

INSTALLATION DU TUYAU D'ÉVACUATION

- Branchez le tuyau d'évacuation au brise-vidé, au raccord en T ou au broyeur en vous servant de l'une des méthodes décrites précédemment.

Méthode 1 – Brise-vidé avec raccord en T ou broyeur

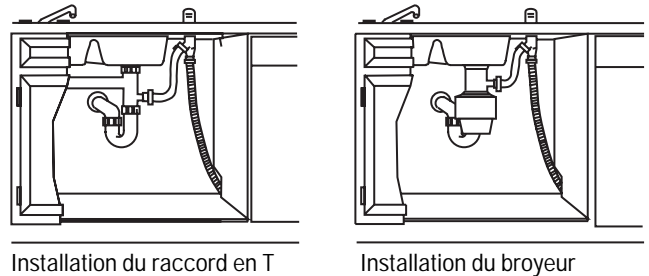


Figure W

Méthode 2 – Boucle de tuyau d'évacuation élevée avec raccord en T ou broyeur

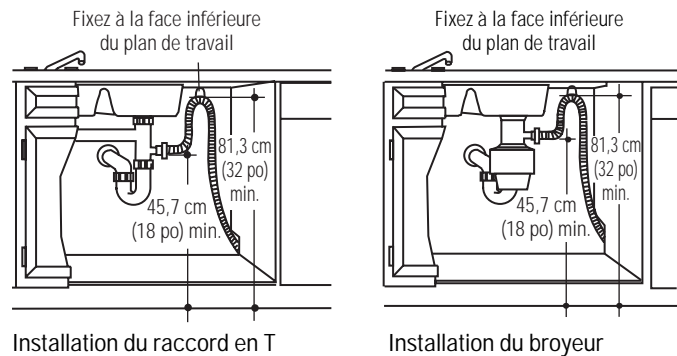


Figure X

IMPORTANT –

Si vous branchez le tuyau d'évacuation au broyeur, assurez-vous d'enlever le bouchon de vidange. L'ÉVACUATION DU LAVE-VAISSELLE NE S'EFFECTUERA PAS SI VOUS LAISSEZ CE BOUCHON EN PLACE.



CONSEIL : Évitez les frais de services de dépannage inutiles. Assurez-vous toujours d'avoir enlevé le bouchon de vidange du broyeur avant de brancher le tuyau d'évacuation du lave-vaisselle au broyeur.

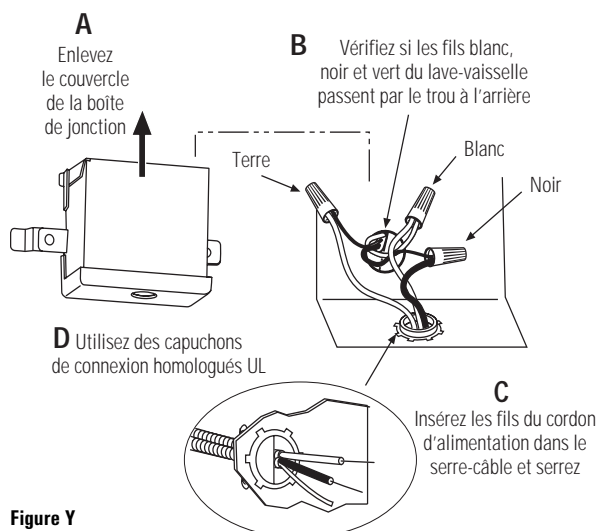
Instructions d'installation

ÉTAPE 14 BRANCHEMENT DE L'ALIMENTATION ÉLECTRIQUE

Passer à l'étape suivante si le lave-vaisselle est muni d'un cordon d'alimentation.

Assurez-vous que le circuit est hors tension.

- Retirez le couvercle de la boîte de jonction « A ».
- Repérez les trois fils du lave-vaisselle (blanc, noir et vert) avec les extrémités dénudées. Insérez les fils du lave-vaisselle dans le petit trou de la boîte de jonction « B ».
- Fixez le câblage électrique de la maison à la partie inférieure de la boîte de jonction avec un serre-câble « C ».
- Utilisez des capuchons de connexion pour brancher le fil de mise à la terre au fil vert, le fil blanc au fil blanc et le fil noir au fil noir « D ».
- Remettre le couvercle de la boîte de jonction « E ». Vérifiez si les fils ne sont pas pincés sous le couvercle.



E Remettez le couvercle de la boîte de jonction



AVERTISSEMENT

Si le circuit de la maison n'est pas un circuit à deux fils muni d'un fil de mise à la terre, l'installateur doit poser un fil de mise à la terre. Lorsque le câblage de la maison est en aluminium, assurez-vous d'utiliser un composé antioxydant et des connecteurs aluminium-cuivre homologués cUL.

ÉTAPE 15 LISTE DE VÉRIFICATION AVANT L'ESSAI

Examinez cette liste après l'installation du lave-vaisselle pour éviter des frais de dépannage qui ne sont pas couverts par la garantie.

- Assurez-vous que le circuit est HORS TENSION.
- Ouvrez la porte et enlevez tout l'emballage en mousse et en papier.
- Trouvez le Manuel de l'utilisateur dans l'enveloppe de la documentation.
- Lisez les instructions d'utilisation dans le Manuel de l'utilisateur.
- Vérifiez l'ouverture et la fermeture de la porte. Si la porte ne s'ouvre pas et ne se ferme pas librement ou si elle a tendance à tomber, vérifiez l'ajustement des ressorts. Consultez l'étape 1.
- Vérifiez si les fils sont bien en place sous le lave-vaisselle, s'ils sont pincés ou en contact avec les ressorts de la porte ou d'autres éléments. Consultez l'étape 9.
- Vérifiez l'alignement de la porte avec la cuve. Si la porte bute contre la cuve, mettez le lave-vaisselle de niveau. Consultez l'étape 10.
- Sortez le panier inférieur, environ de moitié. Vérifiez s'il ne roule pas vers l'arrière ou vers l'avant sur la porte. Si le panier bouge, ajustez les pieds de mise à niveau. Consultez l'étape 10.
- Vérifiez si la porte est alignée avec l'armoire. Si la porte bute contre la cuve, mettez le lave-vaisselle de niveau. Consultez l'étape 10.
- Vérifiez si le tuyau d'alimentation en eau et le tuyau d'évacuation sont pliés ou en contact avec d'autres éléments. Un contact avec le moteur ou le cadre du lave-vaisselle peut causer des bruits. Consultez l'étape 8.
- Ouvrez le robinet d'eau chaude de l'évier et vérifiez la température de l'eau. La température de l'eau d'alimentation doit se situer entre 48,9 °C et 65,6 °C (120 °F et 150 °F). Il faut une température d'au moins 48,9 °C (120°F) pour obtenir un bon rendement du lave-vaisselle. Consultez la « Préparation du tuyau d'eau chaude » à la page 5.
- Ajoutez deux litres d'eau au fond du lave-vaisselle afin de lubrifier le joint de la pompe.
- Ouvrez le robinet d'eau. Vérifiez s'il y a des fuites. Serrez davantage les raccords, au besoin.
- Enlevez la pellicule de protection sur le panneau de commande et la porte, le cas échéant.

Instructions d'installation

ÉTAPE 16 ESSAI DU LAVE-VAISSELLE AVEC DE L'EAU

- Mettez le circuit sous tension (ou branchez le cordon d'alimentation dans la prise de courant, le cas échéant).
- Mettez le lave-vaisselle sous tension (référez-vous au manuel d'utilisateur).
- Fermez la porte, choisissez le cycle RINÇAGE SEULEMENT et appuyez sur START/CANCEL.
- Assurez-vous que l'eau entre dans le lave-vaisselle. Si l'eau n'entre pas dans le lave-vaisselle, vérifiez si le robinet d'alimentation en eau est ouvert et si le circuit est sous tension.
- Vérifiez s'il y a des fuites sous le lave-vaisselle. Si vous trouvez une fuite, mettez le circuit hors tension et resserrez les raccords. Une fois la fuite éliminée, remettez le circuit sous tension.
- Vérifiez s'il y a des fuites autour de la porte. Une fuite autour de la porte pourrait être causée par une porte qui frotte ou qui bute contre l'armoire adjacente. Corrigez le positionnement du lave-vaisselle au besoin. Consultez l'étape 9.
- Lors du vidage d'eau, vérifiez les tuyaux d'évacuation. S'il y a des fuites, mettez le circuit hors tension avec le disjoncteur et corrigez la plomberie, s'il y a lieu. Remettez le circuit sous tension une fois les corrections effectuées. Consultez l'étape 12.
- Ouvrez la porte du lave-vaisselle et assurez-vous qu'une grande partie de l'eau a été évacuée. Sinon, vérifiez si le bouchon de vidage du broyeur a été enlevé ou si le brise-vide est bouché. Consultez l'étape 13. Vérifiez aussi si le tuyau d'évacuation est plié.
- Faites fonctionner le lave-vaisselle pendant un autre cycle de remplissage et d'évacuation. Vérifiez s'il y a des fuites et corrigez au besoin.

ÉTAPE 17 REPOSE DE LA PLINTHE

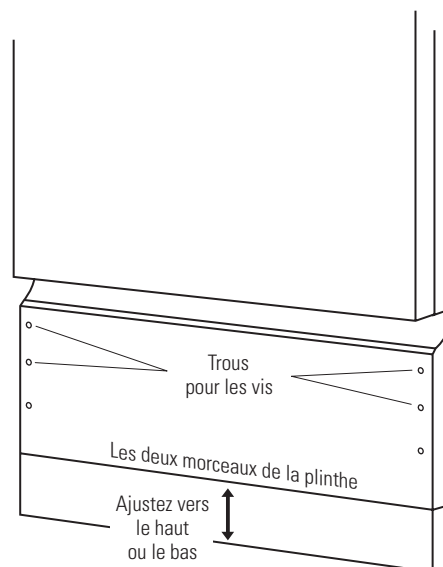


Figure Z

- Placez les deux morceaux de la plinthe contre les pieds du lave-vaisselle.
- Placez la plinthe intérieure (celle avec des fentes) contre l'attache de la plinthe. Les fentes doivent s'aligner avec les trous pour les vis de l'attache. La plinthe doit toucher le sol.
- Placez la plinthe la plus grande par-dessus la plinthe intérieure et posez les vis de la plinthe.
- Si l'ouverture excède 85,1 cm (33-1/2 po), utilisez les deux vis supplémentaires.
- Utilisez les deux morceaux de la plinthe quelle que soit la hauteur de l'ouverture.

ÉTAPE 18 DOCUMENTATION

Prenez soin de laisser au consommateur toute l'enveloppe de documentation et les instructions d'installation.

UTILISATION DU RACCORD AVEC DÉRIVATION (Modèles mobiles seulement)



Avant de faire fonctionner votre lave-vaisselle pour la première fois...

Installez l'adaptateur de robinet. Avant d'utiliser votre lave-vaisselle, vous devez installer au robinet de votre évier l'adaptateur de robinet spécial fourni avec votre appareil.

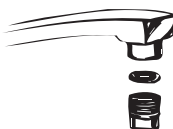
Cet adaptateur a été conçu de façon à s'installer sur tous les becs standard de robinet à filetage interne ou externe. Vous trouverez cet adaptateur, ainsi que deux rondelles, dans un emballage fourni avec votre lave-vaisselle.

Pour installer l'adaptateur de robinet, enlevez d'abord l'aérateur ou la rondelle décorative, à l'extrémité du bec du robinet.

Si le robinet est doté d'un filetage externe :

Insérez la rondelle la plus mince dans l'adaptateur de robinet et vissez l'adaptateur au bec du robinet.

Serrez avec des pinces.



Si le robinet est pourvu d'un filetage interne :

Insérez les deux rondelles dans l'adaptateur de robinet et vissez l'adaptateur au bec du robinet.

Serrez avec des pinces.

Si les filets de l'adaptateur de robinet ne conviennent pas à ceux du bec de votre robinet,

procurez-vous chez votre quincaillier ou votre plombier local un raccord permettant d'installer l'adaptateur de robinet spécial au bec de votre robinet.

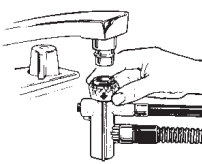
REMARQUE : Le boyau de l'arroseur de votre évier peut éclater s'il est installé sur le même évier que votre lave-vaisselle. Si votre évier est pourvu d'un arroseur, nous vous recommandons de l'enlever et d'obturer le trou à l'aide d'un bouchon.



Installation du raccord

1. Sortez complètement le raccord avec dérivation et les boyaux de leur compartiment à l'arrière du lave-vaisselle et fixez le raccord à l'adaptateur de robinet.

2. Installez le raccord au robinet en abaissant la bague située à la partie supérieure du raccord. Lorsque l'adaptateur de robinet est complètement inséré à l'intérieur du raccord, relâchez la bague. Celle-ci revient à sa position initiale pour verrouiller le raccord en place.



ABAISSER LA BAGUE

Le petit boyau du raccord avec dérivation amène l'eau du robinet au lave-vaisselle, tandis que le gros boyau assure la vidange de l'eau dans l'évier. Assurez-vous que le raccord est placé vis-à-vis le renvoi dans le fond de l'évier et que le renvoi est ouvert pour que l'eau de vidange du lave-vaisselle puisse s'écouler. Si votre lave-vaisselle se vidange dans un broyeur, faites fonctionner le broyeur jusqu'à ce qu'il soit vide avant de mettre le lave-vaisselle en marche.

3. Avant de mettre l'appareil en marche, ouvrez complètement le robinet d'eau chaude.

Pour enlever le raccord du robinet

1. Fermez le robinet d'eau chaude.
2. Réduisez la pression de l'eau en appuyant sur le détenteur. De cette façon, vous éliminez la

pression d'eau et vous vous protégez contre les éclaboussures.

3. Dégagez le raccord du robinet en abaissant la bague à la partie supérieure du raccord.

Pour débrancher votre lave-vaisselle

1. Débranchez de la prise de courant la fiche du cordon d'alimentation.
2. Enlevez le raccord avec dérivation de l'adaptateur de robinet.

REMARQUE : Lorsque le moteur s'arrête à la fin du dernier rinçage, vous pouvez enlever le raccord avec dérivation et le remettre en place dans son compartiment.

Pour vidanger le surplus d'eau des boyaux du raccord

Si votre évier se trouve à 34 po ou plus du sol, vous ne pouvez vidanger dans l'évier le surplus d'eau des boyaux du raccord avec dérivation. Il vous faudra vidanger le surplus d'eau dans un bol ou un contenant approprié à l'extérieur de l'évier et à une hauteur inférieure à celle de votre évier.

