

GLC5604V

GE® Convertible Dishwasher

Dimensions and Installation Information (in inches)

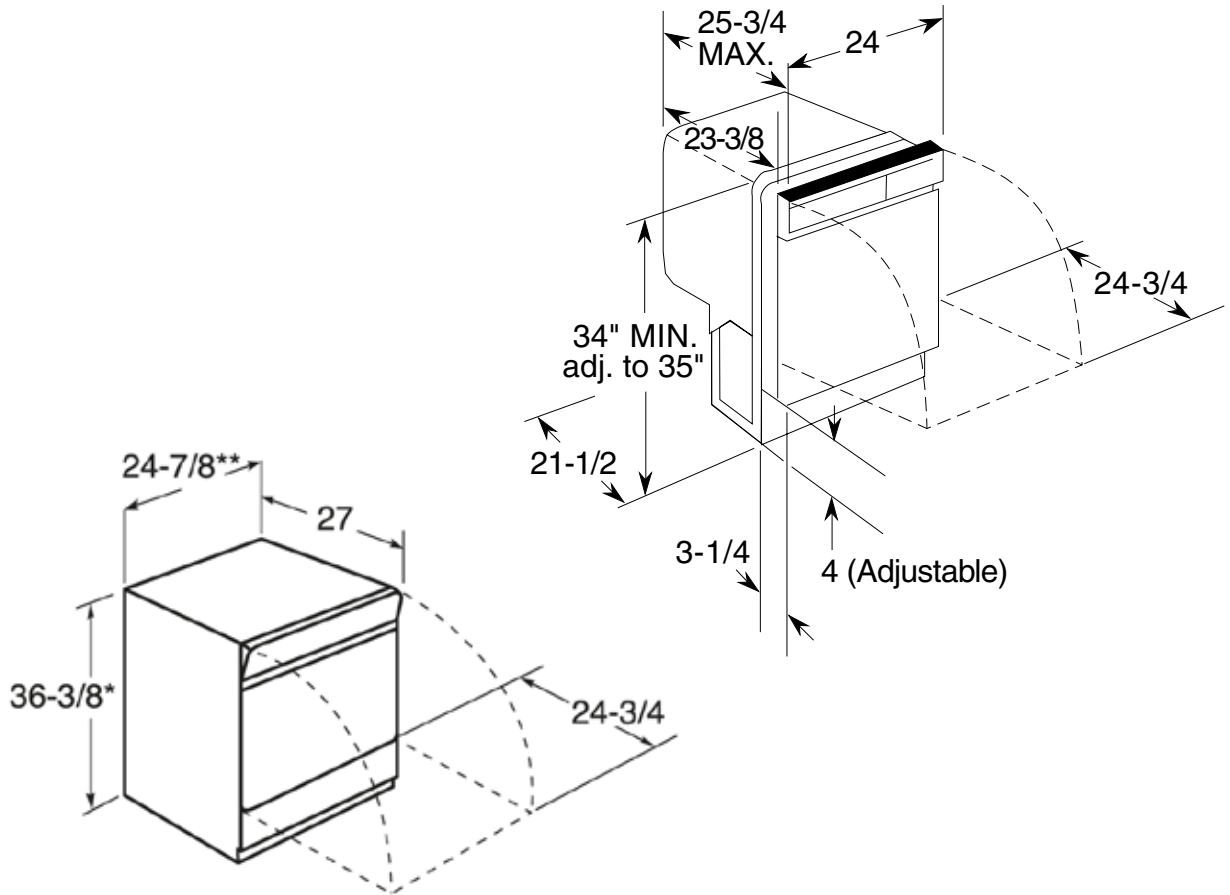
Electrical Rating

Voltage AC.....	120
Hertz.....	60
Total connected load amperage.....	6.2
Calrod® heater watts max.....	500

For use on adequately wired 120-volt, 15-amp circuit having 2-wire service with a separate ground wire. This appliance must be grounded for safe operation.

Important Note: GE Kit number WD35M34 needed when adapting GE Convertible Dishwasher to a built-in installation. Contains built-in dishwasher water valve, hardware and complete instructions for changing a GE Convertible Dishwasher to an under-the-counter installation.

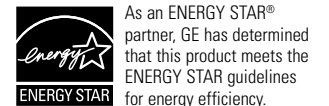
Installation Information: Before installing, consult installation instructions packed with product for current dimensional data.



*Includes top and wheels

**Includes countertop

For answers to your Monogram®, GE Profile™ or GE® appliance questions, visit our website at geappliances.com or call GE Answer Center® service, 800.626.2000.

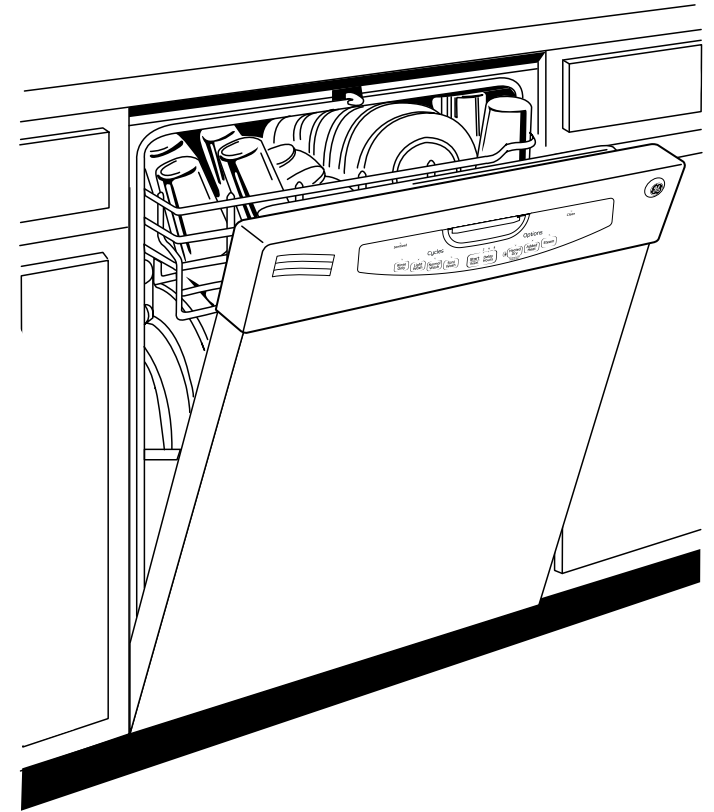


GLC5604V

GE® Convertible Dishwasher

Features and Benefits

- Woodgrain laminate top - Creates a durable, attractive surface
- 5-stage filtration with Piranha™ hard food disposer - 5 self-cleaning filters ensure clean dishes
- Dedicated silverware jets - Highly pressurized spray jets target the silverware area for improved cleaning
- Steam PreWash - Loosens tough soils before any cycle virtually eliminating the need for soaking or pre-rinsing dishes
- CleanSensor™ - A highly sensitive laser continually monitors the soil level and temperature in every cycle, adjusting water and cycle times as needed for the optimal cleaning results
- Natural convection heated dry option - A drying element effectively dries dishes reducing the need to towel dry after unloading
- 57 dBA sound level - Quiet operation with two-pump system means a big clean with little sound
- ENERGY STAR® qualified and CEE Tier II rated - Meets or exceeds federal guidelines for energy efficiency for year-round energy and money savings
- SaniWash cycle (NSF residential) - High temperature rinse sanitizes and reduces 99.999% of bacteria found on dishes
- Pearlescent gray deep-tiered rack with StemSafe™ - Long-lasting, durable racks resist rust and secure dishes
- Lower rack fold-down tines - Flexible loading options handle today's dishes and cookware of all shapes and sizes
- Model GLC5604VWW - White on white
- Model GLC5604VBB - Black on black



imagination at work