

# GLD4900/50/60P GE® Tall Tub Built-In Dishwasher

## Dimensions and Installation Information (in inches)

### Electrical Rating

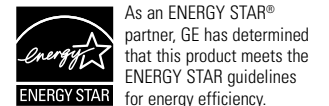
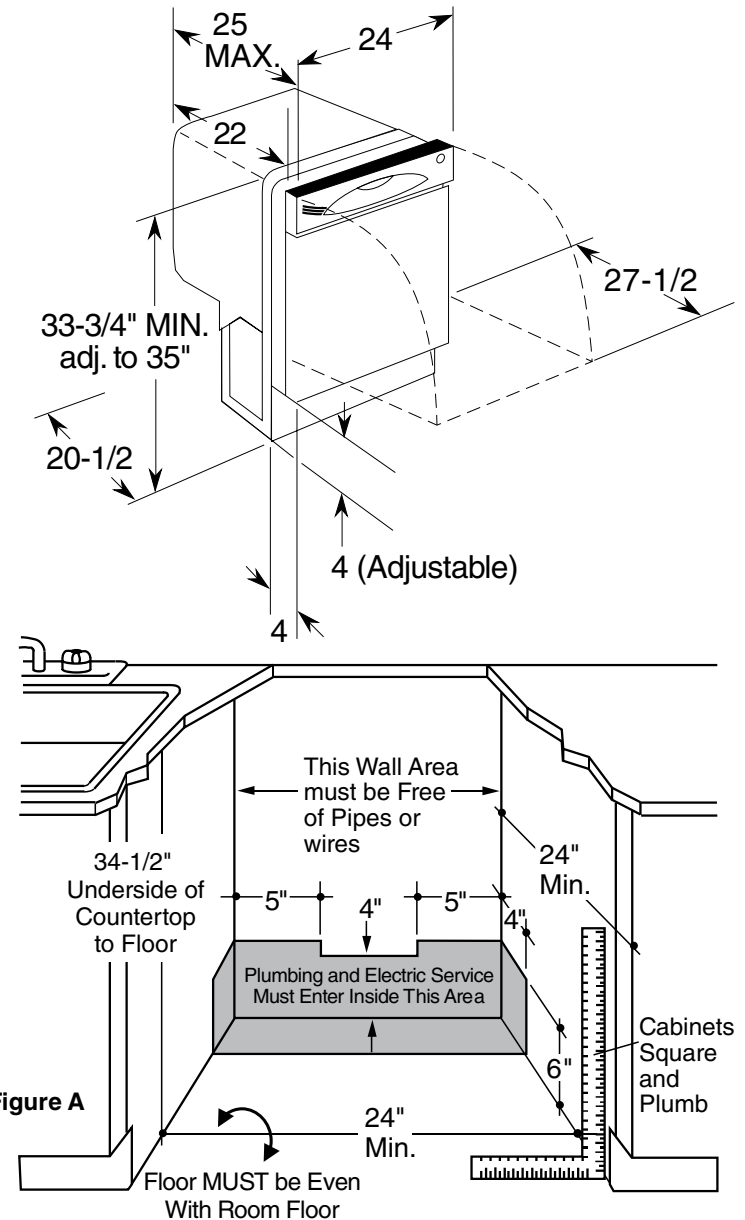
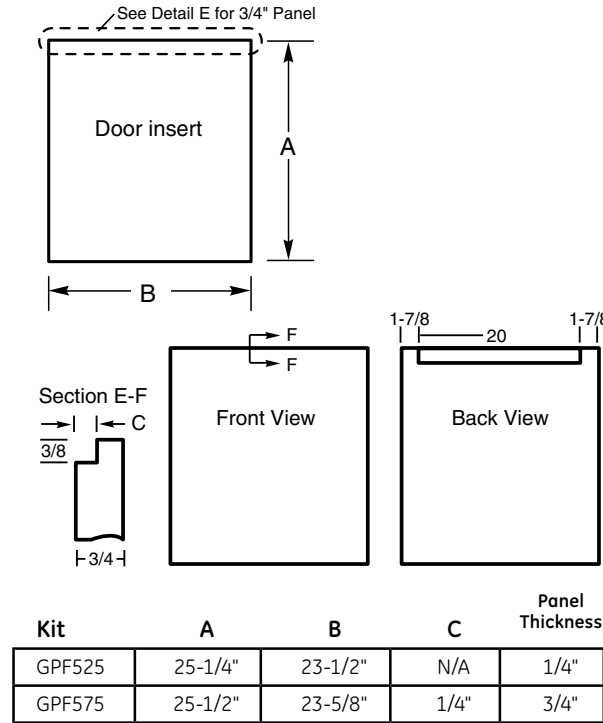
Voltage AC.....	120
Hertz.....	60
Total connected load amperage.....	10
Calrod® heater watts max.....	875

For use on adequately wired 120-volt, 15-amp circuit having 2-wire service with a separate ground wire. This appliance must be grounded for safe operation.

**Note:** The rough cabinet opening must be at least 24" deep, 24" wide and approximately 34-1/2" high from floor to underside of the countertop. Dishwasher must not be installed more than 10 feet from sink for proper drainage. All plumbing and electrical work must be in accordance with local codes. The power cord and connections must comply with the National Electrical Code Section 422 and/or local codes and ordinances. The cord must be no longer than 6 ft. from the junction box to the receptacle.

**Installation Information:** Before installing, consult installation instructions packed with product for current dimensional data.

For answers to your Monogram®, GE Profile™ or GE® appliance questions, visit our website at [ge.com](http://ge.com) or call GE Answer Center® service, 800.626.2000.

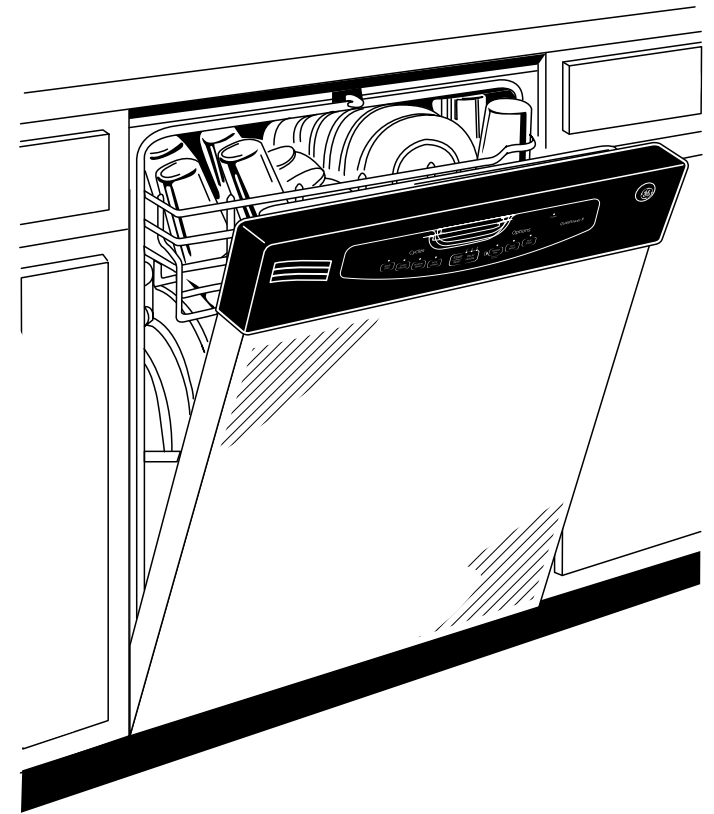


# GLD4900/50/60P

## GE® Tall Tub Built-In Dishwasher

### Features and Benefits

- Giant Tub with up to 16 Place Setting Capacity Racking - Holds tall and oversized items and washes up to 16 place settings at once
- 6-level BrilliantClean™ Towerless Wash System - Six wash levels quietly and efficiently direct water onto dishes just where it's needed
- Electronic Controls with 4 Cycles/5 Options - Make it simple to select a wide range of wash cycles
- 2/4/8-Hour Delay Start - Allows the dishwasher to be set to wash dishes at a later time
- 100% Triple Water Filtration - Water stays clean, so just-washed dishes do, too
- 1 Set of Fold-Down Tines in Upper Rack - Flexible tines make it easier to load the upper rack of the dishwasher
- 2 Sets of Fold-Down Tines in Lower Rack - Flexible tines make it easier to load the lower rack of the dishwasher
- Model GLD4900PWW - White on white
- Model GLD4900PCC - Bisque on bisque
- Model GLD4900PBB - Black on black
- Model GLD4950PCS - CleanSteel™
- Model GLD4960PSS - Stainless steel



imagination at work