

GLD7708/7768V

GE® Tall Tub Built-In Dishwasher

Dimensions and Installation Information (in inches)

Electrical Rating

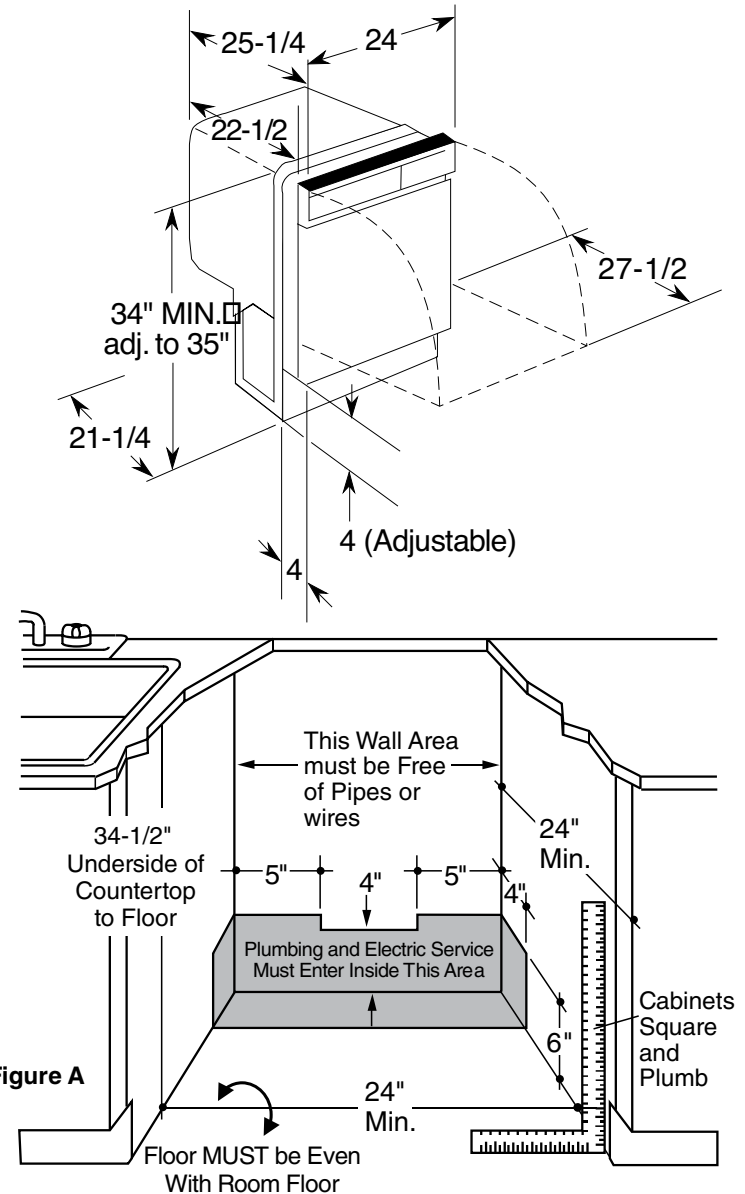
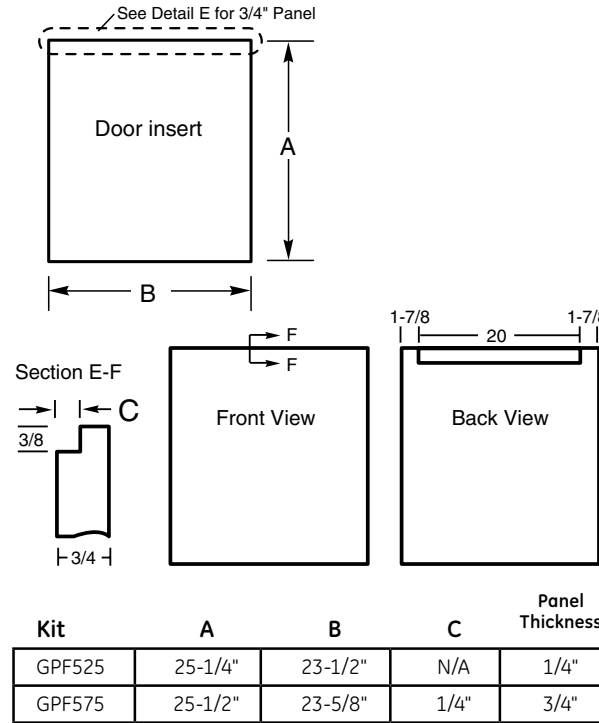
Voltage AC.....	120
Hertz.....	60
Total connected load amperage.....	10
Calrod® heater watts max.....	875

For use on adequately wired 120-volt, 15-amp circuit having 2-wire service with a separate ground wire. This appliance must be grounded for safe operation.

Note: The rough cabinet opening must be at least 24" deep, 24" wide and approximately 34-1/2" high from floor to underside of the countertop. Dishwasher must not be installed more than 10 feet from sink for proper drainage. All plumbing and electrical work must be in accordance with local codes. The power cord and connections must comply with the National Electrical Code Section 422 and/or local codes and ordinances. The cord must be no longer than 6 ft. from the junction box to the receptacle.

Installation Information: Before installing, consult installation instructions packed with product for current dimensional data.

For answers to your Monogram®, GE Profile™ or GE® appliance questions, visit our website at geappliances.com or call GE Answer Center® service, 800.626.2000.



imagination at work



Listed by Underwriters Laboratories



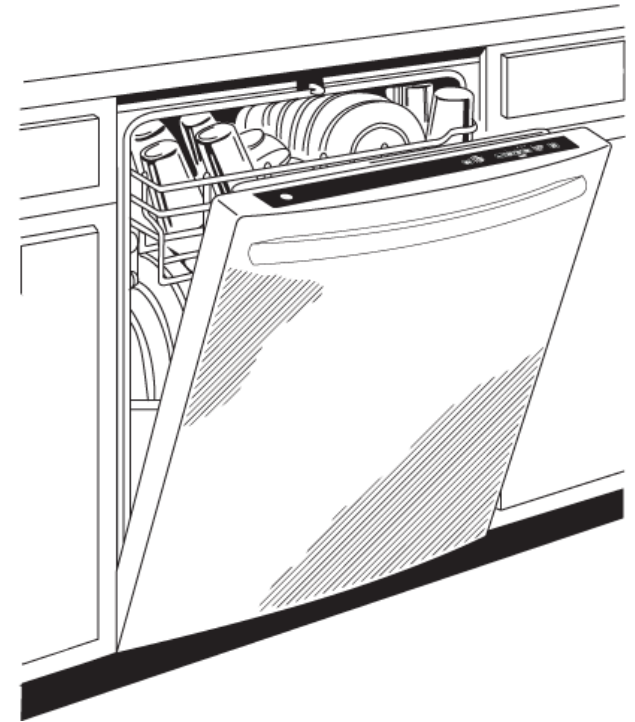
As an ENERGY STAR® partner, GE has determined that this product meets the ENERGY STAR guidelines for energy efficiency.

GLD7708/7768V

GE® Tall Tub Built-In Dishwasher

Features and Benefits

- 5-stage filtration with Piranha™ hard food disposer - 5 self-cleaning filters ensure clean dishes
- Dedicated silverware jets - Highly pressurized spray jets target the silverware area for improved cleaning
- Steam PreWash - Loosens tough soils before any cycle virtually eliminating the need for soaking or pre-rinsing dishes
- Auto wash cycle - Cycle automatically adjusts to soil level to maximize energy savings and ensure clean dishes
- Natural convection heated dry option - A drying element effectively dries dishes reducing the need to towel dry after unloading
- 55 dBA with status light on door - A dishwasher this quiet has a multi-colored status light to let you know it is running
- Two-pump system - One small pump for washing/rinsing and one small pump to remove soils provide excellent wash performance with reduced sound
- ENERGY STAR® qualified and CEE Tier II rated - Meets or exceeds federal guidelines for energy efficiency for year-round energy and money savings
- Pearlescent gray deep-tiered 4-position adjustable upper rack with StemSafe™ - Long-lasting, durable racks resist rust and secure dishes
- Lower rack fold-down tines - Flexible loading options handle today's dishes and cookware of all shapes and sizes
- Audible end-of-cycle signal - The dishwasher makes a sound to tell you when the load is complete and dishes are ready to unload
- Model GLD7708VWW - White on white
- Model GLD7708VBB - Black on black
- Model GLD7768VSS - Stainless steel



imagination at work