

GLDT690T/GLDT696T

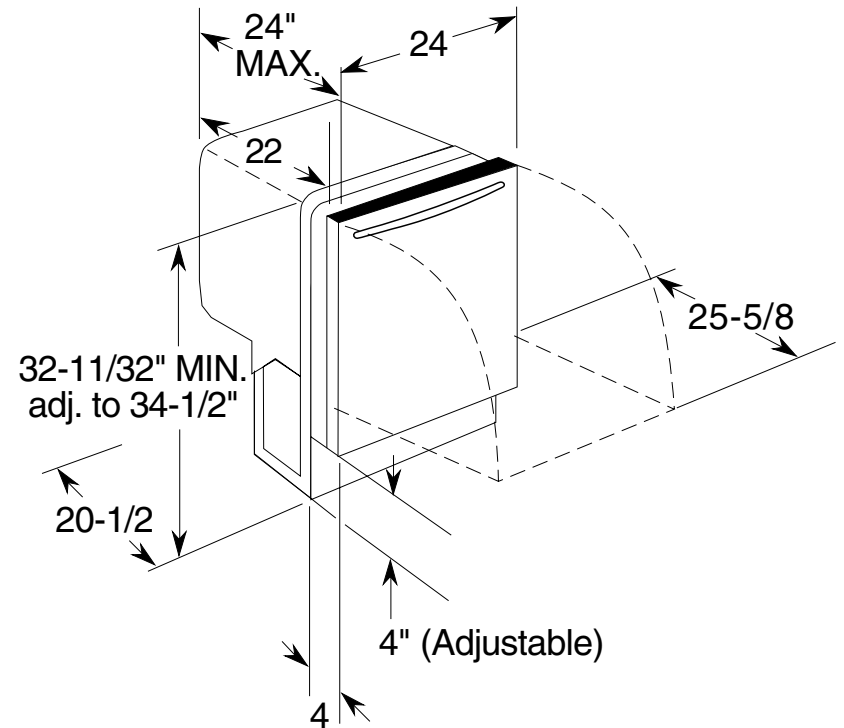
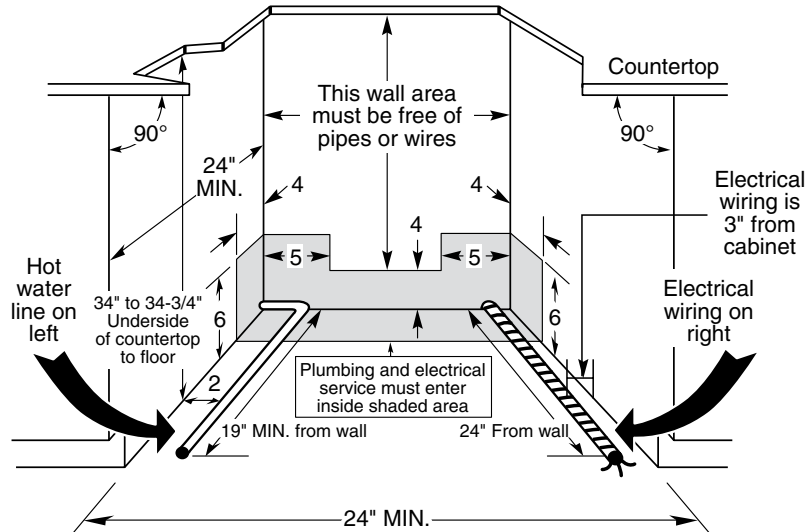
GE® Built-In Dishwasher with Hidden Controls

Dimensions and Installation Information (in inches)

Electrical Rating

Voltage AC.....	120
Hertz.....	60
Total connected load amperage.....	10
Calrod® heater watts max.....	875

For use on adequately wired 120-volt, 15-amp circuit having 2-wire service with a separate ground wire. This appliance must be grounded for safe operation.



For answers to your Monogram®, GE Profile™ or GE® appliance questions, visit our website at ge.com or call GE Answer Center® service, 800.626.2000.



Listed by Underwriters Laboratories



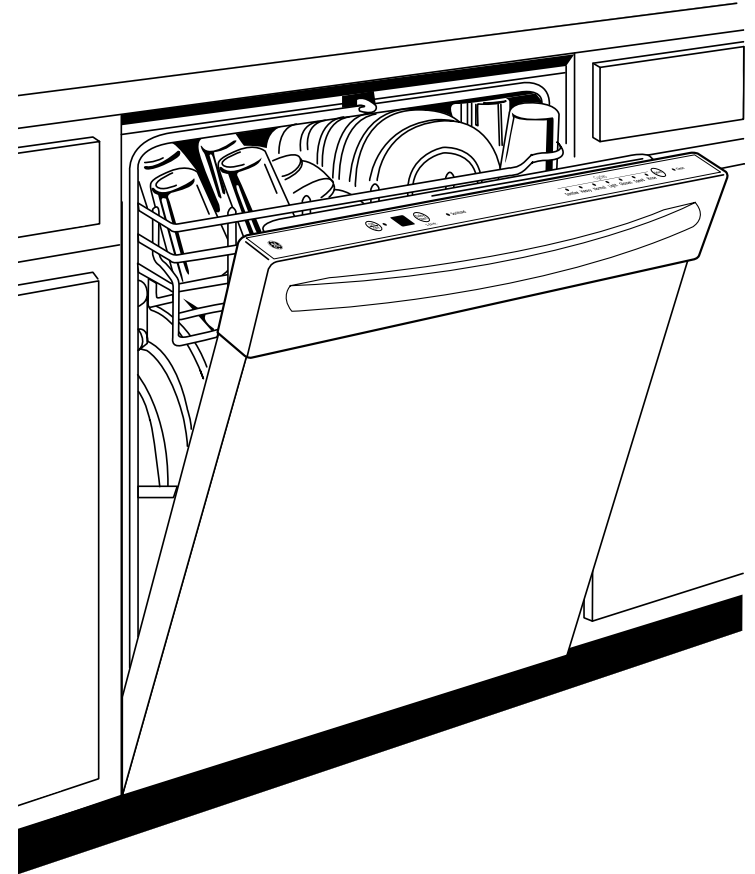
As an ENERGY STAR® partner, GE has determined that this product meets the ENERGY STAR guidelines for energy efficiency.

GLDT690T/GLDT696T

GE® Built-In Dishwasher with Hidden Controls

Features and Benefits

- Bright, stainless steel interior
- Low-profile installation capable
- 5 wash levels - Scrub dishes clean
- 2-digit countdown display with 1-24 hr. delay start
- Two utility shelves in upper rack with StemSafe
- Nylon racks - Durable racks are designed to resist rust and secure dishes
- Audible end-of-cycle signal - The dishwasher makes a sound to tell you when the load is complete and dishes are ready to unload
- ADA-compliant - Dishwasher design allows for simple operation and easy access
- SaniWash Cycle - Special cycle reduces 99.99% of harmful germs and bacteria
- Model GLDT690TWW – White on white
- Model GLDT690TBB – Black on black
- Model GLDT696TSS – Stainless steel (shown)



As an ENERGY STAR® partner, GE has determined that this product meets the ENERGY STAR guidelines for energy efficiency.