

# GSC3500D

## GE® Convertible Dishwasher

### Dimensions and Installation Information (in inches)

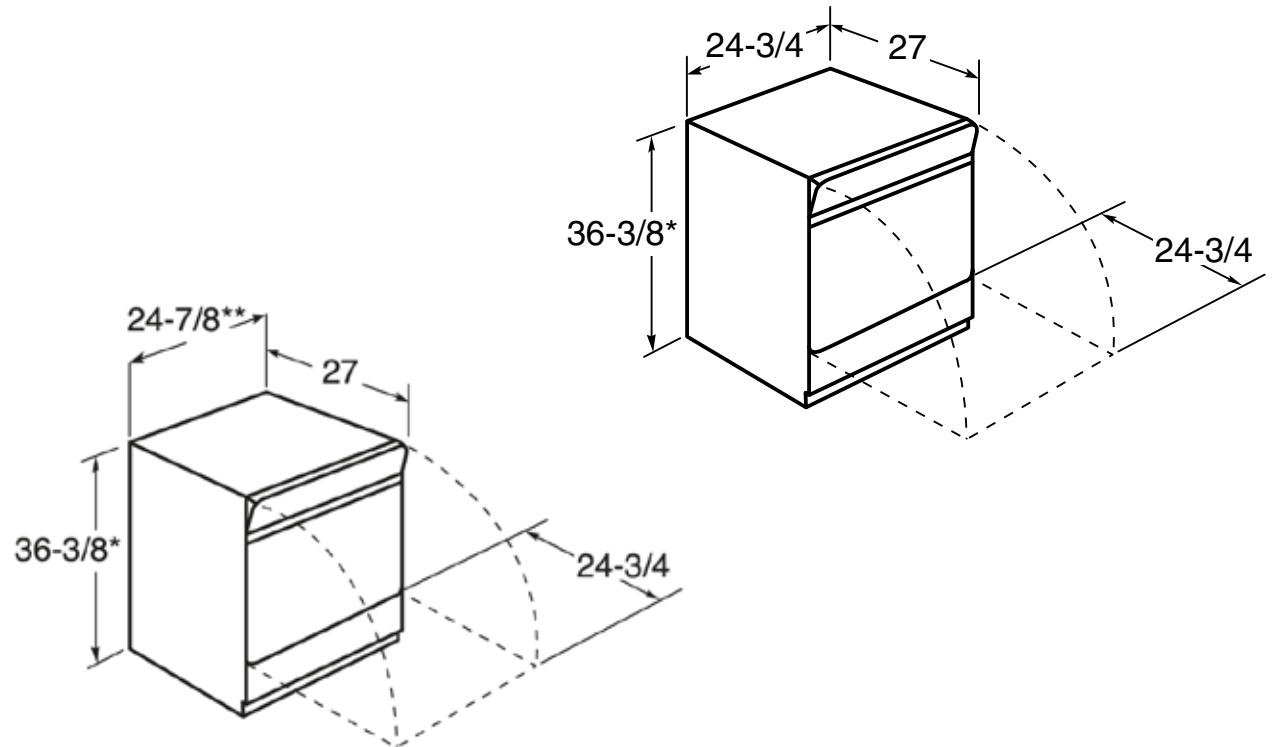
#### Electrical Rating

Voltage AC.....	120
Hertz.....	60
Total connected load amperage.....	6.2
Calrod® heater watts max.....	500

For use on adequately wired 120-volt, 15-amp circuit having 2-wire service with a separate ground wire. This appliance must be grounded for safe operation.

**Important Note:** GE Kit number WD35M34 needed when adapting GE Convertible Dishwasher to a built-in installation. Contains built-in dishwasher water valve, hardware and complete instructions for changing a GE Convertible Dishwasher to an under-the-counter installation.

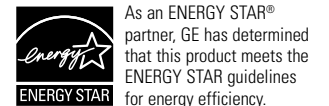
**Installation Information:** Before installing, consult installation instructions packed with product for current dimensional data.



\*Includes top and wheels

\*\*Includes countertop

For answers to your Monogram® Cafe™ Series, Profile™ Series or GE® appliance questions, visit our website at [geappliances.com](http://geappliances.com) or call GE Answer Center® service, 800.626.2000.

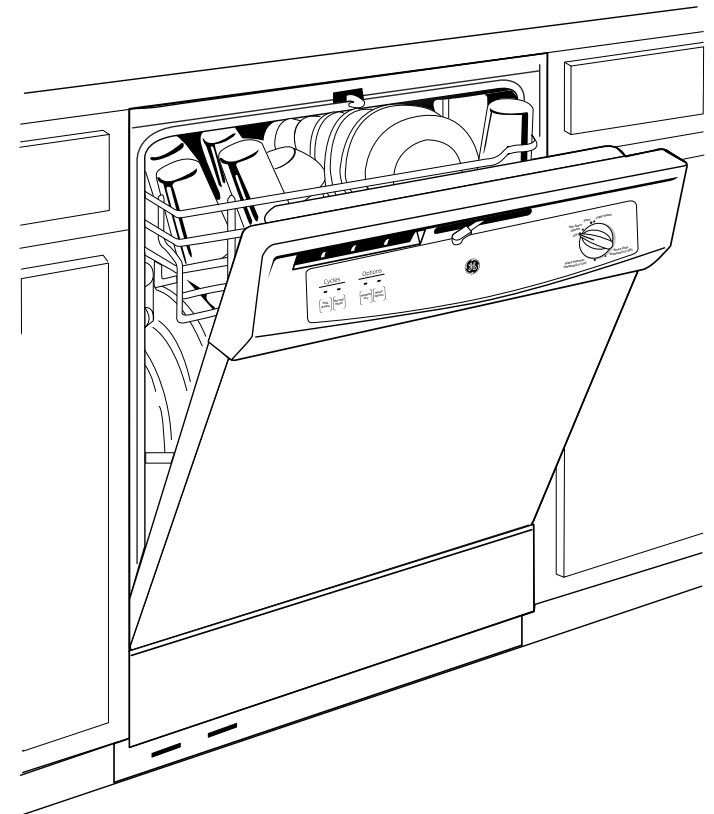


# GSC3500D

## GE® Convertible Dishwasher

### Features and Benefits

- Woodgrain laminate top - Creates a durable, attractive surface
- 5-level wash system - Powerful wash cleans dishes thoroughly
- Two-stage filtration with Extra Fine filter - Extra filtration keeps water clean
- Piranha™ hard-food disposer - Grinds food into small particles that are washed away
- Pots and Pans cycle - removes difficult soils from cookware
- Up to 12-place setting capacity racking - Provides flexibility to wash a variety of dishes at once
- ENERGY STAR® Qualified - Meets or exceeds 2011 federal guidelines for energy efficiency for year-round energy and money savings
- 64 dBA - motor runs quietly to keep kitchen peaceful
- Model GSC3500DWW - White on white
- Model GSC3500DBB - Black on black



imagination at work



As an ENERGY STAR® partner, GE has determined that this product meets the ENERGY STAR guidelines for energy efficiency.