

GSC3500V

GE® Convertible Dishwasher

Dimensions and Installation Information (in inches)

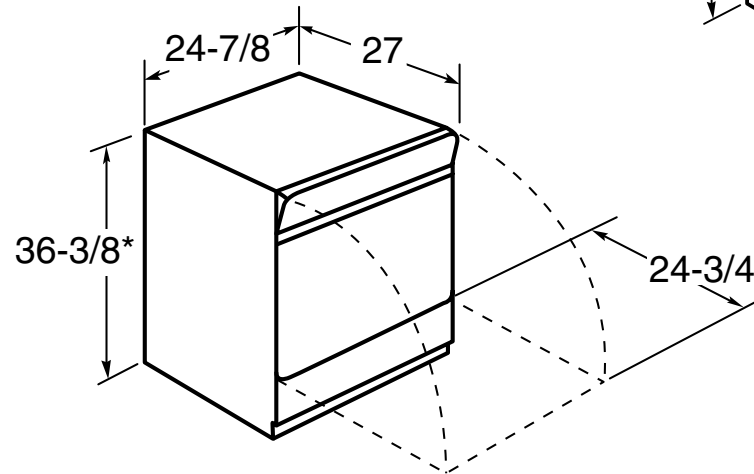
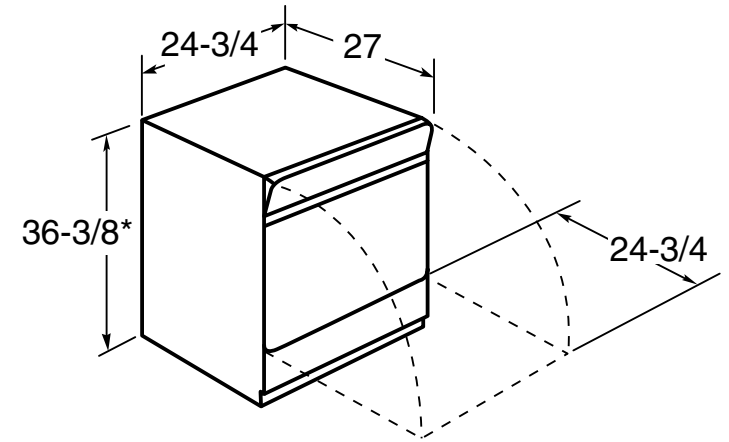
Electrical Rating

Voltage AC.....	120
Hertz.....	60
Total connected load amperage.....	6.2
Calrod® heater watts max.....	500

For use on adequately wired 120-volt, 15-amp circuit having 2-wire service with a separate ground wire. This appliance must be grounded for safe operation.

Important Note: GE Kit number WD35M34 needed when adapting GE Convertible Dishwasher to a built-in installation. Contains built-in dishwasher water valve, hardware and complete instructions for changing a GE Convertible Dishwasher to an under-the-counter installation.

Installation Information: Before installing, consult installation instructions packed with product for current dimensional data.



For answers to your Monogram®, GE Profile™ or GE® appliance questions, visit our website at geappliances.com or call GE Answer Center® service, 800.626.2000.

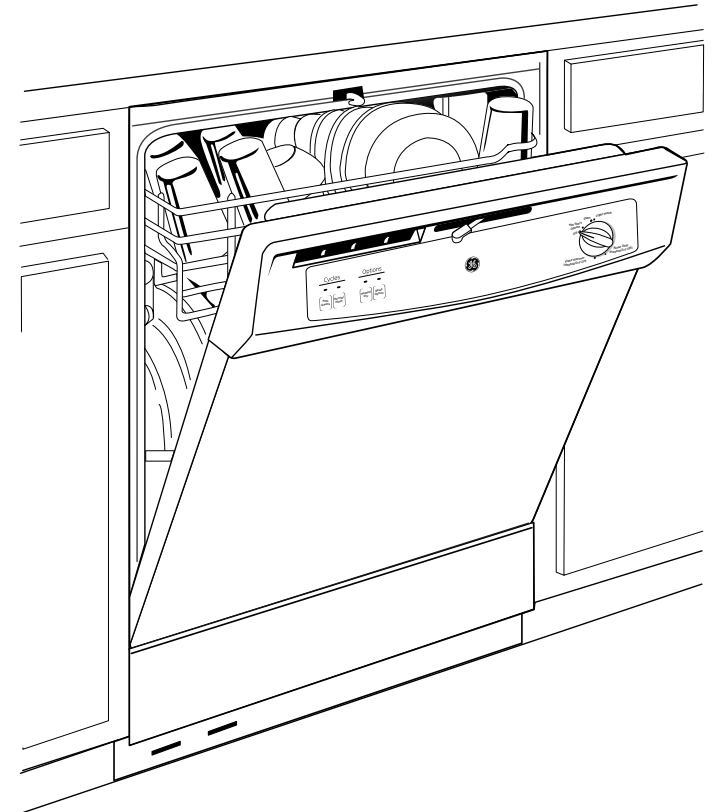


GSC3500V

GE® Convertible Dishwasher

Features and Benefits

- 4-level PowerScrub™ wash system - Powerful wash cleans dishes thoroughly
- Two-stage filtration with ExtraFine™ filter - Extra filtration keeps water clean
- Piranha™ hard food disposer - Grinds food into small particles that are washed away
- Pots and Pans cycle - removes difficult soils from cookware
- 64 dBA - motor runs quietly to keep kitchen peaceful
- Up to 12-place setting capacity racking - Provides flexibility to wash a variety of dishes at once
- Woodgrain laminate top - Creates a durable, attractive surface
- Model GSC3500VWW - White on white
- Model GSC3500VBB - Black on black



imagination at work