

# GSD4000/4060N

## GE® Built-In Dishwasher

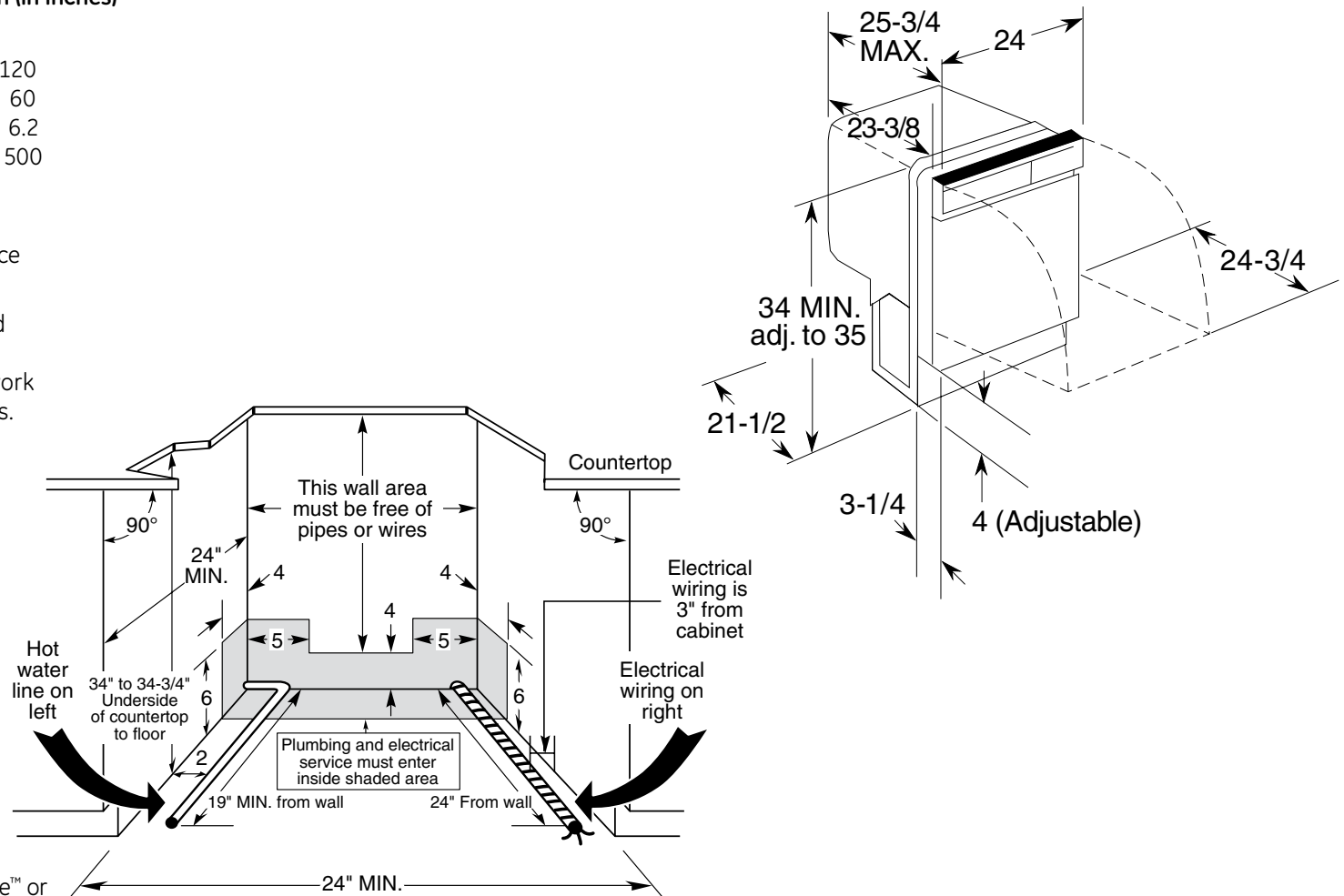
### Dimensions and Installation Information (in inches)

#### Electrical Rating

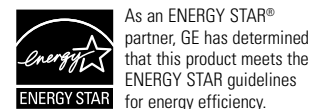
Voltage AC.....	120
Hertz.....	60
Total connected load amperage.....	6.2
Calrod® heater watts max.....	500

For use on adequately wired 120-volt, 15-amp circuit having 2-wire service with a separate ground wire. This appliance must be grounded for safe operation.

**Note:** Dishwasher must not be installed more than 10 feet from sink for proper drainage. All plumbing and electrical work must be in accordance with local codes.



For answers to your Monogram®, GE Profile™ or GE® appliance questions, visit our website at [ge.com](http://ge.com) or call GE Answer Center® service, 800.626.2000.

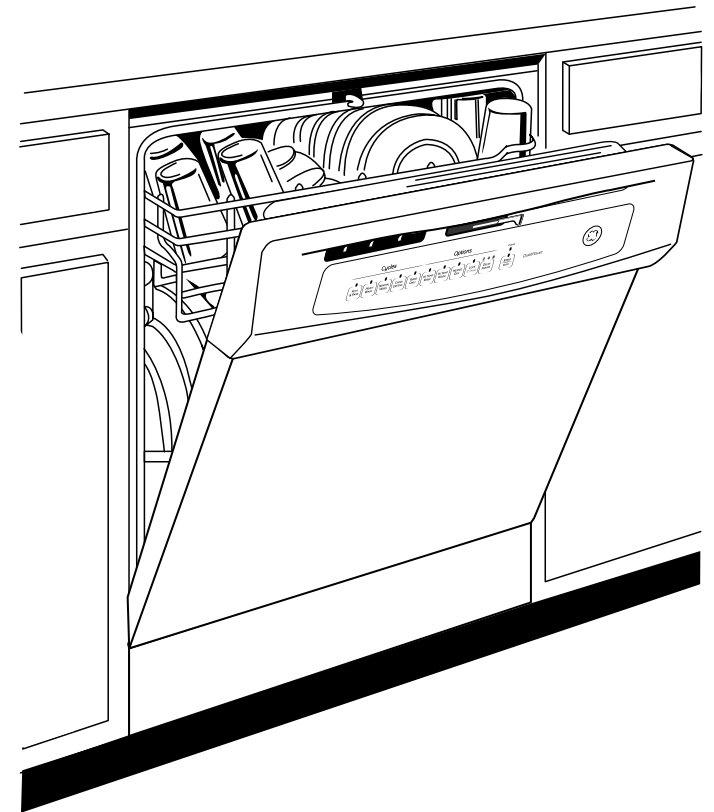


# GSD4000/4060N

## GE® Built-In Dishwasher

### Features and Benefits

- 5-Level PowerScrub™ Wash System with PowerShower - 5 wash levels and redesigned wash arms direct water precisely for a quiet and efficient clean
- Electronic Controls - Provide a modern look with a smooth, easy-to-use, easy-to-clean surface
- 100% Water Filtration with ExtraFine™ Filter - Clean water helps deliver clean dishes
- 2/4/8-Hour Delay Start - Makes it easier than ever to wash dishes at any hour taking advantage of reduced energy rates or washing dishes even when the family is asleep
- Meets 2007 ENERGY STAR® Criteria - Can reduce utility bill by using less water to get dishes clean
- China/Crystal Cycle - Protects delicate dishes and glassware by lowering the water temperature during the cycle
- Model GSD4000NWW - White on white
- Model GSD4000NCC - Bisque on bisque
- Model GSD4000NBB - Black on black
- Model GSD4060NSS - Stainless steel



GSD4000NWW/BB/CC