

GSM1800NWW/BB

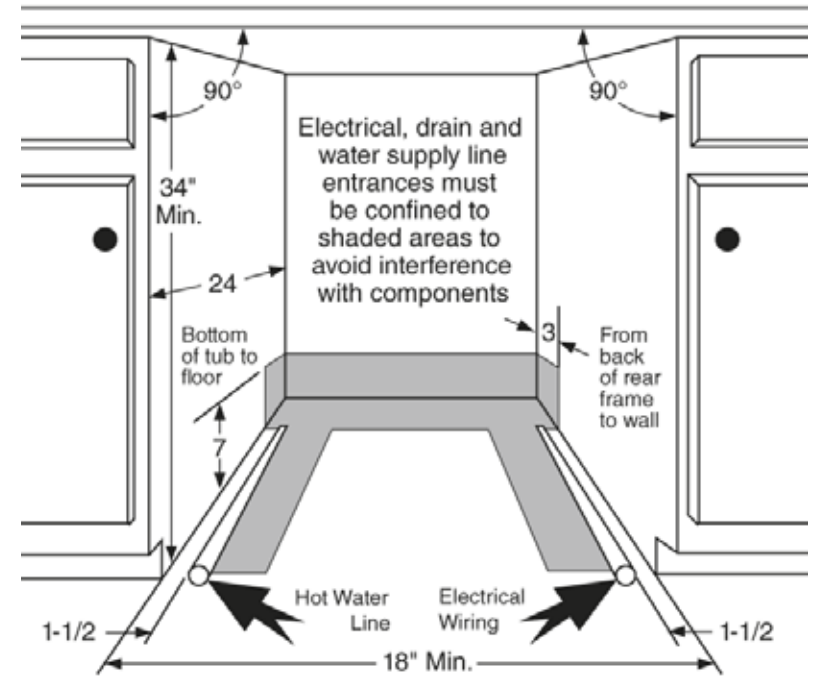
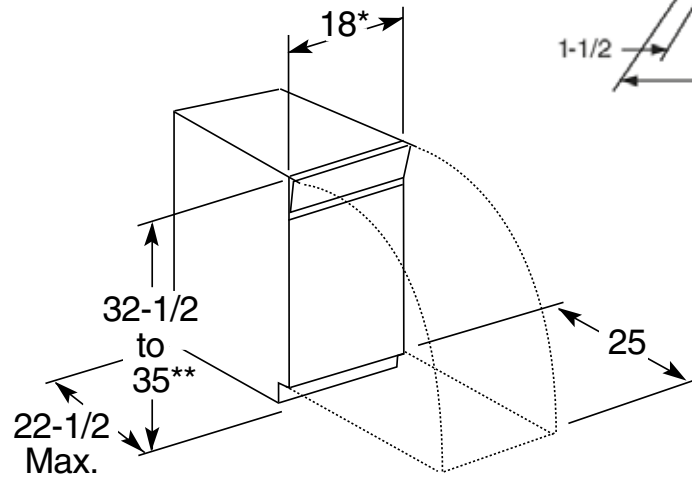
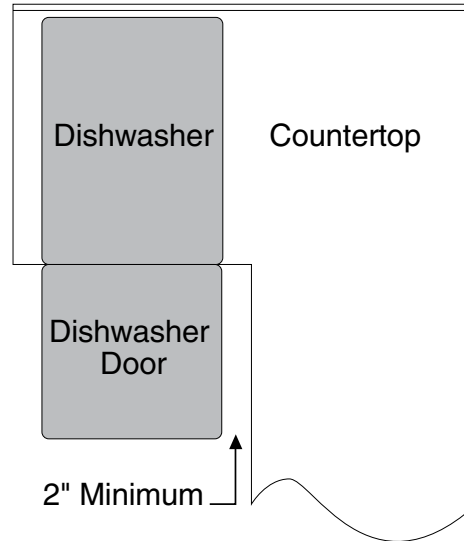
GE® 18" Built-In Dishwasher

Dimensions and Installation Information (in inches)

Electrical Rating

Voltage AC.....120
 Hertz.....60
 Total connected load amperage.....9.0
 Calrod® heater watts max.....550

For use on adequately wired 120-volt, 15-amp circuit having 2-wire service with a separate ground wire. This appliance must be grounded for safe operation.



*Width adjustable from 17-5/8" to 18".
 **Meets ADA countertop height requirement of 34".

For answers to your Monogram®, GE Profile™ or GE® appliance questions, visit our website at ge.com or call GE Answer Center® service, 800.626.2000.



GSM1800NWW/BB

GE® 18" Built-In Dishwasher

Features and Benefits

- Bright Annealed Stainless Steel Interior – A lustrous finish and lasting beauty that resists stains and corrosion
- Full-Length Flat Door – Blends almost seamlessly with adjacent cabinetry
- Nylon Racks – Heavy-duty design secures and protects dishes during each cycle
- Removable Upper Rack – Pulls out completely to allow for washing large items
- China/Crystal Selection – Protects delicate glassware and dishes by lowering the water temperature during the cycle
- Pots and Pans Cycle – Scours off burned-on food with hot water and maximum water pressure
- ADA-Compliant for Height – Designed for easy access and operation
- Model GSM1800NWW - White on white
- Model GSM1800NBB - Black on black

