

# PDT750SSF

## GE® Stainless Steel Interior Dishwasher with Hidden Controls

### Dimensions and Installation Information (in inches)

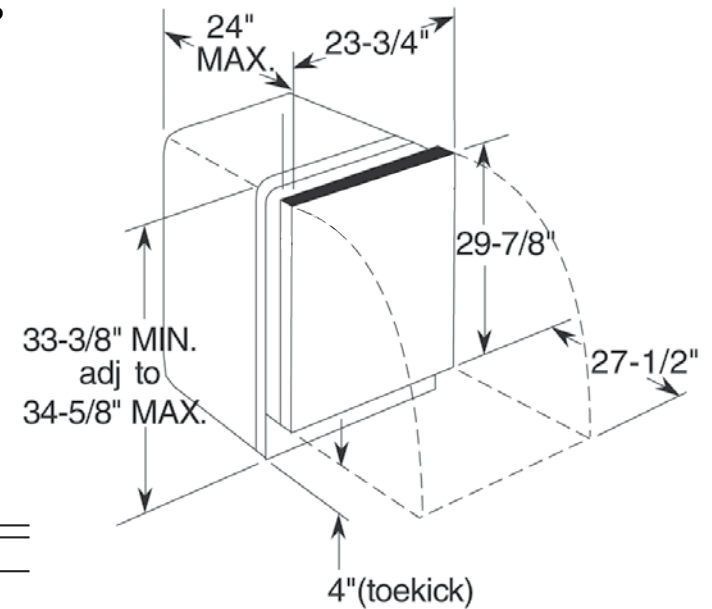
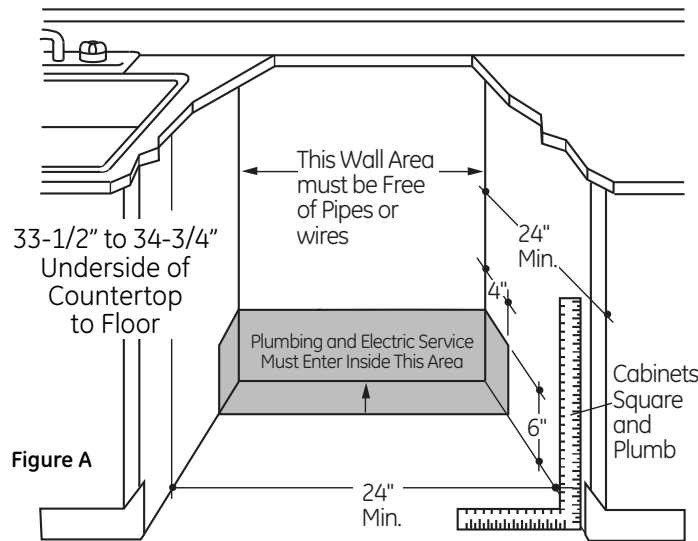
#### Electrical Rating

Voltage AC.....	120
Hertz.....	60
Total connected load amperage.....	9.9
Calrod® heater watts max.....	1000

For use on adequately wired 120-volt, 15-amp circuit having 2-wire service with a separate ground wire. This appliance must be grounded for safe operation.

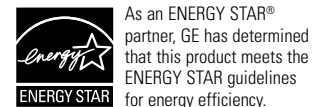
**Installation Information:** Before installing, consult installation instructions packed with product for current dimensional data.

†† Add 1/2" for deepest part of contour door. Allow an additional 2" for the handle on PDWT500/PDWT400/PDWT200 Series models.



- The rough cabinet opening must be at least 24" deep, 24" wide and approximately 34-1/2" high from floor to underside of the countertop.

For answers to your Monogram® Cafe™ Series, Profile™ Series or GE® appliance questions, visit our website at [geappliances.com](http://geappliances.com) or call GE Answer Center® service, 800.626.2000.

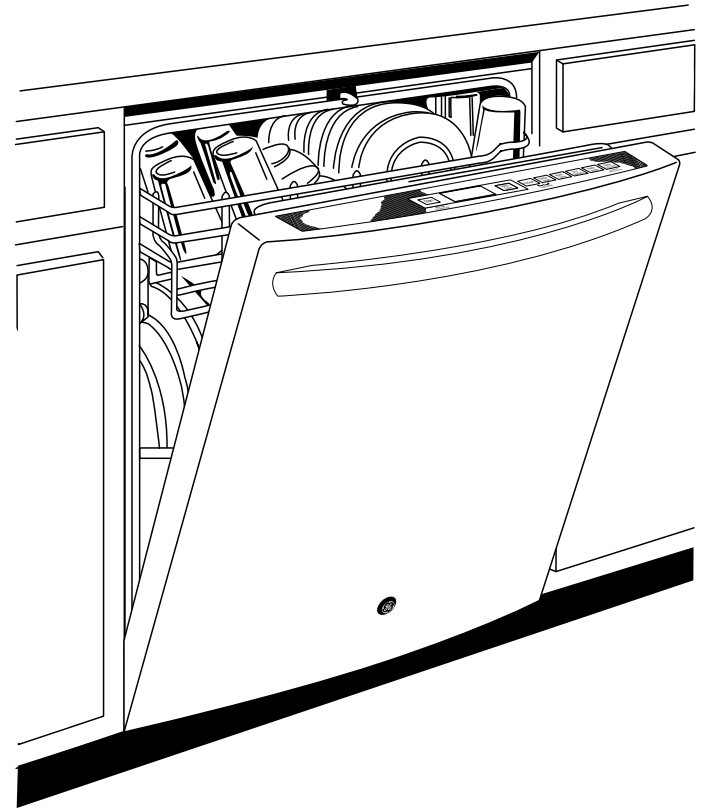


# PDT750SSF

## GE® Stainless Steel Interior Dishwasher with Hidden Controls

### Features and Benefits

- Full stainless steel interior - Enjoy an attractive appearance and long-lasting durability
- GE's most advanced wash system with 100+ cleaning jets - Achieve the ultimate clean from an industry-leading number of jets that deliver complete washing coverage to every corner of the dishwasher
- Reversing Quad Blade Wash Arm - Dishes come out impressively clean thanks to this revolutionary lower wash arm, with 25 spray jets reversing direction to hit items from every angle
- Bottle Wash Jets - Hard-to-reach areas inside tall items get completely clean with four dedicated jets integrated into the upper rack that shower water deep inside for the ultimate clean
- Side Jets - Cascading water fills the dishwasher while hydrating soils
- Easy Touch Adjustable Upper Rack with 2 Stem Safe - Quickly adjust the upper rack 2 inches up or down to accommodate tall glassware and 10 ½" plates with plenty of room in the bottom rack for large platters and cookie sheets
- 42 dBA with LED status indicator on door - A dishwasher this quiet has a status indicator to tell you if the dishwasher is Washing, Drying or Clean
- Model PDT750SSFSS - Stainless steel



imagination at work