

PDW7300/80N

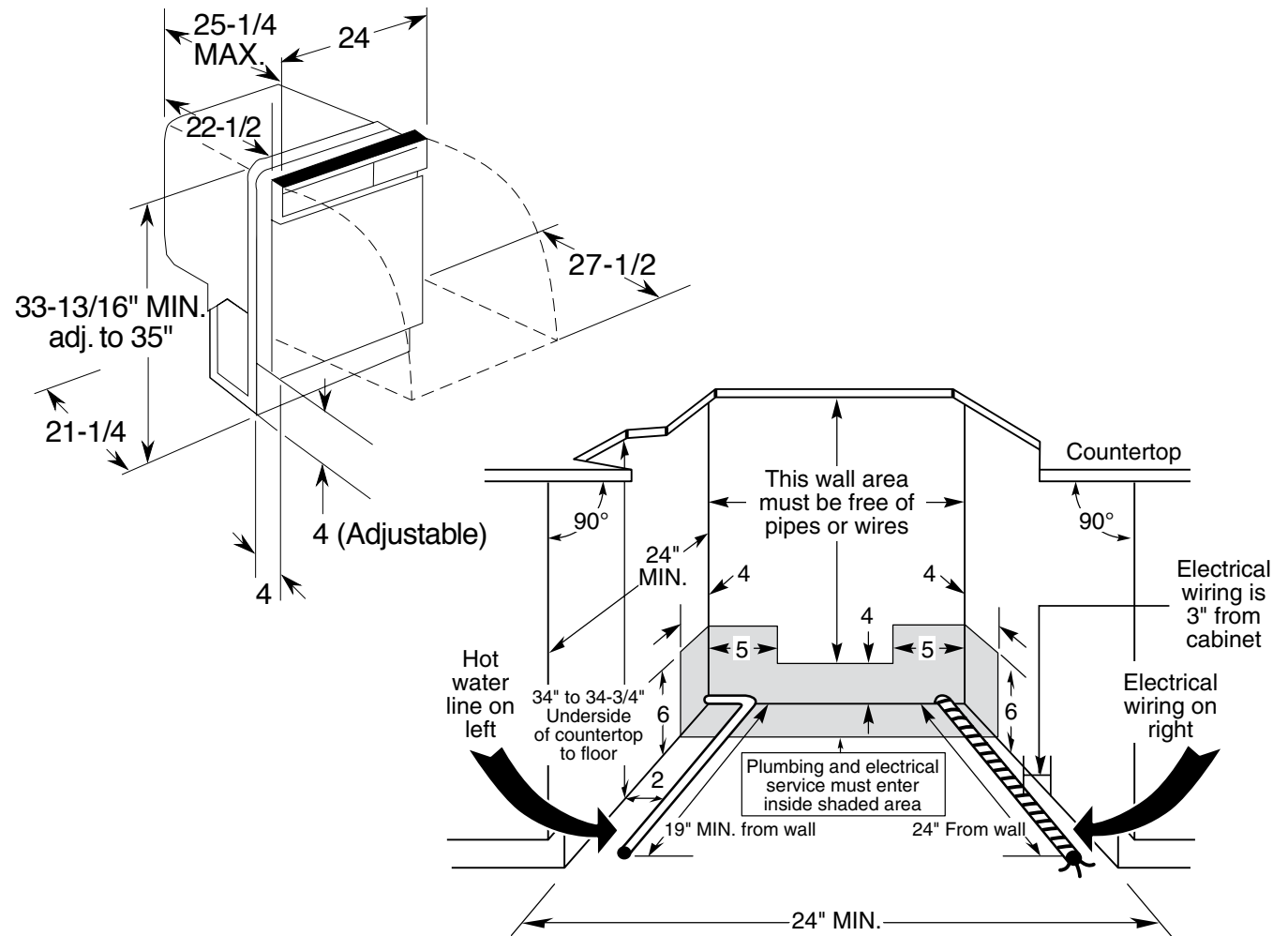
GE Profile™ Built-In Dishwasher

Dimensions and Installation Information (in inches)

Electrical Rating

Voltage AC.....	120
Hertz.....	60
Total connected load amperage.....	9.1
Calrod® heater watts max.....	875

For use on adequately wired 120-volt, 15-amp circuit having 2-wire service with a separate ground wire. This appliance must be grounded for safe operation.



For answers to your Monogram,® GE Profile™ or GE® appliance questions, visit our website at ge.com or call GE Answer Center® service, 800.626.2000.



Listed by Underwriters Laboratories



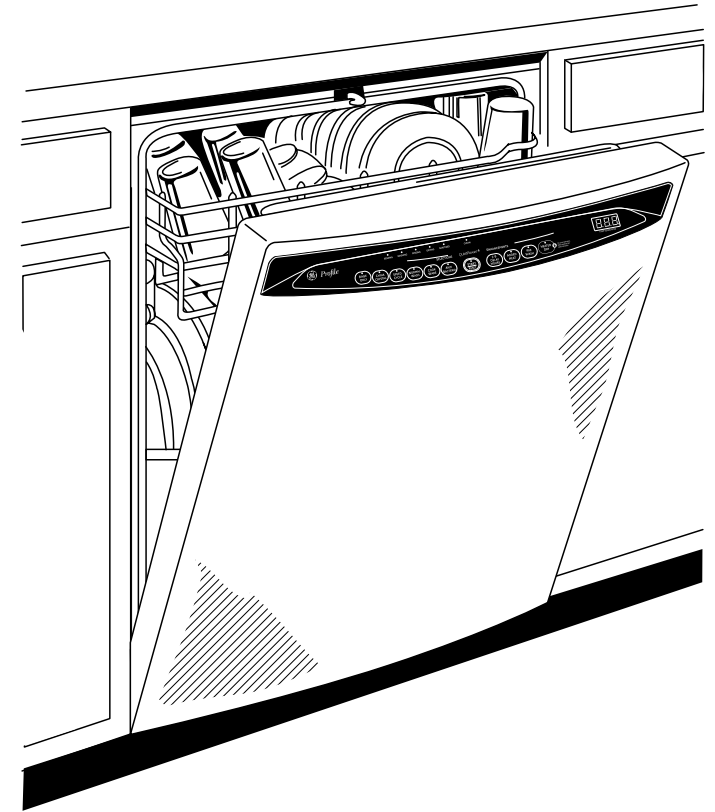
As an ENERGY STAR® partner, GE has determined that this product meets the ENERGY STAR guidelines for energy efficiency.

PDW7300/80N

GE Profile™ Built-In Dishwasher

Features and Benefits

- One-Piece Color Wrap Contour Door - Provides a rich contemporary look in any kitchen
- Giant Tub with Maximum Capacity Nylon Racking - Holds tall and oversized items; washes 16 place settings at once
- Four-Position Adjustable Upper Rack - Moves up, down and diagonally for maximum loading flexibility
- Countdown display with 1-9 hour Delay Start - Signals remaining cycle time and makes it easier than ever to wash dishes at any hour, taking advantage of reduced energy rates or washing dishes even when the family is asleep
- 6-Level BrilliantClean™ Towerless Wash System with CleanSensor™ - Scrubs dishes clean with three full-sized wash arms, six levels of wash action and a sensor that continually monitors and adjusts the wash cycle for a superior clean
- QuietPower™ 4 Sound Package - Adds extra insulation to keep the kitchen extra quiet
- SpeedCycle™ - Cuts the length of the normal cycle in half, washing and drying lightly soiled dishes effectively in 45 minutes or less
- Model PDW7300NWW - White on white
- Model PDW7300NCC - Bisque on bisque
- Model PDW7300NBB - Black on black
- Model PDW7380NSS - Stainless steel (shown)



As an ENERGY STAR® partner, GE has determined that this product meets the ENERGY STAR guidelines for energy efficiency.