

Installation Instructions

Sound Upgrade



BEFORE YOU BEGIN

Read these instructions completely and carefully.

IMPORTANT – Observe all governing codes and ordinances.

Note to Installer – Be sure to leave these instructions with the Consumer.

Note to Consumer – Keep these instructions with your Owner's Manual for future reference.



WARNING:

To prevent electric shock, disconnect electrical power supply to the dishwasher before beginning kit installation.

Within this package, you will find the plastic toekick brace assembly needed to complete the sound upgrade. Please follow the instructions below along with reference to Steps 5 and 19 in the Installation Instruction booklet (included in the user bag) for installing this sound upgrade component. This applies only to PDW9200 series, PDW9700 series, PDW9900 series, ZBD68XX series and ZBD07XX series.

- The unit is shipped with a factory installed metal toekick brace. This brace is attached with screws and is removed in Step 5 of the Installation Instruction booklet.
- The plastic toekick brace replaces the metal toekick brace and is installed using the screws set aside in Step 5 of the Installation Instruction booklet.
- Attach the plastic toekick brace as shown in Figure LL using the screws set aside in Step 5 of the Installation Instruction booklet. The lower set of mounting holes may be used if desired.
- Discard the metal toekick brace.
- Place the toekick (removed in Step 4 of the Installation Instruction booklet) against the legs of the dishwasher.
- Align the toekick with the bottom edge and make sure it is against the floor.
- Insert and tighten the two (2) toekick attachment screws, Figure MM. The toekick should stay in contact with the floor.

Tip: Make sure toekick is against floor to minimize noise.

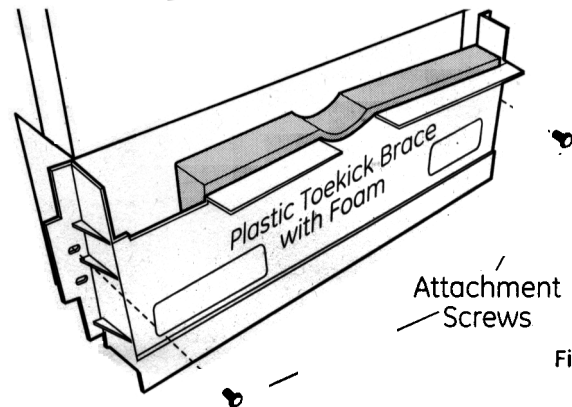
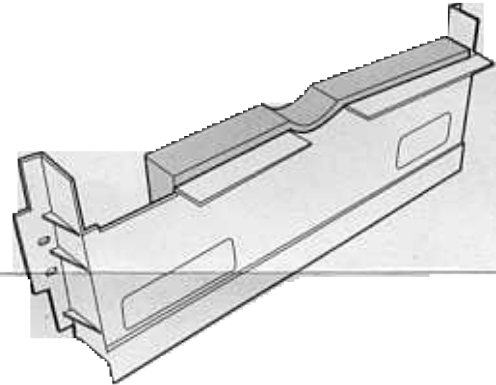


Figure LL

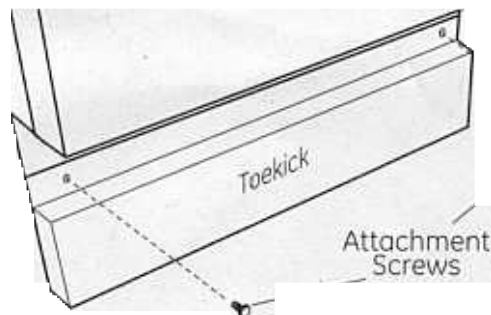


Figure MM