

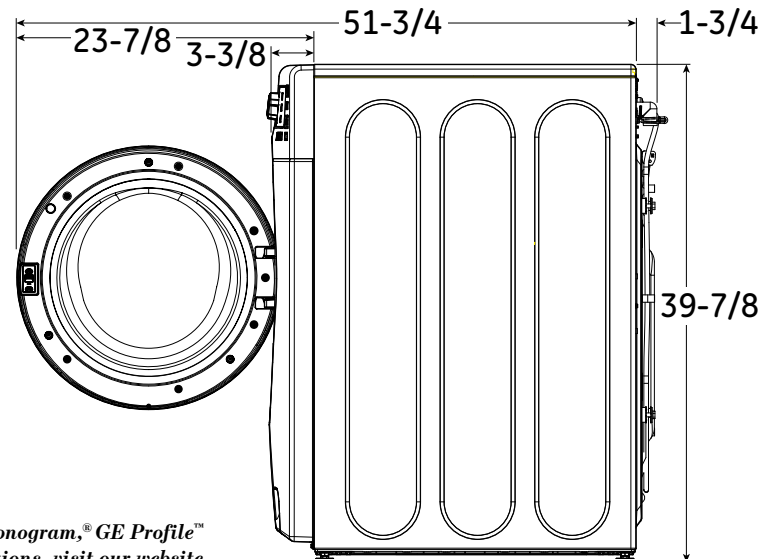
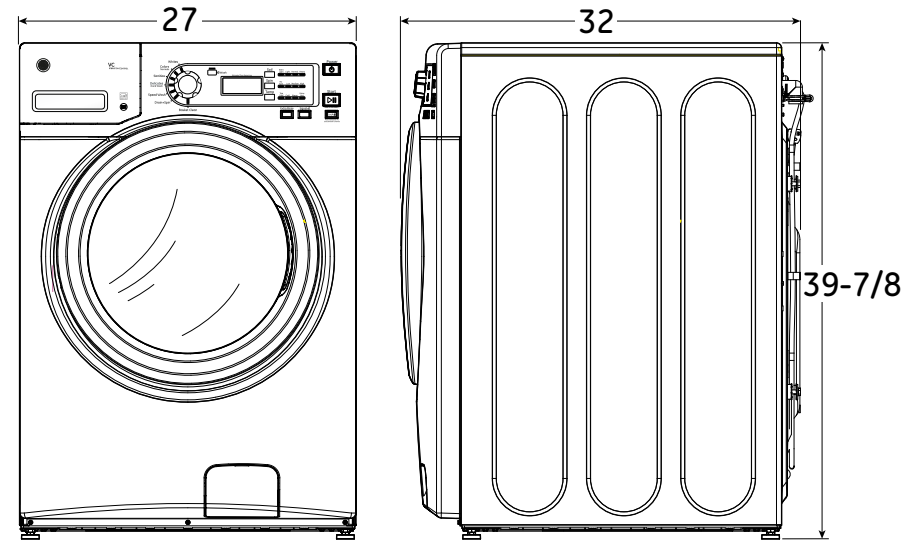
# GFWH1200H

GE® Energy Star® 3.6 DOE IEC Cu. Ft. Capacity Front Load Washer  
with Stainless Steel Basket

## DIMENSIONS AND INSTALLATION INFORMATION (IN INCHES)

Electric Rating	
120V	12.0A, 60Hz

**INSTALLATION INFORMATION:** For complete information, see installation instructions packed with your washer.



GE APPLIANCES

For answers to your Monogram,® GE Profile™ or GE® appliance questions, visit our website at [geappliances.com](http://geappliances.com) or call GE Answer Center® service, 800.626.2000.



Listed by  
Underwriters  
Laboratories

Specification Created 5/15

# GFWH1200H

## GE® Energy Star® 3.6 DOE IEC Cu. Ft. Capacity Front Load Washer with Stainless Steel Basket

### SPECIAL INSTALLATION REQUIREMENTS:

#### STACKED INSTALLATION:

- Brackets for stacking dryer over washer are not included with the washer. Order part no. GEFLSTACK or part no. WE25X10018.

#### ALCOVE OR CLOSET INSTALLATION:

- If your dryer is approved for installation in an alcove or closet, it will be stated on a label on the dryer back.
- The dryer **MUST** be exhausted to the outside.
- Minimum clearances between dryer cabinet and adjacent walls or other surfaces are: 0" either side, 3" front and rear
- Minimum vertical space from floor to overhead cabinets, ceilings, etc. is 52".
- Closet doors must be louvered or otherwise ventilated and must contain a minimum of 60 sq. in. of open area equally distributed. If this closet contains both a washer and a dryer, doors must contain a minimum of 120 sq. in. of open area equally distributed.
- No other fuel-burning appliance shall be installed in the same closet with a gas dryer.

#### BATHROOM OR BEDROOM INSTALLATION:

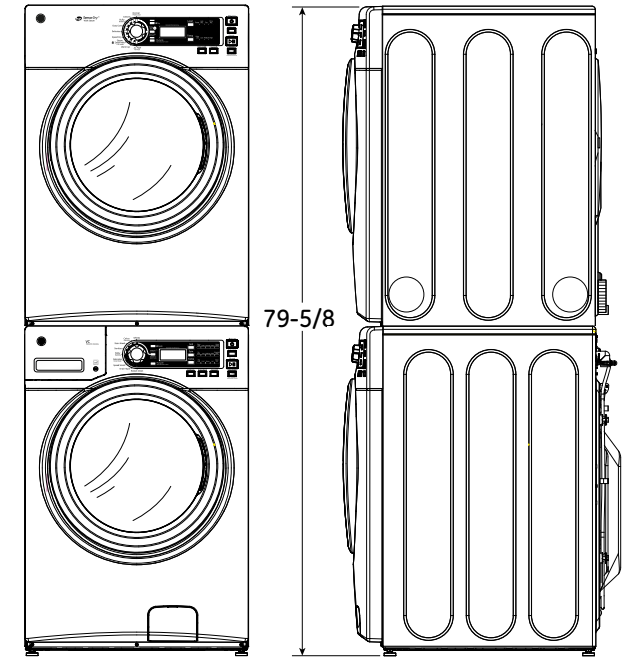
- The dryer **MUST** be exhausted to the outdoors.
- The installation must conform with the local codes, or in the absence of local codes, with the National Electric Code and National Fuel Gas Code, ANSI Z223.

#### MINIMUM CLEARANCE OTHER THAN ALCOVE OR CLOSET INSTALLATIONS:

- Minimum clearances to combustible surfaces 0" both sides, 3" rear.

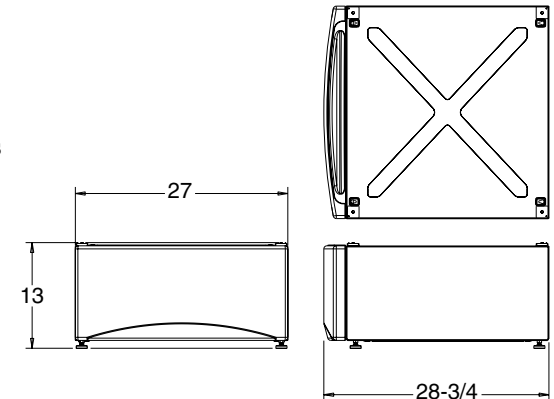
**FOR MORE INFORMATION ON VENTING KITS AND ACCESSORIES, PLEASE CALL 1-800-GE-CARES.**

### STACKED DIMENSIONS (IN INCHES)



### PEDESTAL DIMENSIONS (IN INCHES) SBSD137HWW - WHITE

This optional 13" pedestal raises the door opening and height of the washer or dryer. Feet on 13" pedestal allow it to adjust to 13-3/8" height.



Above illustrations intended for dimensional reference only. Refer to photography for actual product appearance.



GE APPLIANCES

For answers to your Monogram,® GE Profile™ or GE® appliance questions, visit our website at [geappliances.com](http://geappliances.com) or call GE Answer Center® service, 800.626.2000.



Specification Created 5/15

# GFWH1200H

## GE® Energy Star® 3.6 DOE IEC Cu. Ft. Capacity Front Load Washer with Stainless Steel Basket

### FEATURES AND BENEFITS

Internal water heater – Boosts water temperatures and helps achieve sanitization

NSF® Sanitize Cycle – Feel comfort knowing clothes are sanitized and 99.9% of bacteria has been removed thanks to an internal water heater that boosts the water temperature

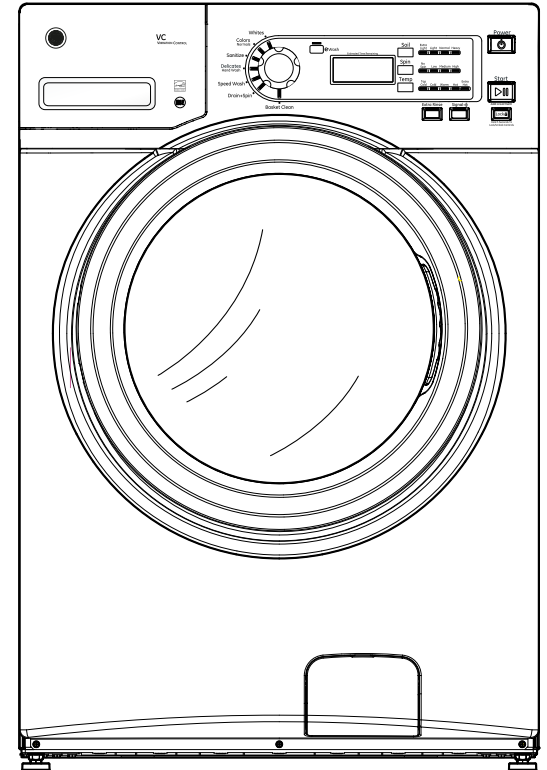
Speed Wash – Provides a quick wash for lightly soiled items that are needed in a hurry

1100 RPM spin speed – Fast speeds remove more water during the spin cycle to minimize drying time

Vibration Control – Adjusts spin patterns for each floor typed for a smoother wash without walking or shaking

ENERGY STAR® qualified and CEE Tier I – Meets or exceeds federal guidelines for energy efficiency for year-round energy and money savings

Model GFWH1200HWW – White



<b>iModified Energy Factor (iMEF)</b>	3.25
<b>iWater Factor (iWF)</b>	2.9



**GE APPLIANCES**

