



# Washers

**Safety Instructions** ..... 2, 3

**Operating Instructions**

Controls ..... 4-8

Features ..... 9, 10

Loading ..... 10

**Care and Cleaning** ..... 11, 12

**Installation Instructions**

Preparing to Install Your Washer ..... 13

Location of Your Washer ..... 14

Rough-In Dimensions ..... 14

Unpacking Your Washer ..... 15

Electrical Requirements ..... 16

Grounding Requirements ..... 16

Water Supply Requirements ..... 16

Drain Requirements ..... 16

Installing the Washer ..... 17, 18

Replacement Parts ..... 18

**Troubleshooting Tips** ..... 19-22

**Consumer Support**

Warranty ..... 23

Consumer Support ..... 24

**Owner's Manual & Installation Instructions**

- GFWS1705
- GFWS1700
- GFWN1600
- GFWN1300
- GFWH1200
- GFWN1100

**English/Français/Español**



As an ENERGY STAR® partner, GE has determined that this product meets the ENERGY STAR® guidelines for energy efficiency.

**Write the model and serial numbers here:**

**Model #** \_\_\_\_\_




**Serial #** \_\_\_\_\_

You can find them on a label on the side of the washer.


# IMPORTANT SAFETY INFORMATION.

## READ ALL INSTRUCTIONS BEFORE USING.

 This is the safety alert symbol. This symbol alerts you to potential hazards that can kill you or hurt you and others. All safety messages will follow the safety alert symbol and the word "DANGER", "WARNING", or "CAUTION". These words are defined as:

-  **DANGER** Indicates a hazardous situation which, if not avoided, **will** result in death or serious injury.
-  **WARNING** Indicates a hazardous situation which, if not avoided, **could** result in death or serious injury.
-  **CAUTION** Indicates a hazardous situation which, if not avoided, **could** result in minor or moderate injury.

## IMPORTANT SAFETY INSTRUCTIONS

 **WARNING** To reduce the risk of death, fire, explosion, electric shock, or injury to persons when using your appliance, follow basic precautions, including the following:

- Read all instructions before using the appliance.
- DO NOT wash or dry articles that have been previously cleaned in, washed in, soaked in or spotted with gasoline, dry-cleaning solvents, or other flammable or explosive substances, as they give off vapors that could ignite or explode.
- DO NOT add gasoline, dry-cleaning solvents, or other flammable or explosive substances to the wash water. These substances give off vapors that could ignite or explode.
- Under certain conditions, hydrogen gas may be produced in a hot-water system that has not been used for 2 weeks or more. HYDROGEN GAS IS EXPLOSIVE. If the hot water system has not been used for such a period, before using a washing machine, turn on all hot-water faucets and let the water flow from each for several minutes. This will release any accumulated hydrogen gas. As the gas is flammable, DO NOT smoke or use an open flame during this time.
- DO NOT allow children to play on or in this appliance. Close supervision of children is necessary when this appliance is used near children. Before the washer is removed from service or discarded, remove the door or lid. Failure to follow these instructions may result in death or injury to persons.
- DO NOT reach into the appliance if the tub or agitator is moving to prevent accidental entanglement.
- DO NOT install or store this appliance where it will be exposed to the weather.
- DO NOT tamper with controls, repair or replace any part of this appliance or attempt any servicing unless specifically recommended in the user maintenance instructions or in published user repair instructions that you understand and have the skills to carry out.
- DO NOT operate this appliance if it is damaged, malfunctioning, partially disassembled, or has missing or broken parts including a damaged cord or plug.
- Unplug the appliance or turn off the circuit breaker before servicing. Pressing the **Power** button DOES NOT disconnect power.
- See "Electrical Requirements" located in the Installation Instructions for grounding instructions.

## SAVE THESE INSTRUCTIONS

 **WARNING**  - Fire Hazard

Never place items in the washer that are dampened with gasoline or other flammable liquids.  
No washer can completely remove oil.  
Do not dry anything that has ever had any type of oil on it (including cooking oils).  
Doing so can result in death, explosion, or fire.

## PROPER INSTALLATION



This washer must be properly installed and located in accordance with the Installation Instructions before it is used. If you did not receive an Installation Instructions, you can receive one by visiting [GEAppliances.com](http://GEAppliances.com) or by calling 800.GE.CARES (800.432.2737). In Canada, visit [www.geappliances.ca](http://www.geappliances.ca) or call 800.561.3344.

- Ensure that the hot water hose is connected to the “H” (internal red screened) valve and the cold water hose is connected to the “C” (internal blue screened) valve.
- Install or store where it will not be exposed to temperatures below freezing or exposed to the weather, which could cause permanent damage and invalidate the warranty.
- Properly ground washer to conform with all governing codes and ordinances. Follow details in Installation Instructions.

- This washer does not include water supply hoses.

GE strongly recommends the use of factory specified parts. A list of factory hoses available for purchase are listed below. These hoses are manufactured and tested to meet GE specifications.

GE strongly recommends the use of new water supply hoses. Hoses degrade over time and need to be replaced every 5 years to reduce the risk of hose failures and water damage.

### Parts and Accessories

Order on-line at [GEApplianceparts.com](http://GEApplianceparts.com) today, 24 hours a day or by phone at 800.626.2002 during normal business hours. In Canada, call 800.661.1616.

Part Number	Accessory
PM14X10002	4 ft Rubber Water Supply Hoses
Or	
PM14X10005	4 ft Braided Metal Water Supply Hoses
WX10X10011	Tide® Washing Machine Cleaner*
PM7X1	Washer Floor Tray

### ⚠ WARNING



### - Electrical Shock Hazard

Plug into a grounded 3 prong outlet.

**DO NOT** remove ground prong.

**DO NOT** use an adapter.

**DO NOT** use an extension cord.

Failure to follow these instructions can result in death or electrical shock.

## WHEN NOT IN USE



- Turn off water faucets to minimize leakage if a break or rupture should occur. Check the condition of the fill hoses; GE recommends changing the hoses every 5 years.

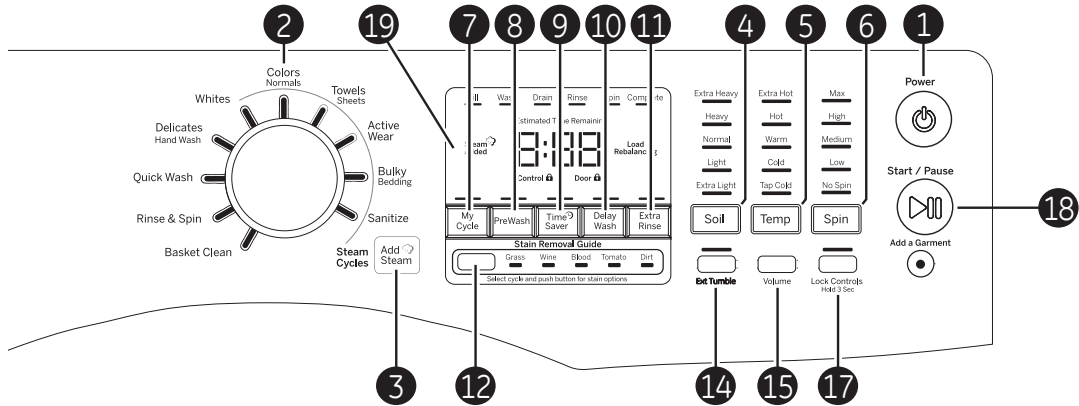
## SAVE THESE INSTRUCTIONS

# About the washer control panel.

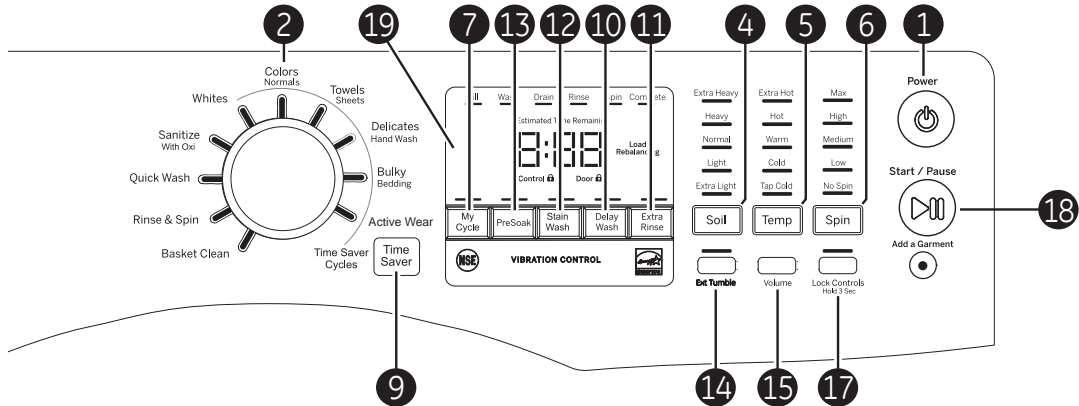
Throughout this manual, features and appearance may vary from your model.

You can locate your model number on a label on the side of the washer or inside the washer door.

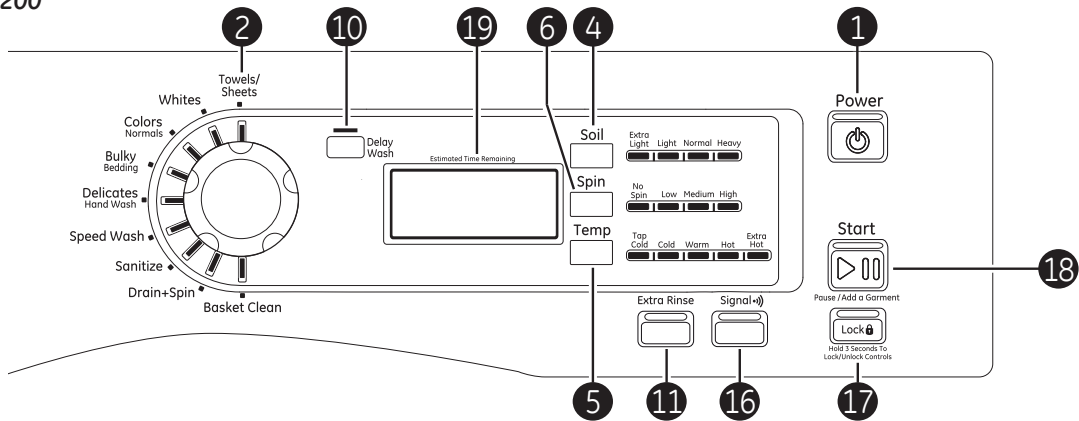
Models: **GFWS1700 and GFWS1705 - Steam Washer with Time Saver**



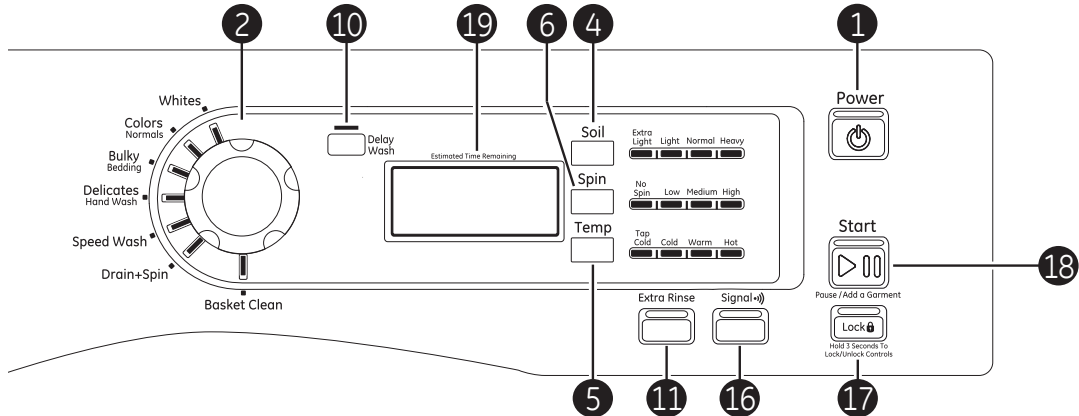
Model: **GFWN1600 - Washer with Time Saver**



Model: **GFWH1200**



Models: **GFWN1100 and GFWN1300**



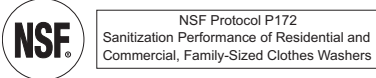
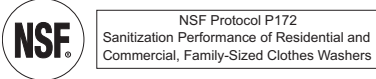
## 1 Power

Press to “wake up” the display. If the display is active, press to put the washer into standby mode.

**NOTE:** Pressing **Power** does not disconnect the appliance from the power supply.







## 2 Wash Cycles

The wash cycles are optimized for specific types of wash loads. The chart below will help you match the wash setting with the loads.

<b>Colors/Normals*</b>	For heavily to lightly soiled colorfast cottons, household linens, work and play clothes.
<b>Whites*</b>	For heavily to lightly soiled white laundry, work and play clothes.
<b>Bulky/Bedding*</b>	For large items such as comforters, blankets, small rugs and similar bulky items.
<b>Active Wear*</b> (on some models)	For active sports, exercise and some casual wear clothes. Fabrics include modern technology finishes and fibers such as spandex, stretch and micro-fibers.
<b>Sanitize*</b> (on some models)	For increased water temperature which will sanitize and kill more than 99.9% of many common bacteria found in home laundry. For best results, select the extra heavy soil setting when using the <b>Sanitize</b> cycle. 
<b>Sanitize with Oxi</b> (on some models)	The <b>Sanitize with Oxi</b> cycle, when using an Oxi additive along with your detergent, is designed to remove 99.9% of bacteria found in home laundry. Measure the detergent and the Oxi products carefully. Using the amounts appropriate for a large heavily soiled load, follow the detergent and the Oxi product label instructions. The detergent should be added using the dispenser instructions as shown on page 9 of this guide. Place the Oxi product directly in the bottom of the wash basket, before adding the clothes. The washer hot water supply connection must provide a minimum of 120°F to ensure the effectiveness of this cycle. <b>NOTE:</b> The default <b>Sanitize With Oxi</b> cycle water temperature can <b>NOT</b> be changed. The <b>Sanitize With Oxi</b> cycle is certified by NSF International, an independent third party testing and certification organization. The certification verified that the cycle reduced 99.9% of bacteria typically found in residential laundry and that no significant contamination is transferred to subsequent washer loads. Only the <b>Sanitize With Oxi</b> cycle has been designed to meet the requirements of NSF Protocol P172 for sanitizing effectiveness. 
<b>Towels/Sheets*</b> (on some models)	For items such as towels, sheets, pillowcases and dish rags.
<b>Delicates/ Hand Wash</b>	For items labeled hand-washable with light soils. Provides gentle tumbling and soak during wash and rinse.
<b>Speed Wash or Quick Wash</b>	For lightly soiled items that are needed in a hurry. Cycle time is approximately 30 minutes, depending on selected options.
<b>Rinse &amp; Spin</b> (on some models)	To quickly rinse and spin out any items at any time. To achieve a Drain + Spin, deselect the <b>Extra Rinse</b> option.
<b>Drain + Spin</b> (on some models)	To quickly drain and spin out any items at any time.
<b>Basket Clean</b>	Use for cleaning the basket of residue and odor. <b>Recommended use of at least once per month.</b> <b>NOTE:</b> Never load laundry while using <b>Basket Clean</b> . The laundry may become damaged. See the <b>Care and Cleaning</b> section.

\* The **Add Steam** option (on some models) can be used with these cycles.

## Control settings.

- 
- 3**  **Add Steam** (on some models)  
**Add Steam** adds steam into the washer to assist with loosening stains on the **Whites, Colors/Normal, Towels/Sheets, Active Wear** or **Power Clean** (depending on model), **Bulky Bedding** or **Sanitize** cycles.
- To use:**
1. Turn power **ON** and select a wash cycle.
  2. Select the **Add Steam** button to activate steam.
  3. Press the **Start/Pause** button.
- 
- 4**  **Soil**  
(appearance will vary)
- Soil**  
Change the **Soil** level to increase or decrease the wash time to remove different amounts of soil.
- To change the **Soil** level, press the **Soil** level button until you have reached the desired setting. You can choose between Extra Light, Light, Normal, Heavy or Extra Heavy soil levels.
- 
- 5**  **Temp**  
(appearance will vary)
- Temp**  
Adjust to select the proper main water temperature for the wash cycle. The **PreSoak** and **PreWash** rinse water is always cold to help reduce energy usage and reduce setting of stains and wrinkles.
- Follow the fabric manufacturer's care label when selecting the wash temperature.
- To change the wash temperature, press the wash **Temp** button until you have reached the desired setting. You can choose between Tap Cold, Cold, Warm, Hot or Extra Hot (Extra Hot is available on models equipped with a heater). By design, to protect fabrics, not all wash temperatures are available for certain wash cycles.
- NOTE:** The first 10 seconds of the wash fill is always cold. This feature assists in conditioning the fabric and preventing stains from setting on garments.
- 
- 6**  **Spin**  
(appearance will vary)
- Spin**  
Changing the **Spin** speed changes the final spin speed of the cycles. Always follow the garment manufacturer's care label when changing the **Spin** speed.
- To change the **Spin** speed, press the **Spin** speed button until you have reached the desired setting. You can choose between No Spin, Low, Medium, High or Max. Higher spin speeds are not available on certain cycles, such as **Delicates**.
- Higher spin speeds remove more water from the clothes and will help reduce dry time, but may also increase the possibility of setting wrinkles on some fabrics.
- 
- 7**  **My Cycle**
- My Cycle** (on some models)  
To save a favorite cycle, set the desired settings for wash cycle, soil level, spin speed and wash temp settings and hold down the **My Cycle** button for 3 seconds. A beep will sound to indicate the cycle has been saved.
- To use your custom cycle, press the **My Cycle** button before washing a load.
- To change the saved cycle, set the desired settings and hold down the **My Cycle** button for 3 seconds.
- NOTE:** When using **My Cycle**, wash options cannot be modified after the cycle has been started.
- NOTE:** If you change wash options with **My Cycle** before starting the cycle, the **My Cycle** light will turn off and you will be returned to the base cycle.
- 
- 8**  **PreWash**
- PreWash** (on some models)  
Prewash is an extra wash before the main wash. Use it for heavily soiled clothes or for clothes with a care label that recommends prewashing before washing. Be sure to add liquid or powder high-efficiency detergent, or the proper wash additive to the prewash dispenser.
- The **PreWash** feature will fill the washer with cold water (adding the prewash detergent), tumble the clothes, drain and spin. Then the washer will run the selected wash cycle.
- NOTE:** In some special cycles, the prewash is selected automatically as the default. You can modify this selection at any time.
- PreWash** must be selected prior to pressing **Start**.

9



### Time Saver (on some models)

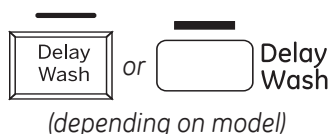
Use this option to reduce the overall wash cycle by at least 20% without sacrificing wash performance. This feature is available on all cycles except **Basket Clean**, **Sanitize**, **Rinse + Spin**, and **Quick Wash**.

This option will modify the wash cycle, slightly raising the wash temperature and using more water to deliver equal wash performance as the basic cycle. All other features, such as **Extra Rinse**, **Add Steam**, etc, can be used with **Time Saver** but may adjust the total wash time.

#### To use:

1. Turn power on and select a wash cycle which has **Time Saver** as an option.
2. Make any adjustments to **Soil**, **Temp** and **Spin** as desired.
3. Press the **Time Saver** button to reduce the overall wash time.
4. Press the **Start/Pause** button.

10



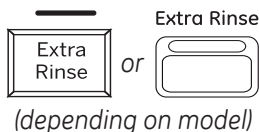
### Delay Wash

You can delay the start of a wash cycle for up to 24 hours. Press the **Delay Wash** button to choose the amount of time you want to delay the start of the wash cycle. Once the desired time is reached, press the **Start** button. The machine will count down and start automatically at the correct time.

**NOTE:** If you forget to fully close the door, a reminder signal will beep reminding you to do so.

**NOTE:** If you open the door when the delay is counting down, the machine will enter the pause state. You must close the door and press **Start** again in order to restart the countdown.

11



### Extra Rinse

This option allows for an extra rinse during a cycle to remove excess dirt and detergent from soiled loads.

On models with **Rinse & Spin** cycle, a drain and spin cycle can be achieved by pressing the **Extra Rinse** button until the light is no longer illuminated.

12



### Stain Removal Guide

(on some models)

The **Stain Removal Guide** is pre-programmed with the ideal wash and rinse settings to tackle five common stains. To use this feature, select the desired wash cycle and then press the **Stain Removal Guide** button until the stain you want to remove is highlighted. Next, press the **Start** button.

For some stains, a prewash will be selected automatically. If desired, add detergent or wash additive to the prewash dispenser. **Add Steam** cannot be selected along with this feature.

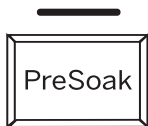
### Stain Wash

(on some models)

The **Stain Wash** modifier can be used with all cycles except **Rinse & Spin** and **Basket Clean** and is preprogrammed with the ideal wash and rinse settings to tackle common stains. To use this feature, select the desired wash cycle and then press the **Stain Wash** button.

Once selected, press the **Start** button to start the cycle. For some stains, a **PreSoak** will be selected automatically.

13

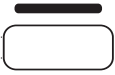


### PreSoak (on some models)

For soaking your garments prior to the wash cycle. This option begins with a brief tumble and then proceeds to soak the clothes with water and detergent for a specified period of time. Once complete, the cycle will begin automatically. **PreSoak** must be selected prior to pressing **Start**.

The **PreSoak** time will add an additional 30 minutes to the overall wash time. High-efficiency detergent from the main wash compartment in the dispenser is used for the **PreSoak** period and main wash cycle.

# Control settings.


**14**  **Ext Tumble**

**Extended Tumble** (on some models)

Freshly tumbles your garments periodically for up to 8 hours after the wash cycle is complete to lessen the setting of wrinkles and creases when you are not able to move clothing to the dryer right away.

At the end of the cycle, the display will scroll "END" and after ten minutes the **Extended Tumble** will begin. It can be stopped at any time by pressing the **Power** button.



**Note:** The **Extended Tumble** option cannot be added to the **My Cycle** feature.

**15**  **Volume**

**Volume**

This button has two functions:



- To change the loudness of the end of cycle signal, press the button as many times as needed to reach the desired volume. There are four sound levels including OFF.
- To turn the button sounds ON/OFF, press and hold the button for 3 seconds.

**16**  **Signal** 

**Cycle Signal**

Use the **Signal** pad to change the volume of the end of cycle signal.

Press the pad until you reach the desired volume.

**17**  or  **Lock Controls or Lock** (depending on model)

Lock Controls Hold 3 Sec or Hold 3 Seconds To Lock/Unlock Controls

You can lock the controls to prevent any selections from being made. Or you can lock or unlock the controls after you have started a cycle.

Children cannot accidentally start the washer by touching buttons with this option selected.



To lock the washer, press and hold the **Lock Controls** or **Lock** button for 3 seconds.

To unlock the washer controls, press and hold the **Lock Controls** or **Lock** button for 3 seconds.

A sound is made to indicate the lock/unlock status.

The indicator light above the button will illuminate when the controls are locked.

**NOTE:** The **Power** button can still be used when the machine is locked.

**18**  or  **Start / Pause** or **Start**

Add a Garment or Pause / Add a Garment


**Start/Pause-Add A Garment**

Press to start a wash cycle. If the washer is running, pressing it once will pause the washer and unlock the door. It will take a few seconds for the door to unlock after pressing **Pause**. Press again to restart the wash cycle.

**NOTE:** If the washer is paused and the cycle is not restarted within 15 minutes, the current wash cycle will be cancelled.

**NOTE:** In some cycles the washer will drain first, then unlock the door when it is paused.

**NOTE:** The washer performs automatic system checks after pressing the **Start** button. Water will flow in 45 seconds or less. You may hear the door lock and unlock before water flows; this is normal.

**19**  **Display**

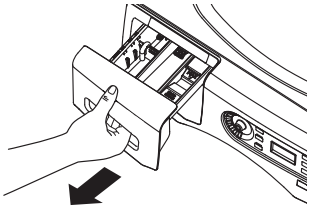
Displays the approximate time remaining until the end of the cycle.

**NOTE:** The cycle time is affected by the water pressure in your home and the balance of the load in the washer. You may see the time remaining on the display increase to accommodate a slower spin speed to handle unbalanced loads.

On some models, cycle status is also displayed and certain features such as **Delay Wash** or **Steam** are shown indicating they have been selected.

(appearance will vary and not all features on all models)



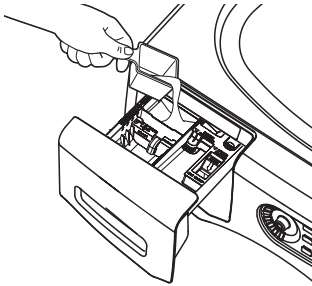


## The Dispenser Drawer

Slowly open the dispenser drawer by pulling it out until it stops.

After adding laundry products, slowly close the dispenser drawer. Closing the drawer too quickly could result in early dispensing of the bleach, fabric softener or detergent.

You may see water in the dispenser drawer at the end of the cycle. This is a result of the flushing/siphoning action and is part of the normal operation of the washer.



## The Prewash Compartment (on some models)

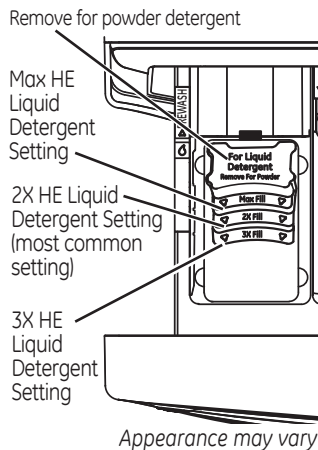
- Only use the Prewash Compartment if you are selecting the **Prewash** cycle for heavily soiled clothes. Add measured detergent or prewash additive to the back left prewash compartment of the dispenser drawer.
- Detergent or prewash additive is flushed from the dispenser in the prewash cycle (if selected).

**NOTE:** Liquid detergent will drain into the washer drum as it is added.

- Detergent usage may need to be adjusted for water temperature, water hardness, size and soil level of the load. Avoid using too much detergent in your washer as it can lead to over sudsing and detergent residue being left on the clothes.

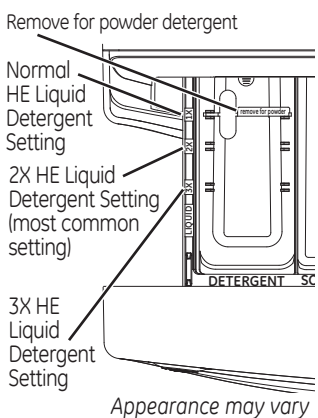
## The Detergent Compartment

- **High-efficiency detergent is required for this washer. Use the detergent manufacturer's recommended amount.**
- Add measured detergent to the front left detergent compartment of the dispenser drawer.
- Detergent is flushed from the dispenser at the beginning of the wash cycle. Either powdered or liquid detergent can be used.
- Detergent usage may need to be adjusted for water temperature, water hardness, size and soil level of the load. Avoid using too much detergent in your washer as it can lead to oversudsing and detergent residue being left on the clothes.
- Using more detergent than the recommended quantity can cause residue buildup on your washer.



## On models with a removable detergent cup

- **Powder Detergent** – Remove the liquid detergent cup and place it in a safe location outside of the washer. Follow the detergent manufacturer's instructions when measuring the amount of powder to use.
- **Liquid Detergent** – Locate the concentration of your detergent on the bottle. Do not fill above the Max Fill line in the detergent cup for your detergent concentration type.



## On models with a selection insert

The detergent selection insert must be placed in the detergent compartment in a specific position according to what type of detergent you are using.

- **Powder Detergent** – Remove the detergent selection insert and place it in a safe location outside of the washer.
- **Liquid Detergent** – You will need to adjust the insert according to the type of Liquid Detergent you are using. The Icons on the side of the detergent compartment must line up on the center when the insert is in position.

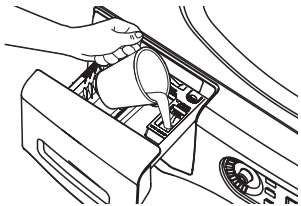
**NOTE:** Not all models have the 2x and 3x detergent settings. Some have only regular HE detergent settings. You must reduce the amount of detergent for 2x or 3x detergent per bottle instructions.

Move the insert by pulling it up and replace it by sliding it down between either the rear or front detergent compartment molded rails, as desired, for liquid detergent. Remove for powder detergent.

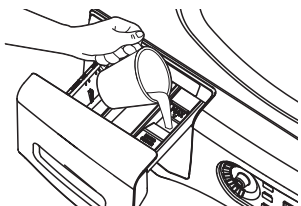
Liquid detergent may seep under the insert prior to the start of the cycle. This is normal and will not affect the wash performance.

## About the washer features.

On some models:



On some models:



### The Liquid Bleach Compartment

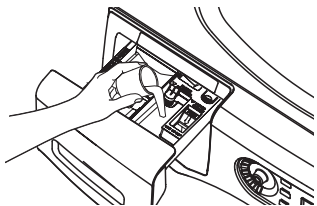
**IMPORTANT:** The bleach compartment position varies by model. Be sure to identify the correct compartment for bleach before using.

If desired, measure out the recommended amount of liquid bleach, not to exceed 1/3 cup (80 ml), and pour into the right compartment labeled "LIQUID BLEACH".

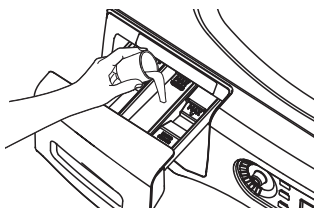
Do not exceed the maximum fill line. Overfilling can cause early dispensing of the bleach which could result in damaged clothes.

**NOTE:** Do not use powdered bleach in the dispenser.

On some models:



On some models:



### The Fabric Softener Compartment

**IMPORTANT:** The fabric softener compartment position varies by model. Be sure to identify the correct compartment for fabric softener before using.

If desired, pour the recommended amount of liquid fabric softener into the compartment labeled "FABRIC SOFTENER."

Use only liquid fabric softener in the dispenser.

Dilute with water to the maximum fill line.

Do not exceed the maximum fill line. Overfilling can cause early dispensing of the fabric softener which could stain clothes.

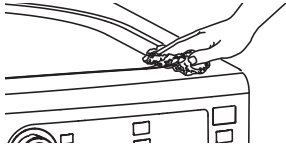
**NOTE:** Do not pour fabric softener directly on the wash load.

## Loading the Washer.

The wash drum may be fully loaded with loosely added items. **Do not wash garments containing flammable materials (waxes, cleaning fluids, etc.).**

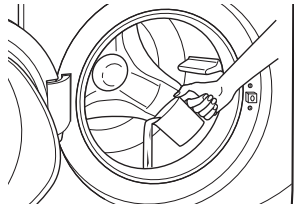
### Loading Examples

WORKWEAR	LINENS	MIXED LOAD	DELICATES*	SPEED WASH (2-4 GARMENTS)
4 Jeans 5 Work Wear Shirts 5 Work Wear Pants	2 Bath Sheets 10 Bath Towels/12 Washcloths 7 Hand Towels/2 Terrycloth Bath Mats <b>OR</b> 2 Flat Queen-Sized Sheets 2 Fitted Queen-Sized Sheets 4 Pillowcases	4 Pillowcases 2 Hand Towels 2 Flat Sheets/2 Fitted Sheets 2 Bath Towels/4 Washcloths <b>OR</b> 6 Shirts (Men's or Women's) 4 Pair Pants (Khakis or Twills) 5 T-shirts 7 Pairs of Boxers 4 Pairs of Shorts <b>OR</b> 6 T-shirts 4 Pairs of Sweatpants 4 Sweatshirts 2 Hoodies 7 Pairs of Socks	7 Bras 7 panties 3 Slips 2 Camisoles 4 Nightgowns  *Using a nylon mesh bag for small items is recommended.	2 Casual Wear Work Shirts 1 Pair Casual Wear Work Pants <b>OR</b> 3 Soccer Uniforms



## Exterior

Immediately wipe off any spills. Wipe with damp cloth. Do not hit surface with sharp objects.



## Interior

To clean the interior of the washer, select the **Basket Clean** feature on the control panel. This **Basket Clean** cycle should be performed, at a minimum, once per month. This cycle will use more water, in addition to bleach, to control the rate at which soils and detergents may accumulate in your washer.

**NOTE:** Read the instructions below completely before starting the **Basket Clean** cycle.

1. Remove any garments or objects from the washer and ensure the washer basket is empty.
2. Open the washer door and pour one cup or 250 ml of liquid bleach or other washing machine cleaner into the basket.
3. Close the door and select the **Basket Clean** cycle. Push the **Start** pad.
4. When the **Basket Clean** cycle is working, the display will show the estimated cycle time remaining. The cycle will complete in about 90 minutes. Do not interrupt the cycle.
5. After the cycle is complete, leave the door open slightly for better ventilation.

If for any reason the cycle needs to be interrupted, the door will not open immediately. Forcing open the door at this stage may cause water to flood. The door will open after the water is drained to a level where it would not flood the floor.

**Basket Clean** may be interrupted by pressing the **Start** pad in between cycles. A power outage in the house might also interrupt the cycle. When the power supply is back, the **Basket Clean** cycle resumes where it had stopped. When interrupted, be sure to run a complete **Basket Clean** cycle before using the washer. If the **Power** pad is pressed during **BasketClean**, the cycle will be lost.

### IMPORTANT:

- Run **Basket Clean** with 1 Cup (250 ml) of bleach once a month.
- After the completion of a **Basket Clean** cycle, the interior of your washer may have a bleach smell.
- It is recommended to run a light color load after the **Basket Clean** cycle.



## Cleaning the Pump Filter

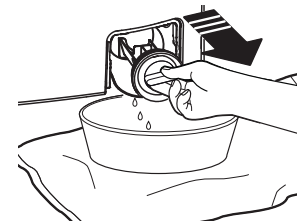
Due to the nature of the front-load washer, it is sometimes possible for small articles to pass to the pump. The washer has a filter to capture lost items so they are not dumped to the drain. To retrieve lost items, clean out the pump filter.

1. Using a small flathead screwdriver or coin, open the access door.
2. Place a shallow pan or dish under the pump access door and towels on the floor in front of the washer to protect the floor. It is normal to catch about a quart of water when the filter is removed.

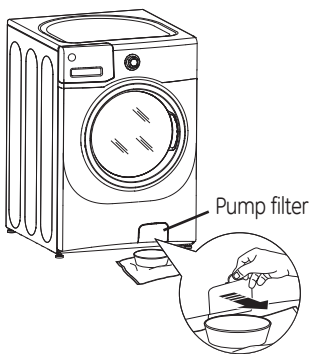
**NOTE:** If there is water in the basket when the pump filter is cleaned, it will drain out and a larger pan or dish may be necessary.

3. Pull down the pour spout.

4. Turn the pump filter counterclockwise and remove the filter slowly, controlling the flow of the draining water.



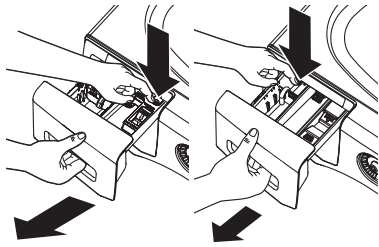
5. Clean the debris from the filter.
6. Replace the filter and turn clockwise. Tighten securely.
7. Flip up the pour spout.
8. Close the access door by hooking the bottom tabs first, then rotating the access door shut.



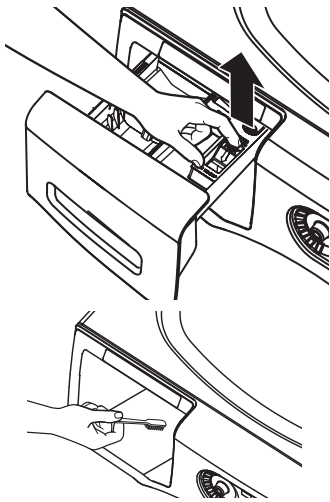
## Care and Cleaning.

---

Tab on back right or left depending on model



Lock tab is visible only after drawer has been pulled open



### Dispenser Drawer Area

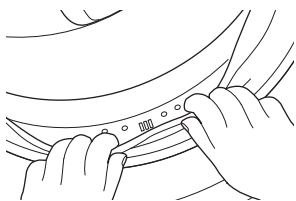
Detergent and fabric softener may build up in the dispenser drawer. Residue should be removed once or twice a month.

- Remove the drawer by first pulling it out until it stops. Then reach back into the left or right rear corner (depending on model) of the drawer cavity and press down firmly on the lock tab, pulling out the drawer.
- Remove the inserts from the bleach and fabric softener compartments and the detergent insert. Rinse the inserts and the drawer with very warm water to remove traces of accumulated laundry products.
- To clean the drawer opening, use a small brush to clean the recess. Remove all residue from the upper and lower parts of the recess.
- Return inserts to the proper compartments. Replace the dispenser drawer.
- To reduce buildup in the Dispenser Drawer area:

Use only HE  
High-Efficiency  
detergent.



### Door Gasket



Open the washer door. Using both hands, press down the door gasket. Remove any foreign objects if found trapped inside the gasket. Make sure there is nothing blocking the holes behind the gasket.

While holding down the door gasket, inspect the interior gasket by pulling it down with your fingers. Remove any foreign objects if found trapped inside this gasket. Make sure there is nothing blocking the holes behind the gasket.

When you are finished cleaning the door gasket, remove your hands and the gasket will return to the operating position.

Video



Scan this code  
to watch a video  
on this topic.

### Long Vacations

Be sure the water supply is shut off at the faucets. Drain all water from the hoses if the weather will be below freezing.

### Moving and Storage

Ask the service technician to remove water from drain pump and hoses. Do not store the washer where it will be exposed to the weather. When moving the washer, the tub should be kept stationary by reinstalling the shipping bolts removed during installation. See Installation Instructions in this book. If these parts are not available, they can be ordered by visiting our Website at [GEAppliances.com](http://GEAppliances.com) or by calling 800.GE.CARES. In Canada, call 800.561.3344.

# Installation Instructions

# Washer

If you have any questions, call 800.GE.CARES (800.432.2737)  
or visit our Website at: [GEAppliances.com](http://GEAppliances.com)  
In Canada, call 1.800.561.3344 or visit [www.GEAppliances.ca](http://www.GEAppliances.ca)

**!** This is the safety alert symbol. This symbol alerts you to potential hazards that can kill you or hurt you and others. All safety messages will follow the safety alert symbol and the word "DANGER", "WARNING", or "CAUTION". These words are defined as:

- !** **DANGER** Indicates a hazardous situation which, if not avoided, **will** result in death or serious injury.
- !** **WARNING** Indicates a hazardous situation which, if not avoided, **could** result in death or serious injury.
- !** **CAUTION** Indicates a hazardous situation which, if not avoided, **could** result in minor or moderate injury.

## BEFORE YOU BEGIN

Read these instructions completely and carefully.

- **IMPORTANT** – Save these instructions for local inspector's use.
- **IMPORTANT** – Observe all governing codes and ordinances.
- **Note to Installer** – Be sure to leave these instructions with the Consumer.
- **Note to Consumer** – Keep these instructions for future reference.
- **Skill level** – Installation of this appliance requires basic mechanical and electrical skills.
- **Completion time** – 1-3 hours
- Proper installation is the responsibility of the installer.
- Product failure due to improper installation is not covered under the Warranty.

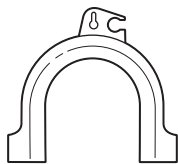
## PARTS SUPPLIED



Cable Tie



Inlet Hose Screen Washers (2)



Hose Guide

## TOOLS REQUIRED

- Adjustable wrench or 1/2" socket with ratchet
- Adjustable wrench or 9/16" open-end wrench
- Channel-lock adjustable pliers
- Carpenter's level

## PARTS REQUIRED (Obtain locally)

- Water Hoses (2)



## STACK BRACKET KIT

A stack bracket kit is available at additional cost. It can be ordered in the United States by visiting our Web site at [GEAppliances.com](http://GEAppliances.com) or calling 800.GE.CARES. In Canada, call 800.661.1616 or visit your local GE Appliances dealer. Order kit # WE25X10018 or GEFLSTACK.

## OPTIONAL PEDESTAL ACCESSORY

A pedestal is available at additional cost. It can be ordered in the United States by visiting our Web site at [GEAppliances.com](http://GEAppliances.com) or calling 800.GE.CARES. In Canada, visit your local GE Appliances dealer. This product should be used with the pedestal # SBSC137HXX, SBSD137HXX and SBSD227FXX. Follow the pedestal Installation Instructions.

# Installation Instructions

## LOCATION OF YOUR WASHER

### Do Not Install the Washer:

1. In an area exposed to dripping water or outside weather conditions. The ambient temperature should never be below 60°F (15.6°C) for proper washer operation.
2. In an area where it will come in contact with curtains or drapes.
3. On carpet. The floor **MUST** be a hard level surface with a maximum slope of 1/2" per foot (1.27 cm per 30 cm). To make sure the washer does not vibrate or move, you may have to reinforce the floor.

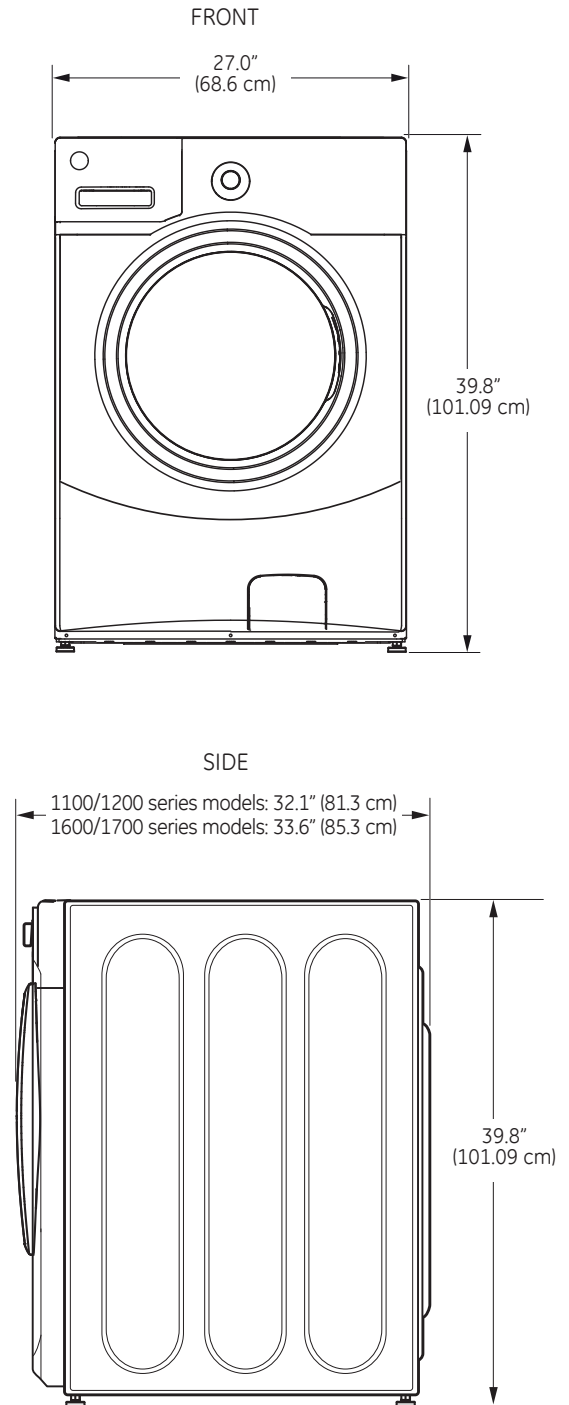
**NOTE:** If the floor is in poor condition, use 3/4" impregnated plywood sheet solidly attached to the existing floor covering.

### IMPORTANT:

### Minimum Installation Clearances

- When installed in alcove: Sides, Rear, Top = 0" (0 cm)
- When installed in closet: Sides, Rear, Top = 0" (0 cm), Front = 1" (2.54 cm)
- Closet door ventilation openings required: 2 louvers each 60 square in. (387 cm), located 3" (7.6 cm) from top and bottom of door

## ROUGH-IN DIMENSIONS



NOTE: With pedestal, 52.6"  
Stacked, 84"

# Installation Instructions

## UNPACKING THE WASHER

**⚠ WARNING:** Recycle or destroy the carton and plastic bags after the washer is unpacked. Make materials inaccessible to children. Children might use them for play. Cartons covered with rugs, bedspreads or plastic sheets can become airtight chambers causing suffocation.

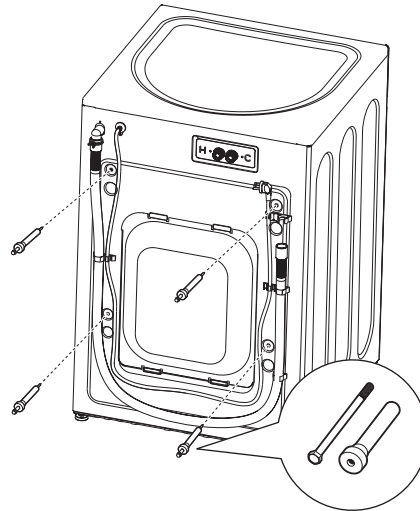
1. Cut and remove the top and bottom packaging straps.
2. While it is in the carton, carefully lay the washer on its side. **DO NOT** lay the washer on its front or back.
3. Turn down the bottom flaps—remove all base packaging, including the cardboard, styrofoam base and styrofoam tub support (inserted in center of base).

**NOTE:** If you are installing a pedestal, proceed to the installation instructions that come with the pedestal.

4. Carefully return the washer to an upright position and remove the carton.
5. Carefully move the washer to within 4 feet (122 cm) of the final location.



6. Remove the following from the back side of the washer:
  - 4 bolts
  - 4 plastic spacers (including rubber grommets)
  - 4 power cord retainers



**NOTE:** Failure to remove the shipping braces can cause the washer to become severely unbalanced.

**Save all bolts for future use.**

**NOTE:** If you must transport the washer at a later date, you must reinstall the shipping support hardware to prevent shipping damage. Keep the hardware in the plastic bag provided.

**In case you misplace your shipping bolts, replacements are available at additional cost. They can be ordered in the United States by visiting our website at [GEAppliances.com](http://GEAppliances.com) or calling 800.GE.CARES. In Canada, call 800.661.1616. Order kit #WH49X10039.**

# Installation Instructions

## ELECTRICAL REQUIREMENTS

### **⚠ WARNING** - Electrical Shock Hazard

Plug into a grounded 3 prong outlet.

**DO NOT** remove ground prong.

**DO NOT** use an adapter.

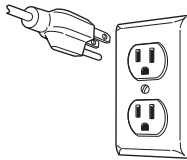
**DO NOT** use an extension cord.

Failure to follow these instructions can result in death or electrical shock.

**CIRCUIT** – Individual, properly polarized and grounded 15 or 20 amp circuit breaker or time-delay fuse.

**POWER SUPPLY** – 2 wire plus ground, 120 Volt, single phase, 60 Hz, alternating current.

**Outlet Receptacle** – Properly grounded 3-prong receptacle to be located so the power cord is accessible when the washer is in an installed position. If a 2-prong receptacle is present, it is the owner's responsibility to have a licensed electrician replace it with a properly grounded 3-prong grounding type receptacle.



Washer must be electrically grounded in accordance with local codes and ordinances, or in the absence of local codes, in accordance with the NATIONAL ELECTRICAL CODE, ANSI/NFPA NO. 70 latest edition. Check with a licensed electrician if you are not sure that the washer is properly grounded.

## WATER SUPPLY REQUIREMENTS

Hot and cold water faucets **MUST** be installed within 42 inches (107 cm) of your washer's water inlet. The faucets **MUST** be 3/4" (1.9 cm) garden hose-type so inlet hoses can be connected. Water pressure **MUST** be between 10 and 120 pounds per square inch. Your water department can advise you of your water pressure. The hot water temperature should be set to deliver water at 120° to 140°F (48°–60°C).

## GROUNDING INSTRUCTIONS

This appliance must be grounded. In the event of malfunction or breakdown, grounding will reduce the risk of electric shock by providing a path of least resistance for electric current. This appliance is equipped with a cord having an equipment-grounding conductor and a grounding plug. The plug must be plugged into an appropriate outlet that is properly installed and grounded in accordance with all local codes and ordinances.

**⚠ WARNING** Improper connection of the equipment-grounding conductor can result in a risk of electrical shock. Check with a qualified electrician, or service representative or personnel, if you are in doubt as to whether the appliance is properly grounded. **DO NOT** modify the plug on the power supply cord. If it will not fit the outlet, have a proper outlet installed by a qualified electrician.

If required by local codes, an external 18 gauge or larger copper ground wire (not provided) may be added. Attach to washer cabinet with a #8-18 x 1/2" sheet metal screw (available at any hardware store) to rear of washer.

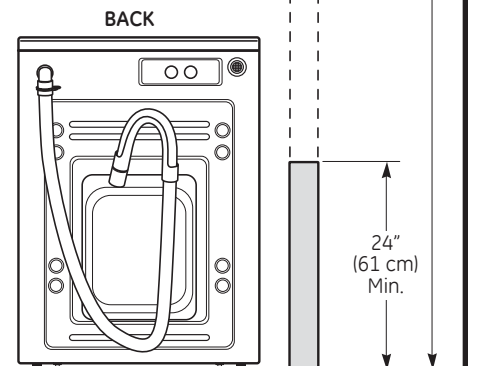
### **Mobile Home Installation:**

Installation must conform to Standard for Mobile Homes, ANSI A119.1 and National Mobile Home Construction and Safety Standards Act of 1974 (PL93-383).

## DRAIN REQUIREMENTS

1. Drain capable of eliminating 17 gals (64.3 L) per minute.
2. A standpipe diameter of 1-1/4" (3.18 cm) minimum.
3. The standpipe height above the floor should be:  
Mini height: 24" (61 cm)  
Max height: 96" (244 cm)

**NOTE:** The drain hose attached to the washer can reach a 58" (147 cm) high standpipe. For a higher standpipe, contact an authorized parts distributor.

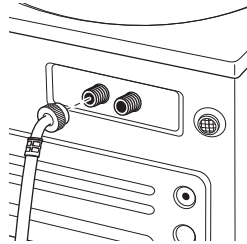




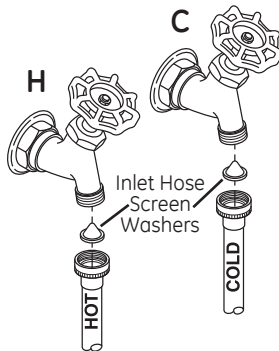
# Installation Instructions

## INSTALLING THE WASHER

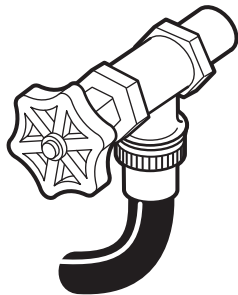
1. Run some water from the hot and cold faucets to flush the water lines and remove particles that might clog up the inlet hoses and water valve screens.
2. Obtain inlet hoses locally.
3. Ensure there is a rubber washer in the hoses. Reinstall the rubber washer into the hose fitting if it has fallen out during shipment. Carefully connect an inlet hose to the outside "H" outlet of the water valve. Tighten by hand, then tighten another 2/3 turn with pliers. Carefully connect the other inlet hose to the inside "C" outlet of the water valve. Tighten by hand; then tighten another 2/3 turn with pliers. **Do not crossthread or over-tighten these connections.**



4. Install the screen washers by inserting them into the free ends of the inlet hoses with protruded side facing the faucet.



5. Connect the inlet hose ends to the HOT and COLD water faucets tightly by hand, then tighten another 2/3 turn with pliers. Turn the water on and check for leaks.

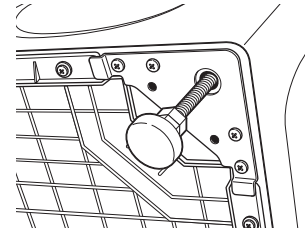


6. Carefully move the washer to its final location. Gently rock the washer into position ensuring inlet hoses do not become kinked. It is important not to damage the rubber leveling legs when moving your washer to its final location. Damaged legs can increase washer vibration. It may be helpful to spray window cleaner on the floor to help move your washer into its final position. **NOTE:** To reduce vibration, ensure that all four rubber leveling legs are firmly touching the floor. Push and pull on the back right and then back left of your washer.

**NOTE:** Do not use the dispenser drawer or door to lift the washer.

**NOTE:** If you are installing into a drain pan, you can use a 24-inch long 2x4 to lever the washer into place.

7. With the washer in its final position, place a level on top of the washer (if the washer is installed under a counter, the washer should not be able to rock). Adjust the front leveling legs up or down



to ensure the washer is resting solid. Turn the lock nuts on each leg up towards the base of the washer and snug with a wrench.

**NOTE:** Keep the leg extension at a minimum to prevent excessive vibration. The farther out the legs are extended, the more the washer will vibrate.



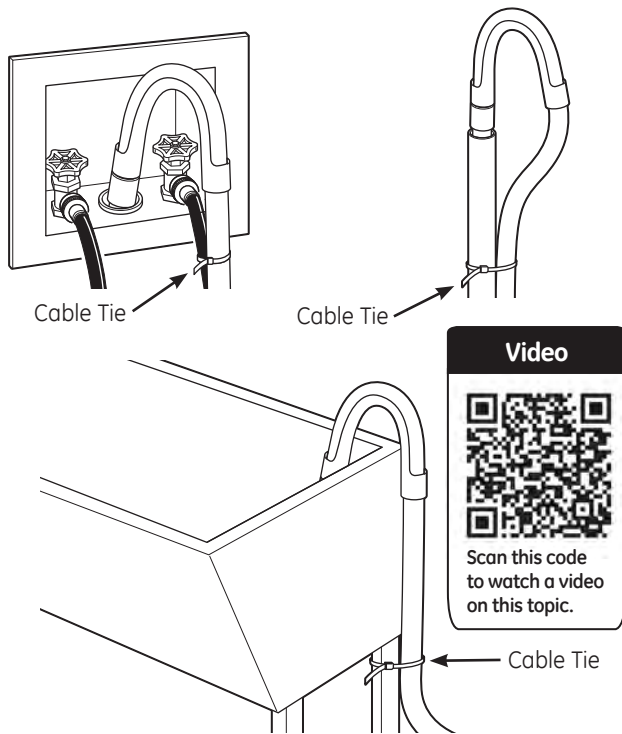
If the floor is not level or is damaged, you may have to extend the rear leveling legs.

# Installation Instructions

## INSTALLING THE WASHER (cont.)

8. Attach the U-shaped hose guide to the end of the drain hose. Place the hose in a laundry tub or standpipe and secure it with the cable tie provided in the enclosure package.

**NOTE:** Placing the drain hose too far down the drain pipe can cause a siphoning action. No more than 7 inches of hose should be in the drain pipe. There must be an air gap around the drain hose. A snug fit can also cause a siphoning action.



9. Plug the power cord into a grounded outlet.

**NOTE:** Check to be sure the power is off at the circuit breaker/fuse box before plugging the power cord into an outlet.

10. Turn on the power at the circuit breaker/fuse box.

11. Read the rest of this Owner's Manual. It contains valuable and helpful information that will save you time and money.

**12. Before starting the washer, check to make sure:**

- Main power is turned on.
- The washer is plugged in.
- The water faucets are turned on.
- The unit is level and all four leveling legs are firmly on the floor.
- The shipping support hardware is removed and saved.
- The drain hose is properly tied up.
- There are no leaks at the faucet, drain line or washer.

13. Run the washer through a complete cycle. Check for water leaks and proper operation.


14. If your washer does not operate, please review the *Before You Call For Service* section before calling for service.

15. Place these instructions in a location near the washer for future reference.

## REPLACEMENT PARTS

If replacement parts are needed for your washer, they can be ordered in the United States by visiting our Web site at [GEAppliances.com](http://GEAppliances.com) or by calling 800.GE.CARES. In Canada, call 800.661.1616.

## Truth or myth?

Below is a list of truths and myths to help you better understand your frontload washer		
Truth or Myth?	Answer	Explanation
There is not enough water to properly wash my clothes	MYTH	Since frontload washers do not require the tub to fill with water, significantly less water is required to thoroughly wash and rinse each load. Except for certain cycles like <b>Delicates/Handwash</b> and <b>Basket Clean</b> that use more water, you will not see a visible water line on the door glass.
My frontload washer may add time or run longer than the original displayed time.	TRUE	Occasionally, the washer may need to add more time to the cycle. This is mainly due to automatic load redistributions to better balance the load and reduce vibration. It is normal operation for the washer to add time to the cycle to rebalance the load. Common causes of out-of-balance loads or longer cycle times are a clogged pump filter (see the <b>Care and Cleaning</b> section), un-level washer, or exceeding the recommended maximum load sizes.
I should see suds/foam during a wash cycle in the frontload washer.	MYTH	HE detergents, which should be the only detergents used in your GE frontload washer, have been formulated to clean effectively without causing a build-up of suds. If you add detergent until a visible suds/foam level is reached, you may be using too much detergent and negatively impacting washer performance. Remember, more suds/foam does not equal more cleaning power. Follow the manufacturer's directions for HE detergent. 
It is best to wash full loads and like fabrics together.	TRUE	Wash multiple similar garments at one time for best results. Washing single items can cause an out-of-balance condition.
I need to keep the washer level for proper operation and to reduce vibration.	TRUE	If the washer is uneven, adjust the leveling legs so that they are firmly touching the floor and the lock nuts are securely tightened. This is especially important if the washer is installed on a pedestal. Leveling the legs on the washer or the pedestal require the same steps.
It is impossible to overload a frontload washer.	MYTH	Although the capacity of the frontload washer allows for larger loads than a traditional topload washer, care must be taken to not overload the wash basket. See the <b>Loading and Using the Washer</b> section for recommended maximum load sizes. Overloading the washer can lead to reduced wash performance and clothes becoming trapped between the door glass and the gasket, possibly causing damage to your gasket or your clothes.
If not periodically cleaned, my wash basket and gasket may not maintain a fresh smell.	TRUE	This is true for all washers, not just frontload. Regularly run a <b>Basket Clean</b> cycle and clean around the rubber door gasket. When not in use, you may leave the door slightly open for the inside of the washer to air dry. Close supervision is necessary if this appliance is used by or near children.
Frontload washers have a "pump filter" that needs to be cleaned periodically.	TRUE	Due to the nature of the frontload washer, it is sometimes possible for small articles to pass to the drain pump. The washer has a filter to capture lost items so they do not damage the drain pump. To retrieve lost items, clean out the pump filter (see the <b>Care and Cleaning</b> section). Indicators of a clogged pump are long drain and cycle times, wet clothes at the end of a cycle, incomplete cycles or washer pausing in the middle of a cycle.
I cannot add items to a wash cycle once it has started.	MYTH	To add items after the washer has started, press <b>Start/Pause - Add a Garment</b> button and wait until the door is unlocked. The drain pump may run briefly before door is unlocked. Do not try to force open the door when it is locked. After the door unlocks, open gently. Add items, close the door and press <b>Start/Pause</b> to restart.
Items left in pockets can cause damage to the rubber door gasket	TRUE	This is true for all frontload washers. Remove all loose items from your clothes.

## Before you call for service...



*Troubleshooting Tips*  
Save time and money! Review the charts on the following pages first and you may not need to call for service.

Problem	Possible Cause	What To Do
<b>Not draining</b> <b>Not spinning</b> <b>Not tumbling</b>	<b>Load is out of balance</b>	Redistribute clothes and run drain & spin or rinse & spin. Increase load size if washing small load containing heavy and light items.
	<b>Pump clogged</b>	See page 11 on how to clean the Pump Filter.
	<b>Drain hose is kinked or improperly connected</b>	Straighten drain hose and make sure washer is not sitting on it.
	<b>Household drain may be clogged</b>	Check household plumbing. You may need to call a plumber.
	<b>Drain hose siphoning; drain hose pushed too far down the drain</b>	Ensure there is an air gap between hose and drain.
<b>Leaking water</b>	<b>Door gasket is damaged</b>	Check to see if gasket is seated and not torn. Objects left in pockets may cause damage to the washer (nails, screws, pens, pencils) Water may drip from the door when the door is opened. This is a normal operation. Carefully wipe off rubber door seal. Sometimes dirt or clothing is left in this seal and can cause a small leak
	<b>Check back left of washer for water</b>	If this area is wet, you have oversudsing condition. Use less detergent.
	<b>Fill hoses or drain hose is improperly connected</b>	Make sure hose connections are tight at washer and faucets and make sure end of drain hose is correctly inserted in and secured to drain facility.
	<b>Household drain may be clogged</b>	Check household plumbing. You may need to call a plumber.
	<b>Dispenser clogged</b>	Powder soap may cause clogs inside the dispenser and cause water to leak out the front of the dispenser. Remove drawer and clean both drawer and inside of dispenser box. Please refer to <i>Cleaning the Washer</i> section.
	<b>Incorrect use of detergent</b>	Use only HE and correct amount of detergent.
	<b>Dispenser box cracked</b>	If new installation, check for crack on inside of dispenser box.
<b>Clothes too wet</b>	<b>Load is out of balance</b>	Redistribute clothes and run drain & spin or rinse & spin. Increase load size if washing small load containing heavy and light items. The machine will slow the spin speed down to 410 rpm if it has a hard time balancing the load. This speed is normal.
	<b>Pump clogged</b>	See page 11 on how to clean the Pump Filter.
	<b>Overloading</b>	The dry weight of the load should be less than 16 lbs.
	<b>Drain hose is kinked or improperly connected</b>	Straighten drain hose and make sure washer is not sitting on it.
	<b>Household drain may be clogged</b>	Check household plumbing. You may need to call a plumber.
	<b>Drain hose siphoning; drain hose pushed too far down the drain</b>	Ensure there is an air gap between hose and drain.
<b>Incomplete cycle or timer not advancing</b>	<b>Automatic load redistribution</b>	Timer adds 3 minutes to cycle for each rebalance. 11 or 15 rebalances may be done. This is normal operation. Do nothing; the machine will finish the wash cycle.
	<b>Pump clogged</b>	See page 11 on how to clean the Pump Filter.
	<b>Drain hose is kinked or improperly connected</b>	Straighten drain hose and make sure washer is not sitting on it.
	<b>Household drain may be clogged</b>	Check household plumbing. You may need to call a plumber.
	<b>Drain hose siphoning; drain hose pushed too far down the drain</b>	Ensure there is an air gap between hose and drain.

Problem	Possible Cause	What To Do
<i>Loud or unusual noise; vibration or shaking</i>	Cabinet moving	Washer is designed to move 1/4" to reduce forces transmitted to the floor. This movement is normal.
	All rubber leveling legs are not firmly touching the floor	Push and pull on the back right and then back left of your washer to check if it is level. If the washer is uneven, adjust the rubber leveling legs so they are all firmly touching the floor and locked in place. Your installer should correct this problem.
	Unbalanced load	Pause unit, open door and manually redistribute load. To check machine, run rinse and spin with no load. If normal, unbalance was caused by load.
	Pump clogged	See page 11 on how to clean the Pump Filter.
<i>No power/washer not working or dead</i>	Washer is unplugged	Make sure cord is plugged securely into a working outlet.
	Water supply is turned off	Turn both hot and cold faucets fully on.
	Circuit breaker/fuse is tripped/blown	Check house circuit breakers/fuses. Replace fuses or reset breaker. Washer should have separate outlet.
	Automatic self system checks	First time the washer is plugged in, automatic checks occur. It may take up to 20 seconds before you can use your washer. This is normal operation.
<i>Snags, holes, tears, rips or excessive wear</i>	Overloaded	Do not exceed maximum recommended load sizes. See recommended maximum load sizes on page 10.
	Pens, pencils, nails, screws or other objects left in pockets	Remove loose items from pockets.
	Pins, snaps, hooks, sharp buttons, belt buckles, zippers and sharp objects left in pockets	Fasten snaps, hooks, buttons and zippers.
<i>Control time wrong or changes</i>	This is normal	During spin the washer may need to rebalance the load sometimes to reduce vibrations. When this happens, the estimated time is increased causing time left to increase or jump.
<i>Not enough water</i>	This is normal	Horizontal washers do not require the tub to fill with water like top-load washers.
<i>Washer pauses or has to be restarted, or washer door is locked and will not open</i>	Pump clogged	See page 11 on how to clean the Pump Filter.
<i>Door unlocks or press Start and machine doesn't operate</i>	This is normal	Front-load washers start up differently than top-load washers, and it takes 30 seconds to check the system. The door will lock and unlock.
	Incorrect operation	Simply open and close the door firmly; then press <b>Start</b> .
<i>Water does not enter washer or enters slowly</i>	Automatic self system checks	After <b>Start</b> is pressed, the washer does several system checks. Water will flow 60 seconds after <b>Start</b> is pressed.
	Water supply is turned off	Turn on both hot and cold faucets fully.
	Water valve screens are stopped up	Turn off the water source and remove the water connection hoses from the upper back of the washer. Use a brush or toothpick to clean the screens in the machine. Reconnect the hoses and turn the water back on.
	Inlet hose screen washers are stopped up	Turn off the water source and remove the inlet hoses from the wall faucets. Use a brush or toothpick to clean the screen washers in the end of the hoses. Reconnect the hoses and turn the water back on.
<i>Wrinkling</i>	Improper sorting	Avoid mixing heavy items (like work clothes) with light items (like blouses).
	Overloading	Load your washer so clothes have enough room to move freely.
	Incorrect wash cycle	Match cycle selection to the type of fabric you are washing (especially for easy care loads).
	Repeated washing in water that is too hot	Wash in warm or cold water.

## Before you call for service...

Problem	Possible Cause	What To Do
Grayed or yellowed clothes	Not enough detergent	Use correct amount of detergent.
	Not using HE (high efficiency) detergent	Use only HE detergent.
	Hard water	Use hottest water safe for fabric.
		Use a water conditioner like Calgon brand or install a water softener.
	Water is not hot enough	Make sure water heater is delivering water at 120°–140°F (48°–60°C).
	Detergent is not dissolving	Try a liquid HE detergent.
Dye transfer	Sort clothes by color. If fabric label states wash separately, unstable dyes may be indicated.	
Colored spots	Incorrect use of fabric softener	Check fabric softener package for instructions and follow directions for using dispenser.
	Dye transfer	Sort whites or lightly colored items from dark colors.
Promptly remove wash load from washer.		
Water temperature is incorrect	Water supply is improperly connected	Make sure hoses are connected to correct faucets.
	House water heater is not set properly	Make sure house water heater is delivering water at 120°–140°F (48°–60°C).
Slight variation in metallic color	This is normal	Due to the metallic properties of paint used for this unique product, slight variations of color may occur due to viewing angles and lighting conditions.
Bad odor inside your Washer	Washer unused for a long time, not using recommended quality of HE detergent or used too much detergent	Run a <b>Basket Clean</b> cycle.
		In case of strong odor, you may need to run the <b>Basket Clean</b> cycle more than once.
		Use only the amount of detergent recommended on the detergent container.
		Use only HE (high efficiency) detergent.
		Always remove wet items from the washer promptly after machine stops running.
		Leave the door slightly open for the water to air dry. Close supervision is necessary if this appliance is used by or near children. Do not allow children to play on or in this or any other appliance.
Detergent leak	Incorrect placement of detergent insert	Make sure detergent insert is properly located and fully seated. Never put detergent above max line.
	This is normal	It is normal operation to see detergent leak on door gasket about 20 seconds after filling the dispenser.
Improper dispensing of softener or bleach	Dispenser clogged	Monthly clean the dispenser drawer to remove buildup of chemicals.
	Softener or bleach is filled above the max line	Make sure to have the correct amount of softener or bleach.
	Softener or bleach cap issue	Make sure softener and bleach cap for dispenser are seated or they will not work.
Dispenser drawer not dispensing properly	Laundry detergent packet placed in dispenser drawer	Laundry detergent packets should not be used in the dispenser. They should only be added directly to the wash basket following the manufacturer's directions.
Pump running while washer is not in use	Clog in sump drain	This is normal. Drain sump is detecting an undesired water fill level from a potential open faucet. Shut off water valve and inspect water valve for blockage.

# GE Washer Warranty.



All warranty service provided by our Factory Service Centers, or an authorized Customer Care® technician. To schedule service, in the United States, visit us on-line at [GEAppliances.com](http://GEAppliances.com), or call 800.GE.CARES (800.432.2737). In Canada, visit [GEAppliances.ca](http://GEAppliances.ca) or call 1.800.561.3344. Please have serial number and model number available when calling for service.

Staple your receipt here. Proof of the original purchase date is needed to obtain service under the warranty.

## For The Period Of: We Will Replace:

### One Year

From the date of the original purchase

**Any part** of the washer which fails due to a defect in materials or workmanship. During this **limited one-year warranty**, GE will also provide, **free of charge**, all labor and related service costs to replace the defective part.

## What Is Not Covered:

- Service trips to your home to teach you how to use the product.
- Improper installation, delivery or maintenance.
- Failure of the product if it is abused, misused, or used for other than the intended purpose or used commercially.
- Replacement of house fuses or resetting of circuit breakers.
- Products which are not defective or broken, or which are working as described in the Owner's Manual.
- Damage to the product caused by accident, fire, floods or acts of God.
- Incidental or consequential damage caused by possible defects with this appliance.
- Defects or damage due to operation in freezing temperatures.
- Damage after delivery.
- Product not accessible to provide required service.

**EXCLUSION OF IMPLIED WARRANTIES—Your sole and exclusive remedy is product repair as provided in this Limited Warranty. Any implied warranties, including the implied warranties of merchantability or fitness for a particular purpose, are limited to one year or the shortest period allowed by law.**

## In the United States:

This warranty is extended to the original purchaser and any succeeding owner for products purchased for home use within the USA. If the product is located in an area where service by a GE Authorized Servicer is not available, you may be responsible for a trip charge or you may be required to bring the product to an Authorized GE Service location for service. In Alaska, the warranty excludes the cost of shipping or service calls to your home.

Some states do not allow the exclusion or limitation of incidental or consequential damages. This warranty gives you specific legal rights, and you may also have other rights which vary from state to state. To know what your legal rights are, consult your local or state consumer affairs office or your state's Attorney General.

**Warrantor: General Electric Company, Louisville, KY 40225**

## In Canada:

This warranty is extended to the original purchaser and any succeeding owner for products purchased in Canada for home use within Canada. If the product is located in an area where service by a GE Authorized Servicer is not available, you may be responsible for a trip charge or you may be required to bring the product to an Authorized GE Service location.

Some provinces do not allow the exclusion or limitation of incidental or consequential damages. This warranty gives you specific legal rights, and you may also have other rights which vary from province to province. To know what your legal rights are, consult your local or provincial consumer affairs office.

**Warrantor: MC Commercial, Burlington, ON, L7R 5B6**

## Consumer Support.

---



### GE Appliances Website

In the U.S.: **GEAppliances.com**

Have a question or need assistance with your appliance? Try the GE Appliances Website 24 hours a day, any day of the year! For greater convenience and faster service, you can now download Owner's Manuals, order parts or even schedule service on-line. **In Canada: [www.GEAppliances.ca](http://www.GEAppliances.ca)**



### Schedule Service

In the U.S.: **GEAppliances.com**

Expert GE repair service is only one step away from your door. Get on-line and schedule your service at your convenience any day of the year! Or call 800.GE.CARES (800.432.2737) during normal business hours.

**In Canada, call 1.800.561.3344**



### Real Life Design Studio

In the U.S.: **GEAppliances.com**

GE supports the Universal Design concept—products, services and environments that can be used by people of all ages, sizes and capabilities. We recognize the need to design for a wide range of physical and mental abilities and impairments. For details of GE's Universal Design applications, including kitchen design ideas for people with disabilities, check out our Website today. For the hearing impaired, please call 800.TDD.GEAC (800.833.4322).

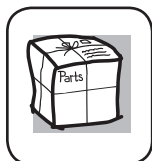
**In Canada, contact:** Manager, Consumer Relations, MC Commercial  
Suite 310, 1 Factory Lane  
Moncton, N.B. E1C 9M3



### Extended Warranties

In the U.S.: **GEAppliances.com**

Purchase a GE extended warranty and learn about special discounts that are available while your warranty is still in effect. You can purchase it on-line anytime, or call 800.626.2224 during normal business hours. GE Consumer Home Services will still be there after your warranty expires. **In Canada, call 1.888.261.2133**



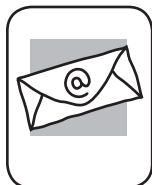
### Parts and Accessories

In the U.S.: **GEApplianceParts.com**

Individuals qualified to service their own appliances can have parts or accessories sent directly to their homes (VISA, MasterCard and Discover cards are accepted). Order on-line today, 24 hours every day or by phone at 800.626.2002 during normal business hours.

Instructions contained in this manual cover procedures to be performed by any user. Other servicing generally should be referred to qualified service personnel. Caution must be exercised, since improper servicing may cause unsafe operation.

Customers **in Canada** should consult the yellow pages for the nearest Mabe service center, or call 1.800.661.1616.



### Contact Us

In the U.S.: **GEAppliances.com**

If you are not satisfied with the service you receive from GE, contact us on our Website with all the details including your phone number, or write to:

General Manager, Customer Relations  
GE Appliances, Appliance Park  
Louisville, KY 40225

**In Canada: [www.GEAppliances.ca](http://www.GEAppliances.ca), or write to:** Director, Consumer Relations, MC Commercial  
Suite 310, 1 Factory Lane  
Moncton, N.B. E1C 9M3

For questions on installation call 1-800-626-2000 (US) and 1-800-561-3344 (Canada).



### Register Your Appliance

In the U.S.: **GEAppliances.com**

Register your new appliance on-line—at your convenience! Timely product registration will allow for enhanced communication and prompt service under the terms of your warranty, should the need arise. You may also mail in the pre-printed registration card included in the packing material. **In Canada: [www.GEAppliances.ca](http://www.GEAppliances.ca)**





# Laveuses

**Guide de l'utilisateur et  
Instruction d'installation**

- GFWS1705
- GFWS1700
- GFWN1600
- GFWN1300
- GFWH1200
- GFWN1100

**Mesures de sécurité**..... 2, 3

**Fonctionnement**

Caractéristiques..... 4-8  
 Contrôles ..... 9, 10  
 Chargement ..... 10

**Entretien et nettoyage** ..... 11, 12

**Installation**

Préparation à l'installation de  
 votre laveuse ..... 13  
 Emplacement de votre laveuse ..... 14  
 Dimensions ..... 14  
 Déballage de votre laveuse ..... 15  
 Exigences électriques ..... 16  
 Instructions de mise à la terre ..... 16  
 Exigences d'alimentation d'eau ..... 16  
 Installation de la laveuse ..... 17, 18  
 Pièces de rechange ..... 18

**Conseils de dépannage** ..... 19-22

**Soutien au consommateur**

Garantie (Canada)..... 23  
 Soutien au consommateur ..... 24



En qualité de partenaire ENERGY STAR®, GE a trouvé que ce produit rencontre les directives d'ENERGY STAR® en matière d'efficacité énergétique.

**Inscrivez ici les numéros de modèle et de série :**

**Modèle #** \_\_\_\_\_

**Série #** \_\_\_\_\_


Vous les trouverez sur une étiquette placée du côté de la laveuse.


# RENSEIGNEMENTS DE SÉCURITÉ IMPORTANTS.

## LISEZ TOUTES LES INSTRUCTIONS AVANT L'UTILISATION.


 Ceci est un symbole d'alerte de sécurité. Ce symbole prévient d'un risque mortel ou de blessures encouru par vous et d'autres personnes. Tous les messages de sécurité s'inscrivent à la suite du symbole d'alerte et du mot « DANGER », « AVERTISSEMENT » ou « MISE EN GARDE ». Ces mots sont associés aux définitions suivantes :

 **DANGER** Indique une situation dangereuse qui, si elle n'est pas évitée, causera des blessures sévères, voire la mort.

 **AVERTISSEMENT** Indique une situation dangereuse qui, si elle n'est pas évitée, peut causer des blessures sévères, voire la mort.

 **MISE EN GARDE** Indique une situation dangereuse qui, si elle n'est pas évitée, peut causer des blessures mineures ou modérément graves.

## INSTRUCTIONS DE SÉCURITÉ IMPORTANTES

 **AVERTISSEMENT** Pour réduire le risque de décès, d'incendie, d'explosion, de choc électrique ou de blessure aux personnes utilisant cet appareil, observez des précautions élémentaires dont les suivantes :

- Lisez toutes les instructions avant d'utiliser l'appareil.
- NE séchez NI ne lavez les articles qui ont été précédemment nettoyés, lavés, trempés ou détachés à l'aide d'essence, de solvants de nettoyage à sec ou d'autres substances inflammables ou explosives, puisqu'ils peuvent émettre des vapeurs susceptibles de s'enflammer ou d'exploser.
- N'ajoutez PAS d'essence, de solvants pour nettoyage à sec ni d'autres substances inflammables ou explosives dans l'eau de lavage. Ces substances émettent des vapeurs susceptibles de s'enflammer ou d'exploser.
- Dans certaines conditions, de l'hydrogène peut se former dans un circuit d'eau chaude qui n'a pas été utilisé pendant deux semaines ou plus. L'HYDROGÈNE EST UN GAZ EXPLOSIF. Si le système d'eau chaude n'a pas été utilisé sur une telle durée, avant d'utiliser la laveuse, ouvrez tous les robinets d'eau chaude pour faire couler l'eau de chaque robinet pendant plusieurs minutes. Cette mesure libérera tout gaz d'hydrogène accumulé. Étant donné que ce gaz est inflammable, NE fumez NI n'utilisez une flamme nue durant cette manœuvre.
- NE laissez PAS les enfants jouer sur ou dans cet appareil ou tout autre. Une surveillance étroite est requise lorsque des enfants se trouvent à proximité de l'appareil en fonctionnement. Enlevez la porte ou le couvercle de la laveuse lorsque l'appareil est mis hors service ou au rebut. L'omission d'observer ces instructions peut causer le décès ou des blessures.
- NE vous penchez PAS dans l'appareil si la cuve ou l'agitateur est en mouvement afin de prévenir l'emmêlement.
- N'installez NI ne rangez cet appareil dans un endroit exposé aux intempéries.
- NE modifiez PAS les commandes, ne réparez NI remplacez une quelconque pièce et ne tentez aucune réparation de cet appareil, à moins que cela ne soit expressément recommandé dans les instructions d'entretien ou de réparation destinées à l'utilisateur et dont vous avez une compréhension et une compétence suffisantes pour les appliquer.
- NE faites PAS fonctionner cet appareil s'il est endommagé, ne fonctionne pas correctement, est en partie démonté, ou encore si des pièces sont manquantes ou abîmées, y compris le cordon électrique ou sa fiche.
- Débranchez l'appareil ou fermez le disjoncteur avant une réparation. Le fait d'appuyer sur le bouton Power (Alimentation) NE coupe PAS l'alimentation électrique.
- Consultez la section « Exigences électriques » des instructions d'installation pour connaître la procédure de mise à la terre.

## CONSERVEZ CES INSTRUCTIONS

 **AVERTISSEMENT**  - Risque d'incendie

Ne placez pas, dans la laveuse, d'articles qui sont imbibés d'essence ou d'autres liquides inflammables. Aucune laveuse ne peut éliminer l'huile totalement.

NE séchez AUCUN article qui a déjà reçu un type d'huile quelconque (y compris les huiles de cuisson). L'omission de prendre ces précautions peut provoquer la mort, l'explosion ou l'incendie.

## INSTALLATION APPROPRIÉE



Cette laveuse doit être installée correctement et positionnée conformément aux instructions d'installation avant l'utilisation. Si vous n'avez pas reçu le guide d'installation, vous pouvez le recevoir en visitant **GEAppliances.com** ou en composant **800.GE.CARES (800.432.2737)**. Au Canada, visitez le **www.electromenagersge.ca** ou appelez le **800.561.3344**.

- Assurez-vous que le flexible d'eau chaude est connecté au robinet en « H » (grillage interne rouge) et que le flexible d'eau froide est connecté au robinet en « C » (grillage interne bleu).
- Installez ou rangez l'appareil là où il ne sera pas exposé à des températures inférieures au point de congélation ou aux intempéries, sinon il y a risque de dommage permanent et invalidation de la garantie.
- Mettez correctement la laveuse à la terre conformément à tous les codes et règlements en vigueur. Observez la procédure détaillée décrite dans les instructions d'installation.
- Cette laveuse n'est pas livrée avec les flexibles d'alimentation d'eau.  
GE recommande vivement l'utilisation de pièces spécifiées par le fabricant. La liste ci-dessous énumère les flexibles que l'on peut se procurer auprès du fabricant. Ces flexibles sont fabriqués et essayés de façon à satisfaire aux spécifications de GE.  
GE recommande vivement l'utilisation de flexibles d'alimentation d'eau neufs. Les flexibles se détériorent avec le temps et ils doivent être remplacés tous les 5 ans afin de réduire le risque de défaillance ou de dégât d'eau.

### Pièces et accessoires

Commandez en ligne sur **GEApplianceparts.com** 24 heures sur 24, ou en téléphonant au 800.626.2002 durant les heures normales de bureau. Au Canada, appelez le 800.661.1616.

### Numéro de pièce Accessoire

PM14X10002	Flexibles d'alimentation d'eau en caoutchouc – 1,2 m (4 pi)
<i>Ou</i>	
PM14X10005	Flexibles d'alimentation d'eau en métal tressé – 1,2 m (4 pi)
WX10X10011	Nettoyant pour laveuse Tide®*
PM7X1	Plateau de plancher pour laveuse

### **AVERTISSEMENT** - Risque d'électrocution

Brancher à une prise de courant à 3 broches mise à la terre.

**NE PAS** retirer la broche de contact de mise à la terre.

**N'UTILISEZ** pas de rallonge électrique.

**N'UTILISEZ** pas d'adaptateur de prise.

Le non-respect de ces instructions pourrait entraîner un décès ou un choc électrique.

## LORSQUE L'APPAREIL N'EST PAS UTILISÉ

- Fermez les robinets pour minimiser les fuites dans l'éventualité d'un bris ou d'une rupture. Vérifiez l'état des flexibles de remplissage ; GE recommande de remplacer les flexibles tous les 5 ans.

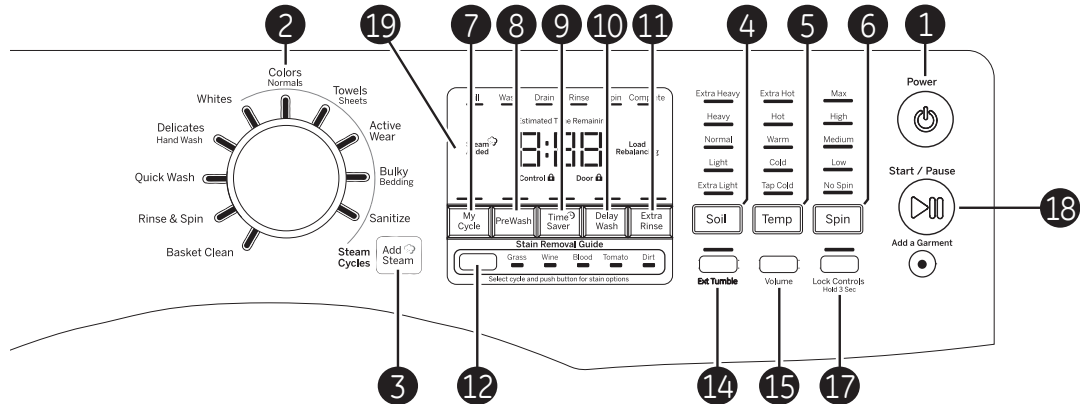
## CONSERVEZ CES INSTRUCTIONS

# Le panneau de contrôle de votre laveuse.

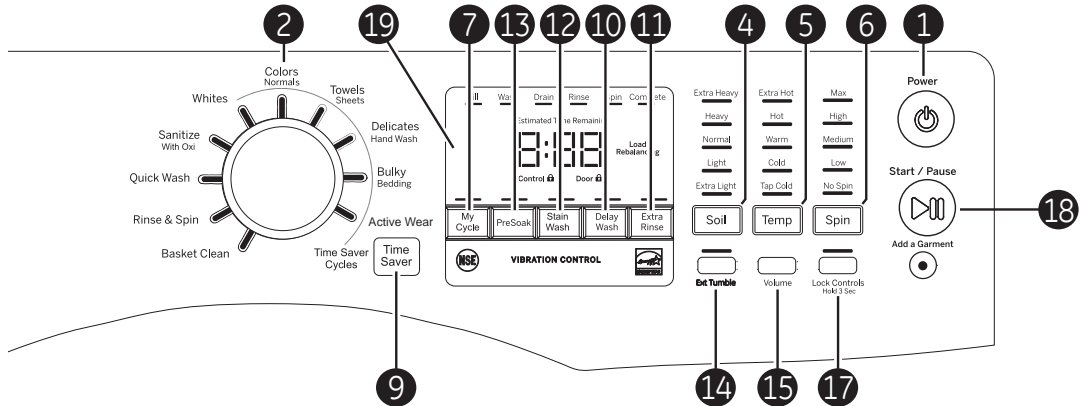
Dans ce manuel, les commandes et l'aspect des éléments peuvent différer de votre modèle.

Vous pouvez repérer le numéro de modèle sur l'étiquette figurant sur le côté de la laveuse ou à l'intérieur de la porte de la laveuse.

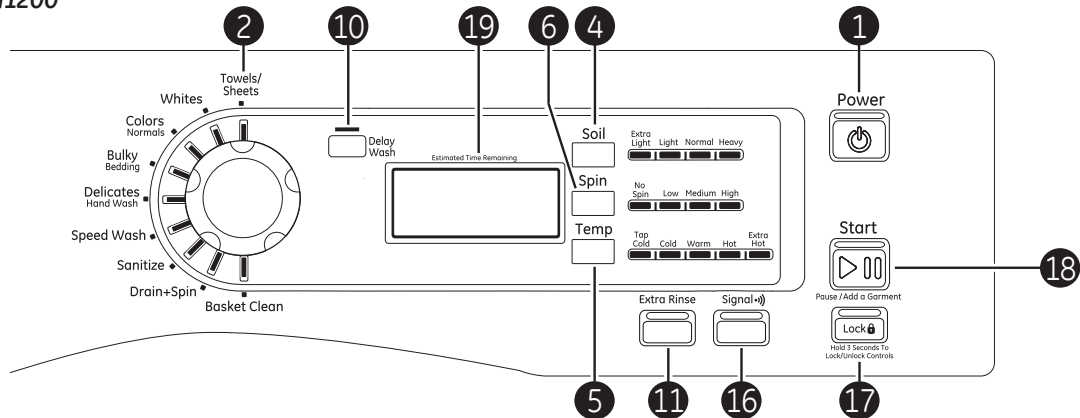
Modèles : **GFWS1700 et GFWS1705** - Laveuse à la vapeur avec **Time Saver** (Sauve-temps)



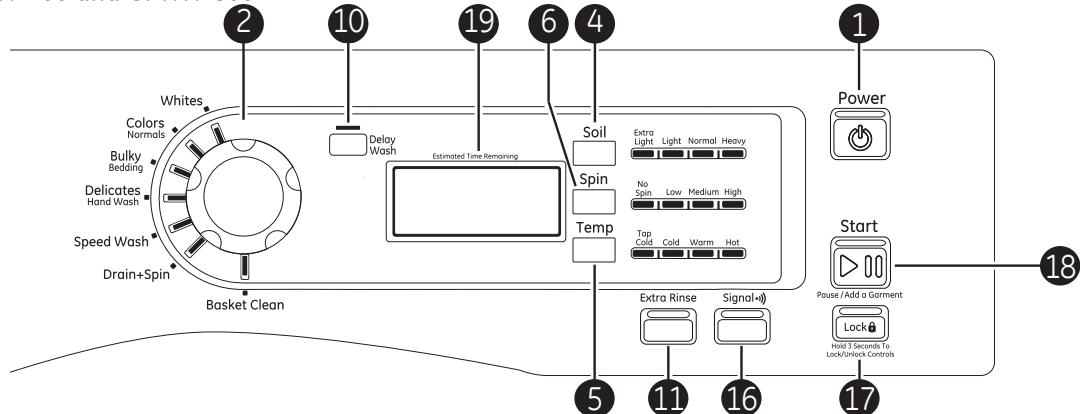
Modèle : **GFWN1600** - Laveuse avec **Time Saver** (Sauve-temps)



Modèle : **GFWH1200**



Modèles : **GFWN1100 and GFWN1300**





## 1 Power (Alimentation)

Appuyez pour activer l'affichage. Si l'affichage est actif, appuyez pour mettre la laveuse en mode d'attente.

**NOTE :** Vous ne débranchez pas votre appareil de l'alimentation électrique en appuyant sur **Power** (Alimentation).




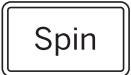
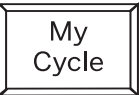

## 2 Cycles de lavage

Les cycles sont optimisés pour des catégories particulières de charges de lavage. Le tableau ci-dessous vous aidera à trouver un réglage de lavage qui correspond à votre charge de lavage.

<b>Colors/Normals*</b> (Couleurs/Normales)	Pour les cotonnades de couleurs non solides, le linge de maison, les vêtements de travail et de jeu très à légèrement salés.
<b>Whites*</b> (Blancs)	Pour la lessive, les vêtements de travail et de jeux très à légèrement salés.
<b>Bulky/Bedding*</b> (Literie/Volumineuse)	Pour articles grand format tels que couettes, couvertes, carpettes et articles similaires volumineux.
<b>Active Wear*</b> (Vêtements Sport) (sur certains modèles)	Pour les vêtements de sport, d'exercices et certains vêtements sport. Les tissus comprennent les fibres et finis modernes comme le spandex, les fibres élastiques et les microfibres.
<b>Sanitize*</b> (Désinfecter) (sur certains modèles)	<p>Pour une température d'eau plus élevée qui désinfecte, éliminant plus de 99,9 % des bactéries que l'on retrouve communément dans la lessive domestique. Pour les meilleurs résultats, sélectionnez le réglage pour articles très sales lorsque vous utilisez le cycle <b>Sanitize</b> (Désinfecter).</p> <div style="border: 1px solid black; padding: 2px; display: inline-block;">  <p style="font-size: 8px; margin: 0;">Protocole NSF P172 Rendement de désinfection de laveuses résidentielles et commerciales, de taille familiale</p> </div>
<b>Sanitize with Oxi</b> (Désinfecter avec Oxi) (sur certains modèles)	<p>Le cycle <b>Sanitize with Oxi</b> (Désinfecter avec Oxi) est conçu pour éliminer 99,9% des bactéries présentes dans les vêtements à laver si un additif Oxi est utilisé avec votre détergent.</p> <p>Mesurer le détergent et les produits Oxi attentivement. En utilisant les quantités appropriées pour une grande charge très sale, suivez les instructions sur l'étiquette du détergent et du produit Oxi. Le détergent doit être ajouté en utilisant les instructions du distributeur tel qu'indiqué à la page 9 de ce guide. Placez le produit Oxi directement dans le fond du tambour de lavage, avant d'ajouter les vêtements. Le robinet d'alimentation en eau chaude doit fournir un minimum de 120° F pour assurer l'efficacité de ce cycle.</p> <p><b>NOTE:</b> La température par défaut de l'eau du cycle <b>Sanitize With Oxi</b> NE peut pas être changée.</p> <p>Le cycle <b>Sanitize With Oxi</b> est certifié par NSF International, une organisation tierce indépendante de testage et certification. La certification a vérifié que le cycle réduit 99,9% des bactéries habituellement trouvés dans la lessive résidentielle et qu'aucune contamination importante est transférée aux charges suivantes. Seulement le cycle <b>Sanitize With Oxi</b> a été conçu pour répondre aux exigences du Protocole NSF P172 pour une désinfection efficace.</p> <div style="border: 1px solid black; padding: 2px; display: inline-block;">  <p style="font-size: 8px; margin: 0;">Protocole NSF P172 Rendement de désinfection de laveuses résidentielles et commerciales, de taille familiale</p> </div>
<b>Towels/Sheets*</b> (Serviettes/Draps) (sur certains modèles)	Pour articles tels que serviettes, draps, taies d'oreiller et lavettes.
<b>Delicates/Hand Wash</b> (Déliçats/Lavage à la Main)	Pour les articles étiquetés lavage à la main peu sales. Offre un secado delicado y remojo durante el lavado y enjuague. Assure un trempage et un culbutage déliçats pendant le lavage et le rinçage.
<b>Speed Wash ou Quick Wash</b> (Lavage Rapide)	Pour articles légèrement sales qu'il faut laver en vitesse. La durée du cycle est d'environ 30 minutes, selon les options choisies.
<b>Rinse &amp; Spin</b> (Rinçage & Essorage) (sur certains modèles)	Pour rincer et essorer rapidement tous les vêtements en tout temps. Désélectionnez l'option <b>Extra Rinse</b> (Rinçage supplémentaire) pour obtenir le cycle Drain + Spin (Vidange + Essorage).
<b>Drain + Spin</b> (Vidange + Essorage) (sur certains modèles)	Pour vidanger et essorer rapidement tous les vêtements en tout temps.
<b>Basket Clean</b> (Nettoyage de cuve)	Pour nettoyer le panier de résidus et odeurs. <b>Utilisation recommandée d'au moins une fois par mois. REMARQUE :</b> Ne chargez jamais une brassée pendant l'utilisation de l'option <b>Basket Clean</b> (Nettoyage de cuve). Les articles de la brassée pourraient subir des dommages. Consultez la section <b>Entretien et nettoyage</b> .

\* L'option (sur certains modèles) **Add Steam** (Ajout de vapeur) peut être utilisée avec ce cycle.

# Réglage des contrôles.

- 3**  **Add Steam (Ajout de vapeur)** (sur certains modèles)
- Le **Add Steam** (Ajout de vapeur) ajoute de la vapeur dans la laveuse pendant les cycles **Whites** (Blancs), **Colors/Normal** (Couleurs/Normale), **Towels/Sheets** (Serviettes/Draps), **Active Wear** (Vêtements sport) ou **Power Clean** (Nettoyage puissant) (selon le modèle), **Bulky Bedding** (Lingerie volumineuse) ou **Sanitize** (Désinfecter).
- Utilisation :**
1. Allumez la laveuse (**ON**) et sélectionnez le cycle de lavage.
  2. Sélectionnez le bouton **Add Steam** (Ajout de vapeur) pour activer la vapeur.
  3. Appuyez sur le bouton **Start/Pause** (Marche/Pause).
- 
- 4**  **Soil (Saleté)** (sur certains modèles)
- En changeant le **Soil** level (niveau de saleté), vous augmentez ou diminuez la durée de lavage pour enlever divers montants de saleté.
- Pour changer le **Soil** level (niveau de saleté), appuyez sur le bouton **Soil** level (niveau de saleté) jusqu'au réglage désiré. Vous pouvez choisir entre Extra Light (très peu sale), Light (peu sale), Normal (normal) ou Heavy Soil (très sale).
- 
- 5**  **Temp (Température)** (sur certains modèles)
- Ajustez pour choisir la bonne principale température de l'eau pour le cycle de lavage. L'eau de **PreSoak** (Prétrempage) et **PreWash** (Pré-lavage) de rinçage est toujours froide pour réduire l'utilisation d'énergie et diminuer la fixation des taches et les froissements. Suivez l'étiquette du fabricant pour choisir la température de lavage.
- Pour changer la température de lavage, appuyez sur le bouton **Temp** (Température de lavage) jusqu'au réglage désiré. Vous pouvez choisir entre Tap Cold (Froide
- de robinet), Cold (Froide), Warm (Tiède), Hot (Chaude) ou Extra Hot (Très chaude) (offert avec les modèles équipés d'un chauffe-eau). Pour protéger les tissus, certains cycles ne donnent pas accès à toutes les températures de lavage.
- NOTE :** Pendant les dix premières secondes du remplissage, l'eau est toujours froide. Cela aide à conditionner les tissus et empêche la fixation des taches sur les vêtements.
- 
- 6**  **Spin (Essorage)** (sur certains modèles)
- En changeant la **Spin** (Vitesse d'essorage), vous changez la vitesse de l'essorage final des cycles. Suivez toujours les instructions de l'étiquette du vêtement pour changer la **Spin** (Vitesse d'essorage).
- Pour changer la **Spin** (Vitesse d'essorage), appuyez sur le bouton **Spin** (Vitesse d'essorage) jusqu'au réglage désiré. Vous pouvez choisir entre No Spin (Pas d'essorage), Low (Lent), Medium (Modéré), High (Rapide) ou Max (Très rapide). Les vitesses d'essorage les plus rapides ne sont pas offertes pour certains cycles, comme le cycle **Delicates** (Déliçats).
- Les vitesses d'essorage plus rapides enlèvent plus d'eau des vêtements, et aident à réduire le temps de séchage, mais augmentent également la possibilité de froisser certains tissus.
- 
- 7**  **My Cycle (Favori)** (sur certains modèles)
- Pour sauvegarder un cycle favori, choisissez le réglage désiré pour le cycle de lavage, le degré de saleté, la vitesse d'essorage et la température de l'eau et appuyez sur la touche **My Cycle** (Favori) pendant 3 secondes. Un signal sonore indiquera que le cycle a été sauvegardé.
- Pour utiliser votre cycle personnalisé, appuyez sur la touche **My Cycle** (Favori) avant de laver une brassée.
- Pour changer le cycle sauvegardé, choisissez le réglage appuyez sur la touche **My Cycle** (Favori) pendant 3 secondes.
- REMARQUE:** Lorsque vous utilisez **My Cycle** (Favori), les options de lavage ne peuvent pas être modifiées après que le cycle est commencé.
- REMARQUE:** Si vous changez les options de lavage avec **My Cycle** (Favori) avant de commencer le cycle, le témoin **My Cycle** (Favori) s'éteindra et vous reviendrez au cycle de base.
- 
- 8**  **PreWash (Pré-lavage)** (sur certains modèles)
- Pré-lavage est un lavage supplémentaire avant le lavage principal. Utilisez-le pour les vêtements très sales ou pour les vêtements dont l'étiquette recommande un pré-lavage avant le lavage. Assurez-vous d'ajouter du détergent liquide ou en poudre à rendement élevé ou le bon additif de lavage au distributeur de pré-lavage.
- PreWash** (Pré-lavage) doit être sélectionné avant d'appuyer sur **Start** (Marche).
- La fonction de **PreWash** (Pré-lavage) déclenche les étapes suivantes : remplissage de la laveuse avec de l'eau froide (ajout du détergent de pré-lavage), culbutage des vêtements, évacuation et essorage. Ensuite, la laveuse exécute le cycle de lavage sélectionné.
- NOTE :** Pour certains cycles spéciaux, le pré-lavage est présélectionné par défaut. Vous pouvez modifier cette sélection en tout temps.

9



### Time Saver (Sauve-temps) (sur certains modèles)

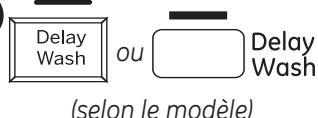
Utilisez cette option pour réduire la durée générale du cycle de lavage d'au moins 20 % sans nuire à la performance de lavage. Cette caractéristique peut être sélectionnée pour tous les cycles sauf **Basket Clean** (Nettoyage de cuve), **Sanitize** (Désinfecter), **Rinse + Spin** (Rinçage & Essorage) et **Quick Wash** (Lavage rapide).

Cette option modifiera le cycle de lavage en augmentant légèrement la température de l'eau et utilisera plus d'eau afin d'offrir une performance de lavage égale au cycle de base. Toutes les autres caractéristiques comme **Extra Rinse** (Rinçage supplémentaire), **Add Steam** (Ajout de vapeur) et d'autres peuvent être sélectionnées avec **Time Saver** (Sauve-temps), mais peuvent se régler de manière à obtenir la durée totale de lavage.

#### Utilisation :

1. Mettez la laveuse en marche et sélectionnez le cycle de lavage offrant l'option **Time Saver** (Sauve-temps).
2. Effectuez les réglages nécessaires pour **Soil** (Saleté), **Temp** (Température) et **Spin** (Essorage).
3. Appuyez sur le bouton **Time Saver** (Sauve-temps) pour réduire la durée générale du lavage.
4. Appuyez sur le bouton **Start/Pause** (Mise en marche/Pause).

10



(selon le modèle)

### Delay Wash (Lavage en différé)

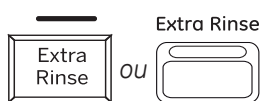
Vous pouvez retarder la mise en marche d'un cycle de lavage jusqu'à 24 heures. Appuyez sur le bouton **Delay Wash** (Lavage en différé) pour choisir la durée du délai précédant le démarrage du cycle de lavage. Une fois la durée désirée atteinte, appuyez sur le bouton **Start** (Mise en marche). La machine compte automatiquement le temps d'attente, puis se met en marche

automatiquement à l'heure désirée.

**NOTE :** Si vous oubliez de fermer complètement la porte, un signal sonore de rappel se fait entendre pour vous rappeler de le faire.

**NOTE :** Si vous ouvrez la porte pendant que la machine compte à rebours le temps qui reste avant la mise en marche, la machine fait une pause. Vous devez refermer la porte et appuyer à nouveau sur le bouton **Start** (Départ) pour recommencer le compte à rebours.

11



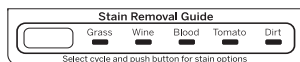
(selon le modèle)

### Extra Rinse (Rinçage Supplémentaire)

Cette option procure un rinçage supplémentaire durant un cycle afin d'éliminer la saleté excédentaire et le détergent des brassées sales.

Sur les modèles dotés du cycle **Rinse & Spin** (Rinçage et Essorage), un cycle vidange et essorage peut être obtenu en appuyant sur le bouton **Extra Rinse** (Rinçage supplémentaire) jusqu'à ce que le témoin ne soit pas éclairé.

12



OU



### Stain Removal Guide (Guide de détachage) (sur certains modèles)

Le guide de détachage comporte les meilleurs réglages préprogrammés de lavage et rinçage afin de venir à bout des cinq principaux types de taches. Pour utiliser cette fonctionnalité, sélectionnez le cycle de lavage désiré puis appuyez sur le bouton **Stain Removal Guide** (Guide de détachage) jusqu'à ce que le type de tache à faire disparaître soit en surbrillance. Ensuite, appuyez sur le bouton **Start** (Départ).

Pour certaines taches, un pré-lavage sera automatiquement sélectionné. Si désiré, ajoutez du détergent ou additif de lavage au distributeur de pré-lavage. **Add Steam** (Ajout

de vapeur) ne peut pas être sélectionné avec cette fonctionnalité.

### Stain Wash (Lavage des taches) (sur certains modèles)

Le modificateur **Stain Wash** peut être utilisé avec tous les cycles sauf **Rinse & Spin** (Rinçage et Essorage) et **Basket Clean** (Nettoyage de cuve) et est préprogrammé avec les paramètres de lavage et de rinçage idéales pour s'attaquer aux taches courantes. Pour utiliser cette fonction, sélectionnez le cycle de lavage désiré et appuyez sur le bouton **Stain Wash**.

Une fois sélectionné, appuyez sur le bouton **Start** (Départ) pour démarrer le cycle. Pour certaines taches, **PreSoak** (Prétrempage) sera sélectionné automatiquement.

13



### PreSoak (Prétrempage) (sur certains modèles)

Pour tremper vos vêtements avant le cycle de lavage. Cette option commence par un bref culbutage et procède ensuite à tremper les vêtements avec de l'eau et de détergent pour une période de temps spécifiée. Une fois terminé, le cycle commence automatiquement. **PreSoak** (Prétrempage) doit être sélectionné avant d'appuyer sur **Start** (Départ).

Le temps de **PreSoak** (Prétrempage) va ajouter 30 minutes supplémentaires à la durée totale du lavage. Pour la période de pré-trempage et du cycle de lavage principal, il est utilisé le détergent à haute efficacité du compartiment principal du distributeur de lavage.

# Réglage des contrôles.



## Extended Tumble (Culbutage prolongé) (sur certains modèles)

Les vêtements sont culbutés périodiquement pendant près de 8 heures après la fin du cycle de lavage pour assouplir les plis et faux-plies si vous ne pouvez pas mettre immédiatement les vêtements dans la sècheuse.

À la fin du cycle, l'afficheur indiquera « END » (fin du cycle) puis le cycle de **Extended**

**Tumble** (Culbutage prolongé) commencera après 10 minutes. Vous pouvez arrêter le culbutage en appuyant sur le bouton **Power** (mise en marche) à n'importe quel moment.

**Remarque** : L'option **Extended Tumble** (Culbutage prolongé) ne peut pas être ajoutée à la caractéristique **My Cycle** (Favori).



## Volume

Ce bouton a deux fonctions :

- Pour modifier l'intensité sonore du signal de fin de cycle, appuyez sur ce bouton autant de fois nécessaires afin d'atteindre l'intensité sonore désirée. Il y a quatre niveaux d'intensité incluant la sourdine.

- Pour activer cette fonction, appuyez et maintenez le bouton ON/OFF (Marche/Arrêt) pendant 3 secondes.



## Cycle Signal (Signal de fin de cycle)

Utilisez la touche Signal pour changer le volume du signal de fin de cycle.

Appuyez sur la touche jusqu'au volume désiré.



## Lock Controls (Verrouillage de contrôle) ou Lock (Verrouillage) (selon le modèle)

Vous pouvez verrouiller les contrôles pour empêcher tout choix de cycle, ou vous pouvez verrouiller les contrôles après avoir commencé un cycle.

Les enfants ne peuvent pas mettre accidentellement en marche la laveuse en appuyant sur des touches quand vous choisissez cette option.

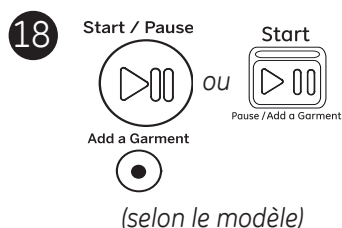
Pour verrouiller les contrôles de la laveuse, appuyez sur le bouton **Lock Controls** (Verrouillage de contrôle) ou **Lock** (Verrouillage) et tenez-la appuyée pendant 3 secondes.

Pour déverrouiller les contrôles de la laveuse, appuyez sur le bouton **Lock Controls** (Verrouillage de contrôle) ou **Lock** (Verrouillage) et tenez-la appuyée pendant 3 secondes.

Un son retentit pour indiquer l'état verrouillé/déverrouillé.

Le témoin au-dessus du bouton s'allumera une fois les commandes verrouillées.

**NOTE** : Vous pouvez encore utiliser le bouton **Power** (Alimentation) quand la machine est verrouillée.



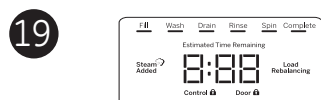
## Start/Pause (Départ/Pause)-Add A Garment (Ajout d'un vêtement)

Appuyez pour mettre en marche un cycle de lavage. Si la laveuse fonctionne, vous l'arrêtez en appuyant une fois et déverrouillez la porte. Après avoir appuyer sur **Pause** (Pause), il s'écoulera quelques secondes avant que la porte ne s'ouvre. Appuyez à nouveau pour remettre en marche le cycle de lavage.

**NOTE** : En arrêtant la laveuse et en ne remettant pas en marche le cycle dans les 15 minutes qui suivent, vous annulez le cycle de lavage actuel.

**NOTE** : Dans certains cycles, la laveuse évacuera l'eau d'abord, puis déverrouillera la porte à la pause.

**NOTE** : La laveuse procède à des vérifications automatiques du système une fois que vous avez appuyé sur le bouton **Start** (Départ). L'eau se mettra à couler dans un délai de 45 secondes ou moins. Vous entendrez peut-être la porte se verrouiller et se déverrouiller avant que l'eau ne coule; ceci est normal.



(l'apparence peut varier et tous les modèles n'incluent pas toutes les caractéristiques)

## Écran

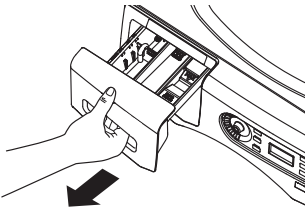
Affiche le temps restant approximatif jusqu'à la fin du cycle.

**REMARQUE** : La durée du cycle est influencée par la pression de l'eau de votre maison et l'équilibre de la charge dans la laveuse. Vous pouvez voir augmenter la durée restante sur l'afficheur

lors d'un essorage à basse vitesse nécessaire lorsque les charges sont déséquilibrées.

Sur certains modèles, l'état d'avancement du cycle est aussi affiché ainsi que la sélection de certaines fonctions telles que **Delay Wash** (Lavage en différé) ou **Steam** (Vapeur).

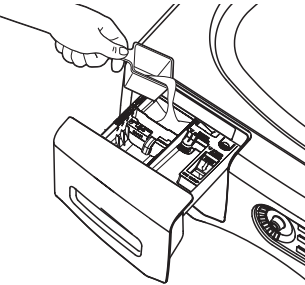




## Le tiroir distributeur

Ouvrez doucement le tiroir distributeur en le tirant jusqu'à ce qu'il s'arrête. Après avoir ajouté les produits de lavage, fermez doucement le tiroir distributeur. Une fermeture trop rapide du tiroir pourrait entraîner une distribution prématurée du javellisant, de l'assouplisseur ou du détergent.

Il est possible que vous voyiez de l'eau dans le tiroir distributeur à la fin du cycle. C'est le résultat de l'action de chasse/siphonnement de l'eau et fait partie du fonctionnement normal de la laveuse.



## Le compartiment de Prélavage (sur certains modèles)

- Utilisez le compartiment de prélavage seulement si vous avez choisi le cycle de prélavage pour le linge très souillé. Ajoutez une mesure de détergent ou un additif de prélavage dans le compartiment à l'arrière gauche du tiroir distributeur.
- Le détergent ou l'additif de prélavage est chassé du distributeur durant le cycle de prélavage (s'il a été choisi).

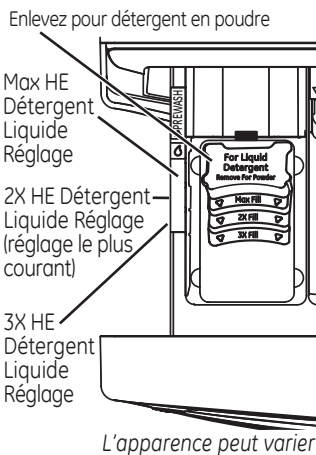
**REMARQUE:** Le détergent liquide s'écoulera dans le panier de la laveuse à mesure que vous l'ajoutez.

- L'utilisation du détergent peut nécessiter un ajustement pour la température et la dureté de l'eau, la taille et le niveau de souillure de la brassée. Évitez d'utiliser trop de détergent dans votre laveuse, car cela peut entraîner un excédent de mousse et des résidus de détergente sur les vêtements.

## Le compartiment de Détergent

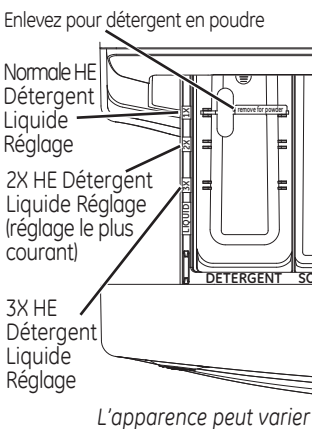
- **Un détergent à haute efficacité est nécessaire pour cette laveuse. Utilisez la quantité recommandée par le fabricant du détergent.**
- Ajoutez une mesure de détergent à l'avant gauche du compartiment de détergent du tiroir distributeur.
- Le détergent est chassé du distributeur au début du cycle de lavage. Vous pouvez utiliser du détergent en poudre ou liquide.

- L'utilisation du détergent peut nécessiter un ajustement pour la température et la dureté de l'eau, la taille et le niveau de souillure de la brassée. Évitez d'utiliser trop de détergent dans votre laveuse, car cela peut entraîner un excédent de mousse et des résidus de détergente sur les vêtements.
- L'utilisation de plus de détergent qu'il est recommandé peut entraîner des accumulations de résidus dans votre laveuse.



## Sur les modèles avec un compartiment de détersif amovible

- **Détergent en poudre** - Retirez le compartiment liquid detergent (détersif liquide) et placez-le en lieu sûr à l'extérieur de la laveuse. Respectez les instructions du fabricant de détergent pour la mesure de la quantité de poudre.
- **Détergent liquide** - Repérez la concentration du détergent sur la bouteille. Ne remplissez pas au-delà de la ligne Max Fill (Remplissage maximal) du compartiment détergent (détersif) selon le niveau de concentration de votre détersif.



## Sur les modèles avec une case de choix de détergent

La case de choix de détergent doit être placée dans le compartiment de détergent dans une position particulière selon le type de détergent que vous utilisez.

- **Détergent en Poudre** - Enlevez la case de choix de détergent et placez-le en lieu sûr à l'extérieur de la laveuse.
- **Détergent Liquide** - Vous devrez ajuster la case selon le type de détergent liquide que vous utilisez. Les icônes sur le côté du compartiment de détergent doivent être alignées sur le centre lorsque la case est en position.

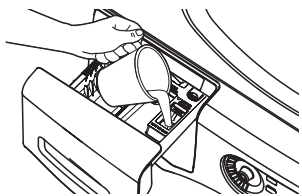
**REMARQUE:** Les modèles n'ont pas tous les réglages de détergent liquide 2x et 3x. Certains modèles ont seulement les réglages pour le détergent HE. Vous devez réduire la quantité de détergent pour le détergent 2x et 3x selon les instructions sur la bouteille.

Déplacez la case en la tirant et remplacez-la en la glissant à l'arrière ou à l'avant entre les rails moulés du compartiment de détergent, si désiré, pour le détergent liquide. Enlevez la case pour le détergent en poudre.

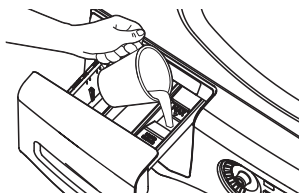
Du détergent liquide peut s'écouler sous la case avant le démarrage du cycle. Ceci est normal et ne nuira pas à la performance de lavage.

## Les caractéristiques de votre laveuse.

Sur certains modèles :



Sur certains modèles :



### Le compartiment de Javellisant Liquide

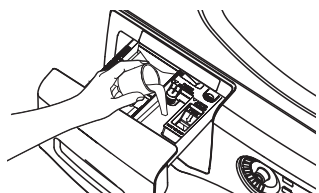
**IMPORTANT :** La position du compartiment de javellisant liquide peut varier selon le modèle. Assurez-vous d'identifier le bon compartiment pour le javellisant avant de l'utiliser.

Si désiré, mesurez la quantité recommandée d'assouplisseur liquide, ne dépassez pas 80 ml (1/3 de tasse) et versez-le dans le compartiment de droite marqué « LIQUID BLEACH » (javellisant liquide).

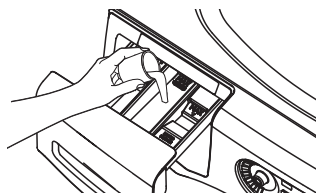
Ne dépassez pas la ligne de remplissage maximum. Un remplissage excessif peut causer une distribution prématurée du javellisant, ce qui peut endommager les vêtements.

**REMARQUE :** N'utilisez pas de javellisant en poudre dans le distributeur.

Sur certains modèles :



Sur certains modèles :



### Le compartiment d'assouplisseur

**IMPORTANT :** La position du compartiment d'assouplisseur peut varier selon le modèle. Assurez-vous d'identifier le bon compartiment pour l'assouplisseur avant de l'utiliser.

Si désiré, versez la quantité recommandée d'assouplisseur liquide dans le compartiment marqué « FABRIC SOFTENER » (assouplisseur). Utilisez uniquement de l'assouplisseur liquide dans le distributeur.

Diluez avec de l'eau jusqu'à la ligne de remplissage maximum.

Ne dépassez pas la ligne de remplissage maximum. Un remplissage excessif peut causer une distribution prématurée de l'assouplisseur, ce qui peut tacher les vêtements.

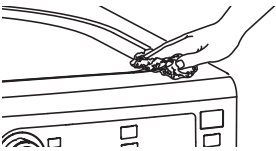
**REMARQUE :** Ne versez pas l'assouplisseur directement sur la brassée de lavage.

## Chargement de la laveuse

Vous pouvez charger complètement le tambour de lavage en ajoutant les articles lachement. **Ne lavez jamais de vêtements qui contiennent des matériaux inflammables (cires, liquides de nettoyage, etc.).**

### Exemples de brassées

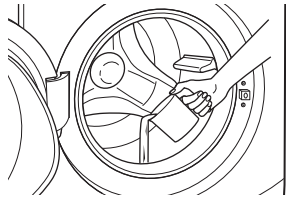
VÊTEMENTS DE TRAVAIL	LINGE DE MAISON	BRASSÉES MIXTES	TISSUS DÉLICATS*	LAVAGES RAPIDES (2 à 4 vêtements)
4 Jeans	2 draps de bain	4 taies d'oreiller	7 soutiens-gorge	2 chemises sport
5 chemises de travail	10 serviettes de bain/ 12 débarbouillettes	2 essuie-mains 2 draps plats/ 2 draps-housses	7 culottes	1 pantalons sport
5 pantalons de travail	7 essuie-mains/ 2 tapis de baignoire en tissu éponge	2 serviettes de bain/ 4 débarbouillettes	3 slips	<b>OU</b>
	<b>OU</b>	<b>OU</b>	2 camisoles	3 uniformes de soccer
	2 draps plats format grand lit	6 chemises (homme ou femme)	4 chemises de nuit	
	2 draps-housses format grand lit	4 pantalons (kakis ou tissus croisés)	*On recommande de placer les petits articles dans un sac en filet de nylon.	
	4 taies d'oreiller	5 tee-shirts		
		7 boxeurs		
		4 caleçons		
		<b>OU</b>		
		6 tee-shirts		
		4 pantalons molletonnés		
		4 pulls molletonnés		
		2 kangourous		
		7 paires de bas		



## Extérieur

Essuyez immédiatement tout déversement. Essuyez avec un linge humide. Ne frappez pas la surface avec des objets coupants. Videz

toute l'eau des conduites si la température peut être plus froide que le point de congélation.



## Intérieur

Pour nettoyer l'intérieur de la laveuse, choisissez la fonction **Basket Clean** (Nettoyage de cuve) sur le panneau de commande. Le cycle **Basket Clean** (Nettoyage de cuve) doit être exécuté au minimum une fois par mois. Ce cycle utilise plus d'eau, en plus du javellisant, afin de contrôler le taux d'accumulation de la saleté et du détersif dans votre laveuse.

**REMARQUE :** Lisez les instructions ci-dessous en entier avant de démarrer le cycle de **Basket Clean** (Nettoyage de cuve).

1. Enlevez tout vêtement ou objet de la laveuse et assurez-vous que le panier de la laveuse est vide.
2. Ouvrez la porte de la laveuse et versez une tasse ou 250 ml de javellisant liquide ou autre nettoyant de laveuse dans le panier.
3. Fermez la porte et choisissez le cycle de **Basket Clean** (Nettoyage de cuve). Appuyez sur la touche **Start** (Mise en Marche).
4. Lorsque le cycle **Basket Clean** (Nettoyage de cuve), l'affichage indiquera la durée résiduelle estimée du cycle. Le cycle se terminera dans 90 minutes. N'interrompez pas le cycle.
5. Lorsque le cycle est terminé, laissez la porte légèrement ouverte pour une meilleure aération.

Si pour une raison quelconque le cycle doit être interrompu, la porte ne s'ouvrira pas immédiatement. Forcer la porte à s'ouvrir à ce stade peut causer un débordement d'eau. La porte s'ouvrira lorsque l'eau aura été vidée à un niveau où elle ne débordera pas sur le plancher.

Vous pouvez interrompre le cycle de **Basket Clean** (Nettoyage de cuve) en appuyant sur la touche **Start** (Mise en marche) entre les cycles. Une panne de courant peut également interrompre le cycle. Au retour du courant, le cycle de **Basket Clean** (Nettoyage de cuve) reprend là où il s'était arrêté. Lorsque le cycle est interrompu, assurez-vous de reprendre un cycle complet de Nettoyage de cuve avant d'utiliser la laveuse. Si vous appuyez sur la touche **Start** (Alimentation) durant le **Basket Clean** (Nettoyage de cuve), le cycle sera perdu.

### IMPORTANT :

- Effectuez le **Basket Clean** (Nettoyage de cuve) avec 250 ml (1 tasse) de javellisant une fois par mois.
- Lorsque le cycle **Basket Clean** (Nettoyage de cuve) est terminé, l'intérieur de votre laveuse peut avoir une odeur de javellisant.
- Il est recommandé de laver une brassée de couleur pâle après le cycle de **Basket Clean** (Nettoyage de cuve).

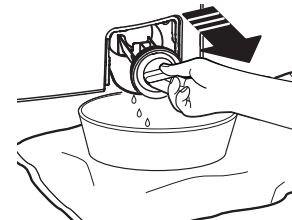
## Nettoyage du filtre de la pompe

En raison de la nature de la laveuse à chargement frontal, il est parfois possible pour les petits articles d'atteindre la pompe. La laveuse présente un filtre pour piéger les articles perdus pour qu'ils ne tombent pas dans le drain. Pour récupérer les articles perdus, nettoyez le filtre de la pompe.

1. Ouvrez la porte d'accès à l'aide d'un petit tournevis à tête plate ou pièce de monnaie.
2. Placez un plat ou un bac peu profond sous la porte d'accès à la pompe et des serviettes sur le sol devant la laveuse pour protéger le sol. Il est normal de recueillir environ une tasse d'eau lorsque le filtre est retiré.

**REMARQUE :** S'il y a de l'eau dans la cuve pendant le nettoyage du filtre de la pompe, cette dernière sera évacuée et vous aurez peut-être besoin d'un plat ou d'un récipient plus grand.

3. Tirez sur le bec verseur
4. Tournez le filtre de la pompe dans le sens inverse des aiguilles d'une montre et retirez lentement le filtre, en contrôlant le débit de l'eau évacuée.

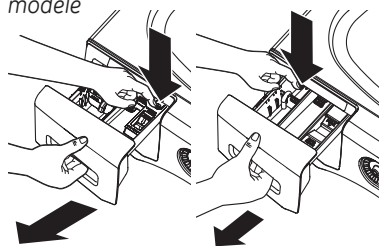


5. Nettoyez les débris du filtre.
6. Remettez le filtre en place et tournez dans le sens des aiguilles d'une montre. Serrez fermement.
7. Relevez le bec verseur
8. Fermez la porte d'accès en accrochant d'abord les languettes inférieures, puis en tournant la porte d'accès pour la fermer.

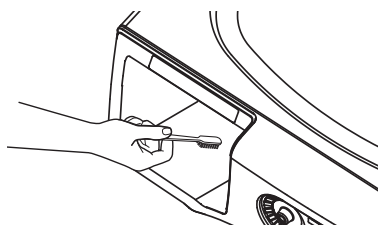
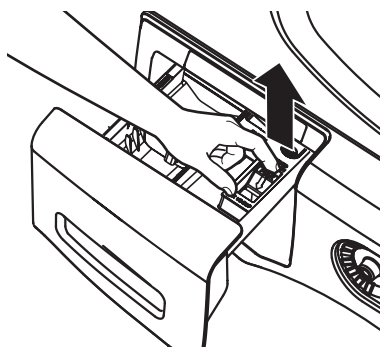


## Entretien et nettoyage.

Onglet à droite ou à gauche selon le modèle



L'onglet de blocage est visible uniquement après que le tiroir est ouvert



### Emplacement du tiroir distributeur

Le détergent et l'adoucisseur peuvent s'amasser dans le tiroir distributeur. Il faut enlever ces résidus une ou deux fois par mois.

- Enlevez le tiroir en le tirant jusqu'à ce qu'il s'arrête. Ensuite, passez la main dans le coin gauche ou droit (selon le modèle) de la cavité du tiroir et appuyez fermement sur l'onglet de blocage en tirant le tiroir.
- Enlevez les cases des compartiments de javellisant et d'assouplisseur et la case de détergent. Rincez les cases et le tiroir à l'eau très chaude afin d'enlever toute trace de produits de lessive.
- Pour nettoyer l'ouverture du tiroir, utilisez une petite brosse pour l'intérieur. Enlevez tout résidu en haut et en bas de l'intérieur.
- Remettez les étiquettes dans leur bon compartiment. Remettez en place le tiroir de distribution.
- Pour réduire l'accumulation dans le tiroir de distribution :

Utilisez seulement  
un détergent à  
haute efficacité HE.



### Joint d'étanchéité de la porte

Ouvrez la porte de la laveuse. À l'aide de vos deux mains, appuyez sur le joint de la porte. Enlevez tout corps étranger pris à l'intérieur du joint. Assurez-vous qu'il n'y a rien qui bloque les trous derrière le joint.

En maintenant vers le bas le joint de la porte, inspectez l'intérieur du joint en le

tirant vers le bas avec les doigts. Enlevez tout corps étranger pris à l'intérieur du joint. Assurez-vous qu'il n'y a rien qui bloque les trous derrière le joint.

Lorsque vous avez fini le nettoyage du joint de la porte, enlevez vos mains et le joint reviendra en position de fonctionnement.

### Vacances prolongées

Assurez-vous que l'alimentation en eau soit fermée aux robinets. Videz toute l'eau des conduites si la température peut être plus froide que le point de congélation.

### Déménagement et entreposage

Demandez au technicien d'entretien de vider l'eau de la pompe de vidange et des conduites. N'entrez pas la laveuse où elle serait exposée aux intempéries. Lorsque vous déménagez la laveuse, le panier devrait rester stationnaire au moyen des boulons de transport enlevés durant l'installation. Voir les instructions d'installation dans ce guide. Si ces pièces ne sont pas disponibles, vous pouvez les commander en visitant notre site Web à [electromenagersge.ca](http://electromenagersge.ca) ou en appelant au 800.561.3344.

# Instructions d'installation

# Laveuse

Des questions? Appelez le 1.800.561.3344 ou Visitez notre site Web à l'adresse : [www.electromenagersge.ca](http://www.electromenagersge.ca)

**!** Ceci est un symbole d'alerte de sécurité. Ce symbole prévient d'un risque mortel ou de blessures encouru par vous et d'autres personnes. Tous les messages de sécurité s'inscriront à la suite du symbole d'alerte et du mot « DANGER », « AVERTISSEMENT » ou « MISE EN GARDE ». Ces mots sont associés aux définitions suivantes :

**! DANGER** Indique une situation dangereuse qui, si elle n'est pas évitée, **causera** des blessures sévères, voire la mort.

**! AVERTISSEMENT** Indique une situation dangereuse qui, si elle n'est pas évitée, **peut** causer des blessures sévères, voire la mort.

**! MISE EN GARDE** Indique une situation dangereuse qui, si elle n'est pas évitée, **peut** causer des blessures mineures ou modérément graves.

## AVANT DE COMMENCER

Lisez ces instructions entièrement et soigneusement.

- **IMPORTANT** – Conservez ces instructions pour l'inspecteur local.
- **IMPORTANT** – Observez tous les codes et les ordonnances en vigueur.
- **Note à l'installateur** – Assurez-vous de laisser ces instructions au consommateur.
- **Note au consommateur** – Conservez ces instructions à titre de référence.
- **Niveau de compétences** – L'installation de cet appareil électroménager nécessite des compétences mécaniques et électriques de base.
- **Temps d'installation** – 1-3 heures
- L'installateur est responsable de bien installer cet appareil.
- Toute panne de produit due à une mauvaise installation n'est pas couverte par la garantie.

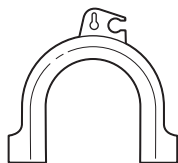
## PIÈCES FOURNIES



Attache de Câble



Crépines (2) pour Boyau d'admission



Guide de Boyau

## OUTILS REQUIS

- Clé ajustable ou douille de 9/16 po à cliquet
- Clé ajustable ou clé ouverte de 9/16 po
- Pince multiprise ordinaire
- Niveau à bulle

## PIÈCES REQUISES (À obtenir localement)

- Flexibles d'eau (2)



## TROUSSE DE SUPPORTS DE SUPERPOSITION

Une trousse de supports de superposition est offerte à un prix additionnel. Il peut être commandé au Canada en visitant notre site Web à [ElectromenagersGE.ca](http://ElectromenagersGE.ca) ou en appelant 800.661.1616. Commandez la trousse no WE25X10018 or GEFLSTACK.

## PIEDESTAL EN OPTION

Un piédestal est offert moyennant des frais supplémentaires. Veuillez contacter votre distributeur local de produits GE. Ce produit ne doit être utilisé qu'avec le piédestal no SBSC137HXX, SBSD137HXX et SBSD227FXX. Observez les instructions de montage du piédestal.

# Instructions d'installation

## EMPLACEMENT DE VOTRE LAVEUSE

### N'installez pas la laveuse :

1. Dans un endroit exposé à l'égouttement d'eau ou aux intempéries à l'extérieur. La température ambiante ne doit jamais inférieure à 15,6 °C (60 °F) pour le bon fonctionnement de la laveuse.
2. Dans un endroit où elle sera en contact avec des rideaux ou des tentures.
3. Sur du tapis. Le plancher **DOIT** être une surface dure et niveau avec une pente maximum de 1,27 cm/30 cm (0.5 po/pi). Pour être sûr que la laveuse ne vibre pas ni ne bouge, vous pourriez avoir à renforcer le plancher.

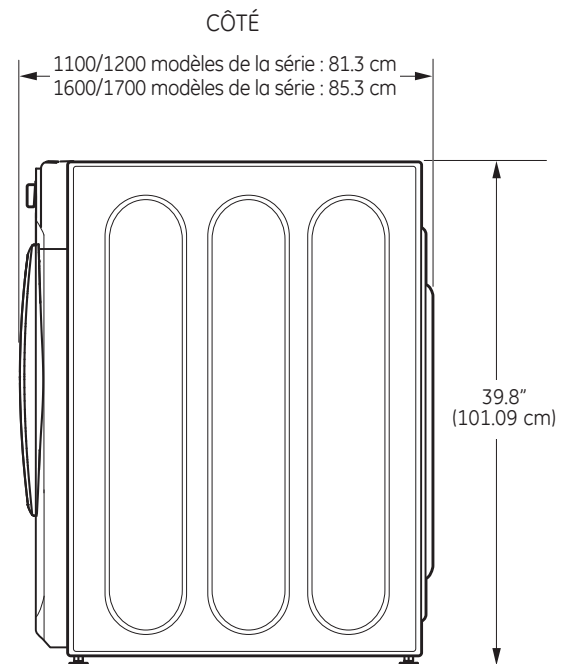
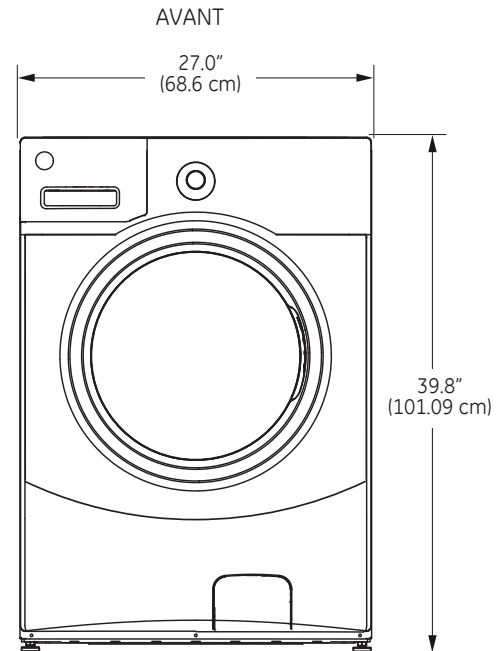
**REMARQUE :** Si le plancher est en mauvais état, utilisez un contreplaqué imprégné solidement fixé au couvre-plancher existant.

### IMPORTANT:

### Dégagements minimums d'installation

- Lorsqu'elle est installée dans une alcôve : côtés, arrière, dessus = 0 cm (0 po)
- Lorsqu'elle est installée dans un placard : côtés, arrière dessus = 0 cm (0 po), avant = 2,54 cm (1 po)
- Des ouvertures d'aération de la porte du placard sont requises : 2 persiennes chacune de 387 cm<sup>2</sup> (60 po<sup>2</sup>) située à 7,6 cm (3 po) du dessus au pied de la porte

## DIMENSIONS BRUTES



REMARQUE : Avec piédestal, 133,6 cm (52,6 po)  
Superposée 213,4 cm (84 po)

# Instructions d'installation

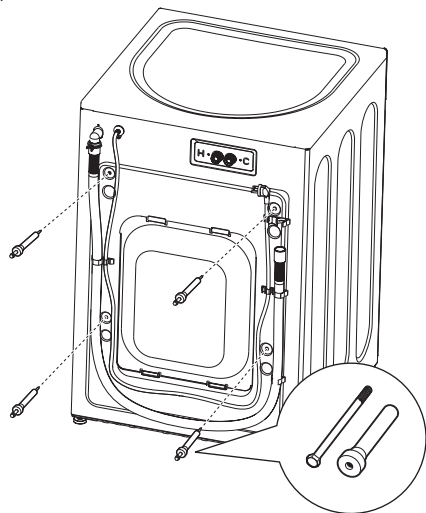
## DÉBALLAGE DE LA LAVEUSE

**⚠ AVERTISSEMENT:** Recyclez ou détruisez la boîte et les sacs de plastique après avoir déballé la laveuse. Gardez ces matériaux hors de la portée des enfants. Les enfants pourraient les utiliser pour jouer. Les boîtes couvertes de tapis, de couvre-lits ou de pellicules de plastique peuvent devenir des pièces hermétiques et causer l'asphyxie.

1. Coupez et enlevez les courroies d'expédition du haut et du bas.
2. Pendant qu'elle est dans la boîte, couchez doucement la laveuse sur le côté. **NE COUCHEZ PAS** la laveuse sur l'avant ou l'arrière.
3. Dépliez les rabats du bas — enlevez tout l'emballage de la base, y compris le carton, la base en mousse de polystyrène et les blocs de soutien en polystyrène de la cuve (insérés au centre de la base)

**REMARQUE :** Si vous installez un piédestal, suivez les instructions d'installation qui accompagnent le piédestal

4. Ranenez doucement la laveuse en position debout et enlevez le carton.
5. Déplacez doucement la laveuse en dedans de 1,22 m (4 pi) de l'endroit où elle sera installée.



6. Enlevez ce qui suit de l'arrière de la laveuse :
  - 4 boulons
  - 4 cales d'espacements en plastique (y compris les œillets en caoutchouc)
  - 4 attaches de câble d'alimentation

**REMARQUE :** Si vous oubliez d'enlever les attaches de transport, cela peut rendre la laveuse gravement déséquilibrée. Gardez les boulons pour utilisation future.

## DÉBALLAGE DE LA LAVEUSE (suite)

**REMARQUE :** Si vous souhaitez transporter la laveuse à une date ultérieure, vous devrez réinstaller la quincaillerie des supports de transport afin de prévenir les dommages. Gardez la quincaillerie dans le sac de plastique fourni.

**Si vous égarez vos boulons de transport, vous pouvez en acheter d'autres à un coût additionnel. Vous pouvez les commander au Canada en appelant le 800.661.1616. Commandez la trousse no WH49X10039.**

# Instructions d'installation

## EXIGENCES ÉLECTRIQUES

### ⚠ AVERTISSEMENT - Risque d'électrocution

Brancher à une prise de courant à 3 broches mise à la terre.

**NE PAS** retirer la broche de contact de mise à la terre.

**N'UTILISEZ** pas de rallonge électrique.

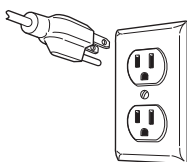
**N'UTILISEZ** pas d'adaptateur de prise.

Le non-respect de ces instructions pourrait entraîner un décès ou un choc électrique.

**CIRCUIT** - Individuel, correctement polarisé et mis à la terre, disjoncteur ou fusible temporisé de 15 ou 20 ampères.

**ALIMENTATION ÉLECTRIQUE** - 2 fils plus la mise à la terre, 120 volts, monophasé, 60 Hz, courant alternatif.

**PRISE ÉLECTRIQUE** - Prise à 3 voies correctement mise à la terre située de façon à ce que le cordon soit accessible lorsque la laveuse est installée dans sa position définitive. Si la prise n'est qu'à 2 voies, il est de la responsabilité du propriétaire de demander à un électricien agréé de la remplacer par une prise à 3 voies correctement mise à la terre.



La laveuse doit être correctement mise à la terre conformément aux codes locaux de l'électricité, ou en l'absence de codes locaux, conformément à la dernière édition du NATIONAL ELECTRICAL CODE, ANSI/NFPA NO. 70. Demandez à un électricien agréé de vérifier la connexion si vous n'êtes pas certain que la laveuse est correctement mise à la terre.

## EXIGENCES QUANT À L'ALIMENTATION EN EAU

Des robinets d'eau chaude et d'eau froide DOIVENT être installés en dedans de 107 cm (42 po) de L'entrée d'eau de votre laveuse. Les robinets DOIVENT être du type boyau d'arrosage pour connecter les tuyaux d'entrée d'eau. La pression de l'eau DOIT être entre 10 et 120 lb/po<sup>2</sup>. Votre service d'eau peut vous conseiller sur votre pression d'eau. La température de l'eau chaude devrait être réglée entre 48 et 60 °C (120 à 140 °F).

## INSTRUCTIONS DE MISE À LA TERRE

Cet appareil doit être mis à la terre. Dans l'éventualité d'un mal fonctionnement ou d'une panne, la mise à la terre réduit le risque de choc électrique en procurant un circuit de moindre résistance au courant électrique. Cet appareil comporte un cordon doté d'un conducteur de mise à la terre de l'appareillage et d'une fiche de mise à la terre. La fiche doit être branchée dans une prise compatible correctement installée et mise à la terre conformément à tous les codes et règlements en vigueur.

**⚠ AVERTISSEMENT** Une connexion incorrecte du conducteur de mise à la terre de l'appareillage peut poser un risque de choc électrique. Consultez un électricien ou réparateur qualifié si vous doutez que l'appareil soit correctement mis à la terre. **NE** modifiez **PAS** la fiche du cordon d'alimentation. Si elle ne s'insère pas dans la prise, demandez à un électricien agréé de poser une prise appropriée.

Si les codes locaux l'exigent, un fil de terre extérieur en cuivre de calibre 18 ou supérieur (non fourni) peut être ajouté. Fixer à l'enceinte de la laveuse à l'aide d'une vis à tôle #8-18 x ½ po (dans toute bonne quincaillerie) à l'arrière de la laveuse, comme illustré.

### Installation en maison mobile :

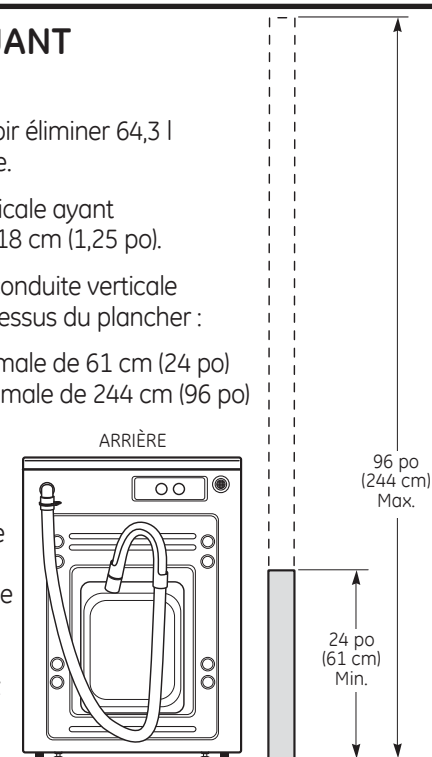
L'installation doit satisfaire les normes suivantes : Standard for Mobile Homes, ANSI A119.1 et National Mobile Home Construction and Safety Standards Act of 1974 (PL93-383).

## EXIGENCES QUANT AUX ÉGOUTS

1. L'égout doit pouvoir éliminer 64,3 l (17 gal) par minute.
2. Une conduite verticale ayant un diamètre de 3,18 cm (1,25 po).
3. La hauteur de la conduite verticale devrait avoir au-dessus du plancher :  
Une hauteur minimale de 61 cm (24 po)  
Une hauteur maximale de 244 cm (96 po)

### REMARQUE :

La conduite de vidange attachée à la laveuse peut atteindre une conduite verticale de 147 cm (58 po). Pour une conduite plus haute contactez un distributeur de pièces certifié.



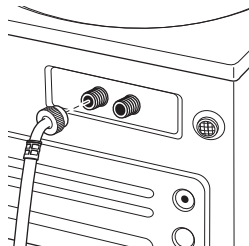


# Instructions d'installation

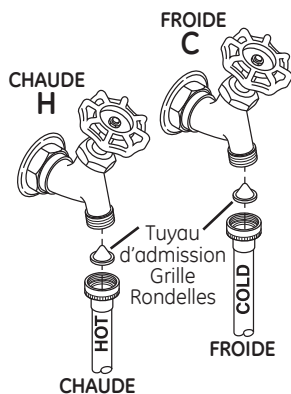
## INSTALLATION DE LA LAVEUSE

1. Faites couler de l'eau des robinets d'eau chaude et d'eau froide pour vider les tuyaux d'eau et enlever les particules qui peuvent boucher les tuyaux d'admission et les crépines des robinets.
2. Procurez-vous les tuyaux d'admission localement.

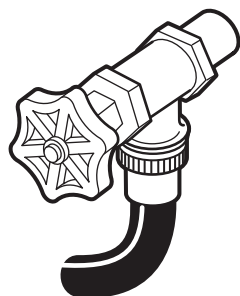
3. Assurez-vous qu'il y a une rondelle de caoutchouc dans les tuyaux d'eau. Réinstallez les rondelles de caoutchouc dans le raccord du tuyau s'il est tombé lors du transport. Connectez doucement le tuyau d'admission à la sortie extérieure « H » (Chaude) de la soupape d'eau. Serrez à la main, puis serrez un autre  $\frac{2}{3}$  de tour avec les pinces. Connectez soigneusement l'autre boyau d'admission à la sortie extérieure « C » (Froide) de la soupape. Serrez à la main, puis serrez un autre  $\frac{2}{3}$  de tour avec les pinces. **Ne faussez pas le filetage et ne serrez pas trop ces connexions.**



4. Installer les rondelles à grille en les insérant dans les bouts libres des tuyaux avec la partie protubérante face au robinet. C (F) H (C) Tuyau d'admission Grille Rondelles.



5. Connectez les bouts des tuyaux d'admission aux robinets d'eau CHAUDE et d'eau FROIDE en serrant solidement à la main, puis serrez un autre  $\frac{2}{3}$  de tour avec les pinces. Ouvrez les robinets et vérifiez s'il y a des fuites.

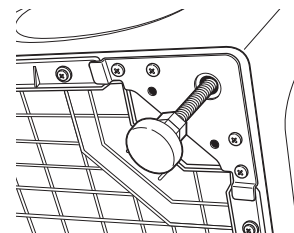


6. Déplacez doucement la laveuse à sa position finale. Balancez doucement la laveuse en position en vous assurant que les tuyaux d'admission ne s'entortillent pas. Il est important de ne pas endommager les pattes de nivellement lorsque vous déplacez votre laveuse à sa position finale. Les pattes endommagées peuvent augmenter la vibration de la laveuse. Il peut être utile de vaporiser du nettoyant à vitres sur le plancher afin de vous aider à déplacer votre laveuse dans sa position finale. **REMARQUE :** Pour réduire la vibration, assurez-vous que les quatre pattes de nivellement en caoutchouc touchent fermement le sol. Poussez et tirez sur l'arrière droite et ensuite sur l'arrière gauche de votre laveuse.

**REMARQUE :** N'utilisez pas le tiroir distributeur ou la porte pour lever la laveuse.

**REMARQUE :** Si vous l'installez dans un plateau de vidange, vous pouvez utiliser un 2 X 4 de 61 cm (24 po) pour servir de levier pour déplacer la laveuse à sa place.

7. Avec la laveuse dans sa position finale, mettez un niveau sur le dessus de la laveuse (si la laveuse est installée sous un comptoir, la laveuse ne devrait pas pouvoir se balancer). Ajustez de bas en haut les pattes de nivellement avant pour vous assurer que la laveuse repose solidement. Tournez l'écrou de blocage de chaque patte vers la base de la laveuse et serrez-les avec une clé.



**REMARQUE :** Gardez l'extension des pattes à un minimum pour éviter une vibration excessive. Plus les pattes sont sorties, plus la laveuse vibre.

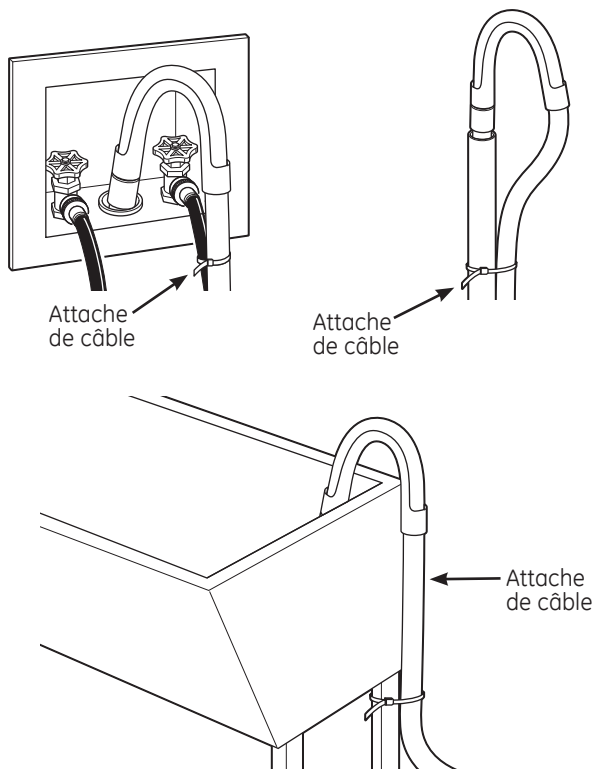
Si le sol n'est pas de niveau ou qu'il est endommagé, vous pourriez avoir à allonger les pattes de nivellement arrière.

# Instructions d'Installation

## INSTALLATION DE LA LAVEUSE (suite)

8. Fixez le guide de bout de tuyau en U au bout du tuyau de vidange. Placez les tuyaux dans une cuve à lessive ou la conduite verticale et fixez-le avec les attaches de câbles fournies dans l'emballage.

**REMARQUE :** Si vous mettez le tuyau de vidange trop bas, le tuyau d'égout peut causer un effet de siphon. On ne peut pas mettre plus que 17,8 cm (7 po) de tuyau dans le tuyau d'égout. Il doit y avoir un espace d'air autour du tuyau de vidange. Un ajustement trop serré peut également produire un effet de siphon. Attache de câble Attache de câble.



9. Branchez le cordon d'alimentation dans une prise avec mise à la terre.

**REMARQUE :** Vérifiez que le courant est coupé au disjoncteur ou à la boîte de fusibles avant de brancher le cordon d'alimentation dans la prise.

10. Mettez le courant au disjoncteur/à la boîte de fusibles.

11. Lisez le reste de ce guide de l'utilisateur. Il contient de l'information précieuse et utile qui vous fera économiser temps et argent.

12. **Avant de partir la laveuse, vérifiez pour vous assurer que :**

- Le courant principal est branché.
- La laveuse est branchée.
- Les robinets d'eau sont ouverts.
- L'appareil est de niveau et que les quatre pattes de nivellement sont fermement sur le sol.
- La quincaillerie de transport est enlevée et conservée.
- Le tuyau de vidange est correctement fixé.
- Il n'y a pas de fuites aux robinets, aux tuyaux de vidange ou à la laveuse.

13. Faites fonctionner la laveuse pour un cycle complet. Vérifiez qu'il n'y a pas de fuites et qu'elle fonctionne correctement.

14. Si votre laveuse ne fonctionne pas, veuillez vérifier la section *Avant d'appeler pour une réparation*.

15. Placez ces instructions à un endroit près de la laveuse pour référence future.

## PIÈCES DE RECHANGE

Si des pièces de rechange sont nécessaires pour votre laveuse, vous pouvez les commander au Canada en appelant au 800.661.1616.

## Vérité ou mythe?

Voici une liste de vérités et de mythes destinée à mieux vous faire comprendre le fonctionnement de votre laveuse à chargement frontal		
Vérité ou mythe?	Réponse	Explication
Il n'y a pas suffisamment d'eau pour laver mes vêtements correctement.	MYTHE	Le remplissage des laveuses à chargement frontal est moins volumineux, de sorte que beaucoup moins d'eau est nécessaire pour laver et rincer chaque brassée à fond. À l'exception de certains cycles tels que <b>Handwash</b> (Lavage à la main) et <b>Basket Clean</b> ( <i>Nettoyage de cuve</i> ) qui utilisent plus d'eau, vous ne verrez pas de ligne d'eau apparente sur la vitre de la porte.
Ma laveuse à chargement frontal ajoute du temps ou fonctionne plus longtemps que la durée affichée initialement.	VRAI	À l'occasion, la laveuse peut avoir besoin de prolonger la durée d'un cycle. Cela est principalement causé par une redistribution de charge automatique afin de mieux équilibrer la charge et réduire les vibrations. Il est donc tout à fait normal qu'un cycle se prolonge pour rééquilibrer une charge. Parmi les causes fréquentes de déséquilibre des charges et de prolongation de cycles, mentionnons l'obstruction du filtre de pompe (consultez la section <b>Entretien et nettoyage</b> ), l'inclinaison de la laveuse par rapport à l'horizontale ou le dépassement de la charge maximale recommandée.
Je devrais apercevoir de la mousse de savon durant un cycle de lavage de la laveuse à chargement frontal.	MYTHE	Les détergents haute efficacité, les seuls que vous devez utiliser dans votre laveuse à chargement frontal GE, ont été formulés pour nettoyer le linge efficacement sans causer d'accumulation de résidus savonneux. Si vous ajoutez du détergent au point où de la mousse de savon est visible, vous dépassez probablement la dose requise et nuisez ainsi au rendement de la laveuse. Gardez à l'esprit que la quantité de mousse n'est pas proportionnelle à l'efficacité de nettoyage. Observez les directives du fabricant du détergent haute efficacité. 
Il est préférable de laver des brassées pleines, et des tissus similaires ensemble.	VRAI	Lavez plusieurs vêtements similaires en même temps pour de meilleurs résultats. Laver des articles un seul à la fois peut entraîner des conditions de déséquilibre.
Il faut maintenir la laveuse de niveau pour obtenir un fonctionnement adéquat et réduire les vibrations.	VRAI	Si la laveuse n'est pas de niveau, ajustez les pieds de nivellement de façon qu'ils reposent fermement contre le sol, contre-écrous bien serrés. Cette précaution est particulièrement importante si la laveuse est installée sur un piédestal. La procédure de nivellement des pieds de la laveuse est la même pour le piédestal.
Il est impossible de trop charger une laveuse à chargement frontal.	MYTHE	Même si la capacité d'une laveuse à chargement frontal est supérieure à celle de la laveuse à chargement vertical, il faut veiller à ne pas surcharger le panier de lavage. Consultez la section <b>Chargement de la laveuse</b> pour connaître les charges maximales recommandées. Une surcharge de la laveuse peut mener à une réduction de l'efficacité du lavage et au coincement de vêtements entre la porte vitrée et le joint d'étanchéité, et ainsi à la détérioration du joint ou des vêtements.
S'ils ne sont pas nettoyés régulièrement, le panier de lavage et le joint d'étanchéité ne conserveront pas leur odeur de fraîcheur.	VRAI	Cela est vrai pour tous les modèles de laveuses, non seulement pour celles à chargement frontal. Lancez régulièrement un cycle <b>Basket Clean</b> ( <i>Nettoyage de cuve</i> ) et nettoyez le joint d'étanchéité en caoutchouc de la porte. Lorsque la laveuse n'est pas utilisée, vous pouvez laisser la porte entrouverte pour que de l'air sec pénètre à l'intérieur. Une surveillance étroite est requise lorsque cet appareil est utilisé par des enfants ou si ceux-ci se trouvent à proximité.
Les laveuses à chargement frontal sont équipées d'un « filtre de pompe » qui doit être nettoyé régulièrement.	VRAI	La conception de la laveuse à chargement frontal fait qu'il est parfois possible que de petites particules soient introduites dans la pompe d'évacuation. La laveuse est munie d'un filtre qui capture les débris perdus afin de ne pas endommager la pompe d'évacuation. Pour retirer les débris perdus, nettoyez le filtre de la pompe (consultez la section <b>Entretien et nettoyage</b> ). Des indices peuvent signaler une obstruction de la pompe : une prolongation inhabituelle de la durée du cycle et du drainage, des vêtements mouillés à la fin du cycle, des cycles incomplets ou encore une pause de la laveuse au milieu d'un cycle.
Je ne peux pas ajouter d'articles à un cycle de lavage une fois qu'il a démarré.	MYTHE	Pour ajouter des articles une fois que la laveuse a démarré, appuyez sur le bouton <b>Start/Pause</b> (Mise en marche/Pause) - <b>Add a Garment</b> (Ajouter un vêtement) jusqu'à ce que la porte se déverrouille. La pompe d'évacuation peut fonctionner brièvement avant le déverrouillage de la porte. Ne forcez pas l'ouverture de la porte lorsqu'elle est verrouillée. Une fois la porte déverrouillée, ouvrez-la délicatement. Ajouter les articles, fermez la porte puis appuyez sur <b>Start/Pause</b> (Mise en marche/Pause) pour redémarrer.
Des articles laissés dans les poches peuvent endommager le joint d'étanchéité	VRAI	Cela est vrai pour tous les modèles de laveuses à chargement frontal. Retirez tous les articles libres de vos vêtements.

# Avant d'appeler un réparateur...



Conseils de dépannage—Économisez du temps et de l'argent!  
Consultez d'abord les tableaux qui suivent et vous pourrez peut-être éviter de faire appel à un réparateur.

Problème	Causes possibles	Correctifs
<b>Pas de vidange</b> <b>Pas d'essorage</b> <b>Pas de culbutage</b>	<b>La charge est déséquilibrée</b>	Redistribuez les vêtements et faites un drainage et essorage ou un rinçage et essorage. Augmentez la taille de la charge si vous lavez une petite charge contenant des articles légers et lourds.
	<b>La pompe est colmatée</b>	Reportez-vous page 11 pour le nettoyage du filtre de la pompe.
	<b>Le tuyau de vidange est tortillé ou mal connecté</b>	Redressez le tuyau de vidange et assurez-vous que la laveuse n'est pas dessus.
	<b>Le siphon d'évacuation de la maison peut être bouché</b>	Vérifiez la plomberie de la maison. Vous pouvez avoir besoin d'appeler un plombier.
	<b>Siphonage du tuyau de vidange; tuyau de vidange enfoncé trop bas dans le drain.</b>	Assurez-vous qu'il y a un espace d'air entre le tuyau et le drain.
<b>Fuite d'eau</b>	<b>Le joint de la porte est endommagé</b>	Vérifiez si le joint est bien en place et s'il n'est pas déchiré. Les objets oubliés dans les poches peuvent endommager la laveuse (clous, vis, stylos, crayons). L'eau peut dégoutter de la porte lorsque celle-ci est ouverte. Il s'agit d'un fonctionnement normal. Essuyez soigneusement le joint de porte en caoutchouc. Parfois de la saleté ou des vêtements coincés dans le joint peuvent causer une petite fuite.
	<b>Vérifiez la présence d'eau à la partie arrière gauche de la laveuse</b>	Si cette partie est mouillée, cela indique la présence d'un surplus de mousse savonneuse. Utilisez moins de détergent.
	<b>Les tuyaux d'entrée de l'eau ou le tuyau de vidange ne sont pas bien branchés</b>	Assurez-vous que les tuyaux soient bien branchés au niveau des robinets et la laveuse et assurez-vous que le tuyau de vidange soit bien inséré et fixé à l'installation de vidange.
	<b>La vidange de la maison est peut-être bloquée</b>	Vérifiez la plomberie de la maison. Il est possible que vous ayez besoin d'appeler un plombier.
	<b>Distributeur colmaté</b>	Le savon en poudre peut causer des colmatages à l'intérieur du distributeur et causer une fuite d'eau à l'avant du distributeur. Retirez le tiroir et nettoyez le tiroir et l'intérieur de la boîte de distributeur. Reportez-vous à la section <i>Nettoyage de la laveuse</i> .
	<b>Utilisation incorrecte de détergent</b>	Utilisez du détergent HE uniquement et en bonne quantité.
	<b>Compartiment de distributeur fissuré</b>	Dans le cas de nouvelle installation, recherchez les fissures sur l'intérieur du distributeur.
	<b>Vêtements trop mouillés</b>	Redistribuez les vêtements et faites un drainage et essorage ou un rinçage et essorage. Augmentez la taille de la charge si vous lavez une petite charge contenant des articles légers et lourds. La machine ralentit la vitesse d'essorage à 410 tr/min si elle a du mal à équilibrer la charge. Cette vitesse est normale.
<b>Temps de contrôle incorrect ou variations</b>	<b>La pompe est colmatée</b>	Reportez-vous page 11 pour le nettoyage du filtre de la pompe.
	<b>Surcharge</b>	Le poids à sec de la charge doit être inférieur à 16 lbs.
	<b>Le tuyau de vidange est tortillé ou mal connecté</b>	Redressez le tuyau de vidange et assurez-vous que la laveuse n'est pas dessus.
	<b>Le siphon d'évacuation de la maison peut être bouché</b>	Vérifiez la plomberie de la maison. Vous pouvez avoir besoin d'appeler un plombier.
	<b>Siphonage du tuyau de vidange; tuyau de vidange enfoncé trop bas dans le drain.</b>	Assurez-vous qu'il y a un espace d'air entre le tuyau et le drain.
	<b>C'est normal.</b>	Pendant l'essorage, la laveuse peut avoir besoin de rééquilibrer la charge parfois pour réduire les vibrations. Lorsque cela se produit, le temps estimé est augmenté, ce qui cause une augmentation du temps qui reste.
	<b>Pas assez d'eau</b>	<b>C'est normal.</b> Les laveuses horizontales ne nécessitent pas que la cuve se remplisse d'eau contrairement aux laveuses à charge par le haut

Problème	Causes possibles	Correctifs
<i>Cycle incomplet ou minuterie arrêtée</i>	Redistribution automatique de la charge	La minuterie ajoute 3 minutes au cycle pour chaque rééquilibrage. 11 ou 15 rééquilibrages peuvent être effectués. C'est un fonctionnement normal. Ne faites rien, la machine terminera le cycle de lavage.
	La pompe est colmatée	Reportez-vous page 11 pour le nettoyage du filtre de la pompe.
	Le tuyau de vidange est tortillé ou mal connecté	Redressez le tuyau de vidange et assurez-vous que la laveuse n'est pas dessus.
	Le siphon d'évacuation de la maison peut être bouché	Vérifiez la plomberie de la maison. Vous pouvez avoir besoin d'appeler un plombier.
	Siphonage du tuyau de vidange; tuyau de vidange enfoncé trop bas dans le drain.	Assurez-vous qu'il y a un espace d'air entre le tuyau et le drain.
<i>Secousses, vibrations ou bruits forts ou inhabituels</i>	Déplacement d'armoire	La laveuse est conçue pour bouger de 6 mm pour réduire les forces transmises au sol. Ce mouvement est normal.
	Tous les pieds de mise à niveau en caoutchouc ne touchent pas fermement le sol	Poussez tirez sur l'arrière droit puis sur l'arrière gauche de la laveuse pour vérifier qu'elle est de niveau. Si elle ne l'est pas, réglez les pieds de mise à niveau en caoutchouc pour qu'ils touchent fermement le sol et qu'ils se bloquent en place. L'installateur doit corriger ce problème.
	Charge déséquilibrée	Mettez l'appareil en pause, ouvrez la porte et redistribuez manuellement la charge. Pour inspecter la machine, exécutez un rinçage et un essorage à vide. Si tout est normal, le déséquilibre était causé par la charge.
	Pompe colmatée	Reportez-vous page 11 pour le nettoyage du filtre de la pompe.
<i>Pas de puissance/ la laveuse ne fonctionne pas ou semble hors tension</i>	La laveuse est débranchée	Assurez-vous que le cordon est bien branché dans une prise sous tension.
	L'arrivée d'eau est coupée	Ouvrez à fond les robinets d'eau chaude et d'eau froide
	Le disjoncteur est déclenché/le fusible a sauté	Inspectez les disjoncteurs/fusibles de la maison. Remplacez les fusibles ou réarmez le disjoncteur. La laveuse doit présenter une prise distincte.
	Vérifications automatiques du système	La première fois que la laveuse est branchée, des vérifications automatiques se produisent. Il peut être nécessaire d'attendre 20 secondes avant de pouvoir utiliser la laveuse. C'est un fonctionnement normal.
<i>Accrocs, trous, déchirures, ou usure excessive</i>	Surcharge	Ne dépassez pas les tailles de charge maximum recommandées. Reportez-vous aux tailles de charge maximum recommandées page 10.
	Stylos, crayons, clous, vis ou autres objets égarés dans les poches	Retirez les objets égarés dans les poches.
	Aiguilles, boutons pressions, agrafes, boutons à bord vif, boucles de ceinture, fermetures à glissière et objets à bord vif égarés dans les poches	Fermez les boutons pressions, agrafes, boutons et fermetures à glissière
<i>La laveuse fait une pause ou doit être redémarrée ou la porte de la laveuse est verrouillée et ne s'ouvre pas</i>	Pompe colmatée	Reportez-vous page 11 pour le nettoyage du filtre de la pompe.
<i>La porte se débloque ou la machine ne fonctionne pas lorsque vous appuyez sur Start</i>	C'est normal.	Les laveuses à chargement frontal démarrent différemment de celles à chargement par le haut, et il faut 30 secondes pour vérifier le système. La porte se verrouille et se déverrouille
	Fonctionnement incorrect	Ouvrez et fermez simplement la porte fermement, puis appuyez sur <b>Start (Marche)</b> .
<i>Taches colorées</i>	Utilisation incorrecte d'assouplisseur	Inspectez le sachet d'assouplisseur de tissu pour des instructions et suivez les directives d'utilisation du distributeur.
	Transfert de colorant	Séparez le blanc et les couleurs claires des couleurs foncées.
		Sortez rapidement le linge de la laveuse.
<i>La température de l'eau est incorrecte</i>	L'arrivée d'eau est mal connectée	Assurez-vous que les tuyaux sont connectés aux bons robinets.
	Le chauffe-eau de la maison est mal réglé	Assurez-vous que le chauffe-eau distribue de l'eau entre 48 et 60°C.

## Avant d'appeler un réparateur...

Problème	Causes possibles	Correctifs
L'eau ne rentre pas dans la laveuse ou entre lentement	Vérifications automatiques du système	Une fois <b>Start</b> ( <i>Marche</i> ) appuyé, la laveuse fait plusieurs vérifications du système. L'eau coule 60 secondes après que <b>Start</b> ( <i>Marche</i> ) soit appuyé
	L'arrivée d'eau est coupée	Ouvrez à fond les robinets d'eau chaude et d'eau froide.
	Les tamis de vanne d'eau sont colmatés	Coupez l'arrivée d'eau et retirez les tuyaux de connexion d'eau en haut à l'arrière de la laveuse. Utilisez une brosse ou un cure-dent pour nettoyer les tamis dans la machine. Reconnectez les tuyaux et rouvrez l'arrivée d'eau.
	Les rondelles à grille de l'admission d'eau sont bloqués	Fermez l'eau et enlevez les tuyaux d'admission des robinets muraux. Utilisez une brosse ou un cure-dent pour nettoyer les rondelles à grille au bout des tuyaux. Reconnectez les tuyaux et ouvrez l'eau.
Froissement	Tri incorrect	Évitez de mélanger des articles lourds (comme des vêtements de travail) avec des articles légers (comme des chemisiers).
	Surcharge	Chargez la laveuse pour que les vêtements aient assez de place pour bouger librement.
	Cycle de lavage incorrect	Assortissez la sélection de cycle au type de tissu que vous lavez (surtout pour les charges à entretien facile).
	Lavage répété dans de l'eau trop chaude	Lavez dans l'eau froide ou chaude.
Vêtements grisâtres ou jaunâtres	Pas assez de détergent	Utilisez la bonne quantité de détergent.
	Détergent utilisé pas HE (haute efficacité)	Utilisez du détergent HE uniquement.
	Eau calcaire	Utilisez l'eau la plus chaude possible pour le tissu.
		Utilisez un conditionneur d'eau comme la marque Calgon ou installez un adoucisseur d'eau.
	L'eau n'est pas assez chaude	Assurez-vous que le chauffe-eau distribue de l'eau entre 48 et 60°C.
	Le détergent ne se dissout pas	Essayez un HE détergent liquide
Légère variation dans la couleur métallisée	C'est normal	À cause des propriétés métalliques de la peinture utilisée pour ce produit unique, de légères variations de couleur peuvent être visibles à cause de l'angle de vue et des conditions d'éclairage.
Odeur désagréable dans la laveuse	Laveuse inutilisée pendant longtemps, pas d'utilisation du détergent HE de la qualité recommandée ou utilisation d'une quantité excessive de détergent	Exécutez un cycle <b>Basket Clean</b> ( <i>Nettoyage de cuve</i> ).
		En cas d'odeur forte, vous pouvez avoir besoin d'exécuter le cycle
		Utilisez uniquement la quantité de détergent recommandée sur le conteneur de détergent.
		Utilisez uniquement du détergent HE (haute efficacité)
		Retirez toujours rapidement les vêtements humides de la laveuse après arrêt de la machine.
	Laissez la porte légèrement ouverte pour que l'eau sèche à l'air. Une surveillance étroite est requise pour tout appareil utilisé par des enfants ou à leur proximité. NE laissez pas les enfants jouer sur ou dans cet appareil ou tout autre.	
Fuite de détergent	Positionnement incorrect du contenant de détergent	Assurez-vous que le contenant de détergent est correctement positionné et placé. Ne mettez jamais de détergent au-dessus du trait max.
	C'est normal	Il est normal de voir le détergent fuir sur le joint de la porte environ 20 secondes après remplissage du distributeur.
Distribution incorrecte de l'assouplisseur ou de l'agent blanchissant	Distributeur colmaté	Nettoyez une fois par mois le tiroir distributeur pour retirer les dépôts de produits chimiques.
	Assouplisseur ou agent blanchissant au-dessus du trait max	Assurez-vous de mettre la bonne quantité d'assouplisseur ou d'agent blanchissant.
	Problème de bouchon d'assouplisseur ou d'agent blanchissant	Assurez-vous que les bouchons d'assouplisseur et d'agent blanchissant du distributeur sont positionnés ou ils ne fonctionneront pas.
Le tiroir distributeur ne distribue pas correctement	Sachet de détersif placé dans le tiroir distributeur	Les sachets de détersif ne doivent pas être utilisés dans le distributeur. Ils doivent être ajoutés directement dans le panier de lavage conformément aux directives du fabricant.
La pompe fonctionne alors que la laveuse n'est pas utilisée	Obstruction dans le drain de puisard	Ce phénomène est normal. Le puisard détecte un niveau d'eau indésirable causé probablement par un robinet ouvert. Fermez la vanne d'eau et vérifiez si elle reste bloquée.

## Garantie de laveuse GE.



Tout le service sous garantie est fourni par nos Centres de service de fabrique ou par un technicien autorisé. Pour le service, appelez le 1.800.561.3344.

Veillez fournir le numéro de série et le numéro de modèle lorsque vous appelez pour obtenir le service.

### Pour une période de : **Nous remplacerons :**

#### **Un an**

À partir de la date de l'achat original

**Toute pièce** de la laveuse qui tombe en panne à cause d'un vice de matériau ou de main-d'œuvre. Pendant cette **garantie limitée d'un an**, GE fournit également, **gratuitement**, tous les frais de main-d'œuvre et de services connexes pour remplacer la pièce défectueuse.

### Ce qui n'est pas couvert (au Canada) :

- Les frais de déplacements à votre maison pour vous apprendre à utiliser votre produit.
- Une mauvaise installation, livraison ou entretien.
- Une panne du produit si celui-ci est maltraité, mal utilisé ou utilisé à des fins autres que celles auxquelles il est destiné, ou utilisé commercialement.
- Le remplacement de fusibles de la maison ou la remise en marche d'un disjoncteur.
- Produits qui ne sont pas défectueux ou endommagés ou qui fonctionnent tel que décrit dans le Manuel d'utilisation et d'installation.
- Des dommages au produit causés par un accident, un incendie, une inondation ou une catastrophe naturelle.
- Tout dommage indirect ou consécutif causé par des pannes possibles de cet appareil électroménager.
- Défauts ou dommages causés par l'utilisation aux températures en-dessous de zéro C.
- Des dommages après la livraison.
- Le service s'il est impossible d'avoir accès au produit pour ce faire.

**EXCLUSION DE GARANTIES IMPLICITES – Votre seul et unique recours est la réparation du produit selon les dispositions de cette Garantie limitée. Toutes les garanties implicites, incluant les garanties de commercialité et d'adéquation à un usage spécifique, sont limitées à une année ou à la période la plus courte autorisée par la législation.**

Cette garantie est offerte à l'acheteur initial, ainsi qu'à tout propriétaire subséquent d'un produit acheté au Canada en vue d'une utilisation domestique au Canada. Le service à domicile en vertu de la garantie sera fourni dans les régions où il est disponible et où MC Commercial estime raisonnable de le fournir.

**Garant : MC Commercial, Burlington, ON, L7R 5B6**

## Soutien au consommateur.

---



### Site Web appareils électroménagers GE [www.electromenagersge.ca](http://www.electromenagersge.ca)

Vous avez une question ou vous avez besoin d'aide pour votre appareil électroménager? Contactez-nous par Internet au site [www.electromenagersge.ca](http://www.electromenagersge.ca) 24 heures par jour, tous les jours de l'année.



### Service de réparations

**1.800.561.3344**

Service de réparations GE est tout près de vous.  
Pour faire réparer votre électroménager GE, il suffit de nous téléphoner.



### Studio de conception réaliste

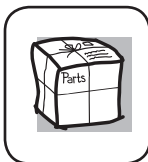
Sur demande, GE peut fournir une brochure sur l'aménagement d'une cuisine pour les personnes à mobilité réduite.

Écrivez : Directeur, Relations avec les consommateurs, Mabe Canada Inc.  
Bureau 310, 1 Factory Lane  
Moncton, N.B. E1C 9M3



### Prolongation de garantie

Veillez consulter votre annuaire local pour un fournisseur de garantie prolongée.



### Pièces et accessoires

Ceux qui désirent réparer eux-mêmes leurs électroménagers peuvent recevoir pièces et accessoires directement à la maison (cartes VISA, MasterCard et Discover acceptées).

**Les directives stipulées dans le présent manuel peuvent être effectuées par n'importe quel utilisateur. Les autres réparations doivent généralement être effectuées par un technicien qualifié. Soyez prudent, car une réparation inadéquate peut affecter le fonctionnement sécuritaire de l'appareil.**

Vous trouverez dans les pages jaunes de votre annuaire le numéro du Centre de service Mabe le plus proche. Autrement, appelez-nous au 1.800.661.1616.



### Contactez-nous

Si vous n'êtes pas satisfait du service après-vente dont vous avez bénéficié :

**Premièrement**, communiquez avec les gens qui ont réparé votre appareil.

**Ensuite**, si vous n'êtes toujours pas satisfait envoyez tous les détails-numéro de téléphone compris-au  
Directeur, Relations avec les consommateurs, Mabe Canada Inc.  
Bureau 310, 1 Factory Lane  
Moncton, N.B. E1C 9M3



### Inscrivez votre appareil électroménager [www.electromenagersge.ca](http://www.electromenagersge.ca)

**Inscrivez votre appareil électroménager en direct, aussitôt que possible.** Cela améliorera nos communications et notre service après-vente. Vous pouvez également nous envoyer par la poste le formulaire d'inscription joint à votre documentation.





# Lavadoras

**Instrucciones de seguridad** ..... 2, 3

**Instrucciones de funcionamiento**

Controls ..... 4-8

Funciones ..... 9, 10

Carga ..... 10

**Cuidado y limpieza** ..... 11, 12

**Instrucciones de instalación**

Preparación para la instalación

de la lavadora ..... 13

Ubicación de la lavadora ..... 14

Dimensiones aproximadas ..... 14

Desembalaje de la lavadora ..... 15

Requisitos eléctricos ..... 16

Instrucciones de conexión a tierra .... 16

Requisitos de suministro de agua .... 16

Requisitos de desagüe ..... 16

Instalación de la lavadora ..... 17, 18

Piezas de repuesto ..... 18

**Consejos para la solución de problemas** ..... 19-22

**Atención al cliente**

Garantía (EE.UU.) ..... 23

Servicio al consumidor ..... 24



Como socio de Energy Star®, GE ha confirmado que este producto cumple las directrices de Energy Star® relativas al rendimiento energético.

**Escriba aquí los números de modelo y serie:**

**N.º de modelo** \_\_\_\_\_

**N.º de serie** \_\_\_\_\_

Puede encontrarlos en una etiqueta situada en el costado de la lavadora.

**Manual del propietario e instalación**

GFWS1705

GFWS1700


GFWN1600


GFWN1300


GFWH1200


GFWN1100

# INFORMACIÓN DE SEGURIDAD IMPORTANTE. LEA TODAS LAS INSTRUCCIONES ANTES DE USAR.


 Éste es el símbolo de alerta de seguridad. El mismo alerta sobre potenciales riesgos que le pueden producir la muerte o lesiones tanto a usted como a otras personas. Todos los mensajes de seguridad estarán a continuación del símbolo de alerta de seguridad y con la palabra "PELIGRO", "ADVERTENCIA" o "PRECAUCIÓN". Estas palabras se definen como:

 **PELIGRO** Indica una situación de riesgo que, si no se evita, **producirá** la muerte o lesiones graves.

 **ADVERTENCIA** Indica una situación de riesgo que, si no se evita, **podría** producir la muerte o lesiones graves.

 **PRECAUCIÓN** Indica una situación de riesgo que, si no se evita, **podría** resultar en lesiones menores o moderadas.

## INSTRUCCIONES IMPORTANTES DE SEGURIDAD

 **ADVERTENCIA** Para reducir el riesgo de muerte, incendio, explosión, descargas eléctricas o lesiones sobre las personas al usar su electrodoméstico, siga las precauciones básicas, incluyendo lo siguiente

- Lea todas las instrucciones antes de usar este electrodoméstico.
- NO lave ni seque prendas que en forma previa hayan sido secadas, lavadas, mojadas o manchadas con gasolina, solventes de limpieza en seco, u otras sustancias inflamables o explosivas, ya que despiden vapores que se podrían encender o explotar.
- NO agregue gasolina, solventes de limpieza en seco, u otras sustancias inflamables o explosivas al agua de lavado. Estas sustancias despiden vapores que se podrían prender fuego o explotar.
- Bajo ciertas condiciones, se podrá producir gas de hidrógeno en un sistema de agua caliente que no fue usado por 2 semanas o más. EL GAS DE HIDRÓGENO ES UN EXPLOSIVO. Si el sistema de agua caliente no fue usado por dicho período, antes de usar una lavadora, abra todos los grifos de agua caliente y deje que corra agua de cada uno durante varios minutos. Esto liberará cualquier gas de hidrógeno acumulado. Debido a que el gas es inflamable, NO fume ni use una llama abierta durante este proceso.
- NO permita que los niños jueguen sobre o dentro de este electrodoméstico. Cuando el electrodoméstico se use cerca de niños, será necesario supervisarlos de cerca. Antes de dejar la lavadora fuera de servicio o de deshacerse de ésta, quite la puerta o la tapa. Si no se siguen estas instrucciones, se podrá producir la muerte o lesiones personales.
- NO introduzca las manos en el electrodoméstico si el tambor o agitador se encuentra en movimiento a fin de evitar enredos accidentales.
- NO instale ni guarde este electrodoméstico donde quede expuesto a los factores climáticos.
- NO manipule indebidamente los controles, reparar ni reemplazar cualquier parte del electrodoméstico o realizar cualquier otro trabajo técnico, a menos que esto sea específicamente recomendado en las instrucciones de mantenimiento del usuario o en instrucciones publicadas sobre reparaciones del usuario, que entienda y para las cuales posea las destrezas necesarias.
- NO intente usar este electrodoméstico si se encuentra dañado, funcionando mal, parcialmente desensamblado, o si tiene partes faltantes o rotas, incluyendo un cable o enchufe dañado.
- Desenchufe el electrodoméstico o apague el disyuntor antes de realizar el servicio técnico. Presionar el botón **Power** (*Encendido*) NO desconecta el encendido.
- Para acceder a las instrucciones de conexión a tierra, lea los "Requisitos Eléctricos" ubicados en las Instrucciones de Instalación.

## GUARDE ESTAS INSTRUCCIONES

 **ADVERTENCIA**  - **Riesgo de incendio**

Nunca coloque prendas en la lavadora que estén humedecidas con gasolina u otros fluidos inflamables.

Ninguna lavadora puede eliminar el aceite por completo.

No seque nada que alguna vez haya tenido algún tipo de aceite (incluyendo aceites de cocina).

Si no se cumple con esto, se podrá producir la muerte, una explosión o un incendio.

## INSTALACIÓN CORRECTA

La lavadora se debe instalar y colocar correctamente de acuerdo con las instrucciones de instalación, antes de utilizarla. Si no recibió la hoja con instrucciones de instalación, puede obtener una visitando **GEAppliances.com** o llamando al **800.GE.CARES** (800.432.2737).

- Asegúrese de que la manguera de agua caliente esté conectada a la válvula "H" (interna proyectada de color rojo) y que la manguera de agua fría esté conectada a la válvula "C" (interna proyectada de color azul).
- Instale o almacene la lavadora en un lugar donde no esté expuesta a temperaturas bajo cero ni a las inclemencias climáticas, ya que esto puede provocar daños irreversibles e invalidar la garantía.
- Conecte correctamente a tierra la lavadora de conformidad con todos los códigos y ordenanzas regulatorias. Siga la información de Instrucciones de instalación.

### **ADVERTENCIA** - Riesgo de Descarga Eléctrica

Enchufe a un tomacorriente de 3 clavijas con conexión a tierra.

**NO** retire la terminal de tierra.

**NO UTILICE** un cable de extensión.

**NO UTILICE** un enchufe adaptador con este artefacto.

Si no se siguen estas instrucciones, se podrá producir la muerte o descargas eléctricas.

- Esta lavadora no incluye mangueras de suministro de agua.

GE recomienda enfáticamente el uso de piezas especificadas de fábrica. A continuación se encuentra una lista de mangueras de fábrica disponibles para la compra. Estas mangueras están fabricadas y probadas para cumplir con las especificaciones de GE.

GE recomienda enfáticamente el uso de mangueras nuevas de suministro de agua. Las mangueras se desgastan con el tiempo y deben reemplazarse cada 5 años para reducir el riesgo de fallas en las mangueras y daños provocados por el agua.

### Piezas y accesorios

Solicítelos on-line hoy mismo a **GEApplianceparts.com**, las 24 horas del día o por teléfono al 800.626.2002 en horario normal de trabajo.

Número de Pieza	Accesorio
PM14X1002	Mangueras de goma de suministro de agua de 4 pies
O	
PM14X1005	Mangueras de metal trenzada de suministro de agua de 4 pies
WX10X10011	Limpiador Tide® para Lavadoras*
PM7X1	Bandeja del Piso de la Lavadora

## CUANDO NO ESTÉ EN USO

- Cierre las llaves de paso minimizar las fugas en caso de que se produzca una rotura o grieta. Compruebe el estado de las mangueras de llenado; GE recomienda el cambio de las mangueras cada 5 años.

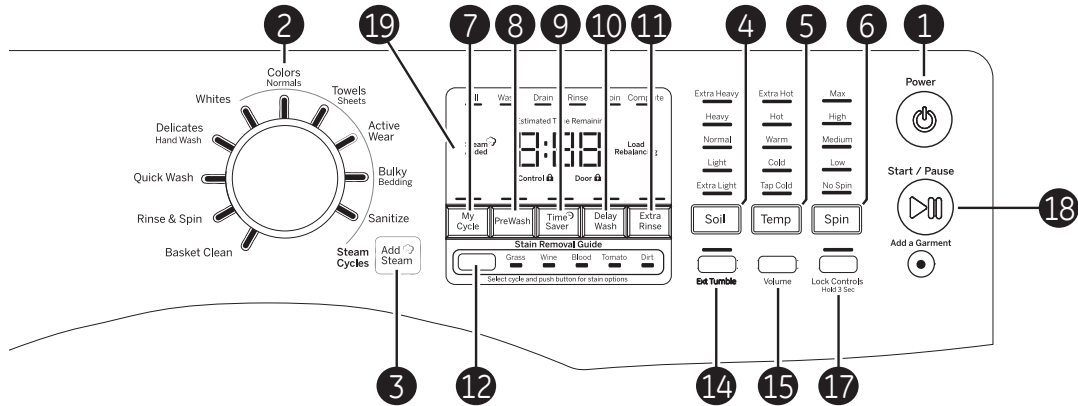
**GUARDE ESTAS INSTRUCCIONES**

# El panel de control de la lavadora.

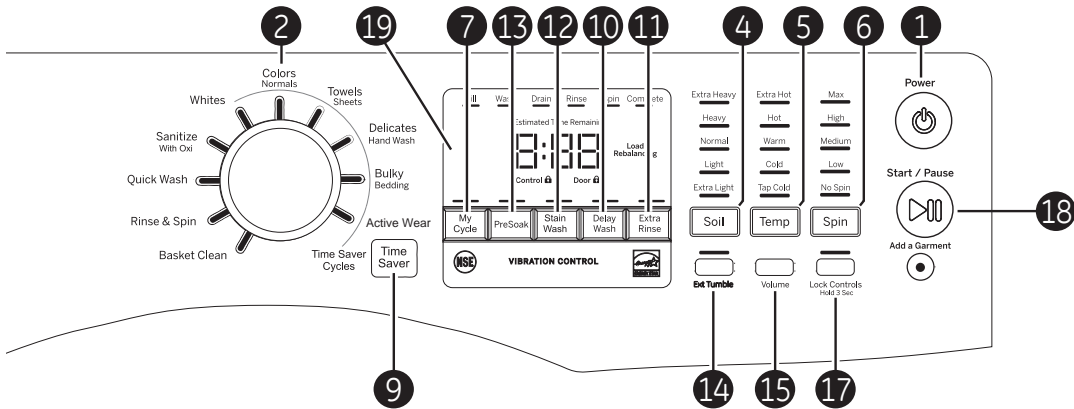
Es posible que las funciones y apariencias varíen con relación a su modelo a lo largo del manual.

Puede encontrar el número de modelo en una etiqueta situada en el costado de la lavadora o dentro de la puerta de la lavadora.

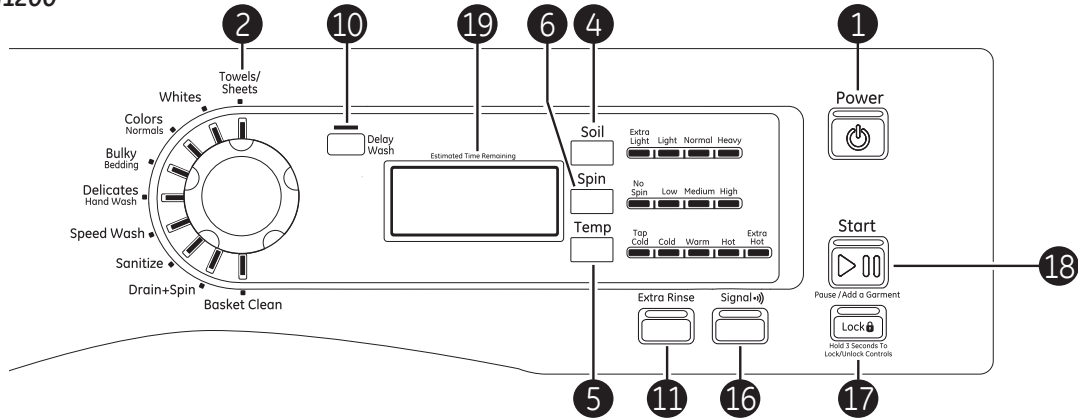
Modelos: **GFWS1700** y **GFWS1705** - Lavadora con vapor con la función Time Saver (Ahorro de Tiempo)



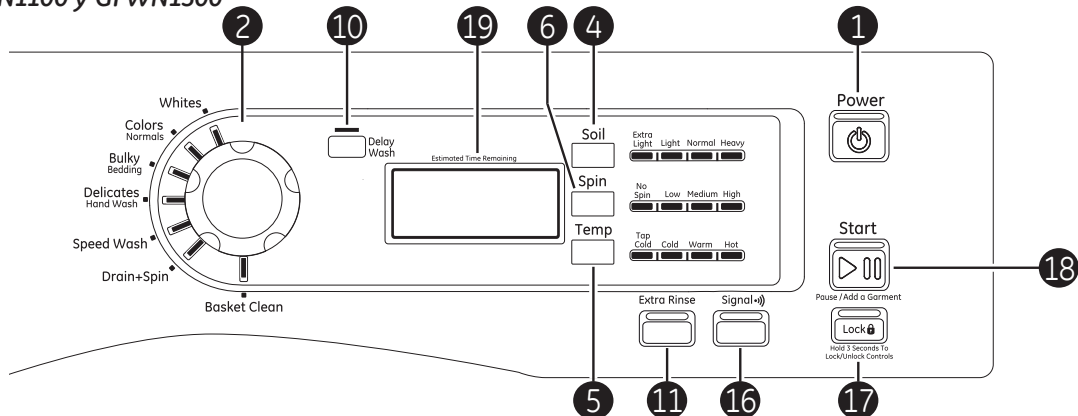
Modelo: **GFWN1600** - Lavadora con la función Time Saver (Ahorro de Tiempo)



Modelo: **GFWH1200**



Modelos: **GFWN1100** y **GFWN1300**



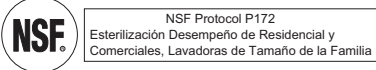
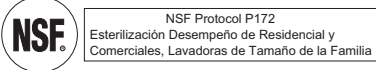
## 1 Power (Encendido/apagado)

Pulse este botón para “activar” la pantalla. Si la pantalla está activa, púselo para poner la lavadora en modo de espera.

**NOTA:** Al pulsar el botón de **Power (Encendido)** no se desconecta la lavadora de la corriente.





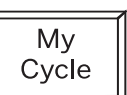

## 2 Ciclos de lavado

Los ciclos de lavado se han optimizado para tipos específicos de cargas de lavado. La siguiente tabla le ayudará a combinar el tipo de lavado con las cargas.

<b>Colors/Normals*</b> (Colores/Carga Normals)	Para prendas de algodón, ropa de cama, prendas de trabajo o deportivas de destiñen sólidos con mucha o poca suciedad.
<b>Whites*</b> (Ropa Blanca)	Para ropa sucia de color blanco, prendas de trabajo o deportivas con mucha o poca suciedad.
<b>Bulky/Bedding*</b> (Prendas/ Voluminosas)	Para prendas grandes tales como edredones, prendas de cama, tapetes pequeños y prendas similares de gran volumen.
<b>Active Wear*</b> (Ropa Deportiva) (Algunos modelos)	Para prendas de deportes activos, ejercicio y algunas de uso informal. Las telas incluyen acabados y fibras de tecnología moderna como el spandex, telas elásticas y micro fibras.
<b>Sanitize*</b> (Desinfectar) (Algunos modelos)	<p>Para un incremento en la temperatura del agua, lo cual desinfectará y matará a más del 99% de muchas bacterias encontradas de forma frecuente en la ropa sucia hogareña. Para obtener mejores resultados, seleccione la configuración de suciedad muy intensa al usar el ciclo <b>Sanitize (Desinfectar)</b>.</p> 
<b>Sanitize with Oxi</b> (Desinfectar con Oxi) (Algunos modelos)	<p>El ciclo <b>Sanitize with Oxi (Desinfectar con Oxi)</b> está diseñado para eliminar 99,9% de las bacterias encontradas en la prenda para lavar si se utiliza un aditivo Oxi junto con su detergente.</p> <p>Mida el detergente y los productos Oxi cuidadosamente. Usando las cantidades apropiadas para una gran carga muy sucia, siga las instrucciones de la etiqueta del detergente y del producto Oxi. El detergente debe añadirse utilizando las instrucciones del dispensador, como se muestra en la página 9 de esta guía. Coloque el producto Oxi directamente en la parte inferior de la canasta de lavado, antes de añadir la ropa. La conexión de suministro de agua caliente de la lavadora debe proporcionar un mínimo de 120° F para asegurar la efectividad de este ciclo.</p> <p><b>NOTA:</b> El valor predeterminado de la temperatura del agua del ciclo <b>Sanitize With Oxi</b> NO se puede cambiar.</p> <p>El ciclo <b>Sanitize With Oxi</b> está certificado por NSF International, una organización independiente de tercera parte de verificación y certificación. La certificación verifica que el ciclo reduzca 99,9% de las bacterias que se encuentran típicamente en la prenda residencial y que ninguna contaminación significativa es transferida a las cargas siguientes. Sólo el ciclo <b>Sanitize With Oxi</b> ha sido diseñado para satisfacer los requisitos del Protocolo NSF P172 para una desinfección eficiente.</p> 
<b>Towels/Sheets*</b> (Toallas/Sábanas) (Algunos modelos)	Para prendas tales como toallas, sábanas, fundas de almohadas y paños de cocina.
<b>Delicates/Hand Wash</b> (Delicadas/Lavado Manual)	Para prendas con etiqueta de lavado a mano con poca suciedad. Ofrece un secado delicado y remojo durante el lavado y enjuague.
<b>Speed Wash o Quick Wash</b> (Lavado Rápido)	Para prendas con poca suciedad que se necesiten en poco tiempo. La duración del ciclo es de aproximadamente 30 minutos, dependiendo de las opciones seleccionadas.
<b>Rinse &amp; Spin</b> (Enjuague & Centrifugado)	Para enjuagar y centrifugar rápidamente cualquier prenda en cualquier momento. Para lograr la combinación Drain + Spin (Drenado + Centrifugado), deseccione la opción <b>Extra Rinse (Enjuague Adicional)</b> .
<b>Drain + Spin</b> (Desagüe + Centrifugado)	Para drenar y centrifugar rápidamente cualquier prenda en cualquier momento.
<b>Basket Clean</b> (Limpieza de Tambor)	<p>Utilícelo para limpiar el tambor de residuos y olor. <b>Uso recomendado de una vez por mes.</b></p> <p><b>NOTA:</b> Nunca cargue ropa sucia mientras se esté usando <b>Basket Clean (Limpieza de Tambor)</b>. La ropa sucia se podrá dañar. Lea la sección <b>Care and Cleaning (Cuidado y Limpieza)</b>.</p>

\* Puede utilizarse la opción (algunos modelos) **Add Steam (Añadir de vapor)** con este ciclo.

# Ajustes de control.

- 3**  **Add Steam (Añadir de vapor)** (Algunos modelos)
- La función de **Add Steam** (Añadir de vapor) agrega vapor a la lavadora durante los ciclos de lavado de **Whites** (Blanca), **Colors/Normal** (Colores/Normal), **Towels/Sheets** (Toallas/Sábanas), **Active Wear** (Ropa deportiva) o **Power Clean** (Lavado intenso) (dependiendo del modelo), **Bulky Bedding** (Prendas voluminosas) o **Sanitize** (Desinfectar).
- Para usar:**
1. Encienda el aparato (**ON**) y seleccione un ciclo de lavado.
  2. Seleccione el botón **Add Steam** (Añadir de vapor) para activar vapor.
  3. Presione el botón **Start/Pause** (Iniciar/Pausa).
- 
- 4**  **Soil (Suciedad)**
- Al cambiar el **Soil** level (Nivel de suciedad), aumenta o disminuye el tiempo de lavado con el fin de eliminar las distintas cantidades de suciedad.
- Para cambiar el **Soil** level (Nivel de suciedad), pulse el botón **Soil** level (Nivel de suciedad) hasta obtener el valor deseado. Puede elegir entre los niveles de suciedad Extra Light (Muy poca), Light (Poca), Normal o Heavy (Mucha).
- 
- 5**  **Temp (Temperatura)**
- (apariencia puede variar)
- Ajuste este control para seleccionar la temperatura principal del agua adecuada para el ciclo de lavado. El agua de **PreSoak** (Preremajo) y **PreWash** (Prelavado) enjuagado está siempre fría para poder reducir el consumo de energía y las manchas y arrugas.
- Siga las indicaciones de la etiqueta de cuidado del fabricante del tejido al seleccionar la temperatura de lavado. Para cambiar la temperatura de lavado, pulse el botón wash **Temp** (Temperatura de lavado) hasta obtener el valor deseado. Puede elegirse entre Tap Cold (frío de grifo), Cold (frío), Warm (tibio), Hot (caliente) o Extra Hot (Muy caliente) (disponible en modelos equipados con un calentador). Por diseño, a fin de proteger las telas, no todas las temperaturas de lavado están disponibles para ciertos ciclos de lavado.
- NOTA:** Los 10 primeros segundos de la toma de agua, siempre está fría. Esta función permite acondicionar el tejido y evitar que las manchas se adhieran a las prendas.
- 
- 6**  **Spin (Centrifugado)**
- (apariencia puede variar)
- Al cambiar la **Spin** (Velocidad de centrifugado), cambia la velocidad final de centrifugado de los ciclos. Siga siempre las indicaciones de la etiqueta de cuidado del fabricante de la prenda al cambiar la **Spin** (Velocidad de centrifugado). Para cambiar la **Spin** (Velocidad de centrifugado), pulse el botón **Spin** (Velocidad de centrifugado) hasta obtener el valor deseado. Puede elegirse entre No Spin (sin centrifugado), Low (bajo), Medium (medio), High (alto) o Max (extra alto). Las velocidades de centrifugado más rápidas no están disponibles en determinados ciclos, como **Delicates** (Delicadas). Con dichas velocidades, se elimina más agua de las prendas y se reduce el tiempo de secado, aunque también puede aumentar la posibilidad de que se formen arrugas en algunos tejidos.
- 
- 7**  **My Cycle (Mi Ciclo)** (Algunos modelos)
- Para guardar el ciclo que prefiera, establezca los valores deseados para los ajustes de ciclo de lavado, nivel de suciedad, velocidad de giro y temperatura de lavado y mantenga pulsado el botón **My Cycle** (Mi Ciclo) durante 3 segundos. Sonará un pitido para indicar que el ciclo se ha guardado. Para utilizar el ciclo personalizado, pulse el botón **My Cycle** (Mi Ciclo) antes de lavar una carga.
- Para cambiar el ciclo guardado, establezca los valores deseados y mantenga pulsado el botón **My Cycle** (Mi Ciclo) durante 3 segundos.
- NOTA:** Al utilizar **My Cycle** (Mi Ciclo), no se pueden modificar las opciones de lavado una vez que comience el ciclo.
- NOTA:** Si cambia las opciones de lavado con **My Cycle** (Mi Ciclo) antes de que el ciclo comience, el indicador de **My Cycle** (Mi Ciclo) se apagará y volverá al ciclo base.
- 
- 8**  **PreWash (Prelavado)** (Algunos modelos)
- El prelavado es un lavado adicional que se realiza antes del lavado principal. Utilícelo con prendas muy sucias o con aquellas prendas en cuyas etiquetas de cuidado se recomienda realizar un prelavado. Asegúrese de añadir detergente de alta eficacia líquido o en polvo o la sustancia de lavado correspondiente en la cubeta de prelavado.
- PreWash** (Prelavado) se debe de seleccionar antes de presionar **Start** (Iniciar).
- La función **PreWash** (Prelavado) llenará la lavadora con agua fría (agregando el detergente de prelavado), hará girar la ropa, efectuará el desagüe y el centrifugado. Luego la lavadora realizará el ciclo de lavado seleccionado.
- NOTA:** En algunos ciclos especiales, el prelavado se selecciona automáticamente por defecto. Esta selección puede modificarse en cualquier momento.

9



### Time Saver (Ahorro de Tiempo) *(sur certains modèles)*

Use esta opción para reducir el ciclo total de lavado en por lo menos un 20%, sin que afecte el rendimiento del lavado. Esta función está disponible en todos los ciclos, excepto en **Basket Clean** (Limpieza de Tambor), **Sanitize** (Desinfectar), **Rinse + Spin** (Enjuagar + Centrifugar), y **Quick Wash** (Lavado Rápido).

Esta opción modificará el ciclo de lavado, elevando levemente la temperatura de lavado y usando más agua para brindar un rendimiento de lavado parejo con el ciclo básico. Las demás funciones, tales como **Extra Rinse** (Enjuague Adicional), **Add Steam** (Añadir de vapor), etc., pueden ser usadas con **Time Saver** (Ahorro de Tiempo), pero podrán ajustar el tiempo de lavado total.

#### Para usar:

1. Presione el encendido y seleccione un ciclo de lavado que posea **Time Saver** (Ahorro de Tiempo) como opción.
2. Realice cualquier ajuste a **Soil** (Suciedad), **Temp** (Temperatura) y **Spin** (Centrifugar), según lo desee.
3. Presione el botón **Time Saver** (Ahorro de Tiempo) para reducir el tiempo total de lavado.
4. Presione el botón **Start/Pause** (Iniciar/Pausar).

10



### Delay Wash (Retrasar Lavar)

Puede retrasar el inicio del ciclo de lavado hasta 24 horas. Presione el botón **Delay Wash** (Retrasar Lavado) para seleccionar la cantidad de tiempo que desee retrasar el inicio del ciclo de lavado. Una vez alcanzado el tiempo deseado, presione el botón **Start** (Iniciar). La lavadora comenzará la cuenta regresiva y se pondrá en funcionamiento automáticamente a la hora señalada.

**NOTA:** Si olvida cerrar por completo la puerta, sonará una señal para recordárselo.

**NOTA:** Si abre la puerta durante la cuenta regresiva, la lavadora entrará en estado de pausa. Debe cerrar la puerta y pulsar de nuevo **Start** (Iniciar) para reiniciar la cuenta regresiva.

11



### Extra Rinse (Enjuague Adicional)

Esta opción permite un enjuague adicional durante un ciclo a fin de eliminar suciedad y detergente excesivo de cargas con suciedad.

En modelos con el ciclo **Rinse & Spin** (Enjuague y Giro), se podrá lograr un ciclo de drenaje y giro presionando el botón **Extra Rinse** (Enjuague Adicional) hasta que el indicador no haya luz.

12



### Guía de Eliminación de Manchas

*(Algunos modelos)*

La **Guía de Eliminación de Manchas** está preprogramada con las configuraciones de lavado y secado ideal, a fin de eliminar cinco tipos de manchas comunes: césped, vino, sangre, tomate y tierra. Para usar esta función, seleccione el ciclo de lavado deseado y luego presione el botón **Stain Removal Guide** (Guía de Eliminación de Manchas), hasta que la mancha que desee eliminar quede resaltada. Después, presione el botón **Start** (Iniciar).

Para algunas manchas, un **PreWash** (Prelavado) será seleccionado automáticamente. Si lo desea, agregue detergente o aditivo de lavado al dispensador

de prelavado. **Add Steam** (Añadir de vapor) no se puede seleccionar junto con esta función.

### Stain Wash (Lavado de mancha)

*(Algunos modelos)*

El modificador **Stain Wash** se puede utilizar con todos los ciclos, excepto **Rinse & Spin** (Enjuague y Centrifugado) y **Basket Clean** (Limpieza de Tambor) y está programado con la configuración ideal de lavado y enjuague para enfrentar a las manchas comunes. Para utilizar esta función, seleccione el ciclo de lavado deseado y luego presione el botón **Stain Wash**.

Una vez seleccionado, presione el botón **Start** (Iniciar) para iniciar el ciclo. Para algunas manchas, **PreSoak** (Preremajo) se seleccionará automáticamente.

13



### PreSoak (Preremajo) *(Algunos modelos)*

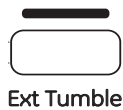
Para remojar las prendas antes del ciclo de lavado. Esta opción se inicia con un breve giro y luego procede a remojar la ropa con agua y detergente por un período de tiempo especificado. Una vez completado, el ciclo comenzará de forma automática. Antes de presionar **Start** (Iniciar), se debe de

seleccionar **PreSoak** (Preremajo).

El tiempo de **PreSoak** (Preremajo) agrega otros 30 minutos para el tiempo total de lavado. Para el periodo de preremajo y del ciclo de lavado principal se utiliza el detergente de alta eficiencia del compartimiento principal del dispensador de lavado.

# Ajustes de control.

14



Ext Tumble

## Extended Tumble (Giro Extendido) (Algunos modelos)

Hace girar sus prendas de forma periódica para que se mantengan frescas hasta durante 8 horas, hasta que el ciclo de lavado se haya completado, a fin de reducir el nivel de arrugas y pliegues cuando no pueda mover la ropa a la secadora de forma inmediata.

Al final del ciclo, en la pantalla aparecerá "END" (Fin), y luego de diez minutos se iniciará la función **Extended Tumble (Giro Extendido)**. Se puede detener en cualquier momento, presionando el botón **Power (Encendido)**.

**Nota:** La opción **Extended Tumble (Giro Extendido)** no puede ser agregada a la función **My Cycle (Mi Ciclo)**.

15



Volume

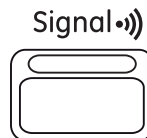
## Volume (Volumen)

Este botón cuenta con dos funciones:

■ Para cambiar el nivel de volumen de la señal de final del ciclo, presione el botón tantas veces como sea necesario hasta llegar al volumen deseado. Hay cuatro niveles de sonido, incluyendo OFF (Apagado).

■ Para colocar los sonidos del botón en ON/OFF (Encender/ Apagar), mantenga presionado el botón durante 3 segundos.

16



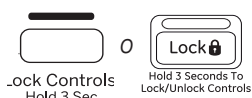
Signal

## Cycle Signal (Señal de ciclo)

Utilice el botón **Signal (Señal)** para cambiar el volumen de la señal de final del ciclo.

Pulse el botón hasta alcanzar el volumen deseado.

17



(dependiendo del modelo)

## Lock Controls (Bloquear de control) o Lock (Bloquear) (dependiendo del modelo)

Puede bloquear los controles para impedir que se realice cualquier selección. O bien puede bloquear los controles después de haber iniciado un ciclo.

Para desbloquear los controles de la lavadora, mantenga pulsado el botón **Lock Control (Bloquear de control)** o **Lock (Bloquear)** durante 3 segundos.

Con esta opción seleccionada, los niños no podrán poner en marcha la lavadora de manera fortuita aunque toquen el panel.

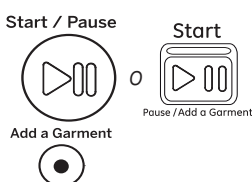
Se escuchará un sonido que indica la condición de bloqueado/desbloqueado.

Para bloquear la lavadora, mantenga pulsado el botón **Lock Controls (Bloquear de control)** o **Lock (Bloquear)** durante 3 segundos.

La luz indicadora sobre el botón se iluminará cuando los controles estén bloqueados.

**NOTA:** El botón **Power (Encendido/Apagado)** puede seguir utilizándose cuando la lavadora está bloqueada.

18



(dependiendo del modelo)

## Start/Pause (Inicio/Pausa)-Add A Garment (Agregue una Prenda)

Pulse este botón para iniciar un ciclo de lavado. Si la lavadora está en funcionamiento, al pulsarlo una vez, la lavadora se detendrá y se desbloqueará la puerta. La puerta tardará unos segundos en destrabarse después de presionar **Pause (Pausa)**. Vuelva a pulsar el botón para reiniciar el ciclo de lavado.

**NOTA:** En algunos ciclos, la lavadora realiza el desagüe primero, luego destrabe la puerta cuando se encuentra en pausa.

**NOTA:** La lavadora realiza revisiones automáticas del sistema después de presionar el botón **Start (Inicio)**. El flujo de agua se iniciará en 45 segundos o antes. Podrá escuchar la puerta al trabarse y destrabarse antes de que comience a fluir el agua; esto es normal.

**NOTA:** Si la lavadora está detenida y el ciclo no se reinicia en 15 minutos, se cancelará el ciclo de lavado actual.

19



(el aspecto variará y no todos los modelos contarán con todas las funciones)

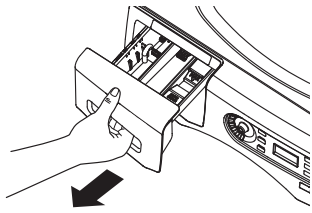
## Pantalla

Muestra el tiempo restante estimado hasta el final del ciclo.

**NOTA:** El tiempo del ciclo es afectado por la presión del agua de su hogar y el equilibrio de la carga en la lavadora. Podrá ver el tiempo restante a través del incremento en pantalla para usar una velocidad de giro inferior, a fin de manejar cargas desbalanceadas.

En algunos modelos, el estado del ciclo también es exhibido y ciertas funciones tales como **Delay Wash (Retrasar Lavado)** o **Steam (Vapor)** se muestran indicando que fueron seleccionadas.



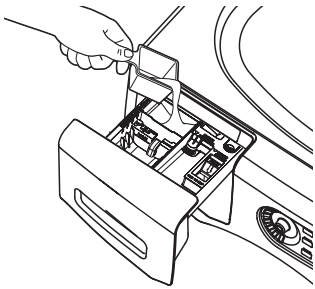


## Depósito de detergente

Abra lentamente el depósito de detergente tirando de él hasta que se detenga.

Tras añadir los productos de lavado, ciérrelo despacio. Si cierra el depósito demasiado rápido, puede provocar que la lejía, el suavizante o el detergente se administren antes de tiempo.

Es posible que observe agua en el depósito de detergente al final del ciclo. Este es el resultado de la acción de trasvase y forma parte del funcionamiento normal de la lavadora.



## Compartimento de prelavado

(en algunos modelos)

- Utilice sólo el compartimento de prelavado si va a seleccionar el ciclo **Pre Wash** (Prelavado) para prendas muy sucias. Añada la cantidad de detergente o de sustancia de prelavado al compartimento de prelavado situado en la parte posterior izquierda del depósito de detergente.
- El detergente o la sustancia de prelavado se añaden desde el depósito durante el ciclo de **Pre Wash** (Prelavado) (en caso de que se seleccione).

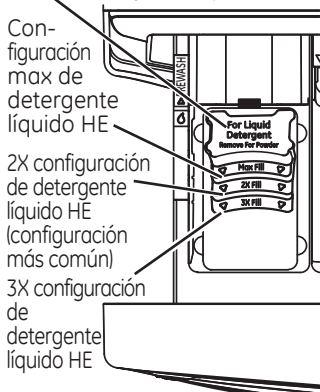
**NOTA:** El detergente líquido se vaciará en el tambor de la lavadora a medida que se añada.

- Es posible que haya que ajustar el uso de detergente a la temperatura del agua, a la dureza de la misma, al tamaño y al nivel de suciedad de la carga. Evite utilizar demasiado detergente en la lavadora ya que puede producir demasiado jabón y dejar restos en las prendas.

## Compartimento para el detergente

- **Utilice sólo detergente de alta eficacia con esta lavadora. Use la cantidad recomendada por el fabricante del detergente.**
- Añada la medida de detergente al compartimento de detergente delantero izquierdo del depósito.
- El detergente se añade desde el depósito al comienzo del ciclo de lavado. Se puede utilizar tanto detergente en polvo como líquido.
- Es posible que haya que ajustar el uso de detergente a la temperatura del agua, a la dureza de la misma, al tamaño y al nivel de suciedad de la carga. Evite utilizar demasiado detergente en la lavadora ya que puede producir demasiado jabón y dejar restos en las prendas.
- Utilizar más detergente de la cantidad recomendada puede provocar una acumulación de residuos en su lavadora.

Quite de detergente en polvo

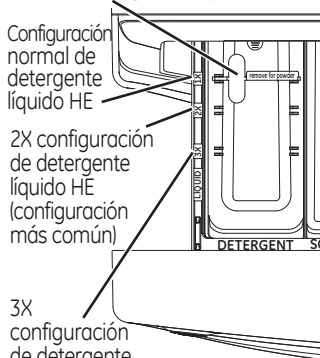


El aspecto puede variar

## En los modelos con una taza de detergente

- **Detergente en Polvo** – Retire la taza de líquido detergente elegido y coloque el mismo en una ubicación segura afuera de la lavadora. Siga las instrucciones del fabricante de detergente al medir la cantidad de polvo a usar.
- **Detergente Líquido** – Ubique la concentración de su detergente en la botella. No llene por encima de la línea de Llenado Máximo en la taza de Detergente para su tipo de concentración de detergente.

Quite de detergente en polvo



El aspecto puede variar

## En los modelos con una pieza de selección

La pieza de selección de detergente se debe colocar en el compartimento de detergente en la posición específica con respecto al tipo de detergente que se vaya a utilizar.

- **Detergente en polvo** – Quite la pieza de selección de detergente y coloque el mismo en una ubicación segura afuera de la lavadora.
- **Detergente líquido** – Usted tendrá que ajustar la pieza de acuerdo con el tipo de detergente líquido que esté utilizando. Los íconos ubicados sobre el costado del compartimento para detergente deben estar alineados sobre el centro cuando la pieza se encuentra en su posición.

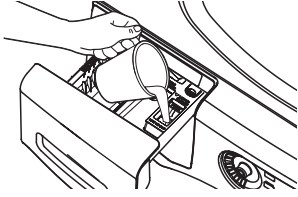
**NOTA:** No todos los modelos tienen las configuraciones para detergentes 2x y 3x. Algunos vienen sólo con la configuración regular HE. Para lograr la configuración 2x ó 3x usted deberá reducir la cantidad de detergente según las instrucciones del envase.

Mueva la pieza sacándola y deslizándola entre las ranuras del compartimento de detergente delantero o trasero, según desee, para detergente líquido. Quite de detergente en polvo.

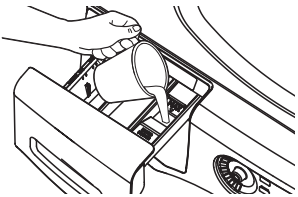
Se puede filtrar detergente debajo de la inserción antes de que se inicie el ciclo. Esto es normal y no afectará el rendimiento del lavado.

# Acerca de las funciones de la lavadora.

En algunos modelos:



En algunos modelos:



## Compartimento para lejía líquida

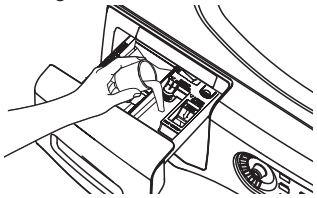
**IMPORTANTE:** La posición del compartimento de lejía varía con cada modelo. Asegúrese de identificar el compartimento correcto para lejía antes del uso.

Si lo desea, mida la cantidad recomendada de lejía líquida, que no sobrepase 1/3 del recipiente (80 ml) y viértala en el compartimento derecho con la etiqueta "Liquid Bleach" (Lejía líquida).

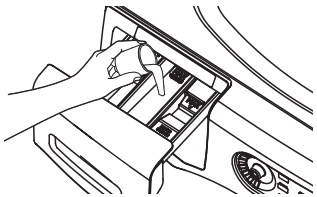
No sobrepase la línea de llenado máximo. Un llenado excesivo puede hacer que la lejía se administre demasiado pronto y, como resultado, dañe las prendas.

**NOTA:** No utilice lejía en polvo en el depósito.

En algunos modelos:



En algunos modelos:



## Compartimento para el suavizante

**IMPORTANTE:** La posición del compartimento de suavizante varía con cada modelo. Asegúrese de identificar el compartimento correcto para suavizante antes del uso.

Si lo desea, vierta la cantidad recomendada de suavizante líquido en el compartimento con la etiqueta "Fabric Softener" (Suavizante).

Utilice sólo suavizante líquido en el depósito.

Dilúyalo con agua hasta la línea de llenado máximo.

No sobrepase la línea de llenado máximo. Un llenado excesivo puede hacer que el suavizante se administre demasiado pronto y manche las prendas.

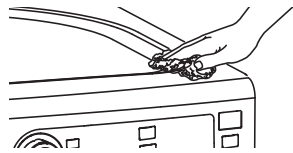
**NOTA:** No vierta directamente el suavizante sobre la carga.

# Carga de la lavadora

Puede que el tambor de la lavadora esté totalmente lleno con prendas sueltas que se añadan. **No lave prendas que contengan materiales inflamables (ceras, líquidos de limpieza, etc.).**

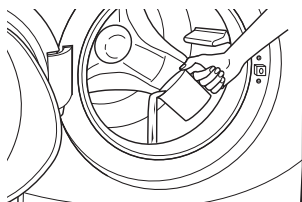
## Ejemplos de carga

ROPA DE TRABAJO	ROPA DE CAMA	CARGA MIXTA	DELICADOS*	LAVADO RÁPIDO (2-4 PRENDAS)
4 Jeans 5 camisas de trabajo 5 pantalones de trabajo	2 toallones grandes 10 toallas de baño/ 12 toallitas 7 toallas de mano/ 2 alfombras de baño de toalla ○ 2 sábanas rectas tamaño Queen 2 sábanas ajustables tamaño Queen 4 fundas de almohada	4 fundas de almohada 2 toallas de mano 2 sábanas rectas/ 2 sábanas ajustables 2 toallas de baño/ 4 toallitas ○ 6 camisas (de hombre o de mujer) 4 pantalones (Khakis o de sarga) 5 camisetas 7 boxers 4 shorts ○ 6 camisetas 4 pantalones de gimnasia 4 sudaderas 2 sudaderas con capucha 7 pares de medias	7 sostenes 7 pantaletas 3 enaguas 2 camisolas 4 camisones  *Se recomienda el uso de una bolsa de malla de nylon para elementos pequeños	2 camisas de trabajo informales 1 pantalón de trabajo informal ○ 3 uniformes de fútbol



## Exterior

Limpie inmediatamente cualquier vertido. Utilice un trapo húmedo. No aplique objetos afilados a la superficie.



## Interior

Para limpiar la parte interna de la lavadora, seleccione la función **Basket Clean** (*Limpieza de Tambor*) del panel de control. Este ciclo **Basket Clean** debería ser activado, como mínimo, una vez por mes. Este ciclo usará más agua, además de blanqueador, para controle el nivel en el cual las suciedades y detergentes se podrá acumular en la lavadora.

**NOTA:** Lea las instrucciones por completo antes de comenzar el ciclo **Basket Clean**.

1. Quite las prendas u objetos de la lavadora y verifique que el tambor de la lavadora se encuentre vacío.
2. Abra la puerta de la lavadora y vierta en la canasta una taza o 250 ml de líquido blanqueador u otro limpiador para lavadoras.
3. Cierre la puerta por completo y vuelva a iniciar el ciclo **Basket Clean**. Presione el botón **Start (inicio)**.
4. Cuando el ciclo **Basket Clean** esté funcionando, la pantalla mostrará el tiempo restante estimado del ciclo. El ciclo se completará en alrededor de 90 minutos. No interrumpa el ciclo.
5. Después de finalizado el ciclo, deje la puerta un poco abierta para una mejor ventilación.

Si por alguna razón debe interrumpirse el ciclo, la puerta no se abrirá de inmediato. Tratar de abrir la puerta en esta etapa puede hacer que el agua se derrame. La puerta se abrirá después de que el agua haya drenado hasta un nivel en el que no inunde el piso. **Basket Clean** puede interrumpirse presionando el botón **Start/Pause (Inicio/Pausa)** entre ciclos. Un corte de energía en el hogar también puede interrumpir el ciclo. Cuando se reanuda el servicio eléctrico, el ciclo **Basket Clean** continúa desde el punto en el que se había detenido. Cuando se interrumpe, asegúrese de realizar un ciclo completo de **Basket Clean** antes de utilizar la lavadora. Si se presiona el botón **Power (encendido)** durante **Basket Clean**, el ciclo se perderá.

### IMPORTANTE:

- Haga funcionar el ciclo **Basket Clean** con 1 taza (250 ml) de lejía una vez por mes.
- Después de finalizar un ciclo **Basket Clean**, la parte interior de su lavadora puede tener olor a lejía.
- Se recomienda lavar una carga de colores claros después del ciclo **Basket Clean**.



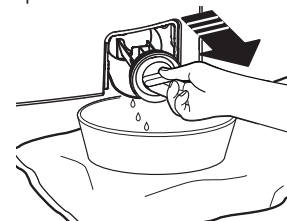
## Cómo limpiar el filtro de la bomba

Debido a la naturaleza de la lavadora de carga frontal, es posible que a veces pasen partículas pequeñas a la bomba. La lavadora cuenta con un filtro para capturar los elementos perdidos y que no caigan en el drenaje. Para recuperar los elementos perdidos, limpie el filtro de la bomba.

1. Utilizando un destornillador de lados planos o una moneda, abra la puerta de acceso.
2. Coloque una bandeja o plato poco profundo bajo la puerta de acceso y toallas en el piso frente a la lavadora para proteger el piso. Es normal que salga alrededor de una taza de agua cuando se quite el filtro.

**NOTA:** Si hay agua en la canasta cuando se limpia el filtro de la bomba, la misma será drenada y será necesario usar una olla o plato más grande.

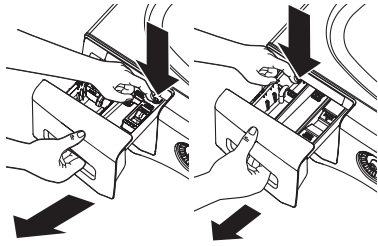
3. Baje el pico vertedor.
4. Gire el filtro de la bomba en sentido contrario a las agujas del reloj y quite el filtro lentamente, controlando el flujo del agua que sale.



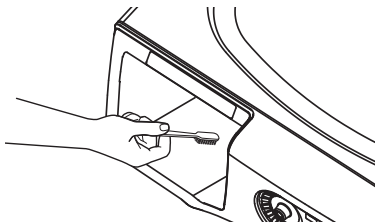
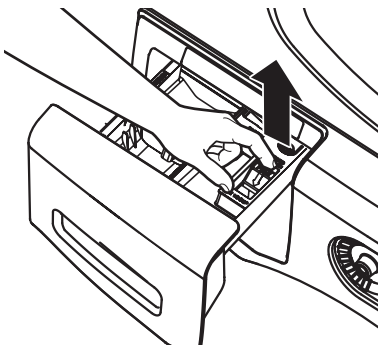
5. Limpie las suciedades.
6. Vuelva a colocar el filtro y gire en sentido de las agujas del reloj. Ajuste bien.
7. Eleve el pico vertedor.
8. Cierre la puerta de acceso engançando las lengüetas del fondo primero, luego girando y cerrando la puerta de acceso.

# Cuidado y limpieza

Pestaña en trasera izquierda o derecha dependiendo del modelo



La lengüeta de bloqueo sólo es visible tras sacar el depósito



## Zona del depósito de detergente

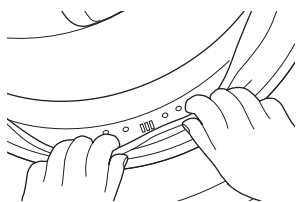
El detergente y el suavizante pueden acumularse en el depósito de detergente. Los residuos deben eliminarse una o dos veces al mes.

- Saque el depósito tirando de él hasta que se detenga. En la esquina trasera izquierda o derecha (dependiendo del modelo) de la cavidad del cajón, presione firmemente en la pestaña de bloqueo y tire a la vez del depósito.
- Extraiga las piezas de los compartimentos para lejía y suavizante, así como la pieza del detergente. Lave las piezas y el depósito con agua caliente para eliminar los restos de productos de limpieza acumulados.
- Para limpiar la abertura del depósito, utilice un cepillo pequeño a fin de limpiar el hueco. Retire todos los restos de las partes superior e inferior del hueco.
- Vuelva a colocar las piezas en los compartimentos correspondientes. Introduzca de nuevo el depósito de detergente.
- Para reducir la acumulación en la zona del depósito de detergente:

**Use sólo detergente de alta eficiencia HE.**



## Junta de la puerta



Abra la puerta de la lavadora. Usando ambas manos, presione la junta de la puerta hacia abajo. Quite los objetos extraños que encuentre atrapados dentro de la junta. Asegúrese de que no haya ningún objeto bloqueando los orificios ubicados detrás de la junta.

Mientras presiona la junta de la puerta hacia abajo, inspeccione la junta interior

jalándola hacia abajo con los dedos. Quite los objetos extraños que encuentre atrapados dentro de esta junta. Asegúrese de que no haya ningún objeto bloqueando los orificios ubicados detrás de la junta.

Cuando haya terminado de limpiar la junta de la puerta, quite las manos y la junta volverán a la posición de funcionamiento.

## Largas vacaciones

Asegúrese de cortar el agua de todas las llaves de paso. Vacíe todas las tuberías de agua si la temperatura va a encontrarse por debajo de cero grados.

## Desplazamiento y almacenamiento

Pida al técnico de servicio que elimine el agua de las tuberías y la bomba de desagüe. No guarde la lavadora en un lugar donde esté expuesta a las inclemencias climáticas. Al mover la lavadora, la cuba debe mantenerse estable utilizando los pernos de transporte que se han extraído durante la instalación. Consulte las Instrucciones de instalación en este manual. Si estas piezas no están disponibles, se pueden solicitar a través del sitio Web [www.GEAppliances.com](http://www.GEAppliances.com) o llamando al 800.GE.CARES.

# Instrucciones de instalación

# Lavadora

Si tiene alguna pregunta, llame a 800.GE.CARES (800.432.2737) o visite nuestro sitio Web en: [GEAppliances.com](http://GEAppliances.com)

**!** Éste es el símbolo de alerta de seguridad. El mismo alerta sobre potenciales riesgos que le pueden producir la muerte o lesiones tanto a usted como a otras personas. Todos los mensajes de seguridad estarán a continuación del símbolo de alerta de seguridad y con la palabra "PELIGRO", "ADVERTENCIA" o "PRECAUCIÓN". Estas palabras se definen como:

**!** **PELIGRO** Indica una situación de riesgo que, si no se evita, **producirá** la muerte o lesiones graves.

**!** **ADVERTENCIA** Indica una situación de riesgo que, si no se evita, **podría** producir la muerte o lesiones graves.

**!** **PRECAUCIÓN** Indica una situación de riesgo que, si no se evita, **podría** resultar en lesiones menores o moderadas.

## ANTES DE COMENZAR

Lea detenidamente todas las instrucciones.

- **IMPORTANTE** – Guarde estas instrucciones para uso del inspector local.
- **IMPORTANTE** – Cumpla todos los códigos y ordenanzas regulatorias.
- **Nota al instalador** – Asegúrese de dejar estas instrucciones al usuario.
- **Nota al usuario** – guarde estas instrucciones para consultas futuras.
- **Nivel de habilidad** – la instalación de este electrodoméstico requiere habilidades mecánicas y eléctricas básicas.
- **Duración** – de 1 a 3 horas
- La instalación adecuada es responsabilidad del instalador.
- La garantía no cubre fallas producidas por la instalación inadecuada del producto.

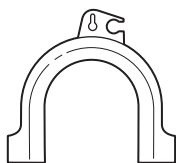
## PIEZAS INCLUIDAS



Abrazadera de cable



Arandelas del filtro de la tubería de entrada (2)



Guía de tuberías

## HERRAMIENTAS NECESARIAS

- Llave inglesa o toma de corriente con trinquete de 1/2"
- Llave inglesa o llave de boca de 9/16"
- Alicates ajustables Channel-lock
- Nivel de carpintero

## PIEZAS NECESARIAS (Obtener a nivel local)

- Tuberías de agua (2)



## KIT DE SOPORTE DE APILADO

Un kit de soporte de apilado se encuentra disponible a un costo adicional. Puede solicitarse en los Estados Unidos visitando nuestro sitio Web en [GEAppliances.com](http://GEAppliances.com) o llamando a 800.GE.CARES. Solicite el kit #WE25X10018 o GEFLSTACK.

## ACCESORIO OPCIONAL DEL PEDESTAL

Usted puede disponer de un pedestal por un costo adicional. En Estados Unidos, lo puede ordenar visitando nuestro sitio web en [GEAppliances.com](http://GEAppliances.com) o llamando al 800.GE.Cares. Este producto sólo debe ser usado con el pedestal N° SBSC137HXX, SBSD137HXX y SBSD227FXX. Siga las Instrucciones de Instalación del pedestal.

# Instrucciones de instalación

## UBICACIÓN DE LA LAVADORA

### No instale la lavadora:

1. En un área expuesta a goteras o a las condiciones del exterior. La temperatura ambiente no debe ser nunca inferior a 60°F (15,6°C) para que la lavadora funcione correctamente.
2. En una zona en la que pueda entrar en contacto con cortinas u otras telas.
3. Sobre una alfombra. El suelo **DEBE** ser una superficie dura y nivel con una inclinación máxima de 1/2" por pie (1,27 cm por cada 30 cm). Para asegurarse de que la lavadora no vibre ni se mueva, es posible que tenga que reforzar el suelo.

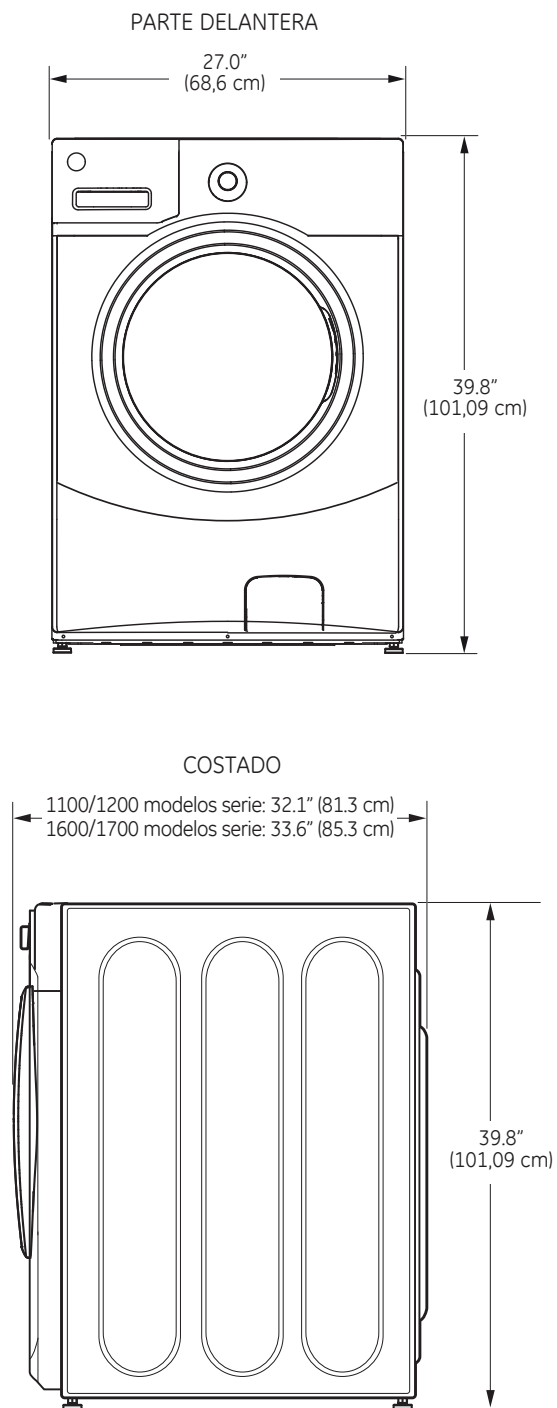
**NOTA:** Si el suelo se encuentra en mal estado, utilice una plancha con 3/4" de contrachapado bien fija al revestimiento existente en el suelo.

### IMPORTANTE:

### Distancias mínimas de separación para la instalación

- Cuando se instale en alcoba: costados, parte trasera, parte superior = 0" (0 cm)
- Cuando se instale en un armario: costados, parte trasera, parte superior = 0" (0 cm), parte delantera = 1" (2,54 cm)
- Aberturas de ventilación necesarias en la puerta del armario:  
2 listones, cada uno de 60 pulgadas cuadradas (387 cm<sup>2</sup>), situados a 3" (7,6 cm) de las partes superior e inferior de la puerta

## DIMENSIONES APROXIMADAS



NOTA: Con plataforma, 52,6"  
Apilada, 84"

# Instrucciones de instalación

## DESEMBALAJE DE LA LAVADORA

### **⚠ ADVERTENCIA:**

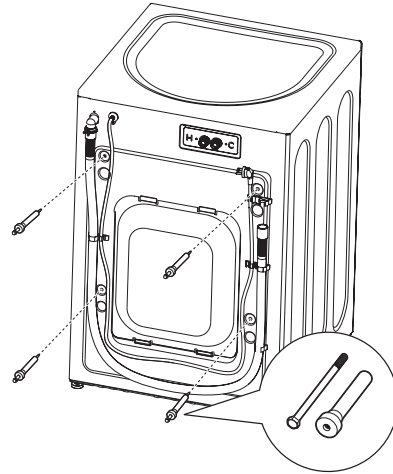
Recicle o deseche la caja de cartón y las bolsas de plástico una vez que haya desembalado la lavadora. Mantenga estos materiales fuera del alcance de los niños, pues éstos podrían utilizarlos para jugar. Las cajas de cartón cubiertas con mantas, colchas o láminas de plástico pueden convertirse en cámaras de aire herméticas y producir asfixia.

1. Corte y retire las bandas de embalaje superiores e inferiores.
2. Mientras se encuentre dentro de la caja, coloque con cuidado la lavadora sobre el costado de la misma. NO la tumbe por la parte delantera ni trasera.
3. Abra las tapas inferiores y retire todo el embalaje de la base, incluido el cartón, la base y el soporte de la cuba de espuma de poliestireno (insertado en el centro de la base).

**NOTA:** Si va a instalar una plataforma, continúe con las instrucciones de instalación correspondientes de la misma.

4. Vuelva a levantar la lavadora con cuidado y retire la caja de cartón.
5. Desplace poco a poco la lavadora hasta 4 pies (122 cm) de su ubicación definitiva.

6. Quite las siguientes piezas de la parte trasera de la lavadora:  
4 pernos  
4 separadores de plástico (incluidas las arandelas de goma)  
4 sujeciones del cable de alimentación



**NOTA:** Si se retiran incorrectamente los pernos de transporte, puede que la lavadora se vea gravemente desequilibrada.

**Guarde todos los pernos para uso futuro.**

**NOTA:** Si necesitara transportar la lavadora posteriormente, debe volver a colocar las piezas de sujeción para el transporte con el fin de evitar daños durante el mismo. Guarde dichas piezas en la bolsa de plástico que se incluye.

**Si pierde los pernos de embalaje, existen reemplazos disponibles a un costo adicional. Pueden solicitarse en los Estados Unidos visitando nuestro sitio Web en [GEAppliances.com](http://GEAppliances.com) o llamando a 800.GE.CARES. Solicite el kit #WH49X10039.**

# Instrucciones de instalación

## REQUISITOS ELÉCTRICOS

### **ADVERTENCIA** - Riesgo de Descarga Eléctrica

Enchufe a un tomacorriente de 3 clavijas con conexión a tierra.

**NO** retire la terminal de tierra.

**NO UTILICE** un cable de extensión.

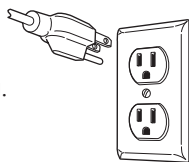
**NO UTILICE** un enchufe adaptador con este artefacto.

Si no se siguen estas instrucciones, se podrá producir la muerte o descargas eléctricas.

**CIRCUITO** – individual, correctamente polarizado y conectado a un disyuntor de 15 o 20 amperes o a un fusible con retardo.

**SUMINISTRO DE CORRIENTE** – 2 cables y conexión a tierra, 120 voltios, fase simple, 60 Hz., corriente alterna.

**Receptáculo Externo** – receptáculo de 3 clavijas correctamente conectado a tierra, ubicado de modo que el cable de corriente esté accesible cuando la lavadora esté en una posición instalada. Si hay un receptáculo de 2 clavijas, es responsabilidad del propietario solicitar a un electricista matriculado que reemplace el mismo por un receptáculo de 3 clavijas con conexión a tierra, que esté correctamente conectado a tierra.



La lavadora deberá estar correctamente conectada a tierra de acuerdo con los códigos y ordenanzas locales, o en ausencia de códigos locales, de acuerdo con el CÓDIGO NACIONAL DE ELECTRICIDAD (NATIONAL ELECTRICAL CODE), ANSI/NFPA NO. 70, edición más reciente. En caso de no estar seguro de que la lavadora esté correctamente conectada a tierra, consulte a un electricista matriculado.

## REQUISITOS DE SUMINISTRO DE AGUA

Las llaves de paso de agua caliente y fría **DEBEN** encontrarse a 42 pulgadas (107 cm) como máximo de la toma de agua de la lavadora. Las llaves de paso **DEBEN** ser de 3/4" (1.9 cm) y tipo jardín para que se puedan conectar las tuberías de entrada. La presión del agua **DEBE** estar entre 10 y 120 libras por pulgada cuadrada. La compañía de agua puede informarle de la presión del agua. La temperatura del agua caliente se debe establecer para suministrar agua a una temperatura de entre 120° y 140°F (48°– 60°C).

## INSTRUCCIONES DE CONEXIÓN A TIERRA

Este electrodoméstico deberá estar conectado a tierra. En caso de avería o mal funcionamiento, la conexión a tierra reducirá el riesgo de descargas eléctricas al brindar un camino con una resistencia menor para la corriente eléctrica. Este electrodoméstico está equipado con un cable con un conductor para la conexión a tierra del equipo y un enchufe con conexión a tierra. El enchufe deberá estar conectado a un tomacorriente instalado en forma adecuada y con conexión a tierra de acuerdo con todos los códigos y ordenanzas locales.

**ADVERTENCIA** Una conexión inapropiada del conductor de conexión a tierra del equipo puede provocar riesgos de descargas eléctricas. Consulte a un electricista calificado o personal o representantes del servicio técnico si tiene dudas de que el electrodoméstico se encuentre conectado a tierra apropiadamente. **NO** modifique el enchufe en el cable de suministro de corriente. Si no coincide con la toma de corriente, contrate a un electricista calificado para que instale una toma de corriente en forma adecuada.

Si los códigos locales lo requieren, se podrá agregar un cable a tierra externo de cobre de calibre 18 o más grande (no provisto). Adhiera el gabinete de la lavadora con un tornillo de chapa metálica N° 8-18 x 1/2" (disponible en cualquier tienda de repuestos) a la parte trasera de la lavadora, siguiendo la ilustración.

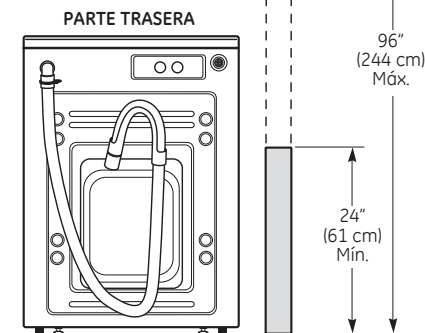
### Instalación en Casas Rodantes:

La instalación se deberá realizar conforme con la Ley de Estándar para Casas Rodantes (Standard for Mobile Homes), ANSI A119.1 y de Estándares Nacionales de Construcción y Seguridad de Casas Rodantes (National Mobile Home Construction and Safety Standards Act) de 1974 (PL93-383).

## REQUISITOS DE DESAGÜE

1. Desagüe capaz de eliminar 17 galones (64,3 l) por minuto.
2. Diámetro mínimo de tubería vertical de 1 1/4" (3,18 cm).
3. La altura de la tubería vertical desde el suelo debe ser:  
Altura mínima: 24" (61 cm)  
Altura máxima: 96" (244 cm)

**NOTA:** La tubería de desagüe de la lavadora puede alcanzar la altura de una tubería vertical de 58" (147 cm). Para una tubería vertical más alta, póngase en contacto con un distribuidor de piezas autorizado.





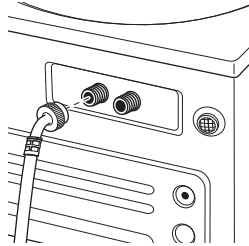
# Instrucciones de instalación

## INSTALACIÓN DE LA LAVADORA

1. Deje correr un poco de agua de los grifos de agua caliente y fría para purgar las tuberías de agua y eliminar las partículas que puedan obstruir las tuberías de entrada y los filtros de la válvula de agua.

2. Obtener las tuberías de entrada a nivel local.

3. Verifique que haya una arandela de goma en el las tuberías. Vuelva a instalar la arandela de goma en el accesorio de la tubería si se ha caído durante el envío. Conecte con cuidado un tubería de entrada a la salida "H" exterior de la válvula de agua. Apriete con la mano y, a continuación, apriete 2/3

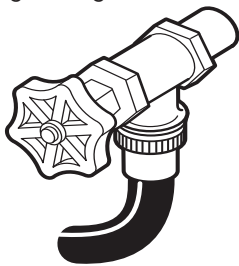


de vuelta con los alicates. Conecte con cuidado la otra tubería de entrada a la salida "C" interior de la válvula de agua. Apriete con la mano y, a continuación, apriete 2/3 de vuelta con los alicates. **No pase las roscas ni apriete excesivamente estas conexiones.**

4. Instalar las arandelas del filtro introduciéndolas en los extremos libres de las tuberías de entrada con el lado que sobresale enfrentando el grifo.



5. Conecte los extremos de la tubería de entrada a las tomas de agua CALIENTE y FRÍA ajustándolos con la mano y, a continuación, apriete de nuevo 2/3 de vuelta con los alicates. Abra la llave de paso y compruebe que no hay ninguna fuga.

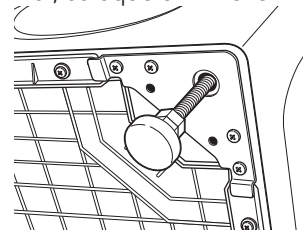


6. Desplace la lavadora con cuidado hasta su ubicación final. Mueva suavemente la lavadora para situarla en su lugar, asegurar las tuberías de entrada no se tuerza. Es importante no dañar las patas niveladoras de caucho al trasladar su lavadora a su ubicación final. Si las patas se dañan podría aumentar la vibración de la lavadora. Podría ser útil rociar el piso con limpiador para ventanas a fin de trasladar más fácilmente su lavadora a su ubicación final. **NOTA:** Para reducir la vibración, asegúrese de que cada una de las cuatro patas niveladoras estén en contacto con el piso. Empuje y tire de la parte posterior derecha y luego de la parte posterior izquierda de su lavadora.

**NOTA:** No utilice el depósito de detergente ni la puerta para levantar la lavadora.

**NOTA:** Si se instala en un depósito de desagüe, puede utilizar una tabla 2x4 de 24 pulgadas de longitud para colocar la lavadora en su lugar haciendo palanca.

7. Una vez situada la lavadora en su posición final, coloque un nivel en la parte superior de la misma (si está instalada debajo de un contador, la lavadora no debería vibrar). Ajuste los soportes de nivelación delanteros hacia arriba o hacia abajo para asegurarse que la lavadora se apoya en una superficie sólida. Gire las contratuerzas de cada soporte hacia la base de la lavadora y apriételas con una llave.



**NOTA:** Mantenga la extensión de los soportes al mínimo para evitar una vibración excesiva. Cuanto más se extiendan los soportes, más vibrará la lavadora.

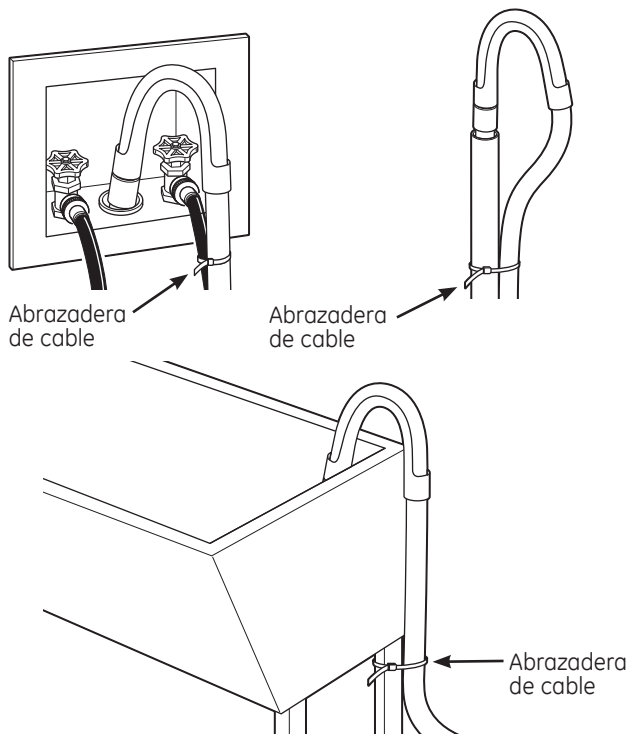
Si el suelo no está nivelado o está dañado, puede que sea necesario extender los soportes de nivelación traseros.

# Instrucciones de instalación

## INSTALACIÓN DE LA LAVADORA (cont.)

8. Coloque la guía de la tubería en forma de U en el extremo de la tubería de desagüe. Coloque la tubería en una pila de lavar o tubería vertical y sujétela con la abrazadera de cable que se proporciona en el paquete adjunto.

**NOTA:** Colocar la manguera de drenaje muy debajo de la tubería de drenaje puede provocar un efecto de sifón. No debe haber más de 7 pulgadas de manguera en la tubería de drenaje. Debe haber un espacio de aire alrededor de la manguera de drenaje. Si la manguera está muy ajustada, también puede provocarse un efecto de sifón.



9. Enchufe el cable de alimentación en una salida de conexión a tierra.

**NOTA:** Asegúrese de que la alimentación está cortada en un interruptor/caja de fusibles antes de enchufar el cable de alimentación a una toma de corriente.

10. Conecte la alimentación a un interruptor/caja de fusibles.
11. Lea el resto del Manual del propietario. Contiene información valiosa y útil que supondrá un ahorro de tiempo y dinero.
12. Antes de poner en funcionamiento la lavadora, asegúrese de comprobar lo siguiente:
- La alimentación está conectada.
  - La lavadora está enchufada.
  - Las llaves de paso están abiertas.
  - La lavadora está nivelada y que cada una de las cuatro patas niveladoras estén en contacto con el piso.
  - Las piezas de sujeción para el transporte se han quitado y guardado.
  - La tubería de desagüe se ha asegurado correctamente.
  - No existe ninguna fuga en la llave de paso, la tubería de desagüe ni la lavadora.
13. Ponga en funcionamiento la lavadora en un ciclo completo. Compruebe que no haya fugas de agua y que funcione correctamente.
14. Si la lavadora no funciona, revise la sección Antes de llamar al servicio de asistencia técnica antes de ponerse en contacto con el servicio de asistencia técnica.
15. Coloque las instrucciones en un lugar próximo a la lavadora para futuras consultas.

## PIEZAS DE REPUESTO

Si se necesitan piezas de repuesto para la lavadora, se pueden solicitar en Estados Unidos a través del sitio Web [GEAppliances.com](http://GEAppliances.com) o llamando a 800.GE.CARES.

## ¿Verdad o Mito?

A continuación figura una lista de verdades y mitos, la cual le ayudará a entender el funcionamiento de su lavadora de carga frontal.		
¿Verdad o Mito?	Respuesta	Explicación
No hay suficiente agua para lavar la ropa de forma adecuada.	MITO	Debido a que las lavadoras de carga frontal no requieren el tubo para llenado de agua, una cantidad significativamente inferior de agua es requerida para lavar y enjuagar cada carga de forma completa. Excepto en ciertos ciclos como <b>Delicates/Handwash</b> (Lavado a Mano) y <b>Basket Clean</b> (Limpieza de Tambor) que utilizan más agua, no verá una línea visible de agua en el vidrio de la puerta.
Mi lavadora de carga frontal podrá agregar tiempo o funcionar con mayor rapidez que el tiempo original exhibido.	VERDAD	De forma ocasional, la lavadora podrá necesitar que se agregue más tiempo al ciclo. Esto se debe principalmente a las redistribuciones de carga automática para un mejor equilibrio de la carga y la reducción de la vibración. Es normal en el funcionamiento de la lavadora agregar tiempo al ciclo para reequilibrar la carga. Causas comunes de cargas desequilibradas o tiempos más prolongados en los ciclos se pueden deber a un filtro de la bomba atascado (consulte la sección <b>Care and Cleaning</b> (Cuidado y Limpieza), que la lavadora esté desequilibrada, o superar los tamaños de carga máxima recomendados.
Debería observar espuma durante el ciclo de lavado en la lavadora de carga frontal.	MITO	Los detergentes HE, que deberían ser los únicos detergentes usados en la lavadora de carga frontal GE, fueron formulados para limpiar de forma efectiva sin generar acumulaciones de espuma. Si agrega detergente hasta que se alcance un nivel de espuma, es posible que esté usando demasiado detergente y que esto afecte de forma negativa el rendimiento de la lavadora. Recuerde que una mayor cantidad de espuma no es equivalente a mayor intensidad en el lavado. Siga las instrucciones del fabricante con relación al uso del detergente HE 
Es mejor lavar cargas completas y telas similares de forma conjunta.	VERDAD	Para obtener mejores resultados, lave múltiples prendas similares de una vez. Lavar una sola prenda puede generar problemas de desequilibrio.
Necesito mantener la lavadora nivelada para un funcionamiento adecuado y para reducir la vibración.	VERDAD	Si la lavadora está desequilibrada, ajuste las patas niveladoras de modo que toquen de manera firme el piso y que las tuercas de bloqueo estén ajustadas de forma segura. Esto es especialmente importante si la lavadora es instalada sobre un pedestal. Nivelar las patas en la lavadora o en el pedestal requiere de los mismos pasos.
Es imposible sobrecargar una lavadora de carga frontal.	MITO	Aunque la capacidad de la lavadora de carga frontal permite cargas mayores a una lavadora de carga superior tradicional, se deberá tener cuidado de no sobrecargar la canasta de lavado. Consulte la sección <b>Loading and Using the Washer</b> (Carga y Uso de la Lavadora) para conocer los tamaños de carga máximos. Sobrecargar la lavadora puede generar una reducción en el rendimiento de lavado y hacer que las ropas queden atrapadas entre la puerta de vidrio y la junta, posiblemente dañando la junta o su ropa.
Si no se limpia de forma periódica, es posible que la canasta de lavado y la junta no mantengan un aroma fresco.	VERDAD	Esto es cierto con todas las lavadoras, no sólo las de carga frontal. Regularmente haga funcionar un ciclo <b>Basket Clean</b> (Limpieza de Tambor) y limpie alrededor de la junta de goma de la puerta. Cuando no se encuentre en uso, podrá dejar la puerta levemente abierta para que el interior de la lavadora se seque con el aire. Se deberá estar especialmente atento si el electrodoméstico es usado por o se encuentra cerca de los niños.
Las lavadoras de carga frontal cuentan con un "filtro de bomba" que debe ser limpiado de forma periódica.	VERDAD	Debido a la naturaleza de la lavadora de carga frontal, a veces es posible que pequeños artículos pasen a la bomba de drenaje. La lavadora cuenta con un filtro que permite capturar prendas perdidas, de modo que no dañen la bomba de drenaje. Para retirar prendas perdidas, limpie el filtro de la bomba (consulte la sección <b>Care and Cleaning</b> (Cuidado y Limpieza)). Indicadores de una bomba atascada son los drenajes prolongados y los tiempos de los ciclos, las ropas mojadas al final de un ciclo, ciclos incompletos o pausas en la lavadora en medio de un ciclo.
No puedo agregar prendas a un ciclo de lavado una vez que éste comenzó.	MITO	Para Agregar prendas una vez iniciado un lavado, presione el botón <b>Start/Pause</b> (Iniciar/ Pausar) - <b>Add a Garment</b> (Agregar una Prenda) y espere hasta que la puerta esté desbloqueada. Es posible que la bomba de drenaje funcione brevemente antes de que la puerta sea desbloqueada. No intente forzar la puerta una vez que se encuentre bloqueada. Una vez que la puerta se desbloquee, abra la misma de forma suave. Agregue prendas, cierre la puerta y presione <b>Start/Pause</b> (Iniciar/ Pausar) para reiniciar el ciclo.
Los artículos olvidados en bolsillos pueden dañar la junta de goma de la puerta.	VERDAD	Esto es cierto con todas las lavadoras de carga frontal. Retire todos los artículos sueltos de sus prendas.

## Antes de llamar al servicio de asistencia técnica...



Consejos para la solución de problemas

¡Ahorre tiempo y dinero! Consulte primero las tablas de las páginas siguientes y quizás no necesite llamar al servicio de asistencia técnica.

Problema	Causas posibles	Solución	
<i>No hay drenaje No hay rotación No hay giro</i>	La carga está desequilibrada	Redistribuya las prendas y accione el drenaje y centrifugado o enjuague y centrifugado Aumente el tamaño de la carga si lava una carga pequeña que contiene elementos pesados y livianos.	
	La bomba está tapada	Ver la página 11 sobre cómo limpiar el filtro de la bomba.	
	La manguera de drenaje está torcida o mal conectada	Enderece la manguera de drenaje y verifique que la lavadora no la esté aplastando.	
	El drenaje de la vivienda puede estar obstruido	Controle la cañería de la vivienda. Quizás deba llamar a un plomero	
	La manguera de drenaje hace efecto sifón; la manguera de drenaje se ha empujado muy profundamente dentro del drenaje	Verifique que haya un espacio de aire entre la manguera y el drenaje	
<i>Fugas de agua</i>	La junta de la puerta está desbalanceada	Revise que la junta esté colocada en su sitio y que no se haya roto. Los objetos dejados en los bolsillos podrían causar daños a la lavadora (clavos, tornillos, lápices, bolígrafos). El agua podría gotear de la puerta cuando la misma está abierta. Esto forma parte del funcionamiento normal. Con cuidado limpie el sellado de goma de la puerta. A veces quedan suciedades o prendas en este sellado y pueden provocarse pequeñas pérdidas.	
	Revise la parte posterior izquierda de la lavadora para verificar si hay presencia de agua	Si esta área se encuentra mojada, existe una condición haya roto. Los objetos dejados en los bolsillos podrían detergente	
	Las tuberías de toma de agua la tubería de desagüe no se han conectado correctamente	Asegúrese de que se han apretado correctamente las conexiones de las tuberías de la lavadora y las llaves de paso y que el extremo de la tubería de desagüe se ha introducido y fijado correctamente al desagüe.	
	Puede que la tubería de desagüe de la vivienda esté obstruida	Compruebe las tuberías de la vivienda. Puede que sea necesario llamar a un plomero.	
	Depósito tapado	El jabón en polvo puede provocar atascos dentro del depósito y hacer que salga agua desde el frente del depósito. Quite el cajón y límpielo, al igual que la parte interna de la caja del depósito. Consulte la sección de Limpieza de la lavadora.	
	Uso incorrecto del detergente	Use sólo detergente HE en la cantidad correcta.	
	Rotura en la caja del depósito	Si la instalación es nueva, controle que no haya roturas en la parte interna de la caja del depósito.	
	<i>Las prendas están muy mojadas</i>	La carga está desequilibrada	Redistribuya las prendas y accione el drenaje y centrifugado o enjuague y centrifugado. Aumente el tamaño de la carga si lava una carga pequeña que contiene elementos pesados y livianos. La máquina reducirá la velocidad del centrifugado a 410 rpm si le cuesta equilibrar la carga. Esta velocidad es normal.
		La bomba está tapada	Ver la página 11 sobre cómo limpiar el filtro de la bomba.
Carga excesiva		El peso seco de la carga debe ser menor a 16 lb.	
La manguera de drenaje está torcida o mal conectada		Enderece la manguera de drenaje y verifique que la lavadora no la esté aplastando	
El drenaje de la vivienda puede estar obstruido		Enderece la manguera de drenaje y verifique que la lavadora no la esté aplastando	
El drenaje de la vivienda puede estar obstruido		Controle la cañería de la vivienda. Quizás deba llamar a un plomero.	
La manguera de drenaje hace efecto sifón; la manguera de drenaje se ha empujado muy profundamente dentro del drenaje.		Verifique que haya un espacio de aire entre la manguera y el drenaje.	
<i>Error o cambios en el control de tiempo</i>		Esto es normal	Durante el giro, es posible que en ocasiones se necesite volver a equilibrar la carga de la lavadora a fin de reducir vibraciones. Cuando esto sucede, se produce como consecuencia una prolongación en el tiempo estimado de lavado.
<i>Cantidad de agua insuficiente</i>	Esto es normal	Las lavadoras horizontales no requieren que el tubo se llene de agua, como sí ocurre con las lavadoras con carga superior.	

Problema	Causas posibles	Solución
<i>Ciclo incompleto o el temporizador no avanza</i>	Redistribución de carga automática	El temporizador agrega 3 minutos al ciclo por cada reequilibrio. Pueden efectuarse 11 o 15 reequilibrios. Esto es una operación normal. No haga nada; la máquina finalizará el ciclo de lavado.
	La bomba está tapada	Ver la página 11 sobre cómo limpiar el filtro de la bomba.
	La manguera de drenaje está torcida o mal conectada	Enderece la manguera de drenaje y verifique que la lavadora no la esté aplastando.
	El drenaje de la vivienda puede estar obstruido	Controle la cañería de la vivienda. Quizás deba llamar a un plomero.
	La manguera de drenaje hace efecto sifón; la manguera de drenaje se ha empujado muy profundamente dentro del drenaje	Verifique que haya un espacio de aire entre la manguera y el drenaje.
<i>Ruido fuerte o inusual; vibración o movimiento</i>	Se mueve el gabinete	La lavadora está diseñada para moverse 1/4" para reducir las fuerzas transmitidas al piso. Este movimiento es normal.
	Las patas de nivelación de goma no tocan el piso firmemente	Presione y tire en la parte trasera derecha y luego en la parte trasera izquierda de su lavadora para verificar que esté nivelada. Si la lavadora está desequilibrada, ajuste las patas de nivelación de goma para que estén firmemente en contacto con el piso y trabadas en su lugar. Su instalador debe corregir este problema.
	Carga desequilibrada	Pausar la unidad, abra la puerta y redistribuya la carga manualmente. Para controlar la máquina, accione el enjuague y centrifugado sin carga. Si es normal, el desequilibrio fue provocado por la carga.
	La bomba está tapada	Ver la página 11 sobre cómo limpiar el filtro de la bomba.
<i>No hay suministro eléctrico/la lavadora no está en funcionamiento</i>	La lavadora está desconectada	Asegúrese de que el cable esté enchufado de manera segura en un enchufe funcional.
	El suministro de agua está cerrado	Abra por completo las llaves de paso de agua fría y caliente.
	El interruptor/fusible se ha quemado/saltado	Compruebe los interruptores/fusibles de la vivienda. Cambie los fusibles o restablezca el interruptor. La lavadora debe tener una toma individual.
	Revisiones automáticas del sistema	La primera vez que se enchufa la lavadora, se efectúan las verificaciones automáticas. Podrían pasar hasta 20 segundos antes de que pueda utilizar su lavadora. Esto forma parte del funcionamiento normal.
<i>Enganchones, agujeros, Ver rotos, rasgaduras o deterioro excesivo</i>	Sobrecargado	No supere los tamaños máximos recomendados de carga. Ver los tamaños máximos recomendados de carga en la página 10.
	Lápices, bolígrafos, clavos, tornillos u otros objetos dejados en los bolsillos	Retire todos los elementos sueltos de los bolsillos.
	Alfileres, broches, corchetes, botones en punta, hebillas de cinturones, cremalleras y objetos puntiagudos olvidados en los bolsillos	<ul style="list-style-type: none"> <li>• Abroche los corchetes, broches, botones y cremalleras.</li> </ul>
<i>La lavadora se detiene o se debe reiniciar o la puerta de la lavadora lavadora está bloqueada y no se abre</i>	Obstrucción de la bomba	Para obtener información sobre la limpieza del Filtro de la Bomba.
<i>La puerta no se destraba o presiona Start (inicio) y la máquina no funciona</i>	Esto es normal	Las lavadoras con tapa frontal comienzan su funcionamiento de manera diferente que las lavadoras con carga superior, y toma 30 segundos realizar un control del sistema. La puerta se bloqueará y desbloqueará.
	Funcionamiento incorrecto	Simplemente abra y cierre la puerta firmemente y luego presione <b>Start</b> (Iniciar).
<i>El agua no ingresa a la lavadora o ingresa muy lentamente</i>	Auto-controles automáticos del sistema	Después de presionar <b>Start</b> (Iniciar), la lavadora realiza varios controles del sistema. El agua comenzará a correr 60 segundos después de presionar <b>Start</b> (Iniciar).
	El suministro de agua está cerrado	Abra por completo los grifos de agua caliente y fría.
	Los filtros de válvula de agua quedaron trabados	Cierre el suministro de agua y quite las mangueras de conexión de agua de la parte superior trasera de la lavadora. Utilice un cepillo o escarbadientes para limpiar los filtros de la máquina. Vuelva a conectar las mangueras y abra el suministro de agua.
	Arandelas del filtro de entrada de agua están obstruidos	Cierre la llave de paso y quite las tuberías de conexión de agua de la parte trasera superior de la lavadora. Utilice un cepillo o un palillo de dientes para limpiar los filtros de la lavadora. Vuelva a conectar las tuberías y abra la llave de paso.

## Antes de llamar al servicio de asistencia técnica...

Problema	Causas posibles	Solución
Formación de arrugas	Clasificación inadecuada	No mezcle elementos pesados (como prendas de trabajo) con prendas livianas (como blusas).
	Carga excesiva	Load your washer so clothes have enough room to move freely.
	Ciclo de lavado incorrecto	Coincida la selección del ciclo con el tipo de tela que está lavando (especialmente para cargas de cuidado fácil).
	Lavados repetidos en agua demasiado caliente	Lave con agua tibia o fría.
Prendas grises o amarillentas	No se colocó suficiente detergente	Use la cantidad correcta de detergente.
	No se usó detergente HE (alta eficiencia)	Use sólo detergente HE.
	Agua dura	Utilice agua caliente segura para las telas.
		Utilice un acondicionador de agua como Calgon o instale un suavizante de agua.
	El agua no está lo suficientemente caliente	Verifique que el calentador de agua esté suministrando agua a 120°-140°F (48°-60°C).
	El detergente no se disuelve	Pruebe con un detergente HE líquido.
Transferencia de colores	Divida las prendas por color. Si la etiqueta de la tela dice "lavar por separado", puede indicarse colores inestables.	
Manchas de color	Uso incorrecto del suavizante de telas	Consulte el paquete del suavizante de telas sobre las instrucciones y siga las indicaciones de uso del depósito.
	Dye transfer	Separe los blancos o los colores claros de los colores oscuros.
		Quite rápidamente la carga de la lavadora.
La temperatura del agua es incorrecta	El suministro de agua está mal conectado	Verifique que las mangueras estén conectadas a los grifos correctos
	El calentador de agua de la vivienda no está bien configurado	Verifique que el calentador de agua de la vivienda esté suministrando agua a 120°-140°F (48°-60°C).
Pequeña variación del color metálico	Esto es normal	Debido a las propiedades metálicas de la pintura utilizada con este producto único, pueden ocurrir pequeñas variaciones de color debido ángulos de visualización y condiciones de iluminación.
Mal olor dentro de la lavadora	La lavadora no se usó durante un período prolongado, no se utiliza una calidad recomendada de detergentes HE (alta eficiencia) o se está usando demasiado detergente	Haga funcionar un ciclo <b>Basket Clean</b> (Limpieza de tambor).
		En caso de un fuerte olor, puede necesitarse el funcionamiento del ciclo <b>Basket Clean</b> (Limpieza de tambor) más de una vez.
		Use sólo la cantidad de detergente recomendada en el recipiente del detergente.
		Use sólo detergente HE (alta eficiencia).
Pérdida de detergente	Ubicación incorrecta de la pieza del detergente	Asegúrese de que la pieza del detergente esté bien ubicado y colocado. Nunca coloque detergente sobre la línea máxima de llenado.
	Esto es normal	Es normal ver una pérdida de detergente sobre la junta de la puerta alrededor de 20 segundos después de llenar el depósito.
Dosificación inadecuada de suavizante o blanqueador	Depósito tapado	Monthly clean the dispenser drawer to remove buildup of chemicals.
	Se colocó suavizante o blanqueador por encima de la línea máxima de llenado.	Asegúrese de contar con la cantidad correcta de suavizante o blanqueador.
	Problemas con el suavizante o la tapa del blanqueador	Verifique que el suavizante o la tapa del blanqueador estén bien colocados en el depósito o no funcionarán.
El cajón dispensador no dispensa de forma adecuada	El paquete de detergente para ropa sucia se colocó en el cajón dispensador	Los paquetes de detergente de ropa sucia no deberían ser usados en el dispensador. Sólo se deberían agregar directamente a la canasta de la lavadora, siguiendo las instrucciones del fabricante.
La bomba funciona mientras la lavadora no se encuentra en uso	Atascada en el drenaje del sumidero	Esto es normal. El drenaje del sumidero está detectando un nivel de llenado de agua no deseado desde un grifo posiblemente abierto. Cierre la válvula de agua e inspeccione que no haya bloqueos en la misma.

# Garantía de la lavadora GE. (Para clientes de Estados Unidos)



Todos los servicios de garantía se ofrecen a través de nuestros centros de asistencia técnica o un técnico autorizado de Customer Care®. Para programar servicio de asistencia técnica en línea, visite la página [GEAppliances.com](http://GEAppliances.com) o llame al 800.GE.CARES (1.800.432.2737). Cuando llame para solicitar servicio, por favor tenga a mano el número de serie y el número de modelo.

Engrape el recibo aquí. Se necesita el comprobante con la fecha de compra original para que la garantía cubra los servicios.

Período:	Se sustituirá:
<b>Un año</b> A partir de la fecha de adquisición original	<b>Cualquier</b> pieza de la lavadora que falle debido a un defecto en los materiales o la fabricación. Durante este <b>garantía limitada de un año</b> , GE correrá además, <b>sin cargo alguno</b> , con todos los gastos de mano de obra y reparación relacionados para sustituir la pieza defectuosa.

## Exclusiones de la garantía (en Estados Unidos):

- Visitas de servicio a domicilio para mostrarle cómo utilizar el producto.
- Instalación, envío o mantenimiento incorrectos.
- Fallas del producto por manipulación, uso incorrecto o distinto al destinado o previsto comercialmente.
- Sustitución de los fusibles de la vivienda o restablecimiento de los interruptores.
- Productos que no están defectuosos o dañados o que funcionan según la descripción del Manual del propietario e instalación.
- Daños causados por accidentes, incendios, inundaciones o fenómenos naturales.
- Daños emergentes o fortuitos causados por posibles defectos del electrodoméstico.
- Defectos o daños causados por la operación en temperaturas bajo cero C.
- Daños tras la entrega.
- Producto no accesible para facilitar el servicio requerido.

**EXCLUSIÓN DE GARANTÍAS IMPLÍCITAS—Su único y exclusivo derecho es la reparación del producto, tal y como se indica en esta Garantía limitada. Cualquier garantía implícita, incluyendo las garantías implícitas de comerciabilidad o adecuación para un fin determinado, están limitadas a un año o el período de tiempo más breve permitido por la ley.**

Esta garantía se extiende al comprador original y cualquier comprador posterior de productos comprados para uso residencial dentro de los Estados Unidos. Si el producto está situado en un área que no dispone de servicio por parte de un proveedor de servicio autorizado de GE, podría tener que hacerse cargo de los costes de envío o bien podría solicitarse que lleve el producto a un centro de servicio de GE autorizado para realizar la reparación. En Alaska, la garantía excluye el costo de envío o las visitas de servicio a su casa.

Algunos estados no permiten la exclusión o las limitaciones de daños incidentales o consecuenciales. Esta garantía da derechos legales específicos, y usted podría tener otros derechos que varían de estado a estado. Para saber cuáles son sus derechos legales, consulte a la oficina de asuntos del consumidor local o la oficina del Procurador (Attorney General) en su localidad.

**Garante: General Electric Company. Louisville, KY 40225**

## Servicio al consumidor.

---



### *Página Web de GE Appliances*

**GEAppliances.com**

¿Tiene alguna pregunta sobre su electrodoméstico? ¡Pruebe la página Web de GE Appliances 24 horas al día, cualquier día del año! Para mayor conveniencia y servicio más rápido, ya puede descargar los Manuales de los Propietarios, pedir piezas o incluso hacer una cita en línea para que vengan a realizar una reparación.



### *Solicite una reparación*

**GEAppliances.com**

El servicio de expertos GE está a tan sólo un paso de su puerta. ¡Entre en línea y solicite su reparación cuando le venga bien cualquier día del año! O llame al 800.GE.CARES (800.432.2737) durante horas normales de oficina.



### *Real Life Design Studio (Estudio de diseño para la vida real)* **GEAppliances.com**

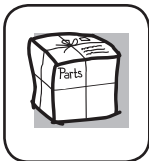
GE apoya el concepto de Diseño Universal—productos, servicios y ambientes que pueden usar gente de todas las edades, tamaños y capacidades. Reconocemos la necesidad de diseñar para una gran gama de habilidades y dificultades físicas y mentales. Para más detalles sobre las aplicaciones de GE Diseño Universal, incluyendo ideas de diseño para la cocina para personas con discapacidades, mire nuestra página Web hoy mismo. Para personas con dificultades auditivas, favor de llamar al 800.TDD.GEAC (800.833.4322).



### *Garantías ampliadas*

**GEAppliances.com**

Compre una garantía ampliada y obtenga detalles sobre descuentos especiales disponibles mientras su garantía está aún activa. Puede comprarla en línea en cualquier momento, o llamar al (800.626.2224) durante horas normales de oficina. GE Consumer Home Services estará aún ahí cuando su garantía termine.



### *Piezas y accesorios*

**GEApplianceParts.com**

Aquellos individuos con la calificación necesaria para reparar sus propios electrodomésticos pueden pedir que se les manden las piezas o accesorios directamente a sus hogares (aceptamos las tarjetas VISA, MasterCard y Discover). Haga su pedido en línea hoy, 24 horas cada día o llamar por teléfono al 800.626.2002 durante horas normales de oficina.

Las instrucciones descritas en este manual cubren los procedimientos a seguir por cualquier usuario. Cualquier otra reparación debería, por regla general, referirse a personal calificado autorizado. Debe ejercerse precaución ya que las reparaciones incorrectas pueden causar condiciones de funcionamiento inseguras.



### *Póngase en contacto con nosotros*

**GEAppliances.com**

Si no está satisfecho con el servicio que recibe de GE, póngase en contacto con nosotros en nuestra página Web indicando todos los detalles así como su número de teléfono o escríbanos a:

General Manager, Customer Relations  
GE Appliances, Appliance Park  
Louisville, KY 40225



### *Registre su electrodoméstico*

**GEAppliances.com**

**¡Registre su nuevo electrodoméstico en línea—cuando usted prefiera!** El registrar su producto a tiempo le proporcionará, si surgiera la necesidad, una mejor comunicación y un servicio más rápido bajo los términos de su garantía. También puede enviar su tarjeta de registro pre-impresa que se incluye en el material de embalaje o recorte y use el formulario de este Manual del Propietario.