

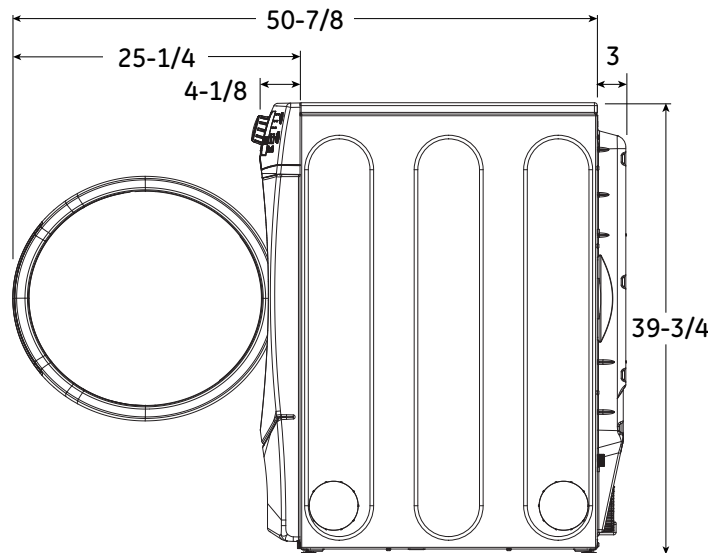
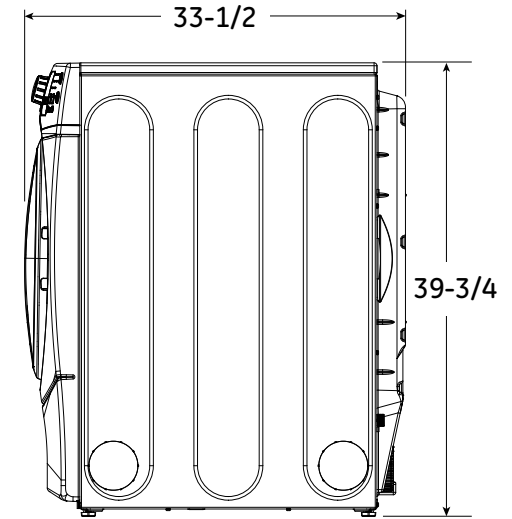
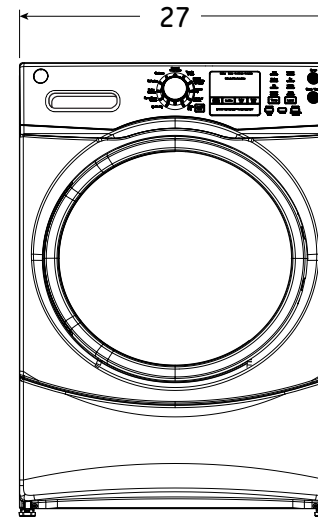
GFWS1700H/1705H

GE® ENERGY STAR® 4.3 DOE cu. ft. stainless steel capacity front load washer with Steam

Dimensions and Installation Information (in inches)

Electric Rating	
120V	12.0A, 60Hz

Installation Information: For complete information, see installation instructions packed with your washer.



For answers to your Monogram® Profile Series or GE appliance questions, visit our website at geappliances.com or call GE Answer Center® service, 800.626.2000.



imagination at work



Listed by
Underwriters
Laboratories

Specification Created 4/14

GFWS1700H/1705H

GE® ENERGY STAR® 4.3 DOE cu. ft. stainless steel capacity front load washer with Steam

Special Installation Requirements:

Stacked Installation:

- Brackets for stacking dryer over washer are not included with the washer. Order part no. GEFLSTACK or part no. WE25X10018.

Alcove or Closet Installation:

- If your dryer is approved for installation in an alcove or closet, it will be stated on a label on the dryer back.
- The dryer MUST be exhausted to the outside.
- Minimum clearances between dryer cabinet and adjacent walls or other surfaces are: 0" either side, 3" front and rear
- Minimum vertical space from floor to overhead cabinets, ceilings, etc. is 52".
- Closet doors must be louvered or otherwise ventilated and must contain a minimum of 60 sq. in. of open area equally distributed. If this closet contains both a washer and a dryer, doors must contain a minimum of 120 sq. in. of open area equally distributed.
- No other fuel-burning appliance shall be installed in the same closet with a gas dryer.

Bathroom or Bedroom Installation:

- The dryer MUST be exhausted to the outdoors.
- The installation must conform with the local codes, or in the absence of local codes, with the National Electric Code and National Fuel Gas Code, ANSI Z223.

Minimum Clearance other than Alcove or Closet Installations:

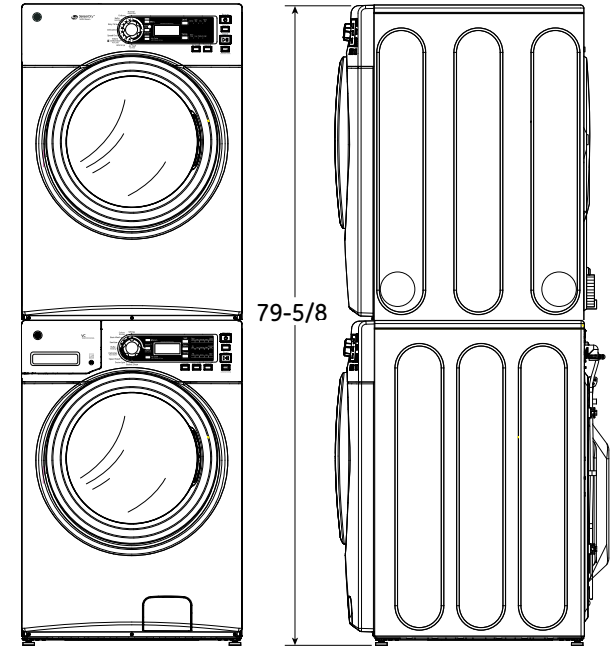
- Minimum clearances to combustible surfaces 0" both sides, 3" rear.

For more information on venting kits and accessories, please call 1-800-GE-CARES.

For answers to your Monogram® Profile Series or GE appliance questions, visit our website at geappliances.com or call GE Answer Center® service, 800.626.2000.



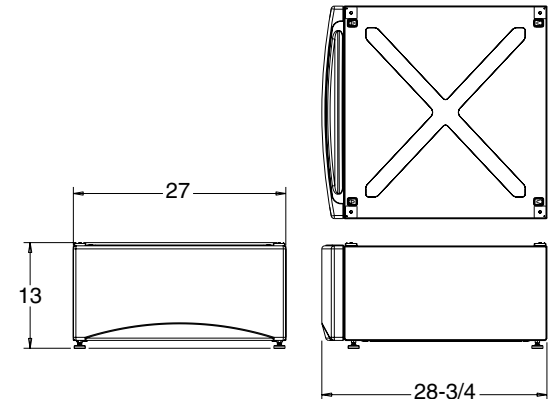
Stacked Dimensions (in inches)



Pedestal Dimensions (in inches)

SBSD137HWW - white

This optional 13" pedestal raises the door opening and height of the washer or dryer. Feet on 13" pedestal allow it to adjust to 13-3/8" height.

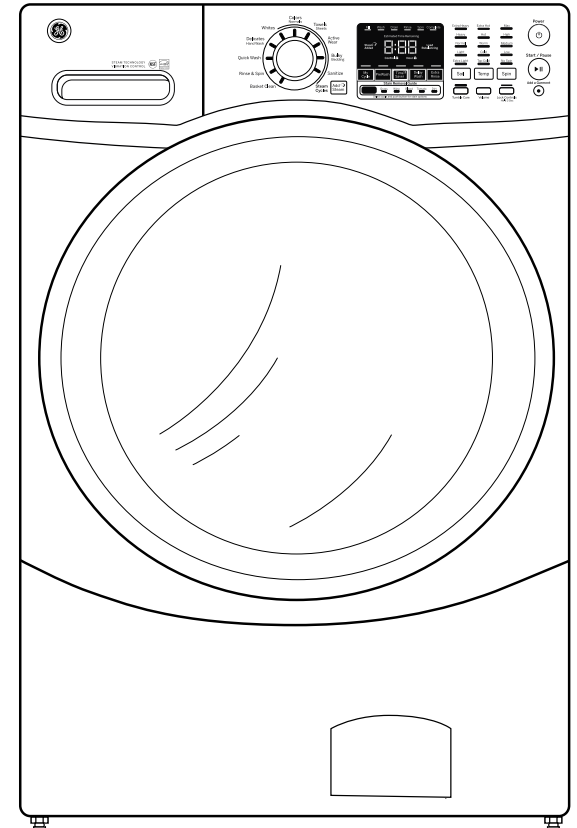


GFWS1700H/1705H

GE® ENERGY STAR® 4.3 DOE cu. ft. stainless steel capacity front load washer with Steam

Features and Benefits

- Time saver - An option that will reduce overall wash time on most cycles by at least 20% without sacrificing wash performance
- Extended tumble - Freshly tumbles your garments periodically for up to 8 hours when unable to move clothing to the dryer right away
- Steam Assist - Penetrates deep into fabric fibers, loosening stains like tomato and grass, yet protects your fabric
- Stain Removal Guide - Clean 5 of the most common stains with preprogrammed settings that modify any cycle to help remove blood, tomato, wine, dirt and grass
- 1300-RPM spin speed - Fast spin speeds remove water efficiently and minimize dry time
- Internal water heater - Increases wash temperature to reduce bacteria and provide better cleaning for the really tough stains
- Bulky Bedding cycle - Washes larger items, such as comforters, blankets and jackets
- My Cycle - Create your favorite cycles for your specific clothes-care needs
- Vibration Control - Adjusts spin patterns for each floor type for a smoother wash without walking or shaking
- Model GFWS1700HWW - White
- Model GFWS1705HDG - Diamond Gray



iModified Energy Factor (iMEF)	2.65
iWater Factor (iWF)	2.6



imagination at work

