



Washer/Dryer

Safety Instructions 2-5

Operating Instructions

Care and Cleaning
of the Dryer 12

Care and Cleaning
of the Washer 9

Control Panel Dryer 10

Control Panel Washer 6

Control Settings Dryer 10

Control Settings Washer 6, 7

Features Washer 8

Loading and Using
the Dryer 13

Loading and Using
the Washer 9

Troubleshooting

Troubleshooting Washer 14-16

Troubleshooting Dryer 17, 18

Consumer Support

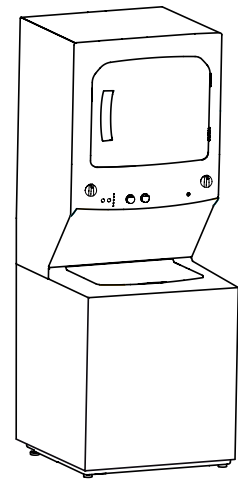
Consumer Support 20

Warranty 19

Owner's Manual

GUD24
GUD27
GUD37

English/Français/Español



Write the model and serial number here:

Model # _____

Serial # _____

Open Dryer door for Model and Serial number tag.



189D7218P005
49-90532 11-14 GE Printed in Mexico


IMPORTANT SAFETY INFORMATION.

READ ALL INSTRUCTIONS BEFORE USING.


 This is the safety alert symbol. This symbol alerts you to potential hazards that can kill you or hurt you and others. All safety messages will follow the safety alert symbol and the word "DANGER", "WARNING", or "CAUTION". These words are defined as:

 **DANGER** Indicates a hazardous situation which, if not avoided, **will** result in death or serious injury.

 **WARNING** Indicates a hazardous situation which, if not avoided, **could** result in death or serious injury.

 **CAUTION** Indicates a hazardous situation which, if not avoided, **could** result in minor or moderate injury.

IMPORTANT SAFETY INSTRUCTIONS

 **WARNING** To reduce the risk of death, fire, explosion, electric shock, or injury to persons when using your appliance, follow basic precautions, including the following:

- Read all instructions before using the appliance.
- DO NOT wash or dry articles that have been previously cleaned in, washed in, soaked in or spotted with gasoline, dry-cleaning solvents, or other flammable or explosive substances, as they give off vapors that could ignite or explode.
- DO NOT place items exposed to cooking oils in your dryer. Items contaminated with cooking oils may contribute to a chemical reaction that could cause a load to catch fire.
- DO NOT add gasoline, dry-cleaning solvents, or other flammable or explosive substances to the wash water. These substances give off vapors that could ignite or explode.
- Under certain conditions, hydrogen gas may be produced in a hot-water system that has not been used for 2 weeks or more. HYDROGEN GAS IS EXPLOSIVE. If the hot water system has not been used for such a period, before using a washing machine, turn on all hot-water faucets and let the water flow from each for several minutes. This will release any accumulated hydrogen gas. As the gas is flammable, DO NOT smoke or use an open flame during this time.
- DO NOT allow children to play on or in this appliance. Close supervision of children is necessary when this appliance is used near children. Before the appliance is removed from service or discarded, remove the door and lid to the drying and washing compartments. Failure to follow these instructions may result in death or injury to persons.
- DO NOT reach into the appliance if the drum, tub or agitator is moving to prevent accidental entanglement.
- DO NOT use heat to dry articles containing foam rubber or similarly textured rubber-like materials.
- Clean lint screen before or after each load. DO NOT operate the dryer without the lint filter in place.
- DO NOT use fabric softeners or products to eliminate static unless recommended by the manufacturer of the fabric softener or product.
- Do not store combustible materials, gasoline or other flammable liquids near the dryer. Keep area around the exhaust opening and adjacent surrounding areas free from the accumulation of lint, dust and dirt. Keep dryer area clear and free from items that would obstruct the flow of combustion and ventilation air.
- The interior of the appliance and exhaust duct should be cleaned periodically by qualified service personnel.
- DO NOT install or store this appliance where it will be exposed to the weather.
- DO NOT tamper with controls, repair or replace any part of this appliance or attempt any servicing unless specifically recommended in the user maintenance instructions or in published user repair instructions that you understand and have the skills to carry out.
- DO NOT operate this appliance if it is damaged, malfunctioning, partially disassembled, or has missing or broken parts including a damaged cord or plug.

IMPORTANT SAFETY INSTRUCTIONS

- Unplug the appliance or turn off the circuit breaker before servicing. Pressing the **Power** or **Start/Pause** button DOES NOT disconnect power.
- DO NOT spray any type of aerosol into, on or near appliance, at any time. Do not use any type of spray cleaner when cleaning dryer interior. Hazardous fumes or electrical shock could occur.
- Do not store items that may burn or melt (such as clothing, paper material, plastics or plastic containers, etc) on top of the appliance nor hang them from the door.
- Never climb on or stand on this stacked unit.
- See "Electrical Requirements" located in the Installation Instructions for grounding instructions.

SAVE THESE INSTRUCTIONS

ADDITIONAL GAS DRYER WARNINGS



WARNING For your safety, the information in this manual must be followed to minimize the risk of fire or explosion or to prevent damage, personal injury, or death.

- DO NOT store or use gasoline or other flammable vapors and liquids in the vicinity of this or any other appliance.
- WHAT TO DO IF YOU SMELL GAS:
 - DO NOT try to light any appliance.
 - DO NOT touch any electrical switch; DO NOT use any phone in your building.
 - Clear the room, building, or area of any occupants.
 - Immediately call your gas supplier from a neighbor's phone. Follow the gas supplier's instructions.
 - If you cannot reach your gas supplier, call the fire department.
- Installation and service must be performed by a qualified installer, service agency, or the gas supplier.

State of California Proposition 65 Warnings:

The California Safe Drinking Water and Toxic Enforcement Act requires the governor of California to publish a list of substances known to the state to cause cancer, birth defects or other reproductive harm and requires businesses to warn of potential exposure to such substances.



WARNING This product contains one or more chemicals known to the State of California to cause cancer, birth defects or other reproductive harm.

Gas appliances can cause low-level exposure to some of these substances, including benzene, carbon monoxide, formaldehyde and soot, caused primarily by the incomplete combustion of natural gas or LP fuels. Exposure to these substances can be minimized by properly venting the dryer to the outdoors.

SAVE THESE INSTRUCTIONS

IMPORTANT SAFETY INFORMATION. READ ALL INSTRUCTIONS BEFORE USING.

PROPER INSTALLATION



This washer must be properly installed and located in accordance with the Installation Instructions before it is used. If you did not receive an Installation Instructions, you can receive one by visiting GEAppliances.com or by calling **800.GE.CARES** (800.432.2737). In Canada, visit www.geappliances.ca or call **800.561.3344**.

- Ensure that the hot water hose is connected to the “H” valve and the cold water hose is connected to the “C” valve.
- Install or store where it will not be exposed to temperatures below freezing or exposed to the weather, which could cause permanent damage and invalidate the warranty.
- Properly ground washer to conform with all governing codes and ordinances. Follow details in Installation Instructions.

WARNING - Electrical Shock Hazard

Plug into a grounded 3 prong outlet.

DO NOT remove ground prong.

DO NOT use an adapter.

DO NOT use an extension cord.

Failure to do so can result in death, fire or electrical shock.

- This washer does include water supply hoses.

GE strongly recommends the use of factory specified parts. A list of factory hoses available for purchase are listed below. These hoses are manufactured and tested to meet GE specifications.

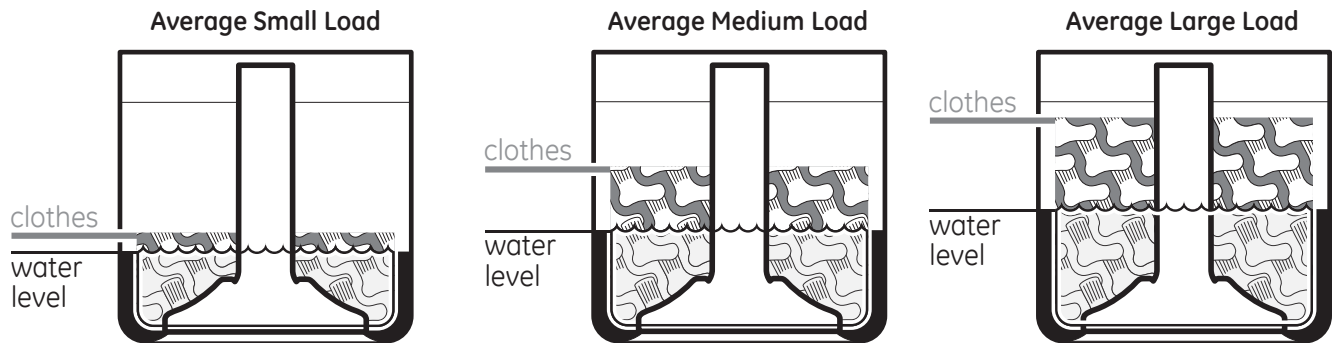
GE strongly recommends the use of new water supply hoses. Hoses degrade over time and need to be replaced every 5 years to reduce the risk of hose failures and water damage.

Parts and Accessories

Order on-line at GEApplianceparts.com today, 24 hours a day or by phone at 800.626.2002 during normal business hours. In Canada, visit your local GE parts distributor or call 800.661.1616.

Part Number	Accessory
PM14X10002	4 ft Rubber Water Supply Hoses
Or	
PM14X10005	4 ft Braided Metal Water Supply Hoses
WX10X10011	Tide® Washing Machine Cleaner*
PM7X1	Washer Floor Tray

WASHER CAPACITY:



WHEN NOT IN USE

- Turn off water faucets to minimize leakage if a break or rupture should occur. Check the condition of the fill hoses; GE recommends changing the hoses every 5 years.

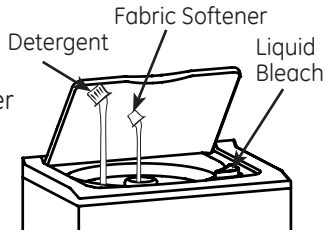
SAVE THESE INSTRUCTIONS

About the Washer control panel.

Quick Start Guide

STEP 1

- Add detergent
- Add fabric softener (optional)
- Add bleach (optional).



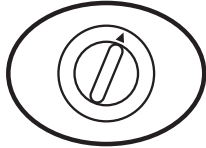
STEP 2

- Add clothes



STEP 3

- Select load size and other wash options
- Select wash cycle



STEP 4

- Close lid
- Push **Start**

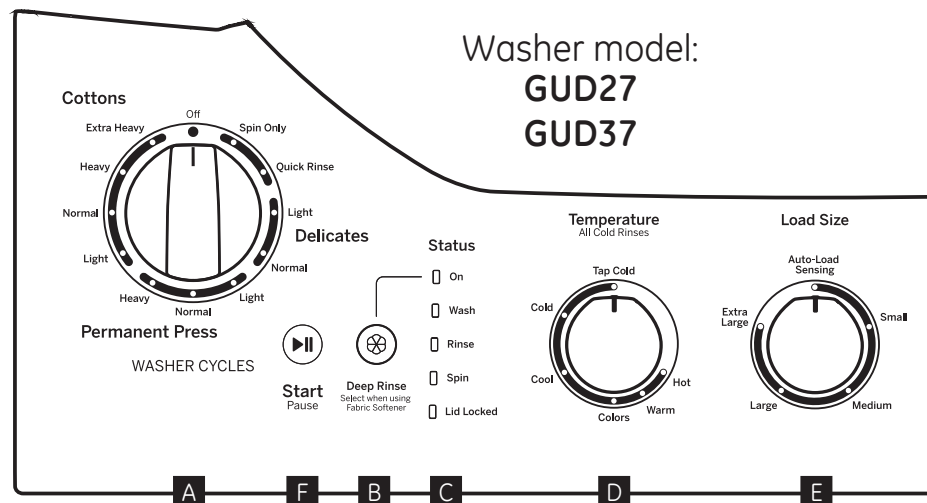
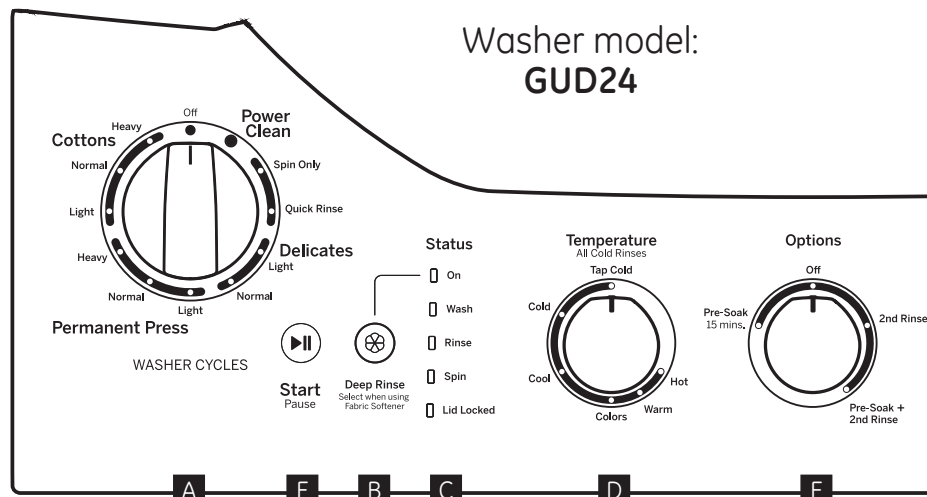


LID LOCKED

Your washer has a security system that prevents opening the lid during the spin cycle. The lid lock prevents anyone (especially children) from reaching into the washer while the basket is spinning. The lid lock will be released within 5 seconds after the basket stops spinning.

Trying to open the lid while locked could result in injuries. If the lid does not unlock after spinning, please contact service.

NOTE: If there is a power outage the lid lock can take 3 minutes to release.



Note: This appliance is designed so that the washer and dryer can be operated at the same time.

A Wash Cycle Selector

The wash cycle controls the length and intensity of the washing process. The knob can be turned in either direction. Turning the Cycle Selector knob after starting a cycle will stop the washer and reset the cycle to the new selection. Press **Start** to begin the new cycle selection.

The chart below will help you match the wash cycle setting with your clothing. The chart is ranked from longest to shortest cycle time and wash intensity. (Cycles vary by model.)

Power Clean - Uses more water than standard wash cycles. It is recommended for extra-large loads and heavily soiled clothes.

Cottons - For heavy to lightly soiled cottons, household linens, work and play clothes.

Permanent Press - For wrinkle-free and permanent press items, and knits.

Delicates - For lingerie and special-care fabrics with light to normal soil.

Quick Rinse - Rinses and spins non-soiled items where a rinse only is desired.

Spin Only - For draining the tub and spinning water out of clothes.

Off - Washer is turned off and the **Start** button does not function.

NOTE: When the control is turned to **OFF**, the **Status** lights are off.

NOTE: The cycle selector does not rotate during the operation of the washer.

B Deep Rinse

Set this option when adding fabric softener to the washer.

C Status lights

The **Status** lights show the stage the washer is in. When the selector knob is set to a new cycle, the **Status** lights will flash momentarily, showing the stages the cycle will go through.

Status light	Illuminates
On	When the fabric softener option has been selected.
Wash	When the washer is in the wash portion of the cycle.
Rinse	When the washer is in the rinse portion of the cycle.
Spin	When the washer draining and/or spinning.
Lid Locked	When the washer lid is locked. This feature prevents the lid from being opened while the washer is in the spin cycle or coasting to a stop.

NOTE: If the **Status** lights are blinking, the operation of the washer has been paused. To resume operation press the **Start** button (the lid must be closed).

D Temperature

Select the water temperature for the wash cycle (all rinses use cold water). Always follow fabric manufacturer's care label or instructions when laundering.

Tap Cold* uses incoming tap water, which can provide energy savings. For all other temperature selections, a mixture of hot and cold water is used to achieve the ideal temperature for each temperature setting.

Please note that some detergents do not fully dissolve in very cold water. If you experience this, it is recommended you choose a setting other than **Tap Cold.*

E Load Size

Loosely load clothes no higher than the top row of holes in the washer basket.

Auto Load Sensing- This selection automatically provides the correct amount of water suited to the size and type of load placed in the unit.

F Start

Press **Start** to begin the cycle. With the lid closed pressing **Start** again will pause the cycle and **Status** lights will blink. To continue the cycle, close the lid and press **Start** again. The water fill will continue with the lid opened, except when **Auto Load Sensing** is selected as the load size. (The lid **must be closed** to continue filling when **Auto Load Sensing** is selected.)

If the lid is opened during the cycle, the cycle will pause and the **Status** lights will blink. To resume the cycle, close the lid and press **Start**.

If the machine is paused for more than 24 hours, the cycle will be cancelled. To stop the cycle, turn the Cycle Selector to the **Off** position.

About the Washer features.



The Fabric Softener Dispenser

The *fabric softener dispenser* automatically releases liquid fabric softener at the proper time during the cycle.

Do not stop the washer during the first spin. This will cause the dispenser to empty too soon.

To use, follow these steps:

- 1 Make sure dispenser is securely attached to .
- 2 Use only diluted liquid fabric softener. Pour into dispenser, using amount recommended on package.

Never pour fabric softener directly on clothes. It may stain them.

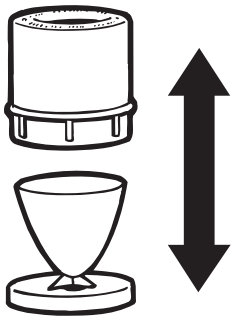
NOTE: Do **not** pour bleach into **FABRIC SOFTENER** dispenser.

- 3 Add water to dispenser until it reaches the maximum fill line.



Do not pour anything into the agitator if the dispenser is removed.

- 4 Select **FABRIC SOFTENER** button on control panel for proper dispersion of the fabric softener.



Separate for cleaning

Cleaning the Fabric Softener Dispenser

- 1 Remove the dispenser from the top of the agitator.
- 2 Separate the dispenser cup from the cover by grasping the top and pushing down on the inside of the cup with your fingers. Dispenser cup will pop free from the cover.
- 3 To clean the dispenser, soak both the dispenser cup and the dispenser cover in the following solution:
 - 1 US gallon (3.8 liters) warm water
 - 1/4 cup (60 ml) heavy-duty liquid detergent
 - 1 cup (240 ml) bleach
- 4 If necessary, loosen buildup with a clean, soft cloth after soaking. Do not use a stiff brush; you may roughen the surface of the dispenser.
- 5 Rinse and reassemble dispenser. Place dispenser back on the agitator.

Liquid Bleach Funnel

The water fill dilutes liquid chlorine bleach as the washer fills for the wash cycle.

- 1 Check clothing care labels for special instructions.
- 2 Measure liquid bleach carefully, following instructions on the bottle.
 - Never pour undiluted liquid chlorine bleach directly onto clothes or into the wash basket.
 - Do not pour powdered bleach into bleach funnel.
- 3 Before starting the washer, pour measured amount of bleach directly into bleach funnel. Avoid splashing or over-filling dispenser. If you prefer to use powdered bleach, add it into the wash basket with your detergent.
 - Do not mix chlorine bleach with ammonia or acids such as vinegar and/or rust remover. Mixing can produce a toxic gas which may cause death.

NOTE: Do **not** pour bleach into **FABRIC SOFTENER** dispenser.



Loading and using the washer.

Always follow fabric manufacturer's care label when laundering.

GEAppliances.com



Sorting Wash Loads

Sort by color (whites, lights, colors), soil level, fabric type (sturdy cottons, easy care, delicates) and whether the fabric produces lint (terry cloth, chenille) or collects lint (velveteen, corduroy).

WARNING - Fire Hazard

Never place items in the washer that are dampened with gasoline or other flammable liquids. No washer can completely remove oil. Do not dry anything that has ever had any type of oil on it (including cooking oils). Doing so can result in death, explosion, or fire.



Loading the Washer

Load dry items loosely, no higher than the top row of holes in the washer basket. When loading wet items, make sure you set the load/water level high enough to allow the items to move freely. Water level should just cover the clothes. To add items after washer has started, lift the lid and submerge additional items next to the agitator.

- Do not wrap long items like sheets or pants around the agitator.
- Do not wash fabrics containing flammable materials (waxes, cleaning fluids, etc.).
- Agitation will not start with the lid up.



Proper Use of Detergent

Add detergent and start the washer before adding clothes so that the detergent can work effectively. Using too little or too much detergent is a common cause of laundry problems.

You can use less detergent if you have soft water, a smaller load or a lightly soiled load.

Care and cleaning of the washer.



Wash Basket: Leave the lid open after washing to allow moisture to evaporate. If you want to clean the basket, use a clean soft cloth dampened with liquid detergent; then rinse. (Do not use harsh or gritty cleaners.)

Fill Hoses: GE recommends changing the hoses every 5 years.

Exterior: Immediately wipe off any spills. Wipe with damp cloth. Try not to hit surface with sharp objects.

Moving and Storage: Ask the service technician to remove water from drain pump and hoses. See the Installation Instructions packed with product for information on how to reinstall the shipping rod to keep the tub stationary when moving the washer. For more information, visit GEAppliances.com or call 800.GE.CARES (800.432.2737).

In Canada, visit GEAppliances.ca or call 800.561.3344. Do not store the washer where it will be exposed to the weather.

Long Vacations: Be sure water supply is shut off at faucets. Drain all water from hoses if weather will be below freezing.

About the Dryer control panel.

⚠️ WARNING!

To reduce the risk of fire, electric shock, or injury to persons, read the **IMPORTANT SAFETY INSTRUCTIONS** before operating this appliance.

⚠️ WARNING



Explosion Hazard

Keep flammable materials and vapors, such as gasoline, away from dryer.
DO NOT dry anything that has ever had anything flammable on it (even after washing).
Failure to do so can result in death, explosion, or fire.

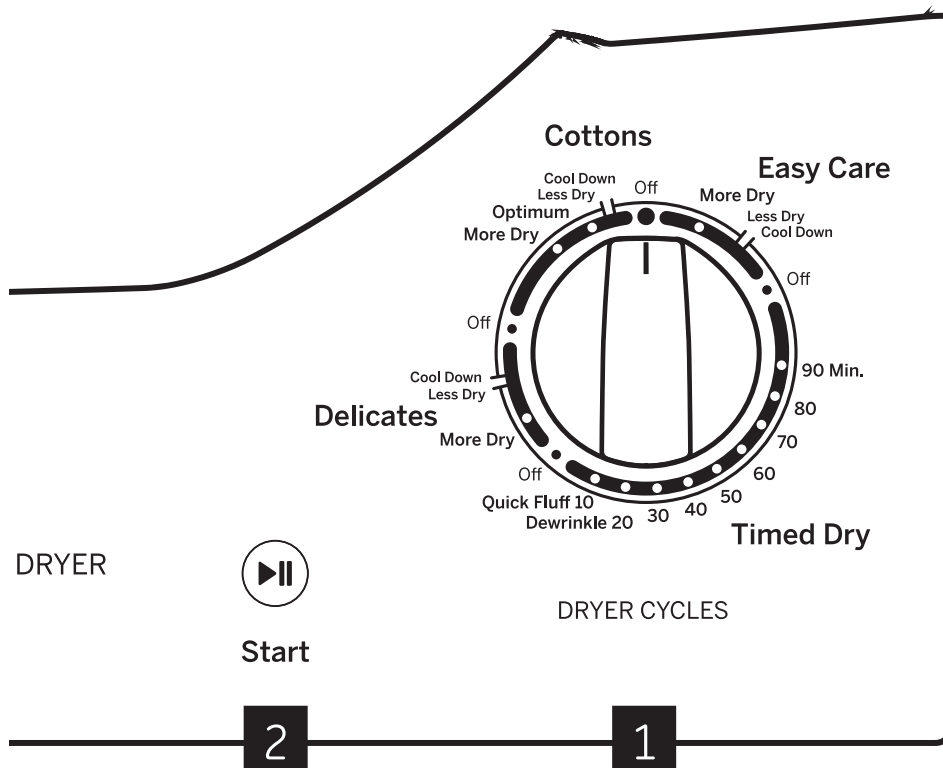
⚠️ WARNING



Fire Hazard

No washer can completely remove oil.
Do not dry anything that has ever had any type of oil on it (including cooking oils).
Items containing foam, rubber, or plastic must be dried on a clothesline or by using an air dry cycle.
Failure to follow these instructions can result in death or fire.

Throughout this manual, features and appearance may vary from your model.



Note: This appliance is designed so that the washer and dryer can be operated at the same time.

IMPORTANT: Clean the lint filter each time you use the dryer

1 Fabric Care/Temperature

Cottons	For regular to heavy cottons.
Delicates	For delicates, synthetics and items labeled tumble dry low.
EASY Care	For synthetics, blends, delicates and items labeled permanent press.
Quick Fluff	For <i>fluffing</i> items without heat. Use the Timed Dry cycle.

Drying Cycles

Cottons	For cottons and most linens. For most loads, select Optimum Dry .
Delicates	For delicate items, special-care fabrics and knits.
Easy Care	For wrinkle-free, permanent press and delicate items, and knits.
Timed Dry	Set the Cycle Selector at the desired drying time.
Dewrinkle	For removing wrinkles from items that are clean and dry or that are very lightly damp.
Quick Fluff	For freshening or fluffing up already dry clothing, fabrics, linens and pillows. Use with Fluff No Heat . Provides 10 minutes of no heat tumbling.

Automatic cycles determine fabric dryness and provide automatic sensed drying. The timer does not rotate during the cycle until the thermostats sense that the clothes are dry, then the timer rotates automatically to **Off**. Select **Less Dry** if you want your clothes slightly damp at the end of the drying cycle. Select **More Dry** if you want them to feel drier. Timed cycles run for a selected time.

Timed Cycle

Timed Dry	For manual drying. The timer rotates during the entire cycle.
------------------	---

2 Start-Close the dryer door. Press **Start**. Opening the door during operation will stop the dryer. To restart the dryer, close the door and select **Start** to complete the cycle.

Care and Cleaning of the Dryer.



The Exterior: Wipe or dust any spills or washing compounds with a damp cloth. Dryer control panel and finishes may be damaged by some laundry pretreatment soil and stain remover products. Apply these products away from the dryer. The fabric may then be washed and dried normally. Damage to your dryer caused by these products is not covered by your warranty.

The Lint Filter: Clean the lint filter before each use. Slide out the grid that covers the filter. Run your fingers across the filter. A waxy buildup may form on the lint filter from using dryer-added fabric softener sheets. To remove this buildup, wash the lint screen in warm, soapy water. Dry thoroughly and replace. Do not operate the dryer without the lint filter and grid in place. Have a qualified technician vacuum the lint from the dryer once a year.

Dryer Interior and Duct: The interior of the appliance and exhaust duct should be cleaned once a year by qualified service personnel.

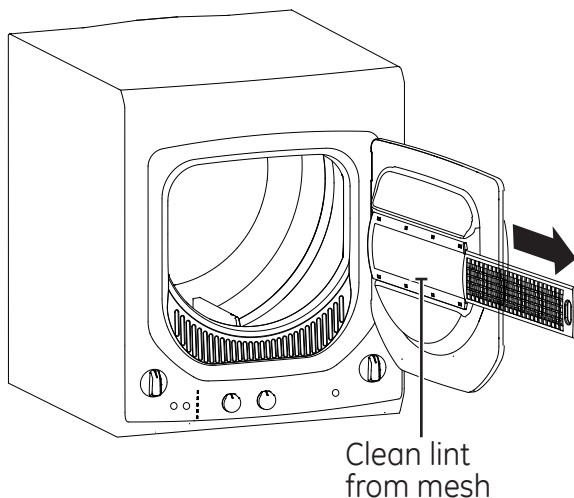
The Exhaust Duct: Inspect and clean the exhaust ducting at least once a year to prevent clogging. A partially clogged exhaust can lengthen the drying time.

Follow these steps:

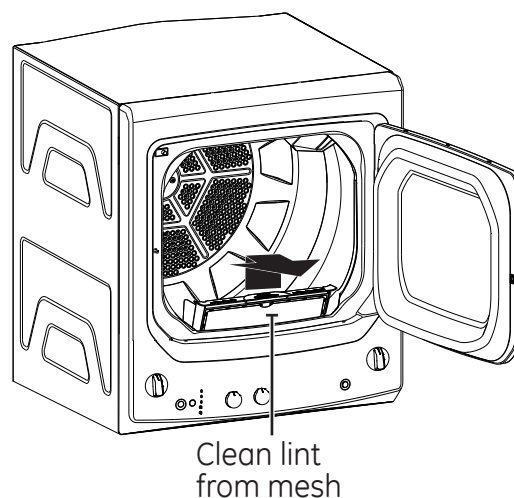
1. Turn off electrical supply by disconnecting the plug from the wall socket.
2. Disconnect the duct from the dryer.
3. Vacuum the duct with the hose attachment and reconnect the duct.

The Exhaust Hood: Check with a mirror that the inside flaps of the hood move freely when operating. Make sure that there is no wildlife (birds, insects, etc.) nesting inside the duct or hood.

Model: **GUD24**



Model: **GUD27, GUD37**





Venting the Dryer

For the best drying performance, the dryer needs to be properly vented. The dryer will use more energy and run longer if it is not vented to the specifications below. Carefully follow the details on Exhausting in the Installation Instructions.

⚠ WARNING  - Fire Hazard

This dryer **MUST** be exhausted to the outdoors.

Use only 4" rigid metal ducting for the home exhaust duct.

Use only 4" rigid metal or UL-listed dryer transition duct to connect the dryer to the home exhaust.

DO NOT use a plastic vent.

DO NOT use a metal foil vent.

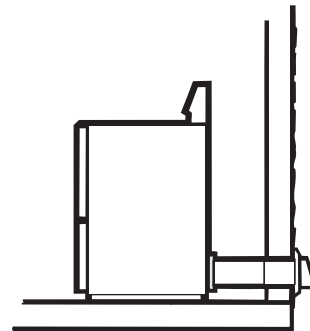
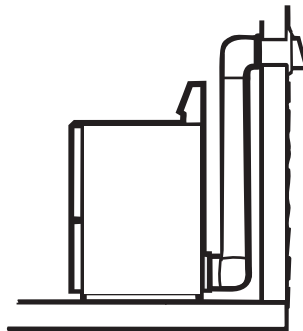
DO NOT exhaust into a chimney, kitchen exhaust, gas vent, wall, ceiling, attic, crawl space, or concealed space of a building.

DO NOT install a screen in or over the exhaust duct.

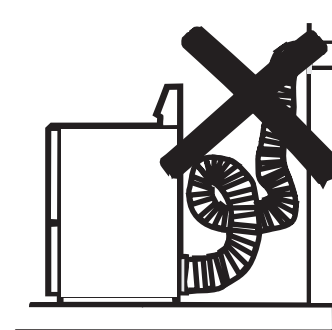
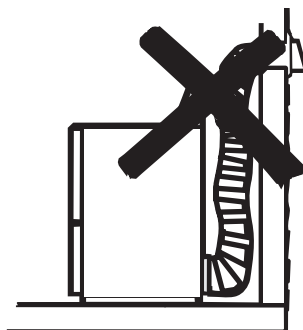
DO NOT use duct longer than specified in the exhaust length table.

Failure to follow these instructions can result in death or fire.

Correct Venting



Incorrect Venting



Before you call for service...



Troubleshooting Tips

Save time and money! Review the charts on the following pages, or visit GEAppliances.com.

In Canada, visit GEAppliances.ca. You may not need to call for service.

<i>Water</i>	<i>Possible Causes</i>	<i>What to do</i>
<i>Too many suds</i>	Too much detergent	Measure your detergent carefully. Use less soap if you have soft water, a smaller load or a lightly soiled load.
<i>Water leaks</i>	Using too much detergent	Use less detergent. Use less soap if you have soft water, a smaller load or a lightly soiled load.
	Fill hoses or drain hose is improperly connected	Make sure hose connections are tight at faucets and rubber washers are installed. Make sure end of drain hose is correctly inserted in and secured to drain facility.
	Household drain may be clogged	Check household plumbing. You may need to call a plumber.
	Constant water pressure to the fill hoses at the water source	Tighten hoses at the faucets and turn the water off after each use. Check condition of the fill hoses; they should be replaced every 5 years.
<i>Water temperature seems incorrect</i>	Cooler water temperatures provide improved energy efficiency	New laundry detergents have been formulated to work with cooler water temperatures without affecting wash performance.
	Water supply is turned off or improperly connected	Turn both hot and cold faucets fully on and make sure hoses are connected to correct faucets.
	Water valve screens are stopped up	Turn off the water source and remove the water connection hoses from the upper back of the washer. Use a brush or toothpick to clean the screens in the machine. Reconnect the hoses and turn the water back on.
	House water heater is not set properly	Make sure house water heater is delivering water at 120°F–140°F (48°C–60°C).
<i>Water pumped out before cycle is complete</i>	Lid lifted or cycle was put in pause for over 24 hours	Reset cycle.
<i>Water won't drain</i>	Drain hose is kinked or improperly connected	Straighten drain hose and make sure washer is not sitting on it. Top of drain outlet should be less than 8 ft (2.5 m) above floor.
<i>Washer pauses during spin cycle</i>	This is normal	The washer may pause during the spin cycle to remove soapy water more efficiently.
<i>Can hear but not see water at the end of the cycle</i>	This is normal	The pump leaves a little water in its intake and this is diluted with clean rinse water.

Washer Operation	Possible Causes	What to do
Washer won't operate	Washer is unplugged	Make sure cord is plugged securely into a working outlet.
	Water supply is turned off	Turn both hot and cold faucets fully on.
	Controls are not set properly	Check controls.
	Lid is open—safety feature prevents agitation and spinning when lid is up	Close lid and reset cycle, to the beginning if necessary.
	Circuit breaker/fuse is tripped/blown	Check house circuit breakers/fuses. Replace fuses or reset breaker. Washer should have separate outlet.
	Electronics need to be reset	Unplug washer, wait 2 minutes, plug back in and press Start .
	Start was not pressed	Press Start .
	Lid magnet missing	Call for service.
Movement inside machine when shut off	Shifting mechanism is disengaging the motor	When the machine is manually turned off, the shifter will disengage the motor before completely shutting down. If lid is raised before the motor is disengaged, it will resume when lid is closed.
Washer Performance	Possible Causes	What to do
Clothes too wet	Incorrect spin cycle selected	Make sure the spin cycle selected matches the load you are washing. Some fabrics will feel wetter when rinsed with cold water.
Colored spots	Incorrect use of fabric softener	Check fabric softener package for instructions and follow directions for using dispenser. Pretreat stain and rewash.
	Dye transfer	Sort whites or lightly colored items from dark colors
Grayed or yellowed clothes	Not enough detergent	Use more detergent (especially with larger loads). Be sure to follow detergent manufacturer's directions.
	Hard water	Use a water conditioner like Calgon brand or install a water softener.
	Water is not hot enough	Make sure water heater is delivering water at 120°F–140°F (48°C–60°C).
	Washer is overloaded	Select load size to match clothes load.
	Detergent is not dissolving	Add detergent as wash basket fills with water before you load clothes.
	Dye transfer	Sort clothes by color. If fabric label states wash separately, unstable dyes may be indicated.
Lint or residue on clothes	Clothes are air or line dried	If you do not dry your clothes with a clothes dryer, your clothes may retain more lint.
	Incorrect sorting	Separate lint producers from lint collectors.
	Washing too long	Wash small loads for a shorter time than larger loads
	Detergent not dissolving	Add detergent as wash basket fills with water, before you load clothes.
		Try a liquid detergent. Use warmer water temperature.
	Overloading	Load clothes no higher than the top row of holes in the washer basket.
	Incorrect use of fabric softener	Check fabric softener package for instructions and follow directions for using dispenser.

Before you call for service...

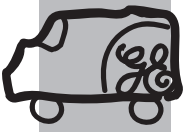
Washer Performance	Possible Causes	What to do
Pilling	Result of normal wear on poly-cotton blends and fuzzy fabrics	While this is not caused by the washer, you can slow the pilling process by washing garments inside out.
Snags, holes, tears, rips or excessive wear	Pins, snaps, hooks, sharp buttons, belt buckles, zippers and sharp objects left in pockets	Fasten snaps, hooks, buttons and zippers. Remove loose items like pins, objects in pockets and sharp buttons. Turn knits (which snag easily) inside out.
	Undiluted chlorine bleach	Check bleach package instructions for proper amount. Never add undiluted bleach to wash or allow clothes to come in contact with undiluted bleach.
	Chemicals like hair bleach or dye, permanent wave solution	Rinse items that may have chemicals on them before washing.
Wrinkling	Improper sorting	Avoid mixing heavy items (like work clothes) with light items (like blouses). Try a fabric softener.
	Overloading or incorrect water level	Load your washer so clothes have enough room to move freely with water covering all of the clothes.
	Incorrect wash and dry cycles	Match Cycle selection to the type of fabric you are washing (especially for easy care loads).
	Repeated washing in water that is too hot	Wash in warm or cold water.
Washer Soounds	Possible Causes	What to do
"Metallic clicking"	Shifter mechanism is engaging or disengaging	The drive system will engage at the start of agitate and disengage when agitate is complete. This occurs multiple times during the wash.
Back and forth "swoosh" or light "clicking" sound during agitate	Electric motor reversing direction	This machine has a drive system that doesn't use gears. This sound is the motor rotating back and forth to agitate your laundry.
Quick short agitation sounds at end of agitate	Clothing redistribution	At the end of agitate, the motor makes short agitation strokes to redistribute the load.
"Click" when water stops filling	Relay switch	The relay makes a click sound when activated. The water level activates the relay and stops filling.
"Clicking" behind Control Panel during fill	Automatic Temperature Control Valve	This valve mixes in cold and hot water. The "clicking" is the valve turning on and off.
Water volume changes during fill	Automatic Temperature Control Valve	This valve mixes in cold and hot water. The sound changes when the valves are turned on and off.
Motor "whining up" or "coasting down" in spin	Motor ramping up/down during spin cycle	The motor will speed up incrementally during the spin cycle. When spin is complete, it will coast until it stops.
"Humming"	Water drain pump	The drain pump will make a humming sound when pumping out water after agitation stops and continue until spin is complete.
"Gurgling"	Water drain pump	When the pump starts drawing in air, it starts to gurgle. The washer should then begin spinning and the sound will continue until it is done spinning.

Dryer Problem	Possible Causes	What to do
Dryer doesn't start	Dryer is unplugged	Make sure the dryer plug is pushed completely into the outlet.
	Fuse is blown/circuit breaker is tripped	Check the house fuse/circuit breaker box and replace fuse or reset breaker. Note: Most electric dryers use 2 fuses/breakers.
Dryer doesn't heat	Fuse is blown/circuit breaker is tripped; the dryer may tumble but not heat	Check the house fuse/circuit breaker box and replace both fuses or reset both breakers. Your dryer may tumble if only one fuse is blown or one breaker tripped.
	Gas service is off	Make sure gas shutoff at dryer and main shutoff are fully open.
Dryer shakes or makes noise	Some shaking/noise is normal. Dryer may be sitting unevenly	Move dryer to an even floor space, or adjust leveling legs as necessary until even.
Greasy spots on clothes	Improper use of fabric softener	Follow directions on fabric softener package.
	Drying dirty items with clean ones	Use your dryer to dry only clean items. Dirty items can stain clean items and the dryer.
	Clothes were not completely clean	Sometimes stains which cannot be seen when the clothes are wet appear after drying. Use proper washing procedures before drying.
Lint on clothes	Lint filter is full	Clean lint screen before each load.
	Improper sorting	Sort lint producers (like chenille) from lint collectors (like corduroy).
	Static electricity can attract lint	See suggestions in this section under STATIC.
	Overloading	Separate large loads into smaller ones.
	Paper, tissue, etc. left in pockets	Empty all pockets before laundering clothes.
Static occurs	No fabric softener was used	Try a fabric softener.
		Bounce® Fabric Conditioner Dryer Sheets have been approved for use in all GE Dryers when used in accordance with the manufacturer's instructions.
	Overdrying	Try a fabric softener.
		Adjust setting to Less Dry .
Synthetics, permanent press and blends can cause static	Try a fabric softener.	
Inconsistent drying times	Type of heat	Automatic drying times will vary according to the type of heat used (electric, natural or LP gas), size of load, types of fabrics, wetness of clothes and condition of exhaust ducts.

Before you call for service...

Dryer Problem	Possible Causes	What to do	
<i>Clothes take too long to dry</i>	Improper sorting	Separate heavy items from lightweight items (generally, a well-sorted washer load is a well-sorted dryer load).	
	Large loads of heavy fabrics (like beach towels)	Large, heavy fabrics contain more moisture and take longer to dry. Separate large, heavy fabrics into smaller loads to speed drying time.	
	Controls improperly set	Match control settings to the load you are drying.	
	Lint filter is full	Clean lint filter before every load.	
	Improper or obstructed ducting		Check installation instructions for proper ducting/venting.
			Make sure ducting is clean, free of kinks and unobstructed.
			Check to see if outside wall damper operates easily.
		Check the Installation Instructions to make sure the dryer venting is correct.	
Blown fuses or tripped circuit breaker	Replace fuses or reset circuit breakers. Since most dryers use 2 fuses/breakers, make sure both are operating.		
Overloading/combining loads	Do not put more than one washer load in the dryer at a time.		
Underloading	If you are drying only one or two items, add a few items to ensure proper tumbling.		
<i>Clothes are wrinkled</i>	Overdrying	Select a shorter drying time.	
		Remove items while they still hold a slight amount of moisture. Select a Less Dry setting.	
	Letting items sit in dryer after cycle ends	Remove items when cycle ends and fold or hang immediately.	
Overloading	Separate large loads into smaller ones.		
<i>Clothes shrink</i>	Some fabrics will naturally shrink when washed. Others can be safely washed, but will shrink in the dryer	To avoid shrinkage, follow garment care labels exactly.	
		Some items may be pressed back into shape after drying	
		If you are concerned about shrinkage in a particular item, do not machine wash or tumble dry it.	

This Appliance Warranty.



All warranty service provided by our Factory Service Centers, or an authorized Customer Care® technician. To schedule service, on-line, visit us at **GEAppliances.com**, or call **800.GE.CARES** (800.432.2737). In Canada, visit **GEAppliances.ca** or call **800.561.3344**. Please have serial number and model number available when calling for service.

Staple your receipt here.
Proof of the original purchase date is needed to obtain service under the warranty.

For The Period Of: We Will Replace:

One Year

From the date of the original purchase

Any part of the washer which fails due to a defect in materials or workmanship. During this **limited one-year warranty**, we will also provide, **free of charge**, all labor and related service to replace the defective part.

What Is Not Covered for Customers in the United States:

- Service trips to your home to teach you how to use the product.
- Improper installation, delivery or maintenance.
- Failure of the product if it is abused, misused, or used for other than the intended purpose or used commercially.
- Replacement of house fuses or resetting of circuit breakers.
- Products which are not defective or broken, or which are working as described in the Owner's Manual.
- Damage to the product caused by accident, fire, floods or acts of God.
- Incidental or consequential damage caused by possible defects with this appliance.
- Defects or damage due to operation in freezing temperatures.
- Damage caused after delivery.
- Product not accessible to provide required service.

EXCLUSION OF IMPLIED WARRANTIES—Your sole and exclusive remedy is product repair as provided in this Limited Warranty. Any implied warranties, including the implied warranties of merchantability or fitness for a particular purpose, are limited to one year or the shortest period allowed by law.

This warranty is extended to the original purchaser and any succeeding owner for products purchased for home use within the USA. If the product is located in an area where service by a GE Authorized Servicer is not available, you may be responsible for a trip charge or you may be required to bring the product to an Authorized GE Service location. In Alaska, the warranty excludes the cost of shipping or service calls to your home.

Some states do not allow the exclusion or limitation of incidental or consequential damages. This warranty gives you specific legal rights, and you may also have other rights which vary from state to state. To know what your legal rights are, consult your local or state consumer affairs office or your state's Attorney General.

Warrantor: General Electric Company, Louisville, KY 40225

What Is Not Covered for Customers in Canada:

- Service trips to your home to teach you how to use the product.
- Improper installation, delivery or maintenance.
If you have an installation problem, contact your dealer or installer. You are responsible for providing adequate electrical, exhausting and other connecting facilities.
- Failure of the product if it is abused, misused, or used for other than the intended purpose or used commercially.
- Replacement of house fuses or resetting of circuit breakers.
- Damage to the product caused by accident, fire, floods or acts of God.
- Damage caused after delivery.

EXCLUSION OF IMPLIED WARRANTIES—Your sole and exclusive remedy is product repair as provided in this Limited Warranty. Any implied warranties, including the implied warranties of merchantability or fitness for a particular purpose, are limited to one year or the shortest period allowed by law.

This warranty is extended to the original purchaser and any succeeding owner for products purchased in Canada for home use within Canada. In home warranty service will be provided in areas where it is available and deemed reasonable by Mabe to provide.

WARRANTOR IS NOT RESPONSIBLE FOR CONSEQUENTIAL DAMAGES.

Warrantor: MC COMMERCIAL, Burlington, L7R 5B6

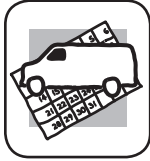
Consumer Support.



GE Appliances Website

In the U.S. **GEAppliances.com**

Have a question or need assistance with your appliance? Try the GE Appliances Website 24 hours a day, any day of the year! For greater convenience and faster service, you can now download Owner's Manuals, order parts or even schedule service on-line. **In Canada: www.GEAppliances.ca.**



Schedule Service

In the U.S. **GEAppliances.com**

Expert GE repair service is only one step away from your door. Get on-line and schedule your service at your convenience 24 hours any day of the year! Or call 800.GE.CARES (800.432.2737) during normal business hours. **In Canada, call 800.561.3344.**



Real Life Design Studio

In the U.S. **GEAppliances.com**

GE supports the Universal Design concept—products, services and environments that can be used by people of all ages, sizes and capabilities. We recognize the need to design for a wide range of physical and mental abilities and impairments. For details of GE's Universal Design applications, including kitchen design ideas for people with disabilities, check out our Website today. For the hearing impaired, please call 800.561.3344.

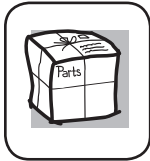
In Canada: contact: Director, Consumer Relations, Mabe Canada Inc.
Suite 310, 1 Factory Lane
Moncton, N.B. E1C 9MC



Extended Warranties

In the U.S. **GEAppliances.com**

Purchase a GE extended warranty and learn about special discounts that are available while your warranty is still in effect. You can purchase it on-line anytime, or call 800.626.2224 during normal business hours. GE Consumer Home Services will still be there after your warranty expires. **In Canada, please visit our Website or contact your local extended warranty provider.**



Parts and Accessories

In the U.S. **GEAppliances.com**

Individuals qualified to service their own appliances can have parts or accessories sent directly to their homes (VISA, MasterCard and Discover cards are accepted). Order on-line today, 24 hours every day or by phone at 800.626.2002 during normal business hours.

Instructions contained in this manual cover procedures to be performed by any user. Other servicing generally should be referred to qualified service personnel. Caution must be exercised, since improper servicing may cause unsafe operation.

Customers in **Canada** should consult the yellow pages for the nearest GE parts distributor or call **800.661.1616**.



Contact Us

In the U.S. **GEAppliances.com**

If you are not satisfied with the service you receive from GE, contact us on our Website with all the details including your phone number, or write to:

General Manager, Customer Relations
GE Appliances, Appliance Park
Louisville, KY 40225

In Canada: GEAppliances.ca, or write: Director, Consumer Relations, Mabe Canada Inc.
Suite 310, 1 Factory Lane
Moncton, N.B. E1C 9MC



Register Your Appliance

In the U.S. **GEAppliances.com**

Register your new appliance on-line—at your convenience! Timely product registration will allow for enhanced communication and prompt service under the terms of your warranty, should the need arise. You may also mail in the pre-printed registration card included in the packing material. **In Canada: www.GEAppliances.ca.**



Laveuse/Sécheuse

Instructions de Sécurité 2, 5

Instructions d'Utilisation

Entretien et Nettoyage
de la Sécheuse..... 12

Entretien et Nettoyage
de la Laveuse 9

Tableau de Contrôle
de la Sécheuse..... 10

Tableau de Contrôle de
la Laveuse 6

Paramètres de Contrôle
de la Sécheuse..... 10

Paramètres de Contrôle
de la Laveuse..... 6, 7

Options de la Laveuse 8

Chargement et Usage
de la Sécheuse..... 13

Chargement et Usage
de la Laveuse 9

Auto-dépannage

Auto-dépannage
de la Laveuse14-16

Auto-dépannage
de la Sécheuse..... 17, 18

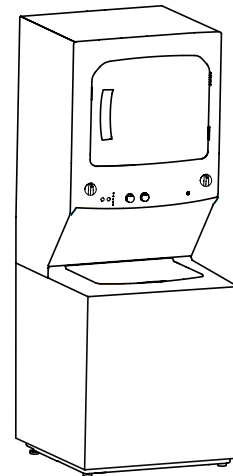
Aide au consommateur

Aide au consommateur..... 20

Garantie 19

Manuel du Propriétaire

GUD24
GUD27
GUD37



Ecrivez le model et le Numéro de Série ci-dessous :

Modèle # _____

Série # _____


Ouvrez la porte de la Sécheuse pour trouver le model et le numéro de Série


RENSEIGNEMENTS DE SÉCURITÉ IMPORTANTS.

LISEZ TOUTES LES INSTRUCTIONS AVANT L'UTILISATION.


 Ceci est un symbole d'alerte de sécurité. Ce symbole prévient d'un risque mortel ou de blessures encouru par vous et d'autres personnes. Tous les messages de sécurité s'inscriront à la suite du symbole d'alerte et du mot « DANGER », « AVERTISSEMENT » ou « MISE EN GARDE ». Ces mots sont associés aux définitions suivantes :

 **DANGER** Indique une situation dangereuse qui, si elle n'est pas évitée, causera des blessures sévères, voire la mort.

 **AVERTISSEMENT** Indique une situation dangereuse qui, si elle n'est pas évitée, peut causer des blessures sévères, voire la mort.

 **MISE EN GARDE** Indique une situation dangereuse qui, si elle n'est pas évitée, peut causer des blessures mineures ou modérément graves.

INSTRUCTIONS DE SÉCURITÉ IMPORTANTES

 **AVERTISSEMENT** Pour réduire le risque de décès, d'incendie, d'explosion, de choc électrique ou de blessure aux personnes utilisant cet appareil, observez des précautions élémentaires dont les suivantes :

- Lisez toutes les instructions avant d'utiliser l'appareil.
- NE séchez NI ne lavez les articles qui ont été précédemment nettoyés, lavés, trempés ou détachés à l'aide d'essence, de solvants de nettoyage à sec ou d'autres substances inflammables ou explosives, puisqu'ils peuvent émettre des vapeurs susceptibles de s'enflammer ou d'exploser.
- NE placez PAS d'articles exposés aux huiles de cuisson dans la sècheuse. Les articles souillés par les huiles de cuisson peuvent faciliter des réactions chimiques susceptibles d'enflammer une brassée.
- N'ajoutez PAS d'essence, de solvants pour nettoyage à sec ni d'autres substances inflammables ou explosives dans l'eau de lavage. Ces substances émettent des vapeurs susceptibles de s'enflammer ou d'exploser.
- Dans certaines conditions, du gaz d'hydrogène peut être produit dans un système d'eau chaude qui n'a pas été utilisé pendant 2 semaines ou plus. L'HYDROGÈNE EST UN GAZ EXPLOSIF. Si le système d'eau chaude n'a pas été utilisé sur une telle durée, avant d'utiliser la laveuse, ouvrez tous les robinets d'eau chaude pour faire couler l'eau de chaque robinet pendant plusieurs minutes. Cette mesure libérera tout gaz d'hydrogène accumulé. Étant donné que ce gaz est inflammable, NE fumez NI n'utilisez une flamme nue durant cette manœuvre.
- NE laissez PAS les enfants jouer sur ou dans cet appareil ou tout autre. Une surveillance étroite est requise lorsque des enfants se trouvent à proximité de l'appareil en fonctionnement. Avant de mettre l'appareil hors service ou au rebut, enlever la porte et le couvercle de séchage et de lavage des compartiments. L'omission d'observer ces instructions peut causer le décès ou des blessures.
- NE vous penchez PAS dans l'appareil si le tambour est en rotation, la cuve ou l'agitateur est en mouvement afin de prévenir l'emmêlement.
- N'utilisez PAS de chaleur pour sécher des articles qui contiennent du caoutchouc mousse ou des matières à texture caoutchouteuse similaire.
- Nettoyez la charpie avant et après chaque brassée. N'utilisez PAS la sècheuse sans que le filtre à charpie ne soit en place.
- N'employez PAS de produits assouplissants NI d'agents antistatiques à moins que leur utilisation ne soit recommandée par leurs fabricants.
- Ne rangez pas de matières combustibles, de l'essence ni d'autres liquides inflammables à proximité de la sècheuse. Gardez la zone autour de l'ouverture d'évacuation et tout l'espace adjacent libres de charpie, de poussière et de saletés. Garder la zone de la sècheuse libre et dégagée de tout article pouvant nuire au débit de combustion et à la circulation d'air.
- L'intérieur de l'appareil et le tuyau d'évacuation doivent être nettoyés régulièrement par du personnel qualifié.
- N'installez NI ne rangez cet appareil dans un endroit exposé aux intempéries.
- NE modifiez PAS les commandes, ne réparez NI remplacez une quelconque pièce et ne tentez aucune réparation de cet appareil, à moins que cela ne soit expressément recommandé dans les instructions d'entretien ou de réparation destinées à l'utilisateur et dont vous avez une compréhension et une compétence suffisantes pour les appliquer.
- NE faites PAS fonctionner cet appareil s'il est endommagé, ne fonctionne pas correctement, est en partie démonté, ou encore si des pièces sont manquantes ou abîmées, y compris le cordon électrique ou sa fiche.

INSTRUCTIONS DE SÉCURITÉ IMPORTANTES

- Débranchez l'appareil ou fermez le disjoncteur avant une réparation. Le fait d'appuyer sur le bouton **Power** (Alimentation) ou **Start/Pause** (Mise en marche/pause) NE coupe PAS l'alimentation électrique.
- NE vaporisez AUCUN type d'aérosol dans, sur ou à proximité de l'appareil, et ce en tout temps. N'utilisez AUCUN type de nettoyant en vaporisateur lorsque vous nettoyez l'intérieur de la sècheuse. Cela poserait un risque de vapeurs dangereuses ou de choc électrique.
- Ne pas garder d'objets pouvant brûler ou fondre (tel que vêtements, matériel en papier ou de récipients en plastique, etc.) sur l'appareil ou en penderie sur la porte.
- Ne jamais grimper ou se tenir debout sur une pile de linge dans la zone de lavage.
- Consultez la section « Exigences électriques » des instructions d'installation pour connaître la procédure de mise à la terre.

CONSERVEZ CES INSTRUCTIONS

AVERTISSEMENTS SUPPLÉMENTAIRES CONCERNANT LES SÈCHEUSES À GAZ

⚠ AVERTISSEMENT Pour votre sécurité, les instructions de ce manuel doivent être observées afin de minimiser le risque d'incendie ou d'explosion et de prévenir le risque de dommage, de blessure ou de décès.

- N'entrez PAS et n'utilisez PAS d'essence NI d'autres vapeurs ou liquides inflammables dans les alentours de cet appareil ou de tout autre.
- QUE FAIRE SI UNE ODEUR DE GAZ EST DÉTECTÉE :
 - N'allumez AUCUN appareil.
 - NE touchez à AUCUN commutateur électrique ; n'utilisez AUCUN téléphone dans votre immeuble.
 - Faites évacuer la pièce, l'immeuble ou la zone de tous ses occupants.
 - Communiquez immédiatement avec votre fournisseur de gaz au moyen du téléphone d'un voisin. Observez les directives du fournisseur de gaz.
 - Si vous ne pouvez pas joindre votre fournisseur de gaz, appelez le service d'incendie.
- L'installation, l'entretien et les réparations doivent être exécutés par un installateur agréé, un organisme de service ou le fournisseur de gaz.

Avertissements de la Proposition 65 de l'État de la Californie

La loi de la Californie relative à l'eau de consommation et aux substances toxiques (California Safe Drinking Water and Toxic Enforcement Act) exige que le gouverneur de la Californie publie une liste des substances reconnues par l'État pour causer le cancer, des anomalies congénitales ou d'autres problèmes liés à la reproduction, et aussi que les entreprises mettent en garde contre des expositions à de telles substances.

⚠ AVERTISSEMENT Ce produit contient une ou plusieurs substances chimiques reconnues par l'État de Californie pour causer le cancer, des anomalies congénitales ou d'autres problèmes liés à la reproduction.

Les appareils à gaz peuvent entraîner des expositions de faible intensité à certaines de ces substances, y compris au benzène, au monoxyde de carbone, au formaldéhyde et à la suie, en raison principalement d'une combustion incomplète du gaz naturel ou liquifié. L'exposition à ces substances peut être réduite au minimum par la ventilation adéquate de la sècheuse vers l'extérieur.

CONSERVEZ CES INSTRUCTIONS

CONSIGNES DE SÉCURITÉ IMPORTANTES - Sécheuses.

LISEZ TOUTES LES INSTRUCTIONS AVANT D'UTILISER VOTRE APPAREIL.

INSTALLATION APPROPRIÉE



Cette laveuse doit être installée correctement et positionnée conformément aux instructions d'installation avant l'utilisation. Si vous n'avez pas reçu le guide d'installation, vous pouvez le recevoir en visitant GEAppliances.com ou en composant **800.GE.CARES (800.432.2737)**. Au Canada, visitez le www.electromenagersge.ca ou appelez le **800.561.3344**.

- Assurez-vous que le flexible d'eau chaude est connecté au robinet en « H » et que le flexible d'eau froide est connecté au robinet en « C ».
- Installez ou rangez l'appareil là où il ne sera pas exposé à des températures inférieures au point de congélation ou aux intempéries, sinon il y a risque de dommage permanent et invalidation de la garantie.
- Mettez correctement la laveuse à la terre conformément à tous les codes et règlements en vigueur. Observez la procédure détaillée décrite dans les instructions d'installation.

AVERTISSEMENT - Risque d'électrocution

Brancher l'appareil dans une prise à 3 broches mise à la terre.

NE PAS enlever la broche de mise à la terre.

N'UTILISEZ pas de rallonge électrique.

N'UTILISEZ pas d'adaptateur de prise.

L'omission de prendre ces précautions peut provoquer la mort, l'explosion ou l'incendie.

- Cette laveuse n'est livrée avec les flexibles d'alimentation d'eau.

GE recommande vivement l'utilisation de pièces spécifiées par le fabricant. La liste ci-dessous énumère les flexibles que l'on peut se procurer auprès du fabricant. Ces flexibles sont fabriqués et essayés de façon à satisfaire aux spécifications de GE.

GE recommande vivement l'utilisation de flexibles d'alimentation d'eau neufs. Les flexibles se détériorent avec le temps et ils doivent être remplacés tous les 5 ans afin de réduire le risque de défaillance ou de dégât d'eau.

Pièces et accessoires

Appelez le **800.661.1616** ou contactez votre marchand de pièces GE local.

Numéro de pièce Accessoire

PM14X10002 Flexibles d'alimentation d'eau en caoutchouc – 1,2 m (4 pi)

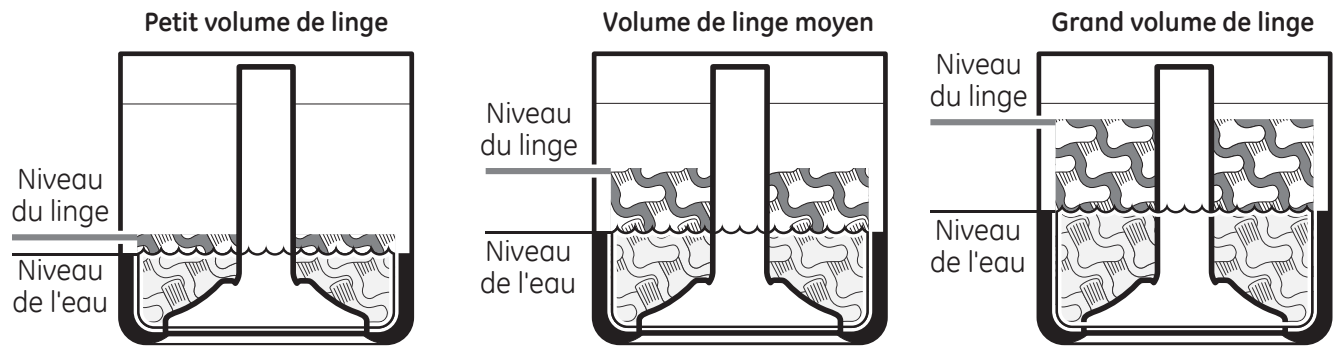
Ou

PM14X10005 Flexibles d'alimentation d'eau en métal tressé – 1,2 m (4 pi)

WX10X10011 Nettoyant pour laveuse Tide®*

PM7X1 Plateau de plancher pour laveuse

CAPACITÉ LAVEUSE :



LORSQUE L'APPAREIL N'EST PAS UTILISÉ

- Fermez les robinets pour minimiser les fuites dans l'éventualité d'un bris ou d'une rupture. Vérifiez l'état des flexibles de remplissage ; GE recommande de remplacer les flexibles tous les 5 ans.

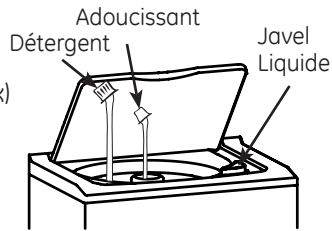
CONSERVEZ CES INSTRUCTIONS

Concernant le tableau de bord de la Laveuse.

Guide pour Mise en marche Rapide

Etape 1

- Ajouter détergent
- Ajouter adoucissant (au choix)
- Ajouter la javel (au choix)



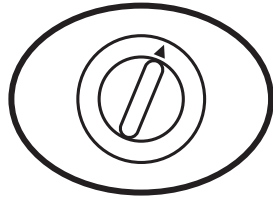
Etape 2

- Ajouter les vêtements



Etape 3

- Choisissez la taille du chargement et autres options de lavage
- Sélectionnez le cycle de lavage



Etape 4

- Fermez le couvercle
- Appuyez sur **Start** (Marche)

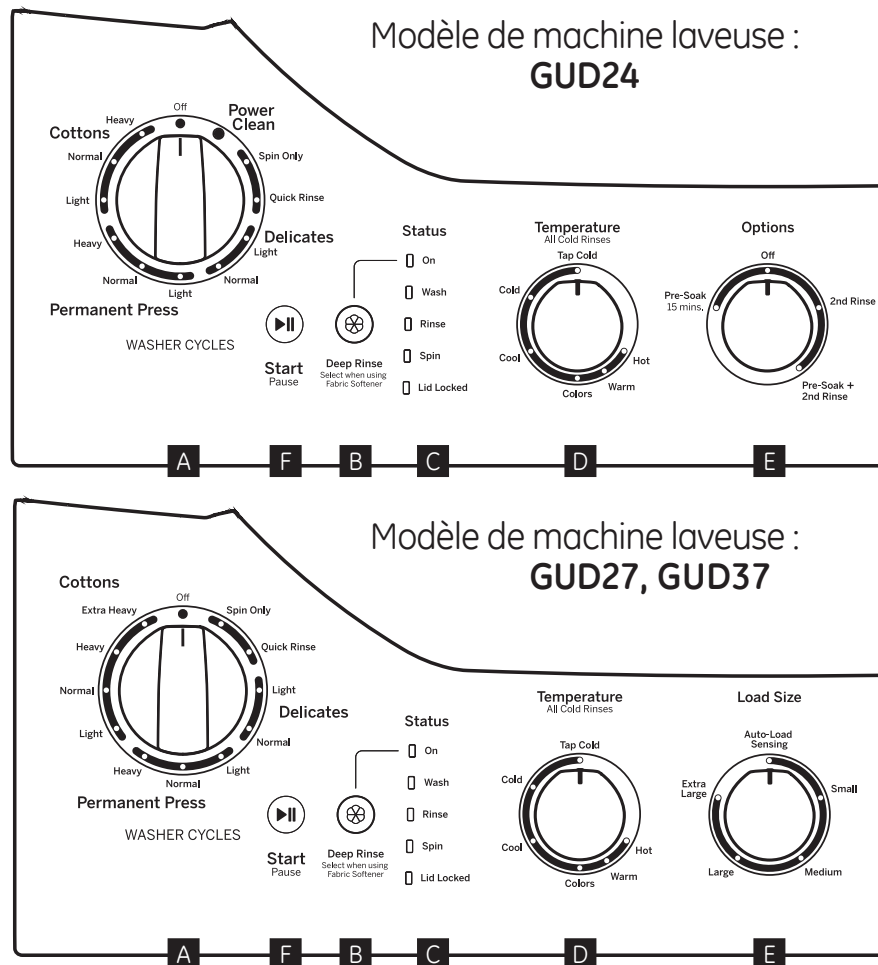


LID LOCKED (VERROUS DU COUVERCLE COUVERCLE FERMÉ)

Votre Laveuse possède un système de sécurité qui empêche l'ouverture du couvercle pendant le cycle. Cette sécurité empêche surtout les enfants d'introduire leurs mains dans la laveuse pendant le cycle de lavage. La sécurité est désactivée 5 secondes après l'arrêt du tambour.

N'essayez pas d'ouvrir le couvercle avec la sécurité enclenchée, ceci pourrait provoquer des blessures. Si la sécurité ne se désactive pas après l'arrêt du tambour, contactez un technicien.

NOTE: En cas de panne d'électricité l'ouverture du couvercle peut prendre jusqu'à 3 mn.



Note : Cet appareil est conçu pour permettre le fonctionnement simultané de la laveuse et de la sècheuse si désiré.

A Selection du Cycle de Lavage

Le cycle de lavage contrôle le temps et l'intensité du processus de lavage. Le bouton peut être tourné dans les deux directions. Si vous tournez le bouton Sélecteur de Cycle après le début de ce celui-ci, la laveuse s'arrête et commence le nouveau cycle choisi. Appuyez sur **Start (Marche)** pour commencer le nouveau cycle.

Le tableau ci-dessous vous aide à choisir le bon cycle pour le bon type de vêtements. Ce tableau est classé du cycle le plus long au plus court et par intensité de lavage. (Les Cycles peuvent varier selon le modèle.)

Power Clean - Utilise plus d'eau que les cycles de lavage standard. Il est recommandé pour les charges très grandes et les vêtements très sales.

Cottons - Pour des cottons très ou peu salis, vêtements de travail ou de ménage.

Permanent Press - Pour des habits sans plis et ceux comportant des imprimés permanents, et tricot.

Delicates - Pour la lingerie et les vêtements délicats sans tâches requérant un traitement spécial.

Spin Only - Pour drainer le tambour et essorer l'eau des vêtements.

Quick Rinse - Rince et essore les vêtements propres quand juste un rinçage est désiré.

Off - La laveuse est mise hors d'usage et le bouton **Start (Marche)** ne fonctionne pas.

NOTE: Quand les commandes sont sur **Off**, les voyants du **Status (Statut)** ne fonctionnent pas.

NOTE: Le sélecteur de cycle ne change pas de position pendant le fonctionnement de la laveuse.

B Deep Rinse (Rinçage en profondeur)

Veillez utiliser cette option quand un adoucissant est ajouté à la laveuse.

C Voyants lumineux du Statut de l'appareil

Les voyants lumineux montre dans que cycle ou le statut dans lequel se trouve l'appareil. Quand le bouton sélecteur indique le début d'un nouveau cycle, les voyants lumineux s'allument momentanément, en montrant les étapes du cycle qui vont être traversées.

Voyant Statut	S'allume
On (Sur)	Quand l'option de l'adoucissant a été choisie.
Wash (Lavage)	Quand la laveuse se trouve dans une des étapes de lavage d'un cycle.
Rinse (Rinçage)	Quand la laveuse se trouve dans une des étapes de rinçage d'un cycle.
Spin (Essorage)	Quand la laveuse évacue l'eau ou fait tourner le tambour pour essorage.
Lid Locked (Couvercle verrouillé)	Quand le couvercle de la laveuse est bloqué. Cette particularité empêche l'ouverture du couvercle pendant l'essorage ou quand la laveuse annonce un arrêt prochainement.

NOTE: Si les voyants lumineux du **Status (Statut)** clignotent, l'opération de la laveuse a été mise en pause.

Pour reprendre l'opération appuyez sur **Start** (le couvercle doit être fermé).

D Temperature (Température)

Choisissez la température de l'eau pour le cycle de lavage (tous les rinçages utilisent l'eau froide). Suivez tout le temps et attentivement les instructions du fabricant et les consignes d'utilisation pendant le lavage.

Tap Cold* utilise l'eau du robinet d'arrivée, qui peut fournir des économies d'énergie. Pour tous les autres réglages de température, un mélange d'eau chaude et froide est utilisé pour obtenir la température idéale pour chaque réglage de température.

S'il vous plaît notez que certains détergents ne se dissolvent pas complètement dans l'eau très froide. Si vous rencontrez ce problème, il est recommandé de choisir un réglage autre que **Tap Cold*.*

E Load Size (Volume de brassée)

Ne chargez pas plus de vêtements plus haut que la dernière rangée de trous dans le tambour

Auto Load Sensing - Cette sélection fournit automatiquement la quantité d'eau adéquate conformément à la taille et au type de charge placée dans l'appareil.

F Start (Marche)

Appuyez sur **Start** pour commencer un cycle. Avec le couvercle fermé, appuyer sur **Start** à nouveau provoquera la pause du cycle et les voyants lumineux **Status** clignoteront. Pour continuer le cycle, fermez le couvercle et appuyez sur **Start** à nouveau.

Le remplissage de l'eau continuera avec le couvercle ouvert, sauf quand l'option **Auto Load Sensing** est choisie comme taille de la charge. (Le couvercle **doit être fermé** pour continuer le remplissage avec l'option **Auto Load - Sensing**).

Si le couvercle est ouvert pendant le cycle, il sera mis en pause et les voyants lumineux **Status** clignoteront. Pour reprendre le cycle, fermez le couvercle et appuyez sur **Start**.

Si l'appareil est mis en **Pause** pour plus de 24 heures, le cycle sera automatiquement annulé. Pour arrêter un cycle, placez le Sélecteur de Cycle sur la position **Off**.

Concernant les options de lavage.



Le diffuseur d'Adoucissant

Le diffuseur d'adoucissant diffuse automatiquement l'adoucissant au moment adéquat pendant le cycle.

Ne pas arrêter la laveuse durant le premier tour. Ceci causerait que le diffuseur se viderait trop rapidement et trop tôt.

Suivez les pas suivants pour bon usage:

- 1 Assurez vous que le diffuseur est bien fixé à l'agitateur.
- 2 Utilisez uniquement un adoucissant liquide. Versez dans le diffuseur, en respectant les doses indiquées sur l'emballage.

Ne jamais verser de l'adoucissant directement sur les habits. Cela pourrait les endommager.

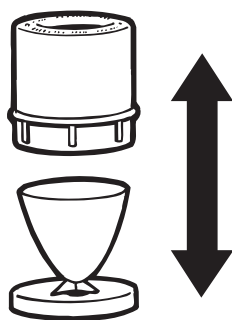
NOTE: Ne pas verser de javel dans le DIFFUSEUR D'ADOUCCISSANT

- 3 Ajoutez de l'eau au diffuseur jusqu'au niveau de la ligne de remplissage maximum.



Ne rien verser dans l'agitateur si le diffuseur n'est pas à sa place.

- 4 Choisissez l'option **FABRIC SOFTENER** sur le tableau des commandes pour une diffusion correcte de l'adoucissant.



Séparez pour nettoyage

Nettoyage du Diffuseur d'Adoucissant

- 1 Quittez le diffuseur de son emplacement sur l'agitateur.
- 2 Séparez le récipient du diffuseur de son couvercle en tenant le haut et en appuyant sur la partie intérieure du récipient avec vos doigts. Le récipient du diffuseur se détachera de son couvercle.
- 3 Pour nettoyer le diffuseur, trempez le récipient du diffuseur et son couvercle dans la solution liquide suivante:
 - 1 US gallon (3.8 litres) d'eau chaude
 - 1/4 de verre (60 ml) de détergent liquide pour tâches difficiles
 - 1 verre (240 ml) de javel
- 4 Si nécessaire, quittez les résidus avec un linge propre et doux après avoir trempé. Ne pas utiliser de brosse vous pourriez irriter la surface du diffuseur.
- 5 Rincez et rassemblez le diffuseur. Remplacez le diffuseur sur l'agitateur.

Entonnoir pour la Javel liquide

De la javel au chlore liquide est diluée pendant le remplissage de la laveuse avant le début d'un cycle.



- 1 Vérifiez les indications de lavages des fabricants indiquées sur les vêtements.
- 2 Mesurez la javel liquide avec précaution en suivant les instructions indiquées sur la bouteille.
 - Ne jamais verser de javel au chlore liquide directement sur les habits ou dans le tambour de la laveuse.
 - Ne pas verser de javel en poudre dans l'entonnoir à javel.
- 3 Avant de commencer le lavage, versez une dose de javel directement dans l'entonnoir à javel. Evitez d'éclabousser ou de surcharger le diffuseur. Si vous préférez utiliser de la javel en poudre, ajoutez-la directement dans le tambour avec votre détergent.
 - Ne jamais mélanger de Javel au chlore avec de l'ammoniac ou d'autres acides tels que vinaigre et/ou détartrant. Le mélange peut créer un gaz toxique pouvant provoquer la mort.

NOTE: Ne jamais verser de la javel dans le DIFFUSEUR D'ADOUCCISSANT.

Chargement et utilisation de la laveuse.

Toujours suivre les instructions d'utilisation du fabricant pendant le lavage.

electromenagersge.ca



Triage des charges de vêtements

Triez par couleur (blancs, clairs, couleurs), degré de saleté type de fabrication (cottons, soin facile, délicats) et selon si le vêtement laisse des peluches (tissu-éponge, chenille) ou attire les peluches (velvet, velours).

⚠ AVERTISSEMENT



- Risque d'incendie

Ne placez pas, dans la laveuse, d'articles qui sont imbibés d'essence ou d'autres liquides inflammables. Aucune laveuse ne peut éliminer l'huile totalement.

NE séchez AUCUN article qui a déjà reçu un type d'huile quelconque (y compris les huiles de cuisson). L'omission de prendre ces précautions peut provoquer la mort, l'explosion ou l'incendie.



Chargement de la Laveuse

Chargez les habits secs, pas plus haut que la dernière rangée de trous dans le tambour. Si vous chargez des vêtements mouillés, assurez-vous d'ajuster le niveau charge/eau assez haut pour permettre aux habits de bouger librement. L'eau doit normalement juste couvrir les habits. Pour ajouter des habits après le début du lavage soulevez le couvercle et submergez les habits additionnels près de l'agitateur.

- Ne pas enrouler de longs articles tels que draps ou pantalons autour de l'agitateur.
- Ne pas laver de vêtements imbibés de produits inflammables (wax, nettoyeurs fluides etc.).
- L'agitation ne débutera pas tant que le couvercle est ouvert.



L'usage correct du détergent

Ajoutez du détergent et mettez en route la laveuse avant de charger les habits afin que le détergent fonctionne correctement. Le manque ou l'ajout excessif de détergent est une cause commune des problèmes de lingerie.

Vous pouvez utiliser moins de détergent si vous avez de l'eau douce, une plus petite charge ou une charge légèrement sale.

Entretien et nettoyage de la laveuse.



Tambour de la laveuse: Laissez le couvercle ouvert pour permettre aux différents produits de s'évaporer. Si vous voulez nettoyer le tambour, utilisez un linge doux et propre trempé dans du détergent liquide, ensuite rincez-le. (Ne pas utiliser de brosse ou de linge râpeux).

Tuyaux de remplissage: GE recommande de changer les tuyaux chaque 5 ans.

Extérieur: nettoyer les flaques immédiatement. Nettoyer avec un linge humide. Essayez de ne pas toucher la surface avec des objets coupants

Déplacement et Stockage: Demandez au technicien de vider l'eau de la pompe et des tuyaux. Voir les instructions d'installation de l'appareil pour savoir comment déplacer l'appareil en gardant le cuvier stationnaire et rassembler les tringles de transport. Pour plus d'informations visitez le site electromenagersge.ca ou téléphonez au **800.561.3344**. Ne pas stocker la laveuse dans un endroit exposé au climat.

Longue absence: Soyez certain d'avoir coupé l'arrivée d'eau au niveau des robinets. Drainez toute l'eau des tuyaux si le climat risque de passer à des températures glacées.

Concernant le tableau des Commandes de la Sécheuse

⚠️ AVERTISSEMENT!

Pour réduire le risque d'incendie, de choc électrique ou de blessure, lisez les **IMPORTANTES CONSIGNES DE SÉCURITÉ** avant de faire fonctionner cet appareil.

⚠️ AVERTISSEMENT



Risque d'explosion

Gardez les matières et les vapeurs inflammables telles que l'essence à distance de la sécheuse.

NE séchez AUCUN article qui a déjà reçu une matière inflammable (même après le lavage).

Le non-respect de ces instructions pourrait entraîner la mort, l'explosion ou l'incendie.

⚠️ AVERTISSEMENT



Risque d'incendie

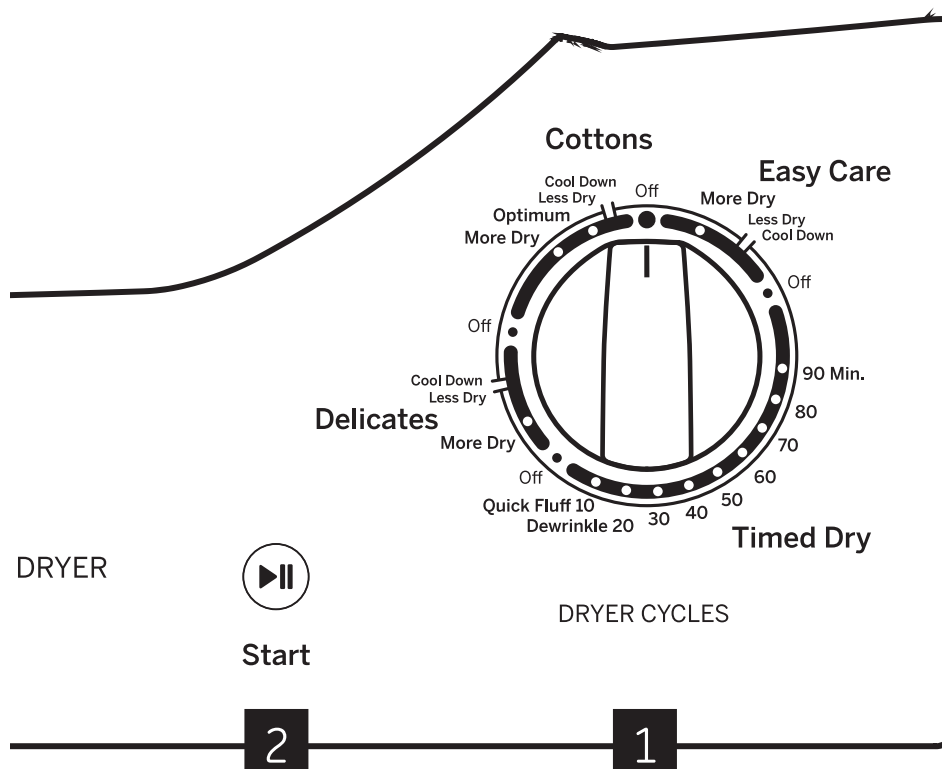
Aucune laveuse ne peut éliminer l'huile totalement.

NE séchez AUCUN article qui a déjà reçu un type d'huile quelconque (y compris les huiles de cuisson).

Les articles qui comportent de la mousse, du caoutchouc ou du plastique doivent sécher sur une corde à linge ou au moyen du cycle Sécher à l'air.

Le non-respect de ces instructions pourrait entraîner un décès ou un incendie.

Dans ce manuel, les caractéristiques et l'apparence peuvent varier selon votre modèle.



Note : Cet appareil est conçu pour permettre le fonctionnement simultané de la laveuse et de la sècheuse si désiré.

IMPORTANT: NETTOYEZ LE FILLTRE À PELUCHES CHAQUE FOIS QUE VOUS UTILISEZ LA SÈCHEUSE

1

Soin des vêtements/ Température

Cottons	Pour cottons communs ou lourds.
Delicates	Pour linges délicats, synthétiques et articles indiquants un séchage en machine à basse temp
EASY Care	Pour vêtements synthétiques, tissus mélangés, linges délicats ou imprimés permanents.
Quick Fluff	Pour aérer articles sans chaleur. Utilisez l'option du séchage minuté.

Cycles de Séchages

Cottons	Pour cottons et la plupart du linge. Pour la majorité des charges, utilisez Séchage Optmial
Delicates	Pour habits délicats, vêtements avec instructions précises de lavages et tricots.
Easy Care	Pour défaire les plis, imprimés permanents et linges délicats et tricots.
Timed Dry	Programmez à l'aide du Sélécteur de Cycle le temps de séchage désiré.
Dewrinkle	Pour enlever les plis des articles propres et secs ou qui sont encore légèrement humide.
Quick Fluff	Pour enlever les peluches des vêtements déjà secs, tissus, linges et oreillers. Utilisez le mode. Peluches Sans Chaleur . La sècheuse fonctionne pendant dix minutes sans chaleur.

Les cycles automatiques déterminent seuls le niveau de séchage et fournir un séchage automatique programmé. Le minuteur ne tourne pas pendant le cycle jusqu'à ce que le thermostat reconnaissent que les habits sont secs, le minuteur se place alors sur **Off**.

Utilisez **Less Dry (Moins Sec)** si vous voulez que votre linge soit légèrement humide à la fin du cycle.

Utilisez l'option **More Dry (Plus Sec)** si vous les voulez plus sec. Les cycles sont d'une durée définie.

Cycle minuté

Timed Dry	Pour un séchage manuel. Le minuteur fonctionne pendant toute la durée du cycle.
------------------	---

2

Start - Fermer la porte de la sècheuse. Appuyez sur **Start**. L'ouverture de la porte pendant le cycle interrompra le fonctionnement de la sècheuse. Pour la remettre en marche, fermez la et porte appuyez sur **Start** pour compléter le cycle.

Entretien et Nettoyage de la Sécheuse.



L'extérieur: Nettoyez ou dépoussiérez les résidus de lavage avec un linge humide. Le tableau des commandes pourrait être endommagé par certaines saletés ou terre ou par certains détachants. Appliquez ces produits loin de l'appareil. Le linge pourra ensuite être lavé et séché normalement. Les dommages causés à votre sècheuse par ces produits ne sont pas couverts par votre garantie.

Le filtre à peluches: Nettoyez le filtre avant chaque usage. Faites glisser la grille qui couvre le filtre. Passez vos doigts dans le filtre. Un résidu cireux peut être formé par l'utilisation d'adoucissants spéciaux pour séchage. Pour nettoyer ce résidu, lavez l'écran du filtre dans de l'eau chaude et savonnée. Séchez-le et remplacez le filtre à sa place. Ne pas utiliser la sècheuse sans le filtre et la grille en place. Faites venir un technicien pour vider la sècheuse des peluches une fois par an.

Intérieur et conduit de la sècheuse : L'intérieur de l'appareil et le conduit d'évacuation doivent être généralement confiés à un technicien qualifié.

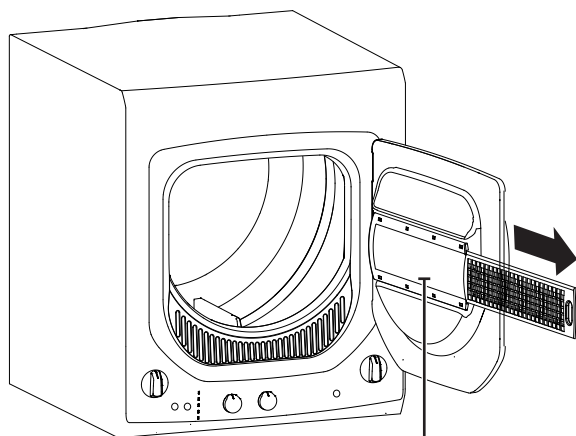
Le tuyau d'évacuation: Inspectez et nettoyez le tuyau d'évacuation au moins une fois par an pour éviter l'encrassement. Un tuyau encrassé peut rallonger le temps de séchage.

Suivez les instructions suivantes

1. Débranchez l'alimentation en électricité en quittant le câble de la prise électrique murale.
2. Débranchez le conduit de la sècheuse.
3. Faites le vide du conduit à l'aide du tuyau d'eau et reconnectez le conduit.

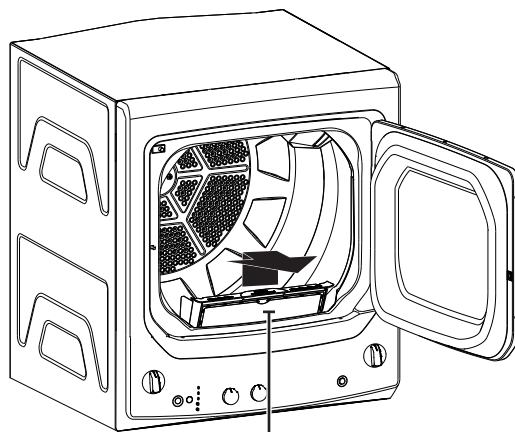
Le capot d'évacuation: Contrôlez à l'aide d'un miroir que les rabats intérieurs du capot puissent bouger librement pendant le fonctionnement. Faites attention qu'il n'y ait pas d'animaux ou d'insectes dans le tuyau ou dans le capot.

Modèle : **GUD24**



Filtre à peluches
derrière la grille

Modèle : **GUD27, GUD37**



Filtre à peluches
derrière la grille



Ventilation de la Sécheuse

Pour pouvoir fournir la meilleure efficacité de séchage, la sécheuse doit être ventilée correctement. La sécheuse utilisera plus d'énergie et aura besoin de plus de temps si elle n'est pas ventilée correctement selon les instructions ci-dessous. Suivez attentivement les instructions de Ventilations de l'appareil énumérées ci-dessous.

⚠ AVERTISSEMENT - Risque d'incendie

L'air de la sécheuse **DOIT** être évacué vers l'extérieur.

Utilisez seulement des tuyaux métalliques rigides de 10,2 cm (4 po) pour le conduit d'évacuation du domicile.

Utilisez seulement des tuyaux métalliques rigides de 10,2 cm (4 po) ou des conduits de transition pour sécheuse homologués UL pour brancher la sécheuse au conduit d'évacuation du domicile.

N'employez **PAS** un évent en plastique.

N'employez **PAS** un évent en feuille métallique.

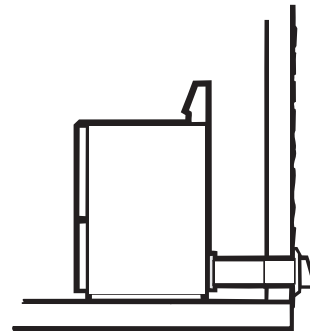
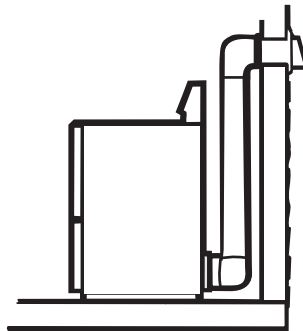
Ne dirigez **PAS** l'évacuation dans une cheminée, la hotte de cuisine, un évent à gaz, un mur, un plafond, un comble, un vide sanitaire ou un espace dissimulé d'un bâtiment.

N'installez **PAS** un grillage dans ou par-dessus le conduit d'échappement.

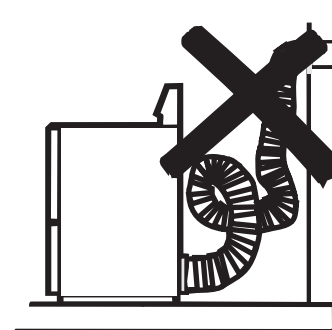
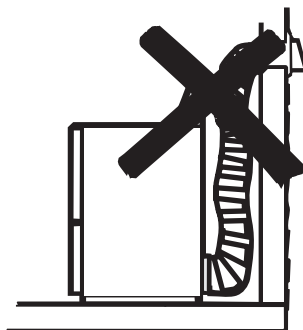
N'utilisez **PAS** un conduit dont la longueur dépasse celle spécifiée dans le tableau des longueurs d'échappement.

L'omission d'observer ces directives peut entraîner le décès ou l'incendie.

Ventilation
Correcte



Ventilation
Incorrecte



Avant d'appeler le Service Réparation...



Astuces de réparation Economisez du temps et de l'argent! Réviser les tableaux sur les pages suivantes, ou visitez www.electromenagersge.ca. Cela vous évitera peut-être d'appeler le service réparation.

<i>Eau</i>	<i>Causes Possibles</i>	<i>Que faire</i>
<i>Trop d'émulsion</i>	Trop de détergent	Mesurez votre détergent avec attention. Utilisez moins de savon si vous utilisez de l'eau douce, une petite charge ou une charge peu salie.
<i>Fuite d'eau</i>	Usage de trop de détergent	Utilisez moins de détergent. Utilisez moins de savon si vous utilisez de l'eau douce, une petite charge ou une charge peu salie.
	Les tuyaux de remplissage ou d'échappement ne sont pas bien connectés	Assurez-vous que les connexions soient bien accrochées aux robinets et les joints en gomme soient installés. Assurez-vous que l'embouchure du tuyau d'échappement soit installé correctement et bien fixé à l'appareil de drainage.
	La sortie d'eau de la maison est bouchée	Contrôlez la plomberie. Il faut peut-être appeler un plombier.
	Pression constante sur le tuyau de remplissage à l'arrivée d'eau.	Resserez les tuyaux aux robinets et éteignez l'eau après chaque utilisation. Vérifiez l'état des tuyaux de remplissage; ils doivent normalement être remplacés chaque 5 ans.
<i>La température de l'eau semble incorrecte</i>	Les températures d'eau plus fraîches augmentent l'efficacité de l'énergie	Les nouveaux détergents pour le linge sont formulés de manière à fonctionner avec de l'eau plus froide sans léser la performance du lavage.
	L'apport d'eau est éteint ou connecté incorrectement.	Ouvrir les deux robinets chaud et froid complètement et assurez-vous que les tuyaux soient accrochés correctement aux robinets.
	Les écrans des valves d'eau sont stoppés	Eteignez l'arrivée d'eau et déconnectez les tuyaux de connection d'eau de la partie arrière supérieure de la laveuse. Utilisez une brosse ou une tige pour nettoyer les écrans de la machine. Rebranchez les tuyaux et rallumez l'eau.
	Le chauffe-eau de la maison n'est pas bien ajusté	Assurez-vous que le chauffe-eau de la maison fait chauffer l'eau à 120°F-140°F (48°C - 60°C)
<i>L'eau est évacuée avant que le cycle soit complété</i>	Le couvercle est ouvert ou le cycle se trouve en pause depuis + de 24 hr.	Recommencez le cycle
<i>L'eau n'est pas évacuée</i>	Le tuyau de drainage est tordu ou il n'est pas bien connecté	Redressez le tuyau de drainage et assurez-vous que la laveuse n'est pas posée dessus. La sortie d'eau doit se trouver à moins de 8 ft (2.5m) du sol.
<i>La laveuse se met en pause pendant le cycle</i>	Ceci est normal	Il est possible que la laveuse se mette en pause pendant le cycle pour évacuer l'eau savonneuse avec plus d'efficacité.
<i>Vous entendez l'eau mais vous ne la voyez pas à la fin du cycle</i>	Ceci est normal	La pompe garde un peu d'eau et la dilue avec de l'eau de rinçage propre.

<i>Opération de la laveuse</i>	<i>Causes Possibles</i>	<i>Que faire</i>
<i>La laveuse ne veut pas fonctionner ou se mettre en marche</i>	La laveuse n'est pas branchée	Assurez-vous que le câble soit bien branché à une prise fonctionnelle.
	L'arrivée d'eau est coupée	Ouvrez les robinets chaud et froid à fond.
	Les commandes ne sont pas ajustées correctement	Vérifiez les commandes.
	Le couvercle est ouvert - les verrous de sécurité empêchent l'essorage et la rotation	Fermez bien le couvercle et recommencez le cycle, depuis le début si nécessaire.
	Le disjoncteur / le fusible a lâché / est cassé	Vérifiez les fusibles et le disjoncteur. Remplacez les fusibles ou rallumer le disjoncteur. La laveuse doit être branchée séparément.
	Il faut réinitialiser l'électronique	Débranchez la laveuse, attendez 2 minutes, rebranchez et appuyez Start .
	Start n'a pas été appuyé	Appuyez sur Start .
	L'éman du couvercle manque	Appelez le Service de réparation.
<i>Mouvement dans la machine quand elle est off</i>	Le mécanisme de démarrage allume et etteint le moteur	Quand la machine est etteinte manuellement, le mécanisme etteint le moteur avant la mise hors service complète de l'appareil. Si le couvercle est levé avant l'arrêt du moteur, cette procédure se complètera une fois le couvercle fermé.
<i>Performances de la laveuse</i>	<i>Causes Possibles</i>	<i>Que faire</i>
<i>Habits trop mouillés</i>	Mauvais cycle d'essorage	Assurez-vous que le cycle d'essorage sélectionné concorde avec la charge que vous lavez. Certains linge se sentent plus mouillés quand rincés à l'eau froide.
<i>Endroits colorés</i>	Usage incorrect de l'adoucissant	Vérifiez les instructions de l'adoucissant sur l'emballage et suivez bien le mode d'emploi quand vous l'employez avec le diffuseur. Pré-traiter la tâche et relaver ensuite.
	Si des couleurs déteignent	Triez les habits blancs ou à couleurs claires des habits sombres.
<i>Vêtements devenus grisâtre ou jaune</i>	Pas assez de détergent	Utilisez plus de détergent (surtout avec les charges plus grosses). Suivez bien les instructions d'utilisation du détergent.
	Eau calcaire	Utilisez un produit contre le calcaire tel que Calgon ou installez un filtre à calcaire pour adoucir l'eau.
	L'eau n'est pas assez chaude	Assurez-vous que le chauffe-eau alimente l'appareil avec une eau à 120°F-140°F (48°C- 60°C).
	La laveuse est surchargée	Sélectionnez la taille de la charge en fonction de la charge d'habits.
	Détergent ne se dissoud pas	Ajoutez le détergent pendant que le tambour se remplit d'eau avant de mettre les habits.
	Si des couleurs déteignent	Trier les habits par couleur, si les instructions sur l'habit stipule qu'il faut laver séparément, il pourrait déteindre.
<i>Peluches ou résidus sur les vêtements</i>	Habits séchés à l'air	Si vous n'utilisez pas de sècheuse pour sécher votre linge, les habits peuvent retenir plus de peluches.
	Triage incorrect	Séparez les linges qui font des peluches de ceux qui les attirent.
	Lavage dure trop longtemps	Lavez de plus petites charges moins de temps que des grande charges
	Détergent ne se dissoud pas	Ajoutez le détergent pendant que le tambour se remplit d'eau avant de mettre les habits
		Essayez un détergent liquide.
		Utilisez des températures d'eau plus chaude.
	Surcharge	Ne chargez pas plus d'habits que la dernière rangée de trous dans le tambour.
Usage incorrect de l'adoucissant	Quand la pompe commence à aspirer de l'air, elle produit un gargouillement. La laveuse commence alors à essorer et le bruit continue jusqu'à ce que l'essorage soit terminé.	

Avant d'appeler le Service Réparation...

Opération de la Laveuse	Causes Possible	Que faire
Boulochage	Résultat d'habits normaux sur du poly-cotton et des linges qui laissent des peluches	Tant que l'incident n'est pas causé par la laveuse vous pouvez réduire le boulochage en lavant les vêtements à l'envers (dehors/ dedans).
Accrochages, trous, rayures, déchirures ousage excessif	Pins, accroches, crochets, boutons coupants, ceintures, fermeture éclair et autres objets laissés dans les poches	Fermez les accroches, crochets, boutons et fermeture éclair.
		Quittez les objets tels que pins et autres se trouvant dans les poches.
	Javel au chlore non-diluée	Retournez les tricots (qui s'accrochent facilement).
		Vérifiez les instructions du sachet de javel pour savoir le montant exact. Ne jamais ajouter de la javel non-diluée pour le lavage ou permettre que les habits entrent en contact avec de la javel non-diluée.
Produits chimiques tels que solutions pour les cheveux ou solutions permanentes	Rincez les articles qui ont des produits chimiques avant de les laver.	
Plis dans les habits	Triage incorrect	Evitez de mélanger les habits lourds (tels que habits de travail) avec des habits légers (tels que des blouses). Essayez un adoucissant pour vêtements.
	Surcharge ou niveau d'eau incorrect	Remplissez votre laveuse de manière à ce que les vêtements puissent bouger librement en ayant le niveau d'eau couvrant juste les habits.
	Cycle de lavage ou de sechage incorrect	Choisissez le cycle en fonction du type de linge que vous lavez (spécialement pour les charges de vêtements faciles à laver).
	Lavage répété dans de l'eau trop chaude	Lavez dans de l'eau chaude ou froide.
Effets sonores de la laveuse	Causes Possibles	Que faire
"Bruits métalliques"	Mécanisme de transmission s'active ou se désactive	Le système se mets en marche au début de l'agitation et se désactive une fois l'agitation terminée. Ceci arrive plusieurs fois pendant le lavage.
Un bruit d'aller-venue ou un léger "click" pendant l'agitation	Le moteur électrique change de direction	L'appareil comporte un système de transmission sans vitesses. Ce bruit vient du moteur qui fait des aller-retours pour agiter votre linge.
De courts bruits d'agitation à la fin de l'essorage	Redistribution des habits	A la fin de l'agitation, le moteur provoque de courtes agitations pour redistribuer la charge.
"Click" quand l'eau finit le remplissage	Relais du cycle à l'interrupteur	Le relais produit un "click" quand il est activé. Le niveau de l'eau active le relais et stoppe le remplissage.
"Click" derrière le tableau des com. pendant le remplissage	Température automatique Valve de Contrôle	Cette valve mélange l'eau chaude et l'eau froide. Ce "click" représente la valve qui s'allume et s'éteint.
Le volume de l'eau change pendant le remplissage	Température automatique Valve de Contrôle	Cette valve mélange l'eau chaude et l'eau froide. Le son change quand ces valves s'allument ou s'éteignent.
Le moteur "gémît" ou "s'apaise" pendant l'essorage	Le moteur s'accélère/ralentit pendant le cycle d'essorage	Le moteur va s'accélérer par niveau pendant le cycle d'essorage. Quand l'essorage est complet, il va ralentir jusqu'à l'arrêt complet.
"Bourdonnement"	La pompe d'évacuation d'eau	La pompe d'évacuation va produire un bourdonnement pendant le pompage de l'eau après l'arrêt de l'agitation et jusqu'à la fin du cycle.
"Gargouillement"	La pompe d'évacuation d'eau	Quand la pompe commence à aspirer de l'air, elle produit un gargouillement. La laveuse commence alors à essorer et le bruit continue jusqu'à ce que l'essorage soit terminé.

<i>Problèmes de Sécheuse</i>	<i>Causes Possibles</i>	<i>Que faire</i>
<i>La sécheuse ne démarre pas</i>	La sécheuse n'est pas branchée	Assurez-vous que le câble de la sècheuse soit branchée correctement à la prise électrique.
	Le fusible est cassé ou le disjoncteur a sauté	Vérifiez la boîte à fusible/disjoncteur et remplacez les fusibles ou rallumez le disjoncteur. Note: la majorité des laveuses utilisent 2 fusibles/disjoncteurs.
<i>La sécheuse ne chauffe pas</i>	Le fusible est cassé ou le disjoncteur a sauté.	Vérifiez la boîte à fusible/disjoncteur et remplacez les deux fusibles ou rallumez les deux disjoncteurs. Votre sècheuse tremble juste quand un des fusibles est cassé ou un disjoncteur a sauté.
	L'arrivée de gaz est éteinte	Assurez-vous que l'arrivée de gaz est fermée ou ouverte pleinement.
<i>La sécheuse tremble ou fait du bruit</i>	Un certain tremblement/bruit est normal. La sècheuse n'est pas bien posée à plat	Changez la sècheuse à un endroit plat ou ajustez le niveau des pieds de l'appareil jusqu'à ce que la hauteur soit la même.
<i>Tâches grasses sur les vêtements</i>	L'utilisation incorrecte de l'adoucissant	Suivez les instructions sur l'emballage.
	Séchage d'habits sales avec d'autres propres	Utilisez votre sècheuse uniquement pour sécher des habits propres. Les habits sales peuvent salir les autres vêtements et aussi la sècheuse.
	Les habits n'étaient pas complètement propres	Parfois, la saleté qui ne se voit pas quand les habits sont mouillés se voit après le séchage. Lavez bien le linge avant de le sécher.
<i>Peluches sur les habits</i>	Le filtre à peluches est plein	Nettoyez le filtre à peluches avant chaque charge.
	Triage incorrect	Triez les habits à peluches (chenille) de ceux qui les attirent (velours).
	L'électricité statique peut attirer les peluches	Voir les recommandations dans cette section sous STATIQUE.
	Surcharge	Séparez les grandes charges en de plus petites.
	Papier, mouchoirs, etc. laissés dans les poches	Videz toutes les poches avant de laver les vêtements.
<i>Electricité statique</i>	Quand aucun adoucissant n'est utilisé	Essayez un adoucissant pour vêtements.
		Bounce Conditioner Dryer Sheets pour vêtements ont été approuvées pour usage dans toutes les sècheuses GE quand elles sont utilisées conformément au mode d'emploi fourni par le fabricant.
	Surséchage	Essayez un adoucissant pour vêtements.
		Ajustez le cycle sur Less Dry .
Habits synthétiques, imprimés permanents et autres linges causant l'électricité statique	Utilisez un adoucissant pour vêtements	
<i>Temps de séchage incorrect</i>	Type de chaleur	Les temps automatiques de séchage vont varier avec le type de chaleur utilisé (électrique, naturel ou LP gaz), taille de la charge, habits, d'eau dans les vêtements et de la condition des tuyaux d'évacuation.

Avant d'appeler le Service Réparation...

Problèmes de Sécheuse	Causas Possibles	Que faire
Le linge met trop de temps à sécher	Triage incorrect	Séparez les articles lourds des plus légers (en général, une charge bien triée pour le lavage est une charge bien triée pour le séchage).
	De grandes charges de linge lourd (ex: serviettes de plage)	Les grands linges lourds contiennent plus d'humidité et prennent plus longtemps pour sécher. Séparez les charges de linges lourds en de plus petites afin de réduire le temps de séchage.
	Commandes pas bien réglées	Ajustez les réglages conformément à la charge que vous séchez.
	Le filtre à peluches est plein	Nettoyez le filtre avant chaque charge.
	Conduit sale ou obstrué	Vérifiez l'installation pour obtenir une ventilation/évacuation correcte.
		Assurez-vous que le conduit soit propre, dénoué et pas obstrué.
		Vérifiez que l'évacuateur d'humidité extérieur fonctionne bien. Vérifiez les instructions d'installation pour vous assurer que la ventilation de la sécheuse se fait correctement.
	Fusibles ou disjoncteurs ont sauté	Remplacez les fusibles ou rallumez les disjoncteurs. La plupart des sécheuses utilisent 2 fusibles/disjoncteurs, vérifiez l'état de tous.
	Surcharge/mélange des charges	Ne pas placer plus d'une charge de lavage dans la sécheuse.
Souscharge	Si vous séchez juste un ou deux articles, ajoutez quelques articles pour assurer une agitation et un séchage corrects.	
Les habits sont froissés	Surséchage	Selectionnez un cycle de séchage plus court.
		Enlevez les habits quand ils sont encore un peu humide. Choisissez l'option Less Dry .
	Les habits restent dans la sécheuse après la fin du cycle	Enlevez les habits immédiatement après la fin du cycle et pliez-les ou pendez-les tout de suite.
Les habits rétrécissent	Surcharge	Séparez les grandes charges en de plus petites.
		Certains linges vont automatiquement rétrécissent au lavage D'autres peuvent être lavés mais rétrécissent au séchage
		Pour éviter le rétrécissement, suivez les instructions de lavage sur le linge Certains habits peuvent retrouver leur taille normale après séchage. Si vous êtes inquiet concernant le rétrécissement d'un habit en particulier, ne le lavez pas en laveuse et ne le séchez pas dans la sécheuse.



Toutes les réparations sans garantie seront effectuées par nos centres de réparation ou nos réparateurs autorisés. Appelez le 800.561.3344. Veuillez fournir le numéro de série et le numéro de modèle lorsque vous appelez pour obtenir le service.

Agrafez le reçu d'achat ici. Pour obtenir le service sous garantie, vous devrez fournir la preuve de l'achat original.

Ce qui n'est pas couvert:

Un an

à partir de la date d'achat initial

Toute pièce du Centre Buanderie qui se à cause d'un vice de matériau ou de la main-d'oeuvre. Au cours de cette **année de garantie limitée**, GE fournira, **gratuitement**, toute la main-d'oeuvre et el service à la maison nécessaires pour remplacer la pièce défectueuse.

Ce qui n'est pas couvert:

- Tout déplacement de service chez vous pour vous apprendre à utiliser votre Centre Buanderie.
- Toute mauvaise installation.
Si vous avez un problème d'installation, appelez votre revendeur ou un installateur. Vous êtes responsable de fournir une bonne alimentation électrique, un bon échappement et tout autre branchement nécessaire.
- Toute panne du produit s'il a été malmené, mal utilisé ou utilisé à une autre fin que celle prévue ou utilisé commercialement.
- Tout remplacement des fusibles de la maison ou tout rebranchement de disjoncteurs.
- Tout dommage occasionné par un accident, un incendie, une inondation ou un acte de Dieu.
- Tout dommage subi après la livraison.
- Le service s'il est impossible d'avoir accès au produit pour ce faire.

EXCLUSION DES GARANTIES IMPLICITES—Votre seul et unique recours est la réparation du produit selon les dispositions de cette Garantie limitée. Toutes les garanties implicites, incluant les garanties de commercialité et d'adéquation à un usage spécifique, sont limitées à une année ou à la période la plus courte autorisée par la législation.

Cette garantie est valable pour le premier propriétaire et tout autre propriétaire du produit s'il acheté au Canada pour utilisation domestique ou Canada. Le service à domicile sous garantie sera fourni là où il est disponible et dans les régions que Mabe considère que l'offre de service est raisonnable.

LE GRANT N'EST PAS RESPONSABLE DES SOMMAGES CONSÉCUTIFS.

Garant : MC COMMERCIAL, Burlington, L7R 5B6

Soutien au consommateur.



Site Web appareils électroménagers GE www.electromenagersge.ca

Vous avez une question ou vous avez besoin d'aide pour votre appareil électroménager? Contactez-nous par Internet au site www.electromenagersge.ca 24 heures par jour, tous les jours de l'année.



Service de réparations

800.561.3344

Service de réparations GE est tout près de vous.

Pour faire réparer votre électroménager GE, il suffit de nous téléphoner.



Studio de conception réaliste

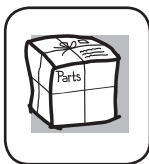
Sur demande, GE peut fournir une brochure sur l'aménagement d'une cuisine pour les personnes à mobilité réduite.

Appelez le 800.561.3344



Prolongation de garantie

Veillez consulter votre annuaire pour trouver un fournisseur de garantie prolongée local.



Pièces et accessoires

Les directives stipulées dans le présent manuel peuvent être effectuées par n'importe quel utilisateur. Les autres réparations doivent généralement être effectuées par un technicien qualifié. Soyez prudent, car une réparation inadéquate peut affecter le fonctionnement sécuritaire de l'appareil.

Veillez consulter votre annuaire pour trouver un distributeur local de pièces GE.

Autrement, appelez-nous au 800.661.1616.



Contactez-nous

Si vous n'êtes pas satisfait du service après-vente dont vous avez bénéficié :

Premièrement, communiquez avec les gens qui ont réparé votre appareil.

Ensuite, si vous n'êtes toujours pas satisfait envoyez tous les détails-numéro de téléphone compris-au

Directeur, Relations avec les consommateurs, MC Commercial

Bureau 310, 1 Factory Lane

Moncton, N.B. E1C 9M3



Inscrivez votre appareil électroménager www.electromenagersge.ca

Inscrivez votre appareil électroménager en direct, aussitôt que possible. Cela améliorera nos communications et notre service après-vente. Vous pouvez également nous envoyer par la poste le formulaire d'inscription joint à votre documentation.



Lavadora/Secadora

Instrucciones de Seguridad... 2-5

Instrucciones de Funcionamiento

Cuidado y Limpieza de la Secadora..... 12

Cuidado y Limpieza de la Lavadora..... 9

Panel de Control de la Secadora..... 10

Panel de Control de la Lavadora..... 6

Ajustes de Control de la Secadora... 10

Ajustes de Control de la Lavadora... 6, 7

Funciones de la Lavadora..... 8

Carga y Uso de la Secadora 13

Carga y Uso de la Lavadora 9

Solución de la Problemas

Solución de la Problemas de la Lavadora..... 14-16

Solución de la Problemas de la Secadora 17, 18

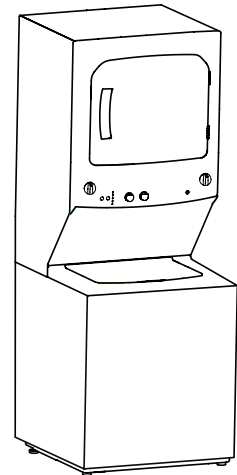
Atención al Cliente

Atención al Cliente 20

Garantía 19

Manual del Propietario

- GUD24
- GUD27
- GUD37




Escriba los números de modelo y de serie aquí:


Nº de Modelo _____


Nº de Serie _____


Abra la puerta de la Secadora para consultar la etiqueta con el número de Modelo y Serie.

INFORMACIÓN DE SEGURIDAD IMPORTANTE. LEA TODAS LAS INSTRUCCIONES ANTES DE USAR.


 Éste es el símbolo de alerta de seguridad. El mismo alerta sobre potenciales riesgos que le pueden producir la muerte o lesiones tanto a usted como a otras personas. Todos los mensajes de seguridad estarán a continuación del símbolo de alerta de seguridad y con la palabra "PELIGRO", "ADVERTENCIA" o "PRECAUCIÓN". Estas palabras se definen como:

 **PELIGRO** Indica una situación de riesgo que, si no se evita, **producirá** la muerte o lesiones graves.

 **ADVERTENCIA** Indica una situación de riesgo que, si no se evita, **podría** producir la muerte o lesiones graves.

 **PRECAUCIÓN** Indica una situación de riesgo que, si no se evita, **podría** resultar en lesiones menores o moderadas.

INSTRUCCIONES IMPORTANTES DE SEGURIDAD

 **ADVERTENCIA** Para reducir el riesgo de muerte, incendio, explosión, descargas eléctricas o lesiones sobre las personas al usar su electrodoméstico, siga las precauciones básicas, incluyendo lo siguiente:

- Lea todas las instrucciones antes de usar este electrodoméstico.
- NO lave ni seque prendas que en forma previa hayan sido secadas, lavadas, mojadas o manchadas con gasolina, solventes de limpieza en seco, u otras sustancias inflamables o explosivas, ya que despiden vapores que se podrían encender o explotar.
- NO coloque prendas expuestas a aceites de cocción en su secadora. Las prendas contaminadas con aceites de cocción podrán contribuir a una reacción química que podría hacer que una carga de ropa se prenda fuego.
- NO agregue gasolina, solventes de limpieza en seco, u otras sustancias inflamables o explosivas al agua de lavado. Estas sustancias despiden vapores que se podrían prender fuego o explotar.
- Bajo ciertas condiciones, se podrá producir gas de hidrógeno en un sistema de agua caliente que no fue usado por 2 semanas o más. EL GAS DE HIDRÓGENO ES UN EXPLOSIVO. Si el sistema de agua caliente no fue usado por dicho período, antes de usar una lavadora, abra todos los grifos de agua caliente y deje que corra agua de cada uno durante varios minutos. Esto liberará cualquier gas de hidrógeno acumulado. Debido a que el gas es inflamable, NO fume ni use una llama abierta durante este proceso.
- NO permita que los niños jueguen sobre o dentro de este electrodoméstico. Cuando el electrodoméstico se use cerca de niños, será necesario supervisarlos de cerca. Antes de que el aparato está fuera de servicio o desecharla, quite la puerta y la tapa de los compartimentos de secado y lavado. Si no se siguen estas instrucciones, se podrá producir la muerte o lesiones personales.
- NO introduzca las manos en el electrodoméstico si el tambor, el tambor o agitador se encuentra en movimiento a fin de evitar enredos accidentales.
- NO utilice calor para secar artículos que contengan gomaespuma o materiales de goma con textura similar.
- Limpie la rejilla para pelusas antes o después de cada carga. NO utilice la secadora si el filtro de pelusas no se encuentra colocado.
- NO utilice suavizantes de tela ni productos para eliminar la estática, a menos que esto sea recomendado por el fabricante del suavizante de tela u otro producto.
- No guarde materiales combustibles, gasolina u otros líquidos inflamables cerca de la secadora. Evite la acumulación de pelusa, polvo o tierra alrededor del área de la apertura de ventilación y áreas adyacentes. Mantenga el área de la secadora despejada y libre de objetos que puedan obstruir el flujo del aire de la ventilación y combustión.
- La parte interior del electrodoméstico y el conducto de ventilación se deberán limpiar periódicamente por personal calificado del servicio técnico.
- NO instale ni guarde este electrodoméstico donde quede expuesto a los factores climáticos.
- NO manipule indebidamente los controles, reparar ni reemplazar cualquier parte del electrodoméstico o realizar cualquier otro trabajo técnico, a menos que esto sea específicamente recomendado en las instrucciones de mantenimiento del usuario o en instrucciones publicadas sobre reparaciones del usuario, que entienda y para las cuales posea las destrezas necesarias.
- NO intente usar este electrodoméstico si se encuentra dañado, funcionando mal, parcialmente desensamblado, o si tiene partes faltantes o rotas, incluyendo un cable o enchufe dañado.

INSTRUCCIONES IMPORTANTES DE SEGURIDAD

- Desenchufe el electrodoméstico o apague el disyuntor antes de realizar el servicio técnico. Presionar el botón **Power** (*Encendido*) o **Start/Pause** (*Inicio/Pausa*) NO desconecta el encendido.
- NO rocíe ningún tipo de aerosol dentro, sobre ni cerca de el electrodoméstico, en ningún momento. No use ningún tipo de limpiador en spray para limpiar el interior de la secadora. Se podrán producir vapores o una descarga eléctrica.
- No coloque artículos que se puedan incendiar o derretir (tales como ropa, materiales de papel, plásticos o envases de plástico, etc.) en la parte superior del electrodoméstico ni colgando de la puerta.
- Nunca suba ni se pare sobre la unidad de almacenamiento.
- Para acceder a las instrucciones de conexión a tierra, lea los "Requisitos Eléctricos" ubicados en las Instrucciones de Instalación.

GUARDE ESTAS INSTRUCCIONES

ADVERTENCIAS ADICIONALES SOBRE LA SECADORA A GAS



ADVERTENCIA

Para su seguridad, siga las instrucciones de este manual a fin de minimizar riesgos de incendio o explosión, o para evitar daños, lesiones personales o la muerte.

- NO guarde ni use gasolina u otros vapores y líquidos inflamables cerca de éste ni de otros electrodomésticos.
- QUÉ DEBE HACER SI HUELE GAS:
 - NO intente iluminar ningún electrodoméstico.
 - NO toque ningún interruptor eléctrico; NO use teléfonos en su edificio.
 - Haga que se retiren los ocupantes de la sala, edificio o área.
 - De inmediato llame a su proveedor de gas desde el teléfono de un vecino. - Siga las instrucciones del proveedor de gas.
 - Si no se puede comunicar con su proveedor de gas, llame al departamento de bomberos.
- La instalación y las reparaciones deberán ser realizadas por un instalador calificado, agencia de servicios o el proveedor de gas.

Advertencias de la Proposición 65 del Estado de California:

La Ley sobre Agua Potable Inocua y Tratamiento de Residuos Tóxicos de California (California Safe Drinking Water and Toxic Enforcement Act) solicita al Gobernador de California que publique una lista de sustancias que el estado reconoce que producen cáncer, defectos de nacimiento u otros daños reproductivos y solicita a las empresas que adviertan sobre la posible exposición a tales sustancias.



ADVERTENCIA

Este producto contiene uno o más químicos que el Estado de California entiende que producen cáncer, defectos en el nacimiento u otros daños reproductivos.

Los electrodomésticos a gas puedan causar una exposición de bajo nivel a algunas de estas sustancias, incluyendo benceno, monóxido de carbono, formaldehído y hollín, ocasionado principalmente por la combustión incompleta de gas natural o combustibles de LP. La exposición a estas sustancias puede ser minimizada ventilando correctamente la secadora hacia el exterior.

GUARDE ESTAS INSTRUCCIONES

INFORMACIÓN DE SEGURIDAD IMPORTANTE. LEA TODAS LAS INSTRUCCIONES ANTES DE USAR.

INSTALACIÓN CORRECTA

La lavadora se debe instalar y colocar correctamente de acuerdo con las instrucciones de instalación, antes de utilizarla. Si no recibió la hoja con instrucciones de instalación, puede obtener una visitando **GEAppliances.com** o llamando al **800.GE.CARES** (800.432.2737).

- Asegúrese de que la manguera de agua caliente esté conectada a la válvula "H" y que la manguera de agua fría esté conectada a la válvula "C".
- Instale o almacene la lavadora en un lugar donde no esté expuesta a temperaturas bajo cero ni a las inclemencias climáticas, ya que esto puede provocar daños irreversibles e invalidar la garantía.
- Conecte correctamente a tierra la lavadora de conformidad con todos los códigos y ordenanzas regulatorias. Siga la información de Instrucciones de instalación.

ADVERTENCIA - **Riesgo de Descarga Eléctrica**

Enchufe en un tomacorriente con conexión a tierra de 3 cables.

NO retire la conexión a tierra.

NO UTILICE un cable de extensión.

NO UTILICE un enchufe adaptador con este artefacto.

Si no cumple con esto, se podrá producir la muerte, incendio o descarga eléctrica.

- Esta lavadora incluye mangueras de suministro de agua.

GE recomienda enfáticamente el uso de piezas especificadas de fábrica. A continuación se encuentra una lista de mangueras de fábrica disponibles para la compra. Estas mangueras están fabricadas y probadas para cumplir con las especificaciones de GE.

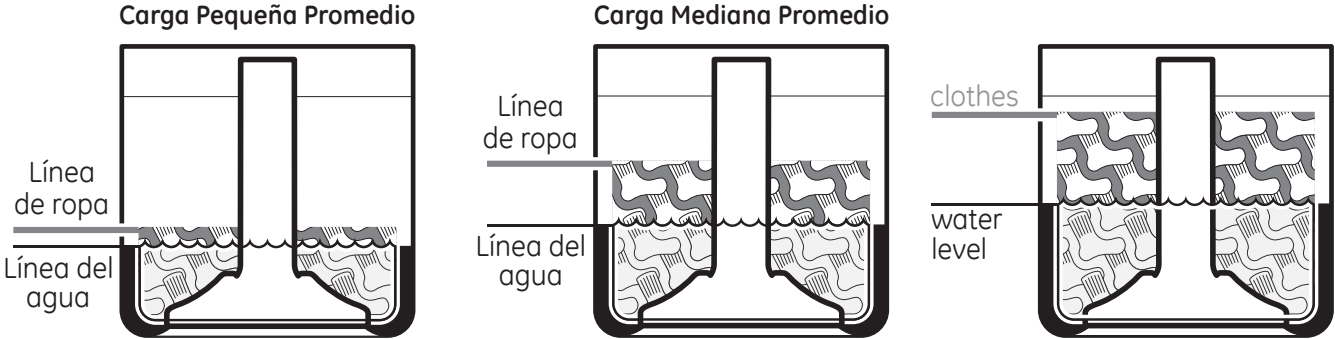
GE recomienda enfáticamente el uso de mangueras nuevas de suministro de agua. Las mangueras se desgastan con el tiempo y deben reemplazarse cada 5 años para reducir el riesgo de fallas en las mangueras y daños provocados por el agua.

Piezas y accesorios

Solicítelos on-line hoy mismo a **GEApplianceparts.com**, las 24 horas del día o por teléfono al 800.626.2002 en horario normal de trabajo.

Número de Pieza	Accesorio
PM14X10002	Mangueras de goma de suministro de agua de 4 pies
O	
PM14X10005	Mangueras de metal trenzada de suministro de agua de 4 pies
WX10X10011	Limpiador Tide® para Lavadoras*
PM7X1	Bandeja del Piso de la Lavadora

CAPACIDAD DE LA LAVADORA:



CUANDO NO ESTÉ EN USO

- Cierre las llaves de paso minimizar las fugas en caso de que se produzca una rotura o grieta. Compruebe el estado de las mangueras de llenado; GE recomienda el cambio de las mangueras cada 5 años.

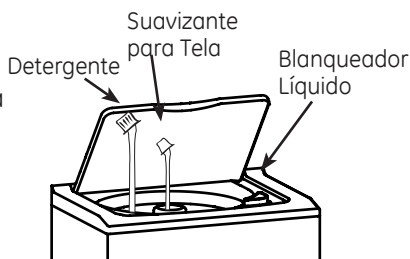
GUARDE ESTAS INSTRUCCIONES

Sobre el panel de control de la Lavadora

Guía de Inicio Rápido

Paso 1

- Agregue detergente
- Agregue suavizante para tela (opcional)
- Agregue blanqueador líquido (opcional)



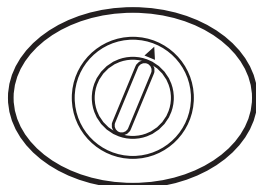
Paso 2

- Agregue ropa



Paso 3

- Seleccione el tamaño de la carga y otras opciones de lavado
- Seleccione el ciclo de lavado



Paso 4

- Cierre la tapa
- Presione **Start** (Iniciar)

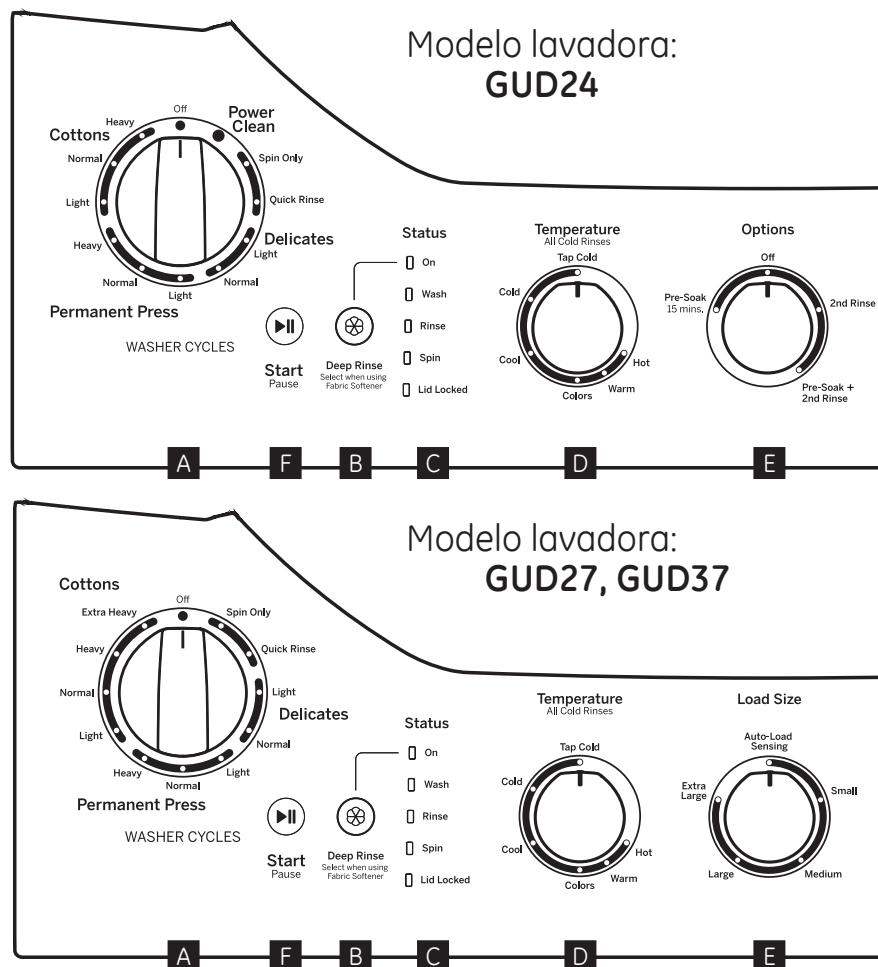


LID LOCKED (CIERRE DE LA TAPA)

Su lavadora cuenta con un sistema de seguridad que evita la apertura de la tapa durante el ciclo de centrifugado. El cierre de la tapa evita que cualquier persona (especialmente los niños) llegue a la lavadora mientras la canasta está girando. El cierre de la tapa se liberará dentro de los 5 segundos luego de que la canasta deje de girar.

Intentar abrir la tapa mientras está cerrada puede producir lesiones. Si la tapa no se destraba luego de girar, comuníquese al servicio técnico.

NOTA: Si hay un apagón el cierre de bloqueo automático de la tapa puede tardar 3 minutos en liberarse.



Nota: Este electrodoméstico está diseñado para que la lavadora y la secadora se puedan usar al mismo tiempo, si así se desea.

A Selector de Ciclo de Lavado

El ciclo de lavado controla la duración e intensidad del proceso de lavado. La perilla se puede girar en cualquier dirección. Girar la perilla Cycle Selector (Selector de Ciclo) luego de iniciar un ciclo detendrá la lavadora y reiniciará el ciclo en una nueva selección. Presione **Start** (Iniciar) para comenzar la selección del nuevo ciclo.

El siguiente cuadro le ayudará a configurar el ciclo de lavado correcto para su ropa. El cuadro cuenta con un rango del ciclo de tiempo más largo al más corto y la intensidad de lavado. (Los ciclos varían de acuerdo al modelo).

Power Clean (Limpia de energía) - Utiliza más agua que los ciclos de lavado estándar. Se recomienda para cargas extra grandes y prendas muy sucias.

Cottons (Algodones) - Para algodones con mucha o poca suciedad, ropa blanca, ropa de trabajo o de juego.

Permanent Press (Planchado Permanente) - Para artículos sin arrugas y planchado permanente, y tejidos.

Delicates (ROPA DELICADA) - Para lencería y telas que requieren cuidado especial con suciedad entre suave y normal.

Spin Only (Sólo Centrifugado) - Para drenar la bañera y el agua de la ropa.

Quick Rinse (Enjuague Rápido) - Enjuaga y centrifuga artículos sin suciedad cuando sólo se desee un enjuague.

Off (Apagar) - La lavadora se apaga y el botón **Start** (Inicio) no funciona.

NOTA: Cuando el control se coloca en OFF (Apagar), las luces de **Status** (Estado) se apagan.

NOTA: El selector de ciclo no gira durante el funcionamiento de la lavadora.

B Deep Rinse (Enjuague profundo)

Configure esta opción al agregar suavizante para tela a la lavadora.

C Luces de Estado

Las luces **Status** (Estado) muestran la etapa en la cual se encuentra la lavadora. Cuando la perilla selectora se configura en un ciclo nuevo, las luces **Status** (Estado) parpadearán momentáneamente, mostrando las etapas que el ciclo atravesará.

Luz de Estado	Ilumina
On (Encender)	Cuando la opción del suavizante de tela fue seleccionada.
Wash (Lavar)	Cuando la lavadora está en la parte del lavado durante el ciclo.
Rinse (Enjuagar)	Cuando la lavadora está en la parte del enjuague durante el ciclo.
Spin (Centrifugar)	Cuando la lavadora está drenando y/o girando.
Lid Locked (Tapa bloqueada)	Cuando la tapa de la lavadora está bloqueada. Esta función evita que la tapa se abra mientras la lavadora se encuentra en el ciclo de centrifugado o reduciendo la velocidad para detenerse.

NOTA: Si las luces **Status** (Estado) están titilando, el funcionamiento de la lavadora se encuentra pausado. Para reanudar el funcionamiento presione el botón **Start** (Iniciar) la tapa deberá estar cerrada).

D Temperature (Temperatura)

Seleccione la temperatura del agua para lo ciclo de lavado (todos los enjuagues utilizan agua fría). Siempre siga la etiqueta sobre los cuidados y las instrucciones del fabricante al realizar un lavado.

Tap Cold* utiliza agua del grifo, que puede proporcionar un ahorro de energía. Para todas las demás selecciones de temperatura, se utiliza una mezcla de agua caliente y fría para lograr la temperatura ideal para cada ajuste de temperatura.

Tenga en cuenta que algunos detergentes no se disuelven completamente en agua muy fría. Si usted experimenta esto, se recomienda que elija un ajuste que no sea **Tap Cold*.*

E Load Size (Tamaño de la Carga)

No cargue la lavadora en forma excesiva, evite que la ropa supere la fila superior de hoyos en la canasta de la lavadora.

Auto Load Sensing (Sensor de Carga Automática) - Esta selección brinda automáticamente la cantidad correcta de agua ajustada al tamaño y tipo de carga ubicada en la unidad.

F Start (Inicio)

Presione la tecla **Start** (Inicio) para dar comienzo al ciclo. Con la tapa cerrada y presionando **Start** (Inicio) nuevamente se colocará en pausa el ciclo y las luces **Status** (Estado) parpadearán. Para continuar el ciclo, cierre la tapa y presione **Start** (Inicio) nuevamente. El llenado de agua continuará con la tapa abierta, excepto cuando **Auto Load Sensing (Sensor de Carga Automática)** sea seleccionado como el tamaño de la carga. La tapa se deberá cerrar a fin de continuar el llenado cuando **Auto Load Sensing (Sensor de Carga Automática)** sea seleccionado.

Si la tapa se abre durante el ciclo, éste se colocará en Pausa y las luces **Status** (Estado) parpadearán. Para reiniciar el ciclo, cierre la tapa y presione **Start** (Inicio).

Si la máquina queda pausada por más de 24 horas, el ciclo será cancelado. A fin de detener el ciclo, coloque Cycle Selector (Selector de Ciclo) en la posición **Off** (Apagado).

Acerca de las funciones de la Lavadora



El Dispensador de Suavizante para Tela

El dispensador de suavizante para tela libera automáticamente suavizante para tela líquido en el momento adecuado durante el ciclo.

No detenga la lavadora durante el primer giro. Esto hará que el dispensador se vacíe demasiado rápido.

Para un uso correcto, siga estos pasos:

- 1 Asegúrese de que el dispensador esté adherido al agitador de forma segura.
- 2 Use sólo suavizante para tela líquido que esté diluido. Vierta en el dispensador usando la cantidad recomendada en el paquete.

Nunca vierta suavizante para tela directamente sobre la ropa. Esto puede producir manchas.

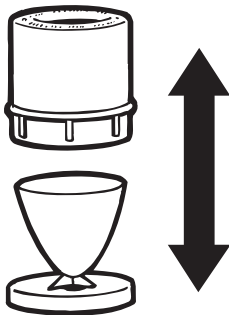
NOTA: No vierta blanqueador sobre el dispensador de FABRIC SOFTENER suavizante para tela.

- 3 Agregue agua a la unidad del dispensador hasta que llegue a la línea de llenado máximo.



No vierta nada en el agitador si se retiró el dispensador.

- 4 Seleccione el botón **FABRIC SOFTENER** (Suavizante para Tela) en el panel de control para una dispersión adecuada del suavizante para tela.



Separe para realizar la limpieza.

Limpieza del Dispensador de Suavizante para Tela

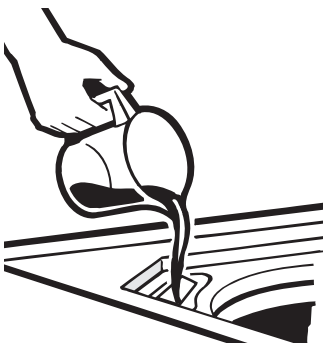
- 1 Retire el dispensador de la parte superior del agitador.
- 2 Separe la taza del dispensador de la tapa, tomando la parte superior y empujando hacia abajo en el interior de la taza con los dedos. La taza del dispensador se liberará de la tapa.
- 3 Para limpiar el dispensador, ponga en remojo la taza del dispensador y la tapa del dispensador en la siguiente solución:
 - 1 Galón estadounidense (3.8 litros) de agua tibia r
 - 1/4 de taza (60 ml.) de detergente líquido de alta resistencia
 - 1 taza (240 ml.) de blanqueador
- 4 De ser necesario, afloje la acumulación de suciedad con un trapo limpio y suave luego de poner en remojo. No use un cepillo rígido; esto podrá poner áspera la superficie del dispensador.
- 5 Enjuague y vuelva a ensamblar el dispensador. Vuelva a colocar el dispensador en el agitador.

Embudo del Blanqueador Líquido

El llenado de agua diluye el blanqueador de cloro a medida que la lavadora se llena para el ciclo de lavado.

- 1 Controle las etiquetas de cuidado de la ropa para conocer las instrucciones especiales.
- 2 Mida el blanqueador líquido con cuidado, siguiendo las instrucciones de la botella.
 - Nunca vierta blanqueador de cloro líquido sin diluir directamente en la ropa o en la canasta de lavado
 - • No vierta blanqueador en polvo en el embudo del blanqueador.
- 3 Antes de encender la lavadora, vierta una cantidad medida de blanqueador directamente en el embudo blanqueador. Evite salpicaduras o un llenado excesivo del dispensador. Si prefiere usar blanqueador en polvo, agregue el mismo en la canasta de la lavadora con el detergente.
 - No mezcle blanqueador con cloro junto con amoníaco o ácidos tales como vinagre y/o removedor de óxido. La mezcla puede producir un gas tóxico que podría ocasionar la muerte.

NOTA: No vierta blanqueador sobre el dispensador de FABRIC SOFTENER suavizante para tela.



Carga y uso de la lavadora .

Siempre siga las instrucciones del fabricante que figuran en la etiqueta sobre el cuidado de las telas al realizar lavados.

GEAppliances.com



Cómo Ordenar las Cargas para los Lavados

Ordene por color (blancos, claros, por color), nivel de suciedad, tipo de tela (algodones fuertes, de cuidado fácil, ropa delicada) y si la tela produce pelusa (tejido de rizo, felpilla) o acumula pelusa (pana, terciopelo).



ADVERTENCIA



- Riesgo de incendio

Nunca coloque prendas en la lavadora que estén humedecidas con gasolina u otros fluidos inflamables.

Ninguna lavadora puede eliminar el aceite por completo.

No seque nada que alguna vez haya tenido algún tipo de aceite (incluyendo aceites de cocina).

Si no se cumple con esto, se podrá producir la muerte, una explosión o un incendio.



Cómo Cargar la Lavadora

Cargue ropa seca libremente, de modo que no supere la fila superior de los hoyos de la canasta de la lavadora. Al cargar prendas mojadas, asegúrese de configurar el nivel de la carga/ agua lo suficientemente alto para permitir que las prendas se muevan libremente. El nivel del agua sólo debería cubrir la ropa. Para agregar prendas una vez iniciado el lavado, levante la tapa y sumerja las mismas junto al agitador.

- No envuelva las prendas largas tales como sábanas o pantalones alrededor del agitador.
- No lave telas que contengan materiales inflamables (ceras, líquidos de limpieza, etc.).
- La agitación no comenzará cuando la tapa se encuentre levantada.



Uso Adecuado de Detergente

Agregue detergente y active la lavadora antes de agregar la ropa, de modo que el detergente pueda trabajar de forma efectiva. El uso de muy poco o demasiado detergente es una causa común de problemas de lavado.

Puede usar menos detergente si se trata de agua blanda, una carga de menor cantidad o una carga con poca suciedad.

Cuidado y limpieza de la lavadora



Canasta de Lavado: Deje la tapa abierta luego del lavado a fin de permitir que la humedad se evapore. Si desea lavar la canasta, use una tela suave que esté limpia y húmeda con detergente líquido; luego enjuague. (No use limpiadores ásperos ni arenosos).

Mangueras de Llenado: GE recomienda el cambio de las mangueras cada 5 años.

Exterior: Inmediatamente limpie cualquier derrame. Limpie con una tela húmeda. Intente no golpear la superficie con objetos cortantes.

Movimiento y Almacenamiento: Solicite al técnico del servicio que elimine el agua de la bomba de drenaje y de las mangueras. Consulte las Instrucciones de Instalación que se encuentran con el paquete del producto para obtener información sobre cómo volver a instalar la varilla de embarque para mantener el cesto metálico estacionario cuando se cambie de lugar la lavadora. Para más información, visite GEAppliances.com o llame al **800. GE.CARES** (800.432.2737). No coloque la lavadora en lugares donde pueda estar expuesta a variables climáticas.

Vacaciones prolongadas: Asegúrese de cerrar el suministro de agua en todos los grifos. Drene toda el agua de las mangueras si la temperatura es bajo cero.

Acerca del panel de control de la Secadora

⚠ ¡ADVERTENCIA!

Para reducir el riesgo de incendios, descargas eléctricas o heridas, lea las INSTRUCCIONES IMPORTANTES DE SEGURIDAD antes de utilizar este electrodoméstico.

⚠ ADVERTENCIA



Riesgo de Explosión

Mantenga cualquier material y vapores inflamables, tales como gasolina, alejados de la secadora.

NO seque nada que alguna vez haya tenido algo inflamable en éste (incluso luego de lavar).

Si no se cumple con esto, se podrá producir muerte, explosión o incendio.

⚠ ADVERTENCIA



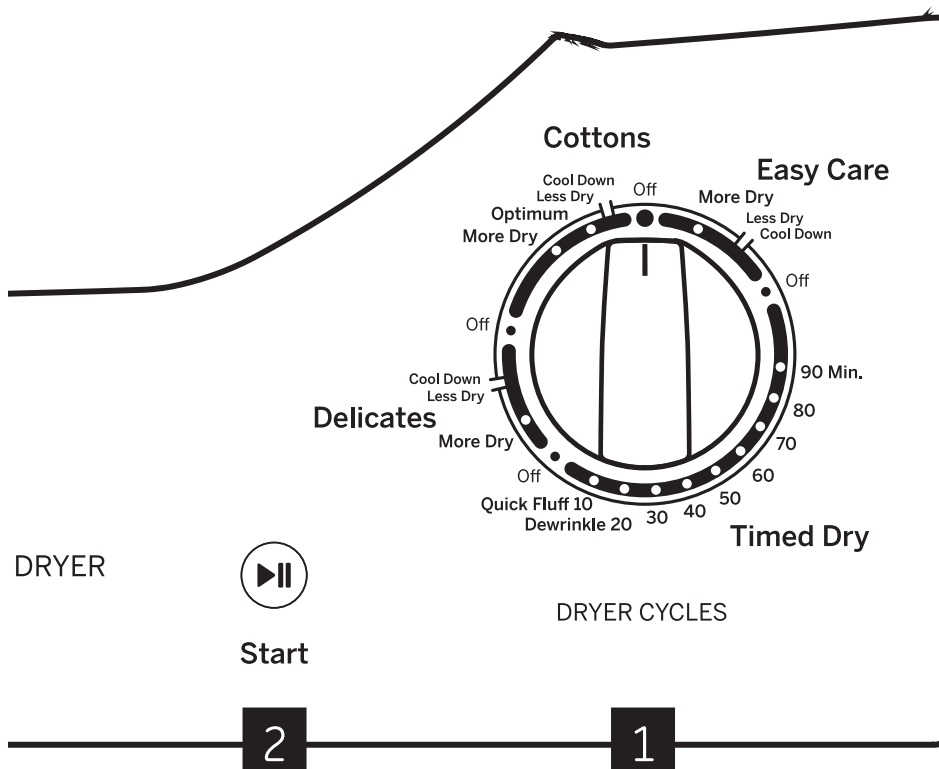
Riesgo de Incendio

Ninguna lavadora puede eliminar el aceite por completo. No seque nada que alguna vez haya tenido algún tipo de aceite (incluyendo aceites de cocina).

Las prendas con gomaespuma, goma, o plástico deberán ser secadas en un tendedero o utilizando un ciclo de Air Dry (Secado con Aire).

Si no se siguen estas instrucciones se podrá producir la muerte o un incendio.

A lo largo de este manual, las características y apariencia pueden ser diferentes a las de su modelo.



Nota: Este electrodoméstico está diseñado para que la lavadora y la secadora se puedan usar al mismo tiempo, si así se desea.

IMPORTANTE: LIMPIE EL FILTRO DE PELUSAS CADA VEZ QUE USE LA SECADORA.

1

Cuidado de las Telas/ Temperatura

Cottons	Para algodones de regular a pesados.
Delicates	Para prendas delicadas, sintéticas y con etiqueta para secado bajo en la secadora.
EASY Care	Para ropas sintéticas, combinadas, delicadas y prendas con etiqueta de planchado permanente.
Quick Fluff	Para prendas con pelusa sin calor. Use el ciclo Timed Dry (Secado Por Tiempo).

Ciclos de Secado

Cottons	Para algodones y la mayoría de las prendas blancas. Para la mayoría de las cargas, seleccione Optimum Dry (Secado Óptimo).
Delicates	Para prendas delicadas, telas y tejidos que requieren cuidado especial.
Easy Care	Para prendas sin arrugas, planchado permanente, prendas delicadas y tejidos.
Timed Dry	Configure Cycle Selector (Selector de Ciclo) durante el tiempo de secado que desee.
Desarrugar	Para eliminar arrugas de prendas que están limpias y secas y que están apenas húmedas.
Quick Fluff	Para refrescar y quitar pelusas de prendas, telas, prendas blancas y almohadas ya secas. Use con Fluff No Heat (Esponjar Sin Calor). Brinda 10 minutos de centrifugado sin calor.

Los ciclos automáticos determinan inmediatamente el nivel de secado de las telas y proporcionar un secado con sensor automático. El temporizador no rota durante el ciclo hasta que el sensor del termostato indica que la ropa está seca, entonces el temporizador rota automáticamente a la posición **Off** (Apagado).

Seleccione **Less Dry** (Menos Seco) si desea que la ropa esté ligeramente húmeda al final del ciclo de secado.

Seleccione **More Dry** (Más Seco) si desea que estén más secas. Los ciclos por tiempo funcionan durante una cantidad de tiempo determinada.

Ciclo por Tiempo

Timed Dry	Para secado manual. El temporizador rota durante todo el ciclo.
------------------	---

2

Start (Inicio)- Cierre la puerta de la secadora. Presione **Start** (Iniciar). Abrir la puerta durante el funcionamiento detendrá la secadora. Para reiniciar la secadora, cierre la puerta y seleccione **Start** (Iniciar) para completar el ciclo.

Cuidado y Limpieza de la Secadora.



El Exterior: Limpie y sacuda cualquier derrame o compuesto del lavado con una tela húmeda. El panel de control de la secadora y los acabados podrán ser dañados por algunos productos de tratamiento para quitar suciedad y manchas. Aplique estos productos lejos de la secadora. Luego la tela podrá ser lavada y secada normalmente. Cualquier daño en su secadora ocasionado por estos productos no estará cubierto por su garantía.

El Filtro de Pelusas: Limpie el filtro de pelusas antes de cada uso. Deslice la rejilla que cubre el filtro hacia afuera. Pase los dedos por el filtro. Es posible que se forme una acumulación de cera en el filtro de pelusas debido al uso de suavizantes de tela agregados a la secadora. Para eliminar dicha acumulación, lave la rejilla para atrapar pelusas con agua tibia y jabón. Seque totalmente y realice el reemplazo. No utilice la secadora sin el filtro de pelusas y la rejilla en su lugar. Solicite a un técnico calificado que aspire la pelusa de la secadora una vez al año.

Modelo: **GUD24**

Interior y conducto de la secadora: Un técnico calificado debe limpiar la parte interna del aparato y del conducto de salida una vez por año.

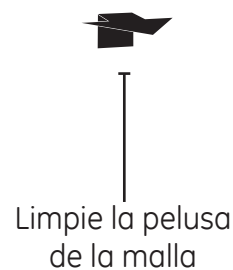
El Conducto de Escape: Inspeccione y limpie el conducto de escape por lo menos una vez al año a fin de evitar obstrucciones. Un escape parcialmente obstruido podrá extender el tiempo de secado.

Siga estos pasos:

1. Apague el suministro eléctrico desconectando el cable del tomacorriente.
2. Desconecte el escape de la secadora.
3. Vacíe el escape con el anexo de la manguera y vuelva a conectar el escape.

La Campana de Escape: Controle con un espejo que las solapas interiores de la campana se muevan libremente al funcionar. Asegúrese de que no haya nidos (de aves, insectos, etc.) dentro del conducto o la campana.

Modelo: **GUD27, GUD37**





Ventilación de la Secadora

Para un mejor funcionamiento del secado, es necesario que la secadora sea ventilada de forma apropiada. La secadora usará más energía y funcionará durante más tiempo si no está ventilada de acuerdo con las especificaciones siguientes. Siga cuidadosamente los detalles sobre el Escape en las Instrucciones de Instalación.

ADVERTENCIA - Riesgo de incendio

Esta secadora **DEBE** tener una ventilación al exterior.

Use sólo un conducto de metal rígido de 4" para la ventilación de salida doméstico.

Use sólo un conducto de transición de la secadora de metal rígido de 4" o de la lista de UL para conectar la secadora a la salida del hogar.

NO use una ventilación del plástico.

NO use una ventilación del papel de aluminio.

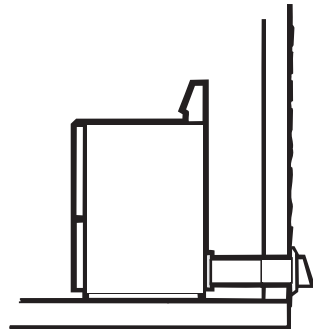
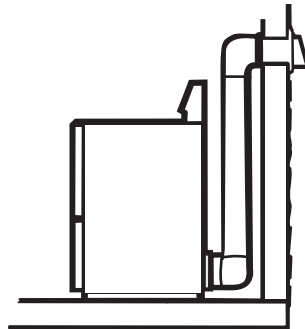
NO use la salida de una chimenea, la salida de la cocina, ventilación de gas, pared, cielo raso, ático, espacio de rastreo, o espacio escondido de una edificación.

NO instale una pantalla en o sobre el conducto de salida.

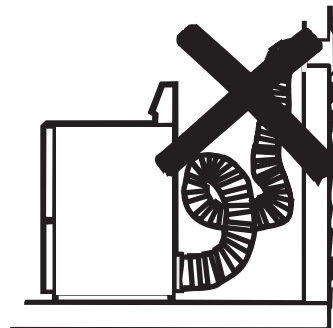
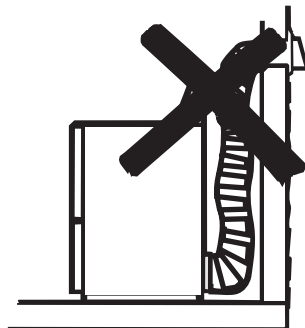
NO use un conducto más largo que aquél especificado en la tabla de longitud de salida.

Si no se siguen estas instrucciones se podrá producir la muerte o un incendio.

Ventilación correcta



Ventilación incorrecta



Antes de Solicitar el Servicio Técnico...



Los Consejos para la Solución de Problemas le Permiten Ahorrar tiempo y dinero!
Revise los cuadros en las siguientes páginas, o visite GEAppliances.com.

Agua	Causas Posibles	Qué hacer
<i>Demasiada espuma</i>	Demasiado detergente	Mida la cantidad de detergente con cuidado. Use menos jabón si se trata de agua blanda, una carga de menor cantidad o una carga con poca suciedad.
<i>Goteos de agua</i>	Uso de demasiado detergente	Use menos detergente. Use menos jabón si se trata de agua blanda, una carga de menor cantidad o una carga con poca suciedad.
	Las mangueras de llenado o la manguera de drenaje están conectadas de forma incorrecta	Asegúrese de que las conexiones de las mangueras estén ajustadas en los grifos y que las arandelas de caucho estén instaladas. Asegúrese de que el extremo de la manguera de drenaje esté correctamente insertado y asegurado en la instalación de drenaje.
	El drenaje del hogar podrá estar obstruido	Controle las cañerías del hogar. Es posible que necesite llamar a un plomero.
	Presión de agua constante para llenar las mangueras en la fuente de agua	Ajuste las mangueras en los grifos y cierre el agua luego de cada uso. Controle el estado de las mangueras de llenado; se deberán reemplazar cada 5 años.
<i>La temperatura del agua parece ser incorrecta</i>	Las temperaturas de agua más frías brindan una mejor eficiencia de la energía	Los nuevos detergentes para lavado fueron formulados para trabajar con temperaturas de agua más bajas sin afectar el rendimiento del lavado.
	El suministro de agua está apagado o inadecuadamente conectado	Abra totalmente los grifos de agua caliente y fría y asegúrese de que las mangueras estén conectadas a los grifos correctos.
	Los filtros de malla de la válvula de agua están obstruidos	Cierre la llave de agua y quite la las mangueras de conexión de agua de la parte superior trasera de la lavadora. Use un cepillo o mondadientes para limpiar las válvulas de la máquina. Vuelva a conectar las mangueras y abra la entrada de agua nuevamente.
	El calefactor de agua del hogar no está correctamente configurado	Asegúrese de que el calefactor de agua de la casa provea el agua a una temperatura de entre 120°F-140°F (48°C- 60°C).
<i>Se completó el bombeo de agua antes del ciclo</i>	Se levantó la tapa o el ciclo fue pausado por más de 24 horas	Reiniciar el ciclo.
<i>El agua no drena</i>	La manguera de drenaje está enredada o conectada de forma incorrecta	Enderece la manguera de drenaje y asegúrese de que la lavadora no esté sobre la misma. La parte superior de la salida de drenaje deberá estar a menos de 8 pies (2.5 m.) sobre el suelo.
<i>Pausas de la lavadora durante el ciclo de centrifugado</i>	Esto es normal	La lavadora se podrá pausar durante el ciclo de centrifugado a fin de eliminar agua con jabón de forma más eficiente.
<i>Pueden oír pero no ver el agua al final del ciclo</i>	Esto es normal	La bomba deja un poco de agua en su entrada y la misma se diluye con agua limpia y jabón.

<i>Funcionamiento de la Lavadora</i>	<i>Causas Posibles</i>	<i>Qué hacer</i>
<i>La lavadora no funciona</i>	La lavadora está desenchufada	Asegúrese de que el cable esté enchufado de forma segura en un tomacorriente que funcione.
	Suministro de agua está cerrado	Abra totalmente los grifos de agua fría y caliente.
	Los controles no están configurados correctamente	Inspeccione los controles.
	La tapa está abierta – la función de seguridad previene la agitación y el giro cuando la tapa está abierta	Cierre la tapa y reinicie el ciclo, desde el comienzo si es necesario.
	El disyuntor/ fusible está desactivado/ quemado	Controle los disyuntores/ fusibles del hogar. Reemplace los fusibles o reinicie el disyuntor. La lavadora debería contar con un tomacorriente individual.
	Se deberá reiniciar la parte electrónica	Desenchufe la lavadora, espere 2 minutos, vuelva a enchufarla y presione Start (Iniciar) .
	Start (Iniciar) no fue presionado	Presione Start (Iniciar) .
	Falta el imán de la tapa	Llame al servicio técnico.
<i>Movimiento dentro de la máquina cuando se apaga</i>	El mecanismo de cambio se está desconectando del motor	Cuando la máquina se apague en forma manual, el cambiador desconectará el motor antes de que se apague completamente. Si se levanta la tapa antes de que el motor esté desconectado, el funcionamiento se reiniciará cuando se cierre la tapa.
<i>Rendimiento lavadora</i>	<i>Causas Posibles</i>	<i>Qué hacer</i>
<i>Ropa demasiado mojada</i>	Ciclo de centrifugado seleccionado incorrecto	Asegúrese de que el ciclo de centrifugado seleccionado concuerde con la cantidad que está lavando. Algunas telas se sentirán más mojadas cuando se enjuaguen con agua fría.
<i>Manchas de colores</i>	Uso incorrecto de suavizante de tela	Consulte las instrucciones del paquete de suavizante de tela y siga las instrucciones sobre el uso del dispensador. Trate las manchas previamente y vuelva a lavar.
	Transferencia de colores	Separe las prendas blancas o claras de aquellas de colores oscuros.
	Cantidad de detergente insuficiente	Use más detergente (especialmente con cargas más grandes). Asegúrese de seguir las instrucciones del fabricante sobre el uso del detergente.
	Agua pesada	Use un acondicionador de agua tal como el de la marca Calgon o instale un ablandador de agua.
<i>Prendas grises o amarillentas</i>	El agua no está lo suficientemente caliente	Asegúrese de que el calefactor de agua provea el agua a una temperatura de 120°F a 140°F (48°C a 60°C).
	La lavadora está sobrecargada	Seleccione el tamaño de la carga de modo que coincida con la carga de la ropa.
	El detergente no se está disolviendo	Agregue detergente a medida que la canasta de lavado se llena de agua antes de cargar la ropa.
<i>Pelusa o residuo en la ropa</i>	Transferencia de colores	Ordene la ropa por color. Si la etiqueta de la tela indica que se debe lavar aparte, es posible que se indiquen los colores inestables.
	Las prendas se secan al aire o en el tendedero	Si no seca la ropa con un secador de ropa, es posible que las prendas retengan más pelusa.
	Orden incorrecto	Separe los productores de pelusa de los recolectores de pelusa.
	Lavado demasiado prolongado	Lave cantidades pequeñas por un tiempo más corto que las cargas más grandes.
	El detergente no se disuelve	Agregue detergente a medida que la canasta de lavado se llena de agua, antes de cargar la ropa.
		Intente usar un detergente líquido. Use una temperatura de agua más caliente.
	Sobrecarga	Cargue ropa de forma no excesiva de modo que no supere la fila superior de hoyos de la canasta de la lavadora.
Uso incorrecto del suavizante de tela	Controle las instrucciones del paquete del suavizante de telas y siga las instrucciones para usar el dispensador.	

Antes de Solicitar el Servicio Técnico...

<i>Rendimiento de la lavadora</i>	<i>Causas Posibles</i>	<i>Qué hacer</i>
<i>Formación de bolitas</i>	Resultado del desgaste normal de mezclas de algodón y poliéster y telas con pelusa	Aunque esto no es causado por la lavadora, usted puede reducir el proceso de formación de bolitas lavando las prendas dadas vuelta de afuera hacia adentro.
	Alfileres, broches, ganchos, botones cortantes, hebillas de cinturón, cierres y objetos cortantes dejados en los bolsillos	Ajuste los broches, ganchos, botones y cierres. Retire objetos sueltos tales como alfileres, objetos en los bolsillos y botones cortantes. Dé vuelta las prendas tejidas (que se enganchan fácilmente).
<i>Enganches, agujeros, desgarros, rasgones o desgaste excesivo</i>	Blanqueador con cloro no diluido	Controle las instrucciones del paquete de blanqueador a fin de usar la cantidad adecuada. Nunca agregue un blanqueador sin diluir para lavar ni permita que las prendas tengan contacto con blanqueador sin diluir.
	Químicos tales como blanqueador para cabello o tinte, solución para permanente	Enjuague las prendas que puedan contener químicos antes de lavarlas.
<i>Arrugas</i>	Orden incorrecto	Evite mezclar las prendas pesadas (como la ropa de trabajo) con prendas livianas (como blusas). Intente usar un suavizante de tela.
	Sobrecarga o nivel incorrecto de agua	Cargue la lavadora de modo que la ropa tenga suficiente espacio para moverse libremente y que el agua cubra todas las prendas.
	Ciclos de lavado y secado incorrectos	Haga coincidir la selección del ciclo con el tipo de tela que está lavando (especialmente para cargas fáciles de limpiar).
	Lavado repetido en agua demasiado caliente	Lavado repetido en agua demasiado caliente
<i>Sonidos de la lavadora</i>	<i>Causas Posibles</i>	<i>Qué hacer</i>
<i>"Sonido de clic metálico"</i>	El mecanismo de conmutación está enganchado o suelto	El sistema de transmisión se engancha al iniciar la agitación y se suelta cuando esta última se completa. Esto sucede muchas veces durante el lavado.
<i>"Zumbido" de ida y vuelta o sonido de "clic" suave durante la agitación</i>	El motor eléctrico revierte la dirección	Esta máquina cuenta con un sistema de transmisión que no usa engranajes. Éste es el sonido del motor cuando rota hacia atrás y adelante para agitar el lavado.
<i>Sonidos rápidos de agitación corta al final de la agitación</i>	Redistribución de la ropa	Al final de la agitación, el motor produce golpes de agitación corta para redistribuir la carga.
<i>Sonido de "clic" cuando el agua finaliza el llenado</i>	Interruptor de relevador	El relevador produce un sonido de clic cuando se activa. El nivel del agua activa el relevador y deja de llenarse.
<i>Sonido de "clic" detrás del Panel de Control durante el llenado</i>	Válvula Automática de Control de Temperatura	Esta válvula mezcla el agua fría y la caliente. El sonido de "clic" es la válvula que se enciende y se apaga.
<i>El volumen del agua cambia durante el llenado</i>	Válvula Automática de Control de Temperatura	Esta válvula mezcla el agua fría y la caliente. El sonido cambia cuando las válvulas se abren y se cierran.
<i>El motor hace un "chirrido" o "desaceleración en punto muerto" en el giro</i>	El motor cambia la velocidad durante el ciclo de centrifugado	El motor se acelerará en forma progresiva durante el ciclo de centrifugado. Una vez completado el centrifugado, continuará en movimiento hasta que se detenga.
<i>"Zumbido"</i>	Bomba de desagüe	La bomba de desagüe hará un zumbido cuando elimine el agua tras la agitación y continuará hasta que se complete el centrifugado.
<i>"Gorgoteo"</i>	Bomba de desagüe	Cuando la bomba comienza a aspirar aire, hace un gorgoteo. La lavadora deberá comenzar entonces el centrifugado y el sonido continuará hasta que éste se complete.

<i>Problema con la Secadora</i>	<i>Causas Posibles</i>	<i>Qué hacer</i>
<i>La secadora no se inicia</i>	La secadora está desenchufada	Asegúrese de que el cable de la secadora esté bien enchufado en el tomacorriente.
	Se quemó el fusible/ el disyuntor está desactivado	Controle la caja de fusibles/ disyuntor de su hogar y reemplace el fusible o reinicie el disyuntor. Nota: La mayoría de las secadoras eléctricas usan 2 fusibles/ disyuntores.
<i>La secadora no calienta</i>	El fusible se quemó/ el disyuntor está desactivado; es posible que la secadora seque pero que no caliente	Controle la caja de fusibles/ disyuntor de su hogar y reemplace ambos fusibles o reinicie ambos disyuntores. La secadora podrá secar sólo si un fusible está quemado o sólo un disyuntor está desconectado.
	El servicio de gas está apagado.	Asegúrese de que la llave de la secadora y la llave principal estén completamente abiertas.
<i>La secadora se sacude o hace ruido</i>	Cierto nivel de sacudones/ ruido es normal. Es posible que la secadora esté apoyada sobre un piso desnivelado	Mueva la secadora a un espacio nivelado, o ajuste las patas niveladoras tanto como sea necesario hasta que quede nivelada.
<i>Manchas de grasa en la ropa</i>	Uso incorrecto del suavizante de tela	Siga las instrucciones que figuran en el paquete del suavizante de tela.
	Secado de prendas sucias con prendas limpias	Use la secadora para secar sólo prendas limpias. Las prendas sucias podrán ensuciar las prendas limpias y la secadora.
	La ropa no estaba completamente limpia	A veces algunas manchas que no se pueden ver cuando la ropa está mojada aparecen luego del secado. Use los procedimientos de lavado adecuados antes de secar.
<i>Pelusa en la ropa</i>	El filtro de pelusa está lleno	Limpie la rejilla para pelusas antes de cada carga.
	Orden incorrecto	Ordene los productores de pelusa (como la felpilla) de los recolectores de pelusa (como la pana).
	La electricidad estática puede atraer pelusas	Consulte las sugerencias en esta sección, en STATIC (Estática).
	Sobrecarga	Separe las cargas grandes y arme cargas más pequeñas.
	Papel, pañuelos, etc. que quedan en los bolsillos	Vacíe todos los bolsillos antes de lavar la ropa.
<i>Se produce estática</i>	No se usó ningún suavizante de tela	Intente usar un suavizante de tela.
		Los Acondicionadores de Secado de Tela Bounce® fueron aprobados para su uso en todas las Secadoras GE, cuando se usen de acuerdo con las instrucciones del fabricante.
	Secado excesivo	Intente usar un suavizante de tela. Ajuste la configuración a Less Dry (Menos Seco) .
Los materiales sintéticos, planchado permanente y mezclas pueden causar estática	Intente usar un suavizante de tela.	
<i>Tiempos de secado inconsistentes</i>	Tipo de calor	Los tiempos de secado automático varían de acuerdo con el tipo de calor usado (eléctrico, natural o gas LP), tamaño de la carga, tipo de telas, humedad de la ropa y condición de los conductos de escape.

Antes de Solicitar el Servicio Técnico...

Problema con la Secadora	Causas Posibles	Qué hacer
<i>La ropa tarda demasiado tiempo en secarse</i>	Orden incorrecto	Separe las prendas pesadas de las prendas livianas (generalmente, una carga bien ordenada en la lavadora es una carga bien ordenada en la secadora).
	Grandes cargas de telas pesadas (como las toallas de playa)	Las telas grandes y pesadas contienen más humedad y tardan más tiempo en secarse. Separe las telas grandes y pesadas en cargas más pequeñas a fin de acelerar el tiempo de secado.
	Configuración inadecuada de los controles	Haga coincidir la configuración de los controles con la carga que está secando.
	El filtro de pelusa está lleno	Limpie la rejilla para pelusas antes de cada carga.
	Conducto inadecuado u obstruido	Controle las instrucciones de instalación para un conducto/ventilación adecuada.
		Asegúrese de que el conducto esté limpio, desenroscado y sin obstrucciones.
		Controle que el regulador de la pared exterior funcione fácilmente.
		Controle las Instrucciones de Instalación para asegurar que la secadora cuente con la ventilación correcta
Fusibles quemados o disyuntores desactivados	Reemplace los fusibles o reinicie los disyuntores. Debido a que la mayoría de las secadoras usan 2 fusibles/disyuntores, asegúrese de que ambos estén funcionando.	
Sobrecarga/ combinación de cargas	No coloque más de una carga de lavado por vez en la secadora.	
Carga insuficiente	Si sólo secará una o dos prendas, agregue algunas más a fin de asegurar un secado adecuado.	
<i>La ropa está arrugada</i>	Secado excesivo	Seleccione un tiempo de secado más corto.
		Retire las prendas mientras aún tienen una pequeña cantidad de humedad. Seleccione la configuración a Less Dry (Menos Seco) .
	Dejar las prendas en la secadora una vez finalizado el ciclo	Retire las prendas cuando el ciclo finalice y doble o cuelgue las mismas de inmediato.
	Sobrecarga	Separe las cargas grandes y arme cargas más pequeñas.
<i>La ropa se encoge</i>	Algunas de las telas se encogen naturalmente cuando se lavan. Otras pueden ser lavadas con seguridad pero pueden encogerse en la secadora.	Para evitar que la ropa se encoja, siga las instrucciones de las etiquetas de cuidado de las prendas en forma precisa.
		Algunas prendas se podrán presionar para que regresen a su tamaño original luego del secado.
		Si le preocupa que una prenda específica se pueda encoger, no lave ni seque la misma con la máquina.

La Garantía de este Electrodoméstico (Para clientes de Estados Unidos)



Todo el servicio de garantía es provisto por nuestros Centros de Servicio de Fabricación, o un técnico autorizado de Servicio al Cliente (Customer Care®). Para programar una visita del servicio técnico a través de Internet, visítenos en **GEAppliances.com**, o llámenos al **800.GE.CARES** (800.432.2737). Cuando llame para solicitar el servicio, tenga los números de serie y modelo disponibles.

Engrape su recibo aquí. Para acceder al servicio técnico de acuerdo con la garantía deberá contar con la prueba de la fecha original de compra.

Por el Período de: **GE Reemplazará:**

Un Año

desde la fecha de compra original

Cualquier pieza de la lavadora que falle debido a un defecto en los materiales o la fabricación. Durante esta **garantía limitada de un año**, GE también proveerá, **sin costo**, todo el trabajo y el servicio relacionado con el reemplazo de la pieza que presente defectos.

Qué No Está Cubierto:

- Viajes del técnico del servicio a su hogar para enseñarle sobre cómo usar el producto.
- Instalación inadecuada, entrega o mantenimiento.
- Fallas del producto en caso de abuso, uso inadecuado, o uso para propósitos diferentes al original o uso comercial.
- Reemplazo de fusibles de la casa o reinicio de disyuntores.
- Productos que no presenten defectos ni estén rotos, o que estén funcionando de acuerdo con lo descrito en el Manual del Propietario.
- Daños ocasionados sobre el producto por accidente, incendio, inundaciones o catástrofes naturales.
- Daños consecuentes o incidentales causados por posibles defectos sobre este producto.
- Defectos o daños debido a funcionamiento en temperaturas bajo cero.
- Daño causado después de la entrega.
- Producto no accesible para brindar el servicio requerido.

EXCLUSIÓN DE GARANTÍAS IMPLÍCITAS—Su única y exclusiva alternativa es la reparación del producto, como se brinda en la Garantía Limitada. Las garantías implícitas, incluyendo garantías implícitas de comerciabilidad o conveniencia sobre un propósito particular, se limitan a un año o al período más corto permitido por la ley.

Esta garantía se extiende al comprador original y a cualquier dueño subsiguiente de productos comprados para uso hogareño dentro de EE.UU. Si el producto se encuentra en un área donde no se encuentra disponible el servicio técnico de un Proveedor de Servicio de GE Autorizado, usted será responsable por el costo del viaje o se podrá requerir que traiga el producto a una ubicación del Servicio Técnico de GE Autorizado. En Alaska, la garantía excluye el costo de envío o llamadas del servicio a su hogar.

Algunos estados no permiten la exclusión o limitación de daños fortuitos o consecuentes. Esta garantía le da derechos legales específicos y es posible que tenga otros derechos legales que varían entre un estado y otro. Para conocer cuáles son sus derechos legales, consulte a la oficina de asuntos del consumidor local o estatal o al Fiscal de su Estado.

Garante: General Electric Company, Louisville, KY 40225

Servicio al consumidor.



Página Web de GE Appliances

GEAppliances.com

¿Tiene alguna pregunta sobre su electrodoméstico? ¡Pruebe la página Web de GE Appliances 24 horas al día, cualquier día del año! Para mayor conveniencia y servicio más rápido, ya puede descargar los Manuales de los Propietarios, pedir piezas o incluso hacer una cita en línea para que vengan a realizar una reparación.



Solicite una reparación

GEAppliances.com

El servicio de expertos GE está a tan sólo un paso de su puerta. ¡Entre en línea y solicite su reparación cuando le venga bien cualquier día del año! O llame al 800.GE.CARES (800.432.2737) durante horas normales de oficina.



Real Life Design Studio (Estudio de diseño para la vida real)

GEAppliances.com

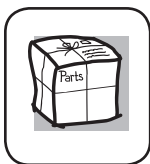
GE apoya el concepto de Diseño Universal—productos, servicios y ambientes que pueden usar gente de todas las edades, tamaños y capacidades. Reconocemos la necesidad de diseñar para una gran gama de habilidades y dificultades físicas y mentales. Para más detalles sobre las aplicaciones de GE Diseño Universal, incluyendo ideas de diseño para la cocina para personas con discapacidades, mire nuestra página Web hoy mismo. Para personas con dificultades auditivas, favor de llamar al 800.TDD.GEAC (800.833.4322).



Garantías ampliadas

GEAppliances.com

Compre una garantía ampliada y obtenga detalles sobre descuentos especiales disponibles mientras su garantía está aún activa. Puede comprarla en línea en cualquier momento, o llamar al (800.626.2224) durante horas normales de oficina. GE Consumer Home Services estará aún ahí cuando su garantía termine.



Piezas y accesorios

GEAppliances.com

Aquellos individuos con la calificación necesaria para reparar sus propios electrodomésticos pueden pedir que se les manden las piezas o accesorios directamente a sus hogares (aceptamos las tarjetas VISA, MasterCard y Discover). Haga su pedido en línea hoy, 24 horas cada día o llamar por teléfono al 800.626.2002 durante horas normales de oficina.

Las instrucciones descritas en este manual cubren los procedimientos a seguir por cualquier usuario. Cualquier otra reparación debería, por regla general, referirse a personal calificado autorizado. Debe ejercerse precaución ya que las reparaciones incorrectas pueden causar condiciones de funcionamiento inseguras.



Póngase en contacto con nosotros

GEAppliances.com

Si no está satisfecho con el servicio que recibe de GE, póngase en contacto con nosotros en nuestra página Web indicando todos los detalles así como su número de teléfono o escribanos a:

General Manager, Customer Relations
GE Appliances, Appliance Park
Louisville, KY 40225



Registre su electrodoméstico

GEAppliances.com

¡Registre su nuevo electrodoméstico en línea—cuando usted prefiera! El registrar su producto a tiempo le proporcionará, si surgiera la necesidad, una mejor comunicación y un servicio más rápido bajo los términos de su garantía. También puede enviar su tarjeta de registro pre-impresa que se incluye en el material de embalaje o recorte y use el formulario de este Manual del Propietario.