

JEM25DM

GE Spacemaker II™ 1.0 Cu. Ft. Countertop Microwave Oven

Dimensions and Installation Information (in inches)

Exterior Dimensions* (in inches)	
W x H x D	23-25/32 x 11-3/16 x 12-9/32

*Height includes feet. Depth does not include handle.

Built-In trim kit for 1.0 cu. ft. microwave ovens

For a custom built-in appearance, this kit allows built-in installation of the Spacemaker II microwave oven into a wall or cabinet alone, and is U. L. approved for installation over a GE single electric wall oven.

Accessory trim kits	"Z"	Max Height	Trim Kit
27" Deluxe	26-1/4"	16-3/4"	JX827DMWW/BB

Installation Information: This information is not intended to be used for installing unit described. Before installing, consult installation instructions packed with product for current dimensional data.

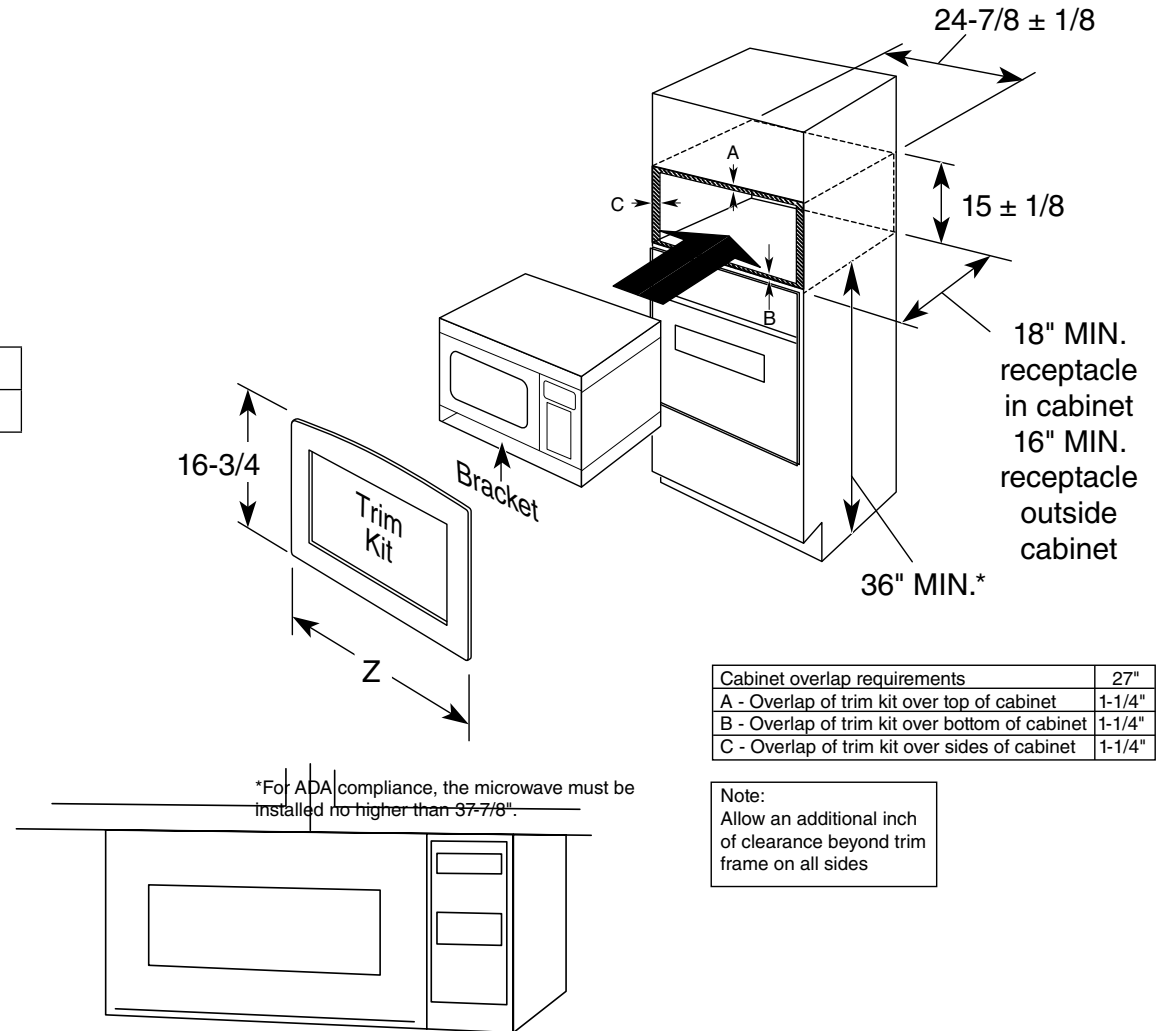
Note: Undercabinet Installation

Install Spacemaker II microwave ovens in just a few easy steps with the mounting template, which provides all the necessary measurements. Installation may vary depending on cabinets. These microwave ovens can be installed on practically any wood or metal cabinets.

Note:

120V, 60-cycle, grounded power receptacle location optional on back within cabinet opening.

For answers to your Monogram® Cafe™ Series or Profile™ Series appliance questions, visit our website at ge.com or call GE Answer Center® service, 800.626.2000.



Cabinet overlap requirements	27"
A - Overlap of trim kit over top of cabinet	1-1/4"
B - Overlap of trim kit over bottom of cabinet	1-1/4"
C - Overlap of trim kit over sides of cabinet	1-1/4"

Note:
Allow an additional inch of clearance beyond trim frame on all sides

*For ADA compliance, the microwave must be installed no higher than 37-7/8".

Not to be used over a thermal oven.
Undercabinet mounting kit Pub. No. 4-A019 for Spacemaker II microwave oven models available at additional cost.



JEM25DM

GE Spacemaker II™ 1.0 Cu. Ft. Countertop Microwave Oven

Features and Benefits

- 1.0 Cu. Ft. Capacity - 800 Watts (IEC-705 test procedure)
- Convenience Controls - Allow cooking and reheating at the touch of a button
- Optional Trim Kit - Offers a built-in appearance of a countertop model
- Optional Hanging Kit (Part No JXA019K) - Allows quick, easy undercabinet installation
- Auto and Time Defrost - Automatically defrosts for a specified amount of time
- Turntable On/Off - Ideal for oversized, oblong-shaped dishes
- Kitchen Timer - Operates as a minute timer and can be used at any time, even when the oven is operating
- Child Lock Out - Enables you to lock the keypad to prevent the oven from being accidentally started
- Add 30 Seconds - Increases cooking times with one touch
- Electronic Touch Controls - Offer easy point-and-cook convenience
- Model JEM25DMWW – White on white
- Model JEM25DMBB – Black on black

