



over-the-range microwave ovens

New product introductions January 2007
GE® over-the-range microwave ovens
Retail Sales





JVM1850SMSS shown

Over-the-range microwave oven quick pitch

Reinventing the original



Advanced performance

Rely on the GE CircuWave™ 1100 system to assure delicious, consistent cooking results time after time.



Distinguished appearance

Clean and contemporary, the new design has softer edges and curved surfaces to complement any kitchen.



Remarkable versatility

Heat one, two or even three casserole dishes at the same time. The two included racks snap into place to create three levels of cooking.



Amazingly easy to use

The two-line bilingual scrolling display provides large, easy-to-read cooking tips in both English and Spanish. Simple one-touch controls allow quicker, easier cooking and reheating of a variety of foods.

What's new: GE® over-the-range microwave ovens

Reinventing the original—with more stainless than ever



Distinctive style

- To complement its role in today's busy lifestyle, GE has given the microwave an exciting new look for your kitchen.
- The new GE look is more sophisticated, with added curves and clean lines that work beautifully to complement any kitchen design.



Architectural elements

- The microwave handle has been redesigned to complement the sleeker lines of today's appliances.
- The elegantly arched hearth window coordinates beautifully with GE ranges, as well as other brands.



More stainless

- The enhanced stainless steel design offers an incredibly distinctive appearance.
- The new full-width hidden vent enhances the curves and style of the overall design.

Not all features available on all models.



1.8 cu. ft. capacity models

JVM1850/JNM1851*

- 1100 watts
- New curved design with hearth window
- New designer handle
- New full-width hidden vent
- CircuWave™ 1100 cooking system
- Sensor cooking controls
- Two-line bilingual scrolling display
- Available in stainless steel, white, bisque or black



1.7 cu. ft. capacity models

JVM1750/JVM1740

- 1000 watts
- New curved design with hearth window
- New designer handle
- New vent appearance
- Sensor cooking controls (1750 only)
- Available in stainless steel, white, bisque or black



1.5 cu. ft. capacity models

JVM1540/JNM1541*

- 950 watts
- New curved design with hearth window
- New designer handle
- New vent appearance
- Convenience cooking controls
- Available in stainless steel, CleanSteel™ (JVM1540 only), white, bisque or black

*Recirculating model

Feature gallery: GE® over-the-range microwave ovens



JVM1850SMSS shown





1 **New appearance**
Has a clean and contemporary design, with softer edges, sweeping surfaces and a vent that's hidden from view.



2 **One-touch sensor cooking controls**
Automatically adjust cook time and power levels for delicious cooking results.



3 **2-line bilingual scrolling display**
Provides helpful cooking tips and oven-use instructions in easy-to-read English or Spanish.



4 **Four-speed, 300-CFM venting***
Quickly clears the air, removing smoke and steam from cooktop. Offers four speeds (including a boost option) for different levels of ventilation.



5 **Hidden vent**
Offers an integrated, streamlined appearance, accentuating the curves and design.



6 **Full-view cooktop lighting**
Enables better distribution of light over the entire cooking surface.



7 **Custom pad**
Offers the option of programming convenient settings for favorite foods.



Auto night light
Uses a programmable timer to provide a convenient source of ambient light.



Large capacity
Two removable oven racks and up to 1.8 cu. ft. capacity provide one of the largest usable capacities.



Demo mode
Provides easy guidance through all available cooking options.

*Includes boost

Not all features available on all models.

Inside story: GE® over-the-range microwave ovens



JVM1850DMWW shown





1 Capacity and wattage
Up to 1.8 cu. ft. capacity and 1100 microwave watts.



2 Multi-level cooking
Two removable, full-width oven racks permit 3 full levels of cooking.



3 14-1/4" recessed turntable with on/off
Makes the most of the cooking capacity, while adding on/off flexibility for using oval and rectangular dishes.



4 CircuWave™ 1100 system
Assures consistent results, with a rotating stirrer and turntable that evenly distribute the 1100 watts throughout the oven cavity.



Sensor microwave oven
Uses built-in sensors to automatically set power and time based on food moisture levels.



Halogen interior lighting
Helps you easily monitor food as it cooks.

A whole new Spacemaker® microwave oven

Since the introduction of the Spacemaker oven in 1979, GE has led the way in microwave innovation. Then, the Spacemaker offered a convenient, kitchen-friendly option for making snacks and reheating leftovers. Today's Spacemaker allows even cooking and defrosting of all types of foods, marking a dramatic departure from the original.

Dare to compare: Appearance



Curved design

GE's clean lines and curved appearance with hearth window gives GE a distinctive and sophisticated appearance. Unlike the box-shaped look of the competition, it's the perfect complement to the kitchen.



More stainless steel

GE® offers a sleek, full-width hidden vent and designer stainless-appearence handle that provides the high-end look consumers love.



JVM1540SMSS—GE® over-the-range microwave oven



Whirlpool
MH1160



Maytag
MMV1153

Competitive comparison

	GE JVM1540	Whirlpool MH1160	Maytag MMV1153
Hearth window	Yes	No	No
Curved appearance	Yes	No	No
Available in stainless steel	Yes	No	No



JVM1750SMSS—GE over-the-range microwave oven



Whirlpool
MH2175

Competitive comparison

	GE JVM1750	Whirlpool MH2175
Hearth window	Yes	No
Curved appearance	Yes	No
Stainless steel grill	Yes	No



JVM1850SMSS—GE over-the-range microwave oven



Whirlpool
MH3184



Frigidaire
PLMV169

Competitive comparison

	GE JVM1850	Whirlpool MH3184	Frigidaire PLMV169
Hearth window	Yes	No	No
Curved appearance	Yes	Yes	No
Hidden vent	Yes	No	No

Dare to compare: Versatility



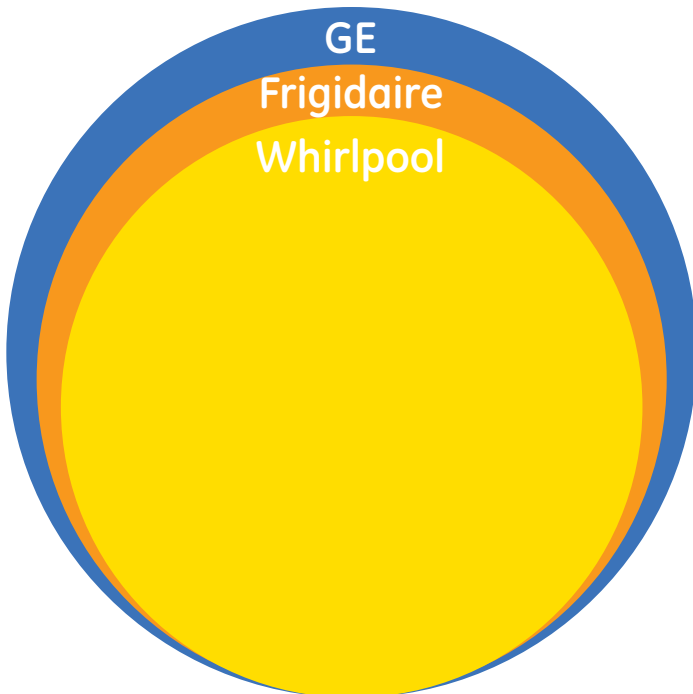
More usable capacity

GE® offers two oven racks which allow up to three levels of simultaneous cooking. With two rack positions, multi-level cook with dishes both big and small, short or tall.

Competitive comparison

	GE JVM1850	Whirlpool MH3184	Frigidaire PLMV169
Number of oven racks	2	1	1

Two racks, two positions, more flexibility.



Think bigger!

GE's 14-1/4" turntable allows complete rotation of large dishes. The turntable On/Off feature allows the capacity to be maximized.

Competitive comparison

	GE JVM1850	Whirlpool MH3184	Frigidaire PLMV169
Turntable diameter	14-1/4"	12"	13"



Superior lighting inside and out*

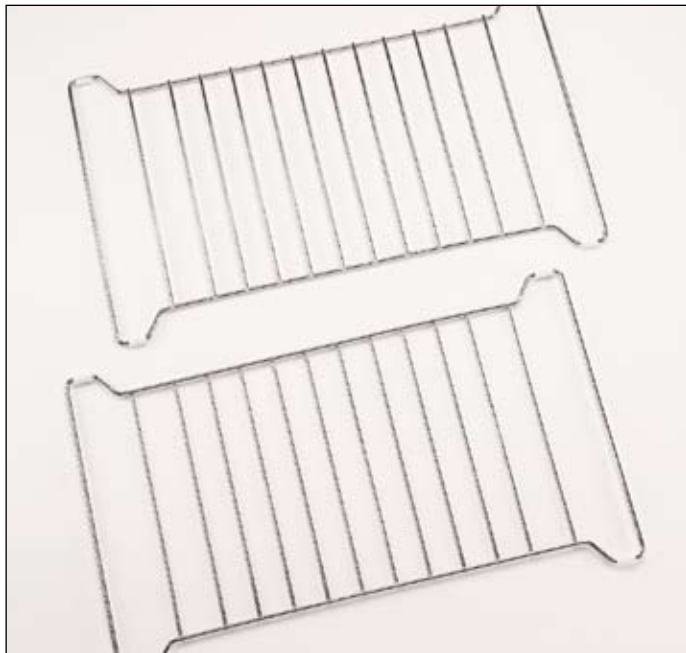
More wattage, bright light. GE's full-view cooktop lighting provides higher lamp wattage than the competition. And GE's halogen interior lighting provides white, crisp light to make it easy to see when your food is done.

Competitive comparison

	GE JVM1850	Whirlpool MH3184	Frigidaire PLMV169
Cooktop lighting	Two 40-watt bulbs	Two 30-watt bulbs	One 40-watt bulb
Interior lighting	Halogen	Incandescent	Incandescent

*Based on total cooktop lamp wattage and halogen vs. incandescent lamp type

See the difference!



Dishwasher-safe racks

Make clean up a snap with dishwasher-safe oven racks. Unlike the competition, GE's microwave oven racks can be safely and easily cleaned in a dishwasher.

Competitive comparison

	GE	Whirlpool	Frigidaire
Dishwasher-safe oven racks	Yes!	No	No

Show and tell



Tubular free-standing display

Designed to display an over-the-range microwave or Advantium® oven and a free-standing range.

The newly designed tubular display offers increased visibility of the product and the black display provides a more appealing, contemporary look.

(72-1/2"H x 32-1/4"W x 25"D)

Pub. No. 4-D296



Free-standing or slide-in/drop-in display

Designed to display an over-the-range microwave or Advantium® oven and a free-standing, slide-in or drop-in range

(82"H x 44"W x 26-3/4"D)

Pub. No. 3-D131



30" wall oven display

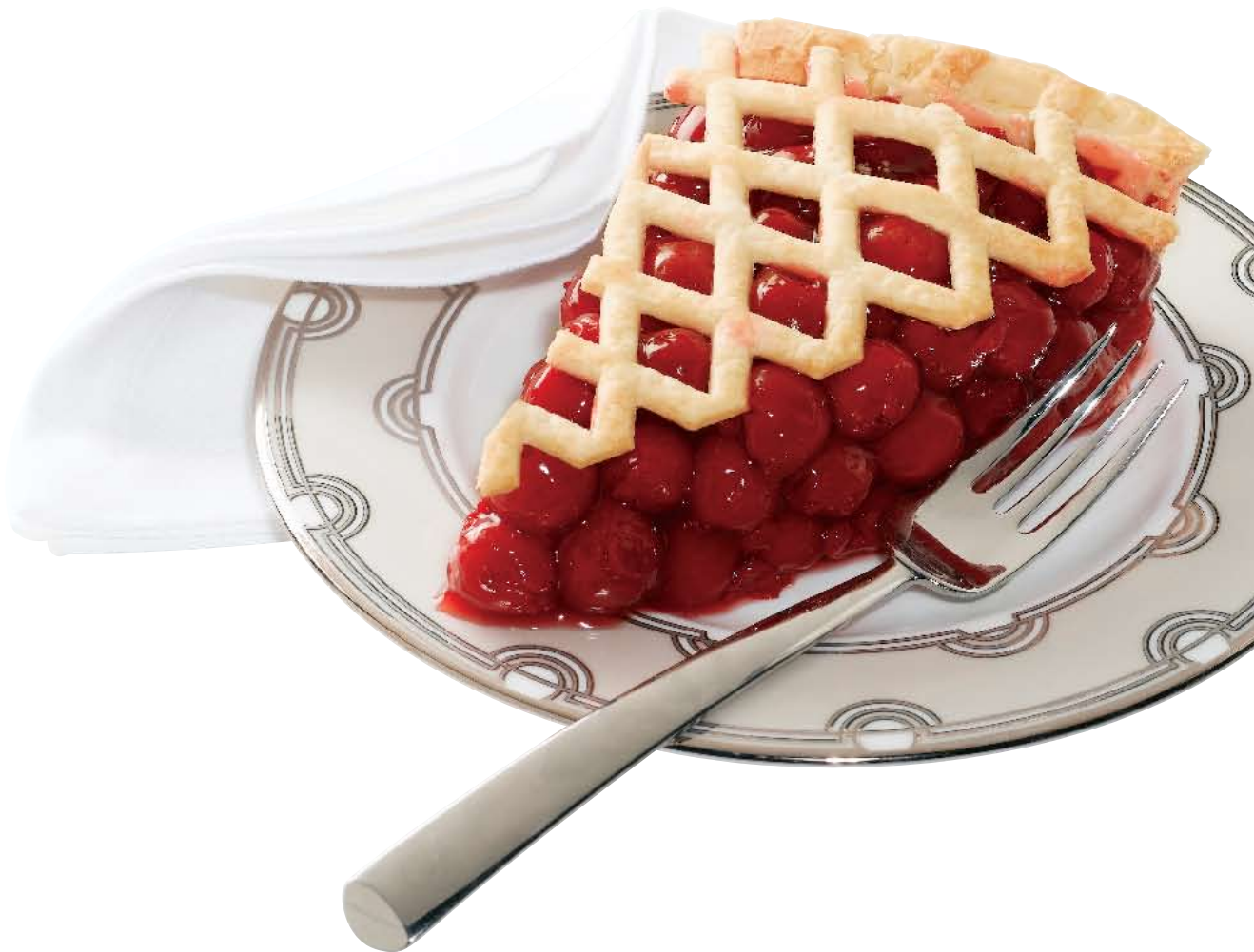
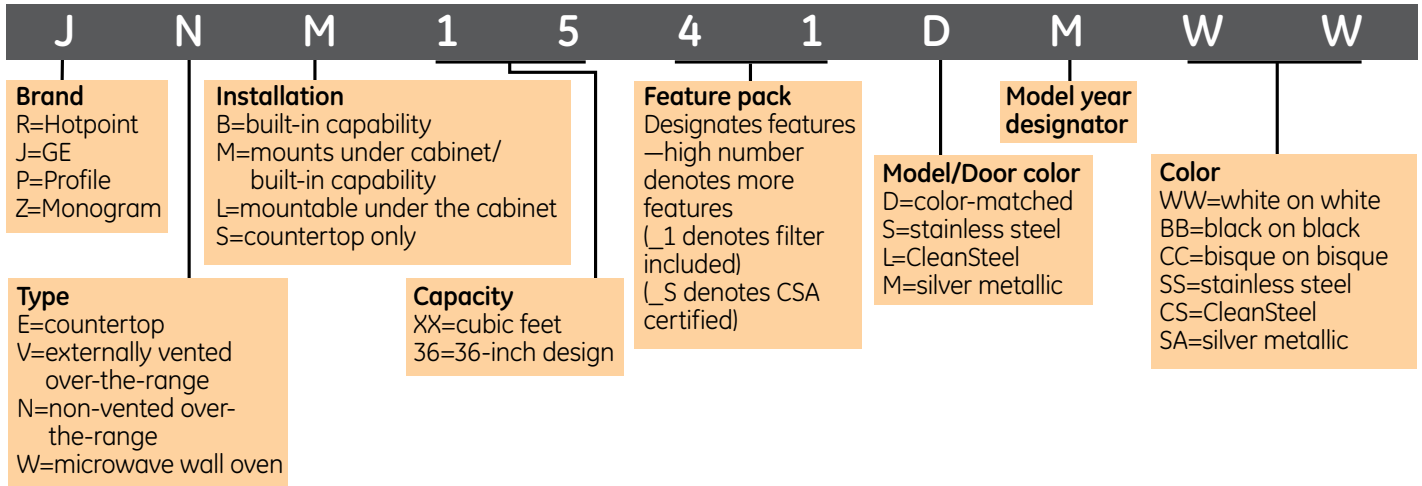
Designed to display an over-the-range microwave or Advantium® oven, a 30" single wall oven and a 30" cooktop.

(82"H x 44"W x 26-3/4"D)

Pub. No. 3-D081

New 2007 nomenclature

All microwave nomenclature has been updated for 2007



GE® over-the-range microwave ovens

Available new models



GE over-the-range microwave oven JVM1850/JNM1851*

- **1.8 cu. ft. capacity, 1100 watts**
- **CircuWave™ 1100 cooking system**
- Sensor cooking controls
- **1-lb. Quick Defrost**
- **14-1/4" recessed turntable with On/Off**
- **Full-width hidden vent**
- **Four-speed, 300-CFM venting system (includes boost)**
- **Two removable oven racks**
- Full-view cooktop lighting
- Available in stainless steel, white, bisque or black

GE over-the-range microwave oven JVM1750

- 1.7 cu. ft. capacity, 1000 watts
- **Sensor cooking controls**
- Auto and Time Defrost
- Turntable with On/Off
- Two-speed, 300-CFM venting system
- **Removable oven rack with two positions**
- Full-view cooktop lighting
- Available in stainless steel, white, bisque or black

**Recirculating model*

Not all features available on all models.



GE over-the-range microwave oven
JVM1740

- **1.7 cu. ft. capacity, 1000 watts**
- Convenience cooking controls (**6 pads**)
- Auto and Time Defrost
- Turntable with On/Off
- Two-speed, 300-CFM venting system
- Removable oven rack
- Full-view cooktop lighting
- Available in stainless steel, white, bisque or black



GE over-the-range microwave oven
JVM1540/JNM1541*

- 1.5 cu. ft. capacity, 950 watts
- Convenience cooking controls (4 pads)
- Auto and Time Defrost
- Turntable with On/Off
- Two-speed, 300-CFM venting system
- Removable oven rack
- Full-view cooktop lighting
- Available in stainless steel, CleanSteel™ (JVM1540 only), white, bisque or black

GE® over-the-range microwave ovens

	GE					
	JNM1851SM* JNM1851DM*	JVM1850SM JVM1850DM	JVM1750SM JVM1750DM	JVM1740SM JVM1740DM	JNM1541SM* JNM1541DM*	JVM1540SM JVM1540LM JVM1540DM
Capacity						
Oven cavity (cu. ft.)	1.8	1.8	1.7	1.7	1.5	1.5
Features						
Watts (IEC-705 test procedure)	1100	1100	1000	1000	950	950
Electronic touch controls	●	●	●	●	●	●
SmartControl system w/interactive display	●	●	●	●	●	●
Scrolling display	2-line	2-line	1-line	1-line	1-line	1-line
Clock and AM/PM pad	●	●	●	●	●	●
Variable scroll speed	●	●	●	●	●	●
Help pad	●	●	●	●	●	●
Bilingual display (English/Spanish)	●	●				
Sensor controls						
Beverage	●	●	●			
Popcorn	●	●	●			
Potatoes	●	●	●			
Reheat	●	●	●			
Vegetables	●	●	●			
Convenience controls						
Beverage				●	●	●
Potato				●	●	●
Popcorn				●	●	●
Reheat				●	●	●
Snacks						
Vegetables				●		
Cook				●		
Express Cook (1-6 min.)	●	●	●	●	●	●
Instant On controls	●	●	●	●	●	●
Time cook	I & II	I & II	I & II	I & II	I & II	I & II
Add 30 Seconds	●	●	●	●	●	●
Auto/Time Defrost	●/●	●/●	●/●	●/●	●/●	●/●
1 lb. Quick Defrost	●	●	●	●	●	●
Power levels	10	10	10	10	10	10
Delay Start/Reminder	●	●	●	●	●/●	●/●
Cooking system	CircuWave™ 1100	CircuWave 1100	CircuWave	CircuWave		
Turntable	Recessed	Recessed			●	●
Turntable On/Off	●	●	●	●	●	●
Interior lighting	●	●	●	●	●	●
Full-view cooktop lighting	●	●	●	●	●	●
Night light	●	●	●	●	●	●
Programmable night light	●	●	●	●		
Timer On/Off	●	●	●	●	●	●
Cooking complete reminder	●	●	●	●	●	●
Child lockout	●	●	●	●	●	●
300-CFM exhaust fan/Boost	4-speed/●	4-speed/●	2-speed/—	2-speed/—	2-speed/—	2-speed/—
Appearance						
Color appearance**	SS WW/CC/BB	SS WW/CC/BB	SS WW/CC/BB	SS WW/CC/BB	SS WW/CC/BB	SS CS WW/CC/BB
Case color	Black White/Bisque/Black	Black White/Bisque/Black	Black White/Bisque/Black	Black White/Bisque/Black	Black White/Bisque/Black	Black Black White/Bisque/Black
Weights & Dimensions						
Overall oven interior dimensions WxHxD (in inches)	21-29/32 x 9-1/2 x 14-19/32	21-29/32 x 9-1/2 x 14-19/32	20-1/4 x 9-1/4 x 14-13/32	20-31/32 x 9-3/8 x 14-3/16	18-13/16 x 9-1/4 x 14-13/32	18-13/16 x 9-1/4 x 14-13/32
Approx. shipping weight (lbs.)	68	68	67	67	67	67
Power/Ratings						
Input Volt/Hertz	120V/60Hz	120V/60Hz	120V/60Hz	120V/60Hz	120V/60Hz	120V/60Hz
Input Amps/Watts (max)	15A/1.58KW	15A/1.58KW	15A/1.58KW	15A/1.6KW	15A/1.58KW	15A/1.58KW
Accessories						
Cooking guide label	●	●	●	●	●	●
Oven rack(s)	2 (2-positions)	2 (2-positions)	1 (2-positions)	1	1	1
Recirculating charcoal filter kit (opt.)	JX81B	JX81B	JX81A	JX81A	JX81C	JX81C
Filler panel kit (opt.)	JX52BL/WH	JX52BL/WH	JX48BL/WH	JX48BL/WH	JX41/JX40	JX41/JX40
Warranty						
Limited one-year in-home warranty***	●	●	●	●	●	●

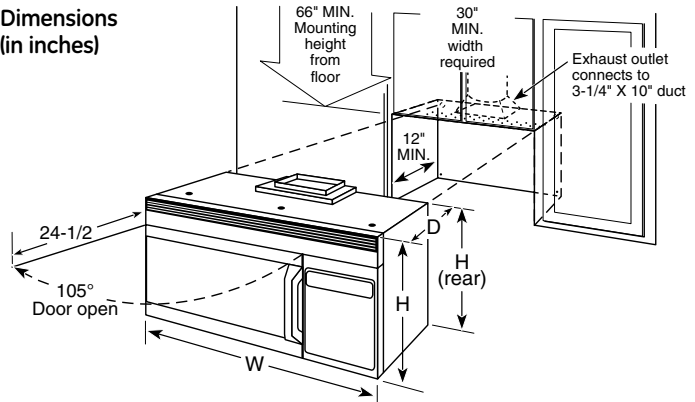
*Non-vented model.
 **SS = Stainless steel, CS = CleanSteel™, WW = White on white, CC = Bisque on bisque, BB = Black on black.
 ***See warranty for details.

Overall exterior dimensions (in inches)

Model	W	D	H	H (Rear)
JVM1850/JNM1851	29-7/8	15-1/4	16	16-13/32
JVM1750	29-7/8	15-1/4	16	16-13/32
JVM1740	29-7/8	15-5/32	15-5/8	16-3/16
JVM1540/JNM1541	29-7/8	15-1/4	16	16-13/32

This information is not intended to be used for installing unit described. Before installing, consult installation instructions packed with product/kit for current dimensional data.

Dimensions (in inches)



Ventilation options

The Spacemaker® convection/microwave and Spacemaker microwave ovens are designed for adaptation to the following three types of ventilation:

Outside exhaust (Vertical)

Outside exhaust (Horizontal)

Recirculating (Non-vented ductless—see Filter Kit Drawing, order JX81A, JX81B, JX81D, JX81H or JX81J)

Requires 120V grounded outlet. Electrical receptacle must be located in cabinet above Spacemaker microwave/ convection and Spacemaker microwave ovens. No additional wiring, venting or cabinet rebuilding necessary in many cases. Complete detailed, easy-to-follow installation instructions and convenient full-size templates are packed with product.

Important: When installing these ovens over a range, allow minimum of 2" from bottom of microwave oven to top of range backguard to allow for removal of light covers.

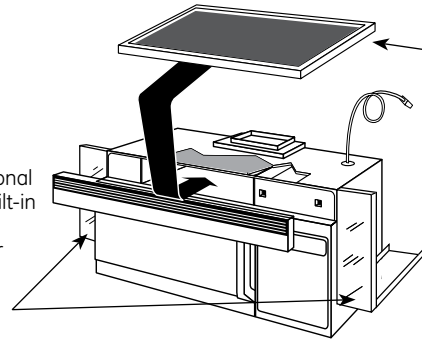
Optional accessories
(Available at additional cost)

Filler panel kit

See below for part numbers.

When replacing a 36" range hood, this kit fills in the additional width to provide a custom built-in appearance. For installation between cabinets only; not for end-of-cabinet installation.

Each kit contains two 3"-wide filler panels.



Recirculating Charcoal Filter kit

See below for part numbers.

To be used when the Spacemaker microwave oven cannot be vented to the outside. (Included with non-vented models.)

Model	Recirculating charcoal filter kit	Filler panel kit
JVM1540SMSS	JX81C	JX41
JVM1540LMBS	JX81C	JX41
JVM1540DMWW	JX81C	JX40
JVM1540DMCC	JX81C	—
JVM1540DMBB	JX81C	JX41
JNM1541SMSS	JX81C	JX41
JNM1541DMWW	JX81C	JX40
JNM1541DMCC	JX81C	—
JNM1541DMBB	JX81C	JX41
JVM1740SMSS	JX81A	—
JVM1740DMWW	JX81A	JX48WH
JVM1740DMCC	JX81A	—
JVM1740DMBB	JX81A	JX48BL
JVM1750SMSS	JX81A	JX48BL
JVM1750DMWW	JX81A	JX48WH
JVM1750DMCC	JX81A	—
JVM1750DMBB	JX81A	JX48BL
JVM1850SMSS	JX81B	JX52BL
JVM1850DMWW	JX81B	JX52WH
JVM1850DMCC	JX81B	—
JVM1850DMBB	JX81B	JX52BL
JNM1851SMSS	JX81B	JX52BL
JNM1851DMWW	JX81B	JX52WH
JNM1851DMCC	JX81B	—
JNM1851DMBB	JX81B	JX52BL

This information is not intended to be used for installing unit described. Before installing, consult installation instructions packed with product/kit for current dimensional data.



Advanced Performance

Rely on the GE CircuWave™ 1100 system to assure delicious, consistent results time after time.



Distinguished Appearance

Clean and contemporary, the new design has softer edges and curved surfaces to complement any kitchen.



Remarkable Versatility

Heat one, two or even three casserole dishes at the same time. Two removable oven racks create three full levels of cooking.



A Century of Quality and Innovation

For more than a century, GE has been committed to producing innovative products that change the way people live. The result of thorough research and rigorous testing, GE appliances are designed for years of dependable performance. Today, the GE tradition of quality and innovation continues.